



TOYOTA

ALWAYS A
BETTER WAY

Venza

Hood Protector

Installation Instructions

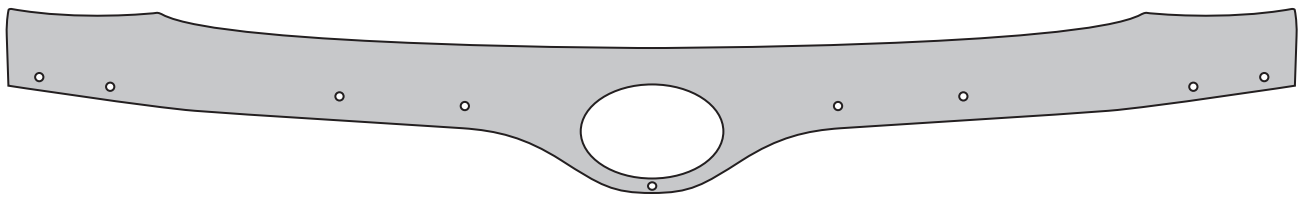
Model year: 2013/04
Vehicle code: **V10**-AW****
Part number: PU500-0T09E

Manual reference number: AIM 002 748-1

Revision record

Rev. No.	Date	Page	Picture	Update	New	Deleted steps
1	28.02.2013	2		Part Number		

PU500-0T09E



A

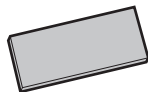
1x

PU500-0T09E-HW



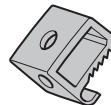
B

6x



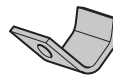
C

9x



D

5x



E

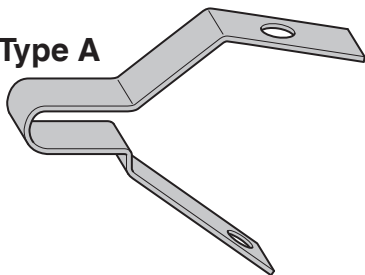
5x



F

5x

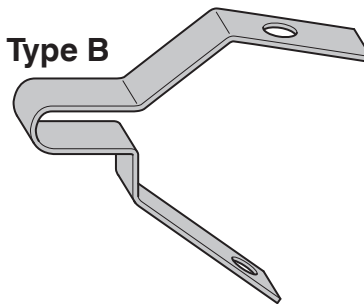
Type A



G

2x

Type B



2x



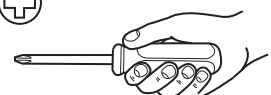
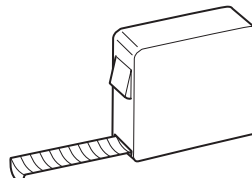
H

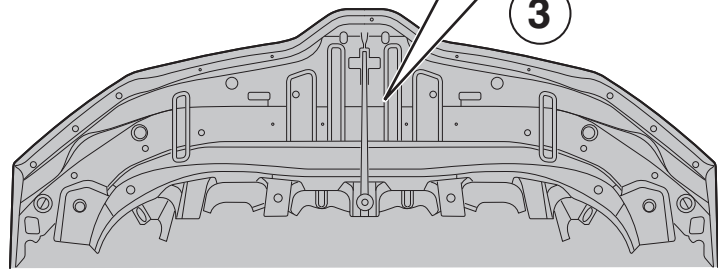
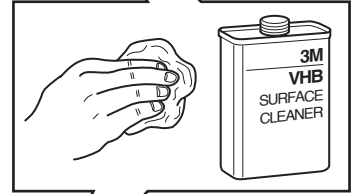
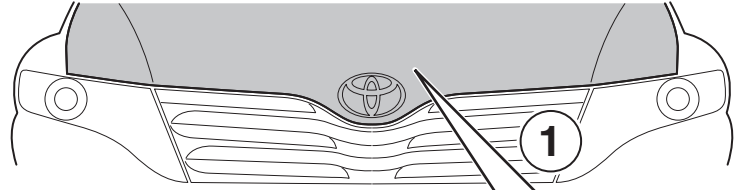
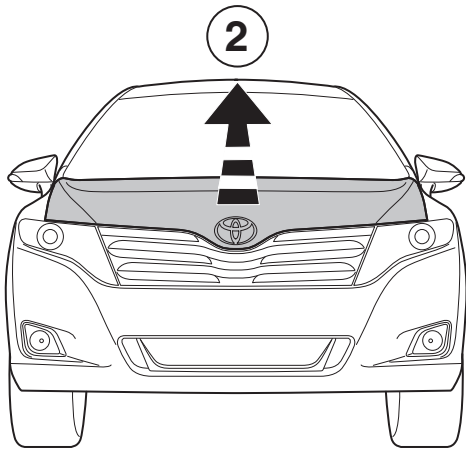
8x



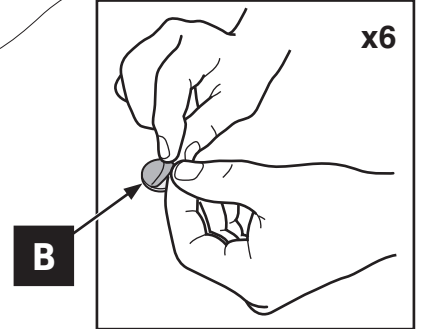
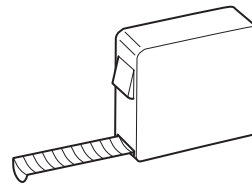
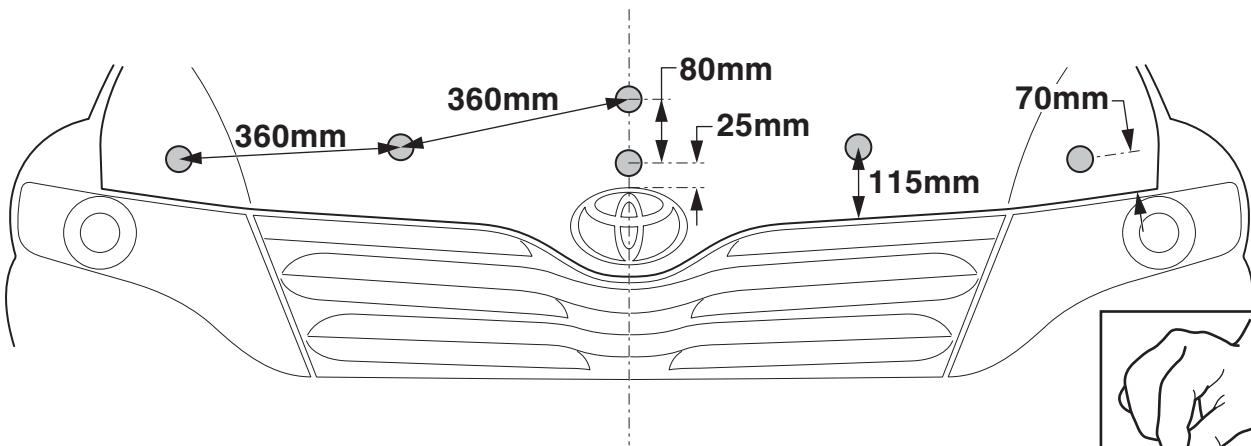
I

5x

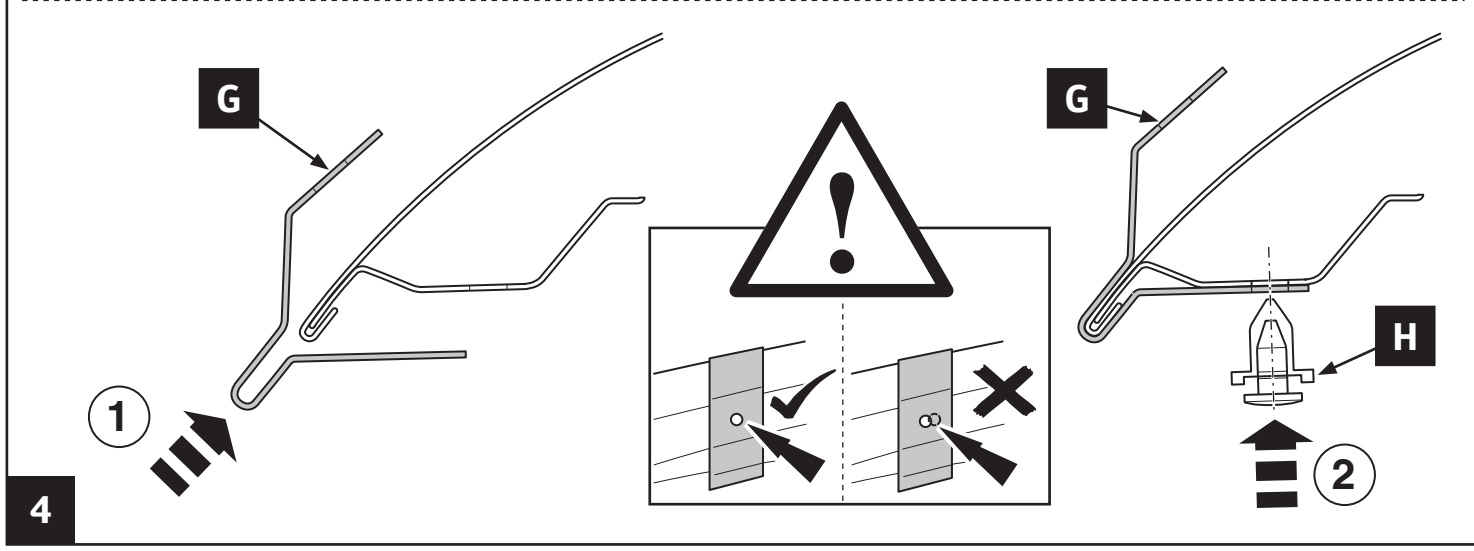
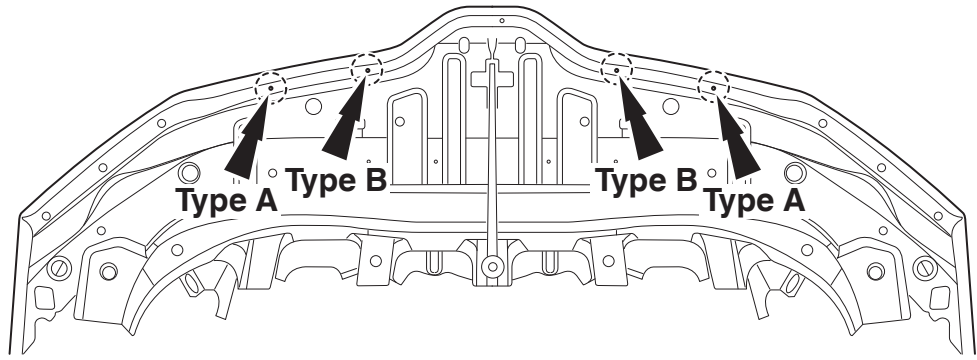
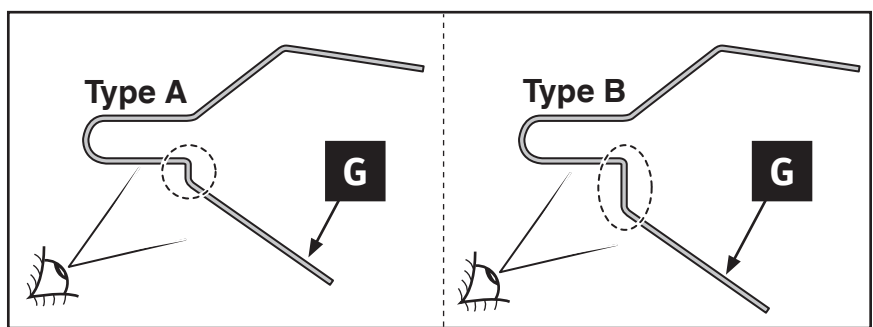
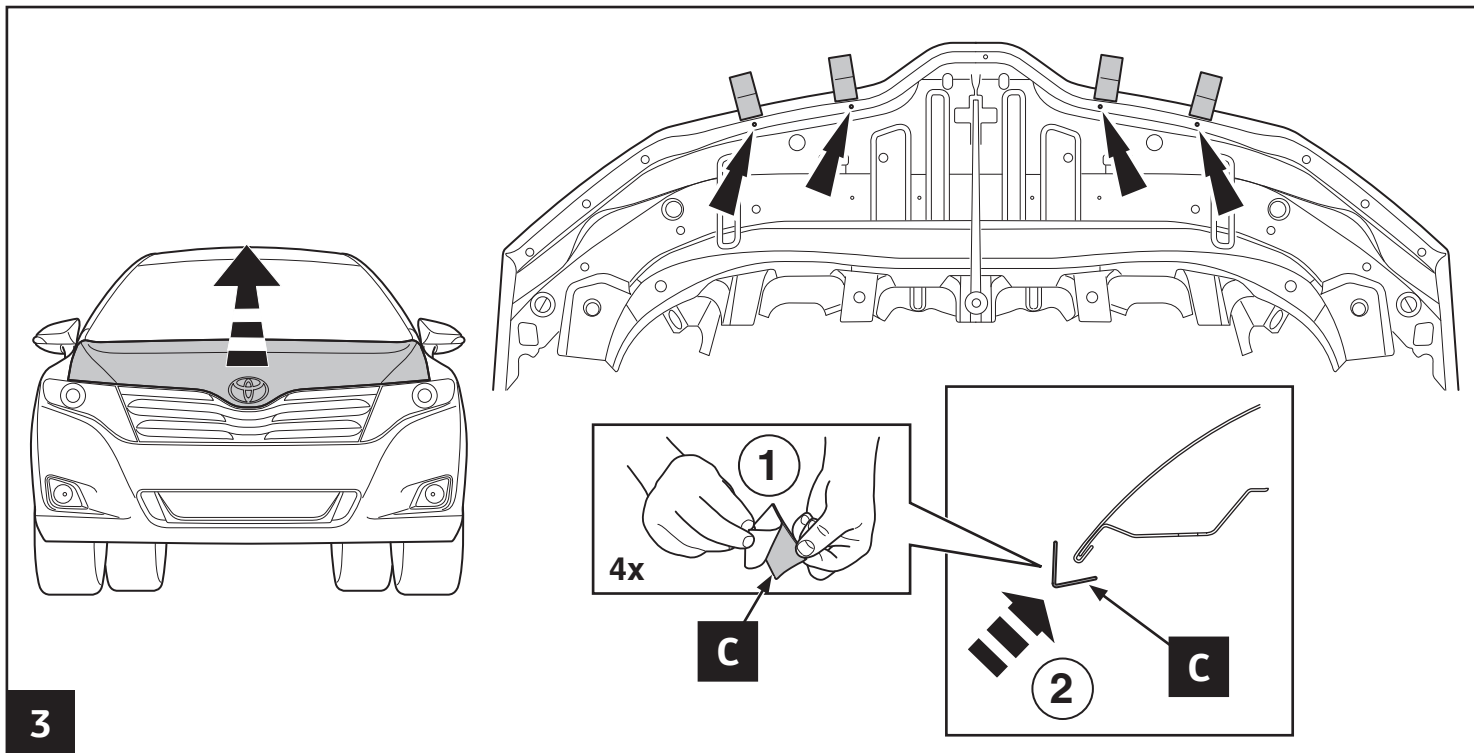


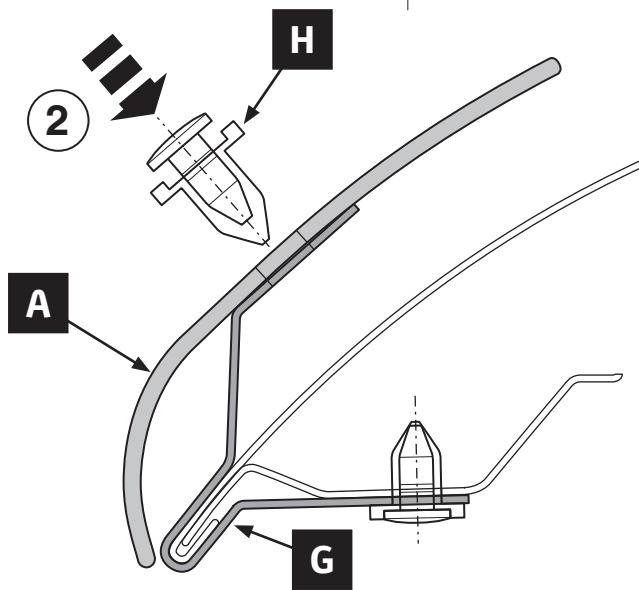
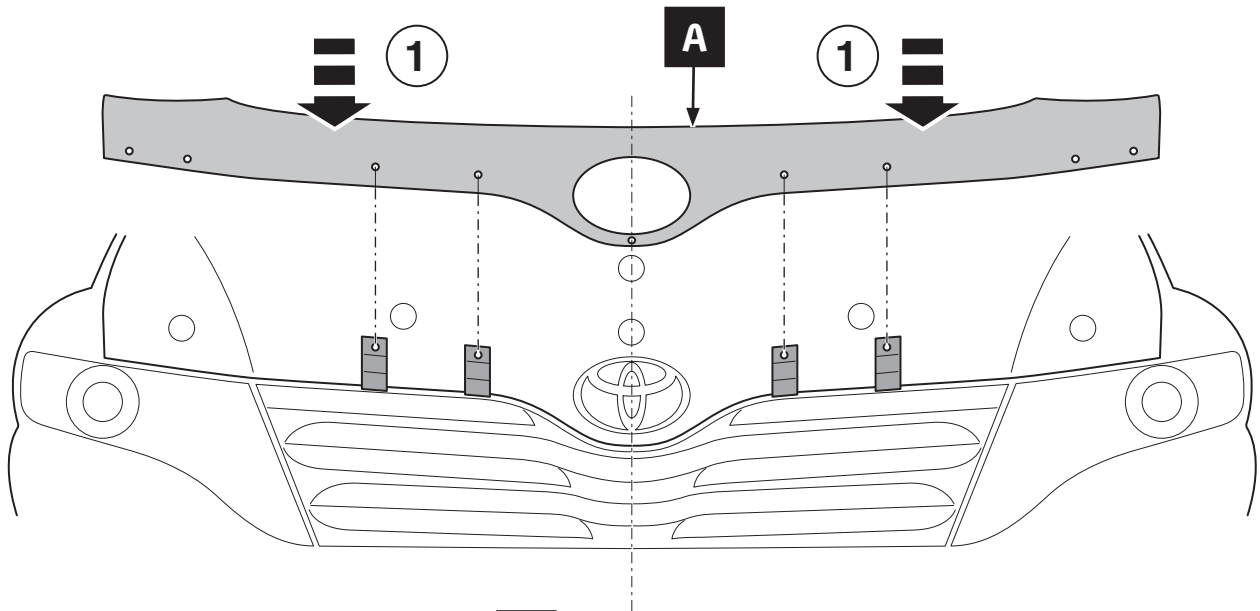


1

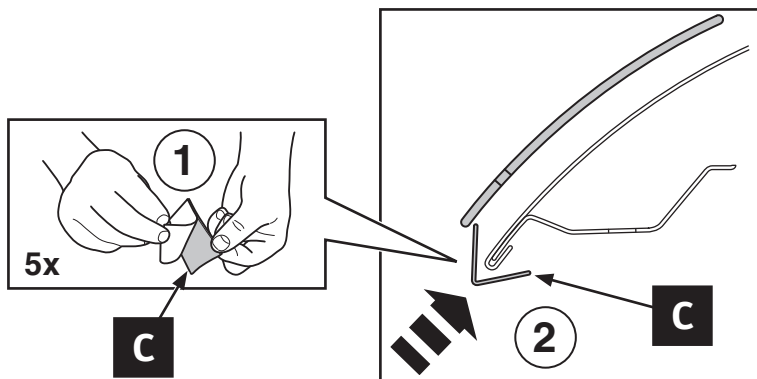
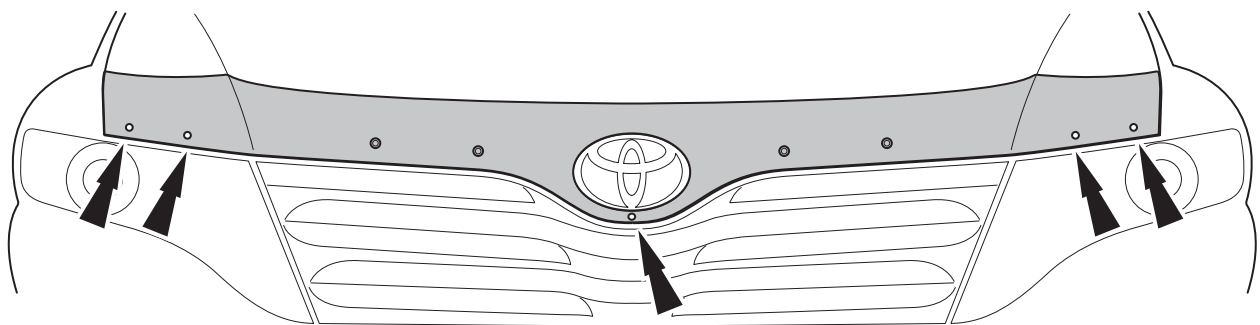


2

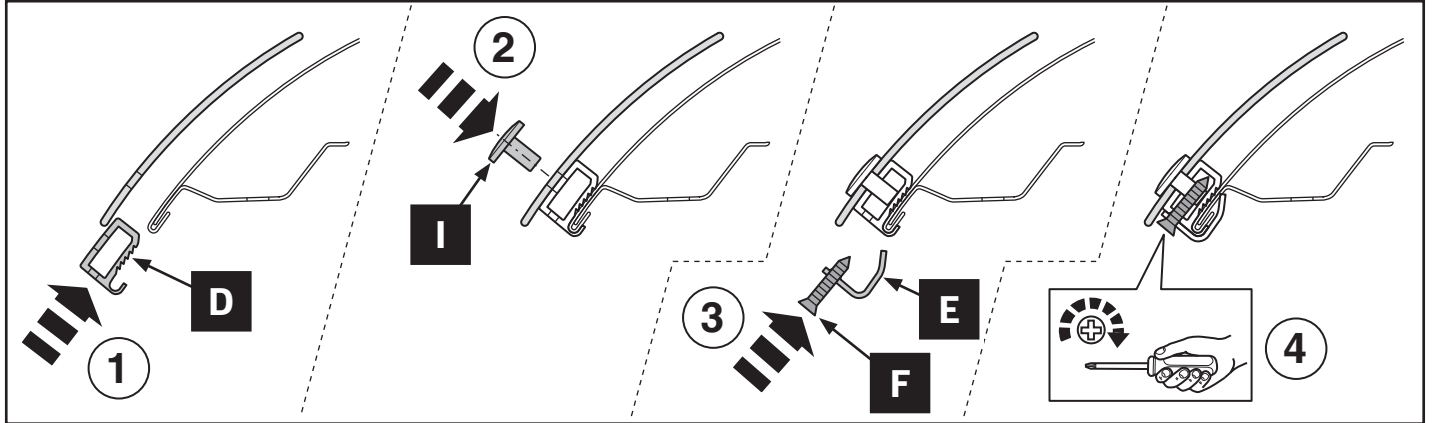
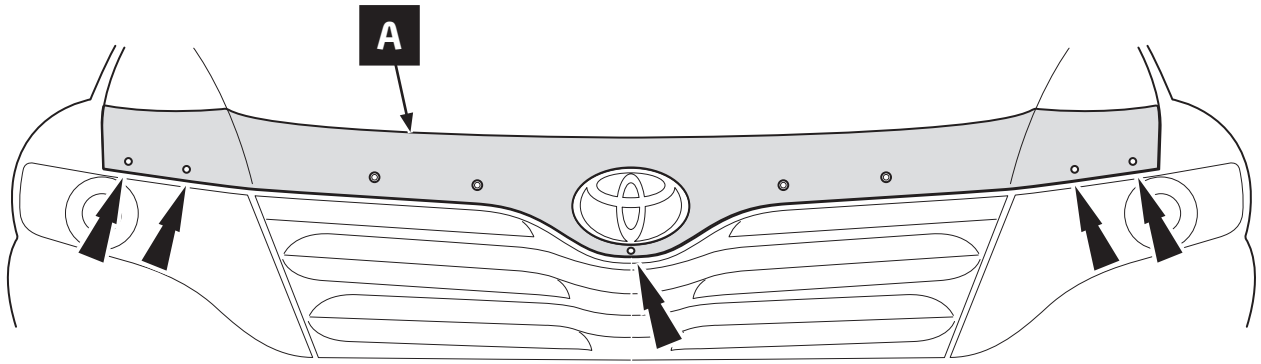




5



6



7