



TOYOTA

ALWAYS A
BETTER WAY

Toyota C-HR

Rear underguard

Installation instructions

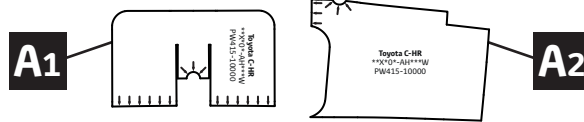
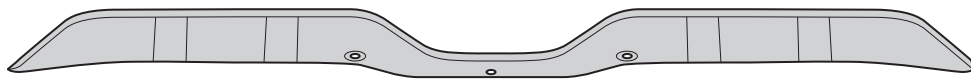
Model year: 2016/10
Vehicle code: **X*O*-AH***W
Part number: PW415-10000

Manual reference number: AIM 003 847 - 0

Revision Record

Rev. No.	Date	Page	Picture	Update	New	Deleted steps

PW415-10000

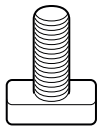


A

1x

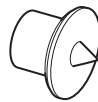
PW415-10001

B



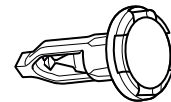
4x

C



4x

D



3x

E



4x

F



4x

G

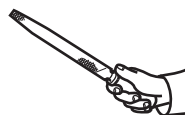
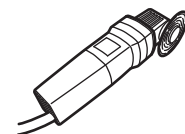
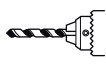


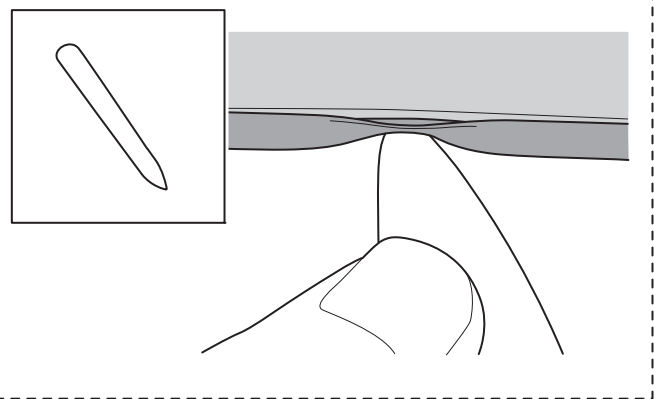
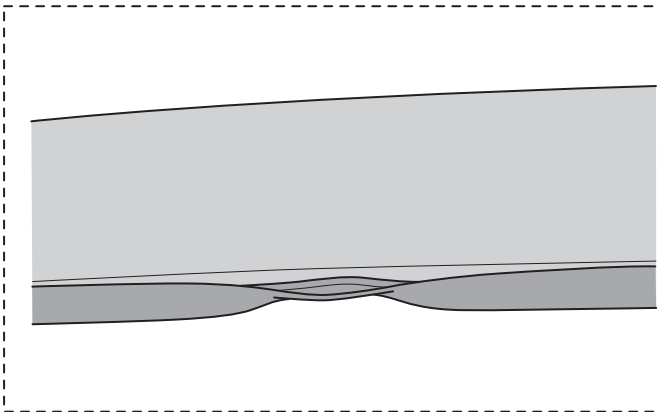
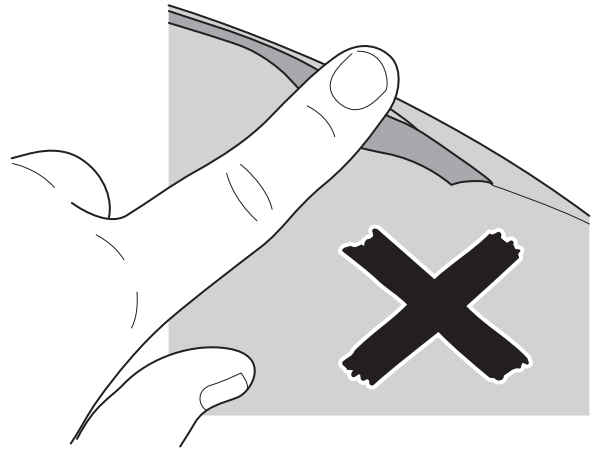
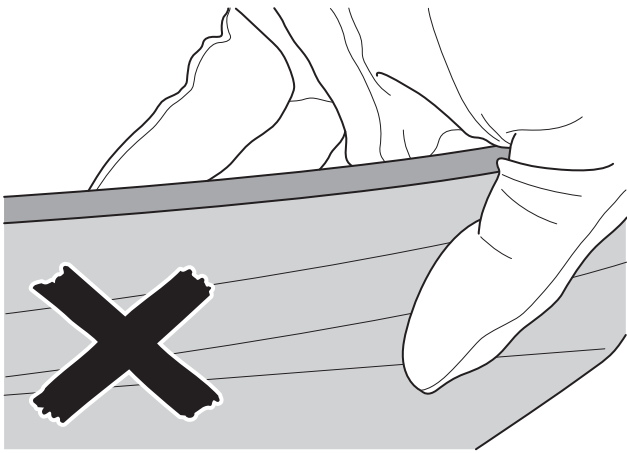
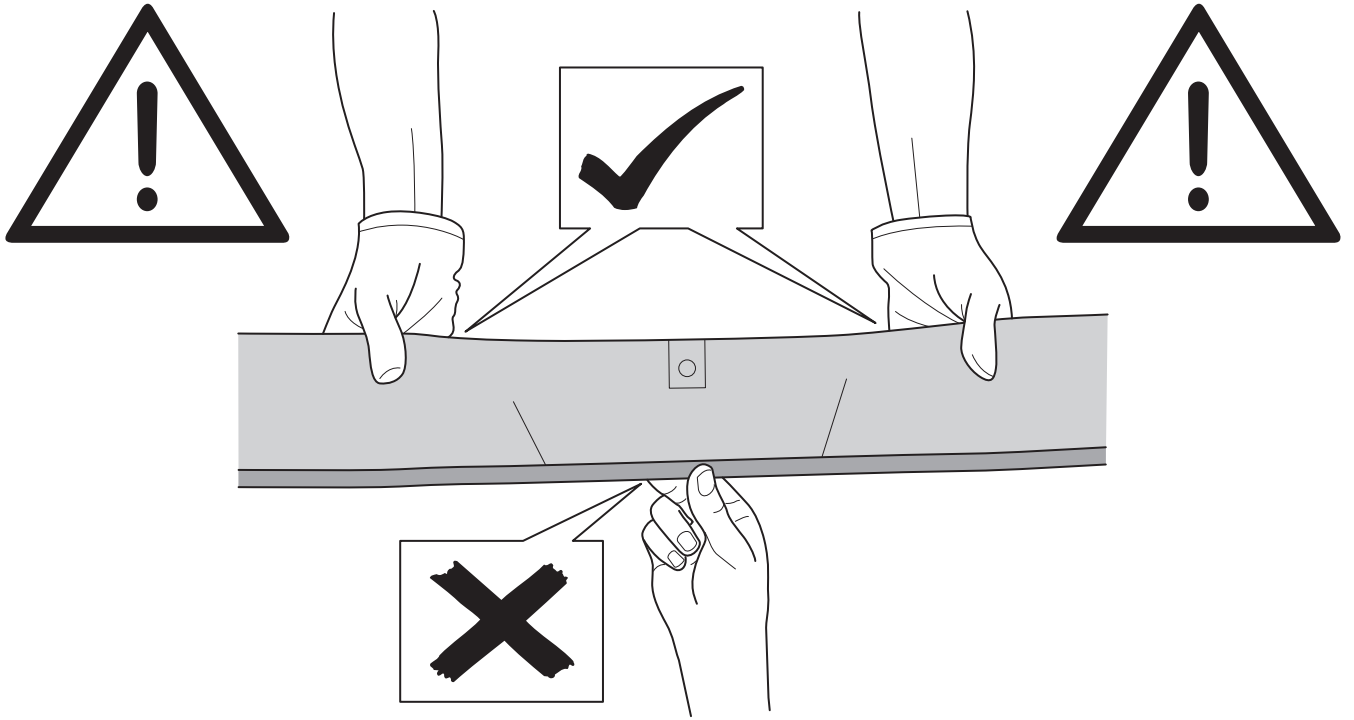
2x

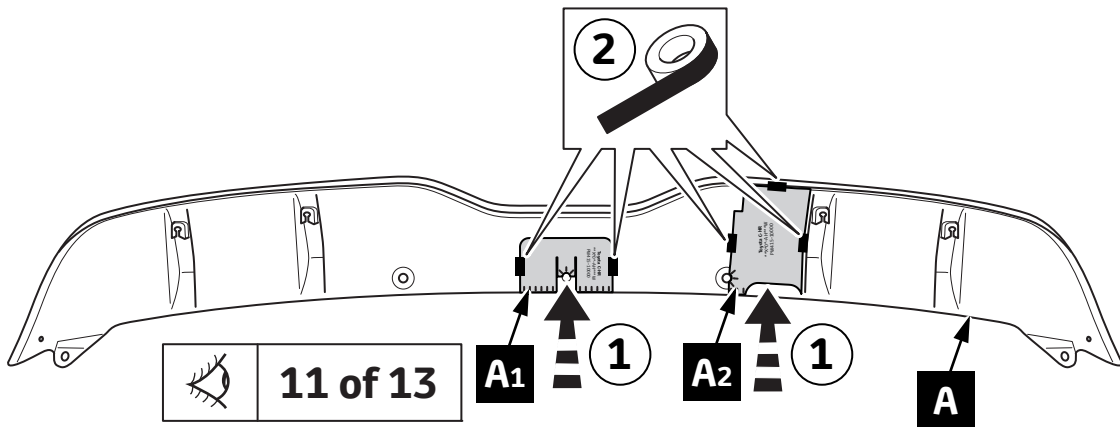
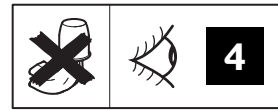
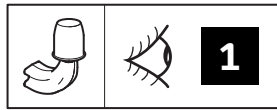
10 mm



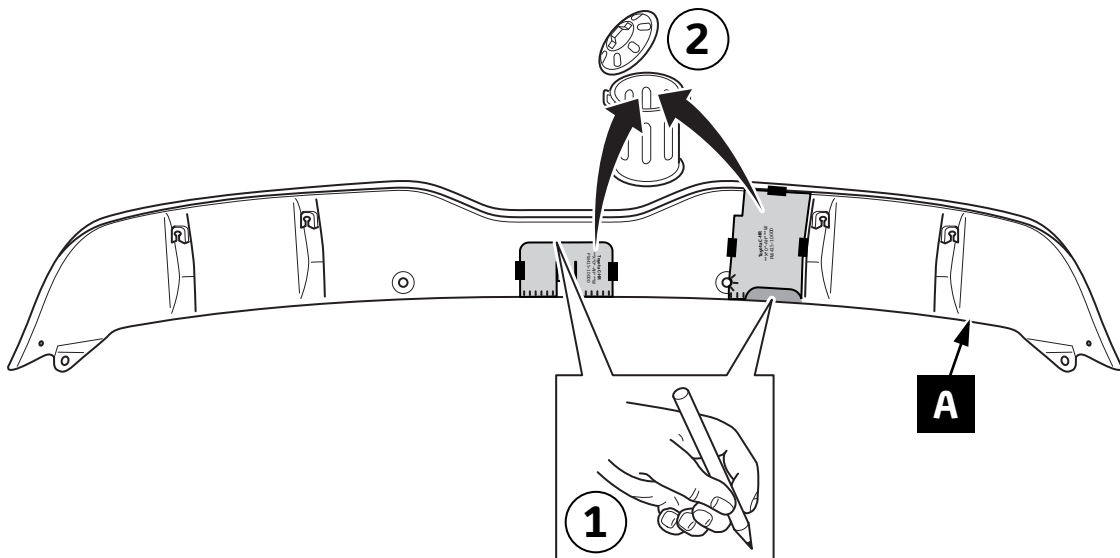
Ø 3,5 mm
Ø 6 mm
Ø 9 mm



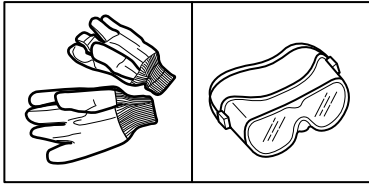




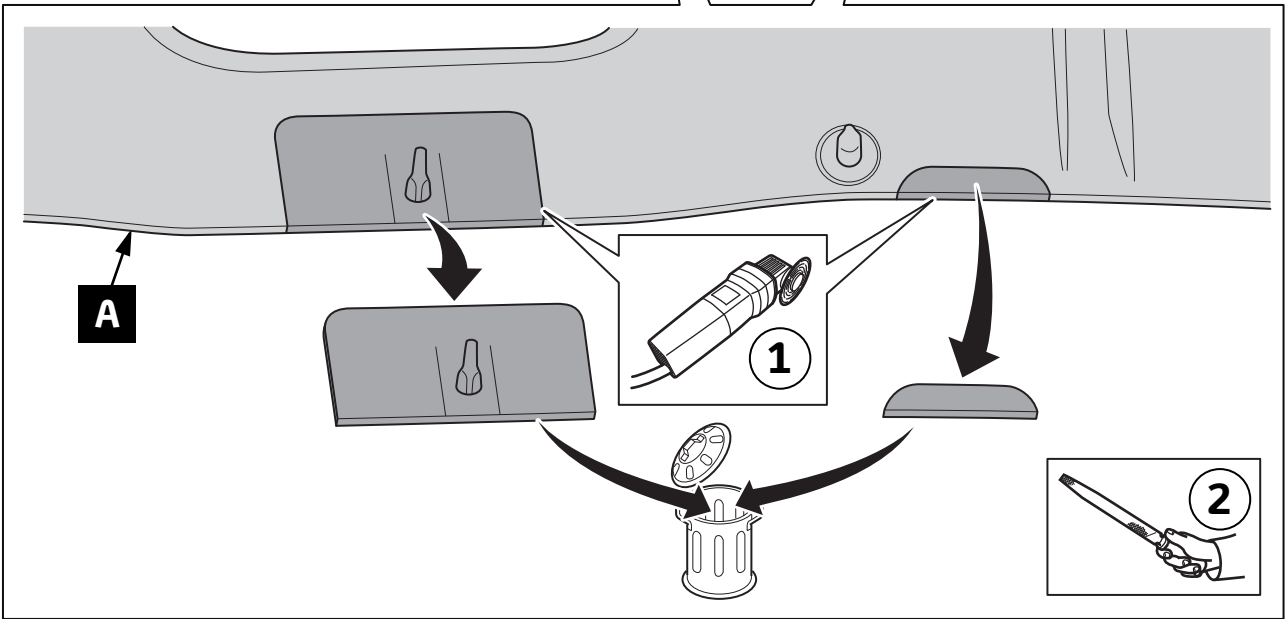
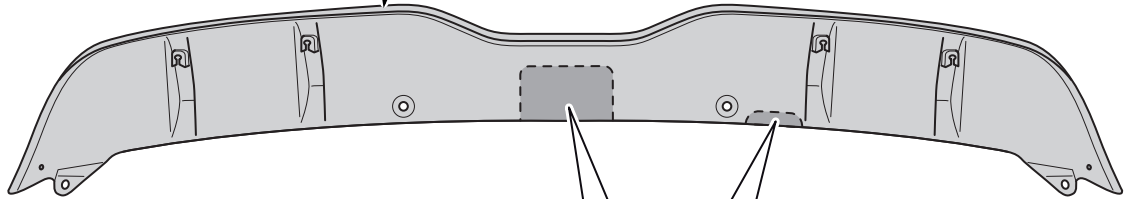
1



2

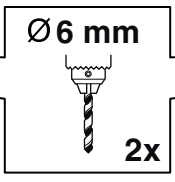
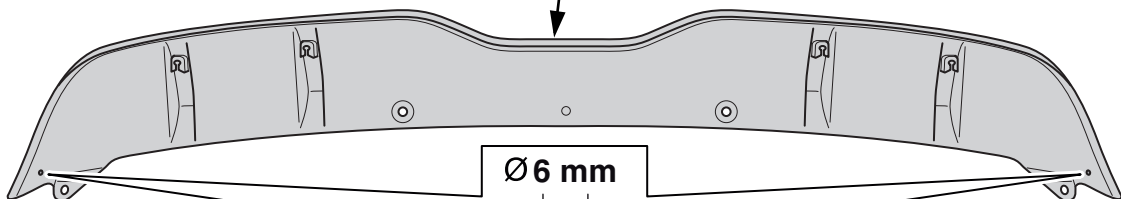


A

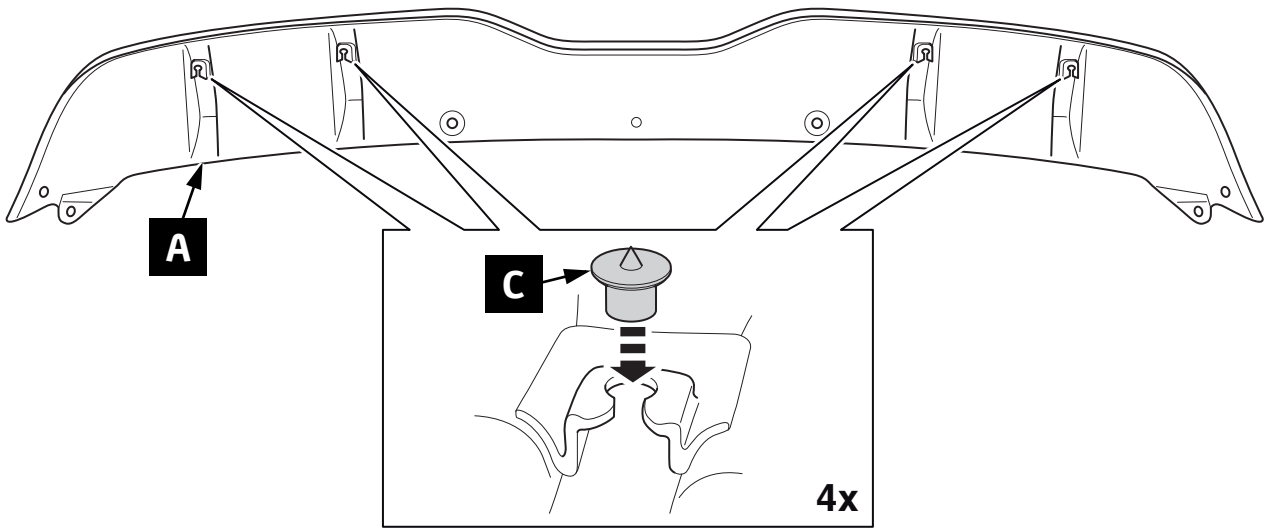


3

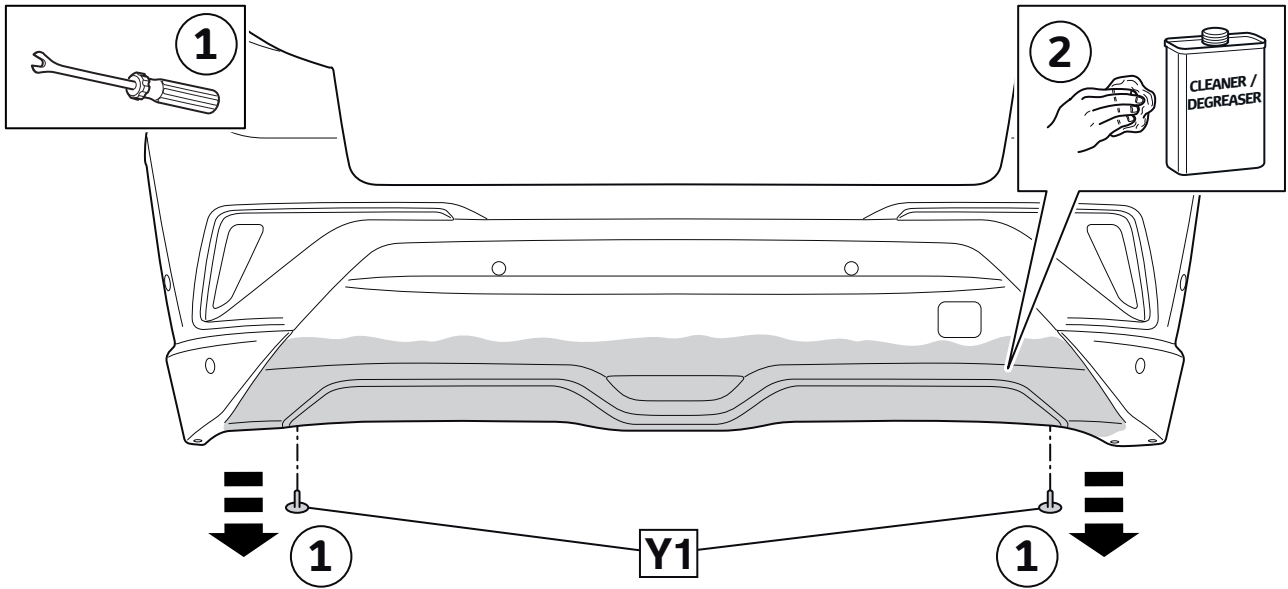
A



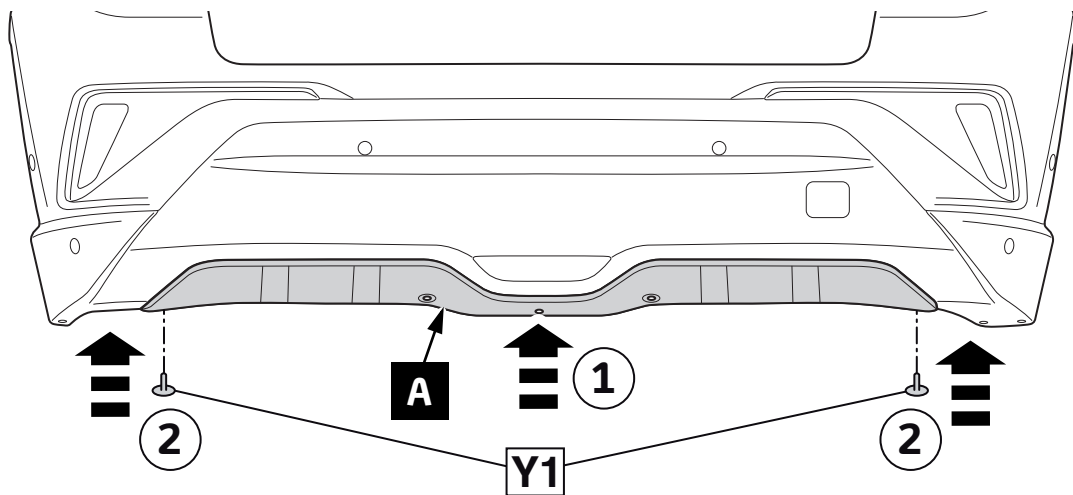
4



5

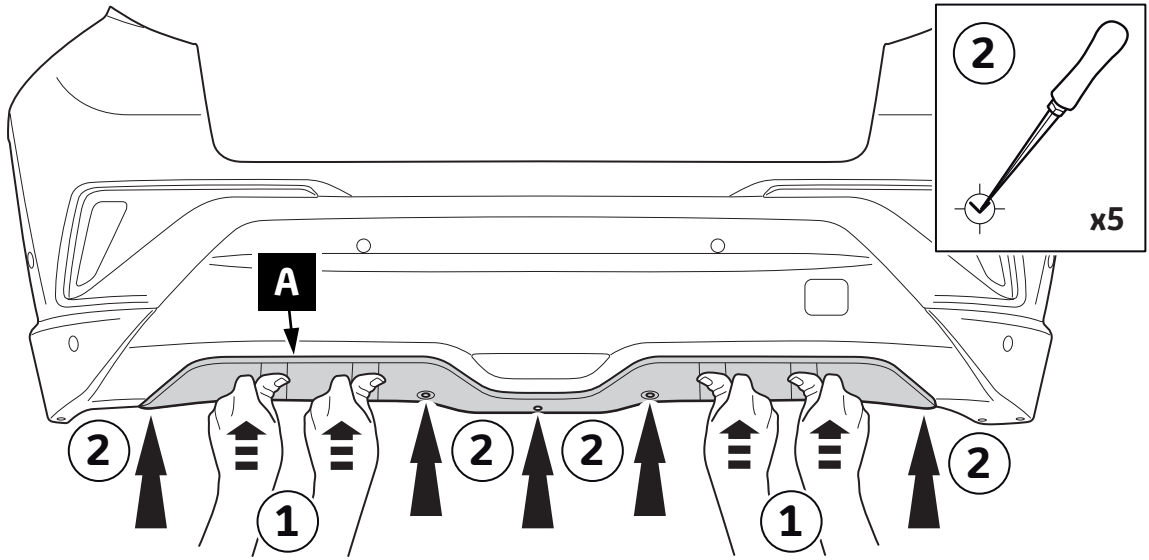


6

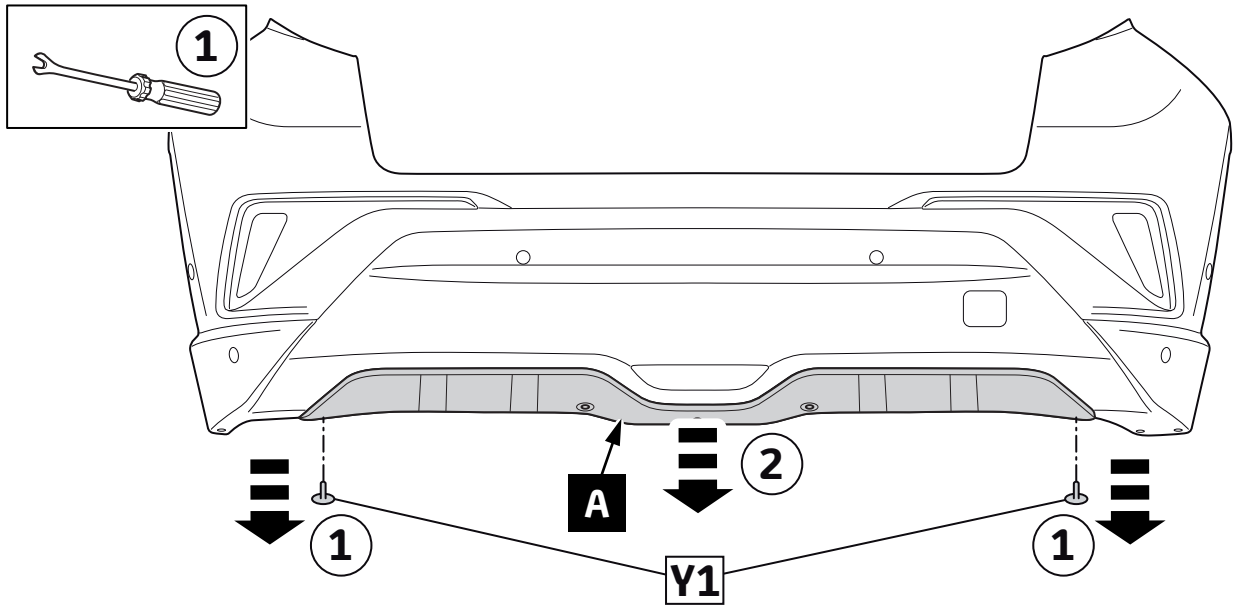


7

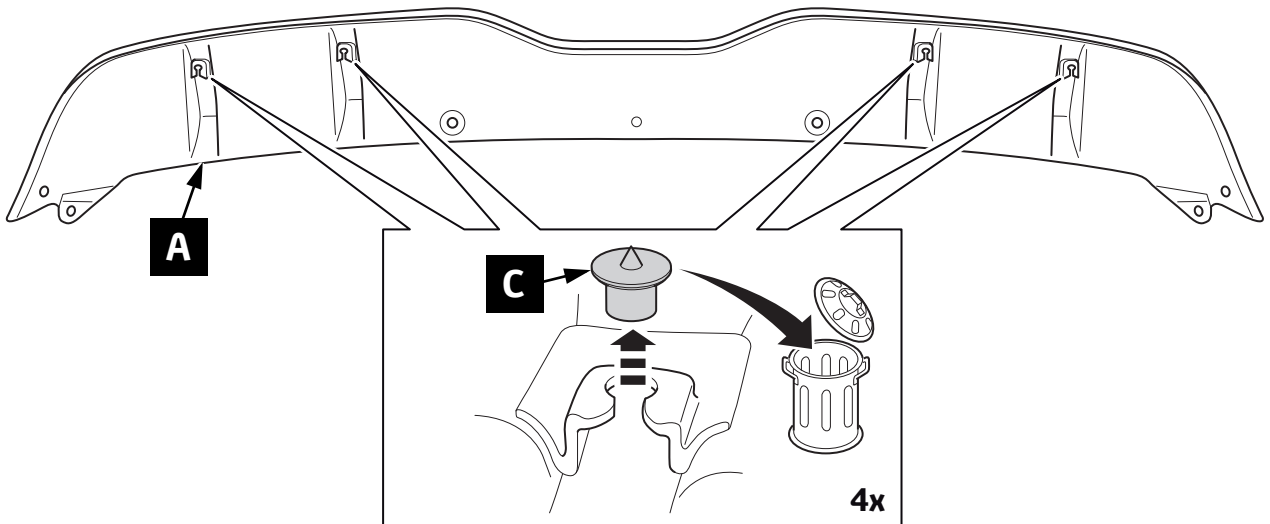
8



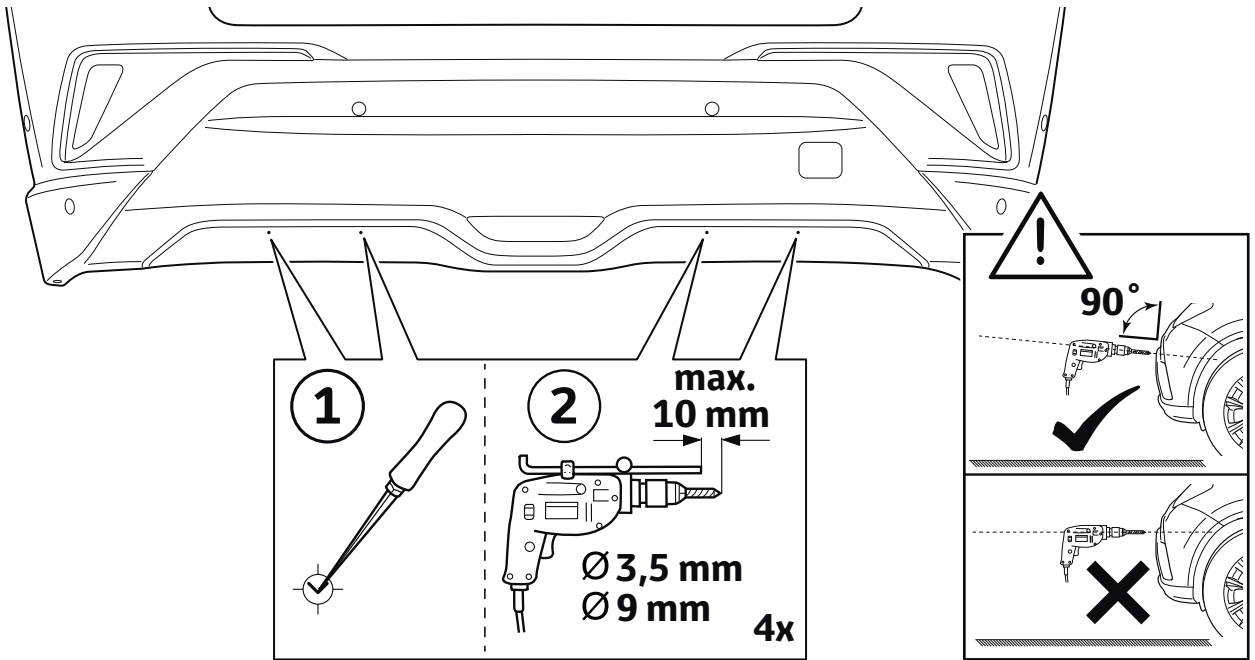
9



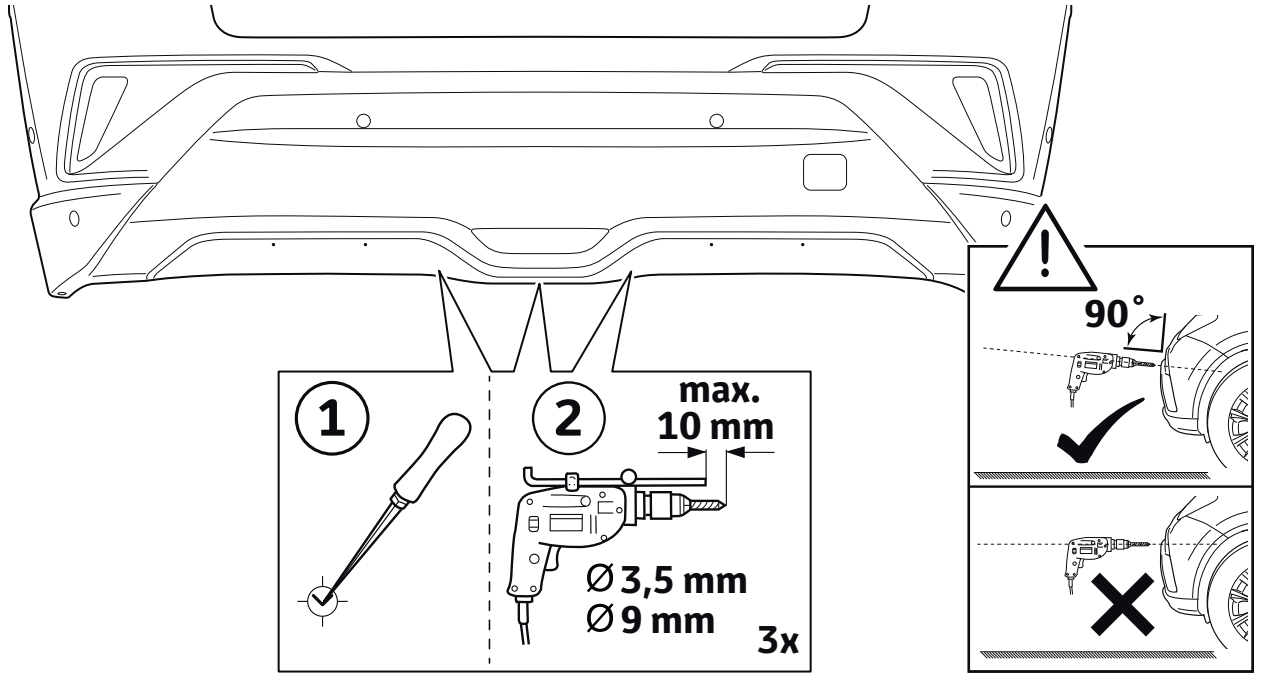
10



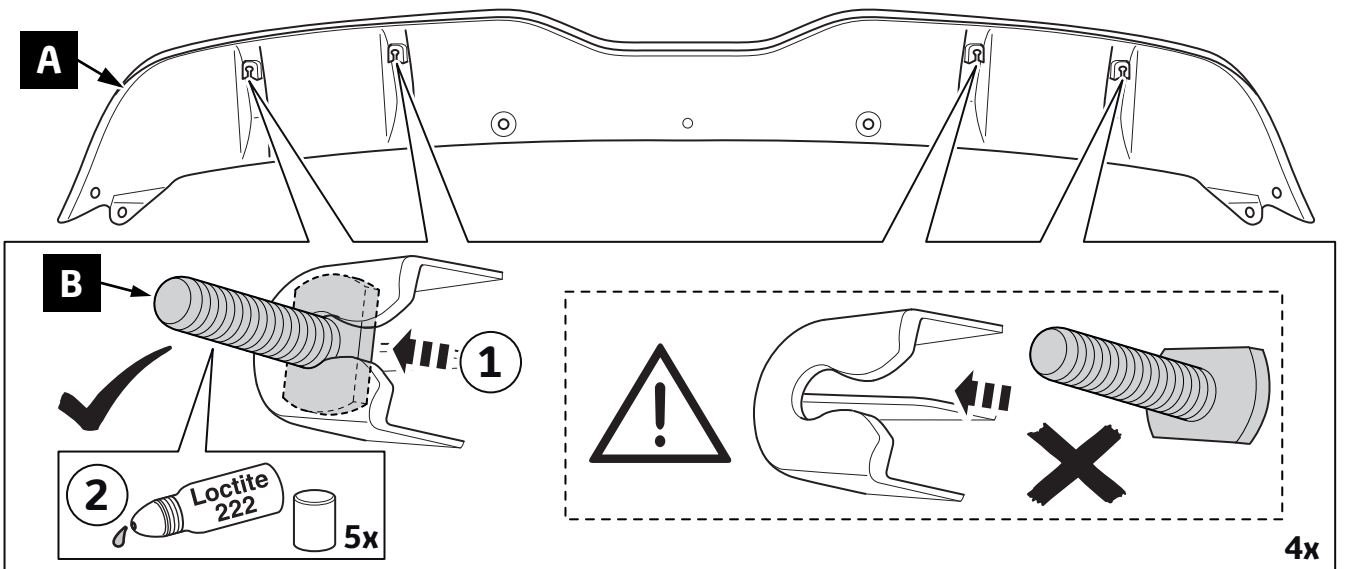
11

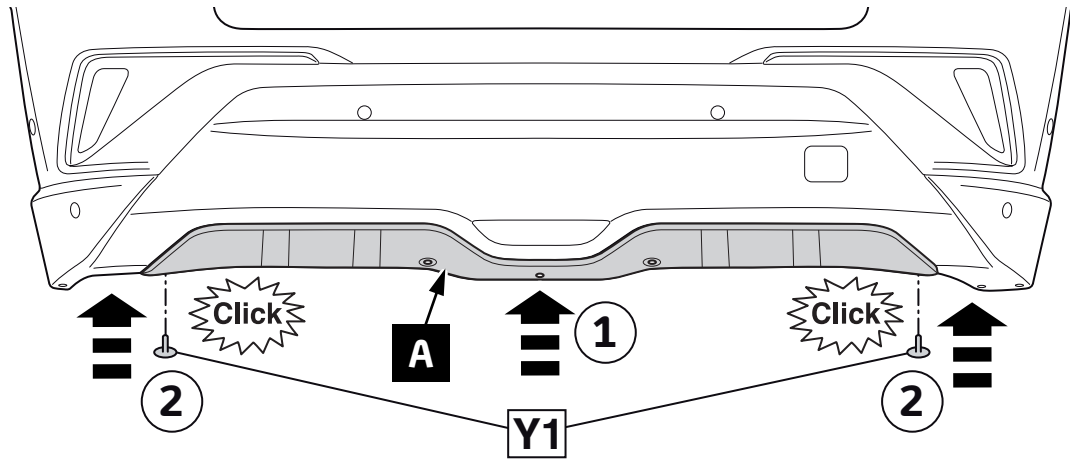


12

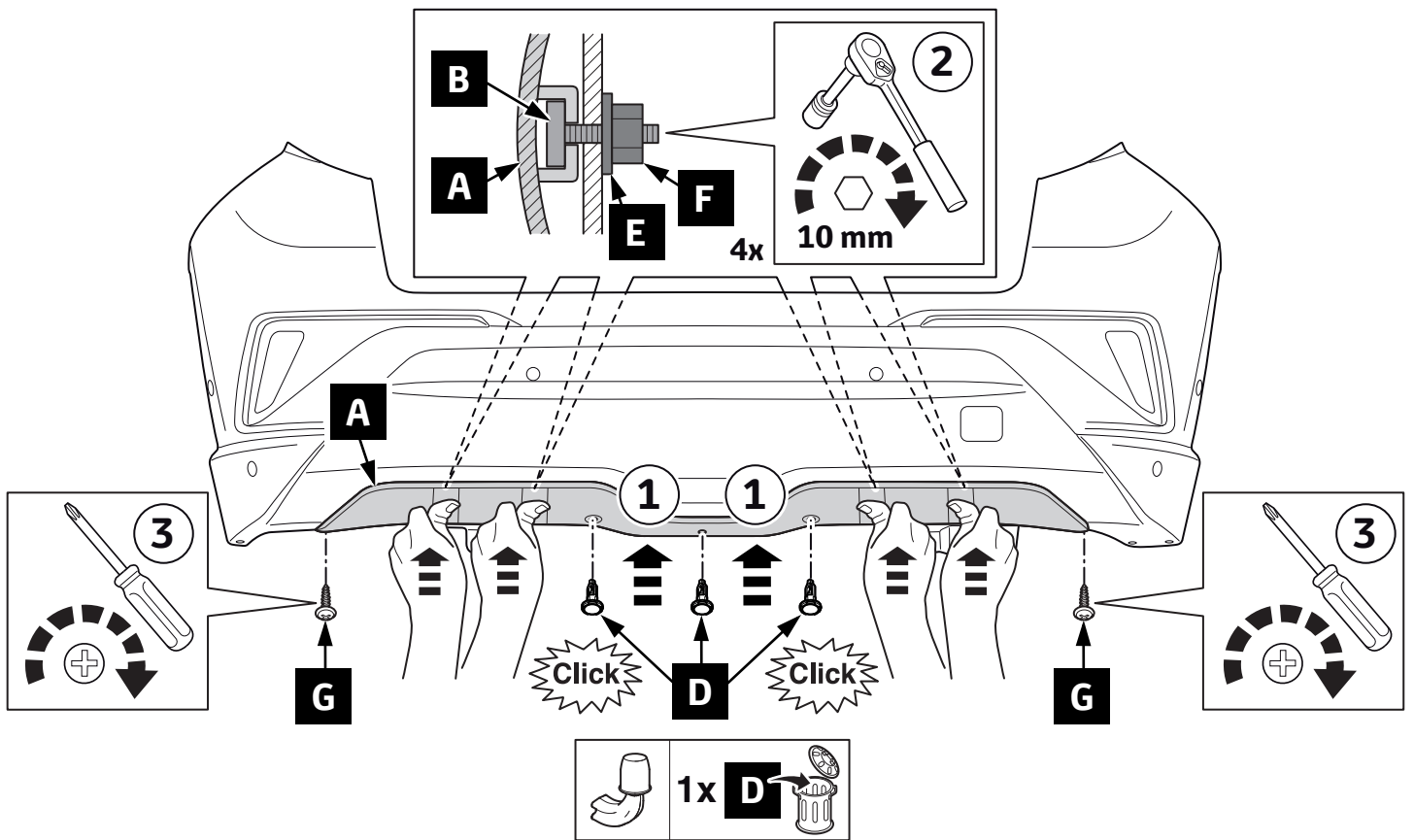


13

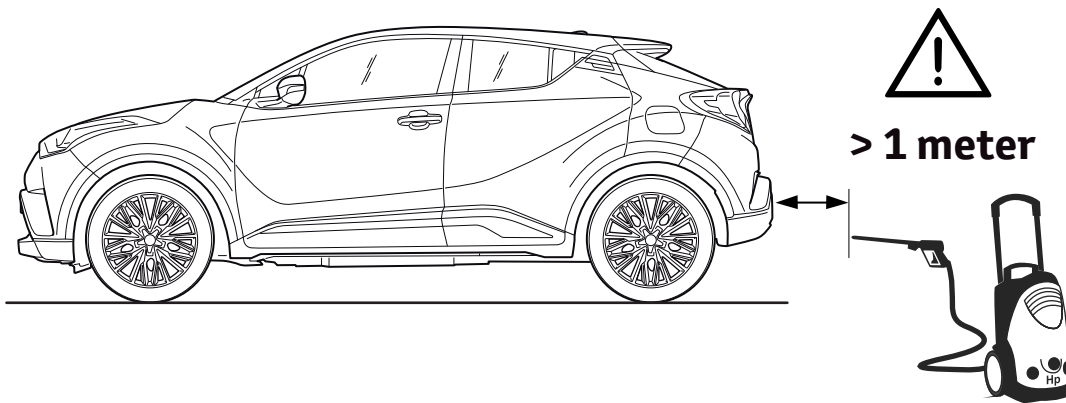


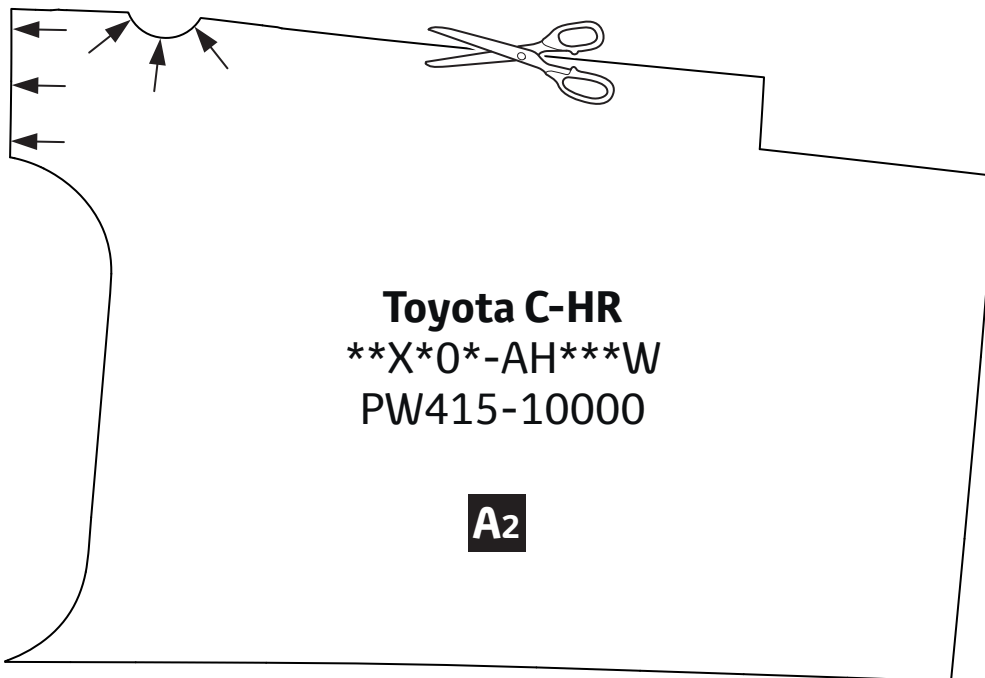
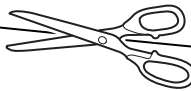
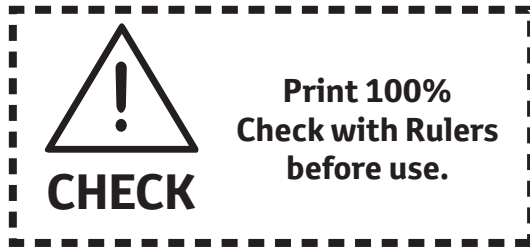
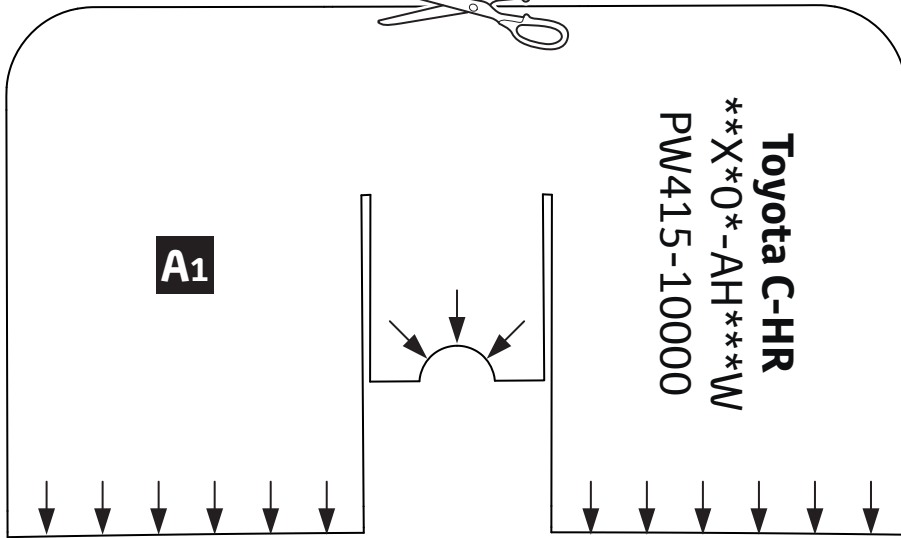
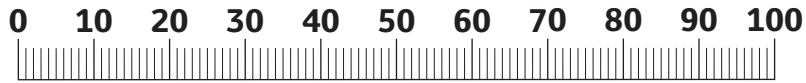


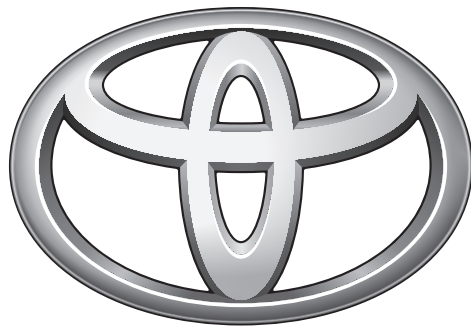
14



13







TOYOTA

CHECK SHEET

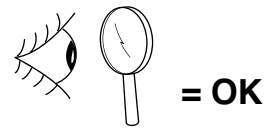
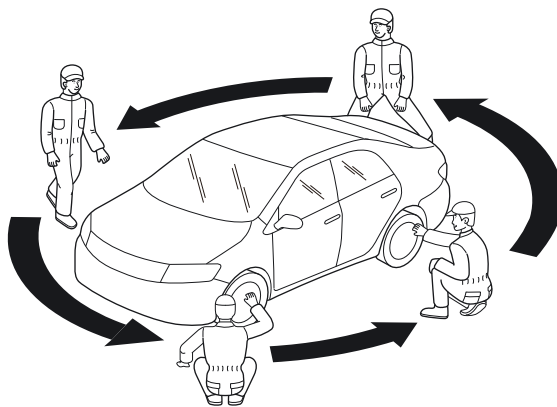
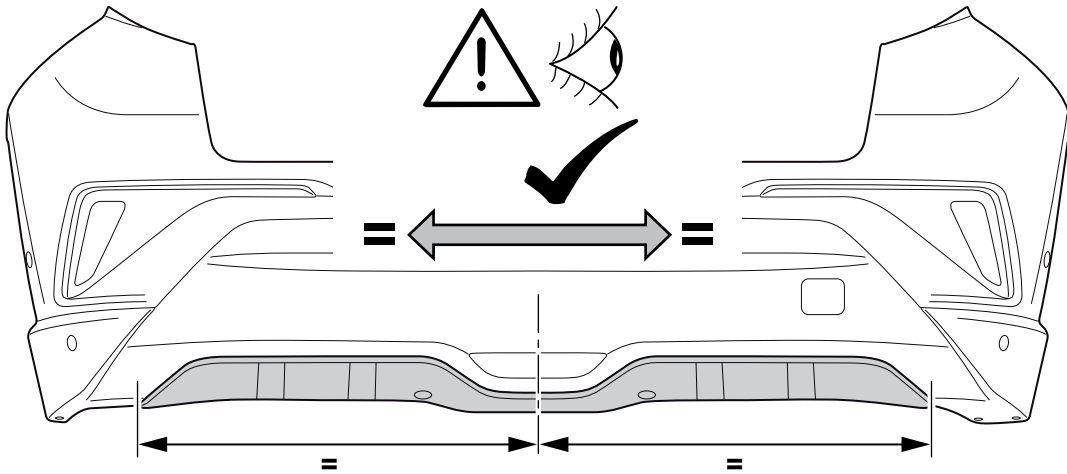
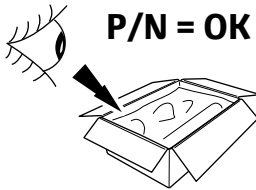


TOYOTA

Model / Year Toyota C-HR 2016/10 **Rear Underguard**

VIN n°

ALWAYS A
BETTER WAY



Installation Date:

. . / . . /

Technician Name & Signature:

Stamp: