

# Aygo X

## Back Seat Protection

### Installation Instructions

Model year: As from 2022/03

Vehicle code: KGB70\*-AH\*\*KW

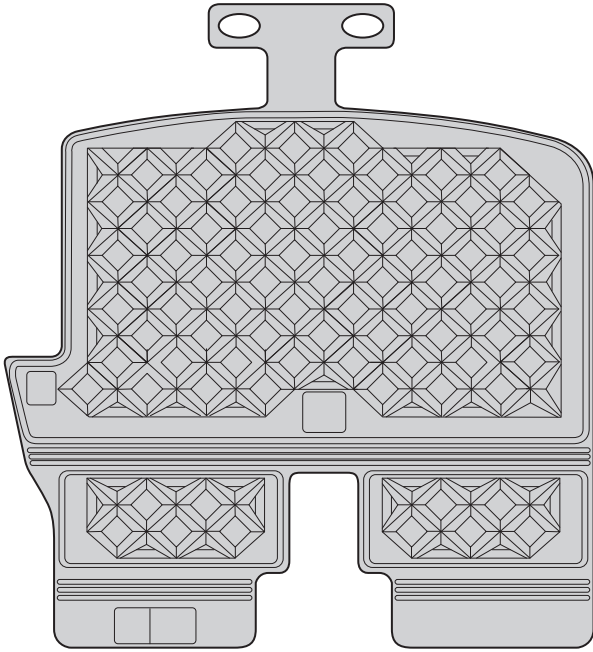
Part number: PW241-0H002

Manual reference number: AIM 006 214-0



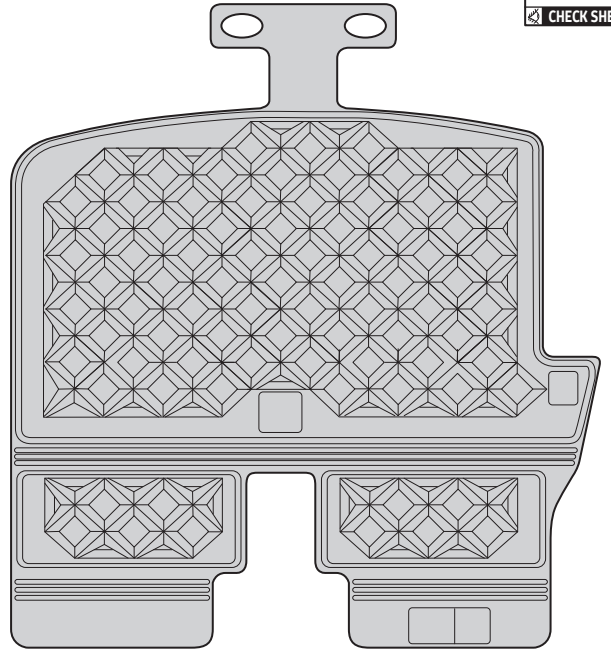
**KIT CONTENT**

**PW241-0H002**



**A**

x1



**B**

x1

60x20mm

**C1**



**C**

**VELCRO HOOK**

x14

60x20mm

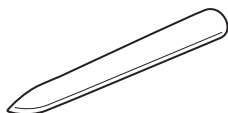
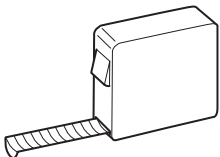
**C2**



**VELCRO LOOP**

x14

**TOOLS / CONSUMABLES & PPE**

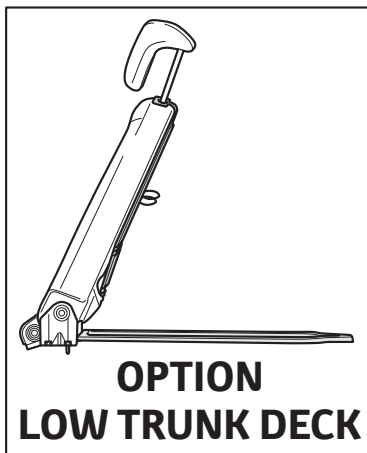
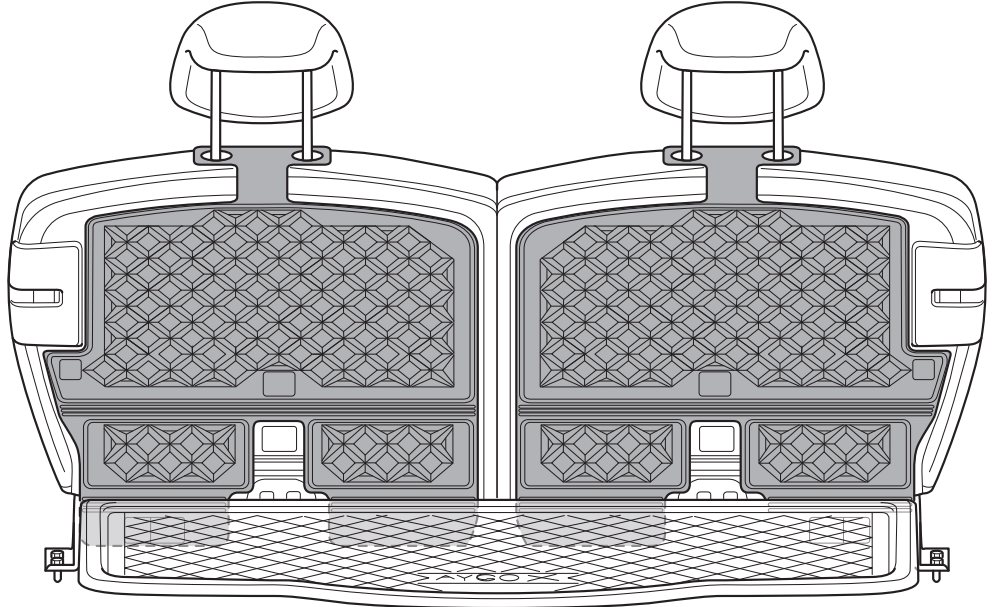


AIM 003 516-\*

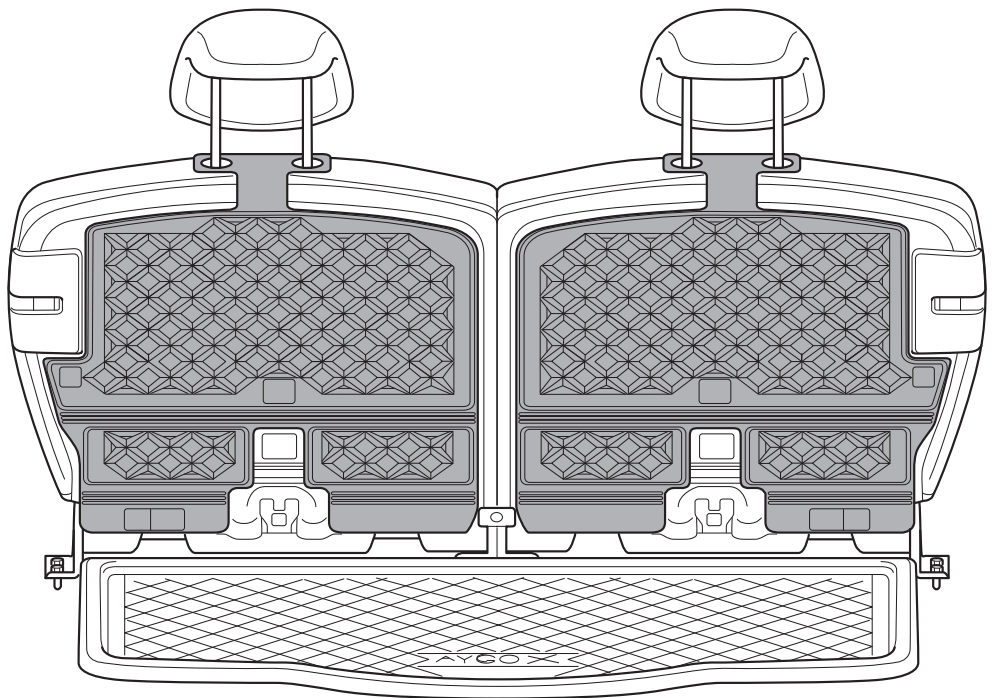
# OVERVIEW



 **1 - 7 , 15 - 16**



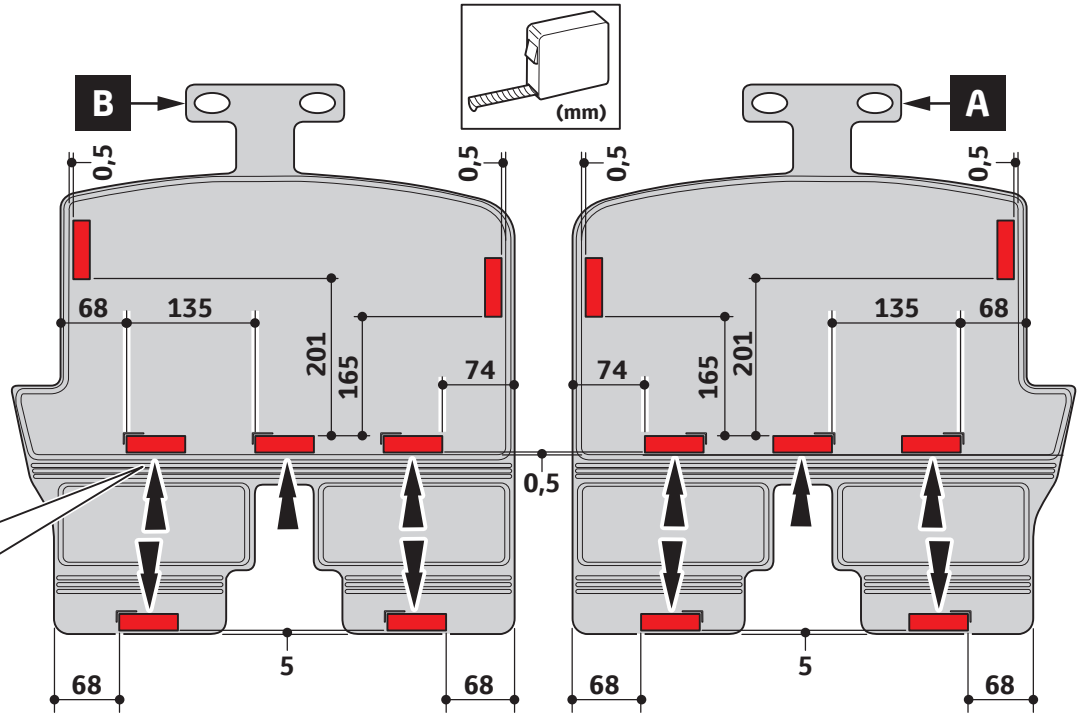
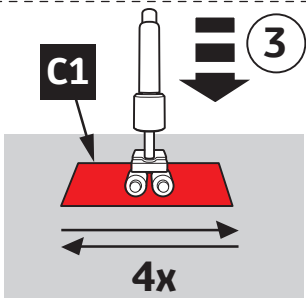
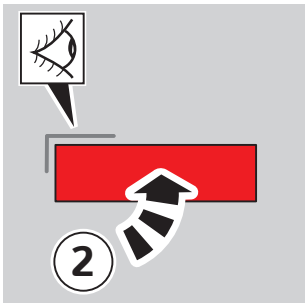
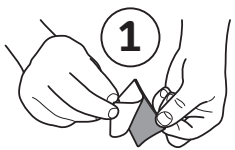
 **8 - 16**



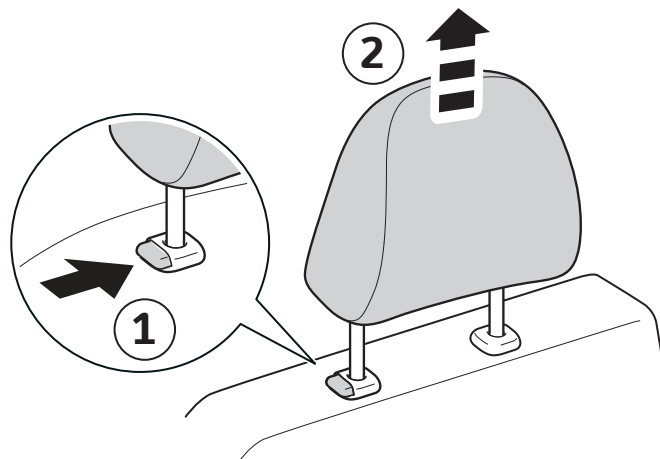
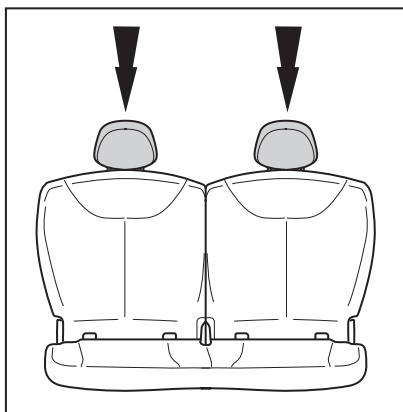
# INSTALLATION INSTRUCTIONS



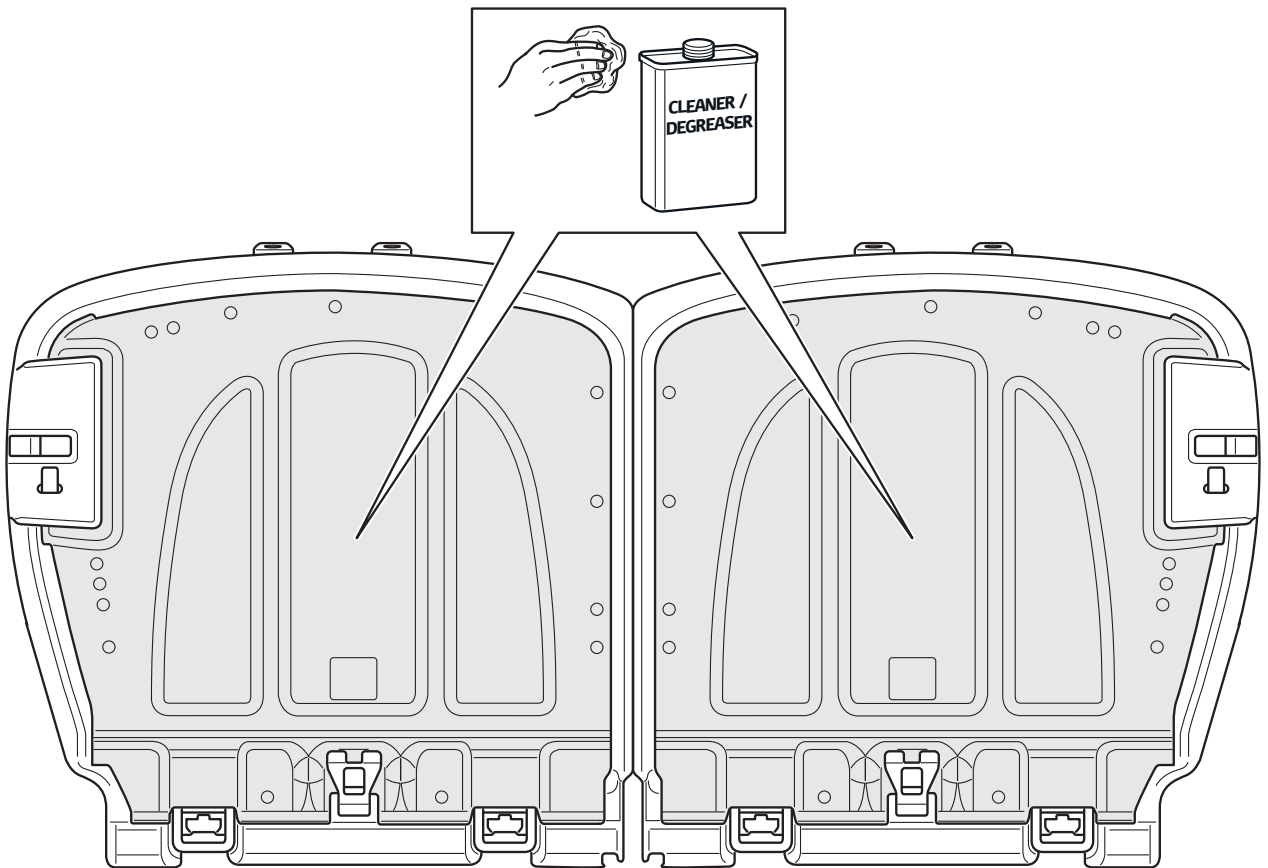
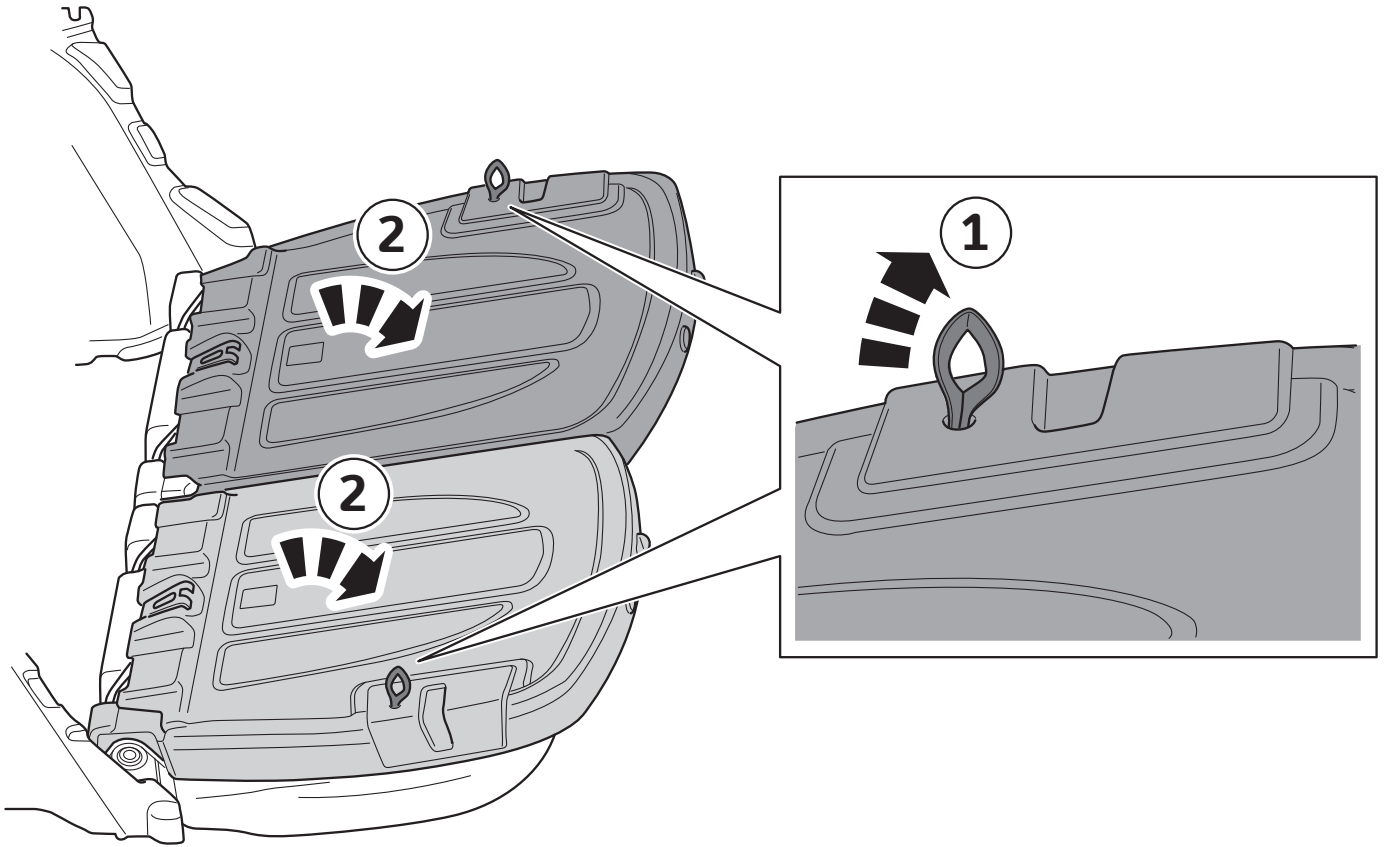
14x **C1** 60x20mm



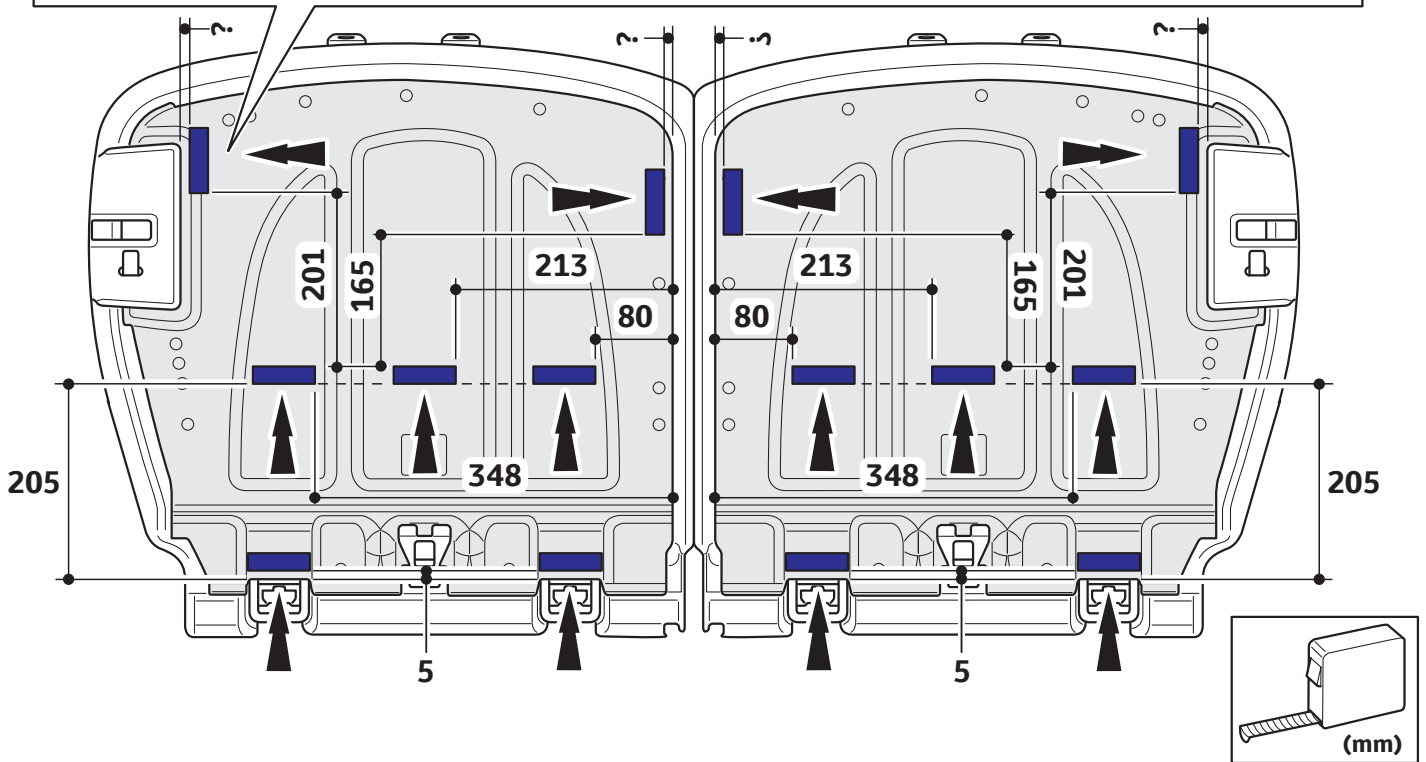
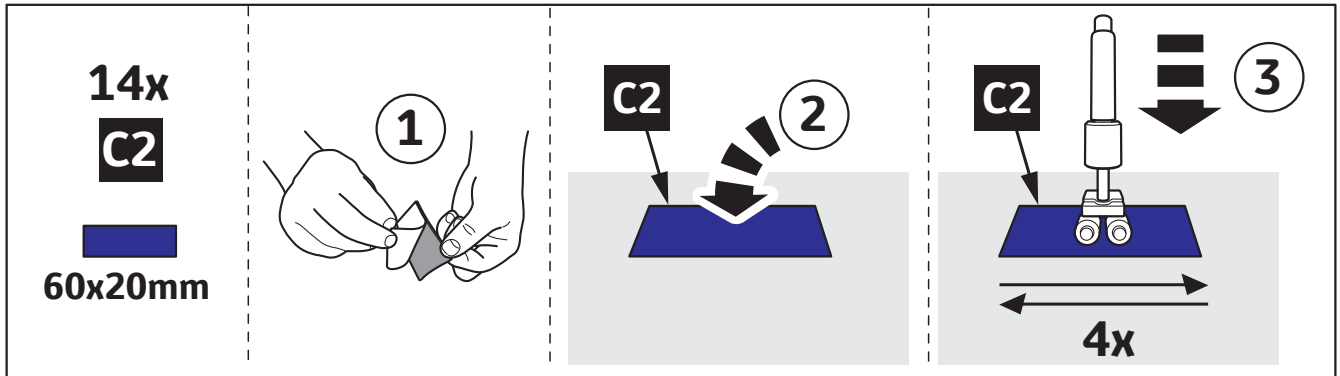
**1**



**2**

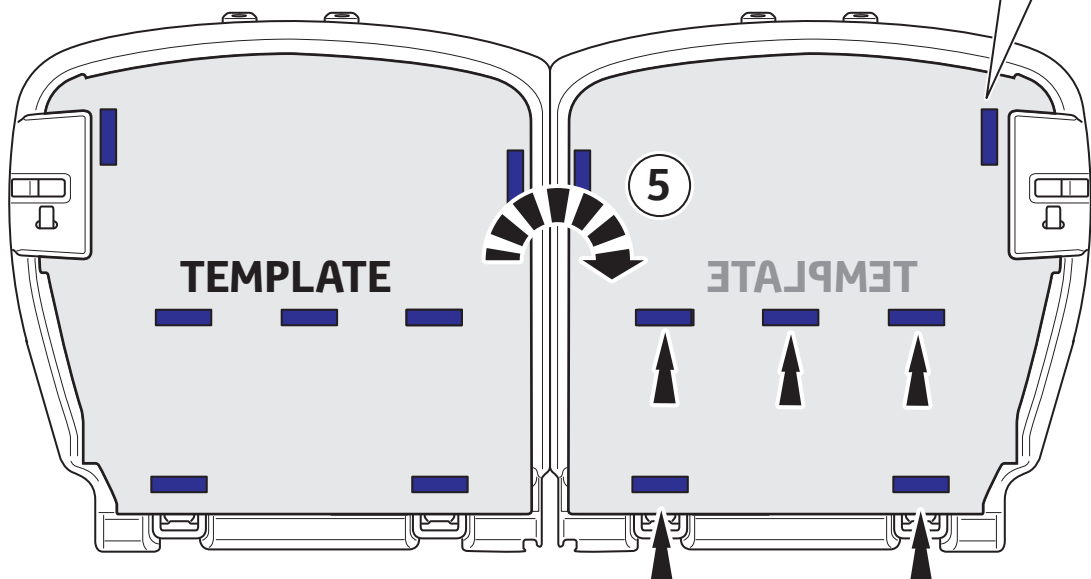
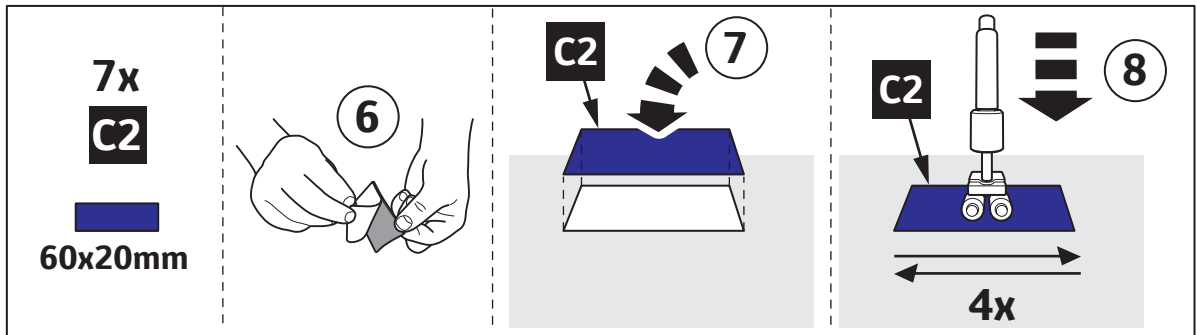
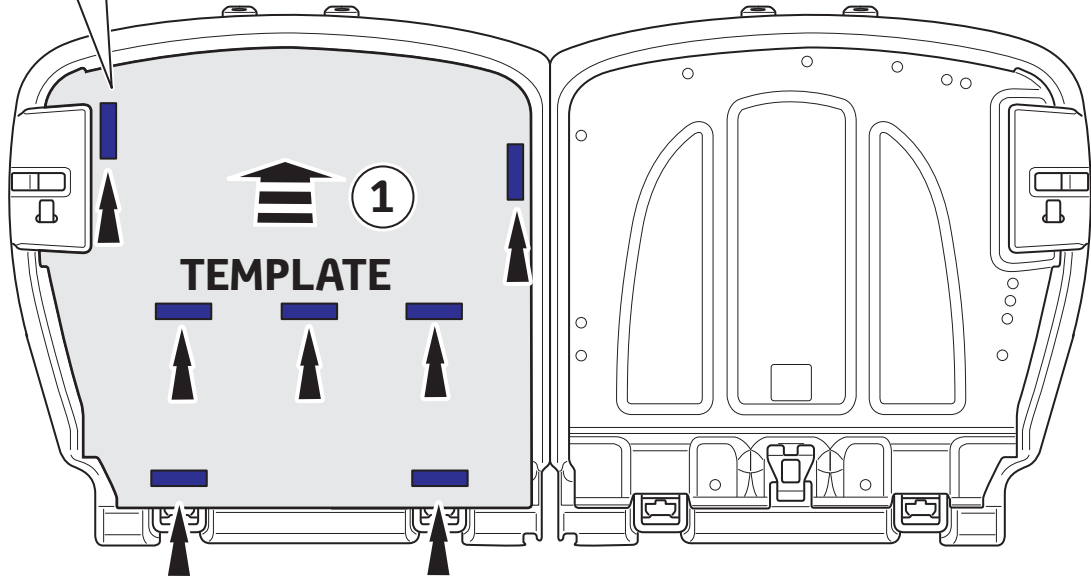
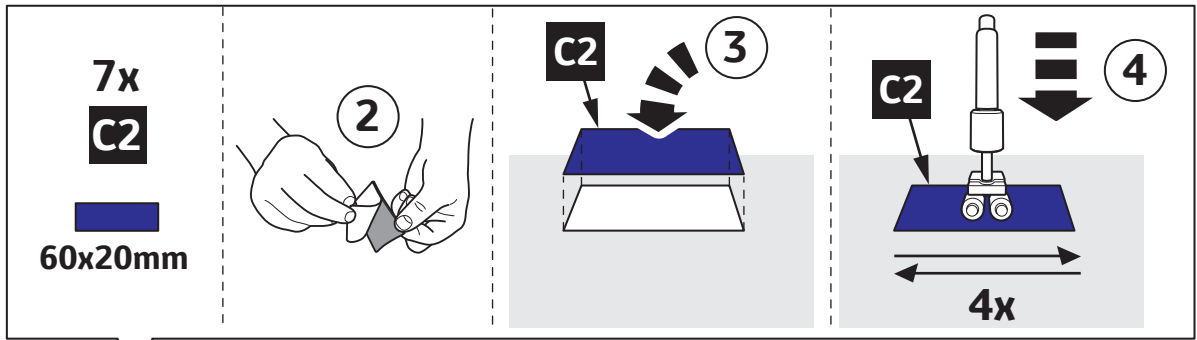


# DEALER INSTALLATION



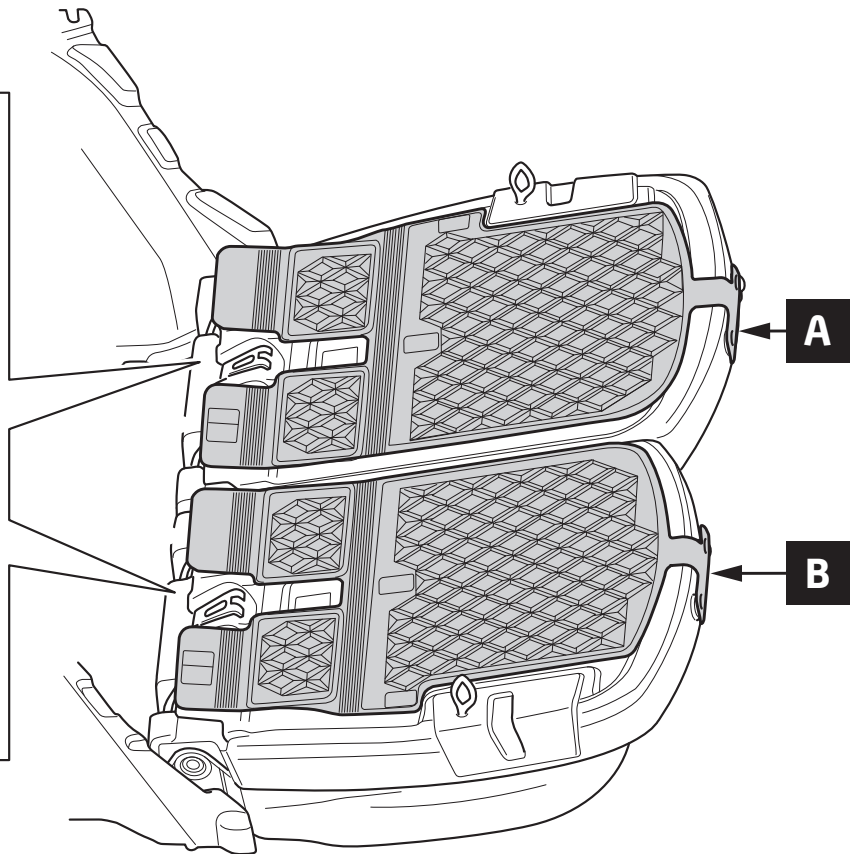
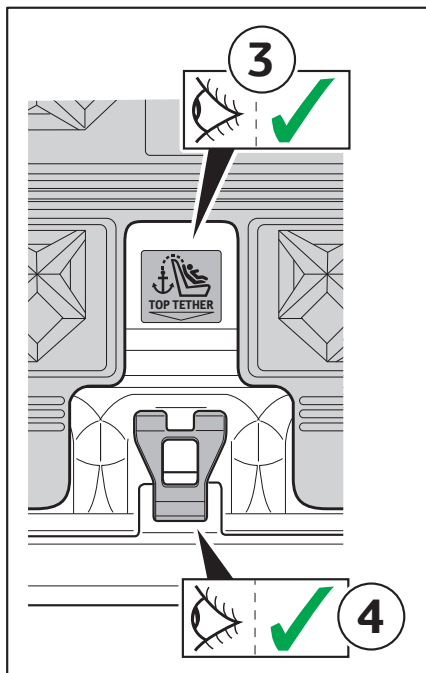
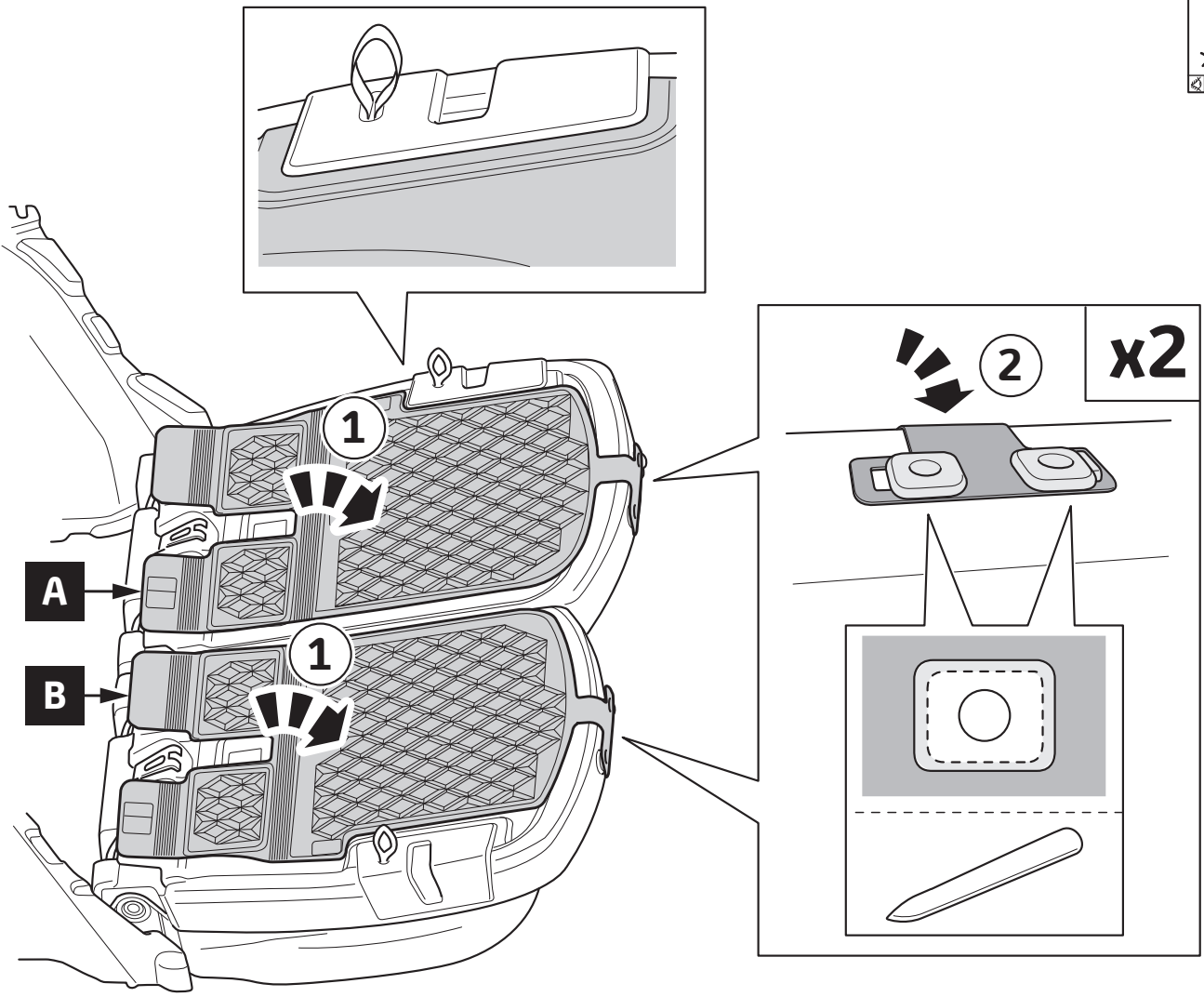
5A

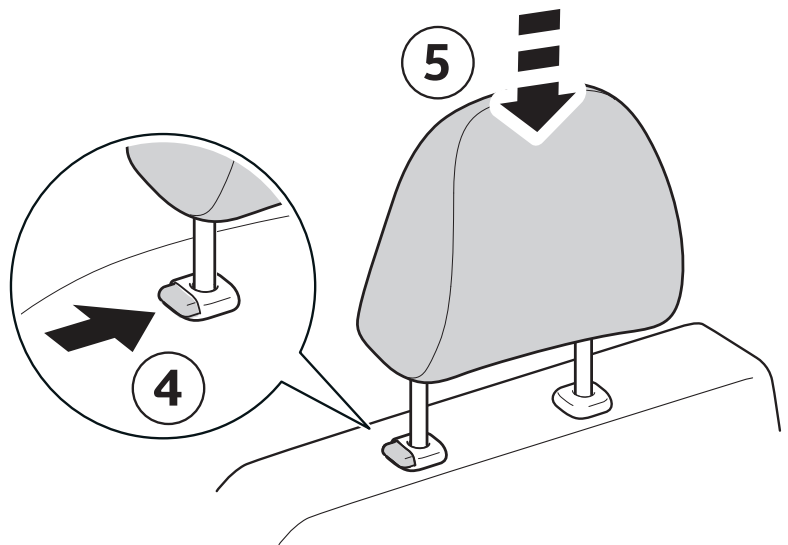
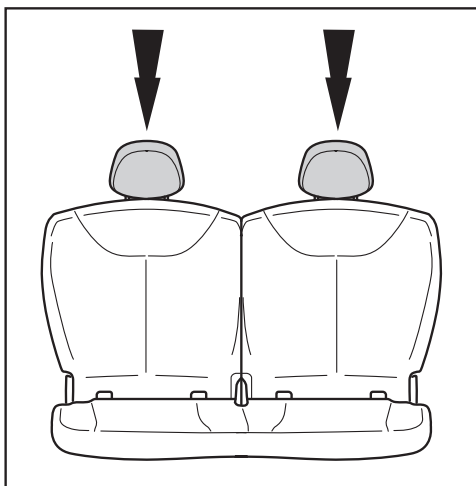
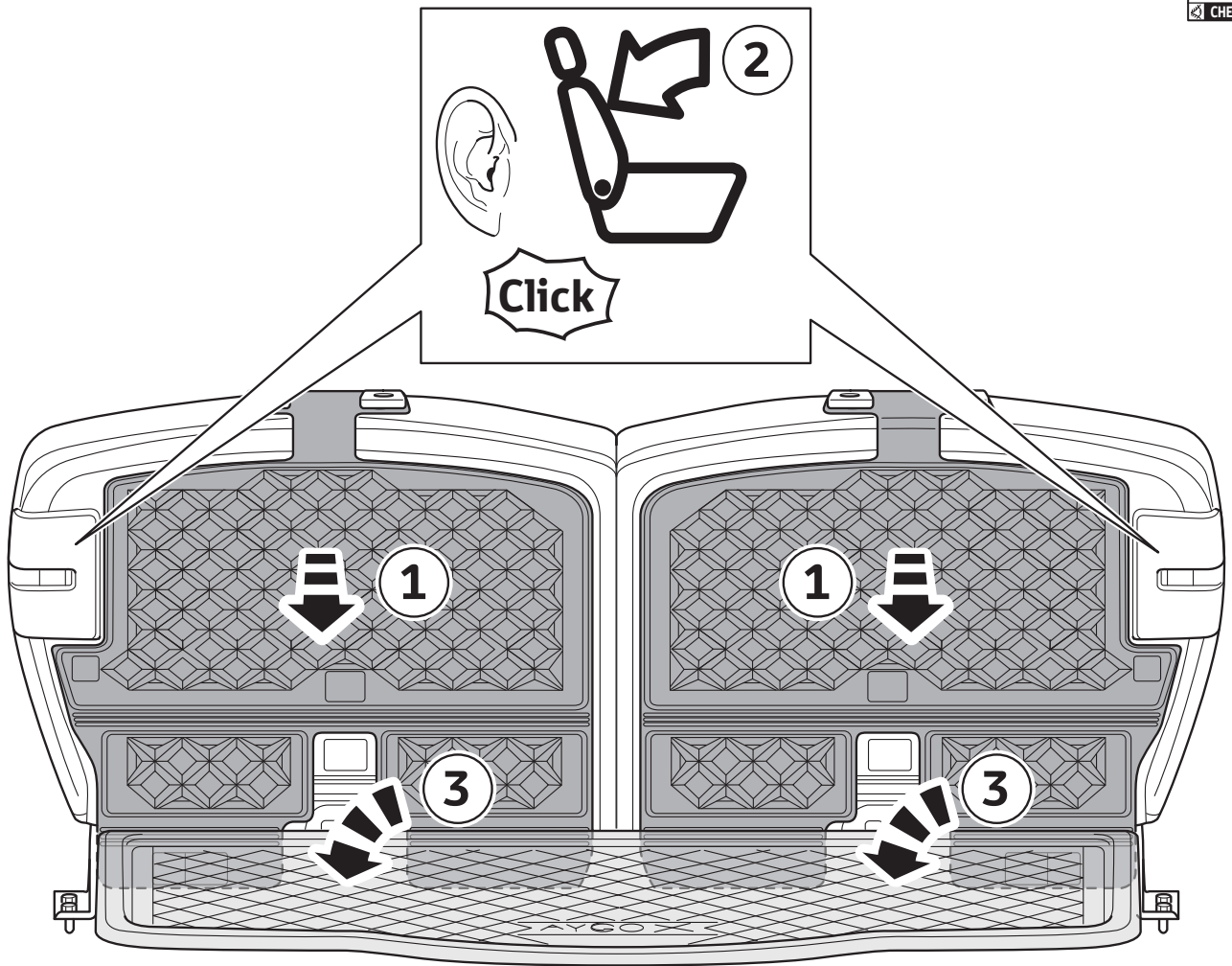
# HUB INSTALLATION

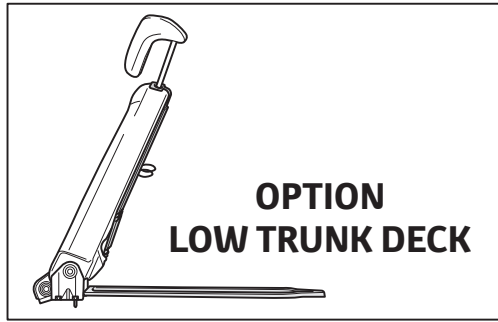


5B









**14x C1 60x20mm**

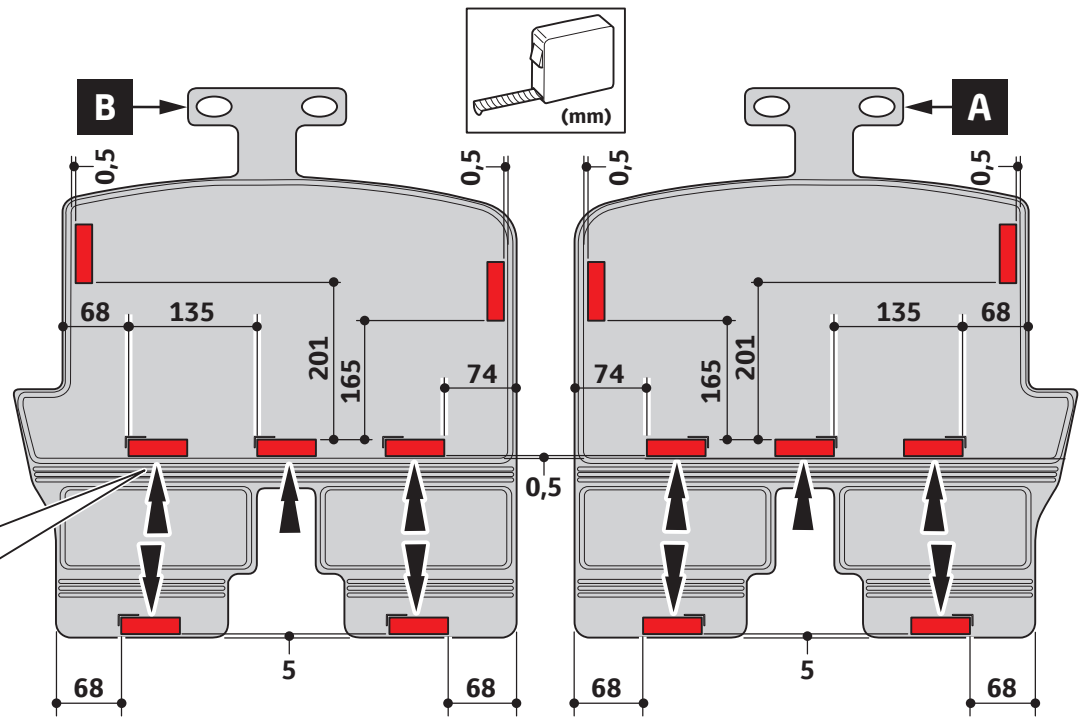
**1**

**2**

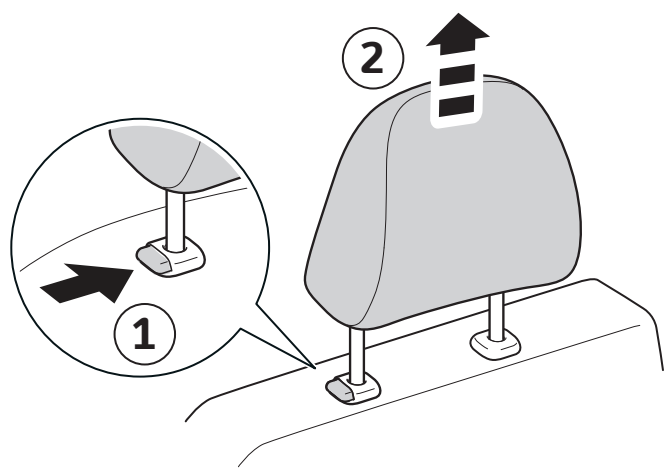
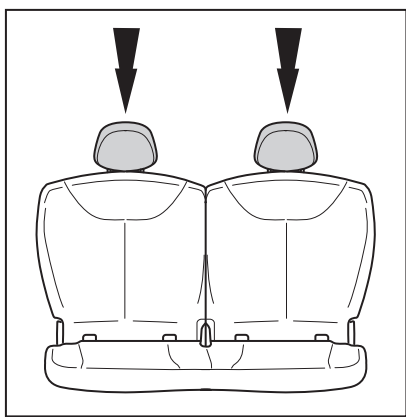
**C1**

**3**

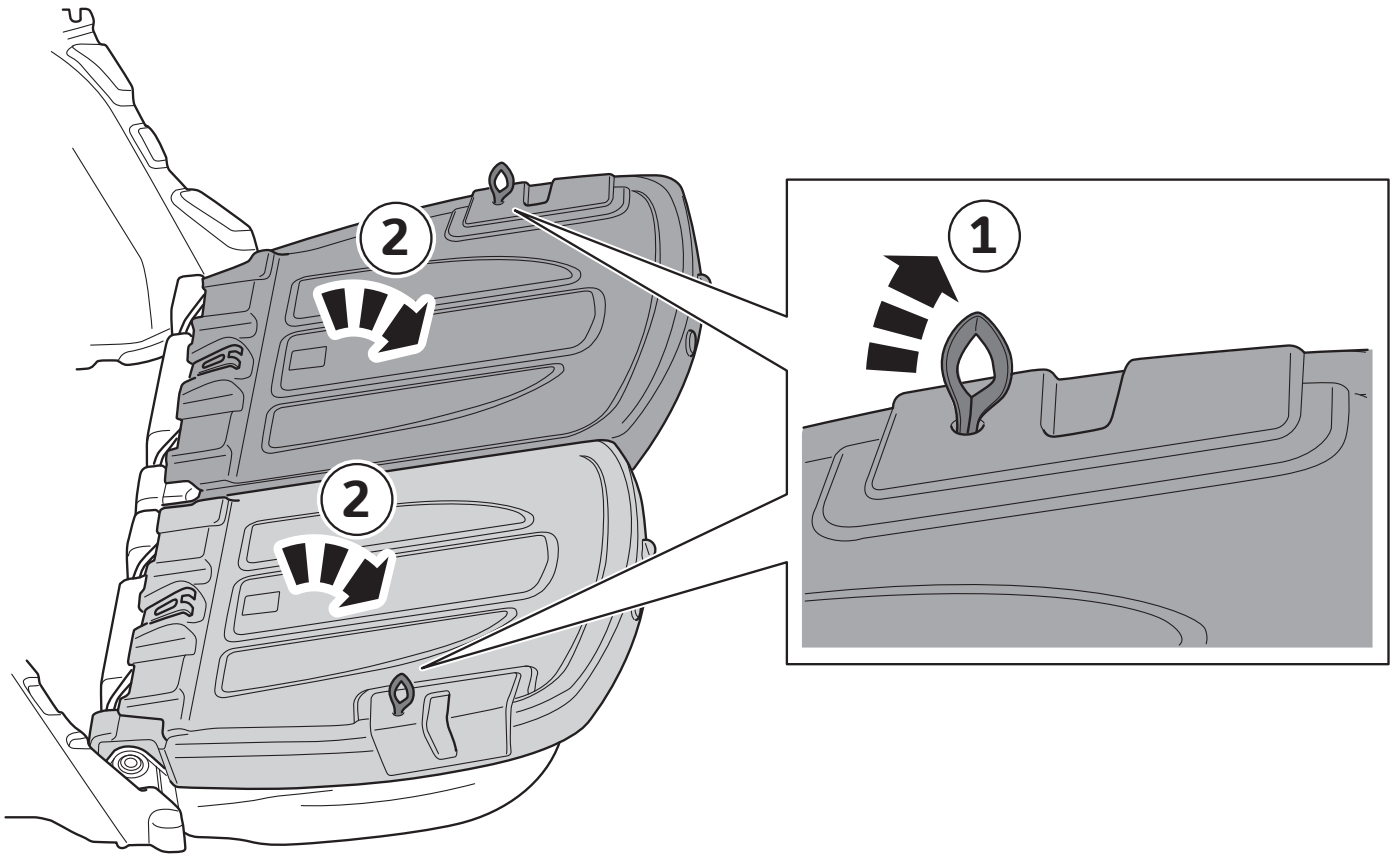
**4x**



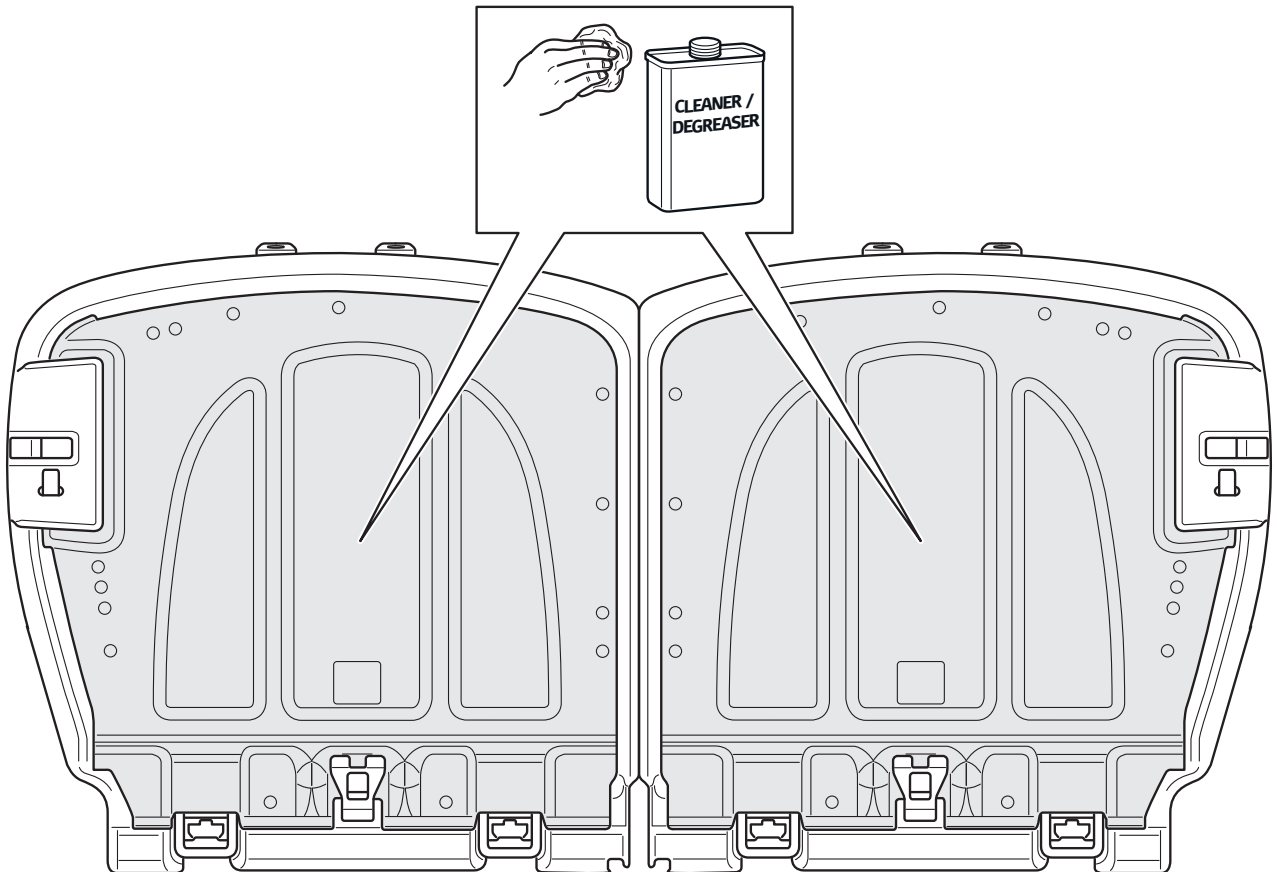
**8**



**9**

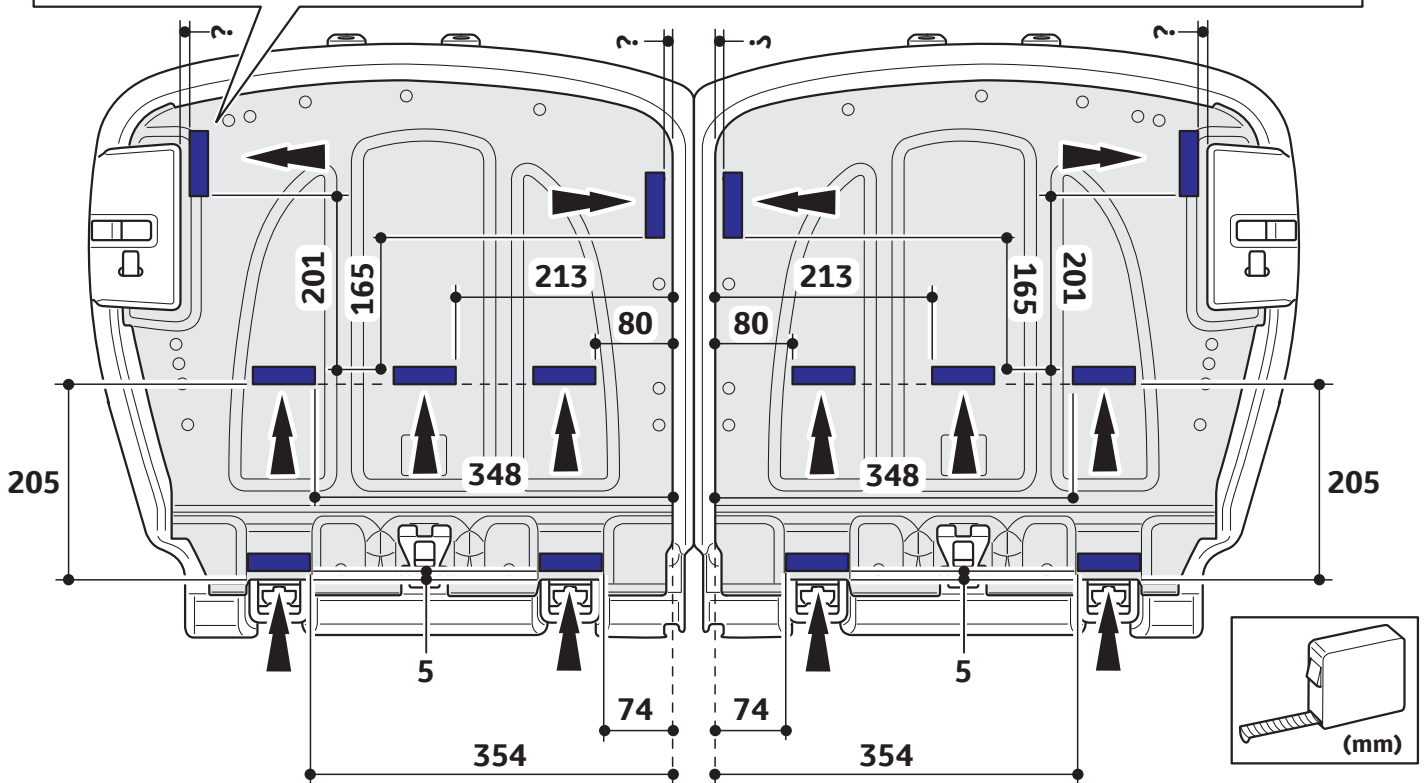
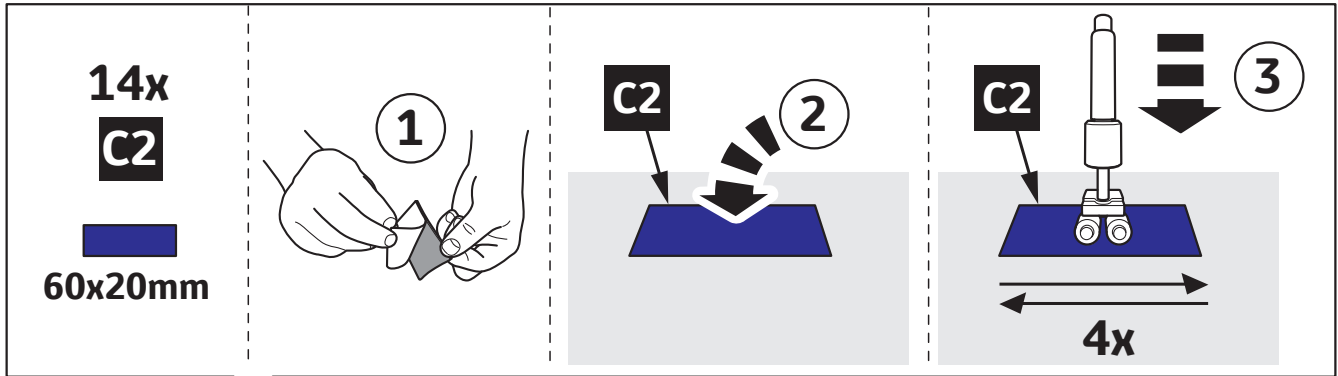


10



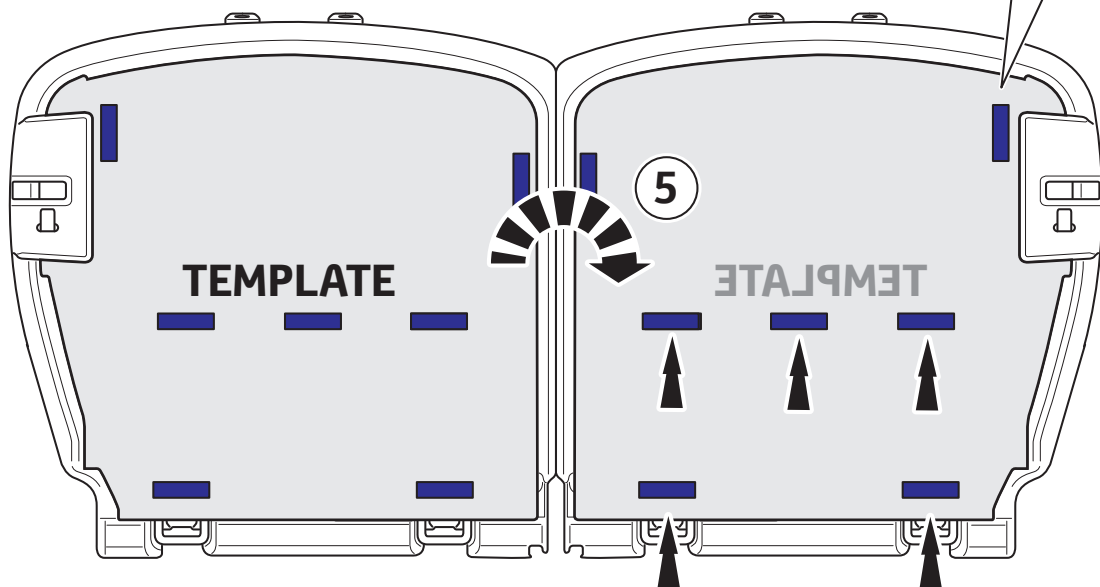
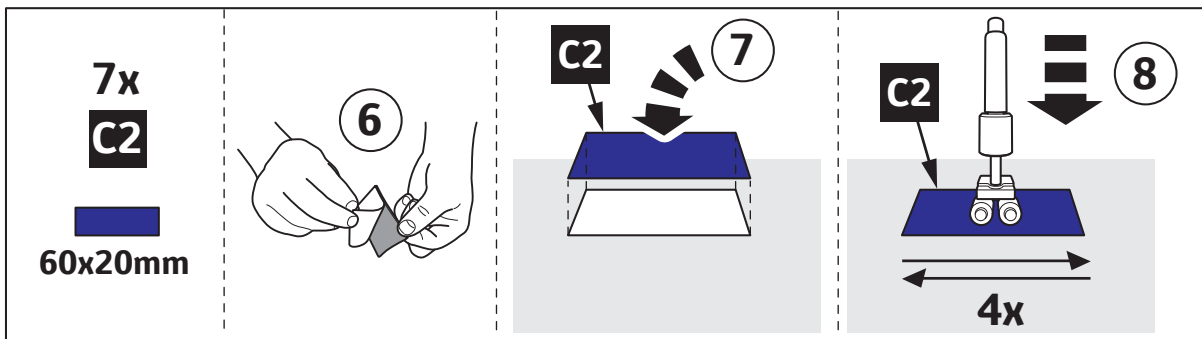
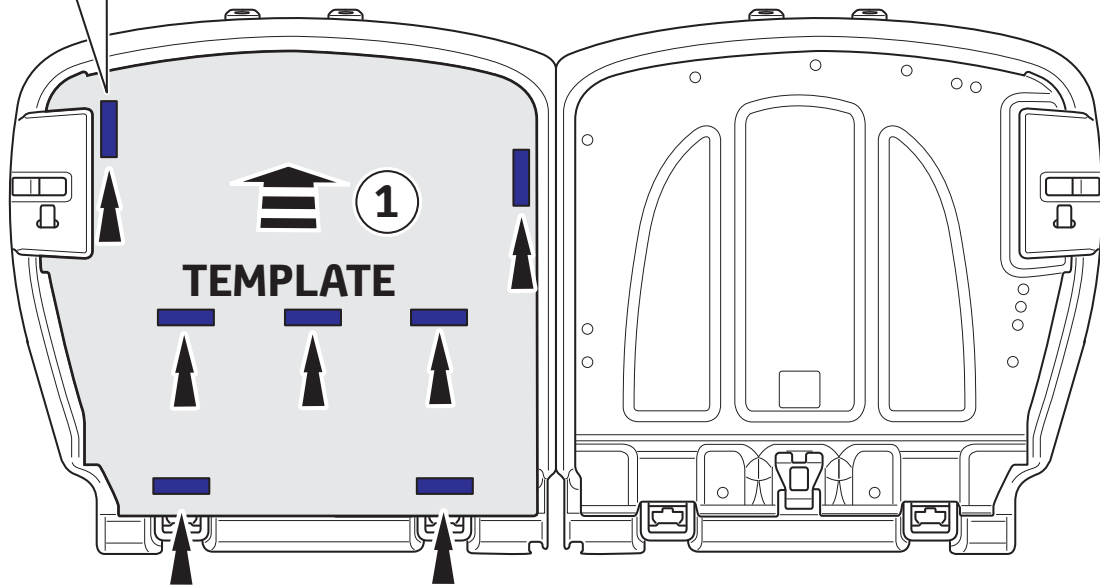
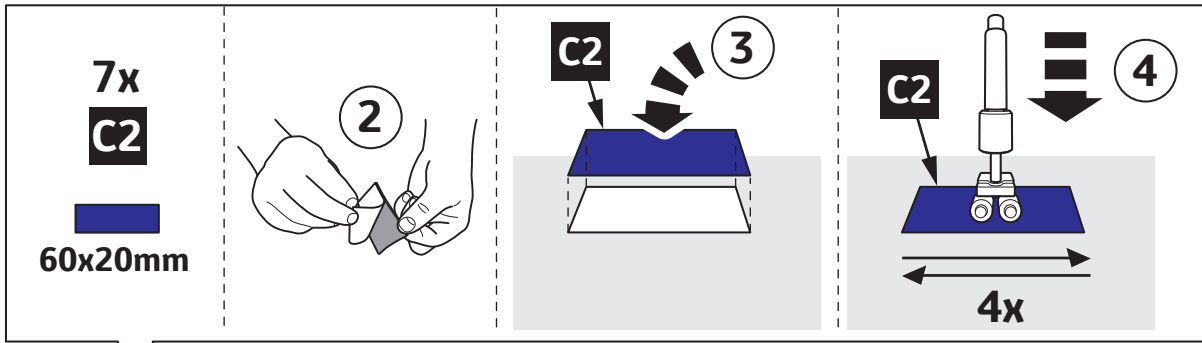
11

# DEALER INSTALLATION



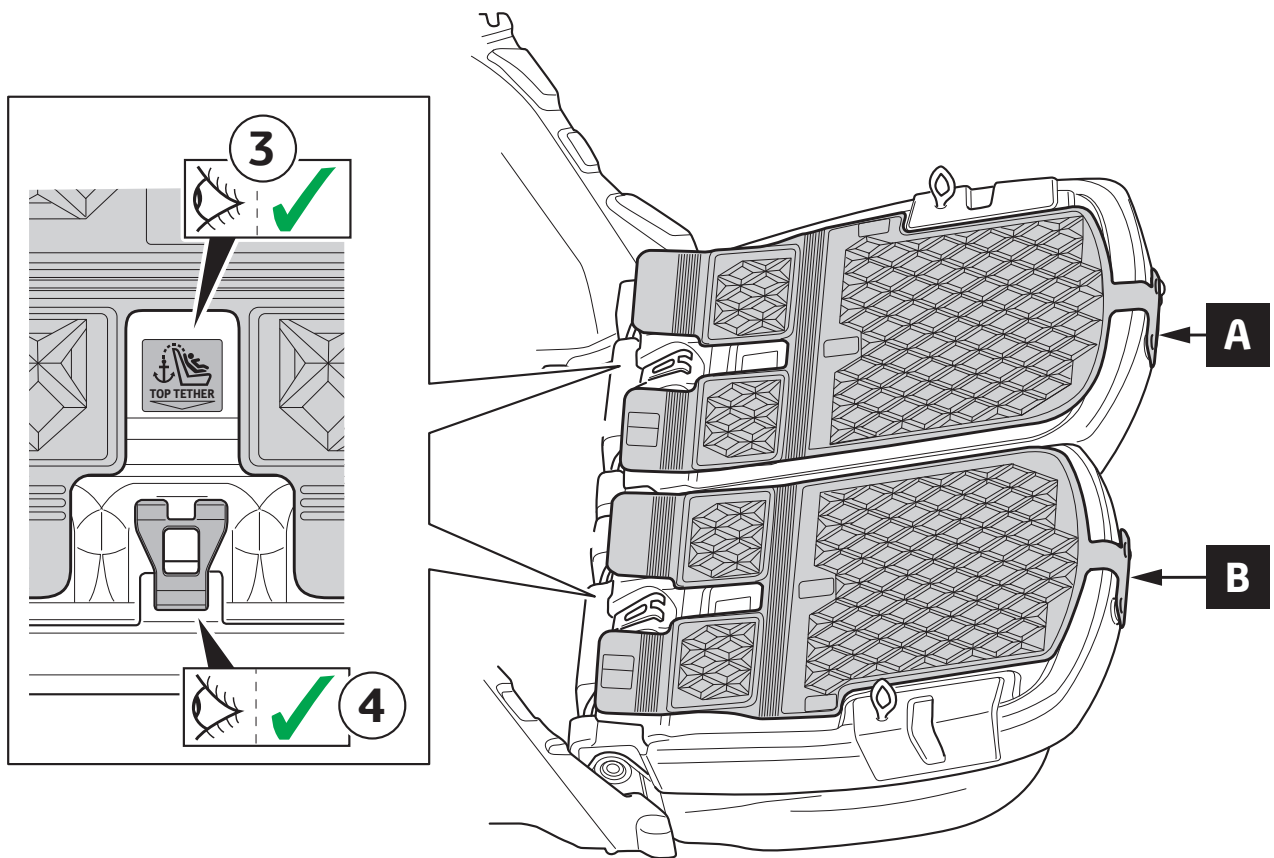
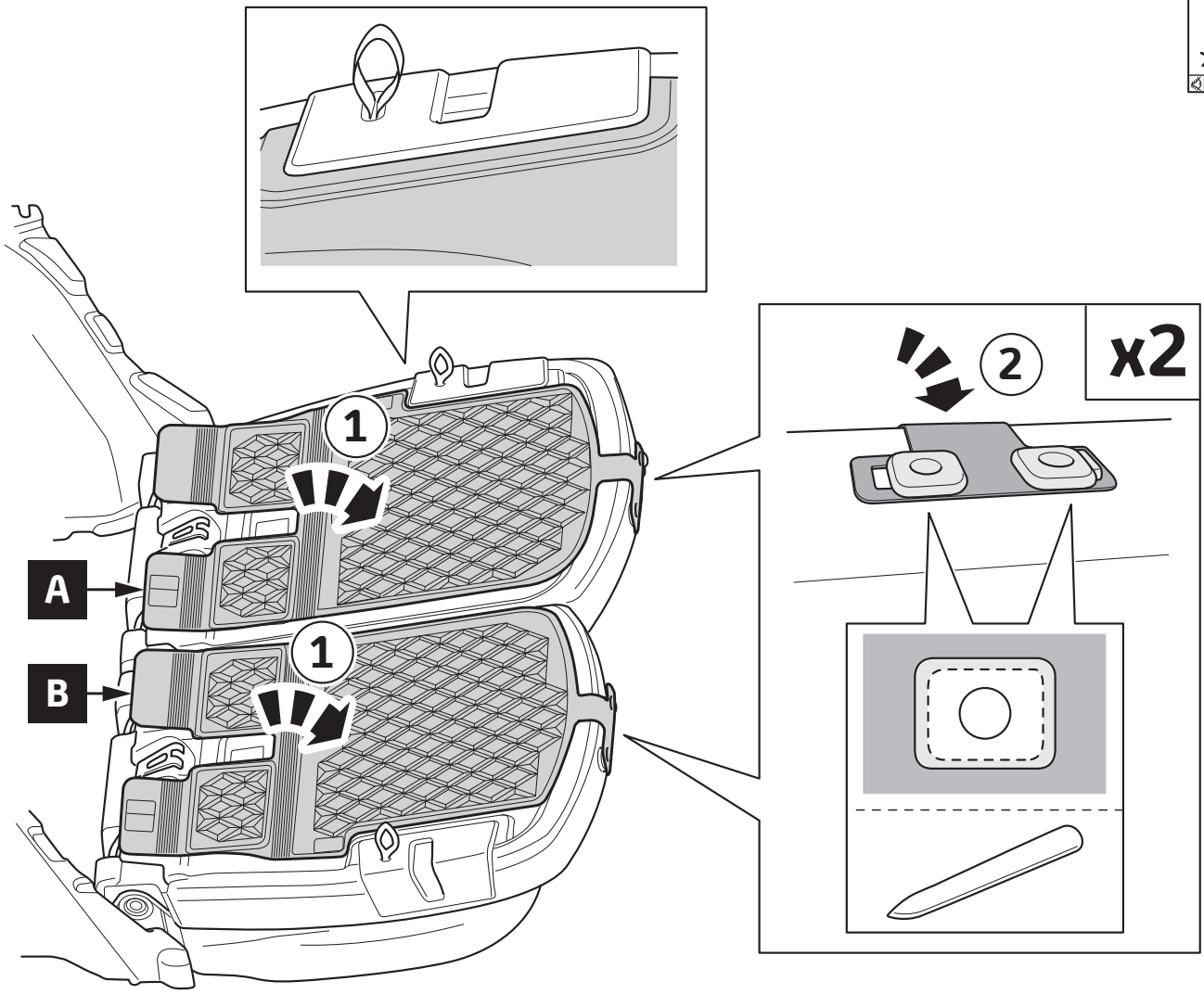
12A

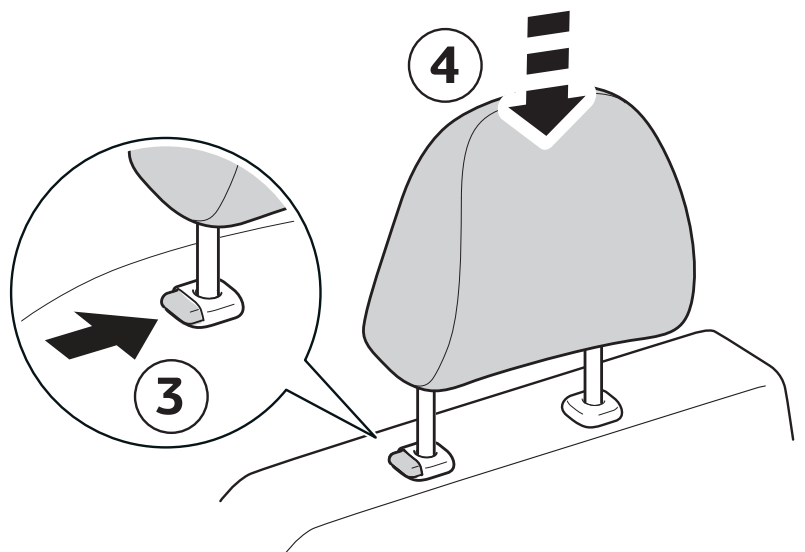
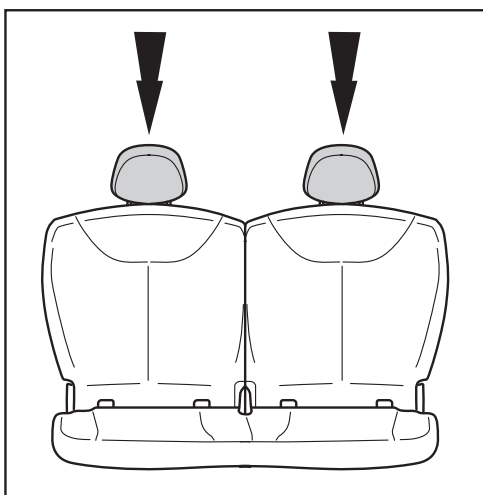
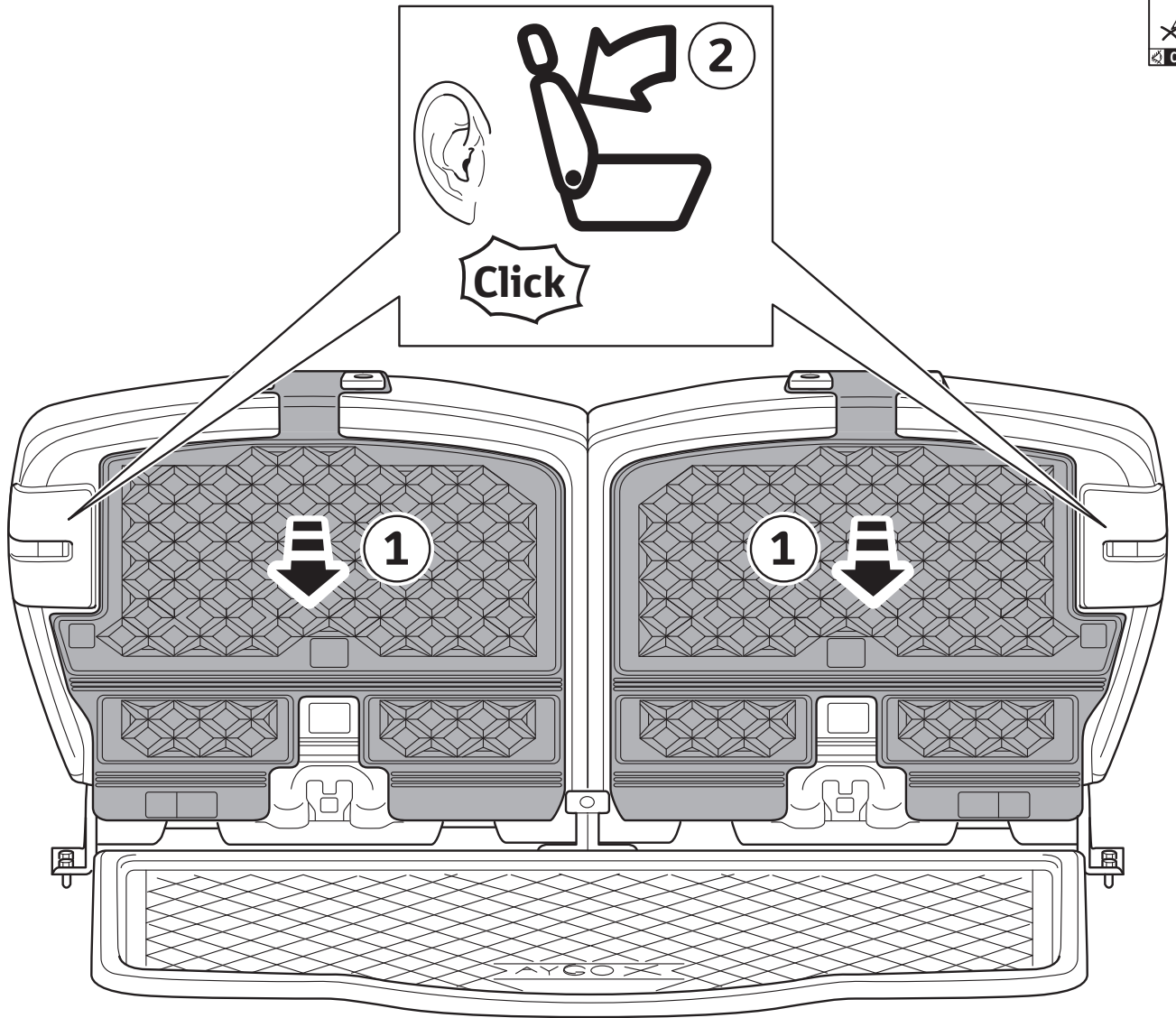
# HUB INSTALLATION



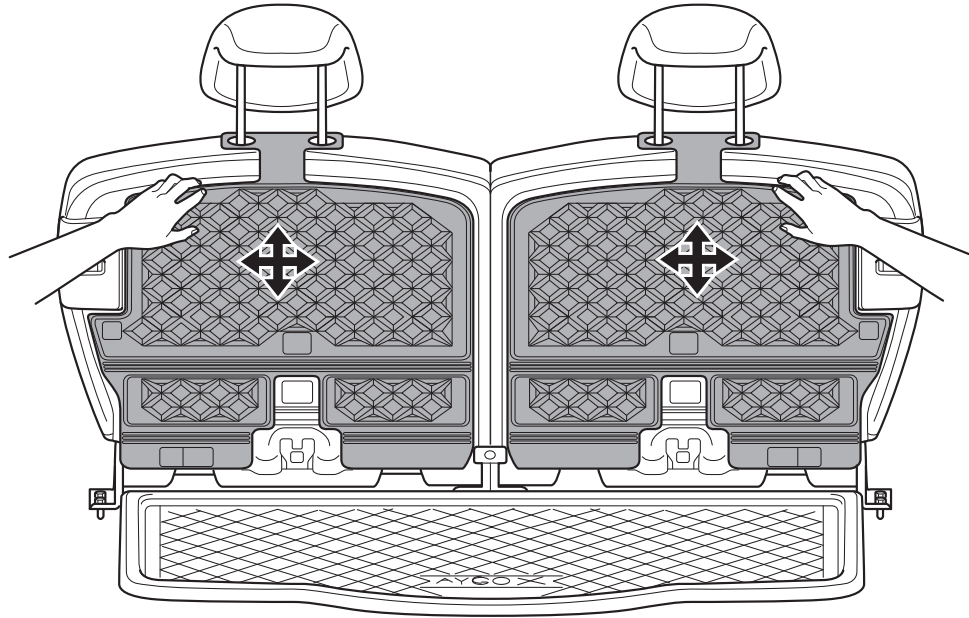
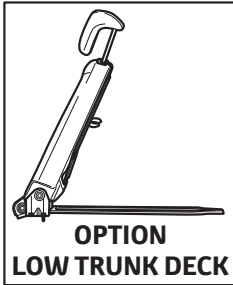
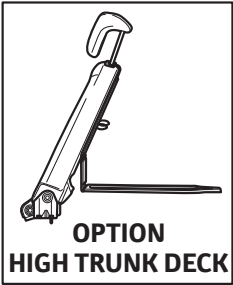
12B



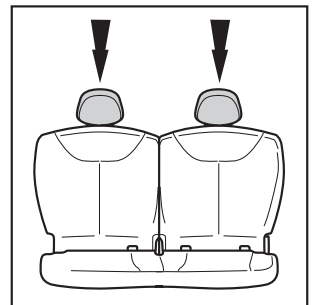
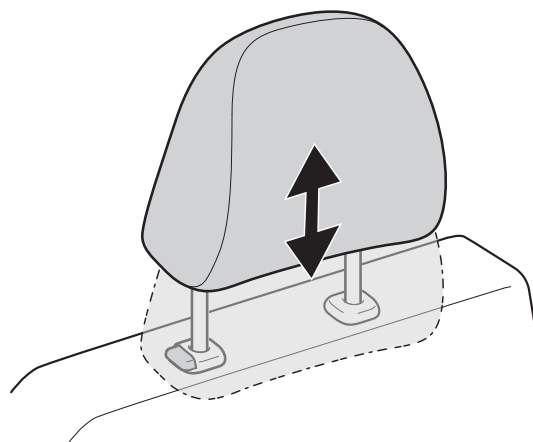
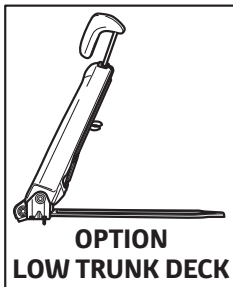
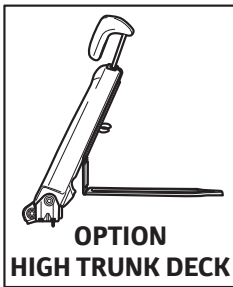




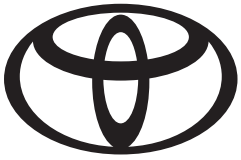




15



16



# CHECK SHEET

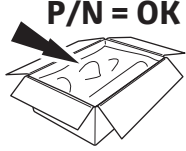
Page 1 of 3

Model/Year **Aygo X**  
As from 2022/03


Back Seat Protection


VINn°


## DURING INSTALLATION

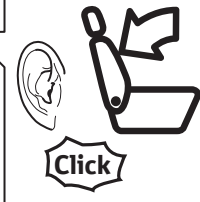
**1** 


## AFTER INSTALLATION


**1**  **OPTION  
HIGH TRUNK DECK**

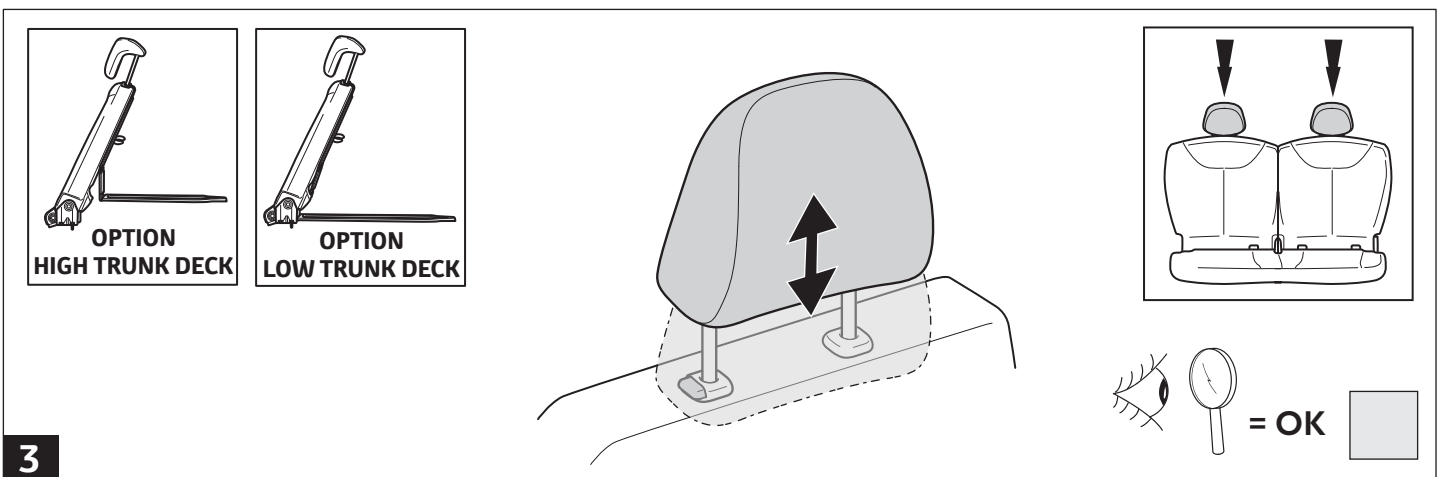
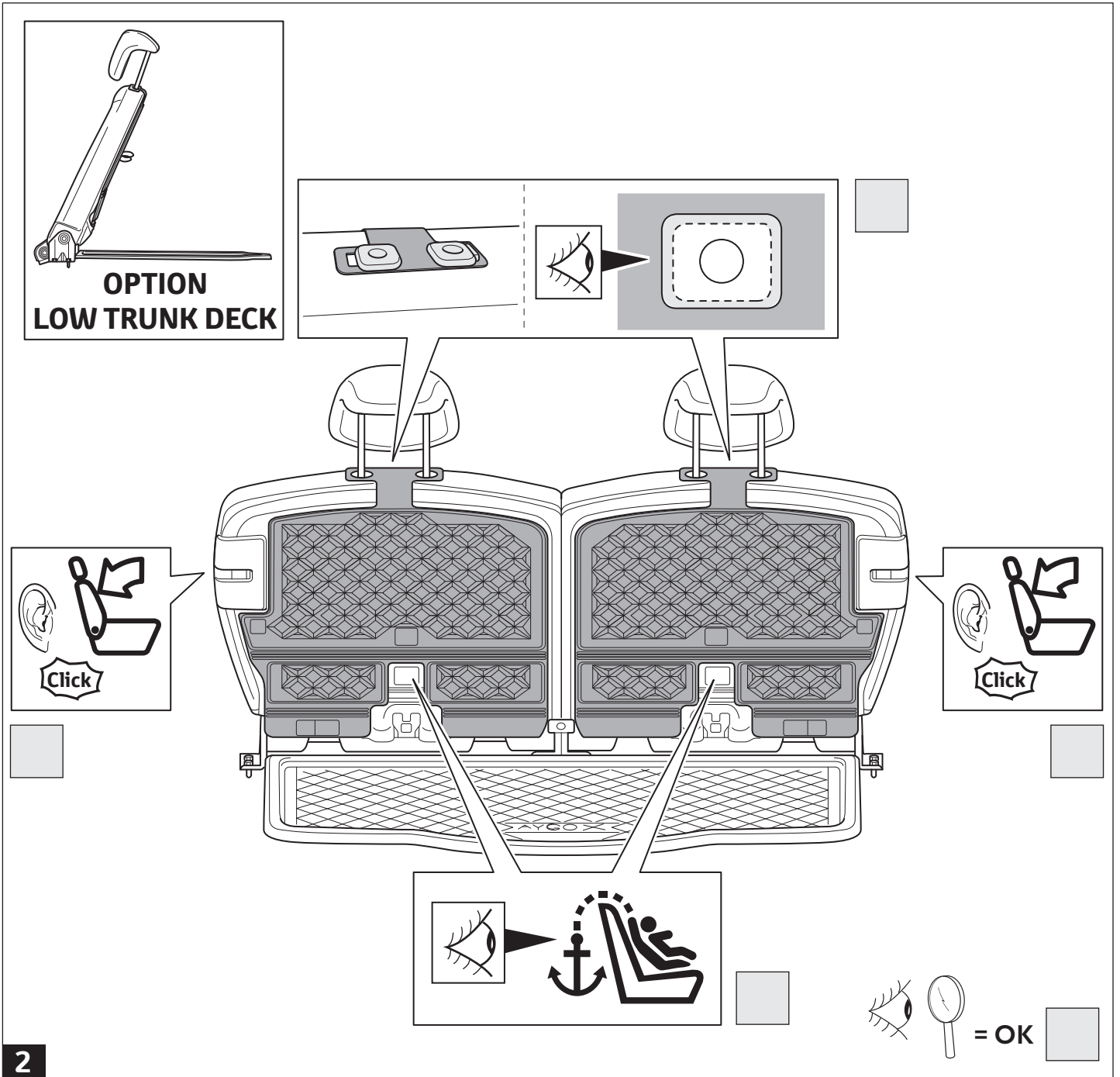


 **Click**

 **Click**



 = OK



**4**

OPTION HIGH TRUNK DECK

OPTION LOW TRUNK DECK

**5**

OPTION HIGH TRUNK DECK

OPTION LOW TRUNK DECK

**6**

= OK

**Installation Date:**

.. / .. / ..

**Technician Name & Signature:**

**Stamp:**