

Yaris Cross

Rear Mudflaps

Installation Instructions

Model year: As from 2021/05

Vehicle code: MX**1**-BH**BW

Part number: PW389-0D160



Rear Mudflaps

Manual reference number: AIM 005 464-0

Latest Version
SCAN HERE



THINK BEFORE YOU PRINT

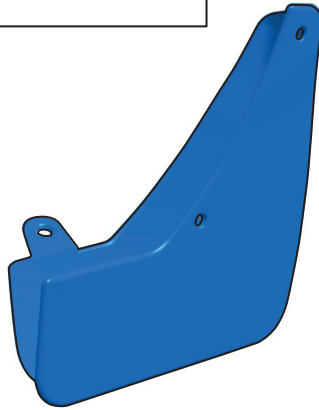
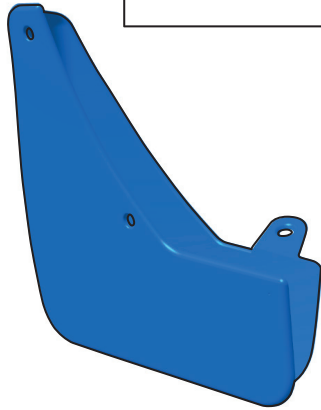
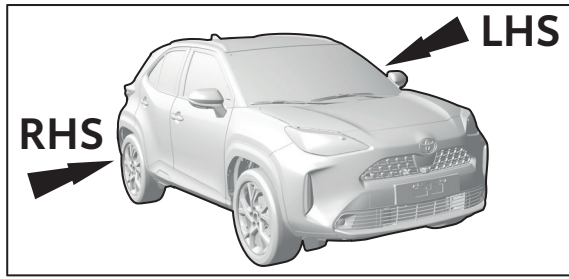
**ONLINE = LATEST VERSION
GO DIGITAL!**

Revision Record

Rev. No.	Date	Page	Step	Remarks

KIT CONTENT

PW389-0D160



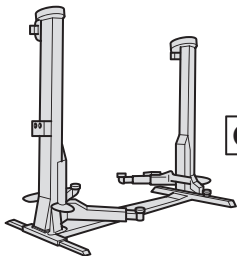
B 90159-50353 4x



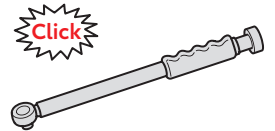
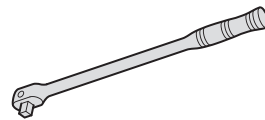
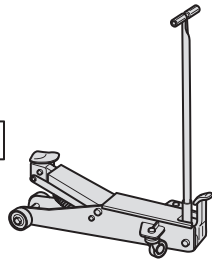
A LHS 1x RHS x1

C 90183-06019 4x

TOOLS

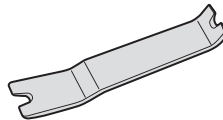


OR

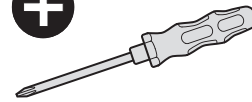


Cobalt Drill bits
Ø3 mm
Ø6 mm

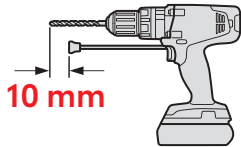
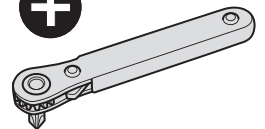
Cobalt Drill bits
Ø3 mm
Ø6 mm



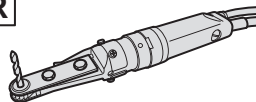
PH2



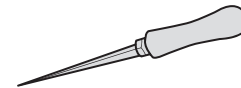
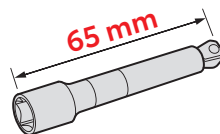
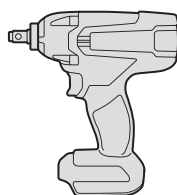
PH2



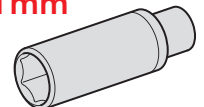
OR



Torque stick
100Nm



21 mm

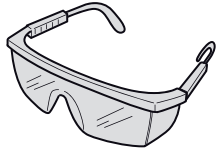


CONSUMABLES

CLEANER / DEGREASER



PERSONAL PROTECTION EQUIPMENT



USEFUL GENERAL MANUALS

SYMBOLS



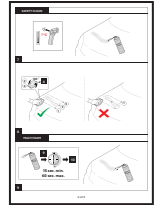
Latest Version
SCAN HERE



CLEANER / DEGREASER



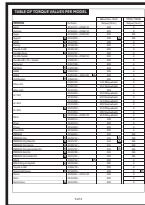
Latest Version
SCAN HERE



WHEEL TORQUE VALUES



Latest Version
SCAN HERE



GENERAL



Material Safety Data Sheet



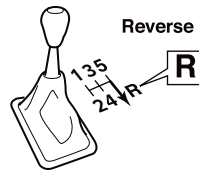
Technical Data Sheet

INSTALLATION INSTRUCTIONS

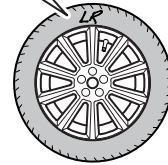
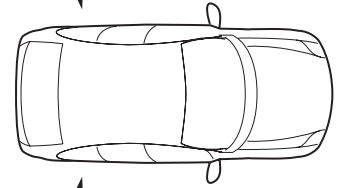
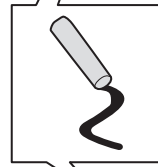
ALTERNATE



STANDARD



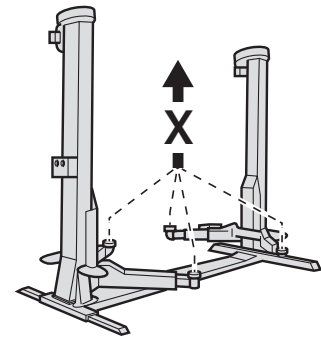
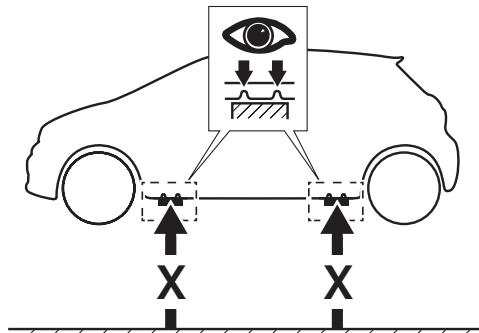
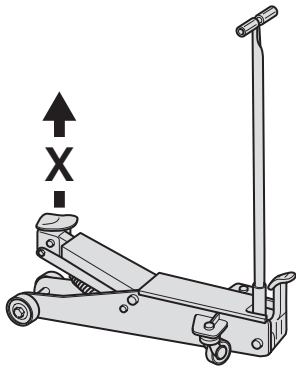
RR



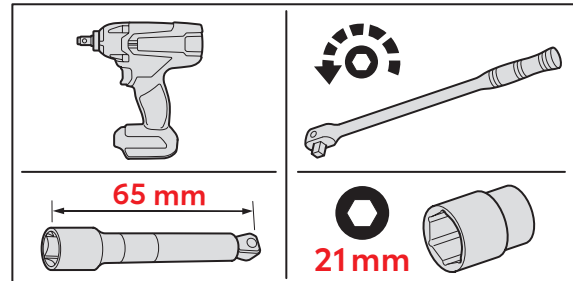
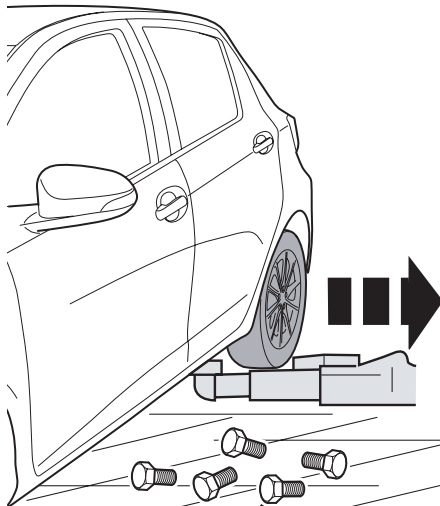
LR

1

2



3



65 mm

21 mm

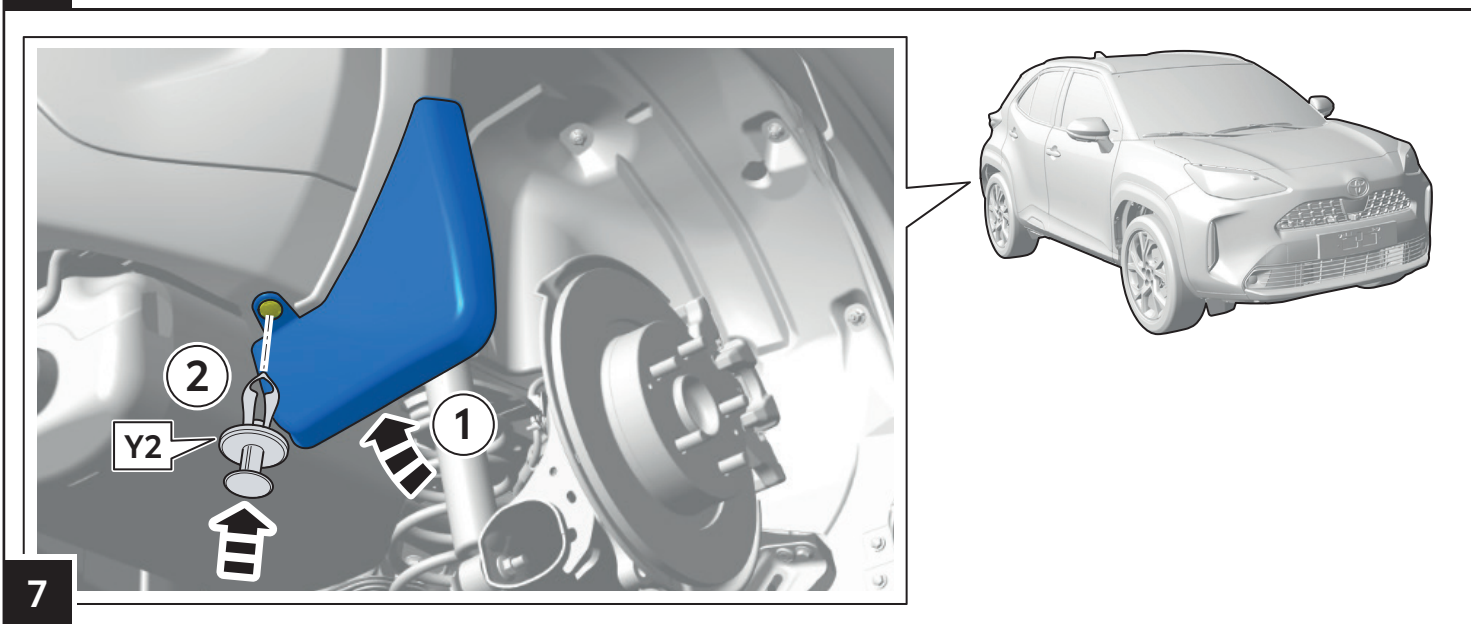
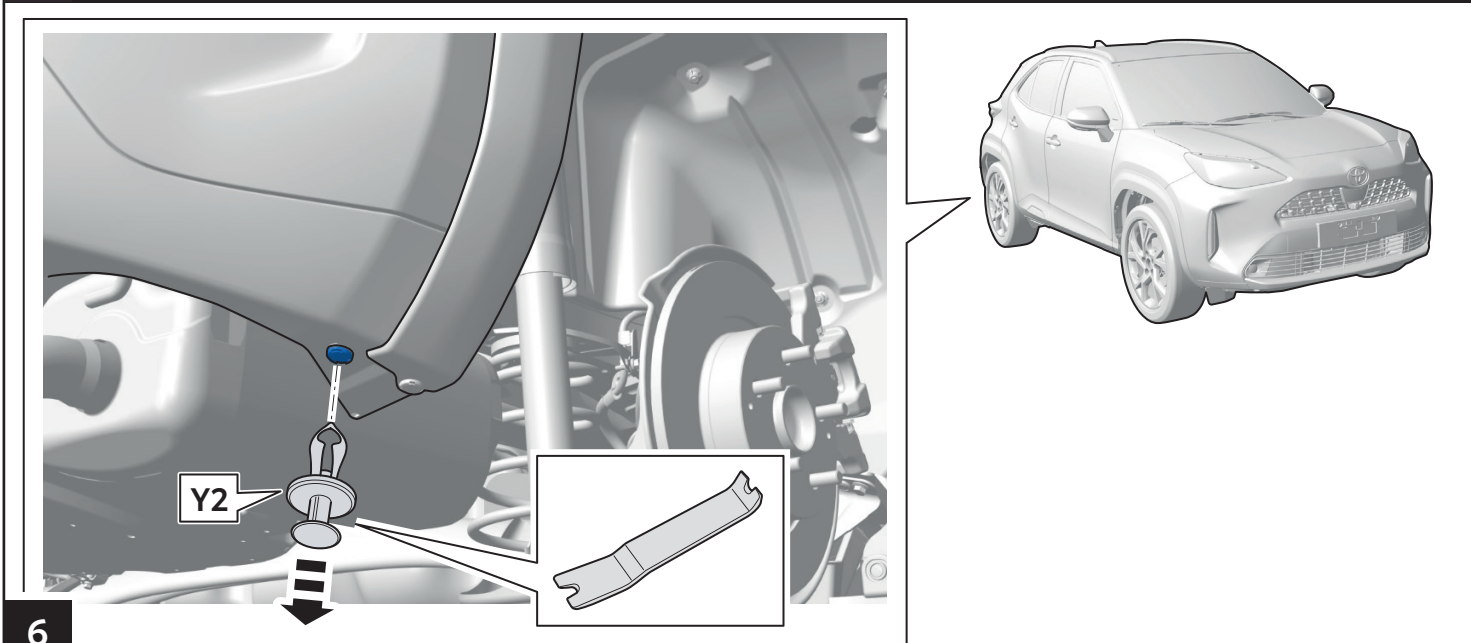
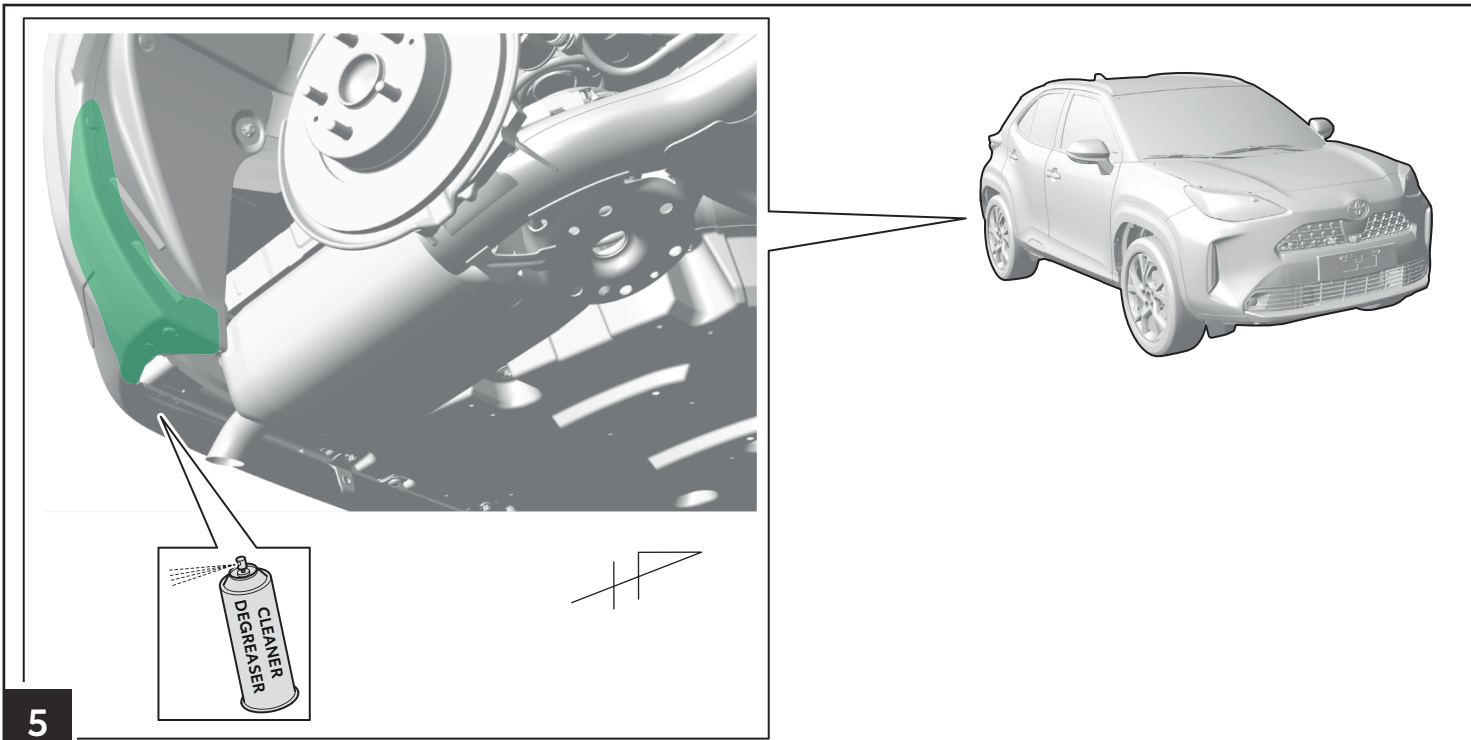
LHS = RHS

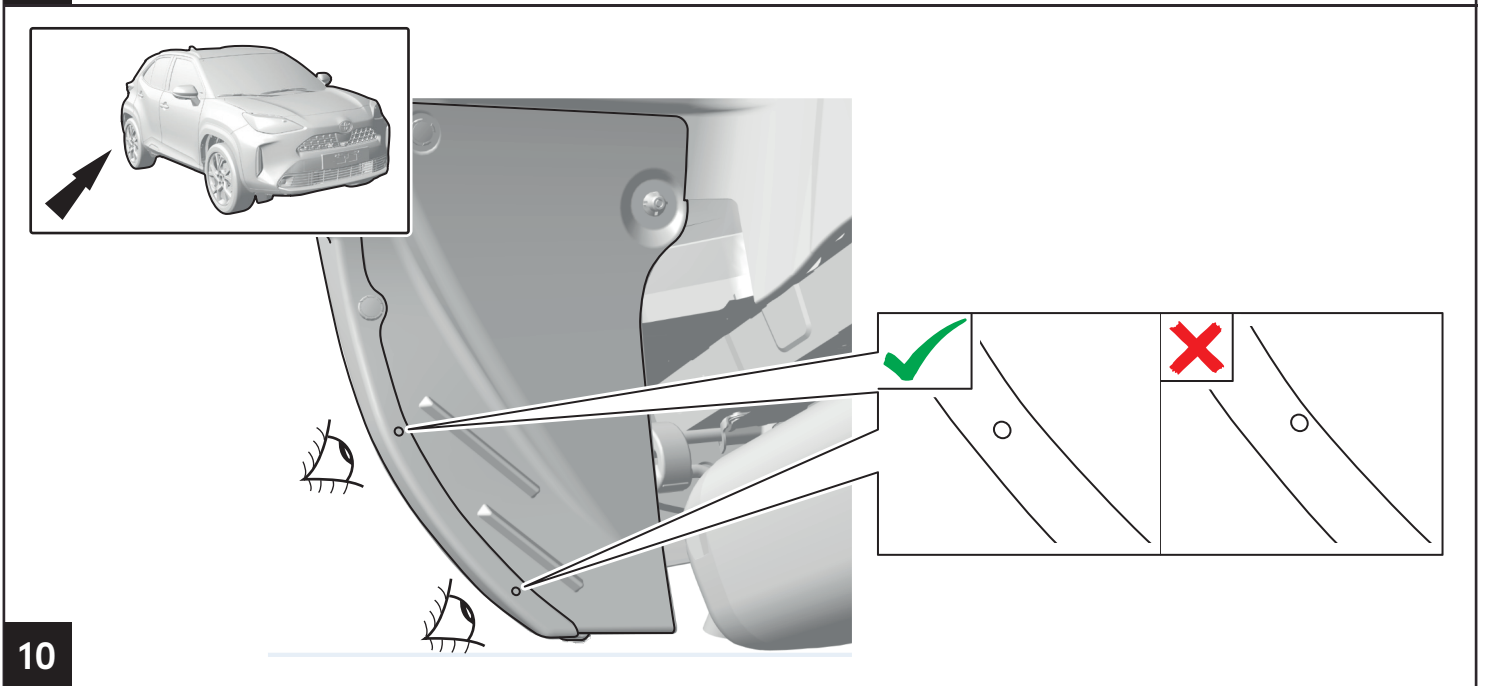
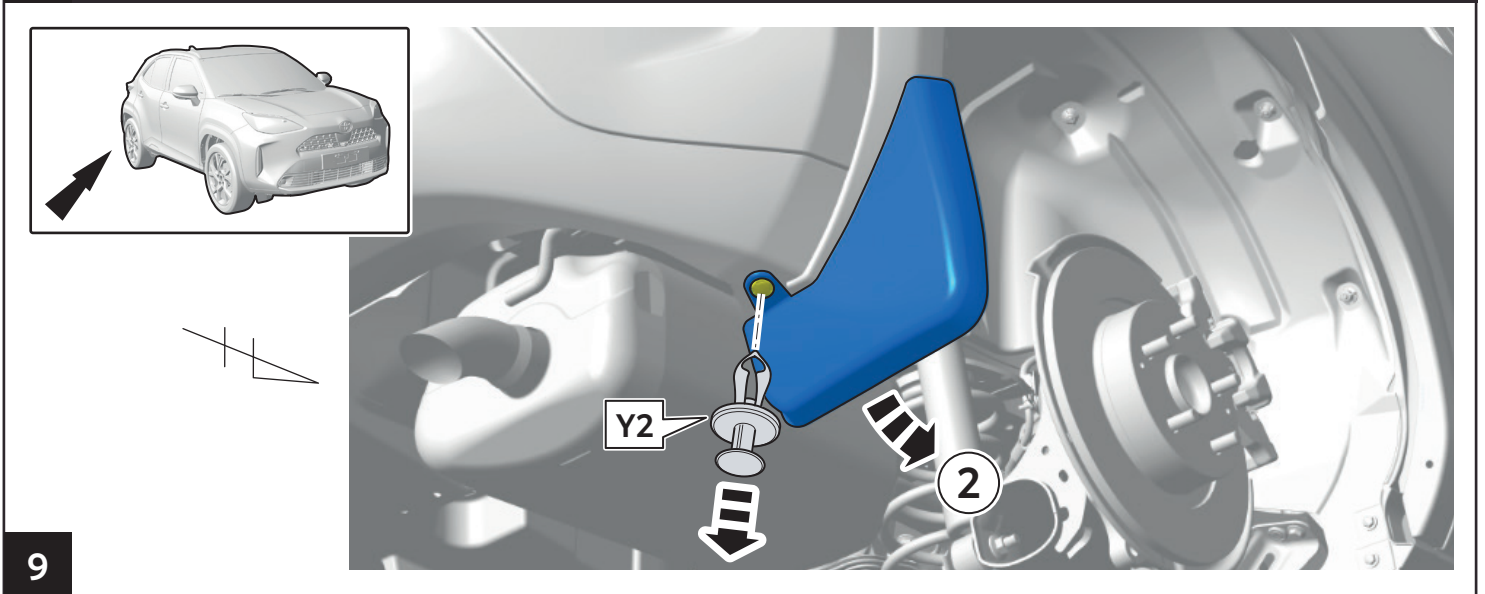
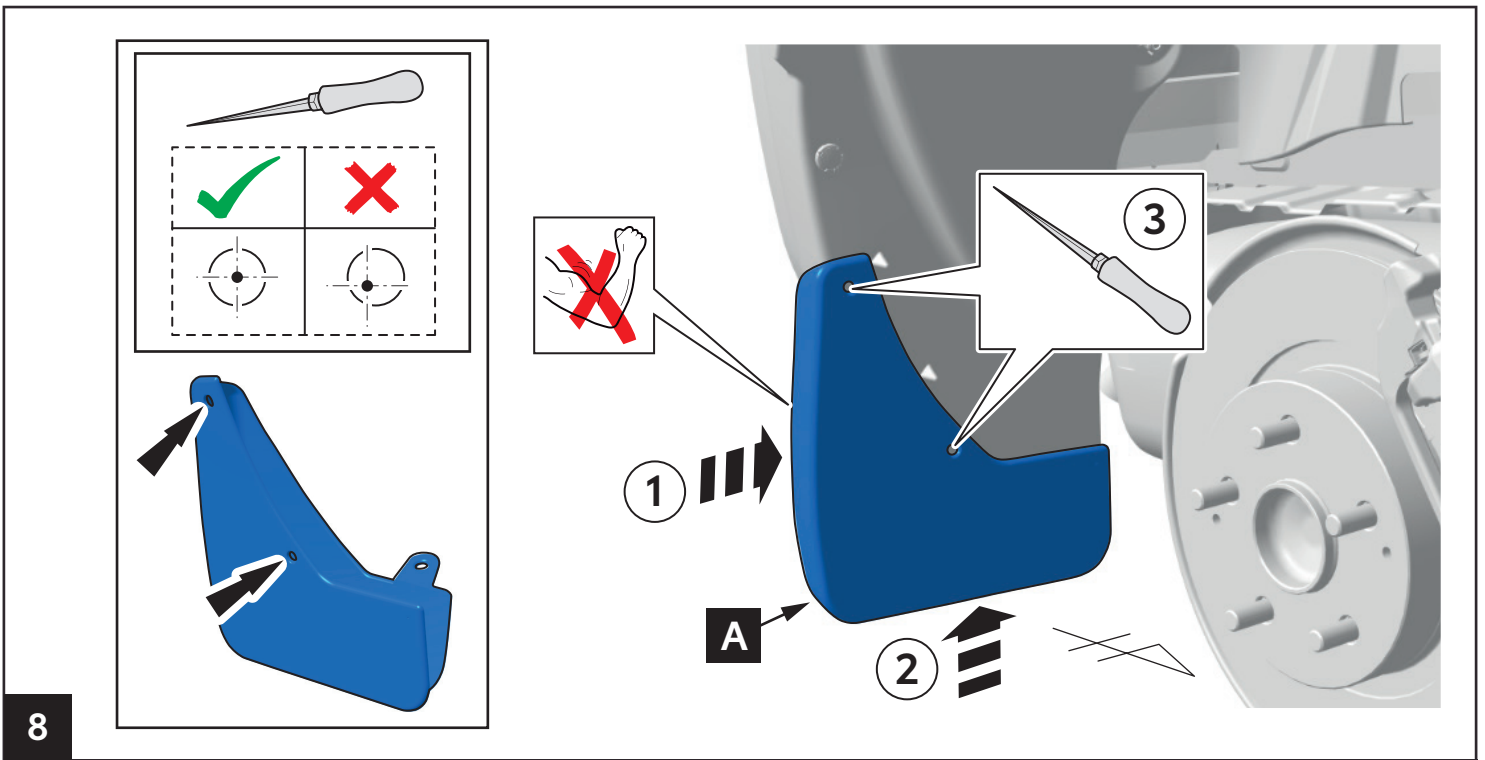
5x Y1




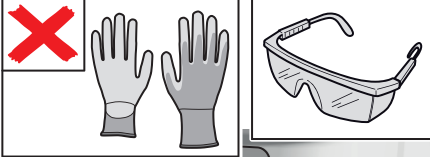
15

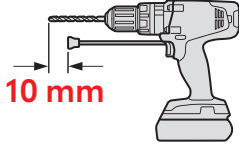
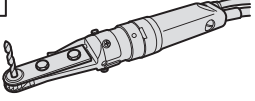
4

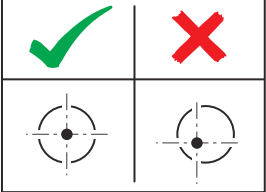
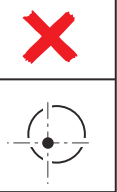



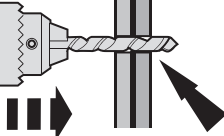




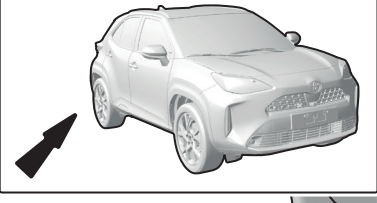


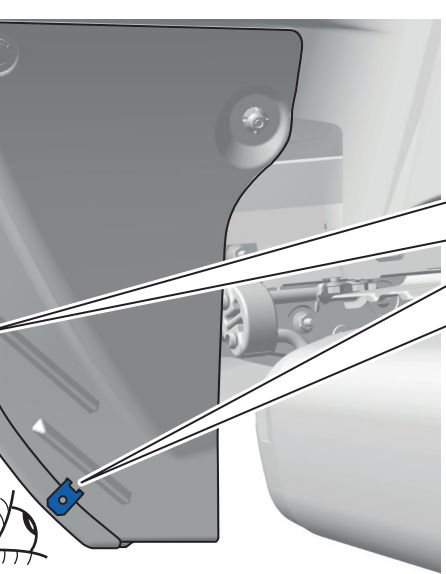
ALTERNATE METHOD	STANDARD METHOD
Cobalt Drill bits Ø3 mm Ø6 mm	Cobalt Drill bits Ø3 mm Ø6 mm
 10 mm	

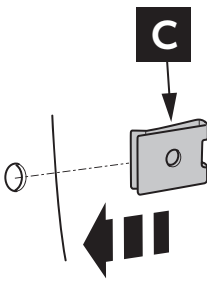
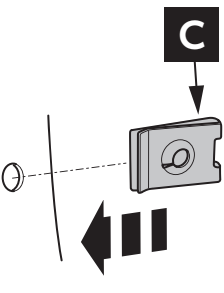
1	2
	

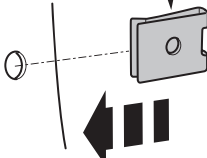
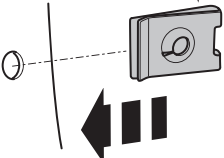
Cobalt Drill bits	
 max. 10 mm	 2x

11

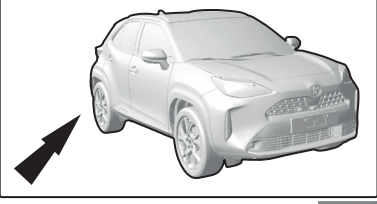


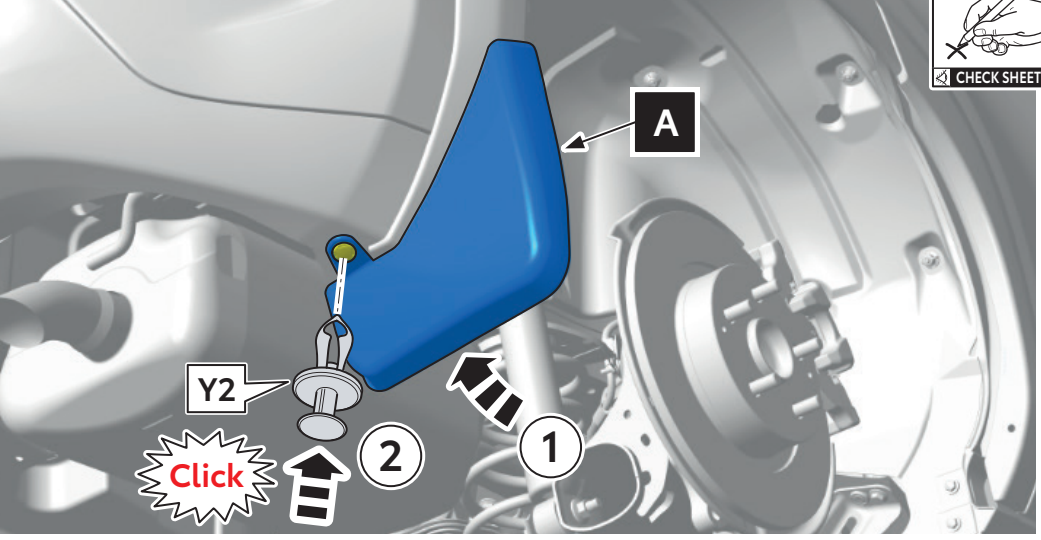



✓	✗
	

C	
	

12







Y2

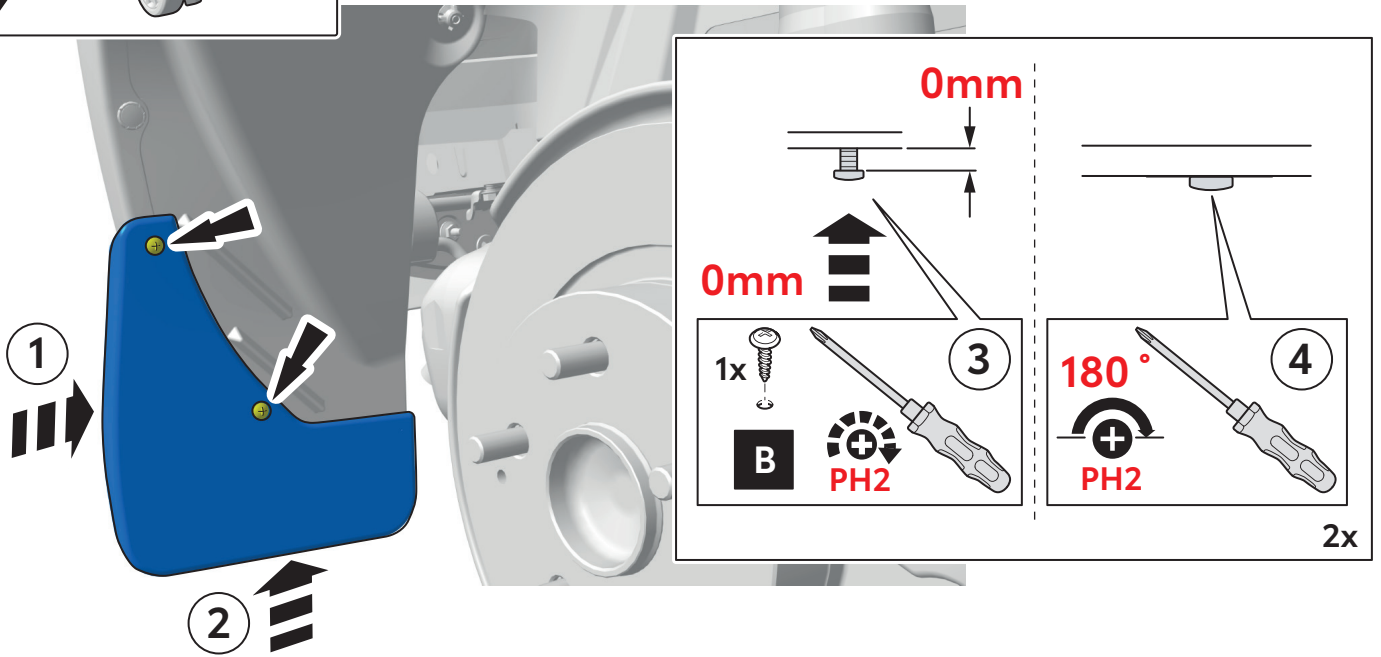
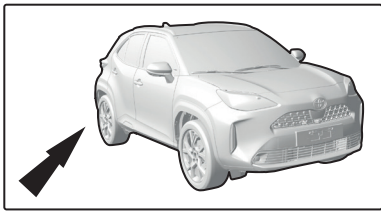
Click

2

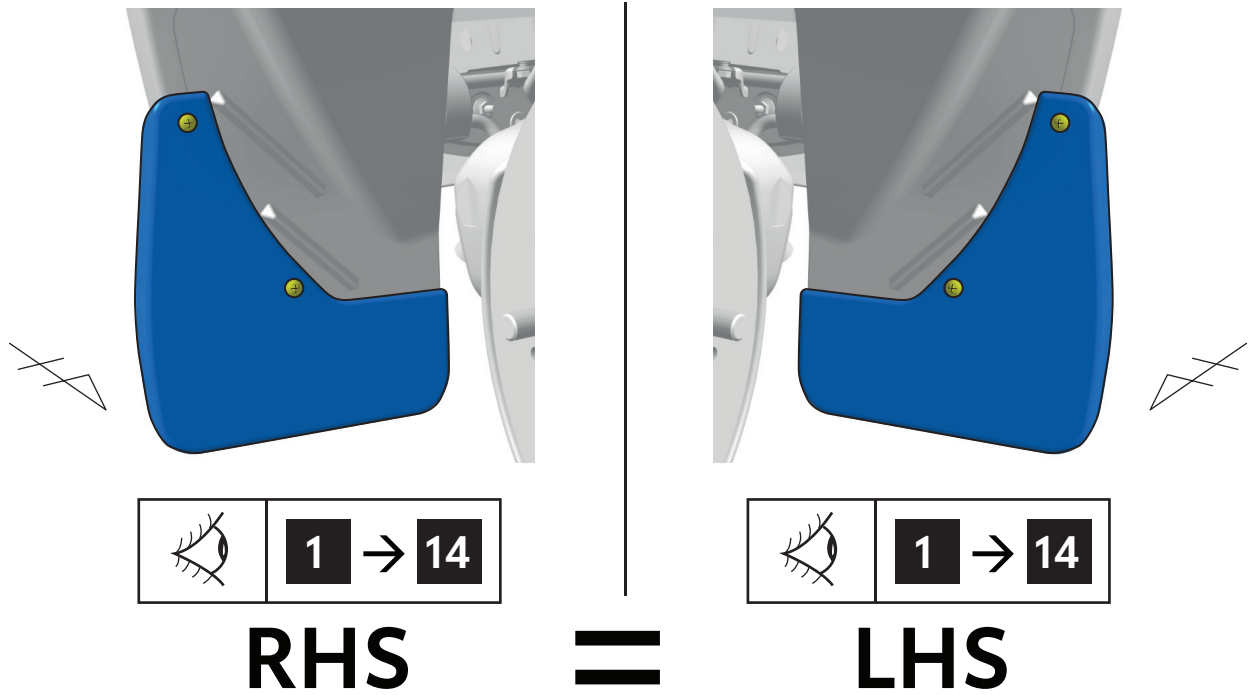
1

A

13

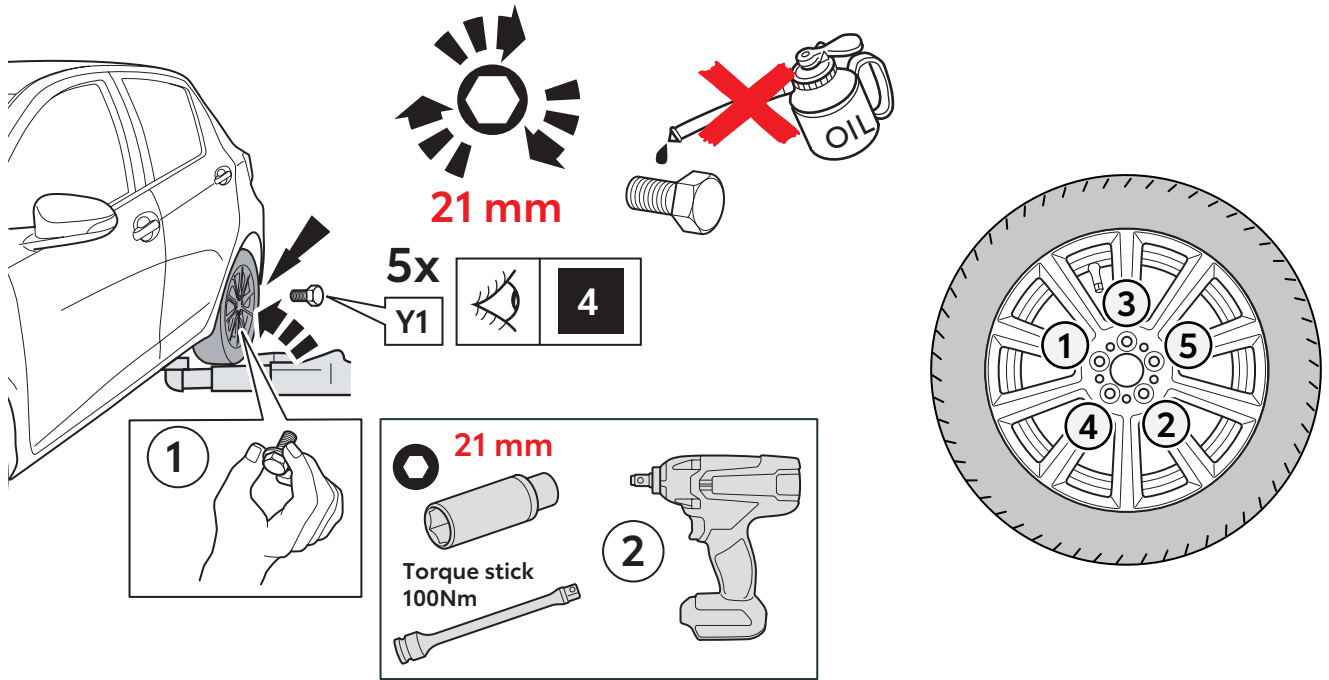


14

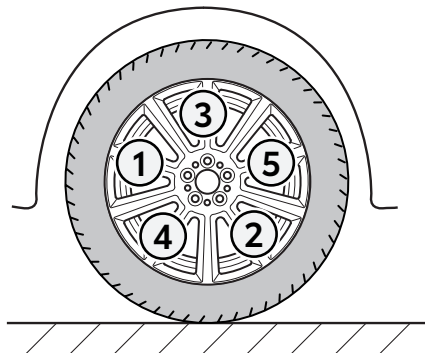
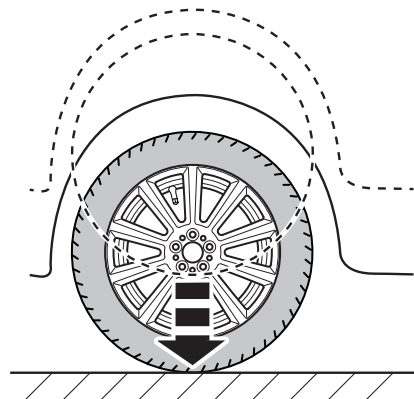


ALTERNATE

15



15

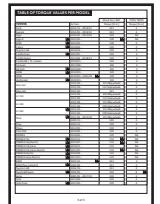


Click



WHEEL TORQUE VALUES

Latest Version
SCAN HERE



16

17



CHECK SHEET

Page 1 of 2

Model/Year Yaris Cross
as from 2021/05

Rear Mudflaps

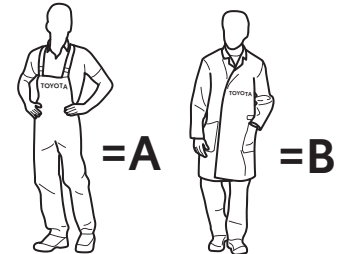
VINn°

DURING INSTALLATION

1

2

Serial Number



3

LHS

RHS

Click

1x Y2

LHS RHS

4


LHS

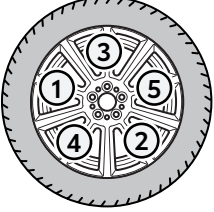
RHS

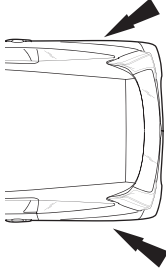
2x B

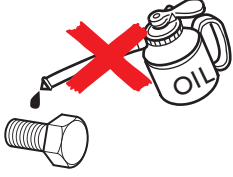
2x B

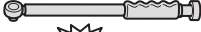
LHS RHS












Click

WHEEL TORQUE VALUES

Latest Version
SCAN HERE





Wheel	Value
1	
2	
3	
4	
5	


5

A


B








RR = RR = OK





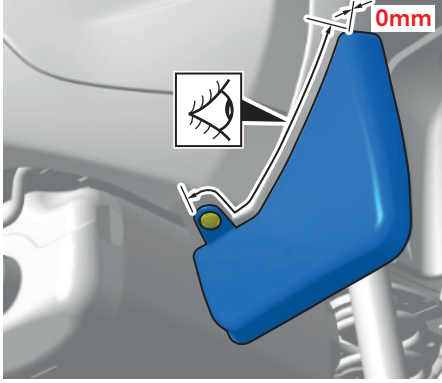
LR = LR = OK


6

A

B

AFTER INSTALLATION



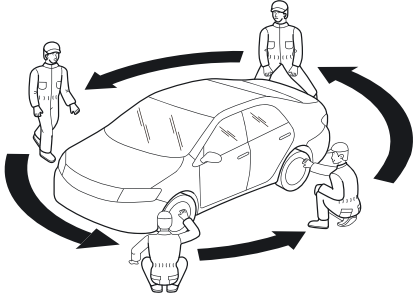



= OK

LHS

RHS

1





= OK

2

Installation Date:

.. / .. / ..

Technician Name & Signature:

Stamp: