



TOYOTA

ALWAYS A
BETTER WAY

Toyota C-HR

Front & rear set mudflaps

Installation Instructions

Model year: 2016/09
Vehicle code: **X*0*-AH****
Part number: PW389-10000 (Rear & front set)

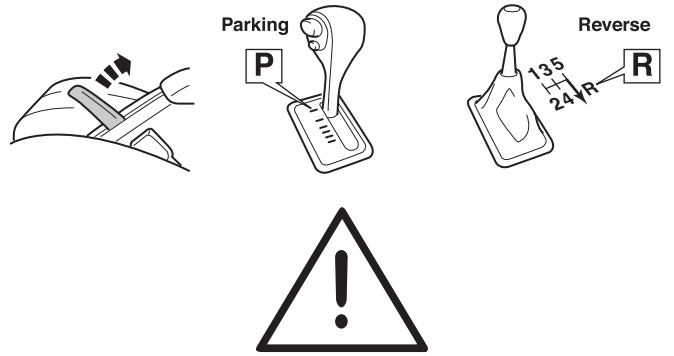
Manual reference number: AIM 003 779-0

Revision record

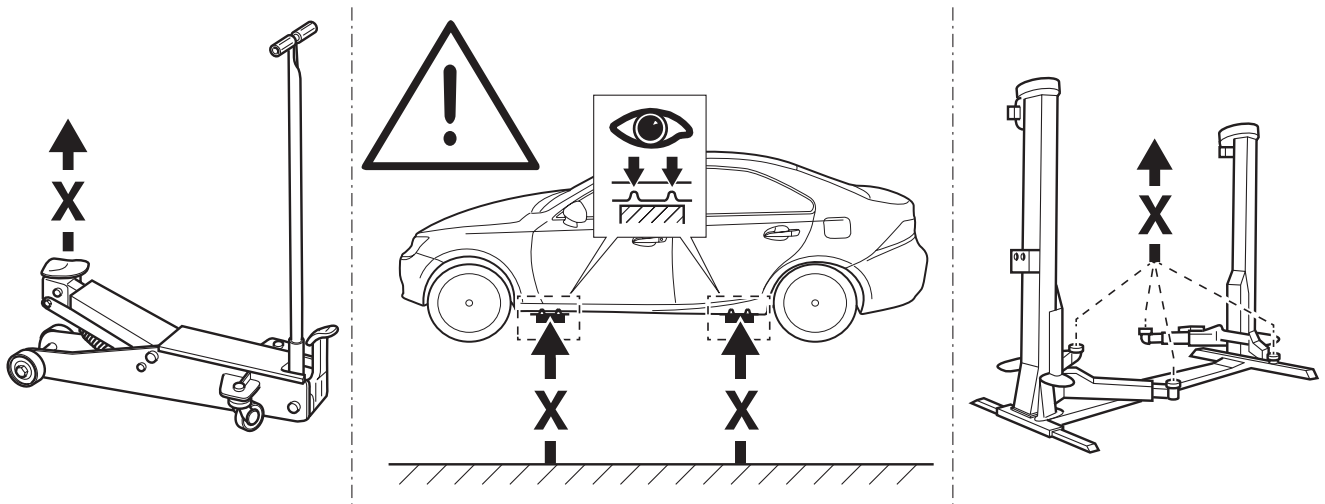
Rev. No.	Date	Page	Picture	Update	New	Deleted steps

<p>A</p>	<p>1x</p>	<p>C</p> <p>25mm</p> <p>4x</p>
<p>B</p>	<p>1x</p>	<p>D</p> <p>2x</p>
		<p>E</p> <p>12mm</p> <p>4x</p>

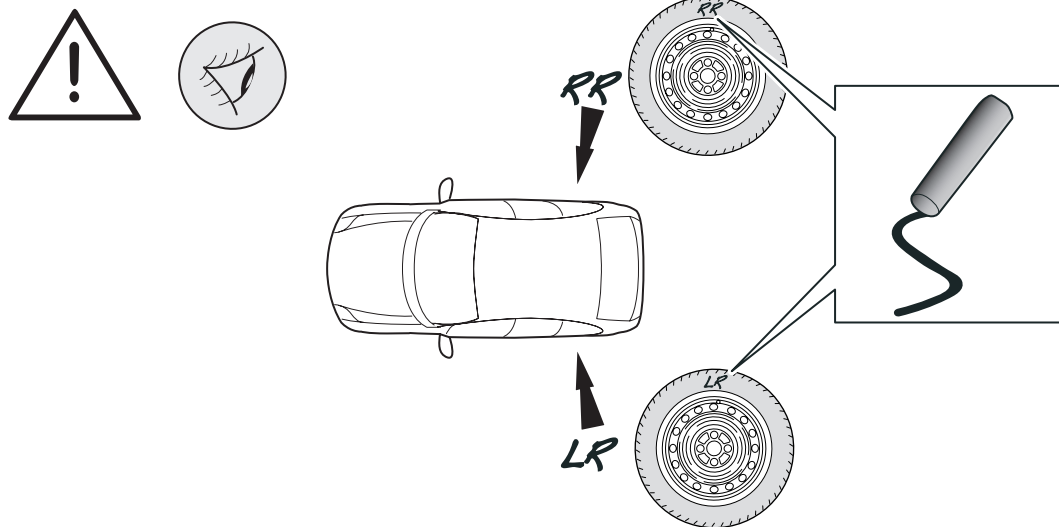
<p>10 mm 21 mm</p>	<p>Ø 6 mm</p>		



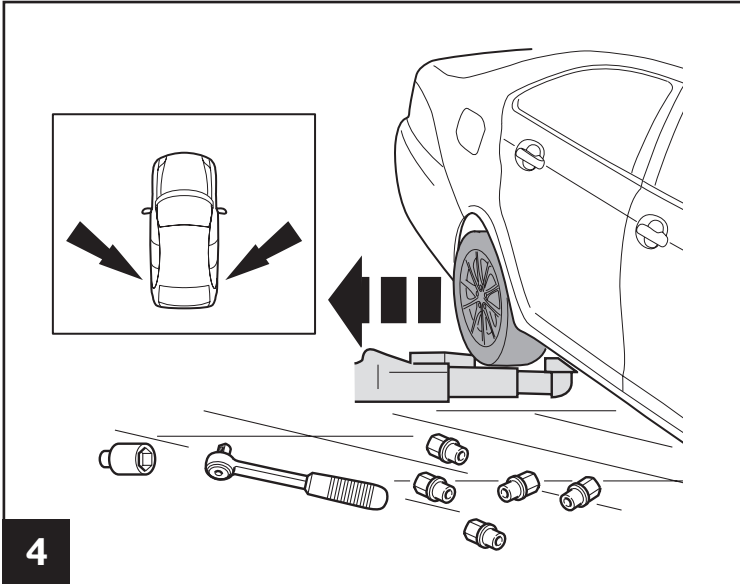
1



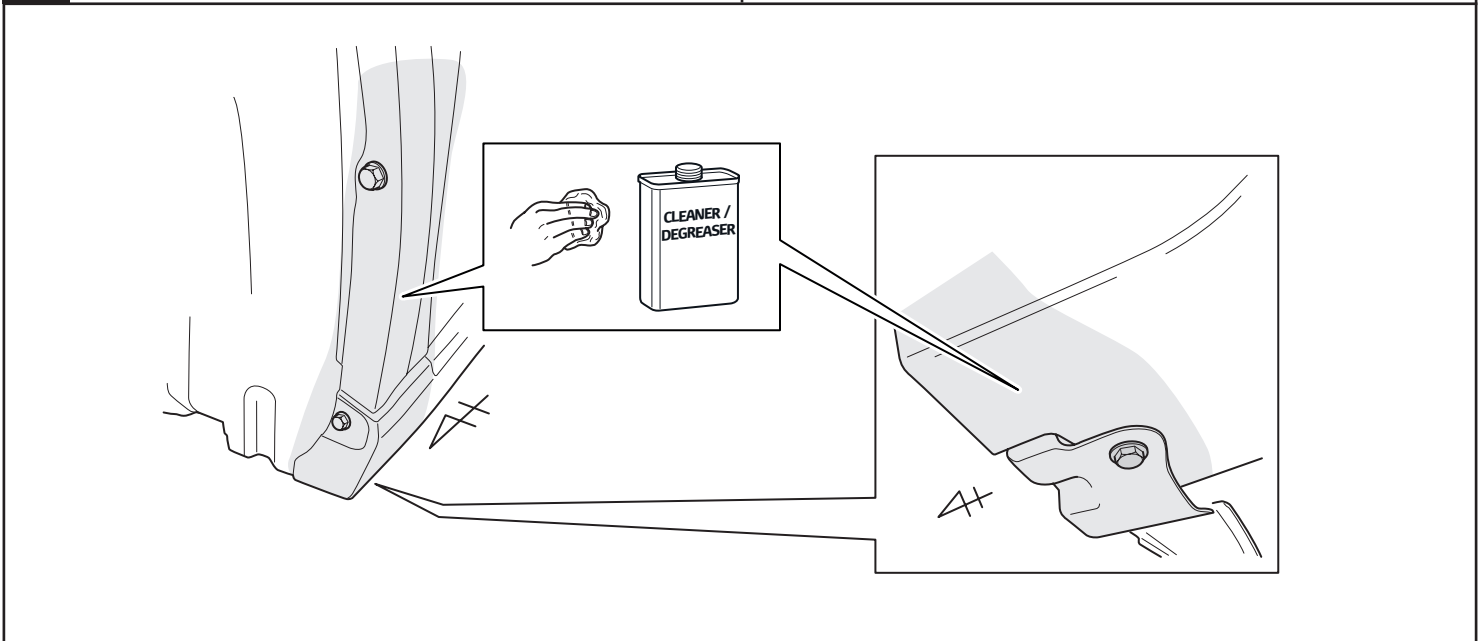
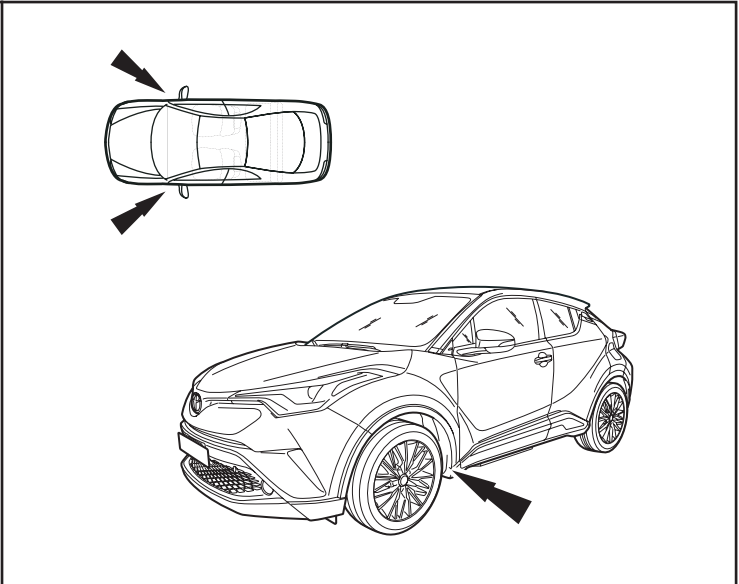
2



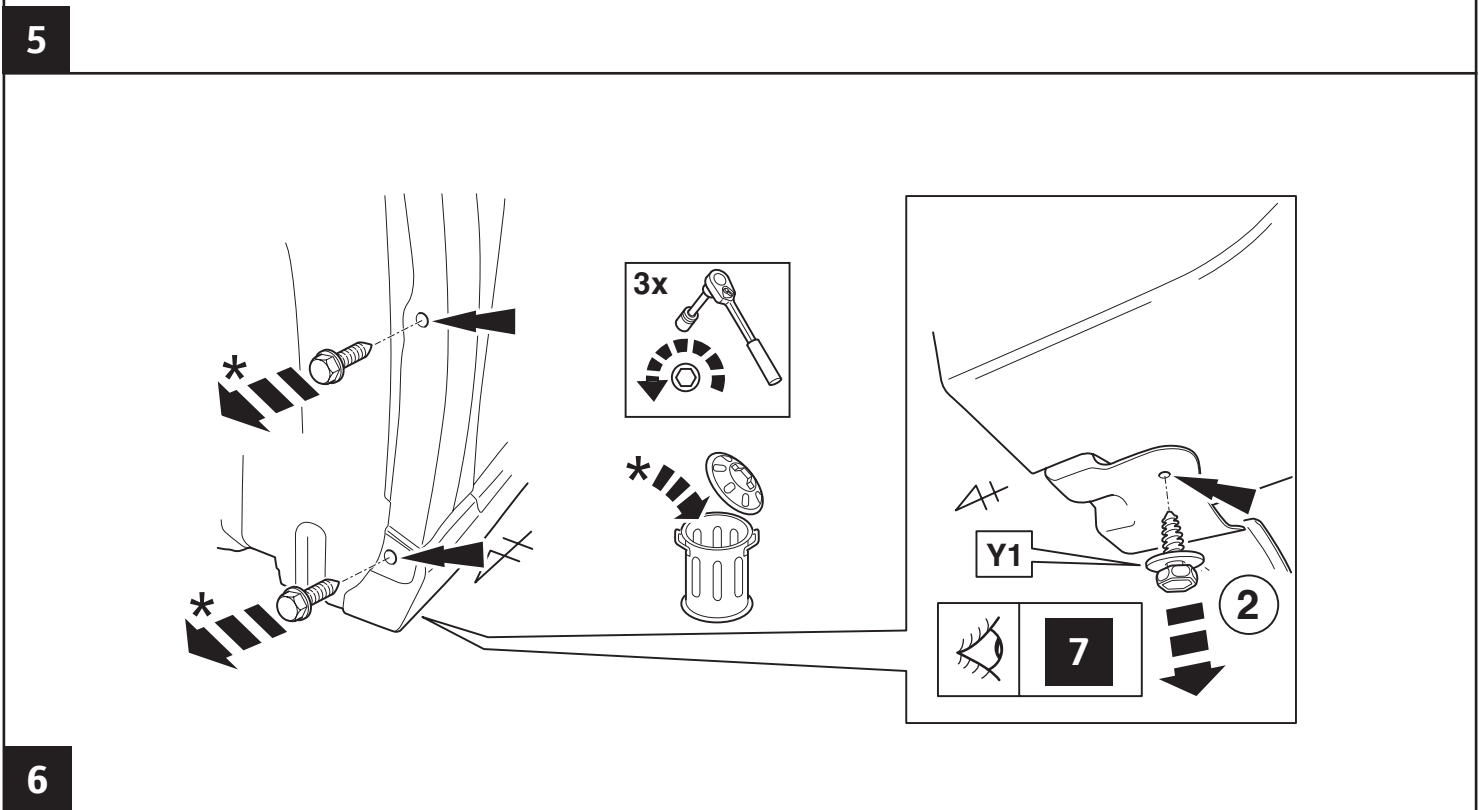
3



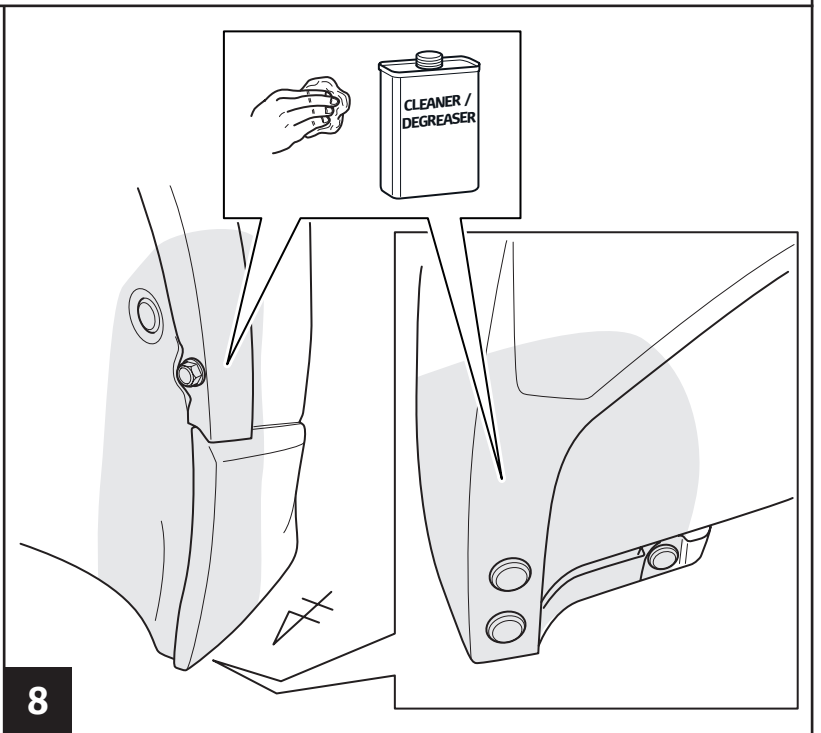
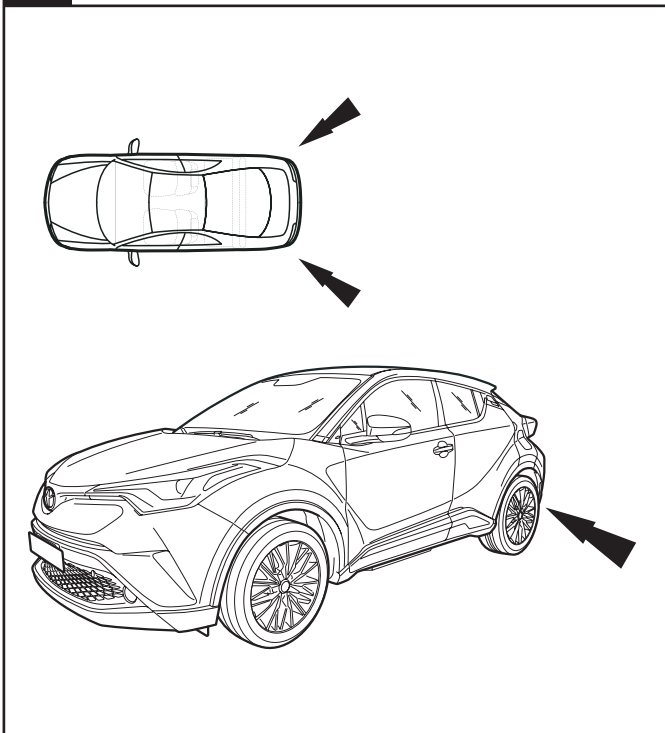
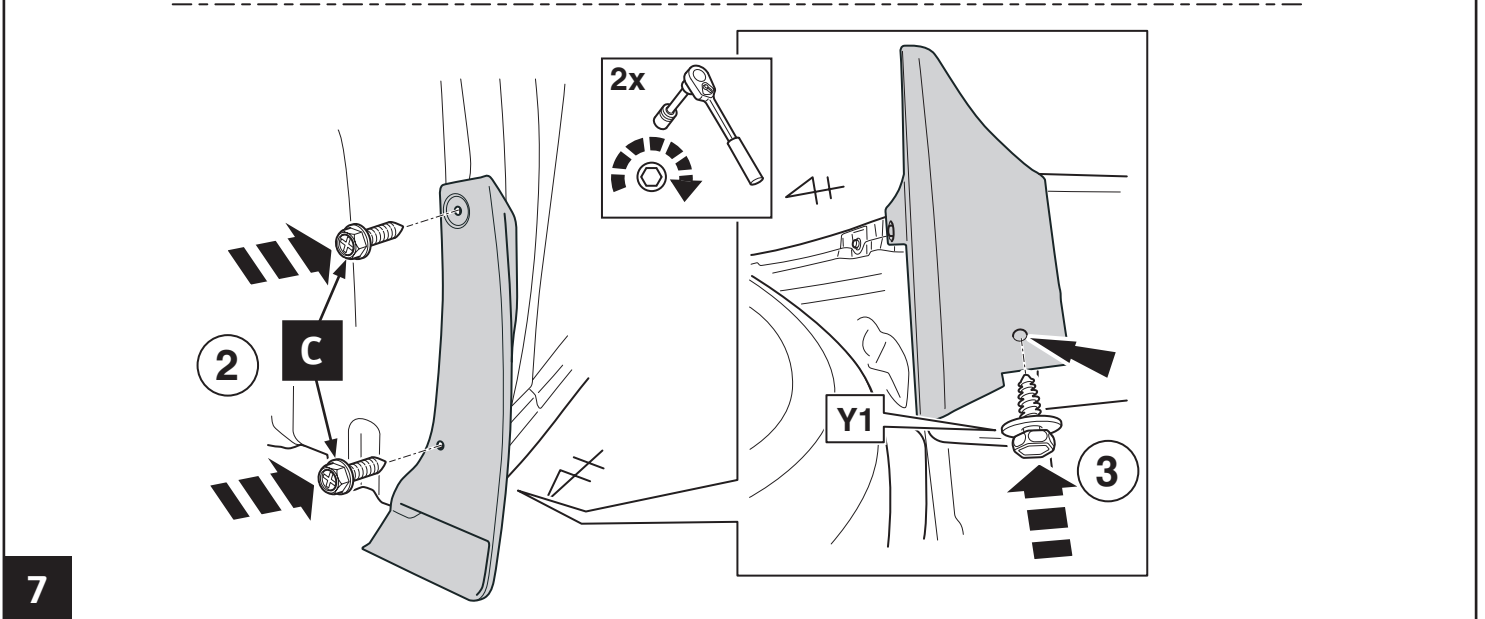
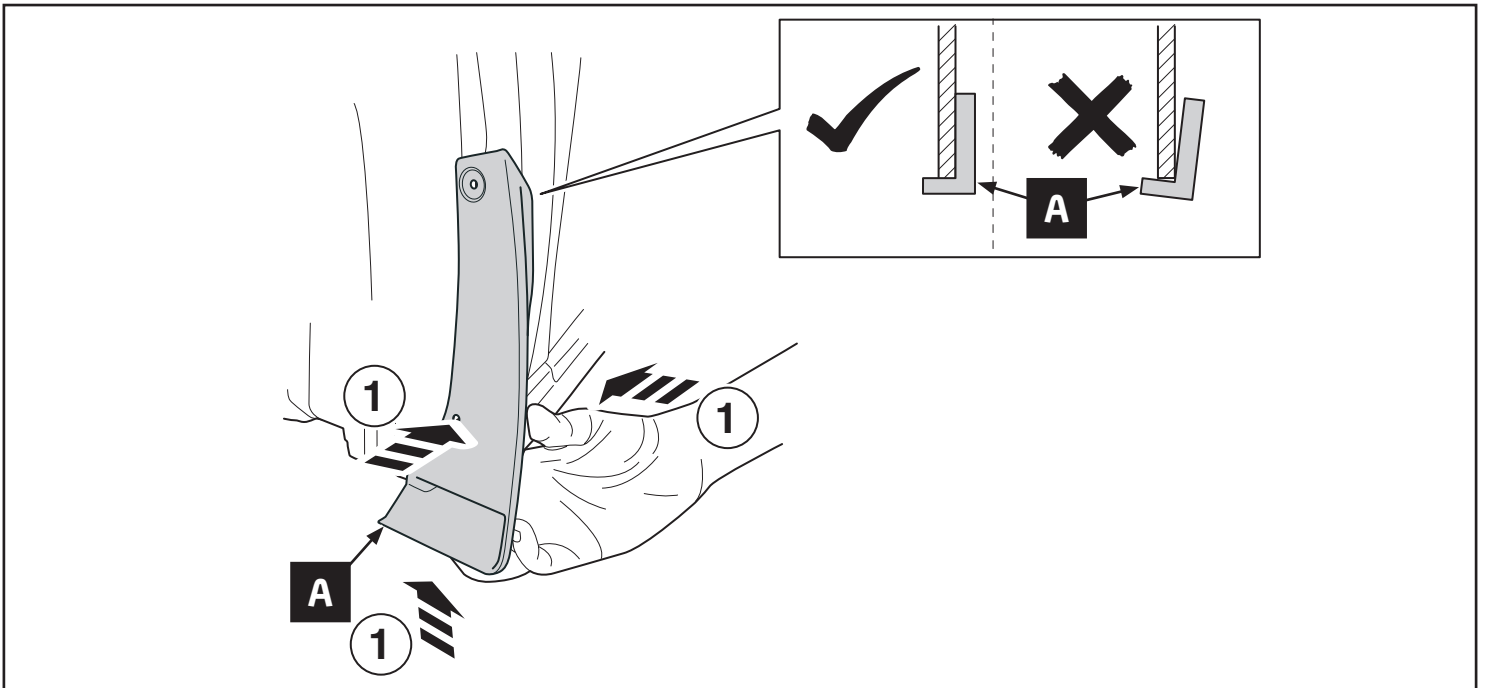
4



5

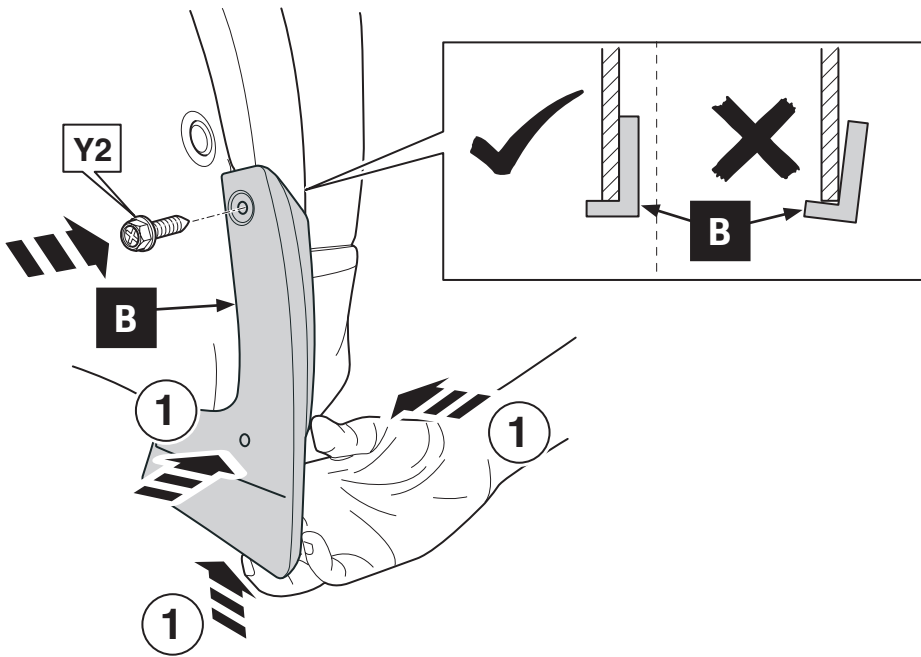
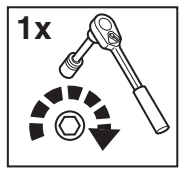
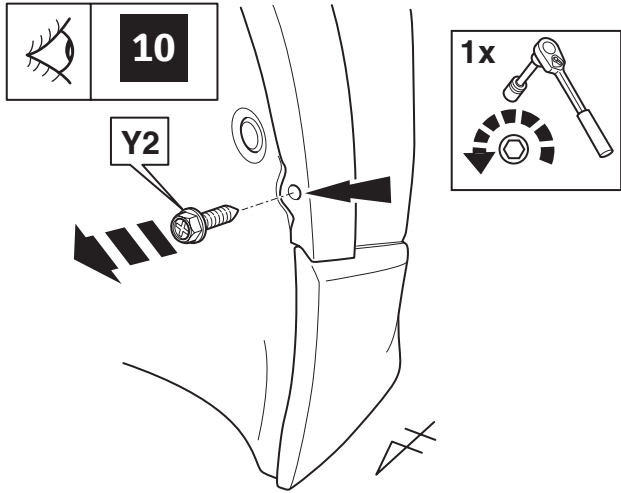


6

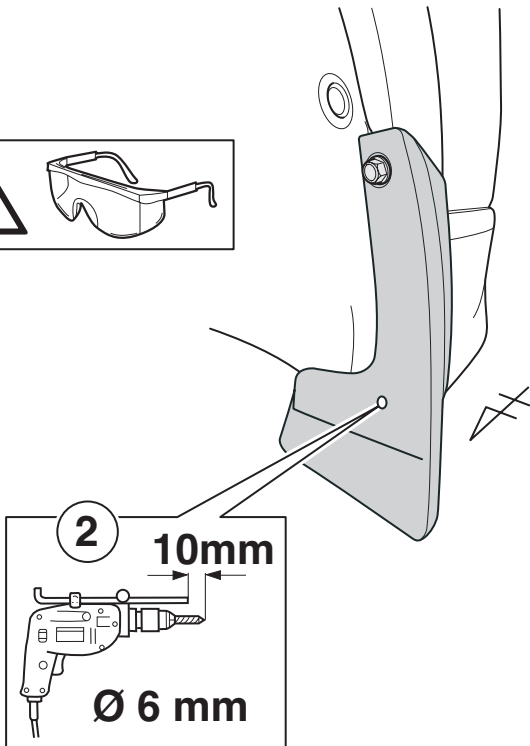


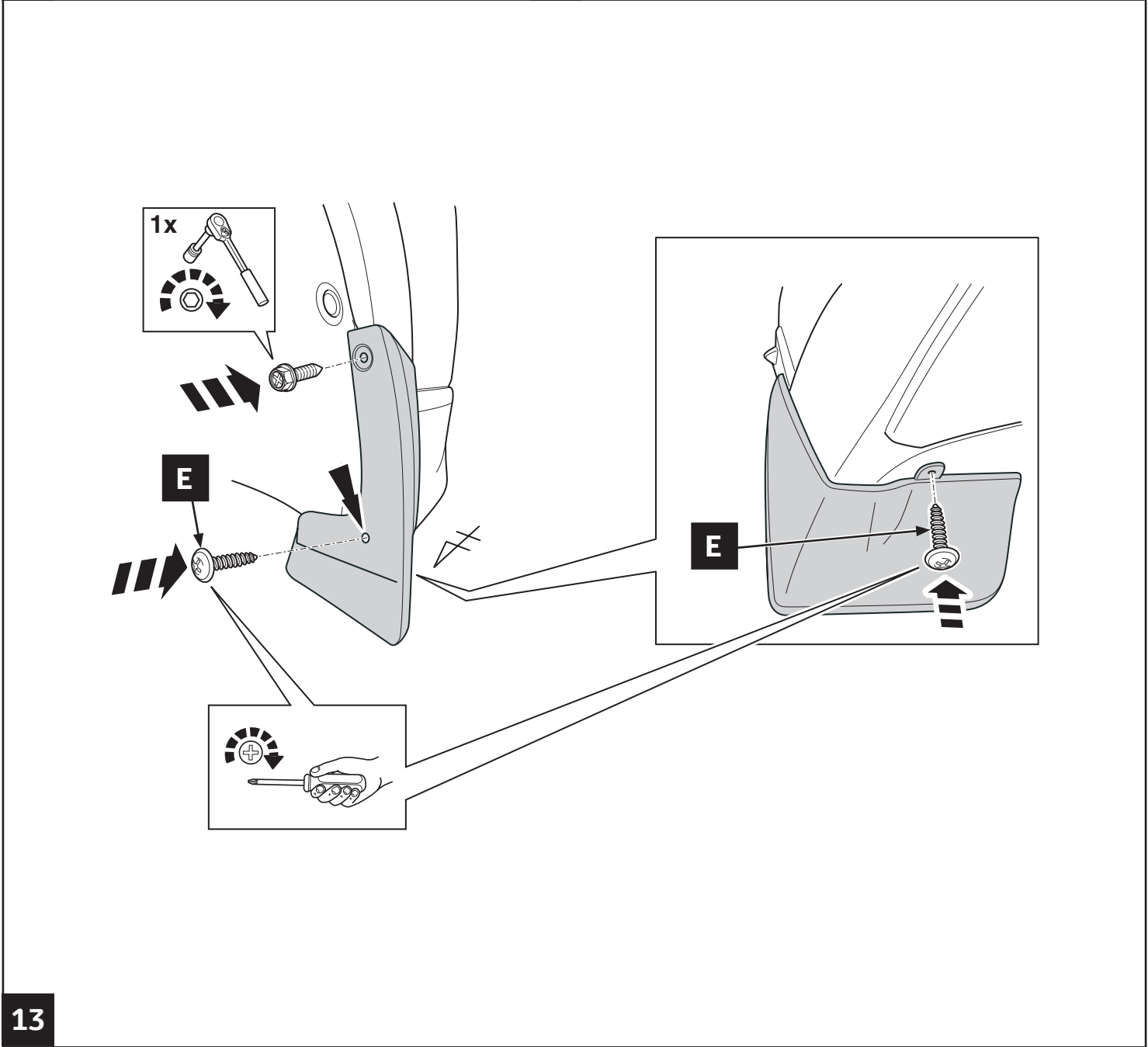
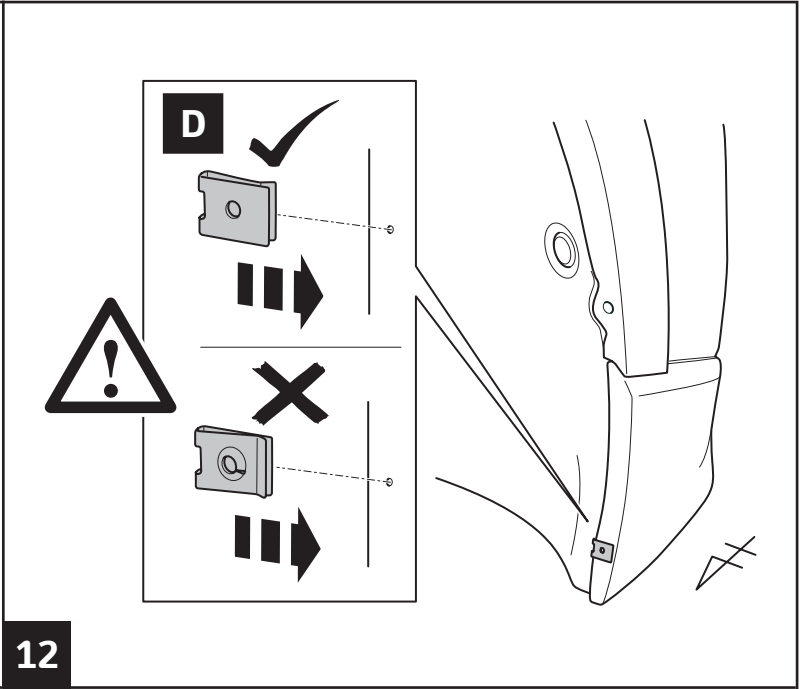
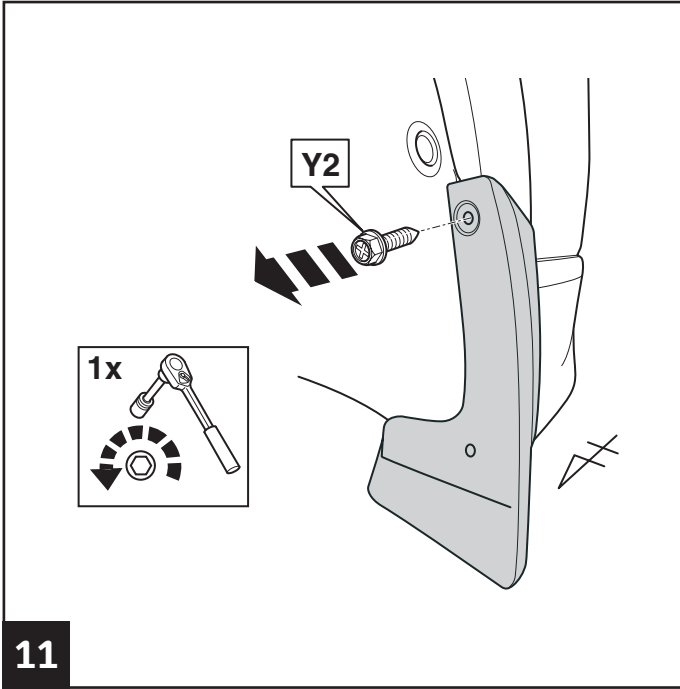
8

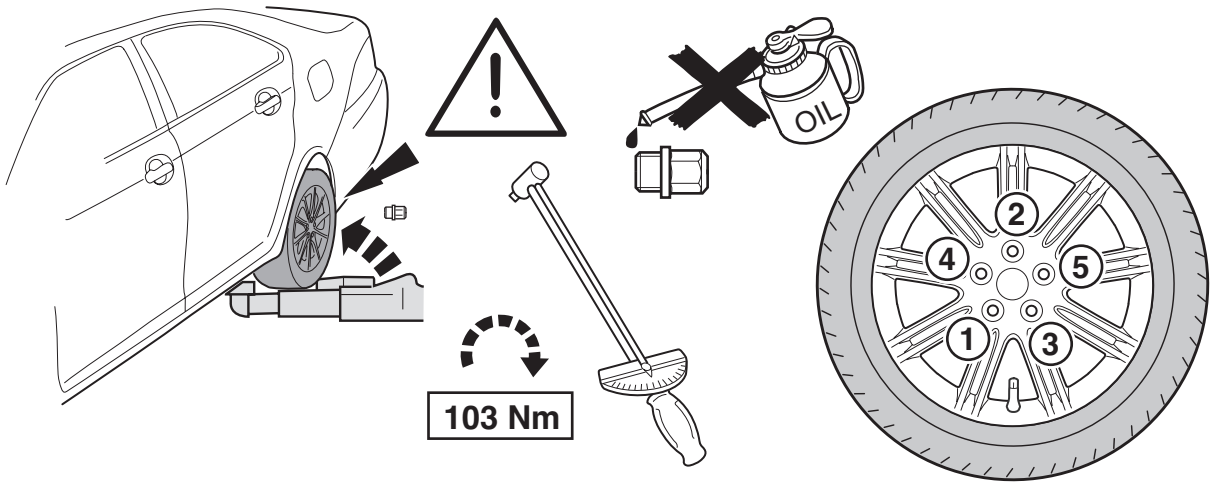
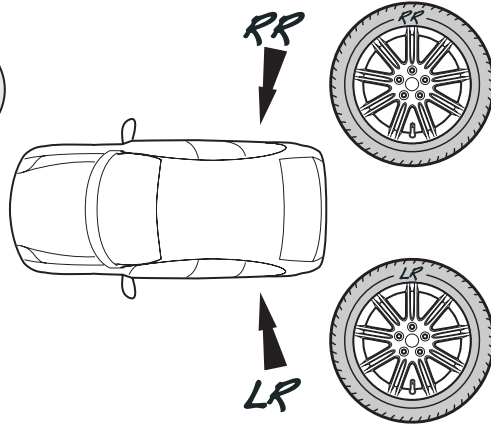
9



10







14

CHECK SHEET



TOYOTA

ALWAYS A BETTER WAY

Model / Year

Toyota C-HR
2016/10

Front & Rear
Set Mudflaps

VIN n°

P/N = OK

=A =B

Serial Number

103 Nm

A A

B B

LH = RH

= OK

= OK

LH = RH

= OK

= OK

= OK

Installation Date:

.. / .. / ..

Technician Name & Signature:

Stamp: