

Front skirt INSTALLATION INSTRUCTIONS NX (non F-Sport)

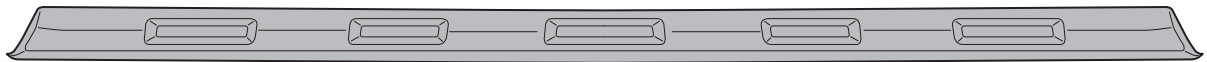
Model year	As from 2017/09
Vehicle code	**Z1**-AW***W
Part number	PW415-78000

Revision Record

Rev. No.	Date	Page	Picture	Update	New	Deleted
1	18-04-18	2, 5-10, CS	5, 7, 9-13	X		12, 13
Rev. No.	Date	Page	Picture	Remarks		
2	07-05-2021	9	13	Tighten detail added		

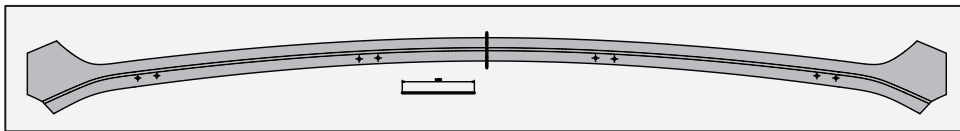
PW415-78000

A



1x

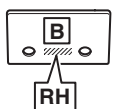
J



1x

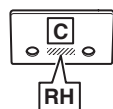
PW415-78001

B



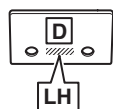
1x

C



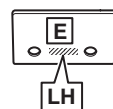
1x

D



1x

E



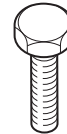
1x

F



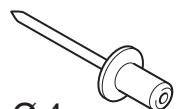
4x

G

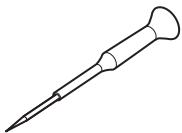


4x

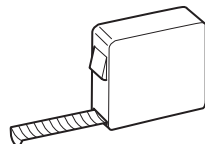
I



Ø 4 mm
8x

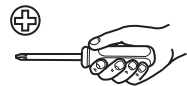


Ø 7 mm



Masking
Tape

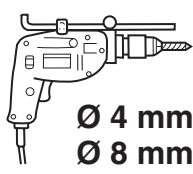
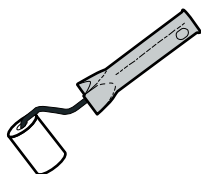
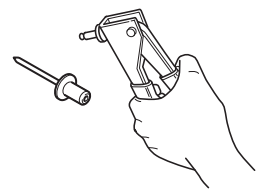
PH2



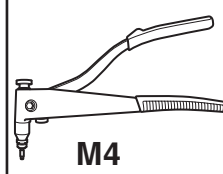
Ø 7 mm



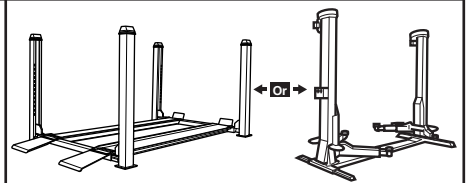
AIM 003-517-*



Ø 4 mm
Ø 8 mm



M4



INFO

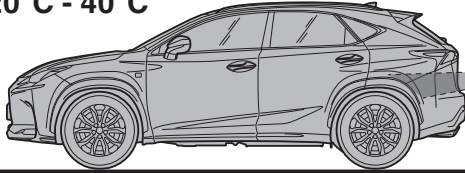


Material Safety Data Sheet

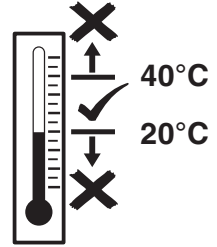
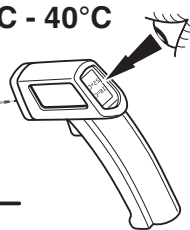


Technical Data Sheet

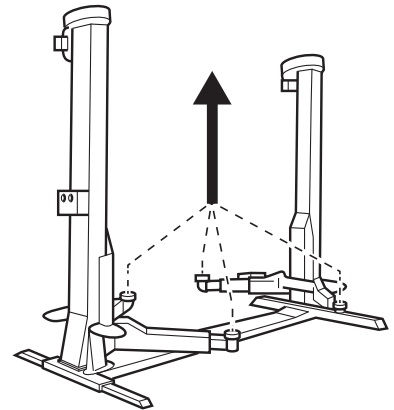
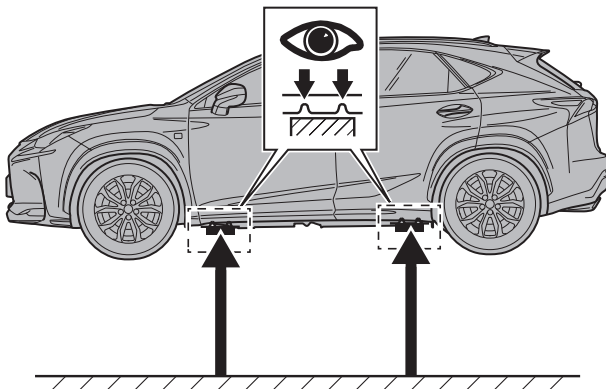
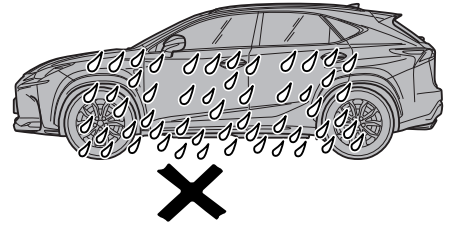
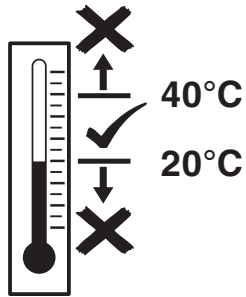
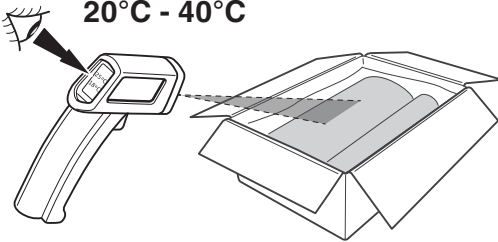
20°C - 40°C



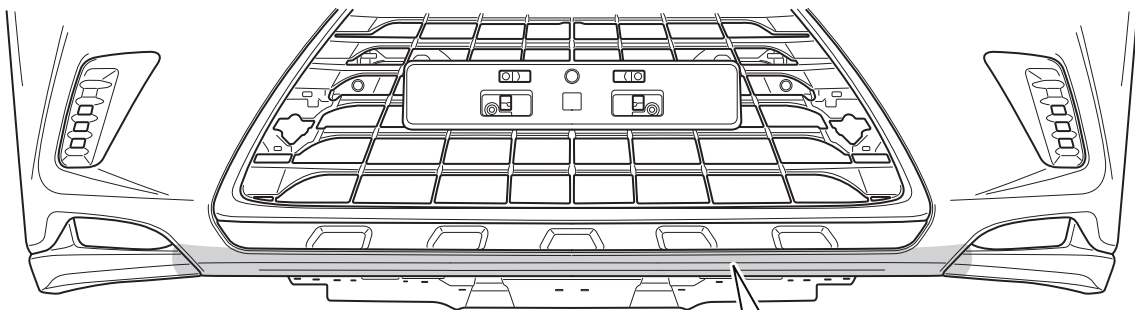
20°C - 40°C



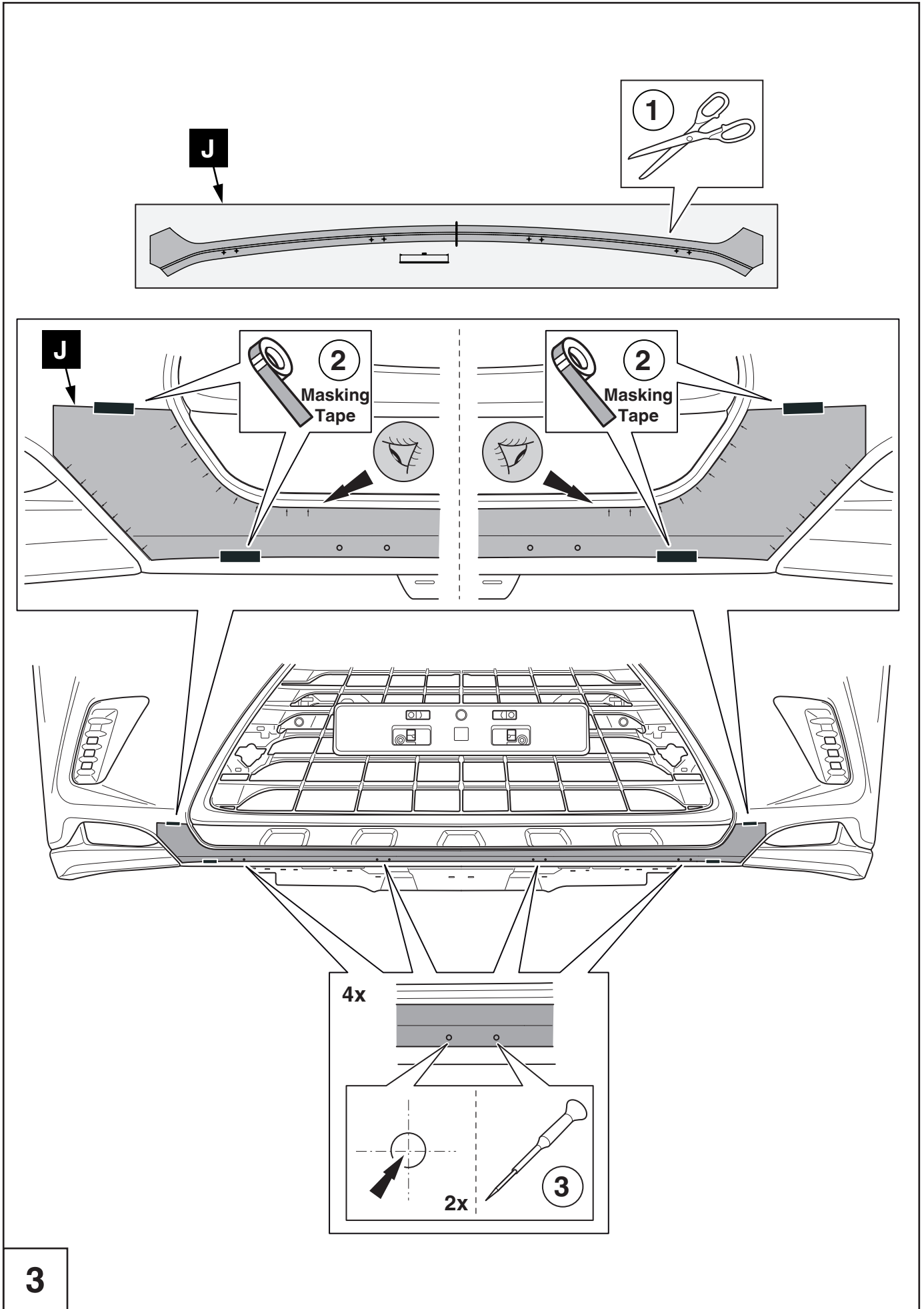
20°C - 40°C

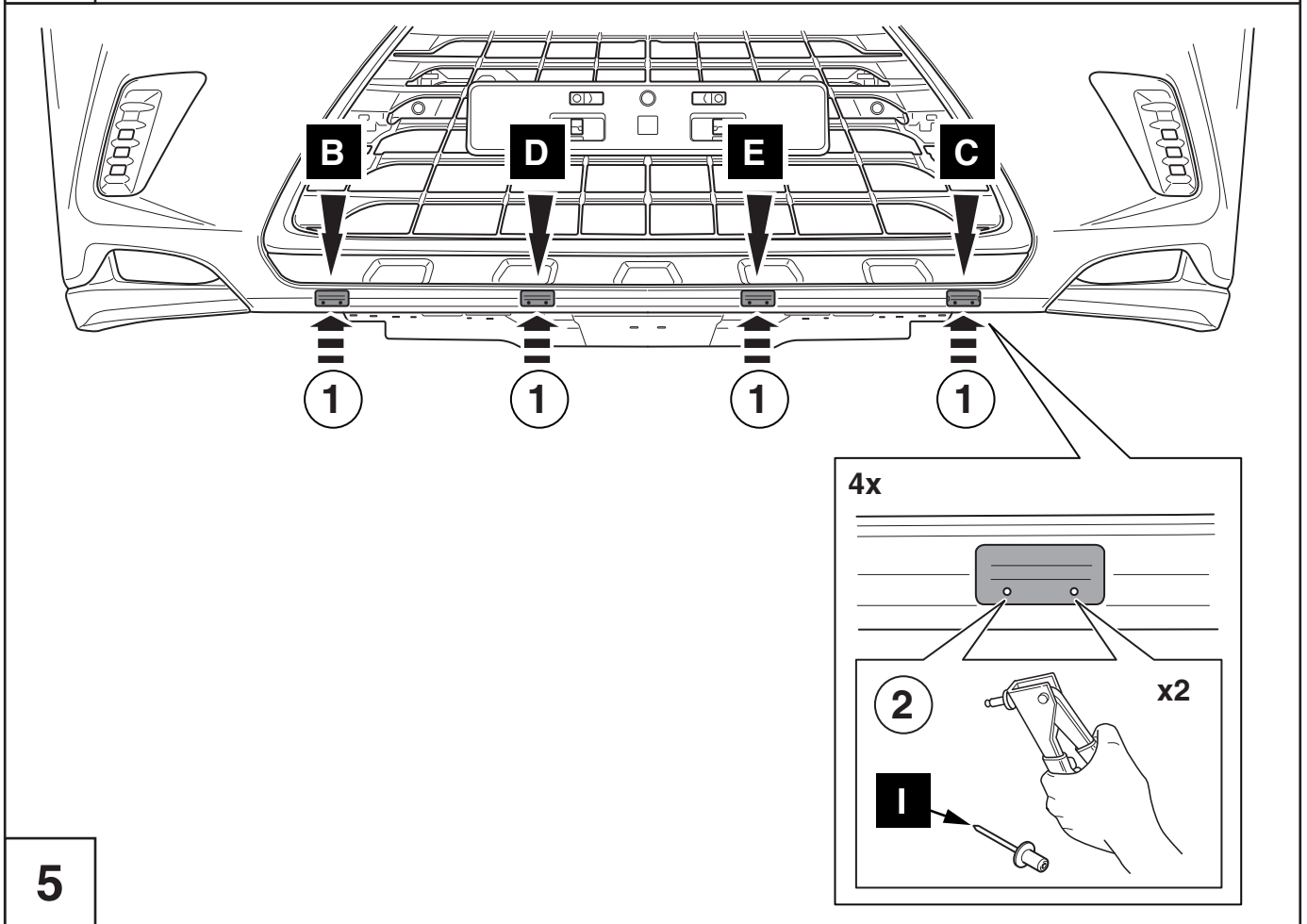
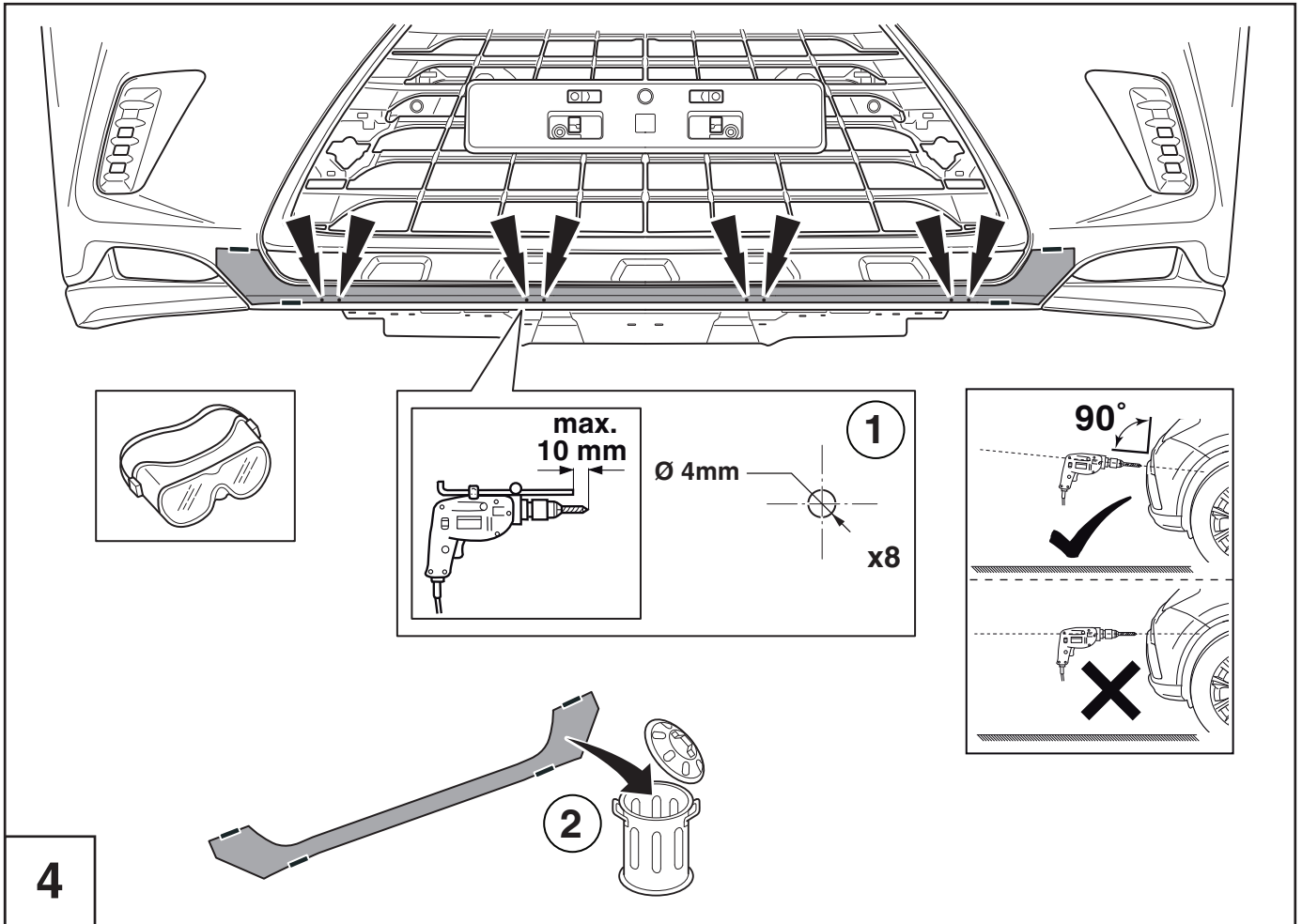


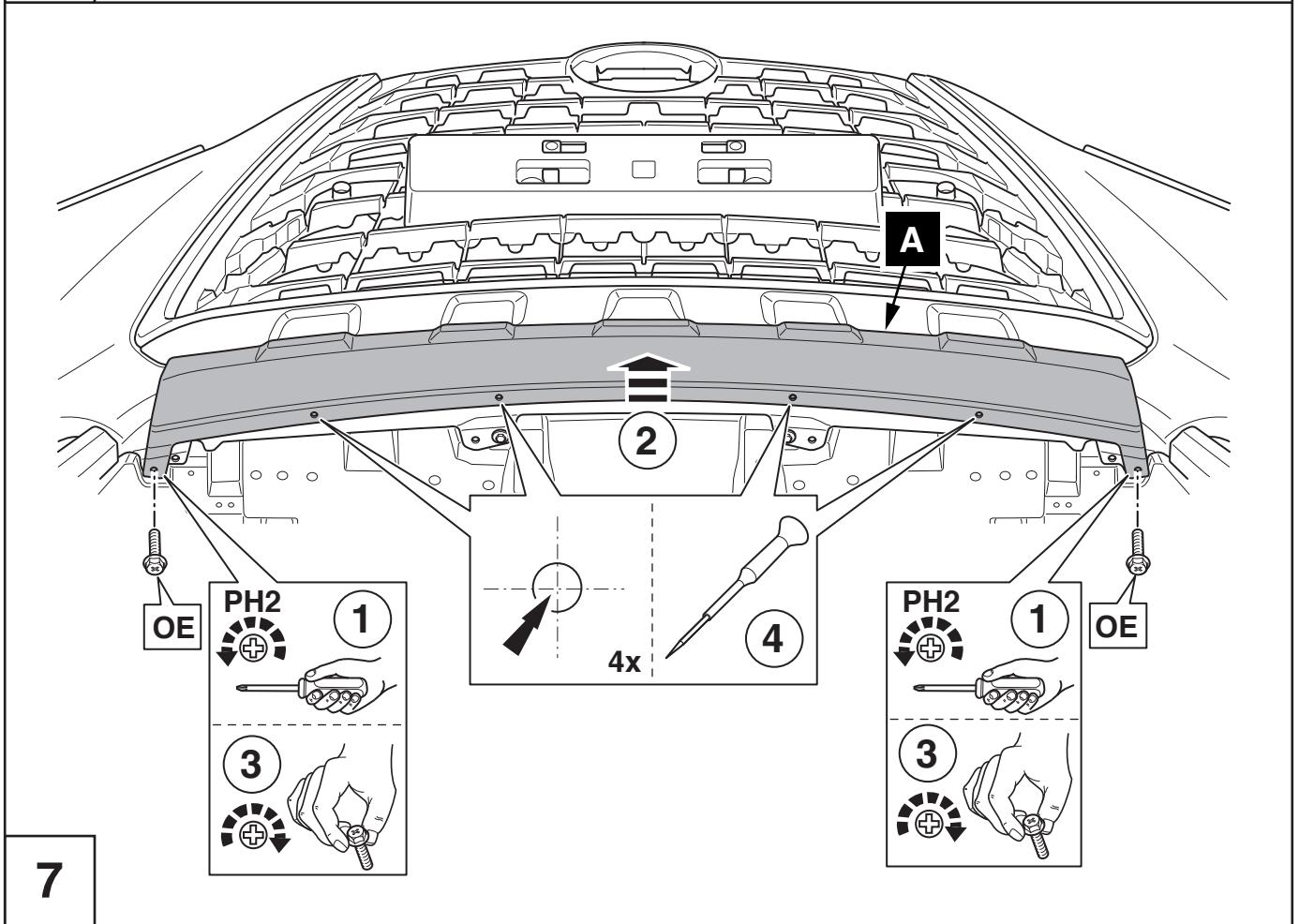
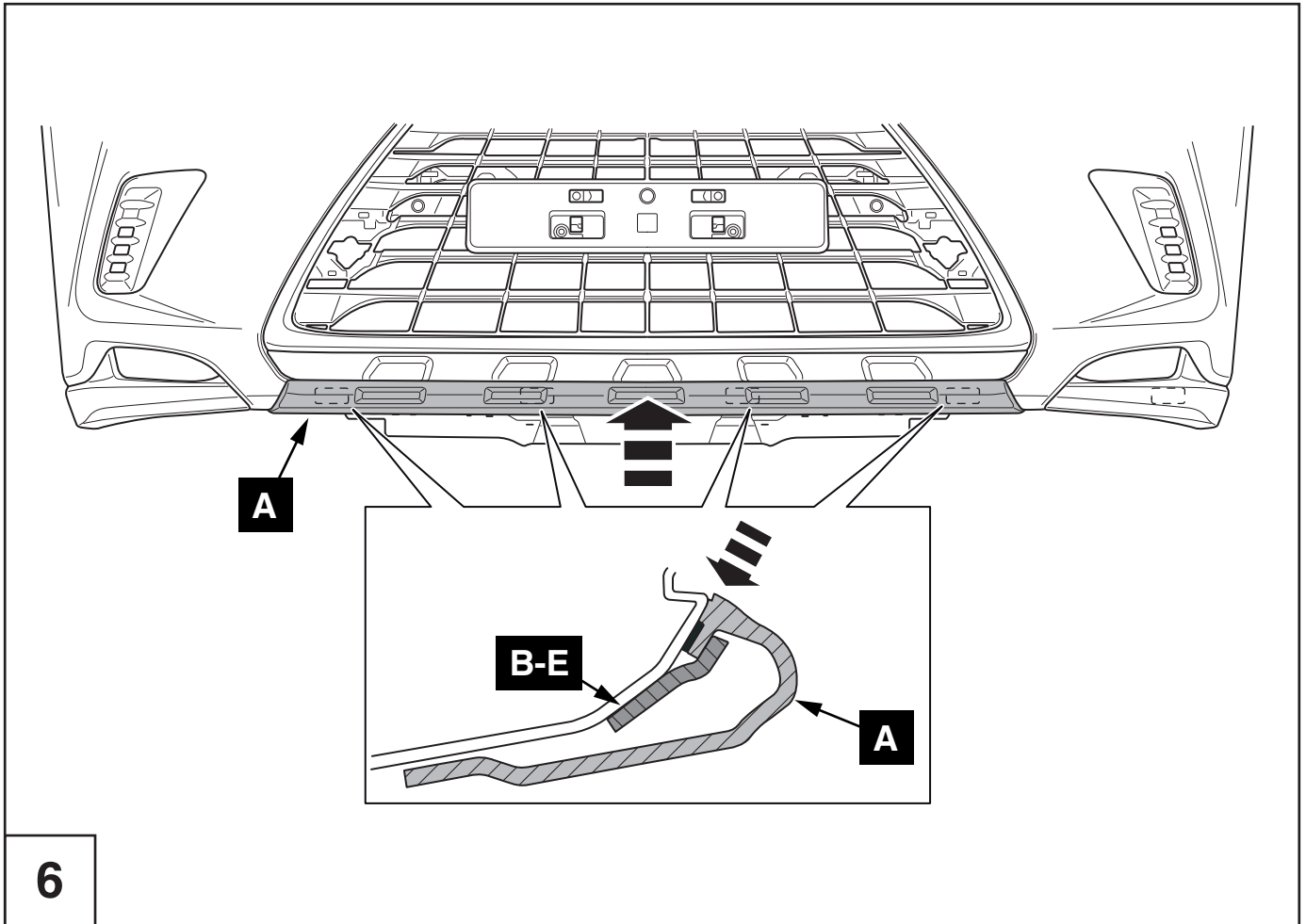
1

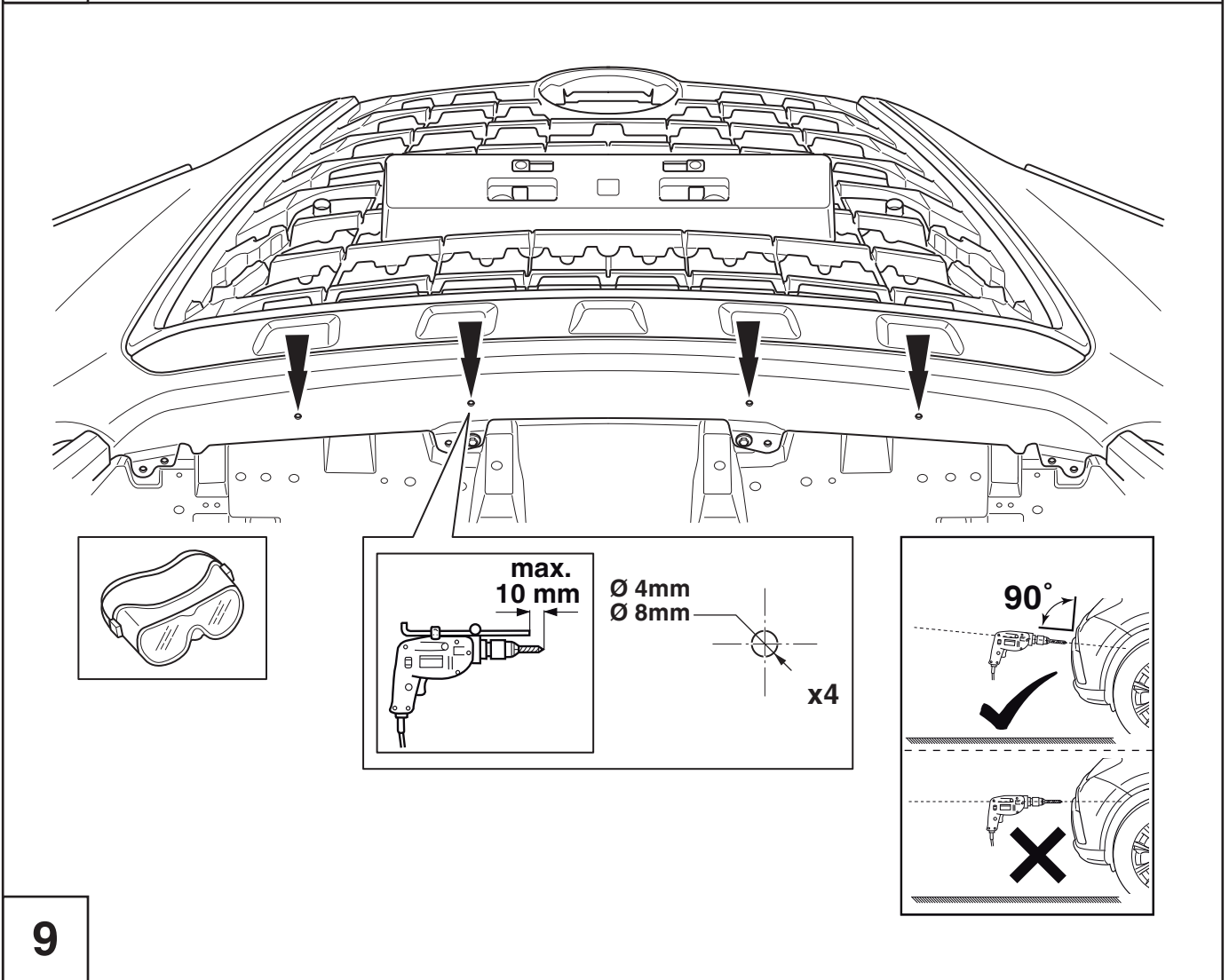
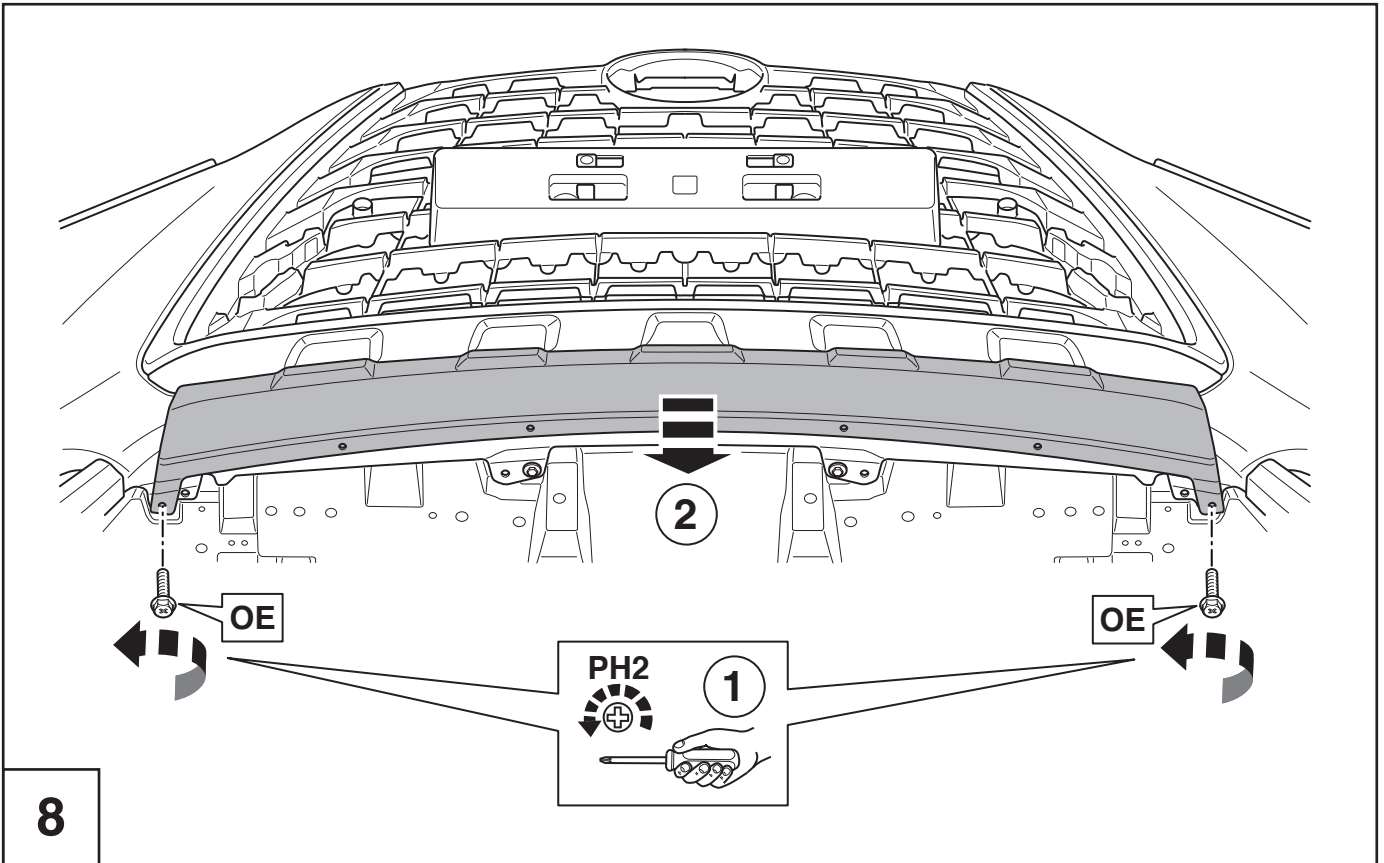


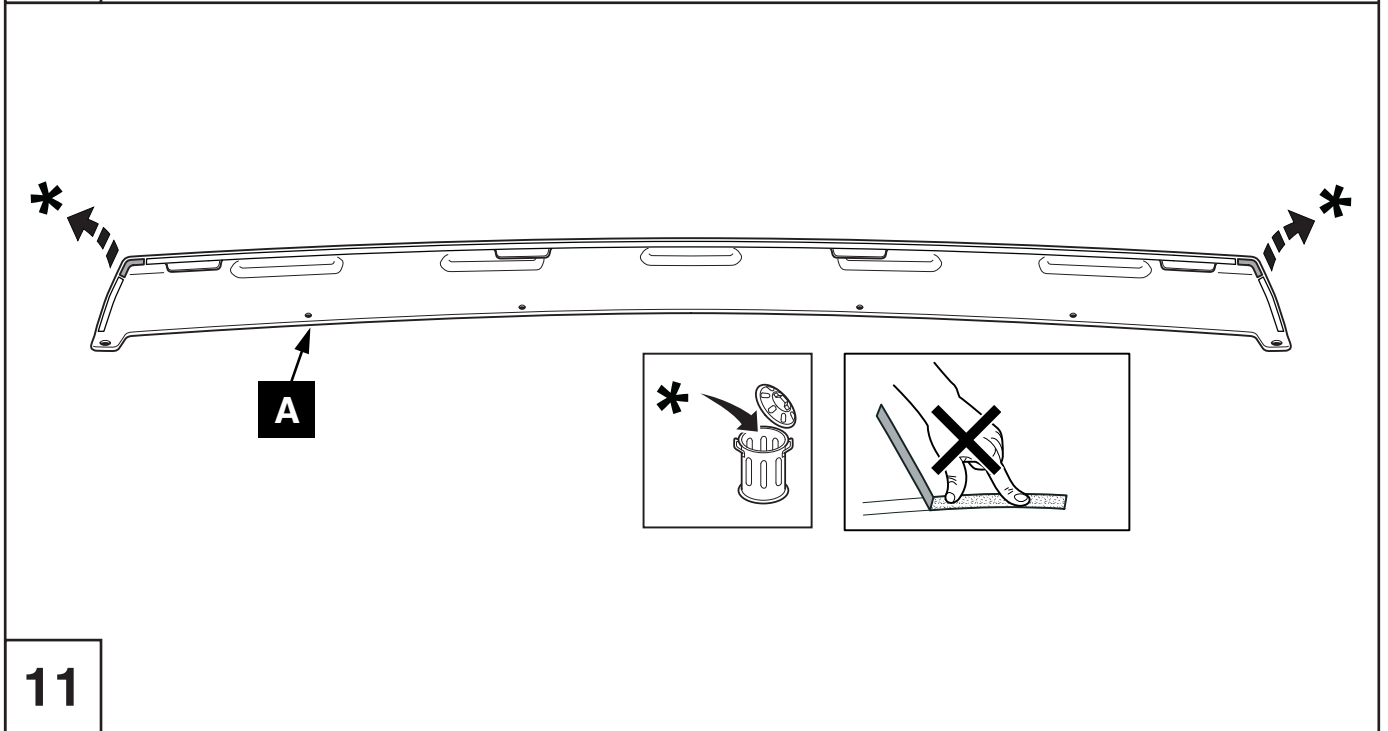
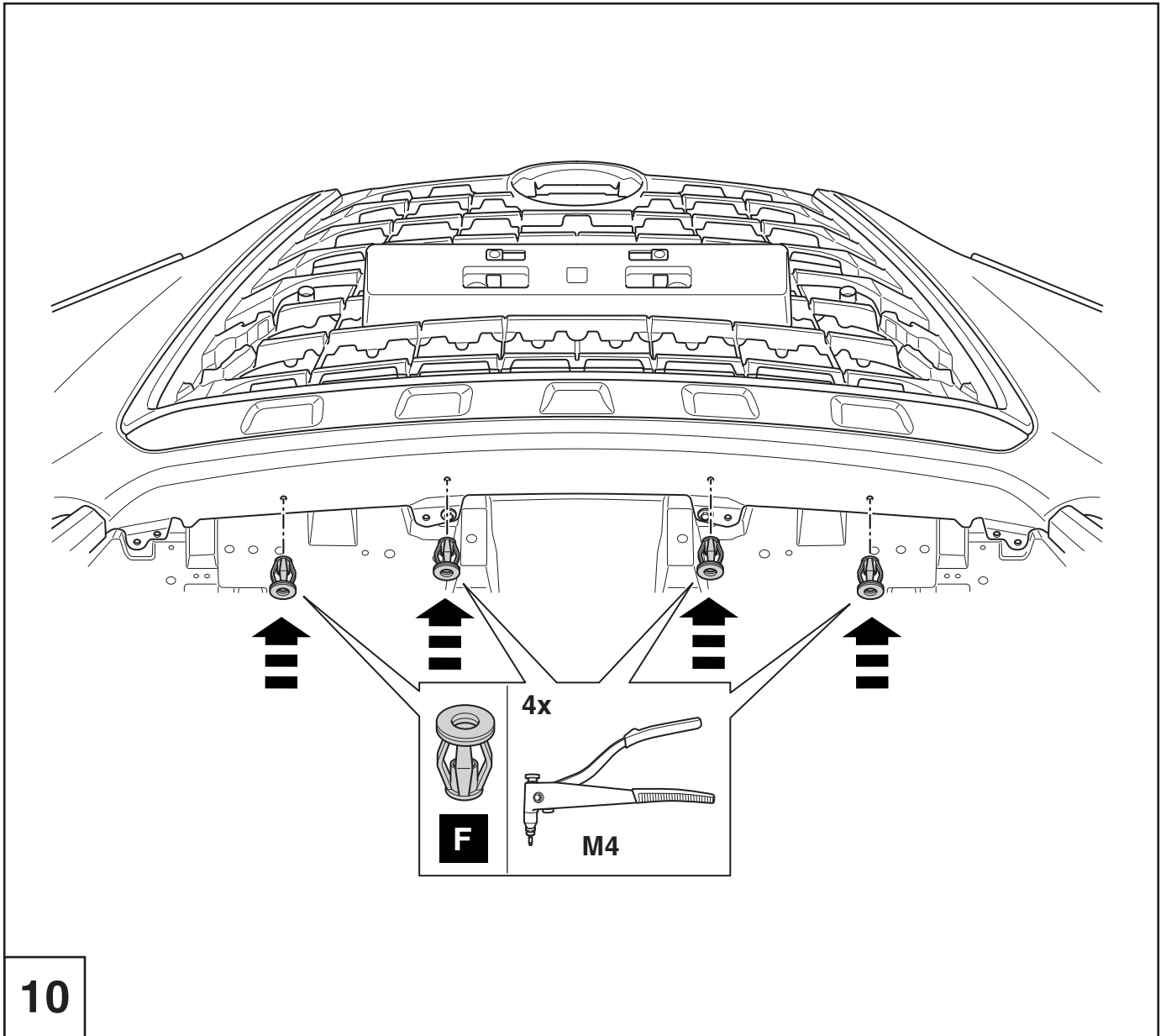
2

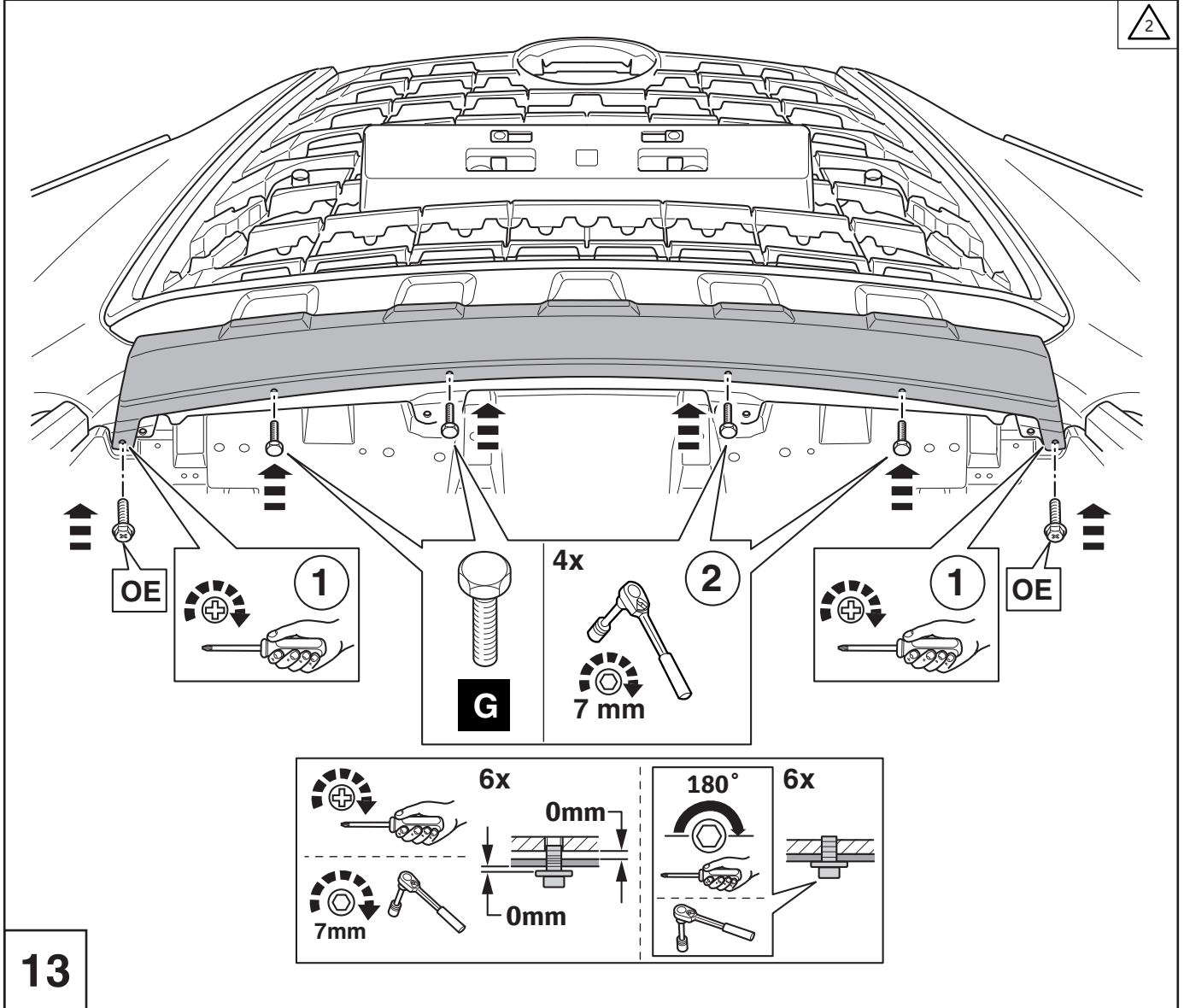
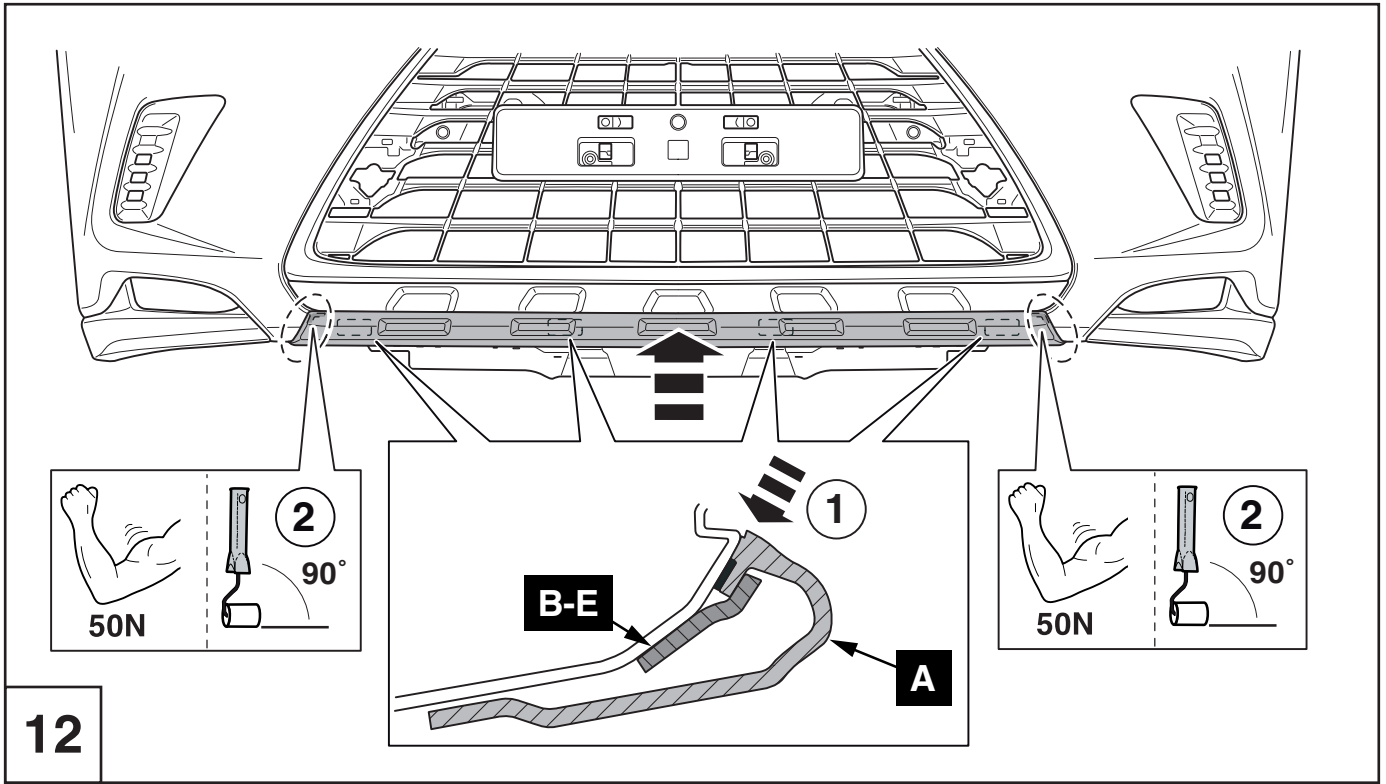


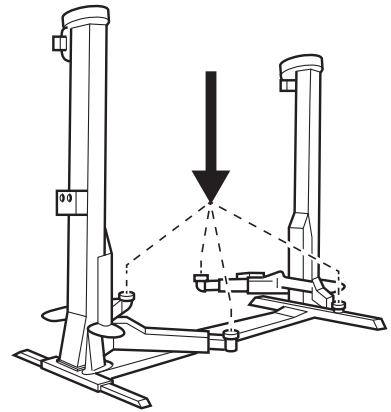
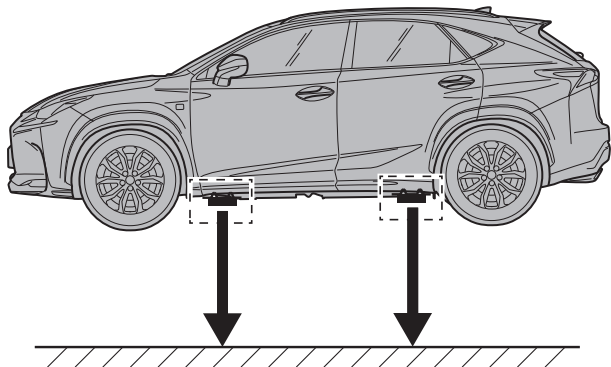






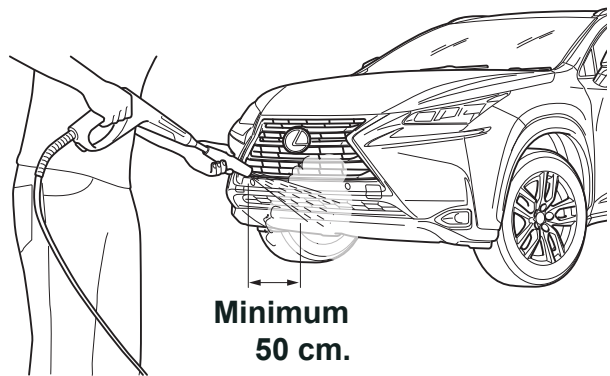
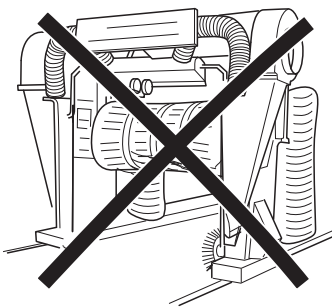
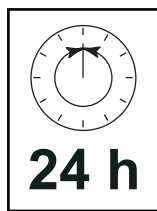
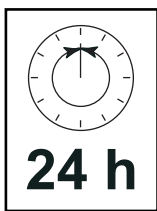
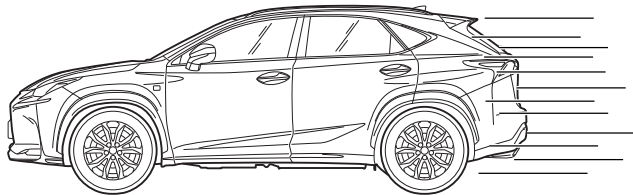
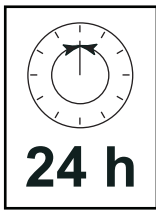






14

INFO



CHECK SHEET

Model/Year **NX (non F-Sport)**
As from 2017/09

Front skirt

VIN n°

DURING INSTALLATION

1 **P/N = OK**

AFTER INSTALLATION

1

6x

2

3

= OK

Installation Date:
 . . / . . /

Technician Name & Signature:

Stamp: