



**TOYOTA**

ALWAYS A  
**BETTER WAY**

# C-HR

## Rear Bumper Protection Film

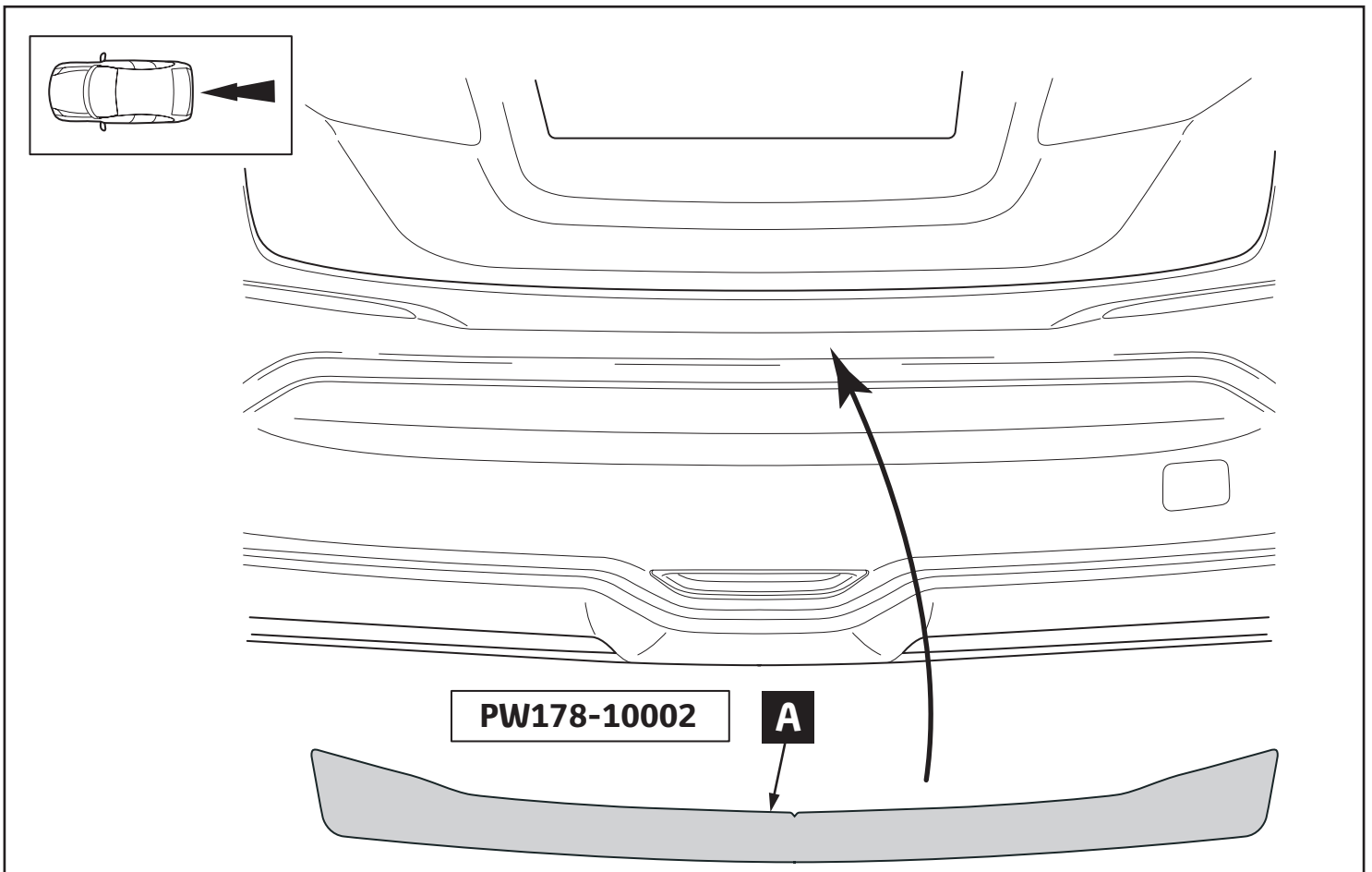
Installation Instructions

Model year:	2016/10
Vehicle code:	NGX*0*-AH**XW ZYX10*-AHX*BW
Part number:	PW178-10002

Manual reference number: AIM 003 733-0

# Revision record

Rev. No.	Date	Page	Picture	Update	New	Deleted steps



PZ438-00030-90



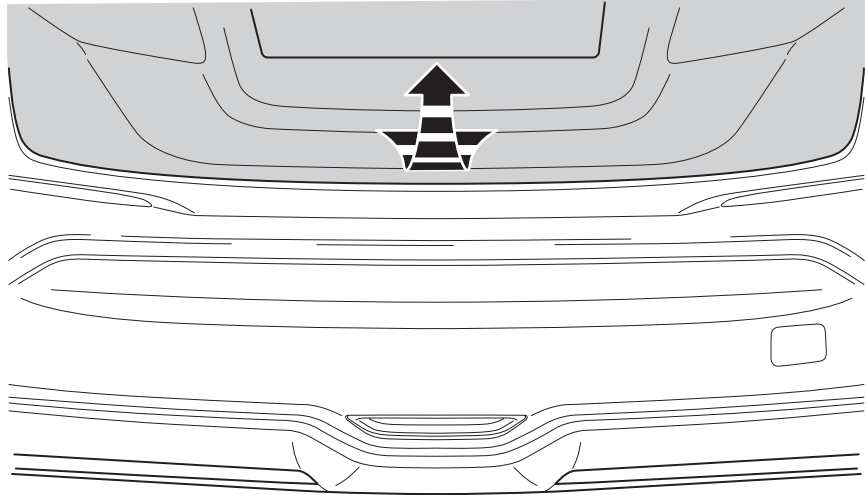
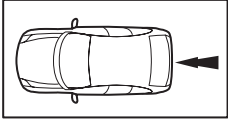
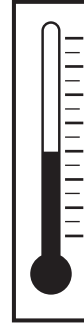
3M Gold squeegee + Low friction sleeve  
NOT INCLUDED



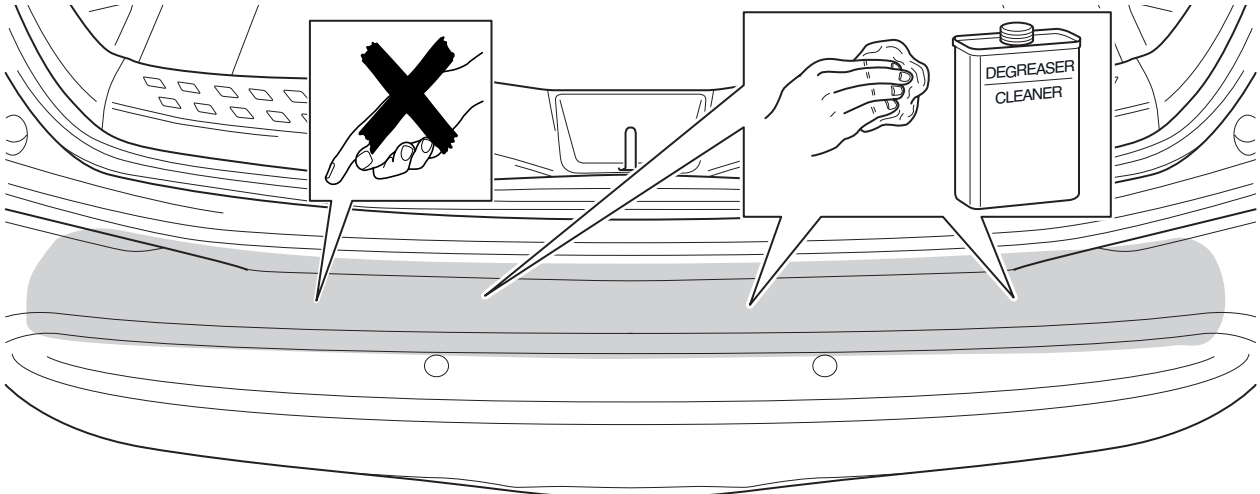


40°C

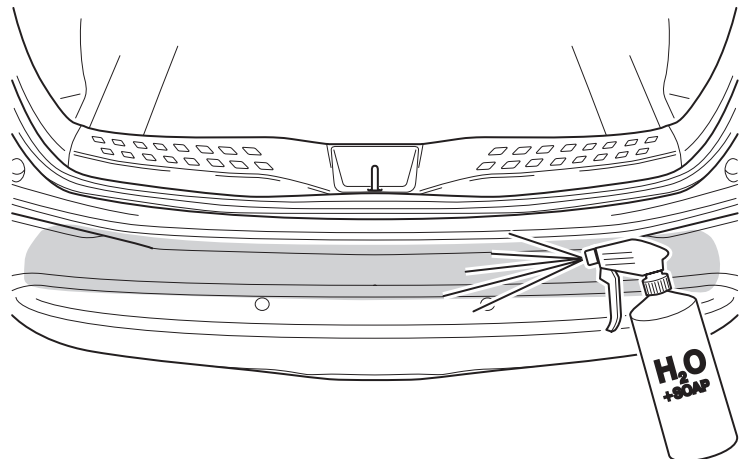
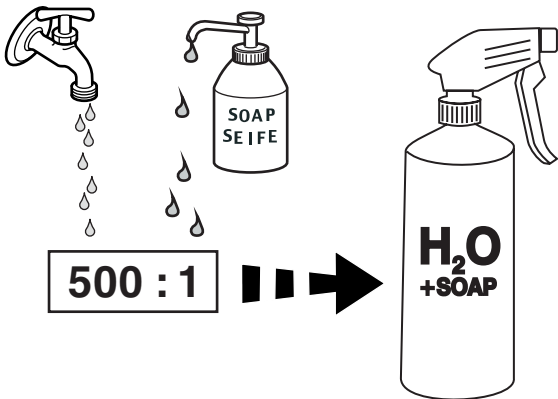
18°C



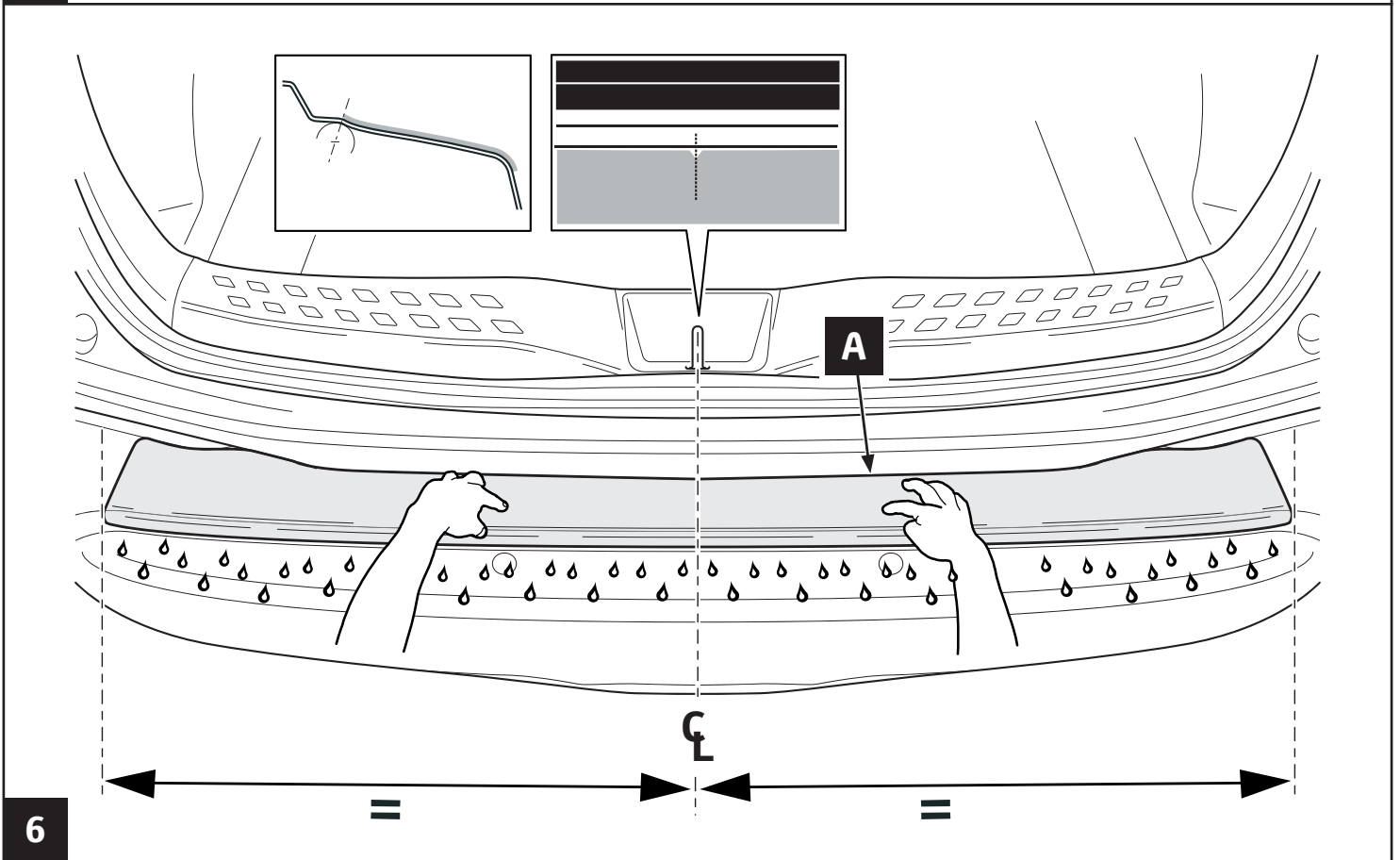
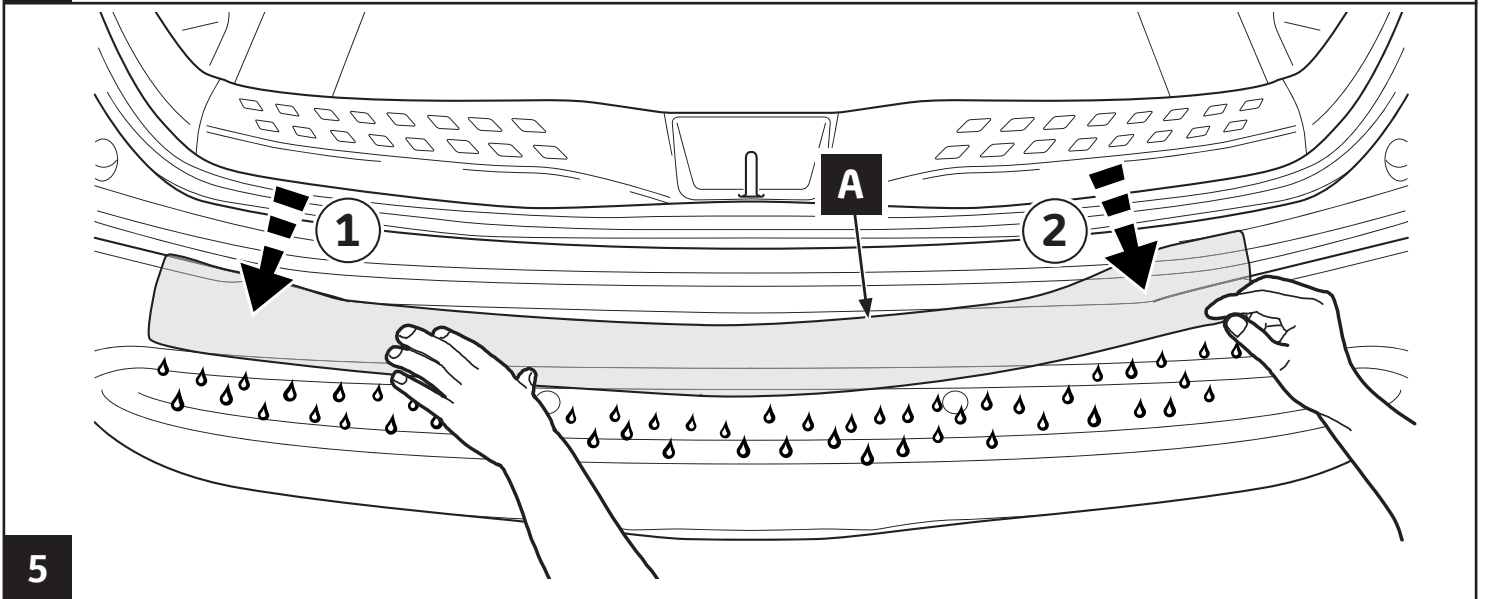
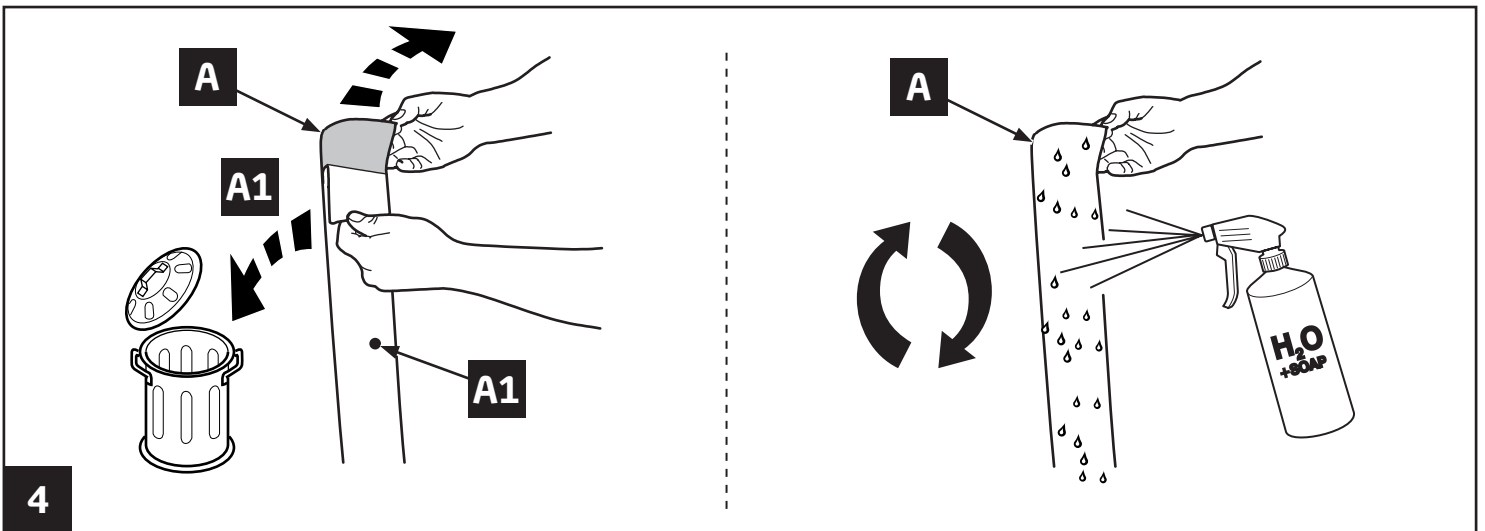
1



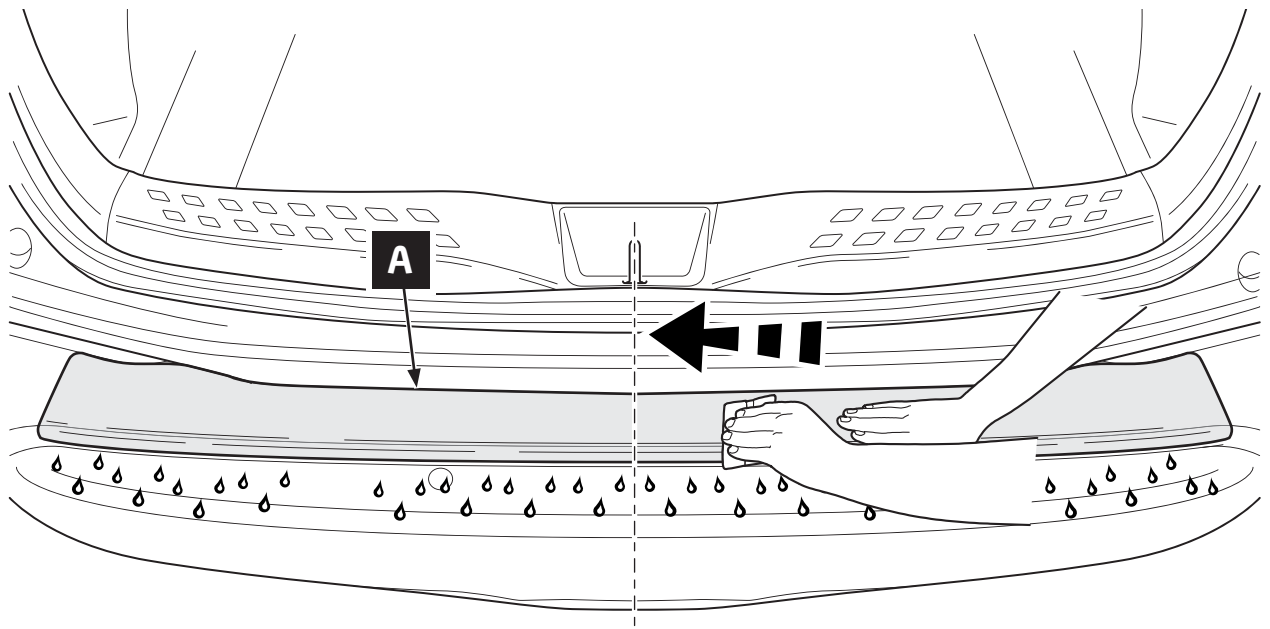
2



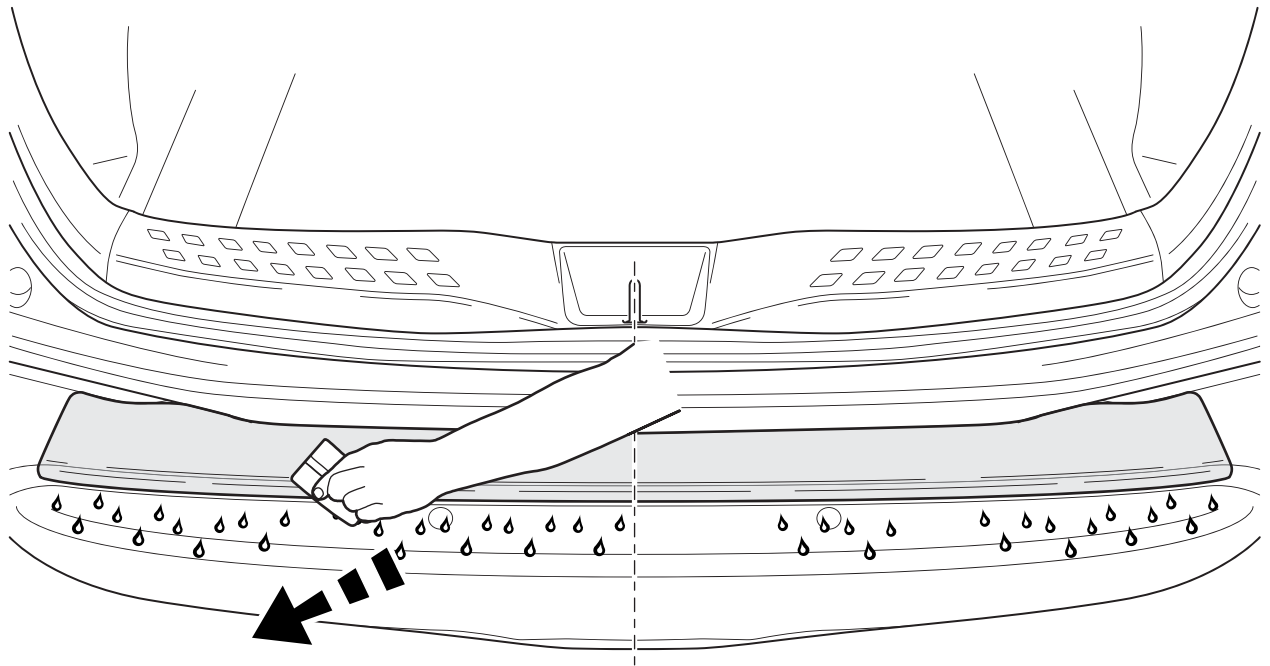
3



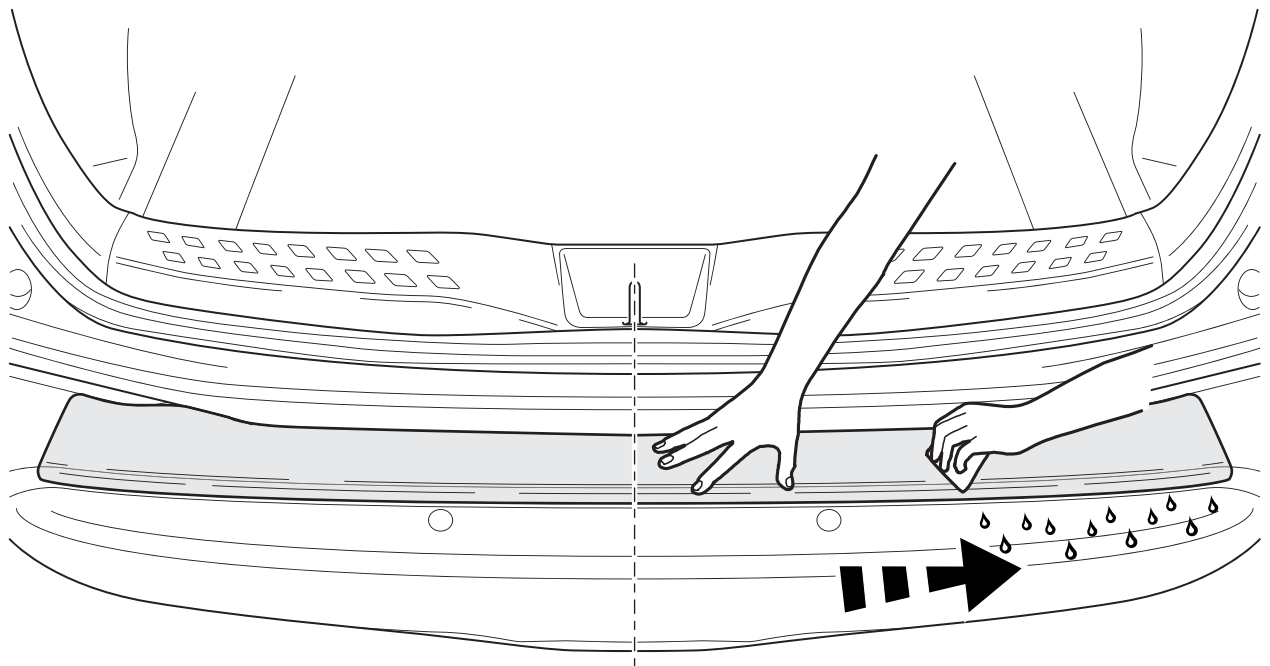
1



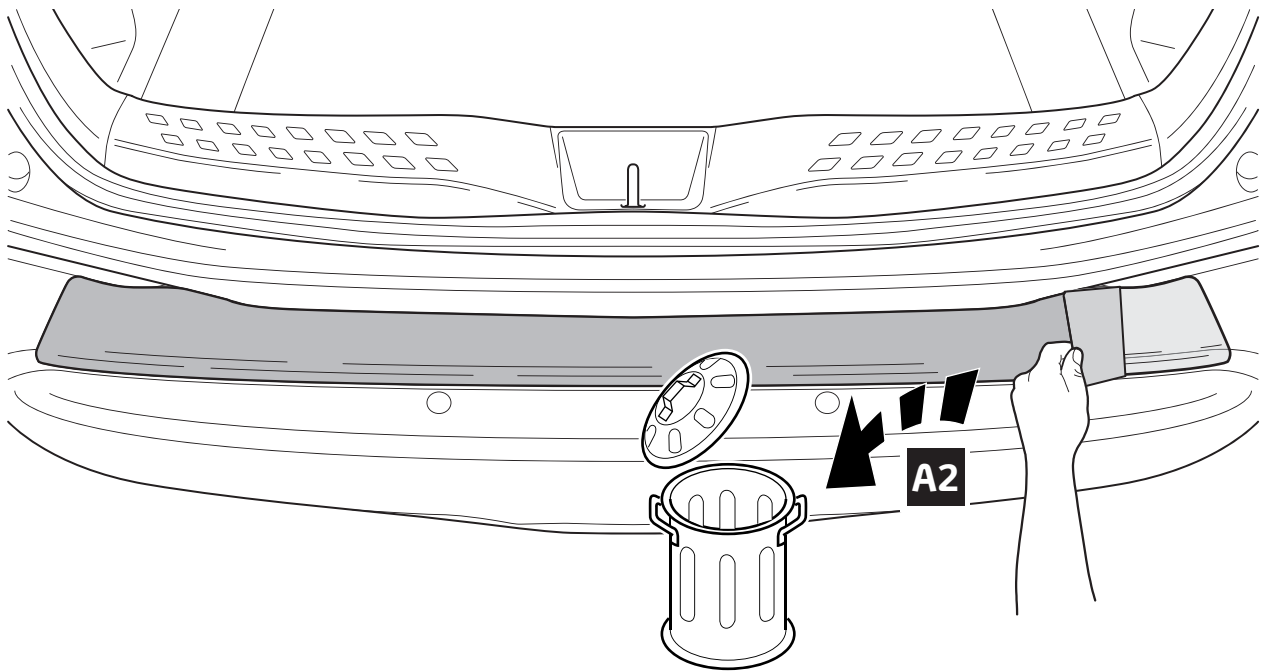
2



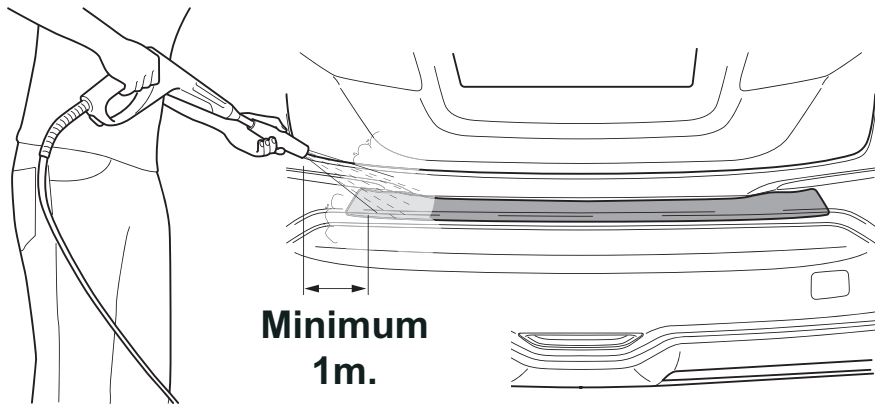
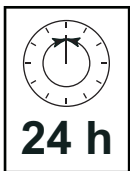
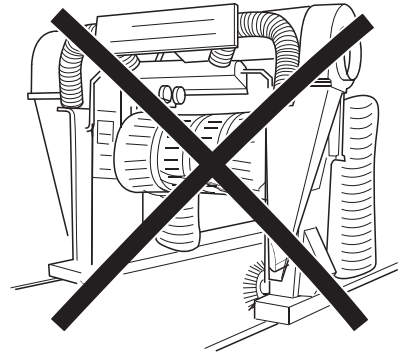
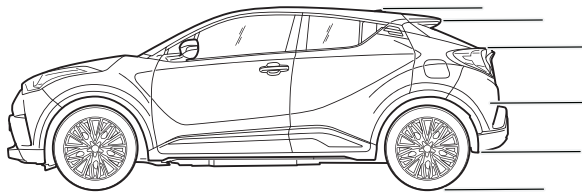
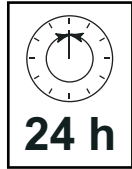
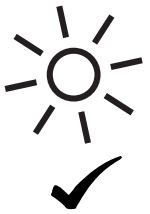
3



7



8





**TOYOTA**

# CHECK SHEET

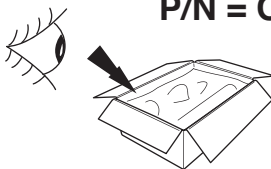
Model / Year **C-HR 2016/10**

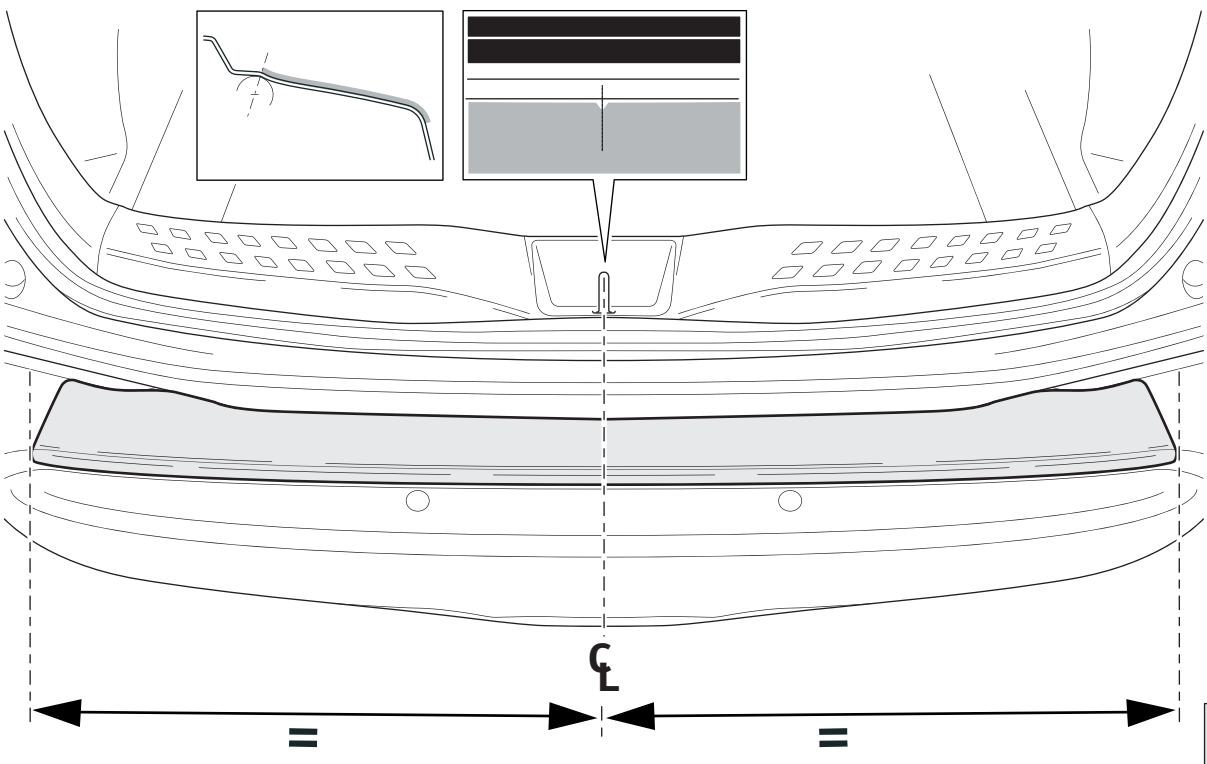
**Rear Bumper protection film**

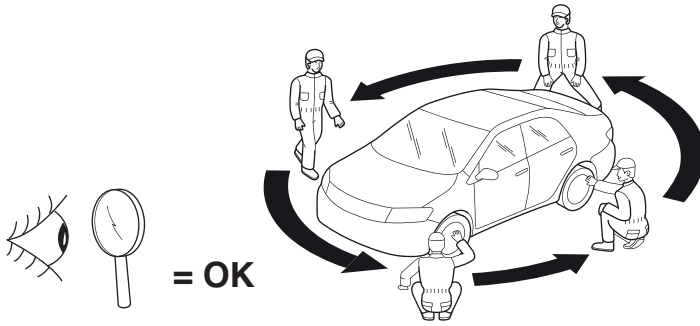
ALWAYS A BETTER WAY

VIN n°

**P/N = OK**







**= OK**

**Installation Date:**

. . / . . / . . . .

**Technician Name & Signature:**

**Stamp:**