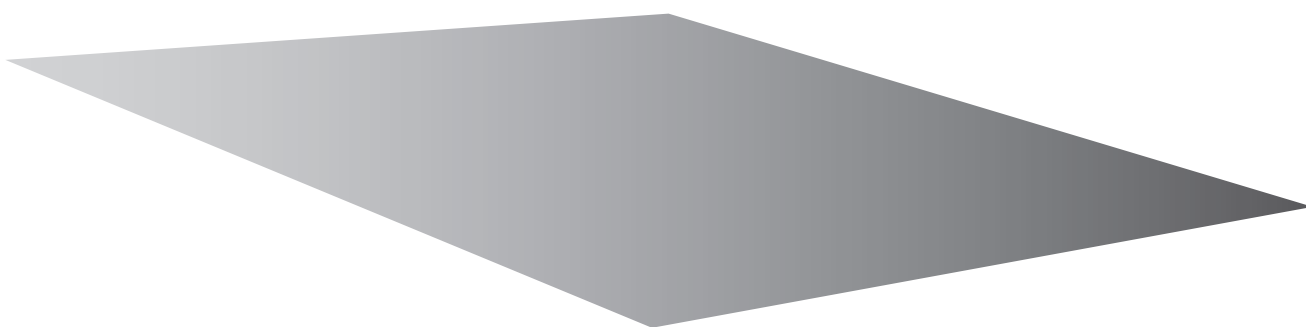




VEHICLE SECURITY SYSTEM Installation Instructions

RX 350/RX 450h (RHD)



PART NUMBER

SECURITY KIT	08586-4A930
FOR G*L15R - AW*GKW - MY '08	

PRECAUTIONS

PLEASE READ THOROUGHLY THESE PRECAUTIONS BEFORE THE INSTALLATION

- Be sure to disconnect the negative (-) lead from the battery terminals.



- Use the correct tool when tightening bolts or nuts.



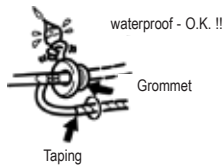
- Do not pinch the rear wiring or harness in the tightened part.



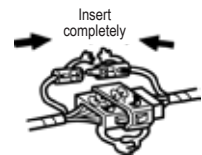
- Before drilling a hole, check that the rear of the mounting wall is clear.



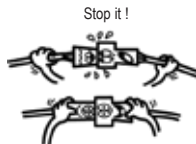
- When passing the wires through the bulkhead or other panels, use a grommet to ensure waterproofing.
- Protect the wiring with tape when it is passed through a hole.



- Be sure to firmly tighten connectors and terminals.



- When disconnecting the connectors, be sure to grip the connector body. Do not tug on the wiring.



- Before connecting the power wiring to the battery, check the wiring connections, harness, etc. to see that they are properly secured.



- Do not forcibly pull any car wiring harness. Rough tugging may result in opened connections, or a broken wire or harness.



- Check body and trim near the area of installation to be certain there are no dirt or scratches resulted from the installation.

- Confirm that lamps, horn, wiper and other car accessories operate normally.



- Protect your car with wing covers, seat and so on.



TABLE OF CONTENTS

Precautions	2
System Components	
• SECURITY KIT	4
System Layout and Wire Harness Outline	5
Connector Arrangement of SECURITY KIT (PIN VIEW)	5
Security Kit Installation Instructions	
• Vehicle Disassembly	6
• Mounting the Glass Breakage Sensor and Wire Harness Installation	12
• Mounting the Microphone	16
• Vehicle Reassembly	17

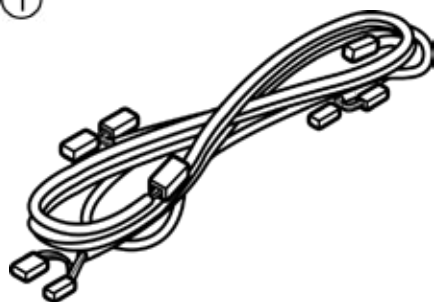
|| Highlights a change in installation with respect to previous issue.

SECURITY KIT

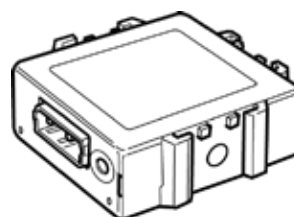


Pos. No.	Description	Qty
①	WIRE HARNESS	1
②	GLASS BREAKAGE CONTROL UNIT	1
③	GBS ECU BRACKET	1
④	BOLT (M6 x 18 mm)	1
⑤	NON-WOVEN TAPE	1
⑥	FOAM (1 DIVISION 1 SHEET)	1
⑦	WIRE TIE (150 mm)	15
⑧	MICROPHONE	1

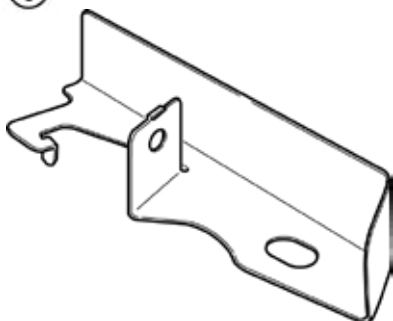
①



②



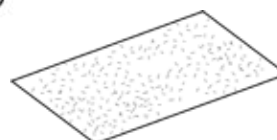
③



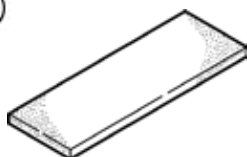
④



⑤



⑥



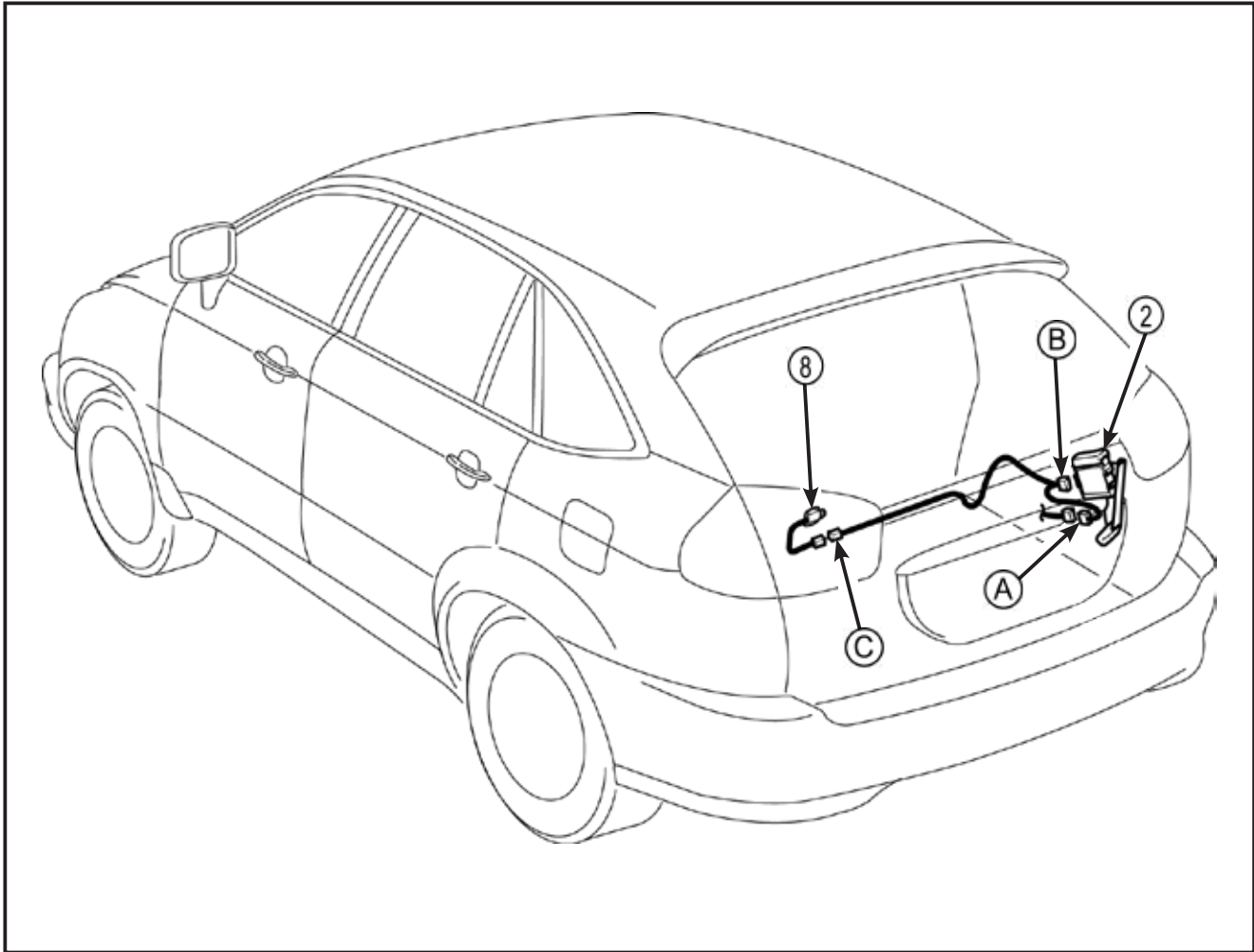
⑦



⑧

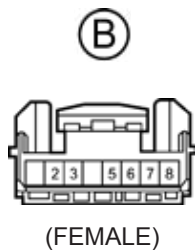


SYSTEM LAYOUT AND WIRE HARNESS OUTLINE 



(A)	Pre-wired connector (8P female white)
(B)	GBS ECU connector (8P female white)
(C)	Microphone connector (2P male white)
(2)	Glass breakage control unit
(8)	Microphone

CONNECTOR ARRANGEMENT OF THE SECURITY KIT (PIN VIEW) 



VEHICLE DISASSEMBLY 

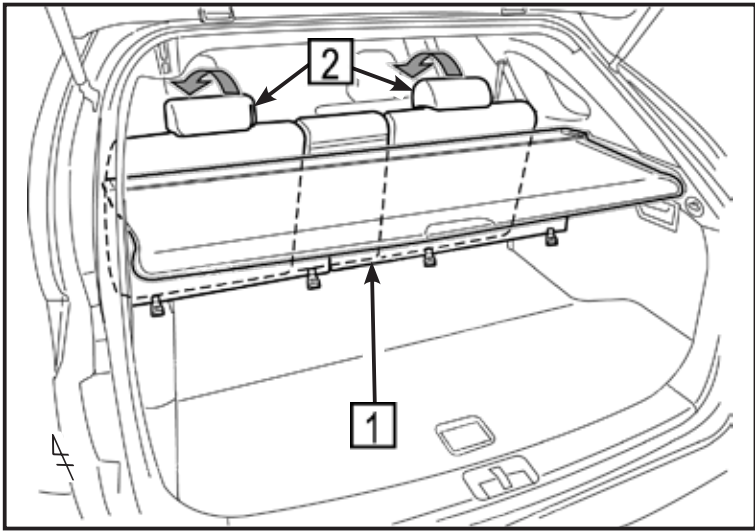


Figure 1

1.
 - a) Remove the luggage cover **1**.
 - b) Recline both of the right and the left rear seat **2**.

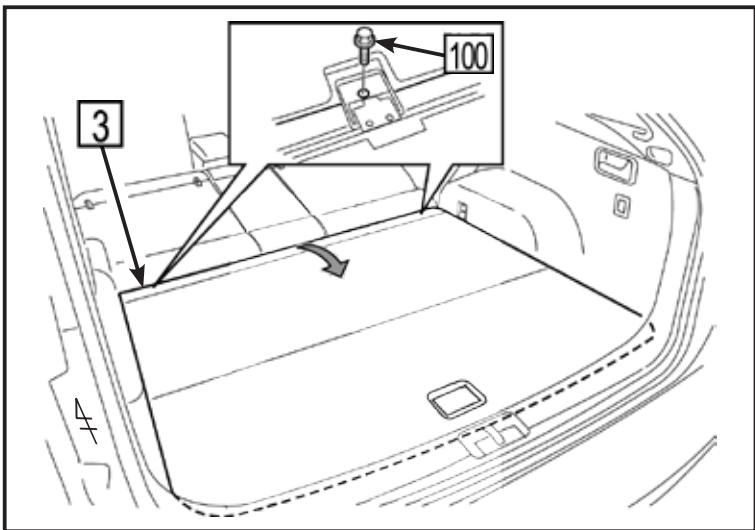


Figure 2

2.
 - a) Pull up the luggage carpet of the luggage board **3**.
 - b) Remove the luggage board **3**.
- 100**: Bolt (2x)

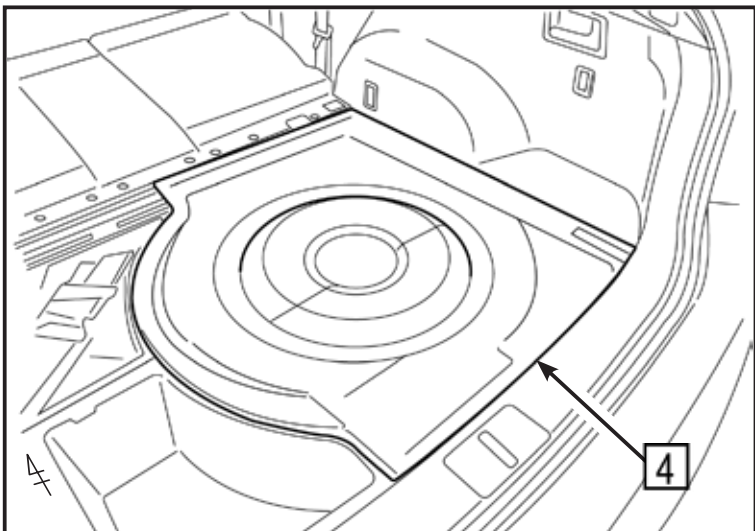


Figure 3

3.
 - Remove the spare tire cover **4**.

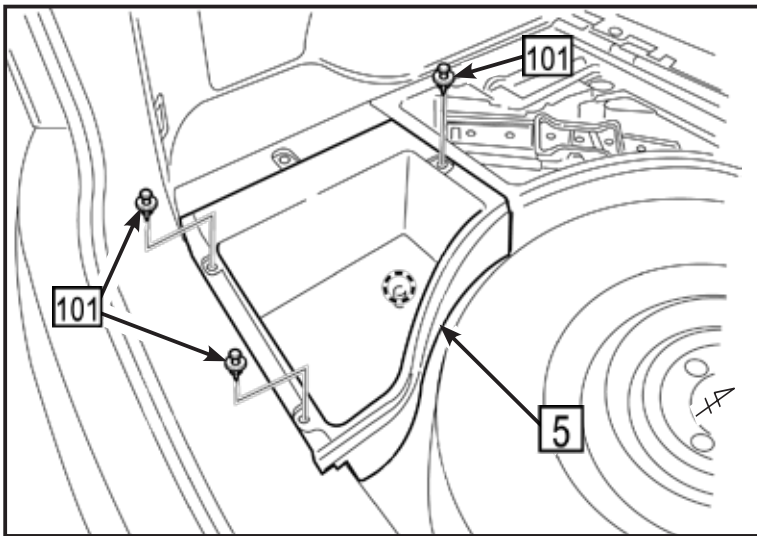


Figure 4

4.
Remove the left storage box **5**.
101: Clip (3x)
○: Clip (1x)

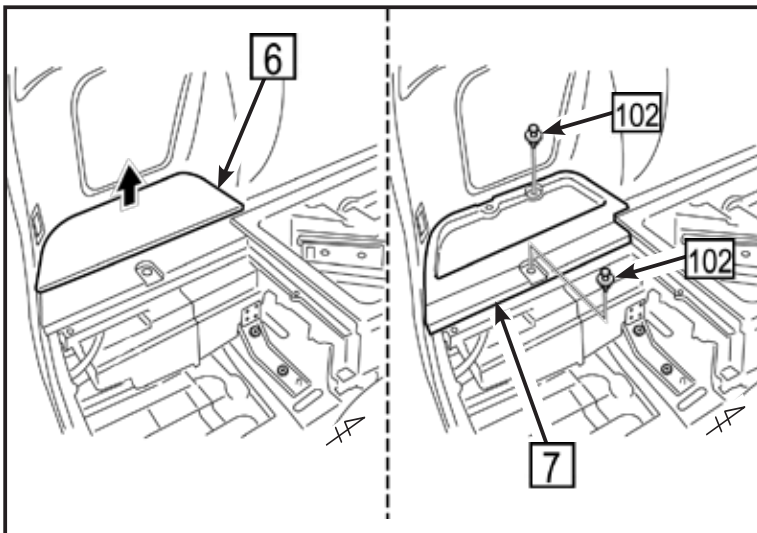


Figure 5

5.
a) Remove the left side luggage cover **6**.
b) Remove the left side luggage tray **7**.
102: Clip (2x)

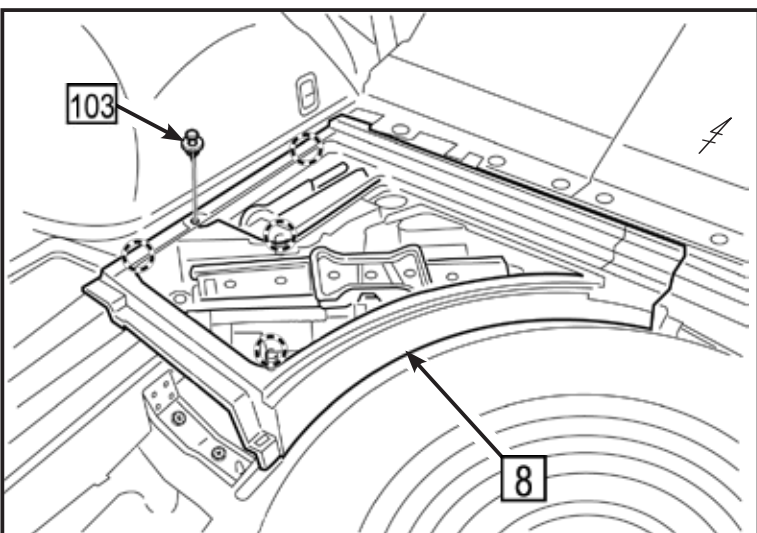


Figure 6

6.
Remove the tool box **8**.
103: Clip (1x)
○: Clip (4x)

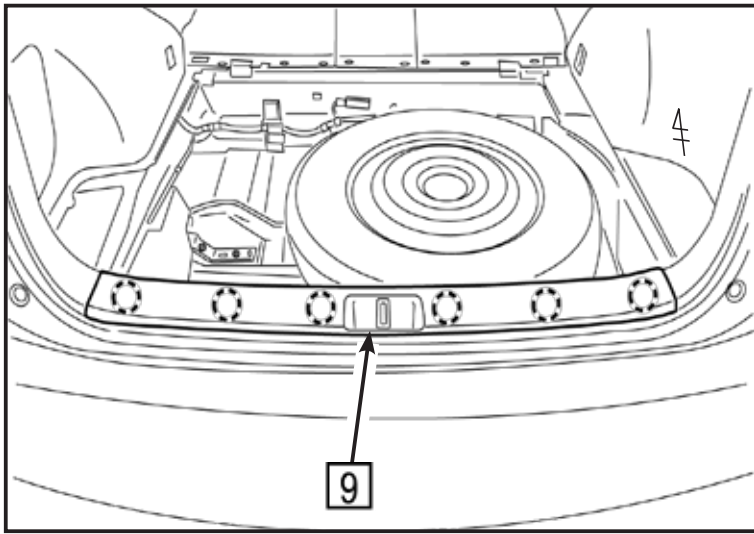


Figure 7

7.

Remove the luggage finish plate **9**.

○: Clip (6x)

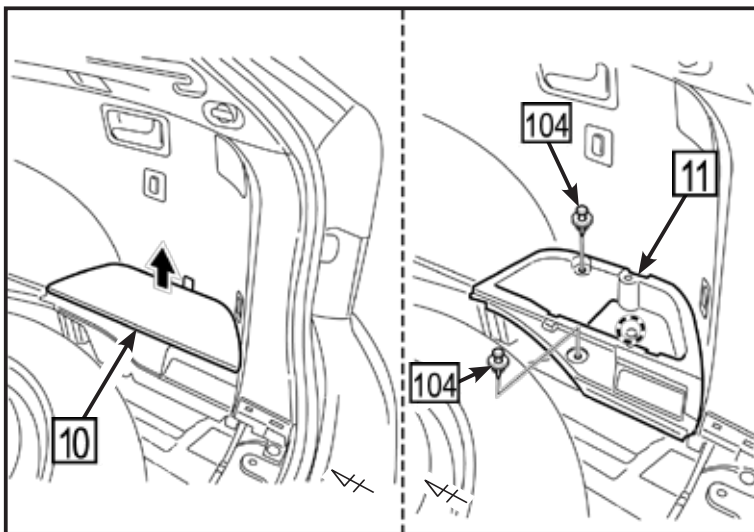


Figure 8

8.

a) Remove the right side luggage storage cover **10**.

b) Remove the right side luggage storage **11**.

104: Clip (2x)

○: Clip (1x)

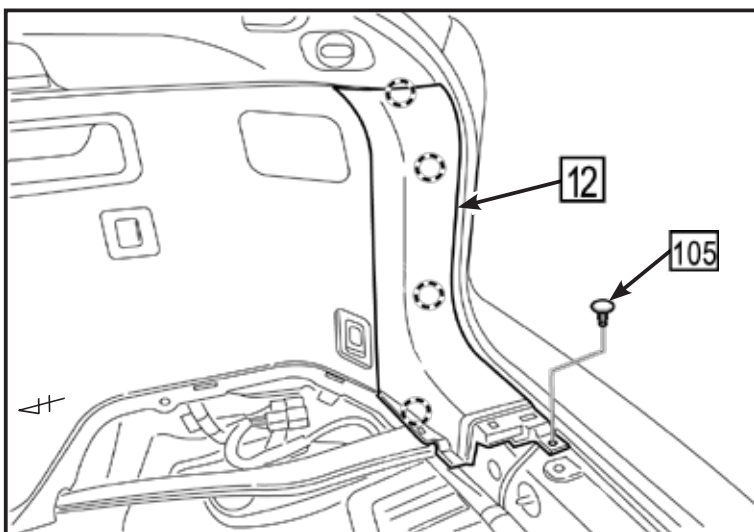


Figure 9

9.

Remove the right side luggage finish plate **12**.

105: Clip (1x)

○: Clip (4x)

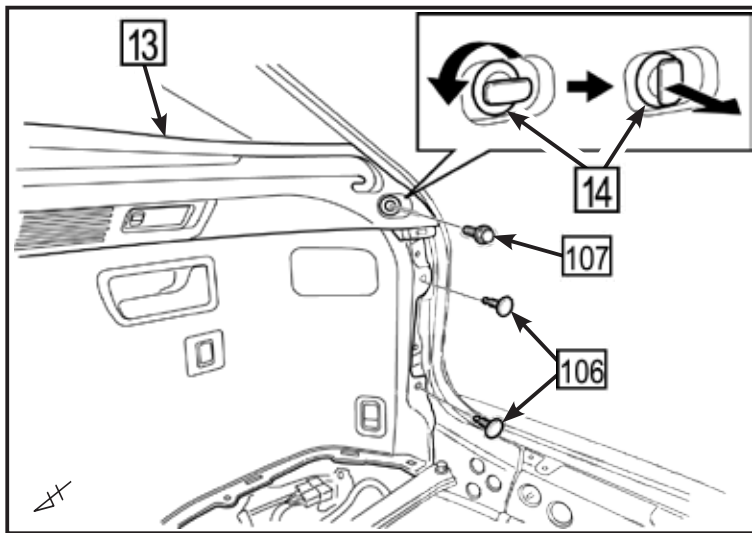


Figure 10

- 10.
- a) Remove the clip 106 (2x) from the luggage trim 13.
 - b) Turn the hook 14 and remove the hook 14 from the luggage trim 13.
- 107: Bolt (1x)

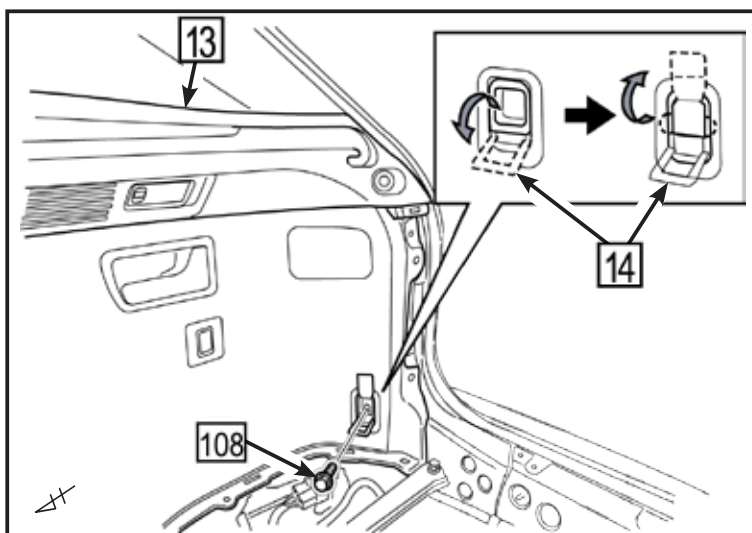


Figure 11

- 11.
- Remove the hook 14 from the luggage trim 13.
- 108: Bolt (1x)

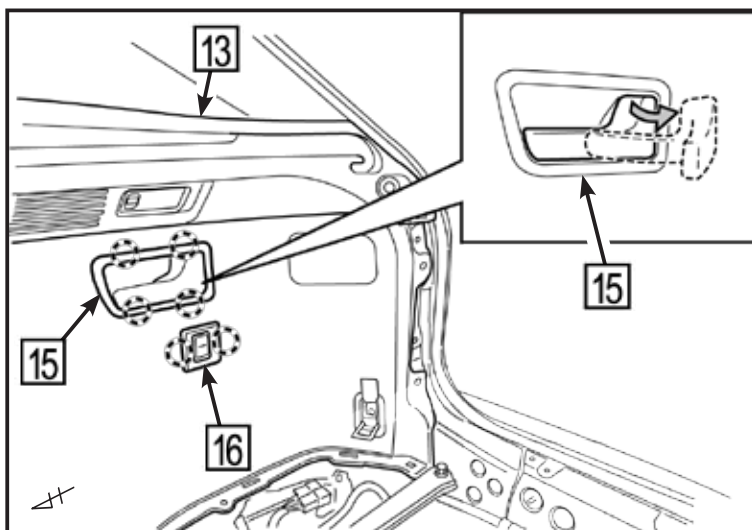


Figure 12

- 12.
- a) Pull and hold the rear seat release lever, then remove the rear seat release cover 15 from the luggage trim 13.
 - : Clip (4x)
 - b) Remove the high control switch 16 from the luggage trim 13.
 - : Clip (2x)

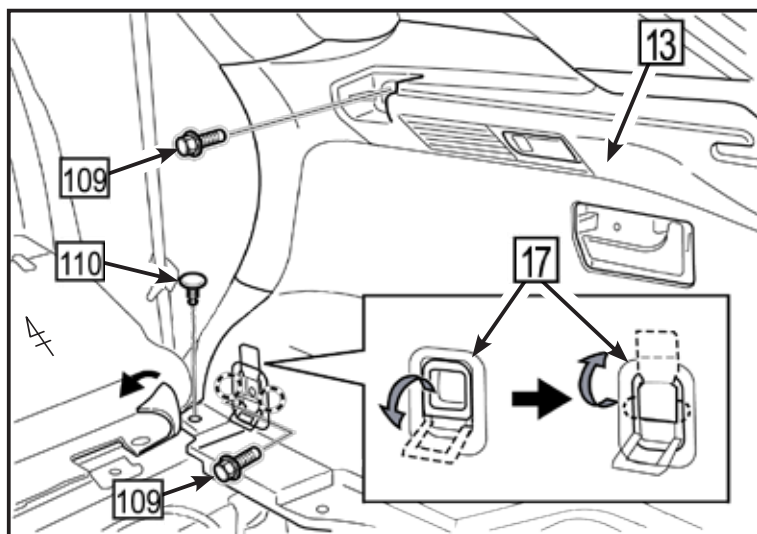


Figure 13

- 13.
- a) Remove the hook **17** from the luggage trim **13**.
109: Bolt (1x)
 - b) Remove the bolt **109** (1x) and the clip **110** (1x) from the luggage trim **13**.

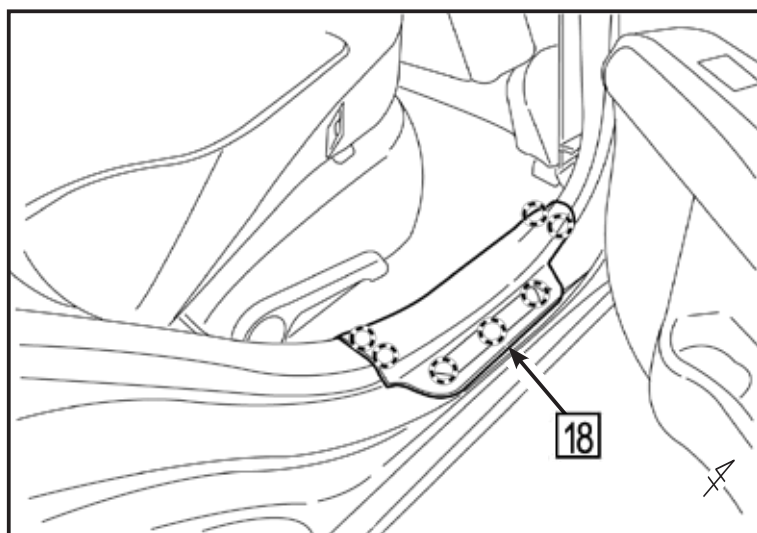


Figure 14

- 14.
- Remove the driver's side rear door scuff plate **18**.
 ○: Clip (7x)

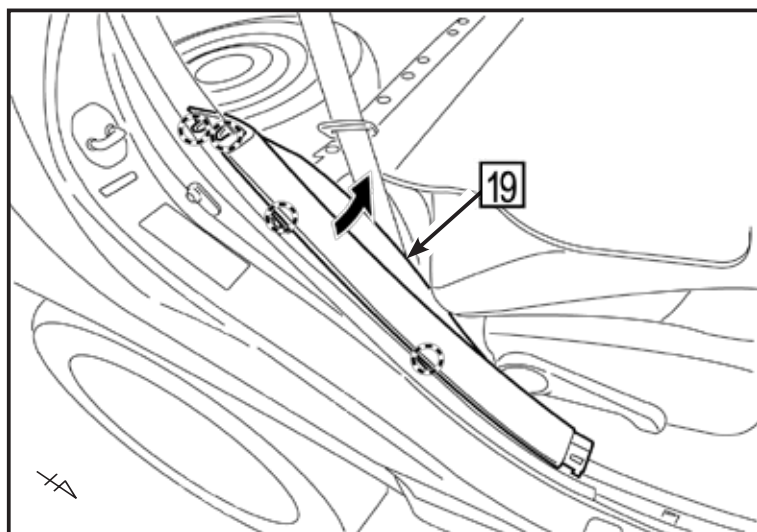


Figure 15

- 15.
- Loosen the driver's side seat side cover **19**.
 ○: Clip (4x)

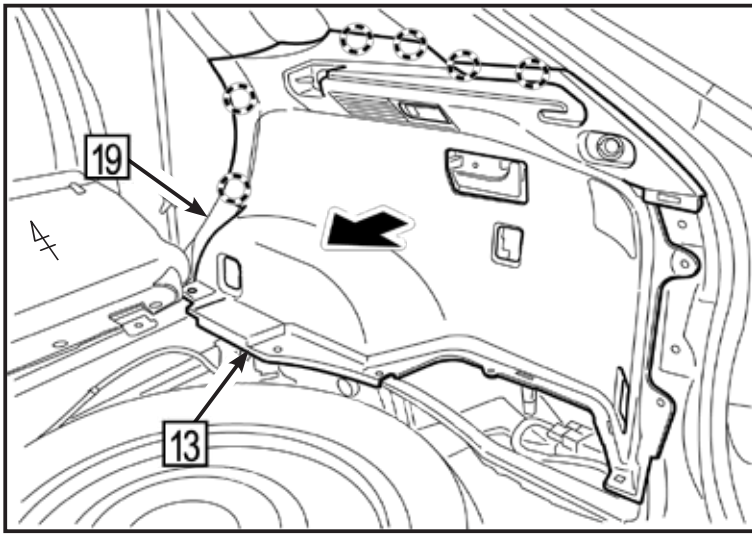



Figure 16

16.

Remove the driver's side trim side panel **13**.

○: Clip (6x)

MOUNTING THE GLASS BREAKAGE SENSOR and WIRE HARNESS INSTALLATION 

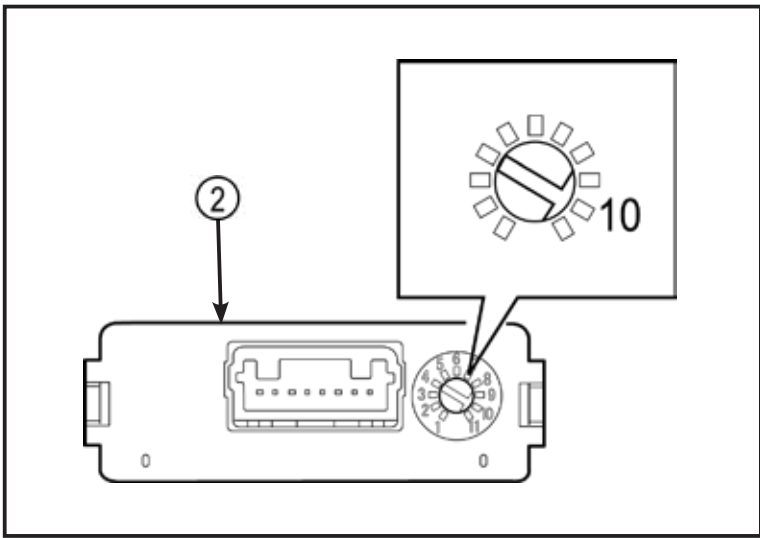


Figure 17

1. Turn the GBS adjustment screw on the GBS ECU (2) to the "10" position.

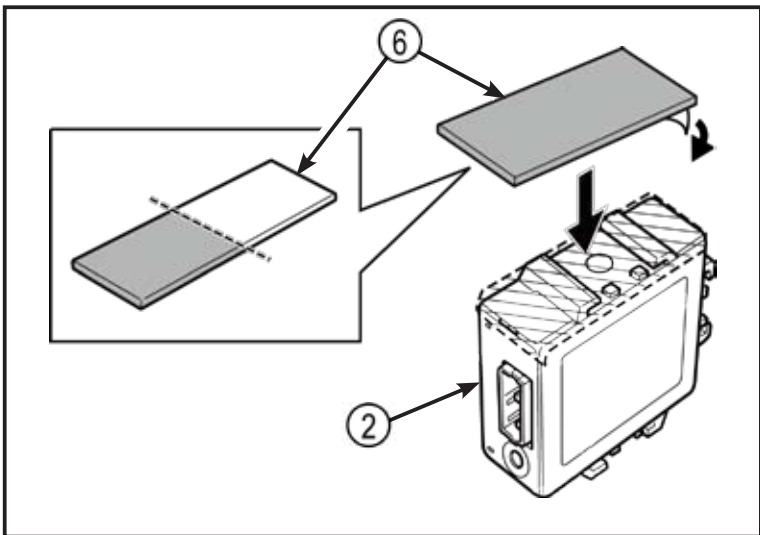


Figure 18

2.
 - a) Cut the foam (6) in half.
 - b) Use strip of a foam (6), attach it to the GBS ECU (2) as shown.

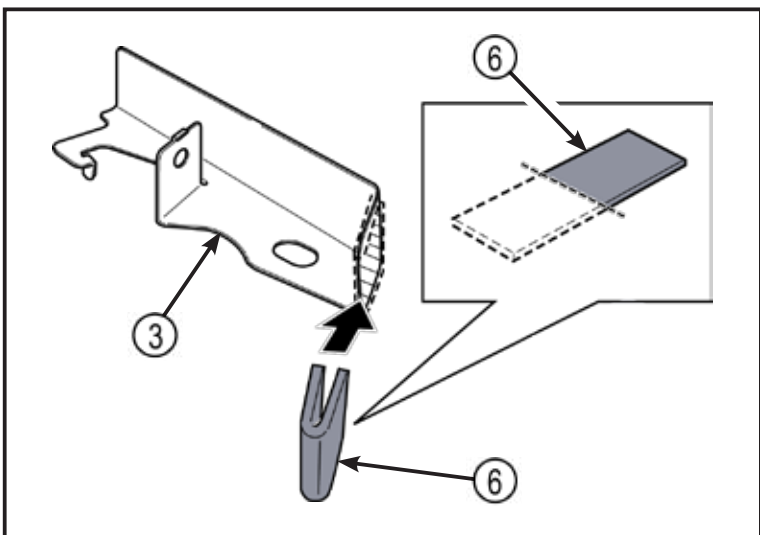


Figure 19

3. Use the remaining of a foam (6), and attach it to the GBS ECU bracket (3) as shown.

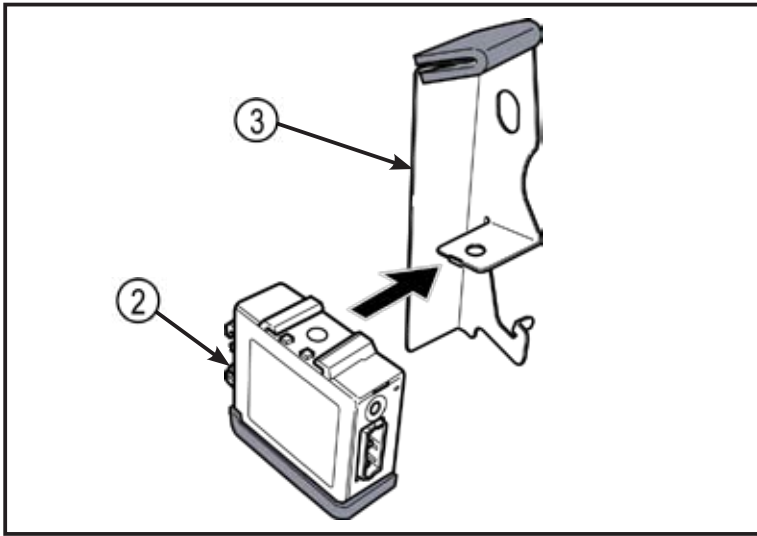


Figure 20

4. Fit the GBS ECU bracket ③ to the GBS ECU ②.

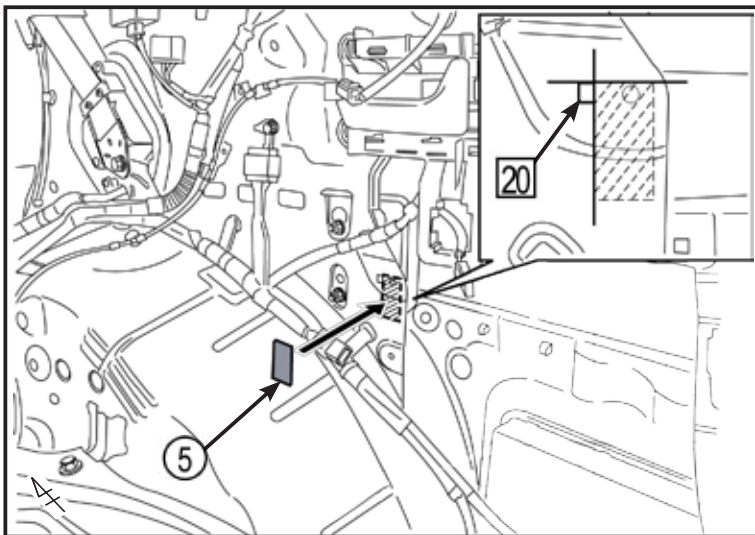


Figure 21

5. Locate a rectangular opening 20 in the driver's side luggage area, then attach the non-woven tape 5 to the vehicle's body as shown.

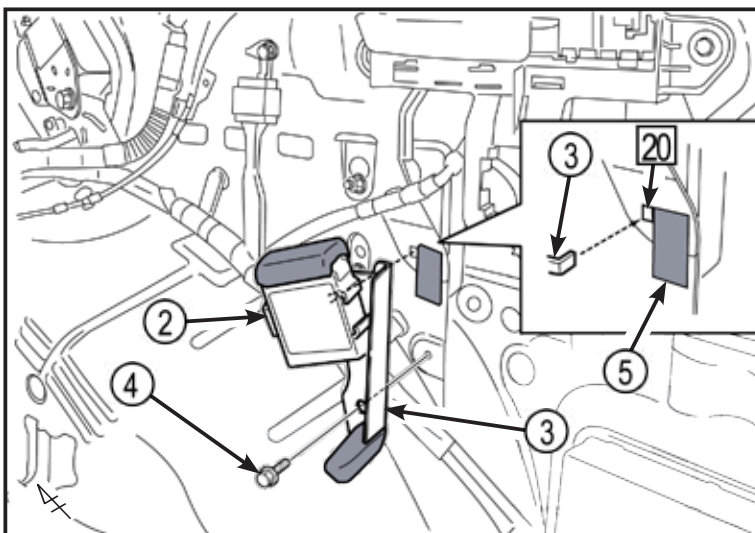


Figure 22

6. Fit the GBS ECU bracket ③ to the vehicle's body using the bolt ④.

CAUTION:

- Make sure the GBS ECU bracket ③ portion seated in the rectangular opening 20 of the vehicle's body.

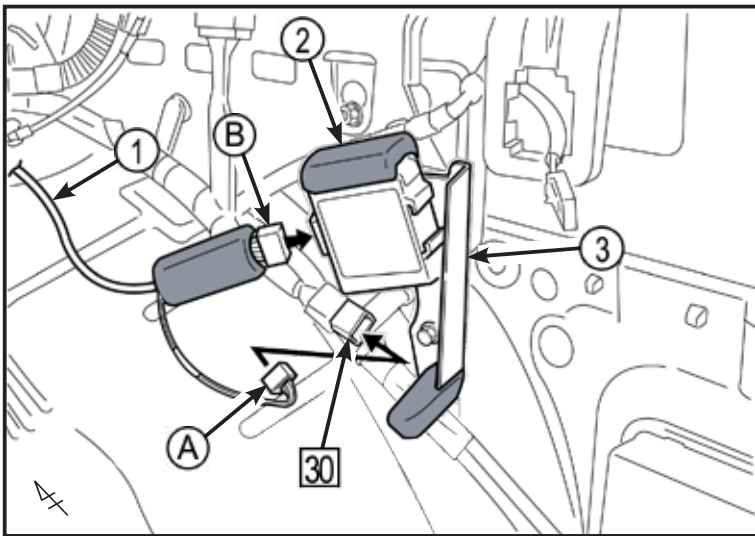


Figure 23

7.
 - a) Connect the 8P connector (A) of the security wire harness (1) to the vehicle's pre-wired connector (30).
 - b) Connect the 8P connector (B) of the security wire harness (1) to the GBS ECU (2).

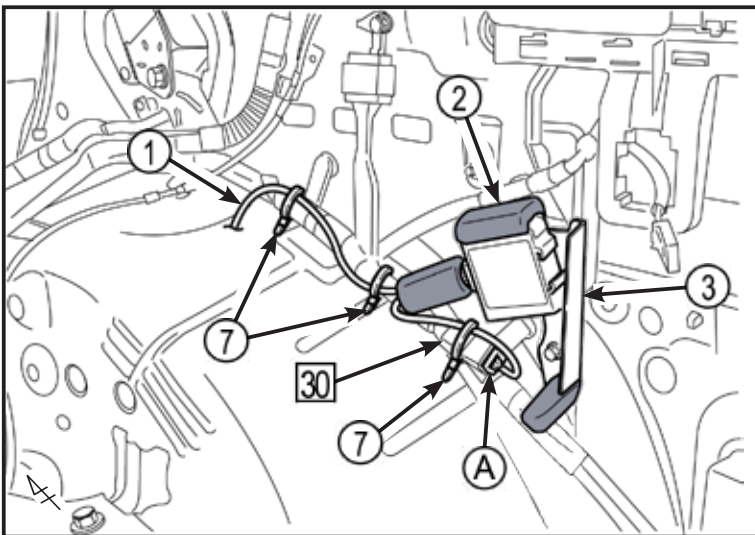


Figure 24

8.
 - a) Secure the 8P connectors (A) and (30) and the security wire harness (1) to the vehicle harness using the wire tie (7) (1x).
 - b) Route the security wire harness (1) as shown, then secure it to the vehicle harness using the wire ties (7) (2x).

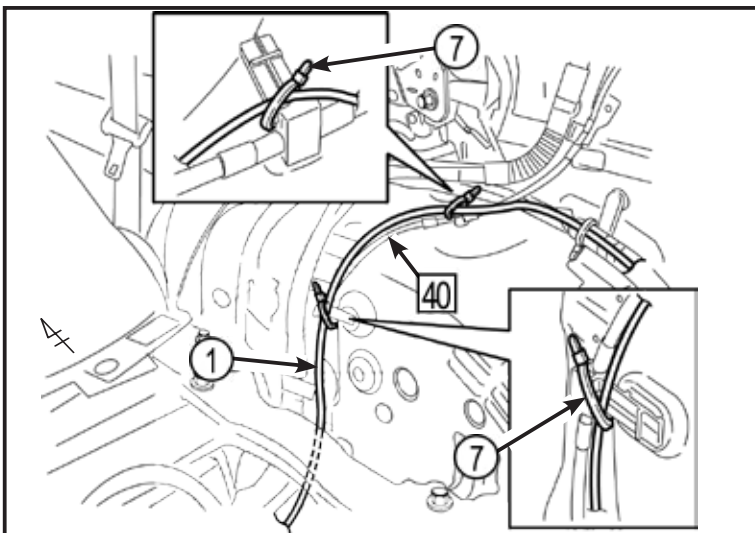


Figure 25

9.

Route the security wire harness (1) as shown, then secure it to the rear seat lock cable (40) using the wire ties (7) (2x).

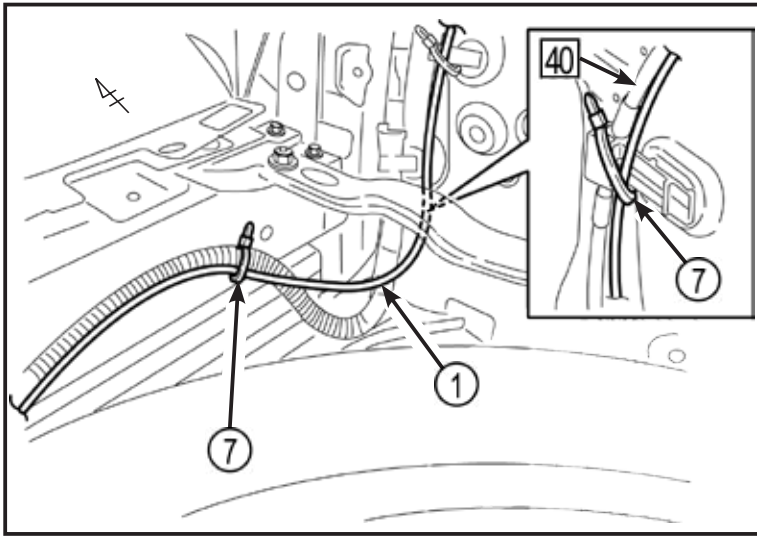


Figure 26

10.

Route the security wire harness ① as shown, then secure it to the rear seat lock cable ④⑩ using the wire tie ⑦ (1x).

11.

Route the security wire harness ① as shown, then secure it to the vehicle harness using the wire tie ⑦ (1x).

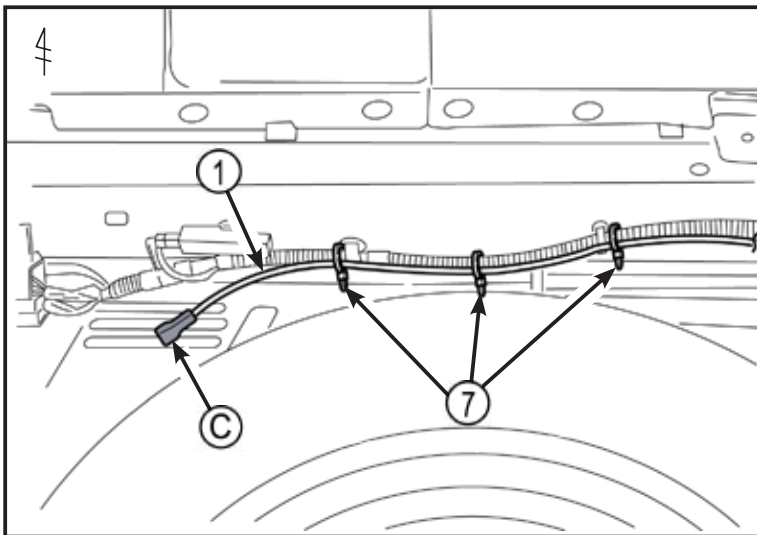


Figure 27

12.

Route the security wire harness ① as shown, then secure it to the vehicle harness using the wire ties ⑦ (3x).



MOUNTING THE MICROPHONE

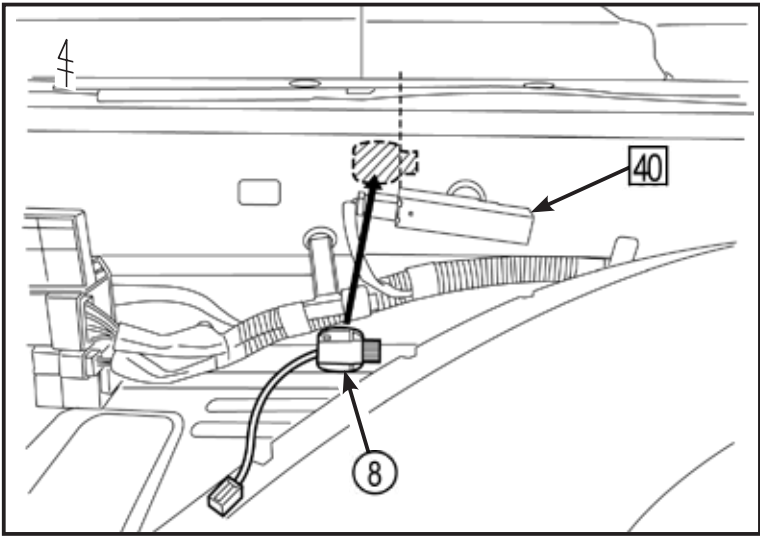


Figure 28

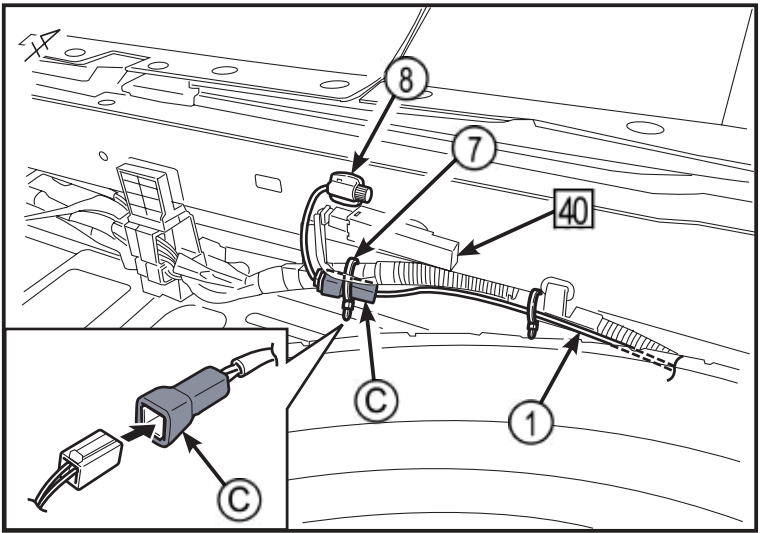


Figure 29

1. Attach the microphone ① to the vehicle's body as shown.

CAUTION:

- According to the installation manual apply the Microphone to the vehicle's body. If you do not comply with the installation manual, the GBS system might be malfunction (excessive response or unresponsive).
- Using the cleaning method, clean the area indicated on the vehicle's body.
- Do not touch the adhesive surface on the microphone ⑧.
- Do not contact the microphone ⑧ and the electrical key oscillator ④①.
- Ensure the microphone ⑧ is firmly attached to the vehicle's body.

2.
 - a) Connect the microphone's ⑧ 2P connector to the 2P connector of the security wire harness ①.
 - b) Secure the microphone's 2P connectors to the vehicle harness using the wire tie ⑦ (1x).

VEHICLE REASSEMBLY 

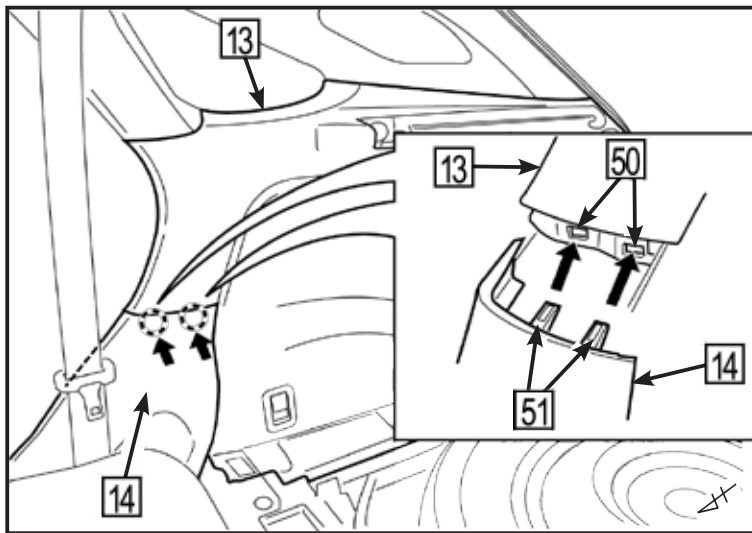


Figure 30

1.
 - a) Refit the driver's side trim side panel 13 to the driver's side seat side cover 19.
 - b) Attach the microphone 1 to the vehicle's body as shown.

CAUTION:

- Make sure the clips 51 (2x) of driver's side trim side panel 13 engage with the rectangular opening 50 (2x) of the driver's side seat side cover 19.
- Reconnect any disconnected connectors.
- Verify the panels fit together properly, with no uneven gaps.

NOTE



A series of horizontal dotted lines spanning the width of the page, providing a template for handwritten notes.

