



**TOYOTA**

ALWAYS A  
**BETTER WAY**

# Land Cruiser

## Side mouldings

Installation Instructions

Model year: 2009/09, 2013/08, 2017/08

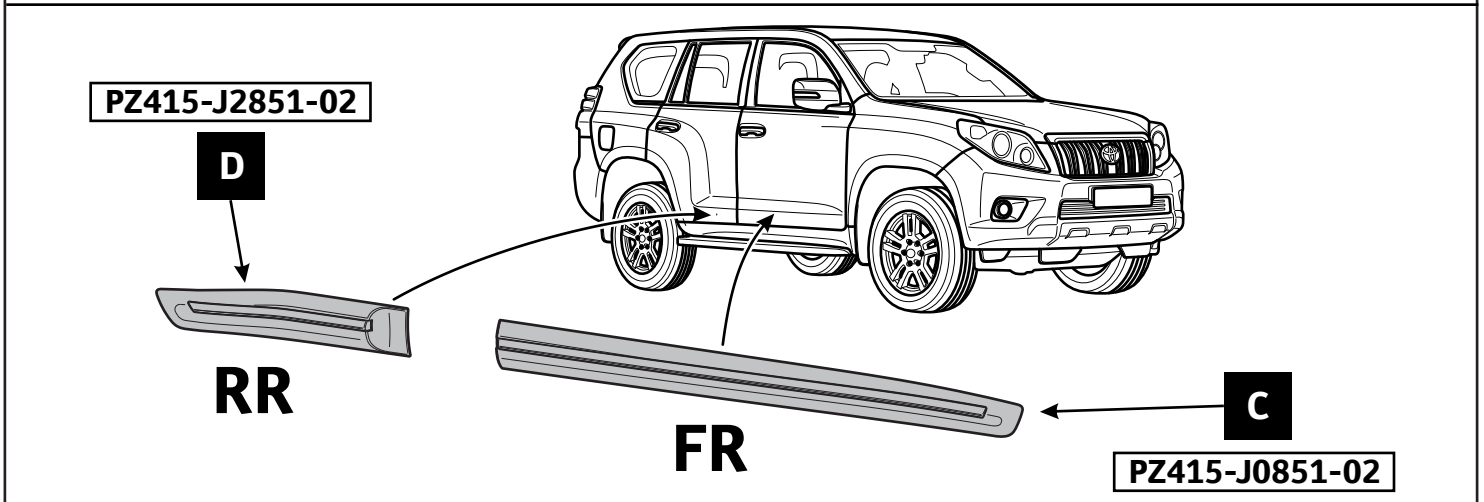
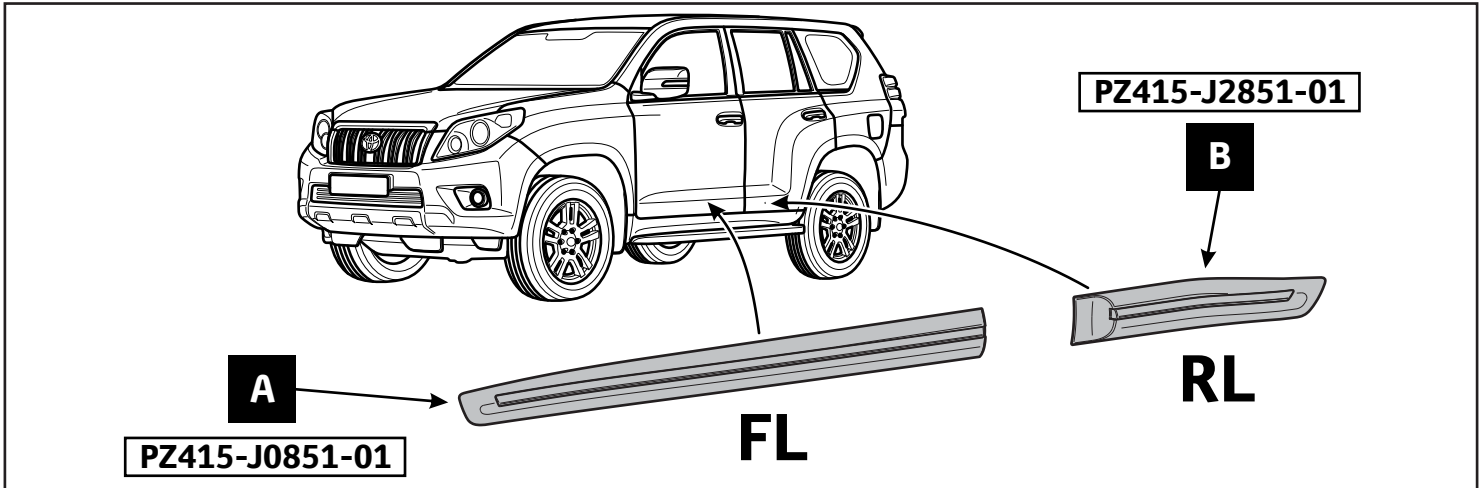
Vehicle code: \*\*J15\*L-G\*\*\*\*W

Part number: PZ415-J2851-00

Manual reference number: AIM 001 800-4

# Revision record

Rev. No.	Date	Page	Picture	Update	New	Deleted steps
3	Aug 09, 2017	All				
4	Oct 17, 2018	2	Tools	X		
		6, 10	8, 18		X	



<p>? °C</p>	<p>+ °C</p>		<p>PZ415-00000-00 3M Adhesion Promoter</p> <p>x2</p>	
<p>DEGREASER CLEANER</p> <p>AIM 003 516-*</p>				

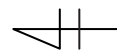
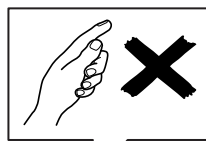
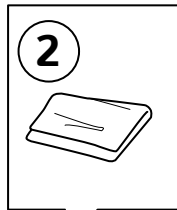
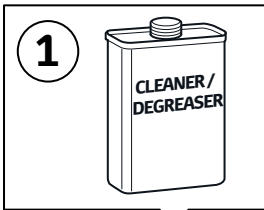
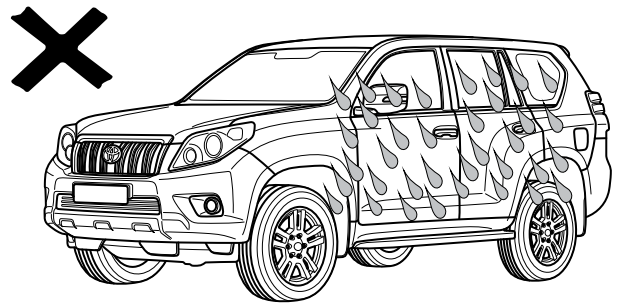
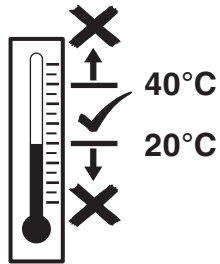
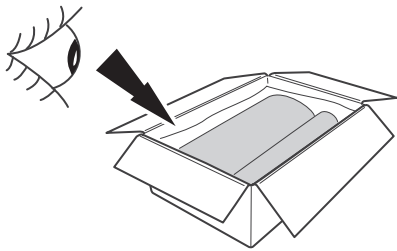
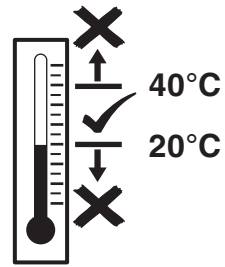
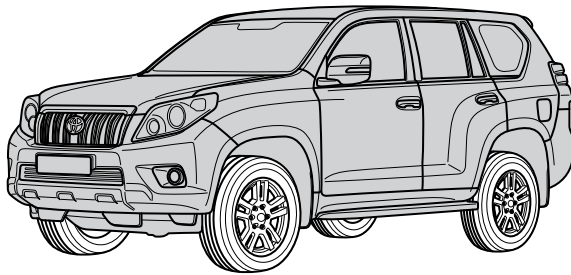
**INFO**

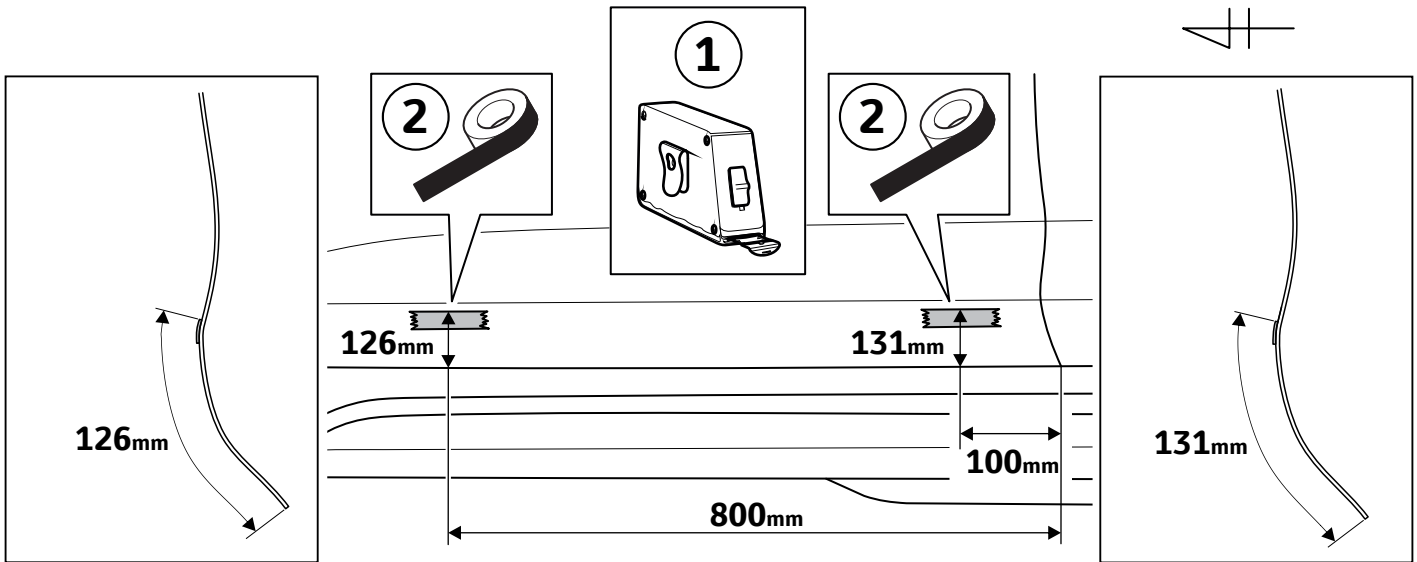
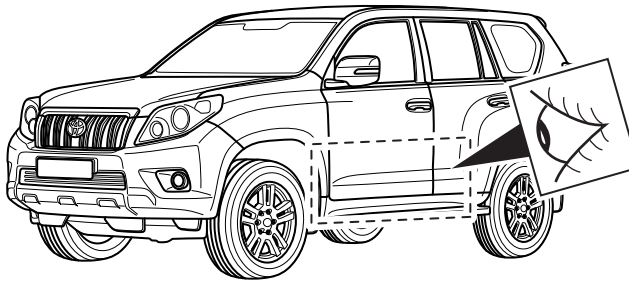


**M**aterial **S**afety **D**ata **S**heet

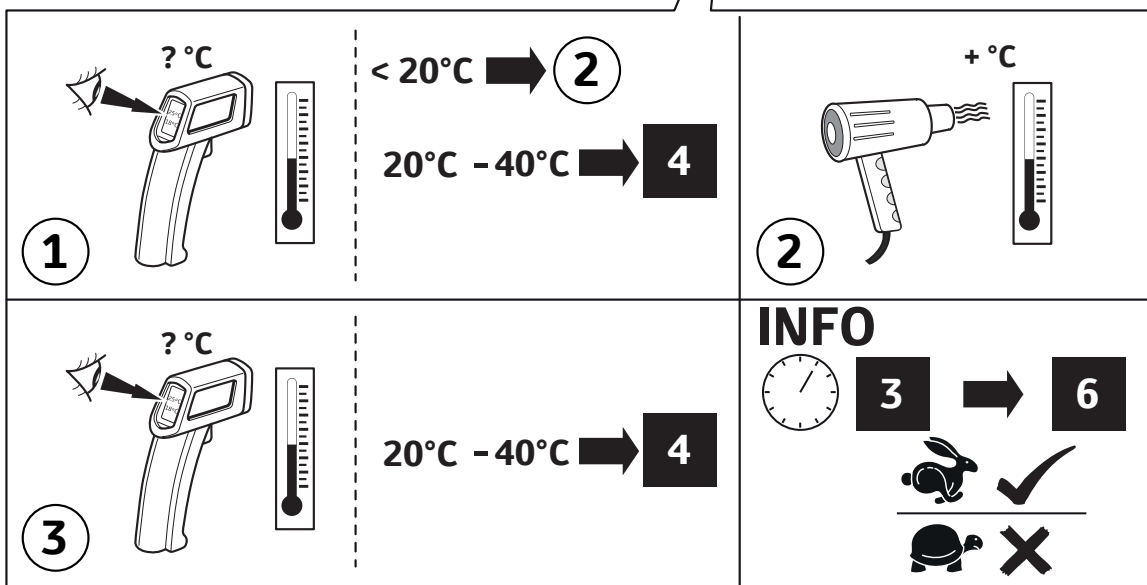
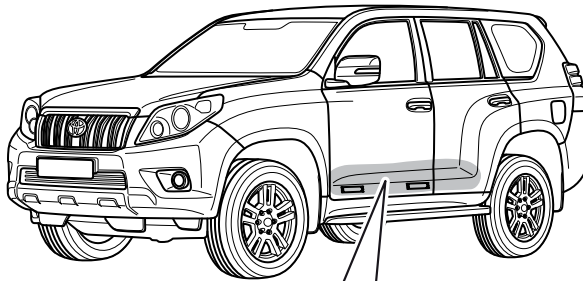


**T**echnical **D**ata **S**heet

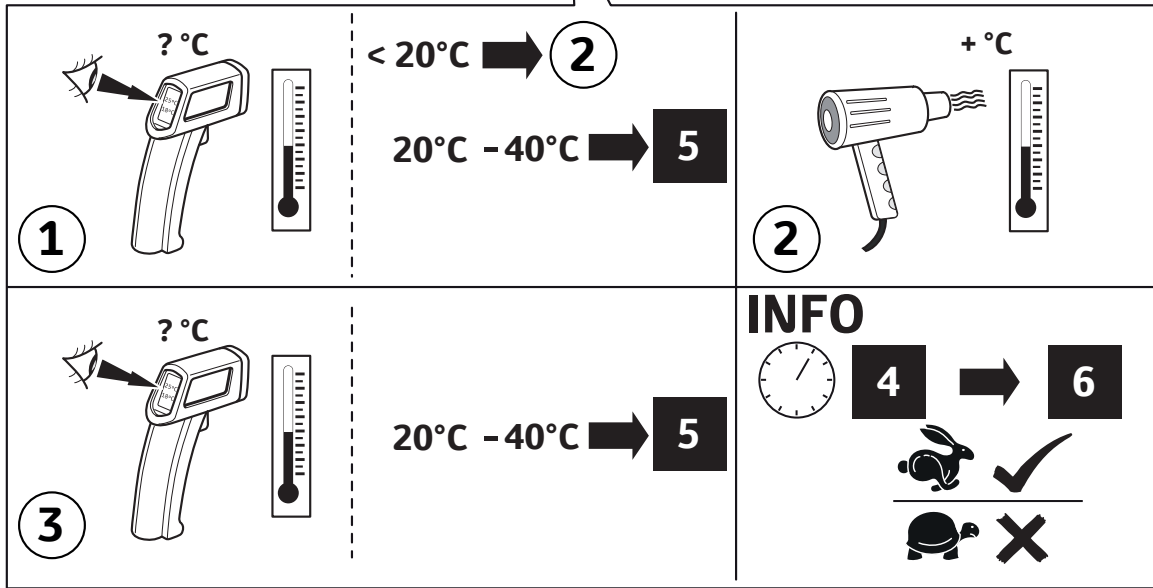
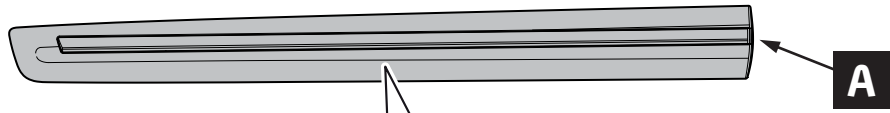




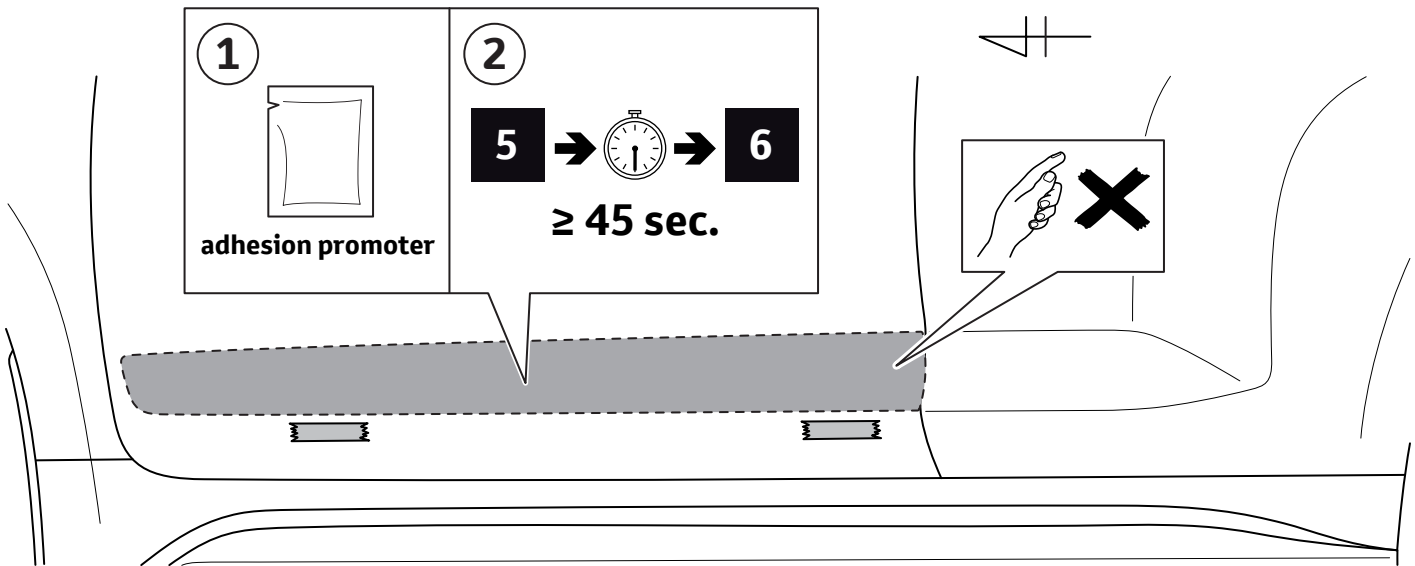
2



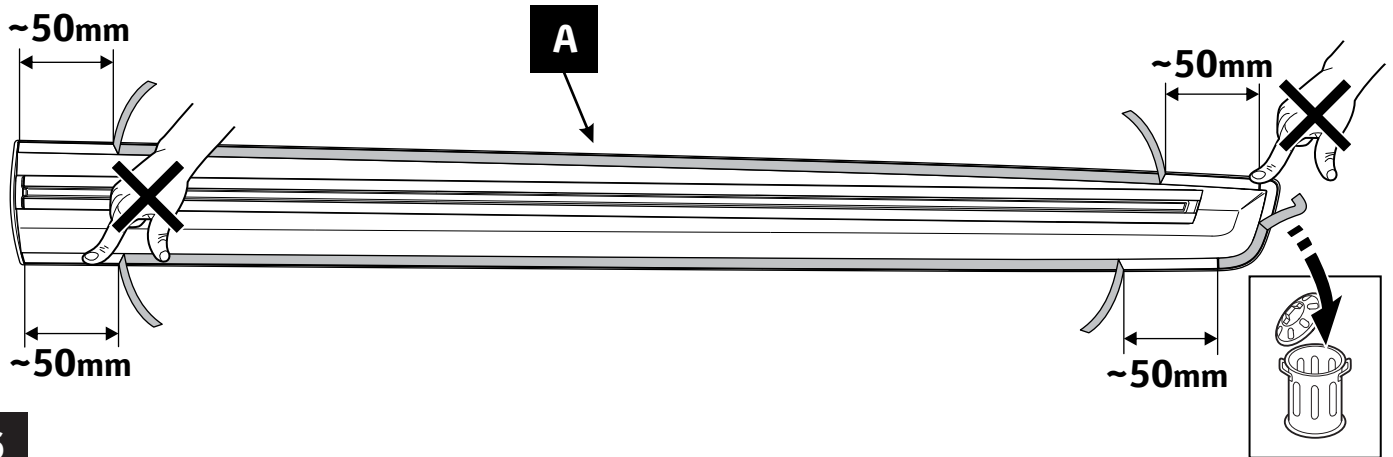
3



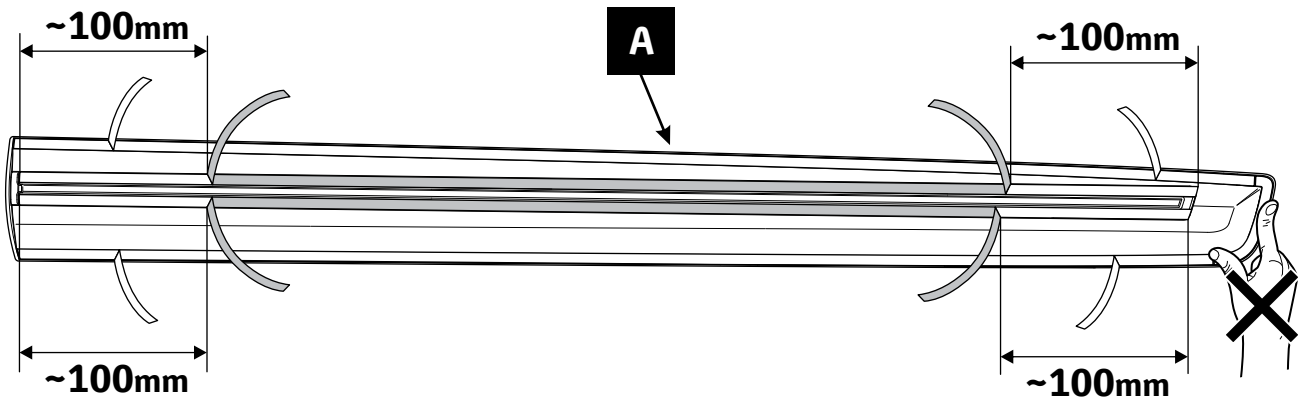
4



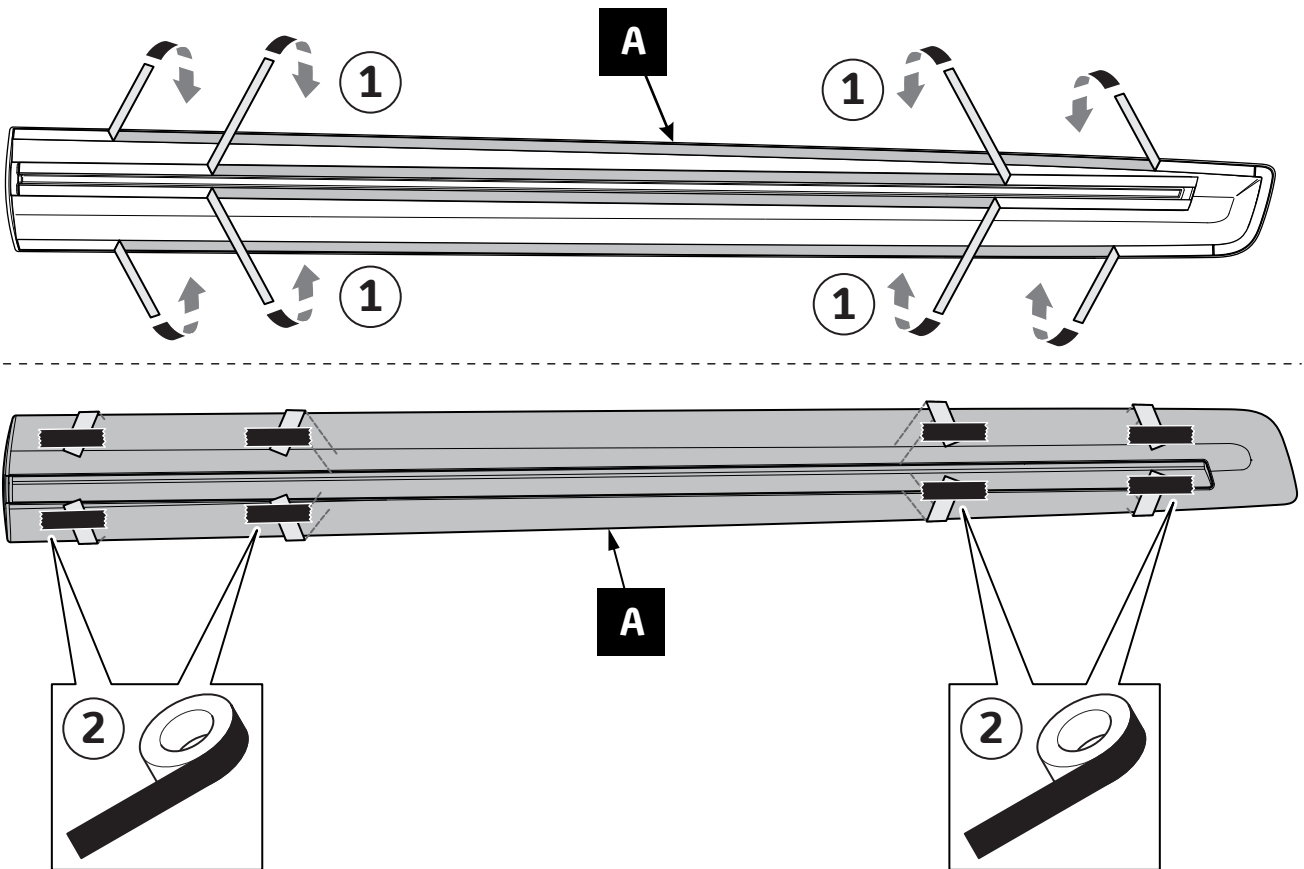
5



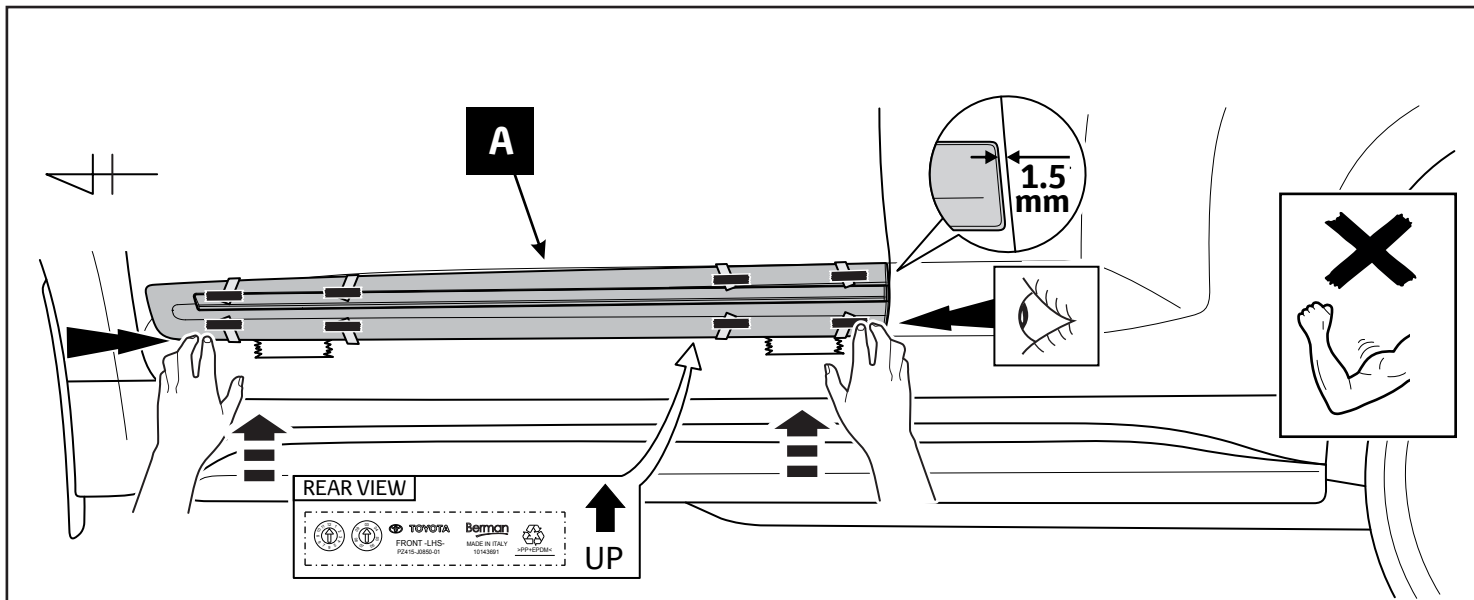
6



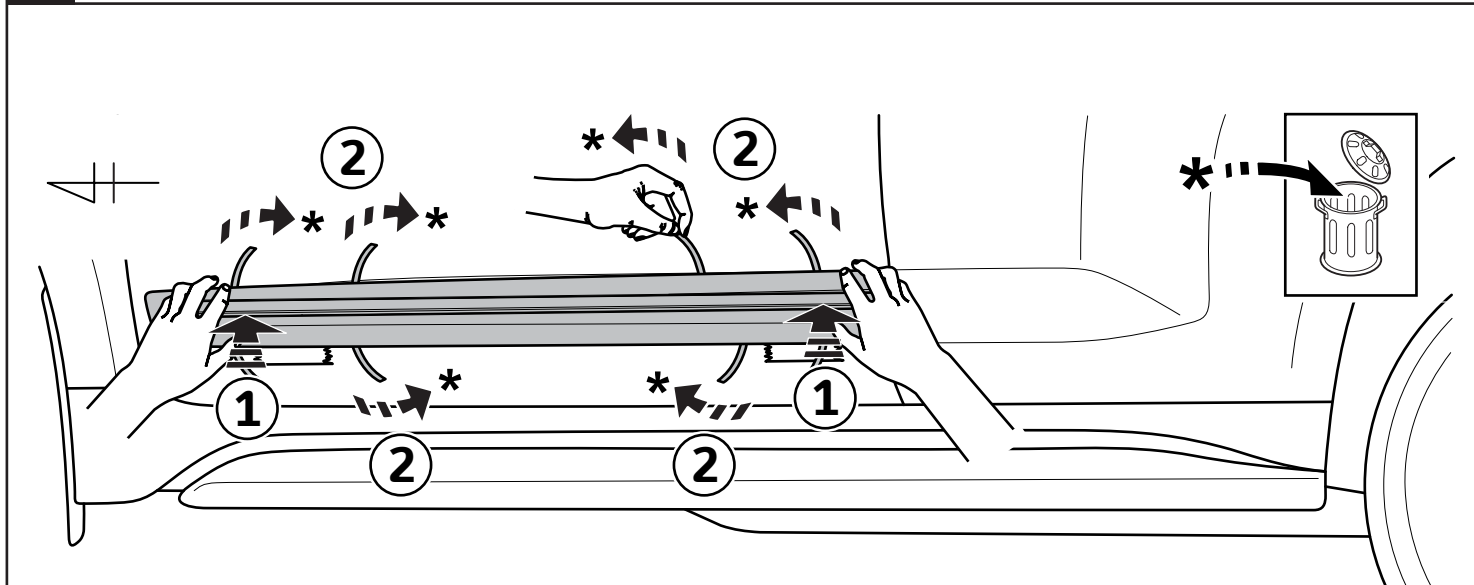
7



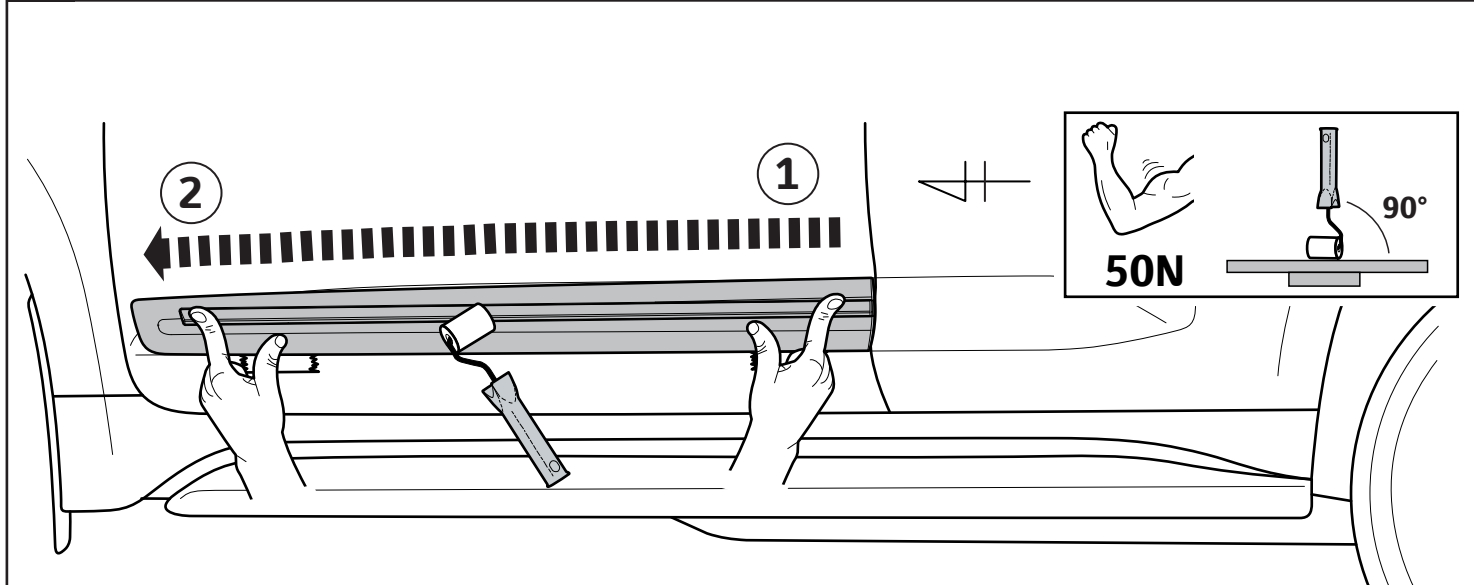
8



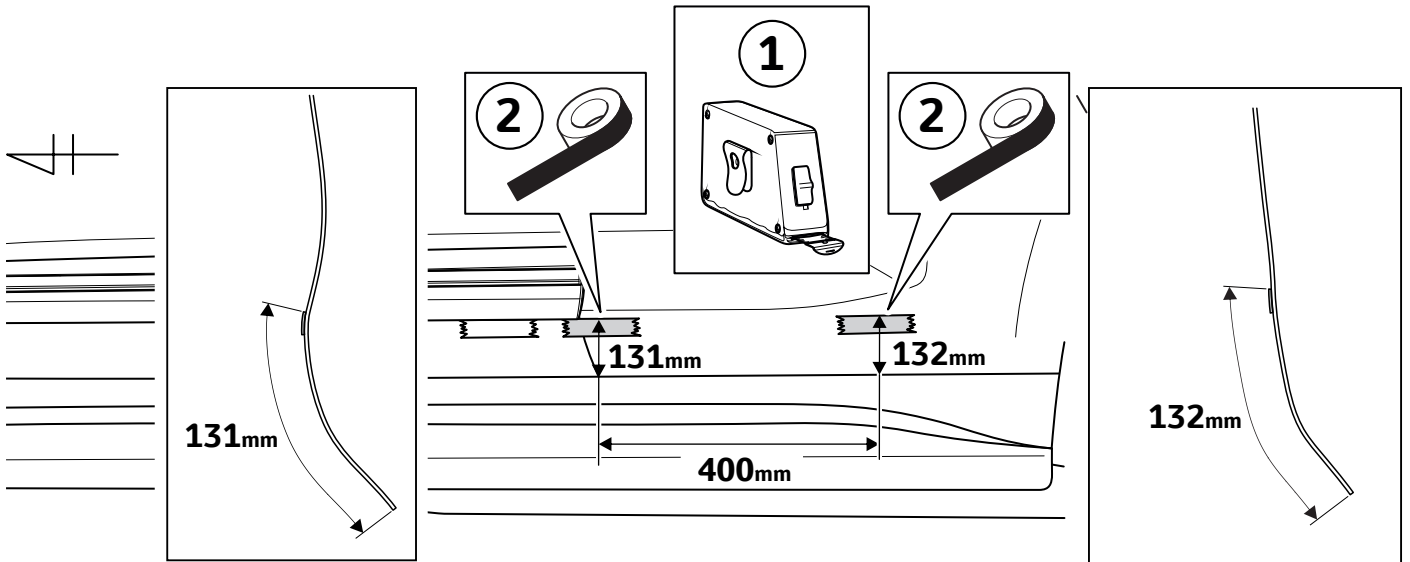
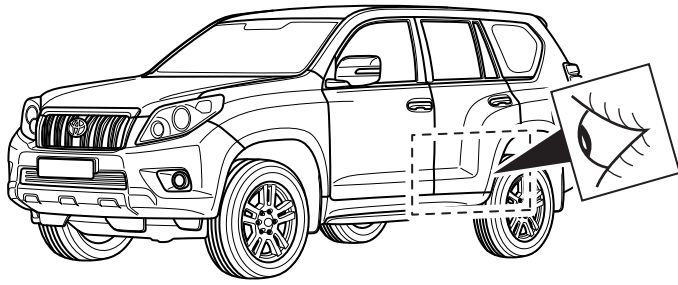
9



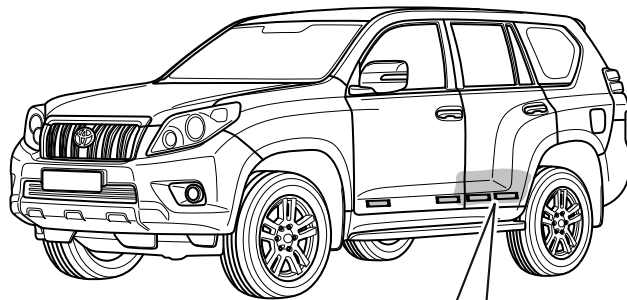
10



11



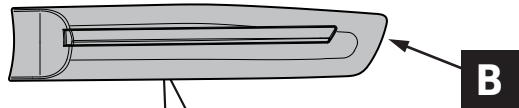
12



<p>1</p>	<p>&lt; 20°C → 2</p> <p>&gt; 20°C - 40°C → 14</p>	<p>2</p>
<p>3</p>	<p>&gt; 20°C - 40°C → 14</p>	<p><b>INFO</b></p> <p>13 → 16</p>

13



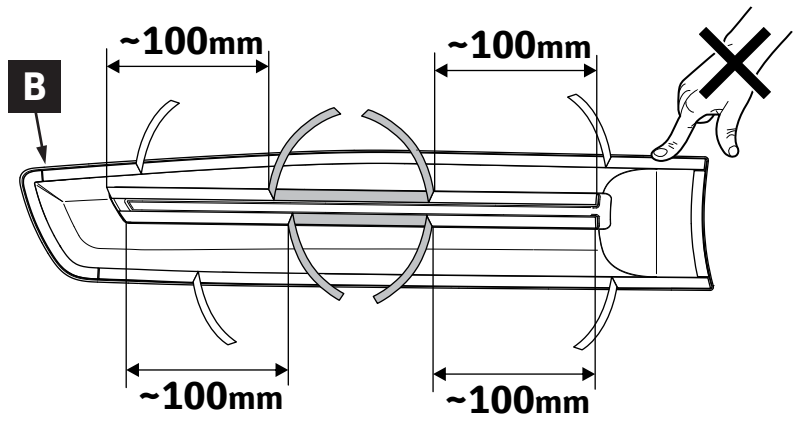


<p>1</p> <p>? °C</p>	<p>&lt; 20°C → 2</p> <p>&gt; 20°C - 40°C → 15</p>	<p>2</p> <p>+ °C</p>
<p>3</p> <p>? °C</p>	<p>&gt; 20°C - 40°C → 15</p>	<p><b>INFO</b></p> <p>14 → 16</p> <p> ✓</p> <p> ✗</p>

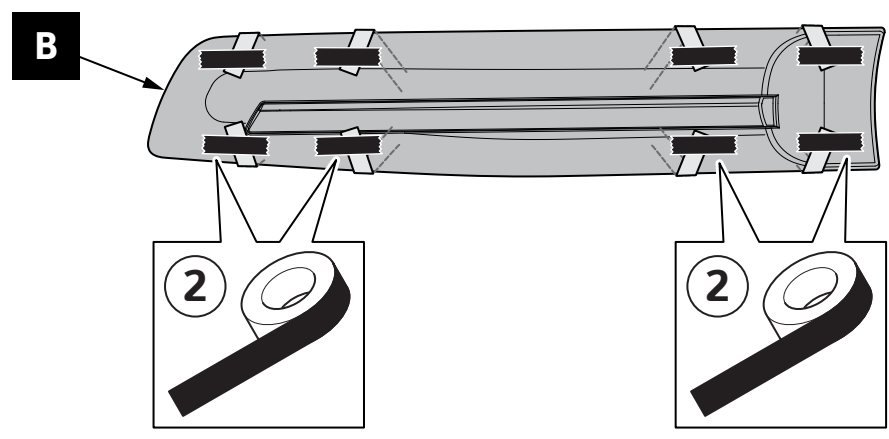
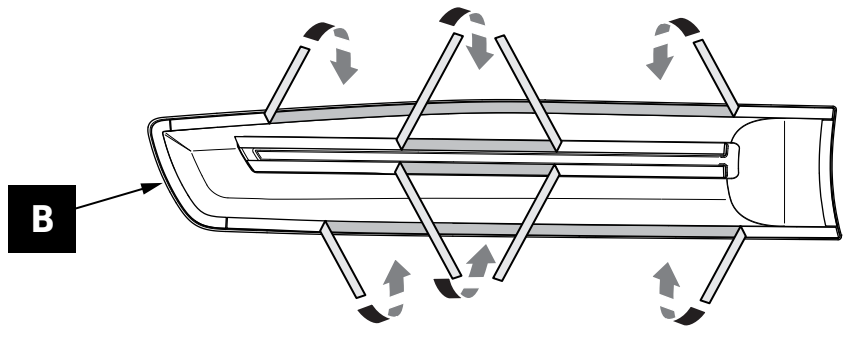
14

15

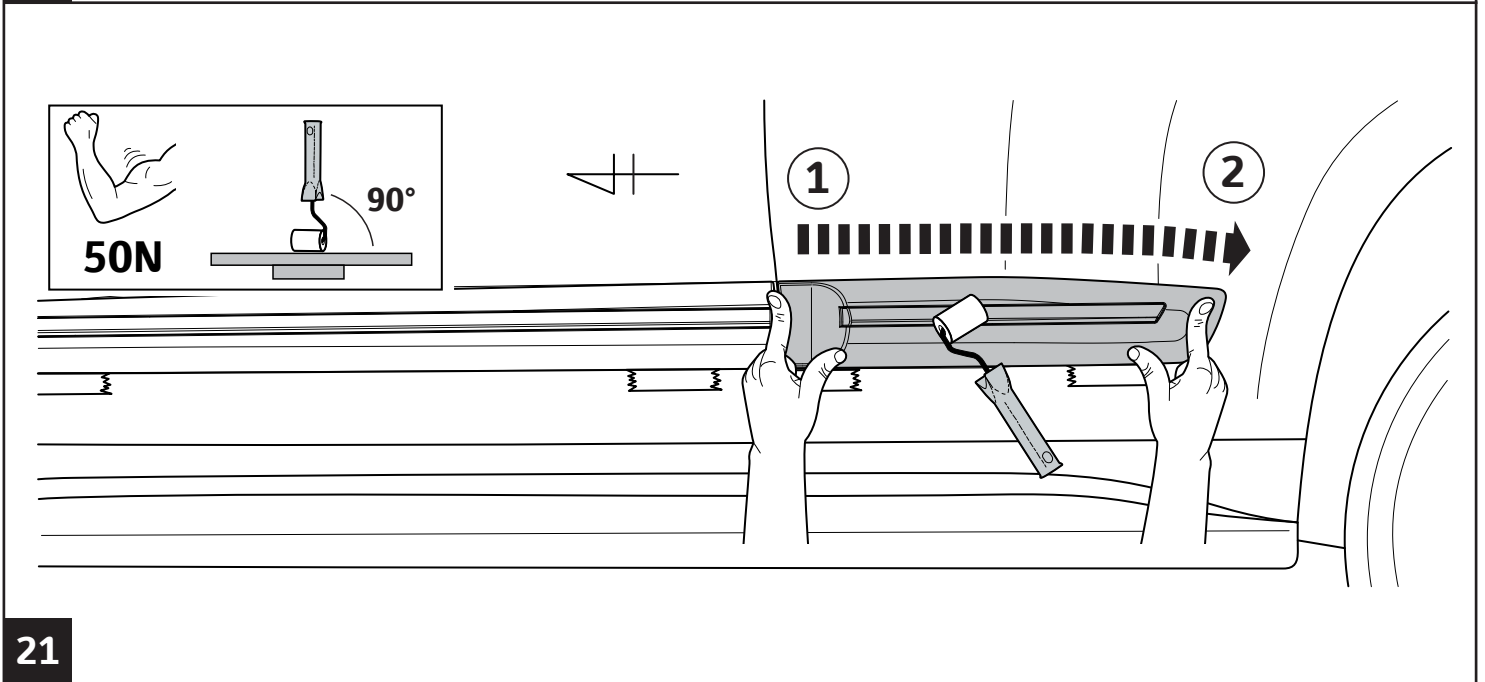
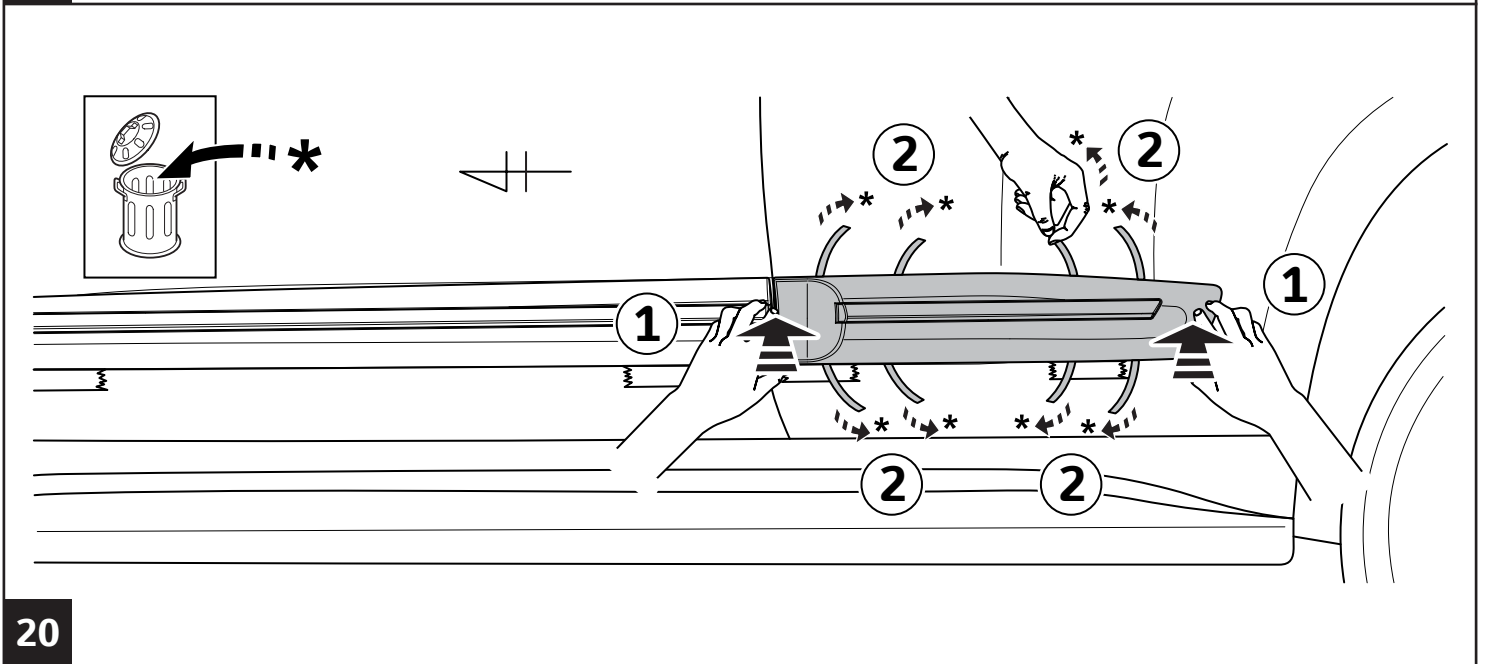
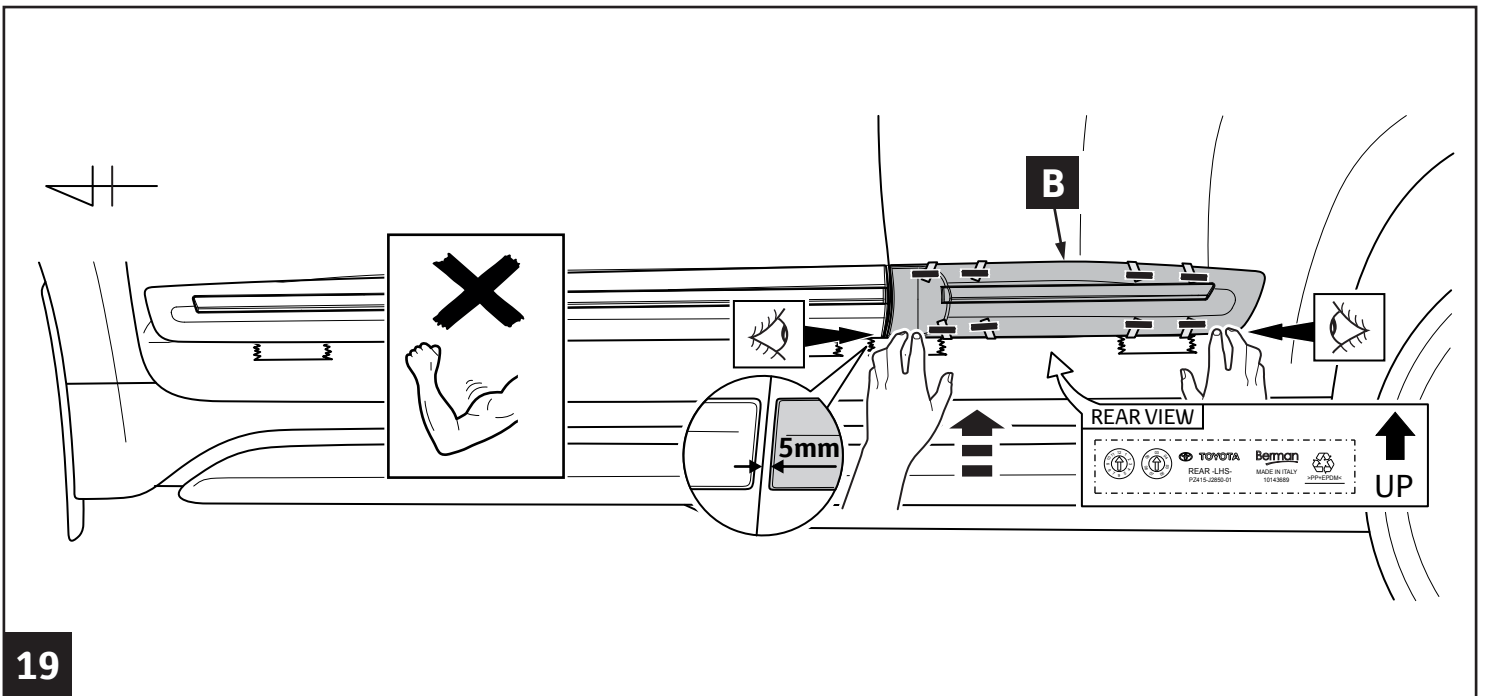
16

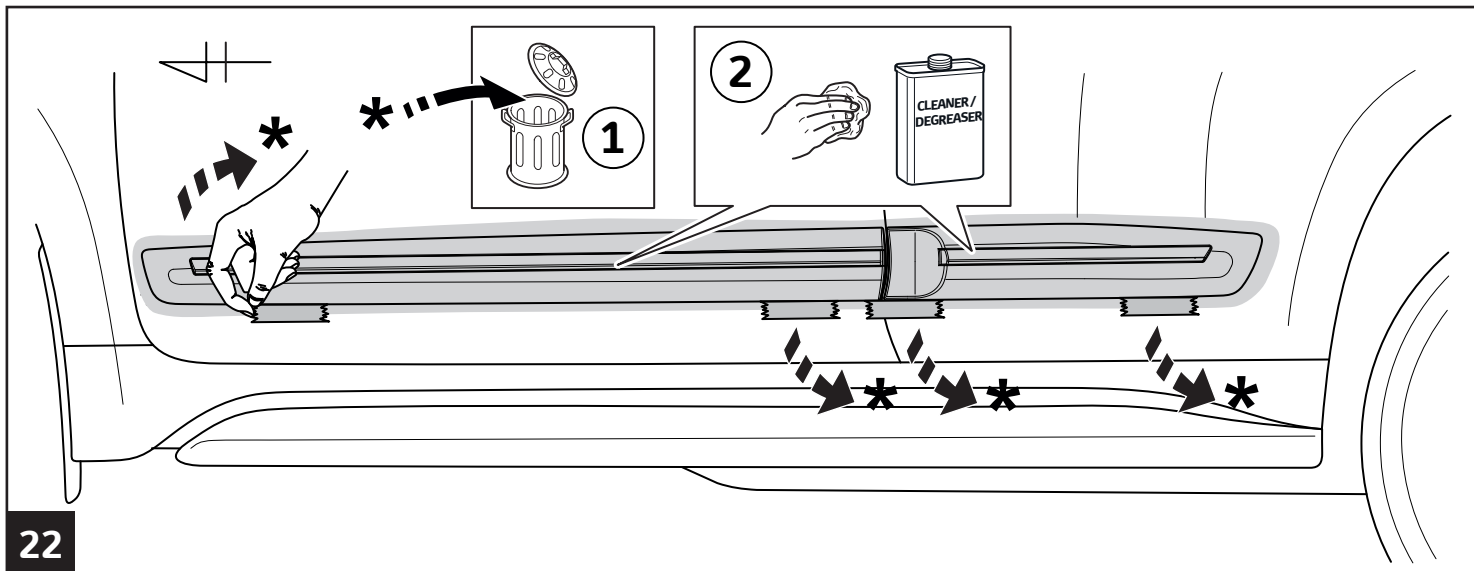


17



18

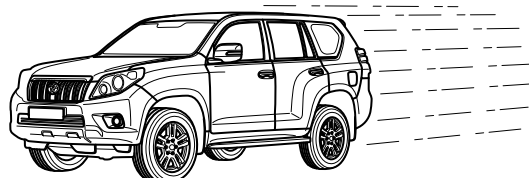
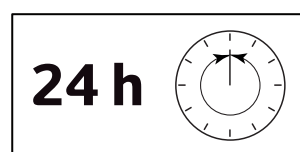
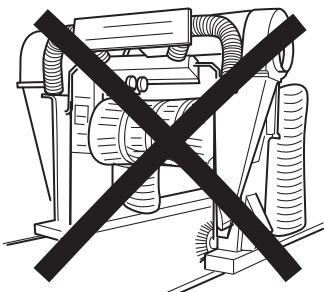




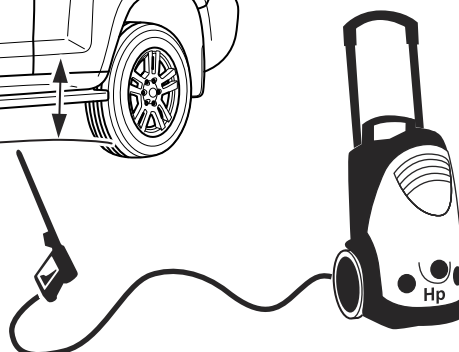
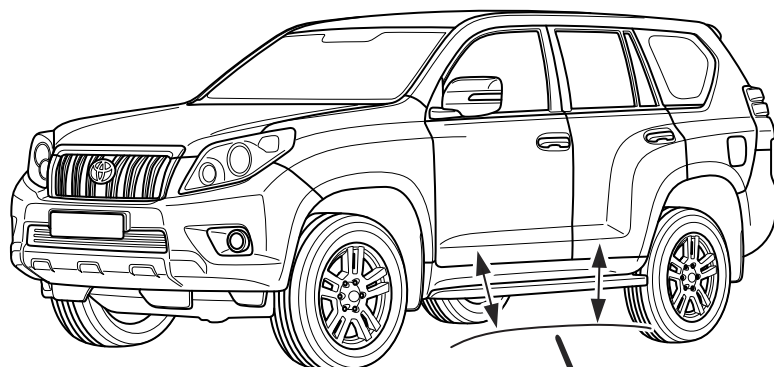
22

**LHS = RHS**  
**A B C D**

**INFO**



**Max. 90 Km/h**



**> 50 cm**

# CHECK SHEET

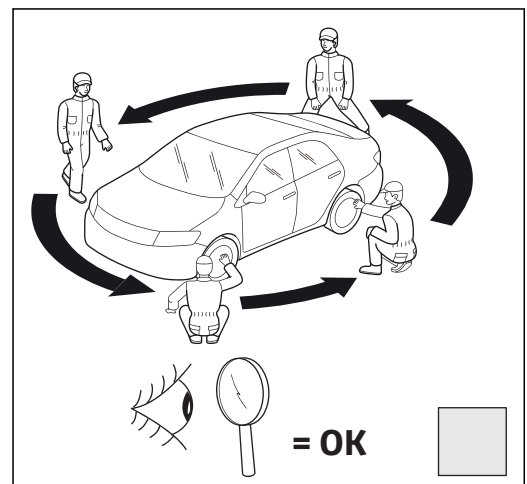
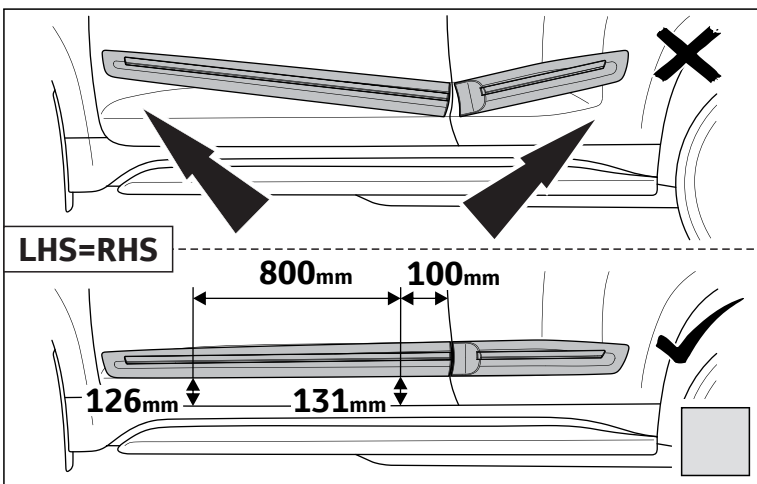
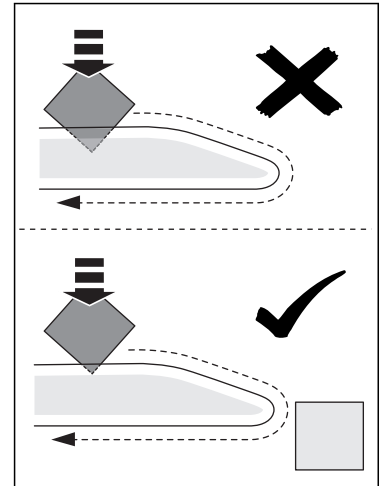
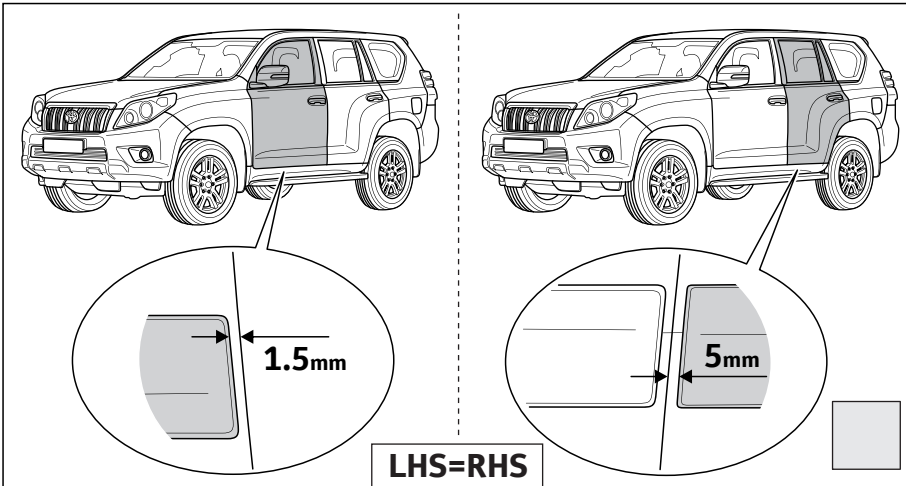
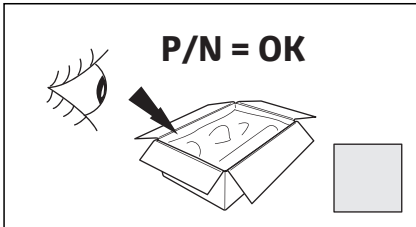


**TOYOTA**

**Model / Year** Land Cruiser 2009/09, Side mouldings  
2013/08, 2017/08,

**VIN n°**

ALWAYS A  
BETTER WAY



**Installation Date:**

... / ... / ...

**Technician Name & Signature:**

**Stamp:**