



TOYOTA

ALWAYS A
BETTER WAY

Yaris

Wind deflectors

Installation instructions

Model year: 2011/07, 2012/04, 2014/07, 2017/03

Vehicle code: **P13**-CH***W

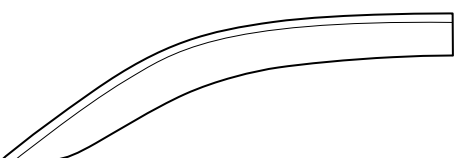
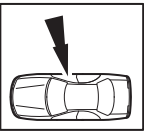

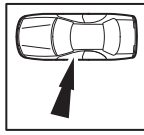

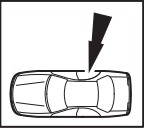

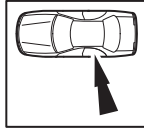
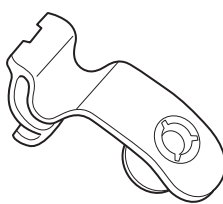
Part number: 08611-52860


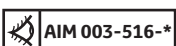


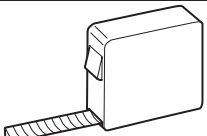

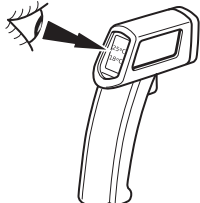

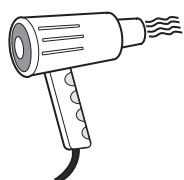

Manual reference number: AIM 002 252 - 3

Revision Record

| Rev. No. | Date | Page | Picture | Update | New | Deleted steps |
|----------|----------|------------|---------------|------------------------|-----|---------------|
| 01 | 01.04.13 | 3,4,5,6,7 | | X | | |
| 02 | 07.02.17 | 1-9 | | X | | |
| Rev. No. | Date | Page | Step | Remarks | | |
| 3 | 02.12.19 | 2 | | Tools added & updated | | |
| 3 | 02.12.19 | 3, 4, 7-10 | 1, 2, 4, 9-14 | Step updated | | |
| 3 | 02.12.19 | 4, 6, 9 | 3, 7, 15 | Step added | | |
| 3 | 02.12.19 | 11 | C/S | Checks added & updated | | |
| | | | | | | |

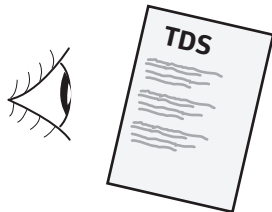
08611-52860

| | | | | | |
|----------|---|---|----------|--|---|
| A |  |  1x | B |  |  1x |
| C |  |  1x | D |  |  1x |
| E |  | | | | 8x |

| | | | | | |
|---|---|--|---|---|--|
|  CLEANER/ DEGREASER  AIM 003-516-* | PZ415-00000-00  3M adhesion promoter 4298 UV 2x |   |  |  ? °C  |  + °C  |
|---|---|--|---|---|--|



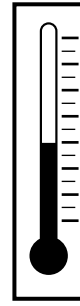
Material Safety Data Sheet



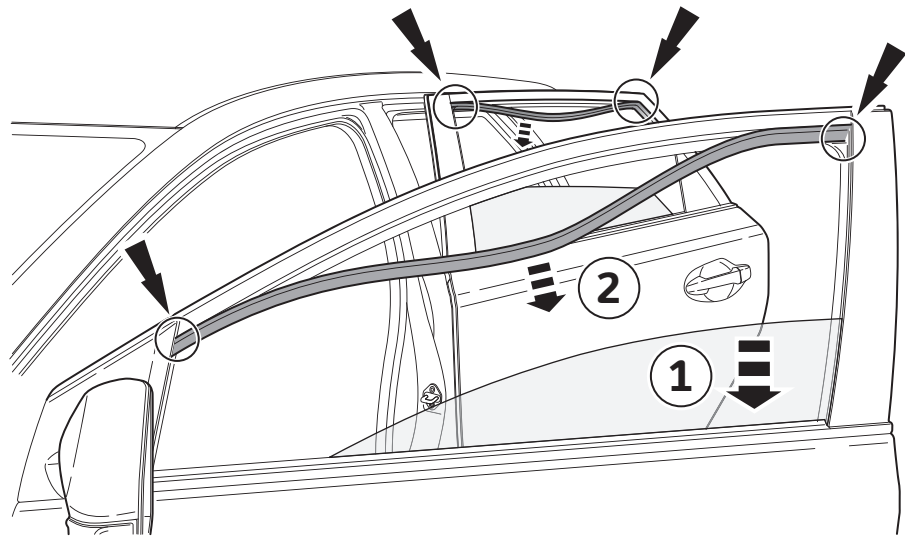
Technical Data Sheet

40°C

18°C

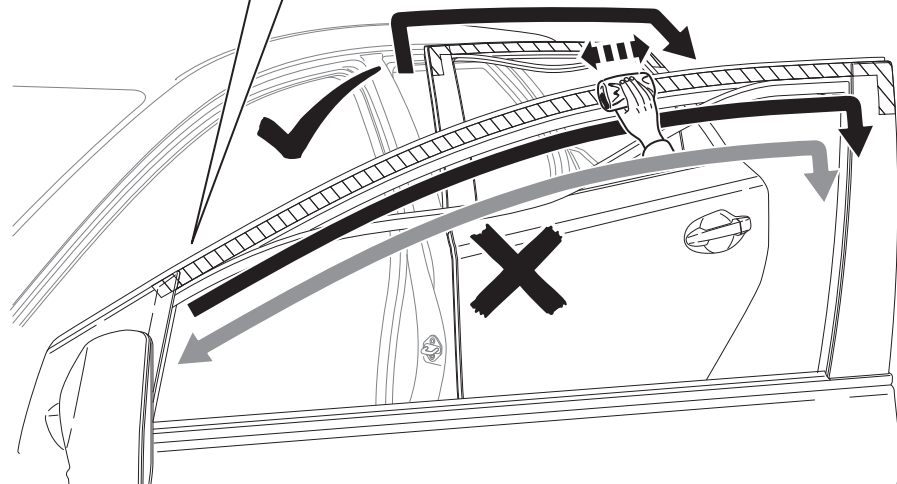
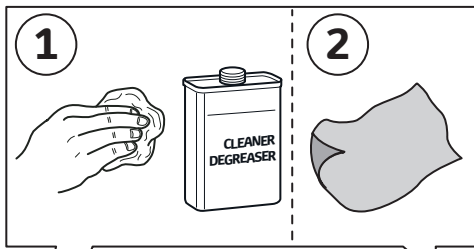


3

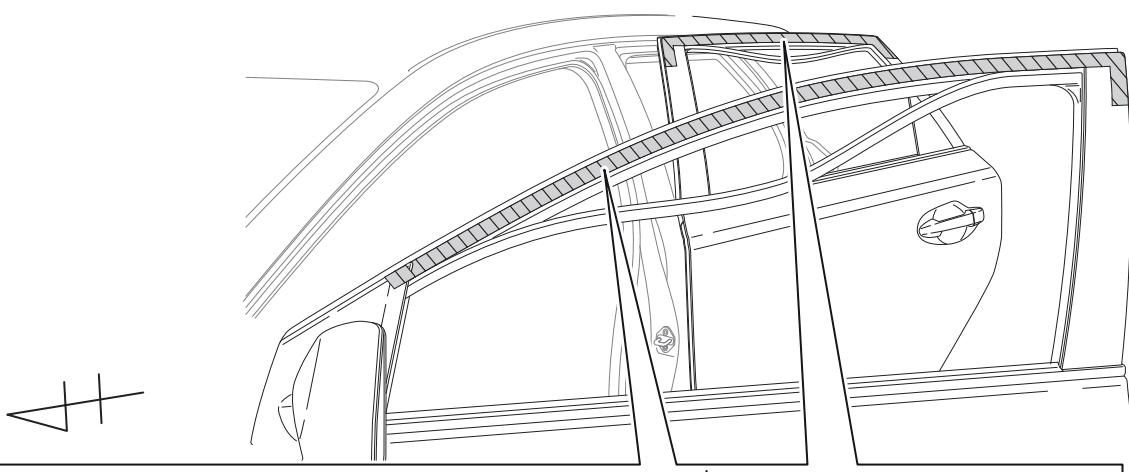


1

3



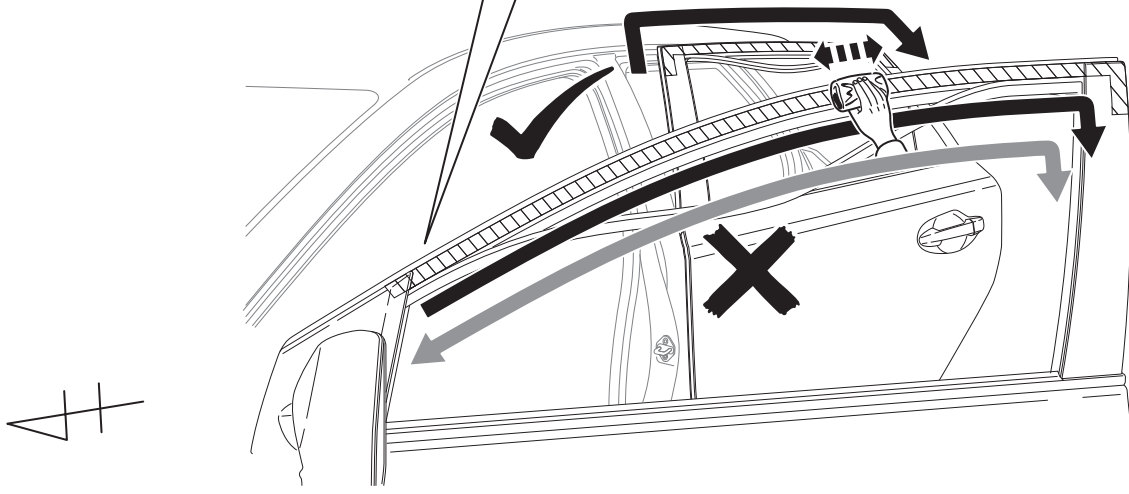
2



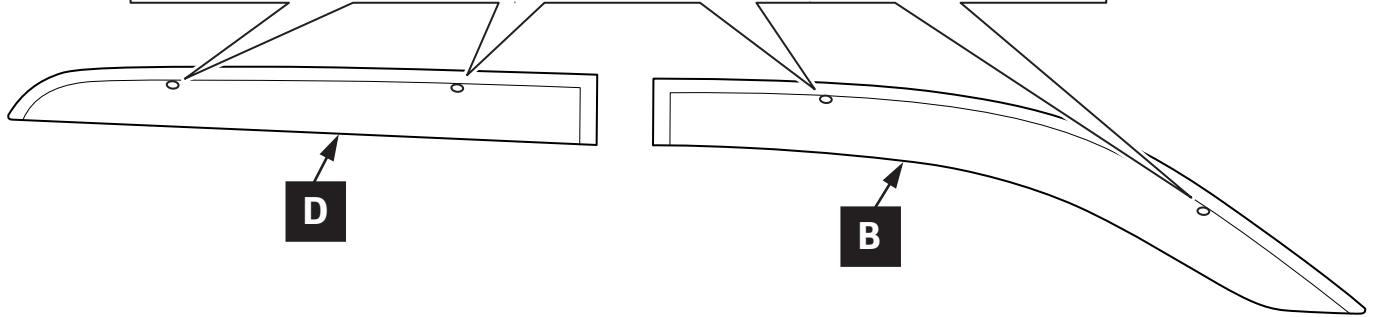
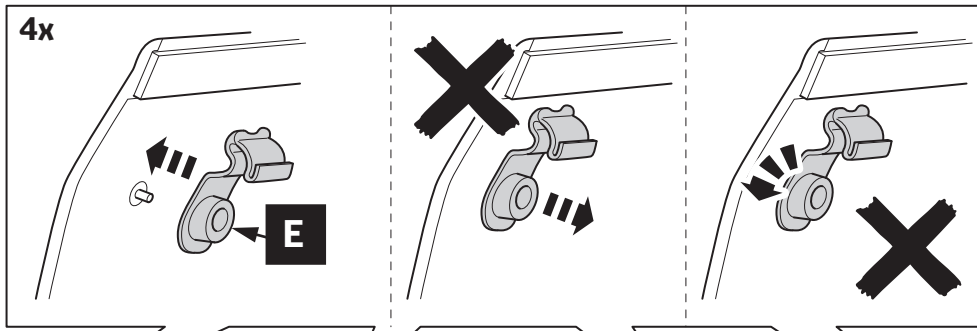
| | | |
|----------|--|--------------------|
| <p>1</p> | <p>< 20°C → 2</p> <p>> 20°C - 40°C → 4</p> | <p>2</p> |
| <p>3</p> | <p>> 20°C - 40°C → 4</p> | <p>INFO</p> |

3

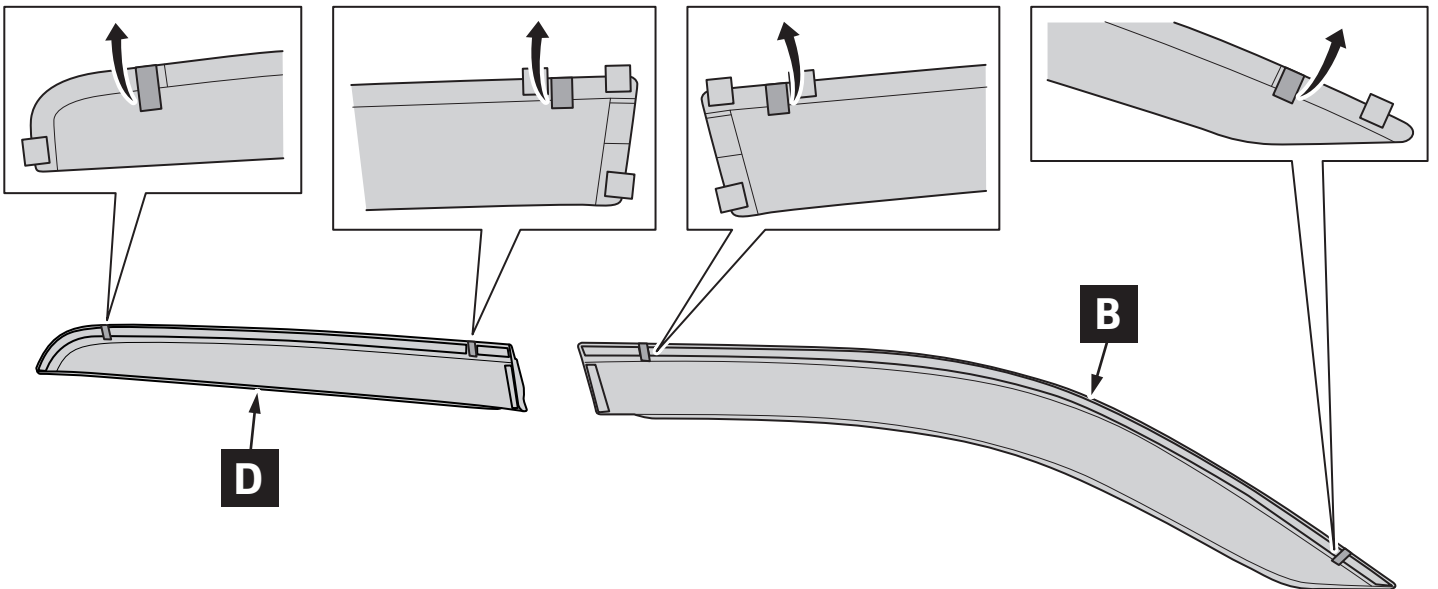
| | |
|--|------------------------------------|
| | |
| <p>PZ415-00000-00 3M Adhesion Promoter UV 4298</p> | <p>MIN 90 sec. MAX 60 min.</p> |



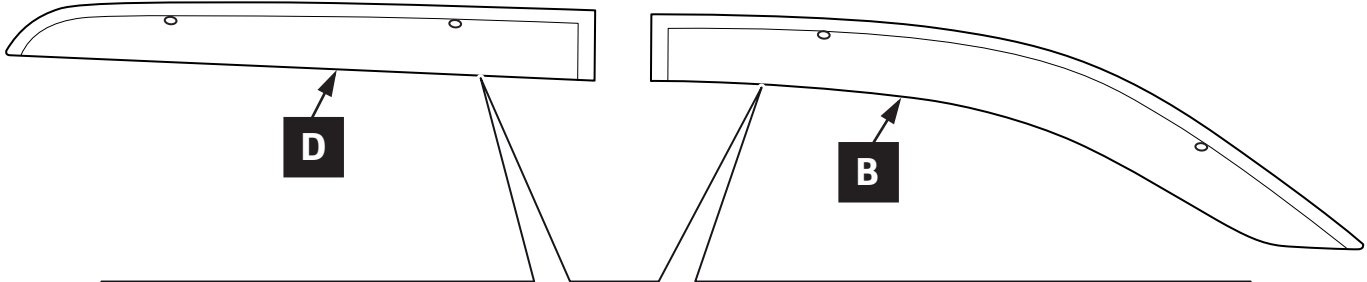
4

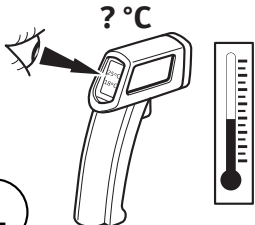
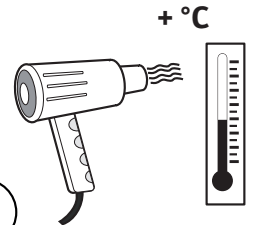
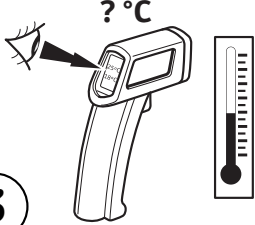

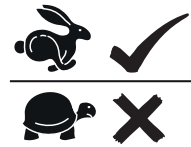


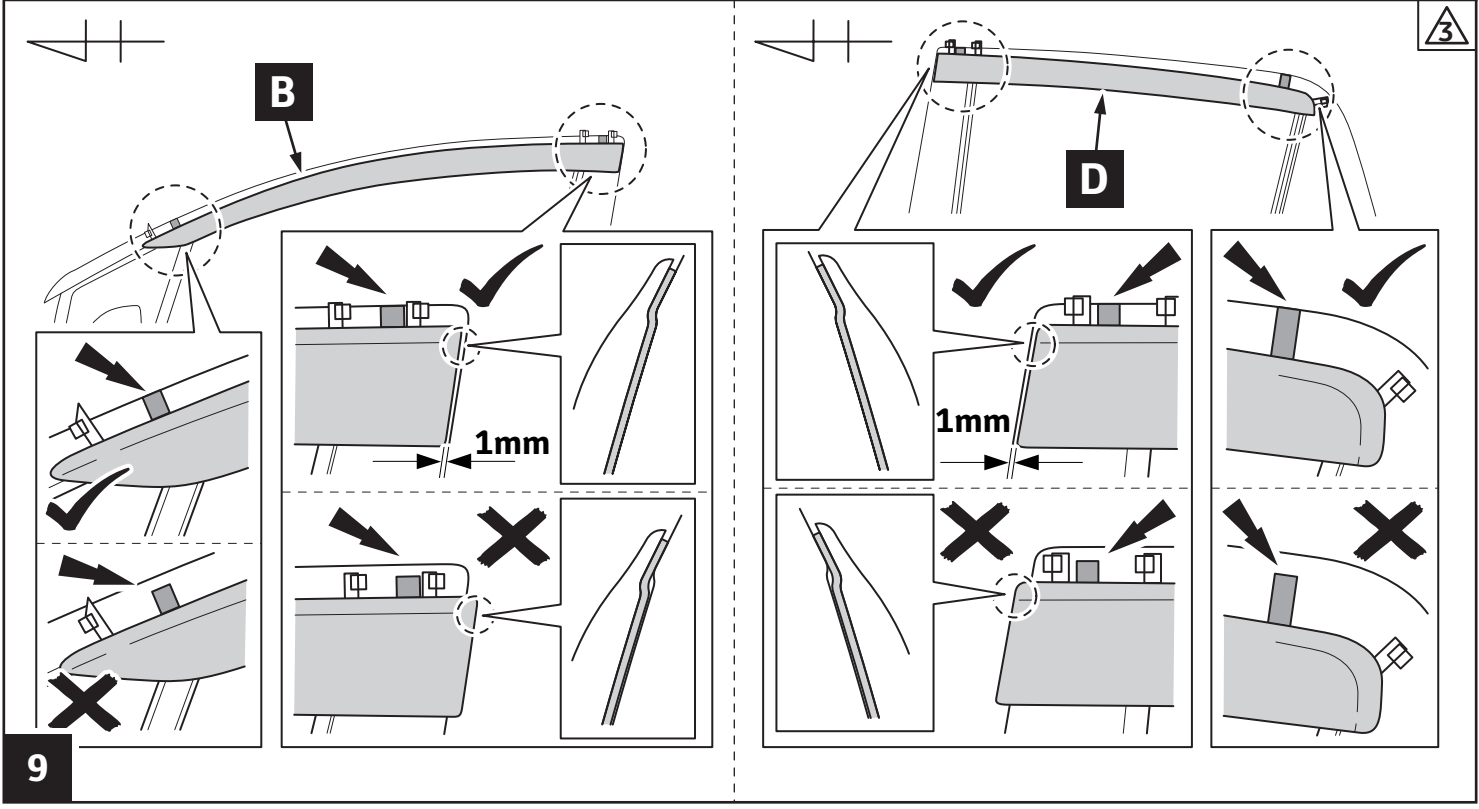
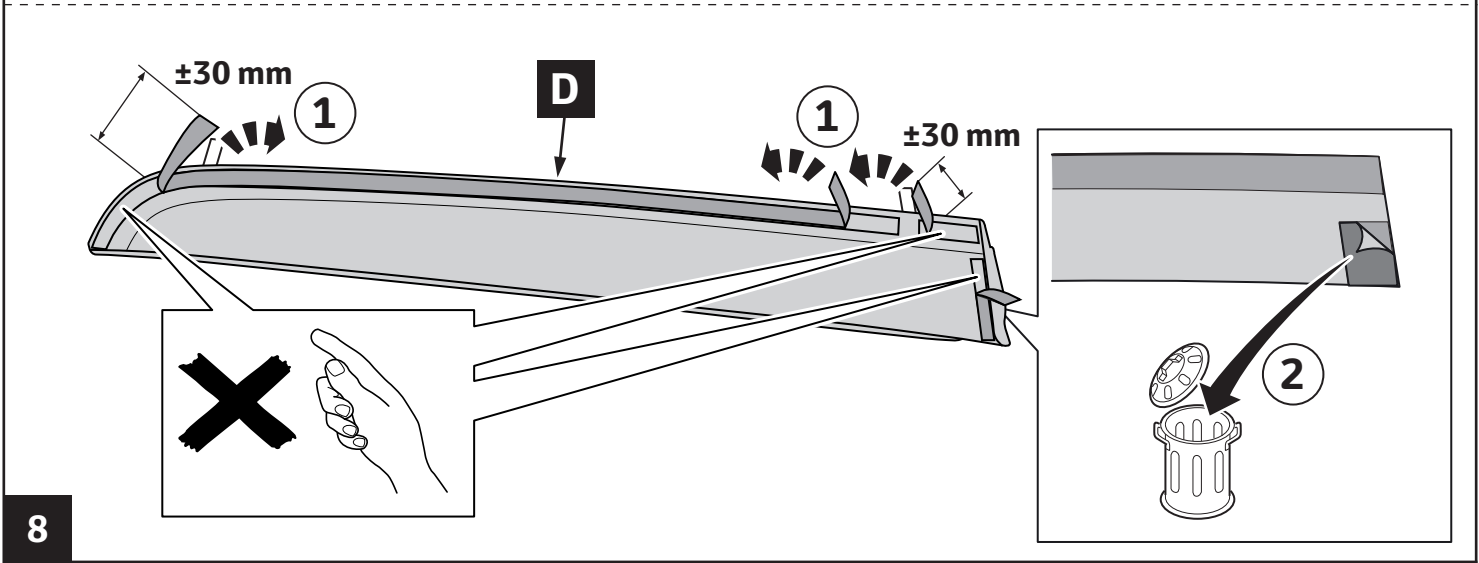
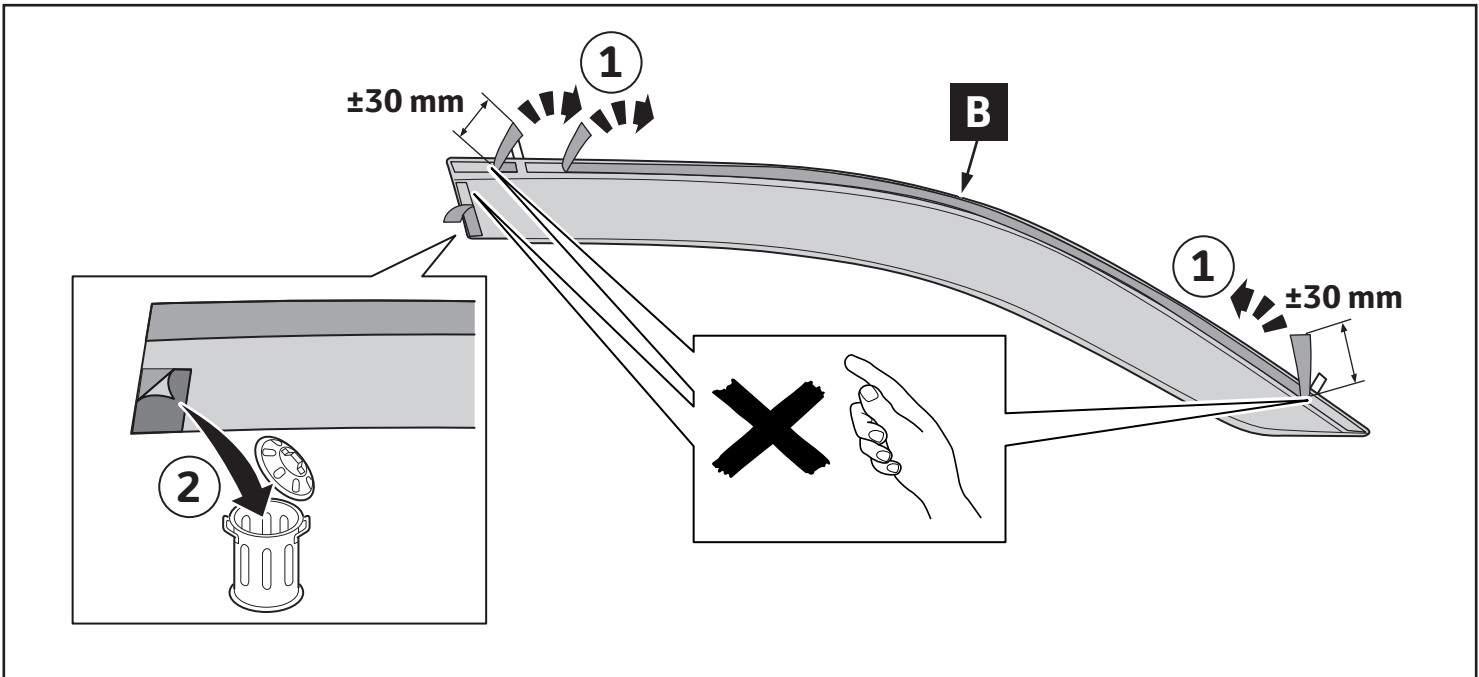
5

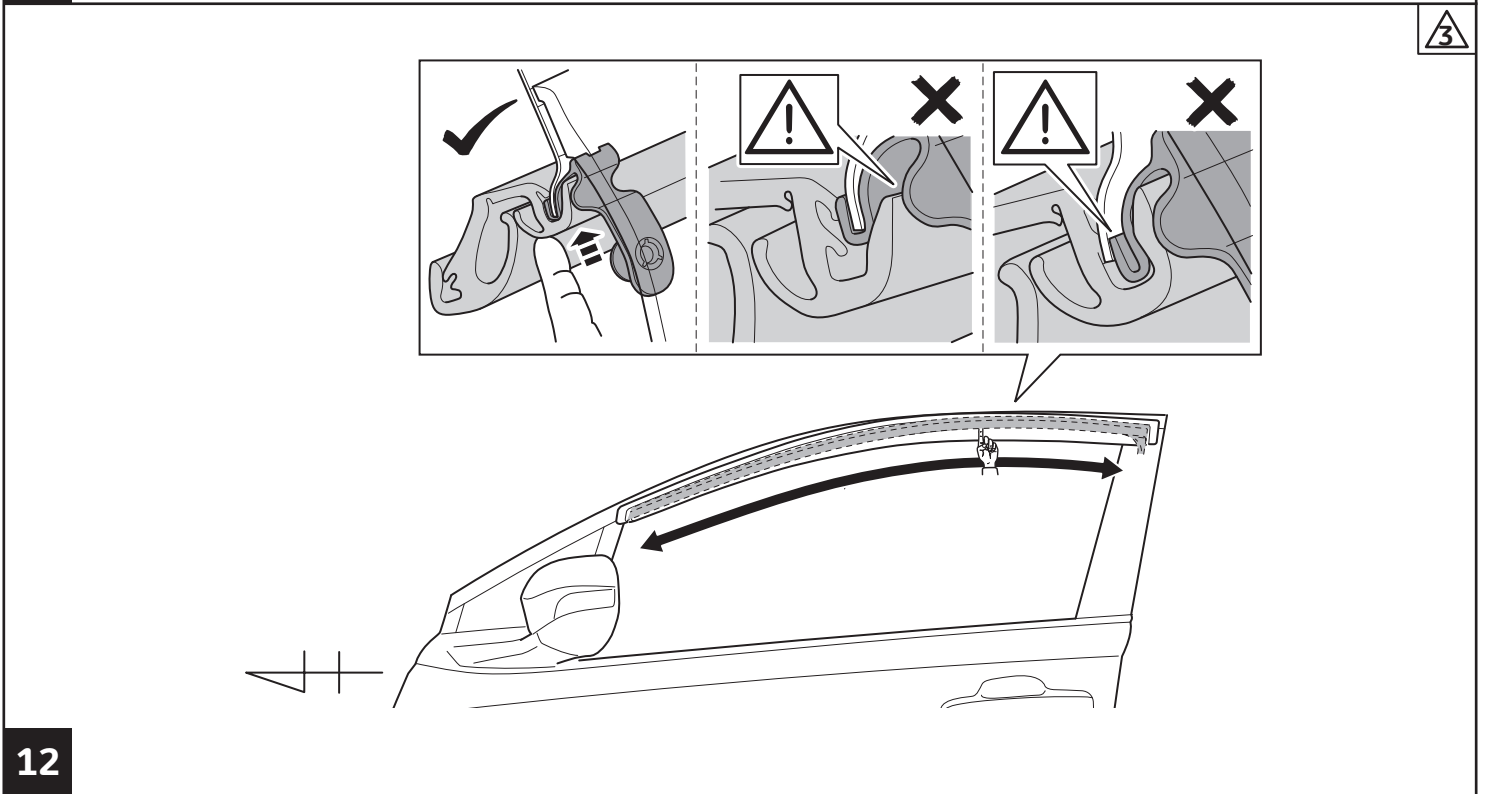
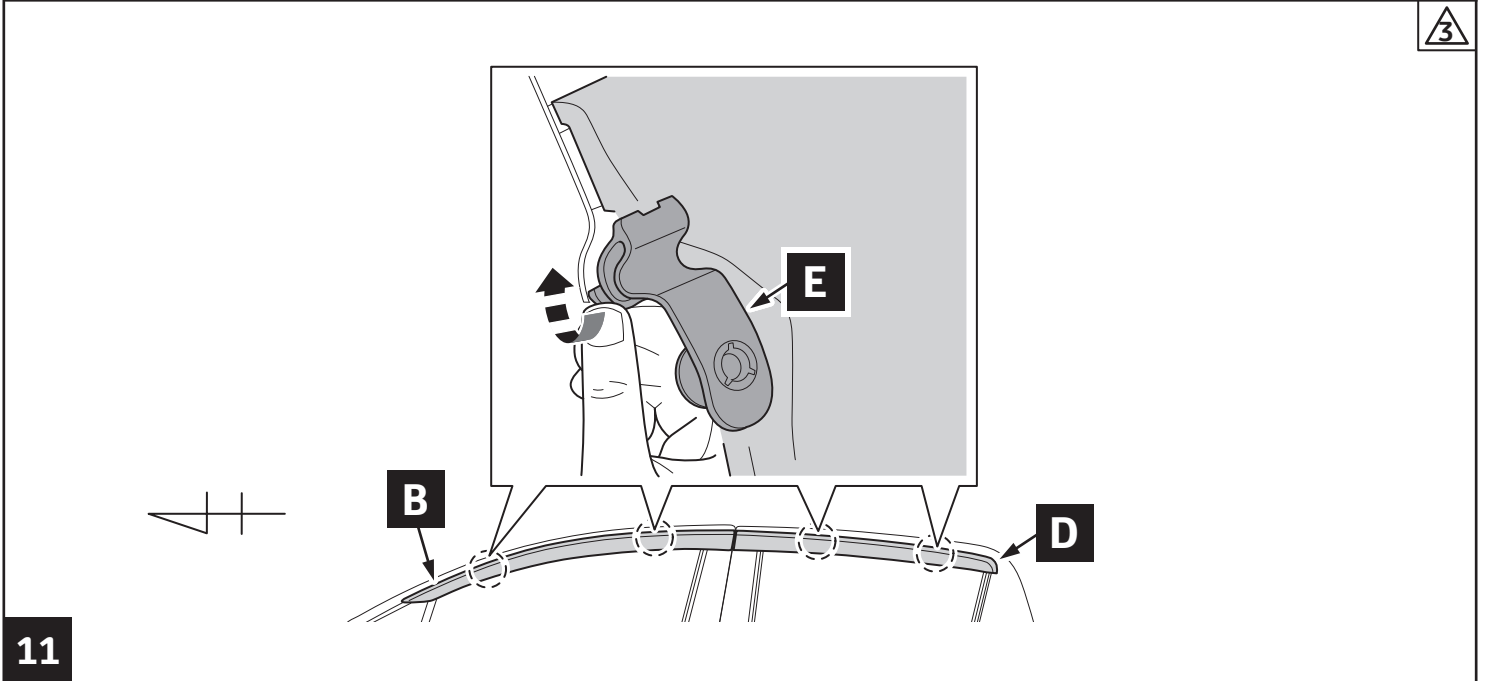
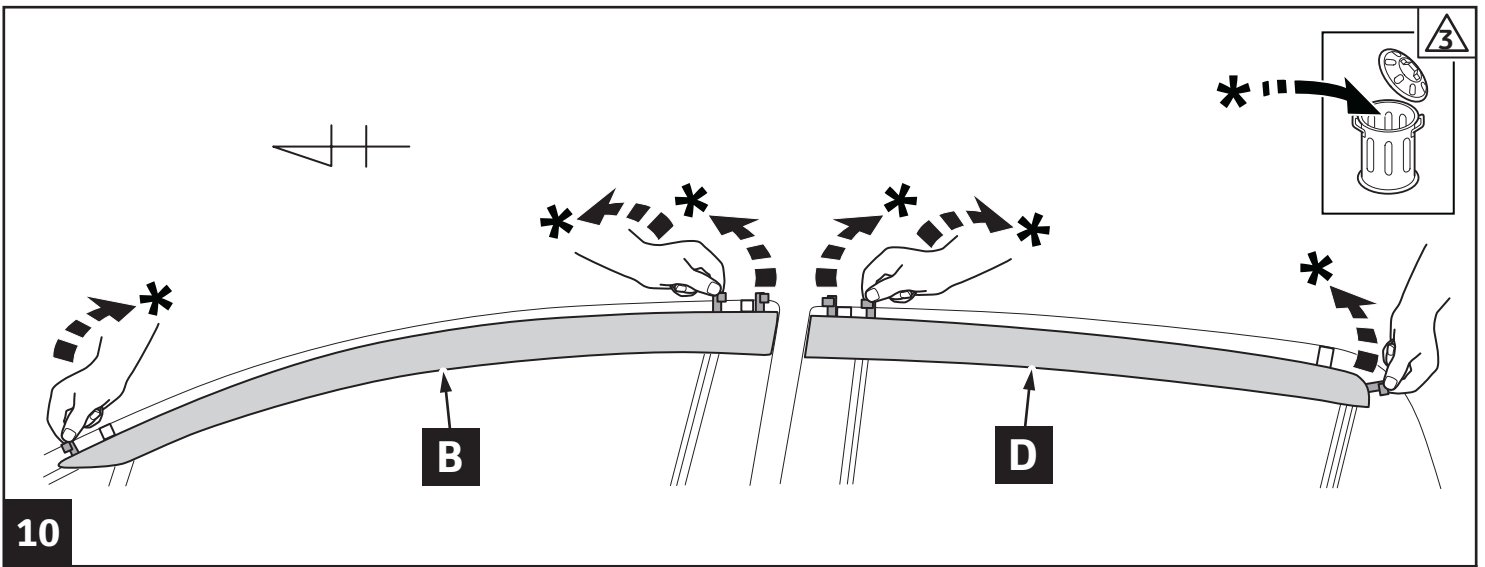


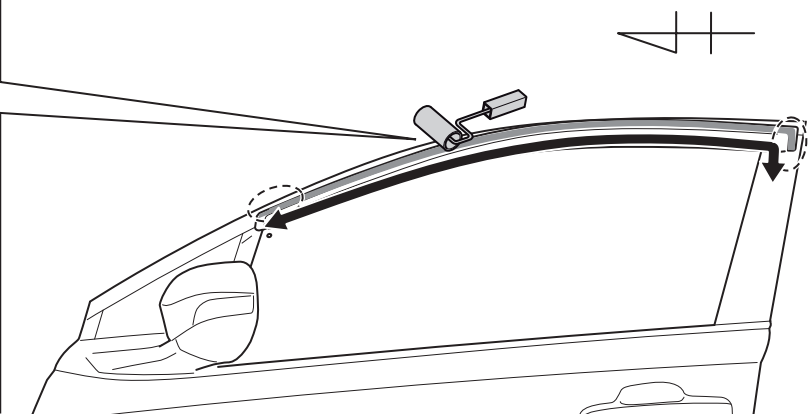
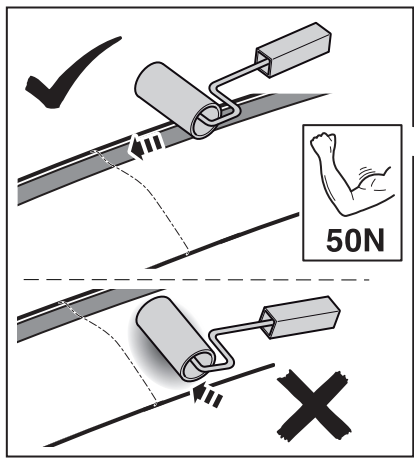
6



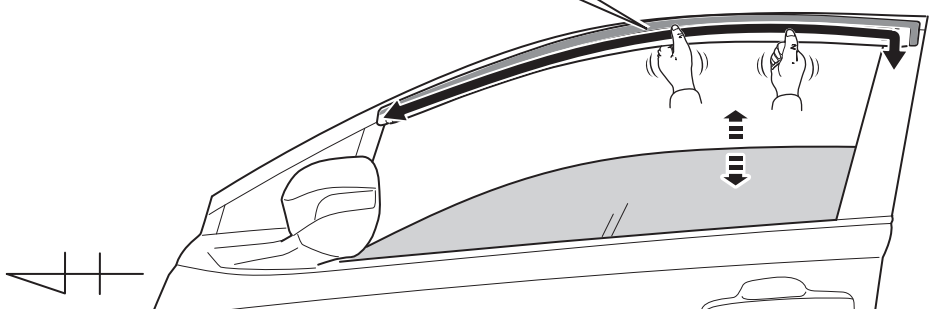
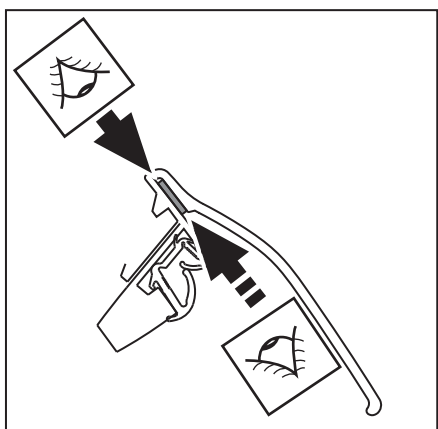
| | | |
|--|--|--|
| <p>1</p>  | <p>< 20°C → 2</p> <p>> 20°C - 40°C → 8</p> | <p>2</p>  |
| <p>3</p>  | <p>> 20°C - 40°C → 8</p> | <p>INFO</p>   |







13



14

Fig.1→Fig.14

LHS

C D

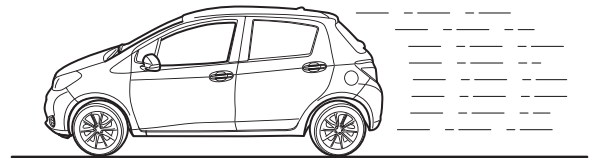
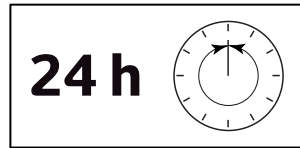
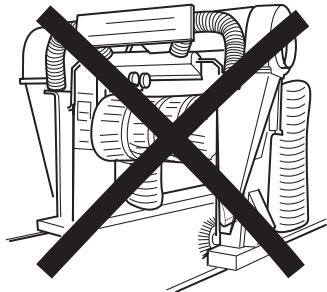
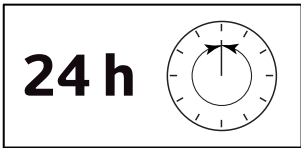
=

Fig.1→Fig.14

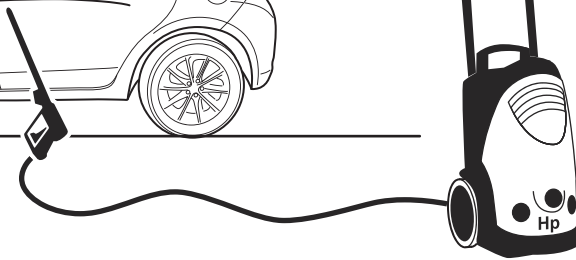
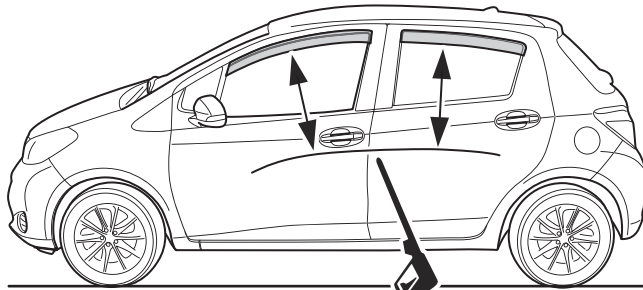
RHS

A B

15



Max. 90 Km/h



> 1 meter

CHECK SHEET Page 1 of 1



TOYOTA

ALWAYS A BETTER WAY

Model / Year

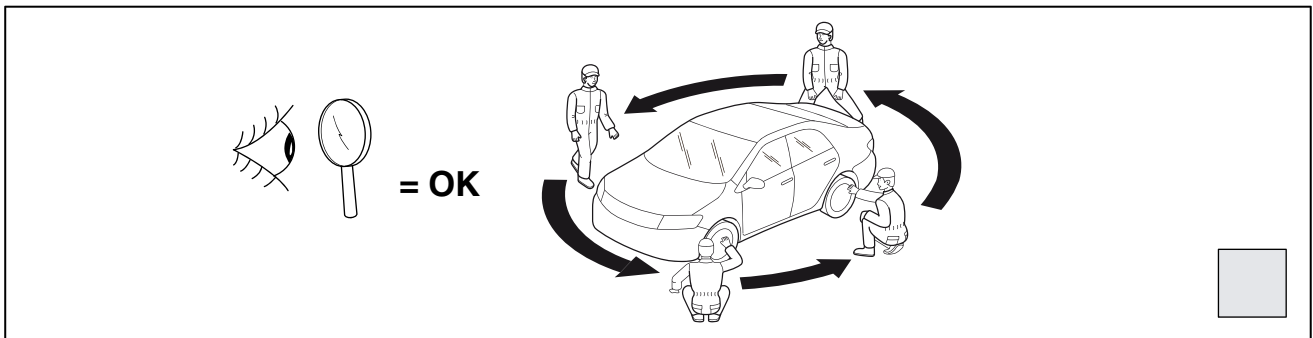
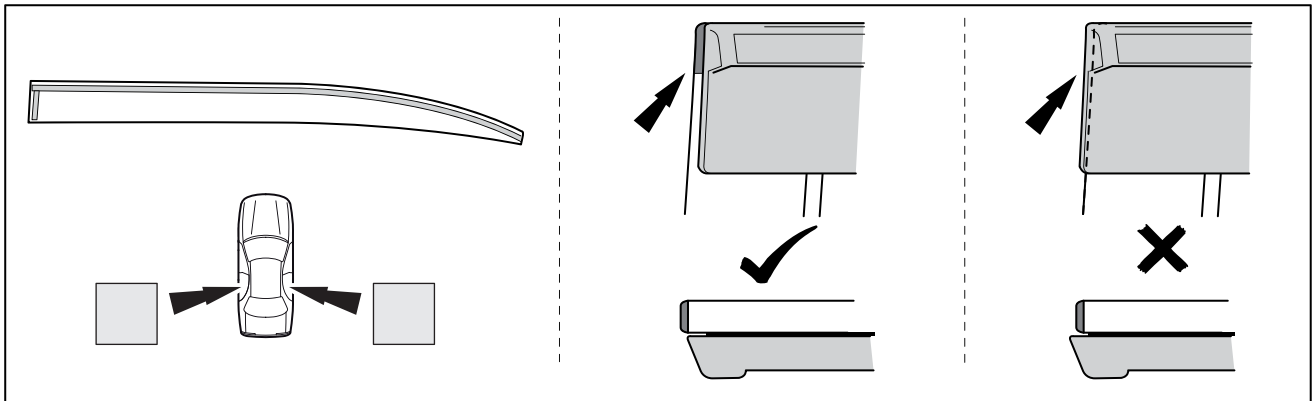
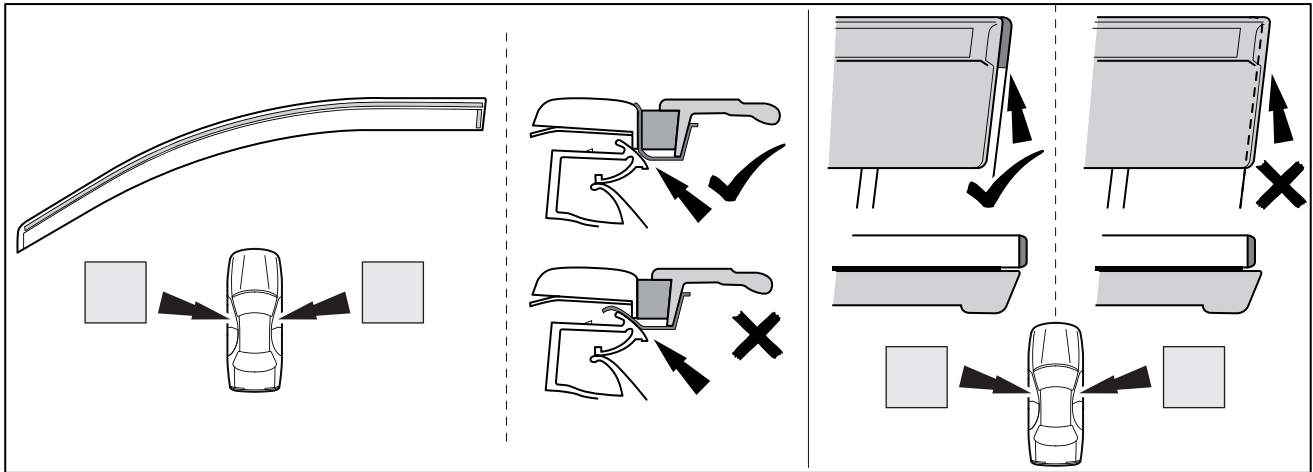
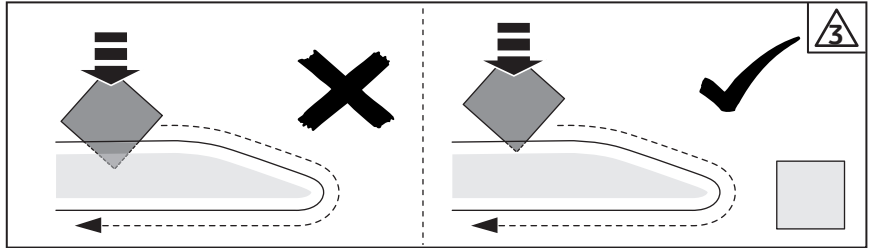
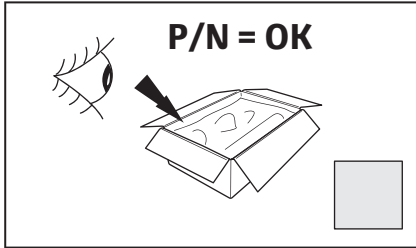
Yaris

Wind deflectors

**2011/07, 2012/04,
2014/07, 2017/03**

VIN n°

□ □ □ □ □ □ □ □ □ □ □ □ □ □ □ □ □ □



Installation Date:
... / ... / ...

Technician Name & Signature:

Stamp: