



TOYOTA

ALWAYS A
BETTER WAY

Land Cruiser

Wind deflectors

Installation Instructions

Model year: 2009/09, 2013/08, 2017/08

Vehicle code: **J15*L-G****W

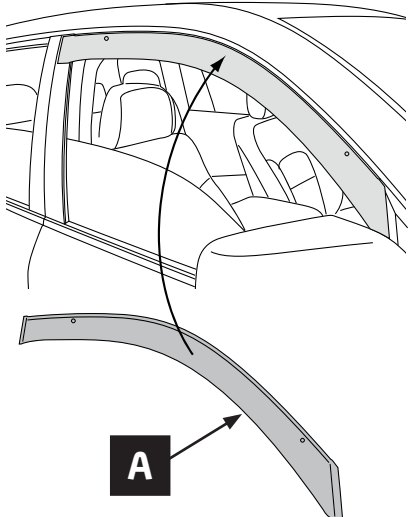
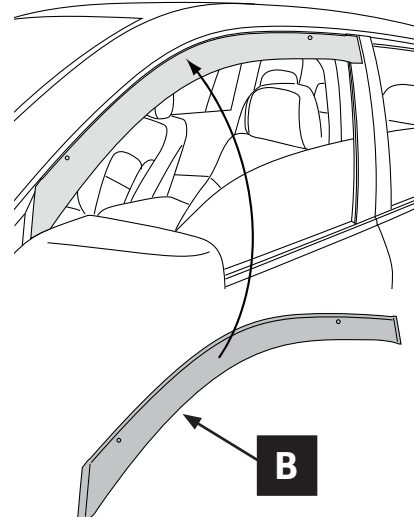


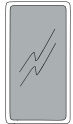
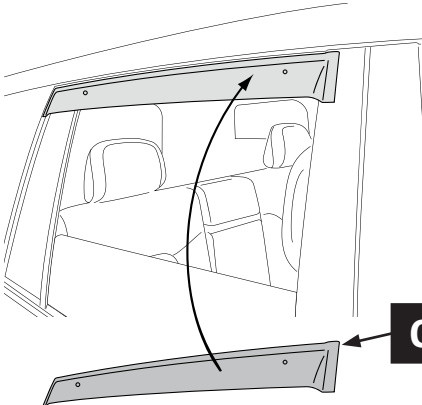
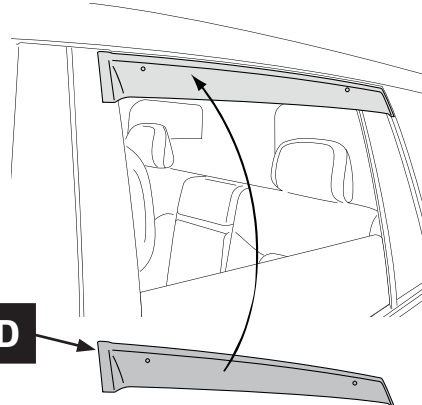

Part number: PW162-60001
PZ415-J0532-ZA

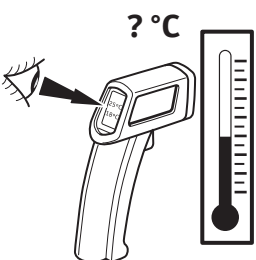
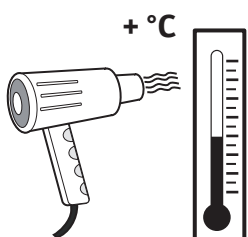

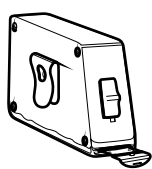

Manual reference number: AIM 001 623 - 3

Revision Record

Rev. No.	Date	Page	Picture	Update	New	Deleted steps
1	16.07.13	3	1		X	
1	16.07.13	3, 6, 7	2, 25	X		
2	09.08.17	1 - 11	1, 4, 6, 7, 8, 9, 12, 14, 15, 16, 17	X		
2	09.08.17	2 - 11	2, 3, 5, 10, 11, 13, 18		X	
3	06.09.17	1		X		

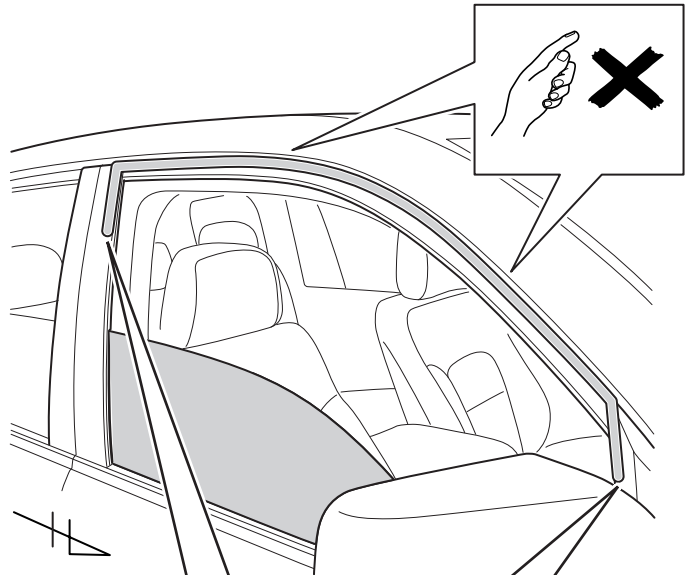
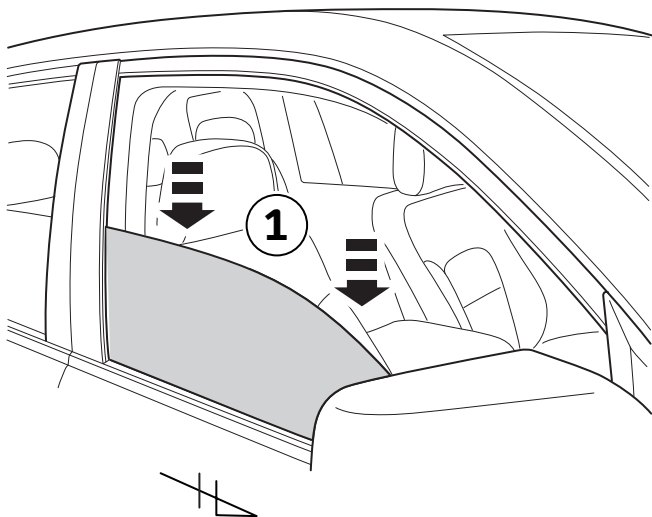
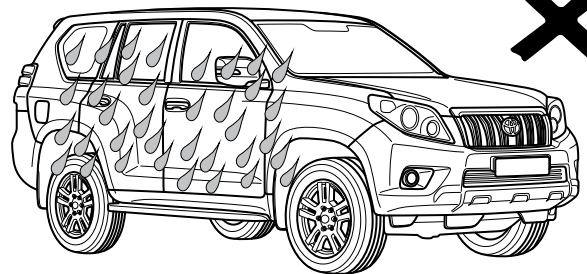
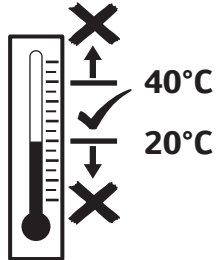
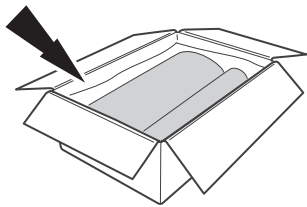
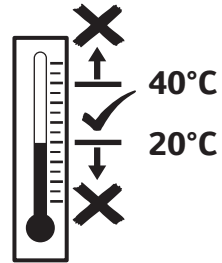
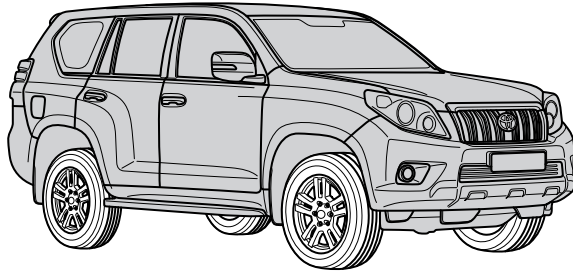
PW162-60001

<p>FRONT SET</p>	 <p>A</p>	 <p>B</p>	 <p>E 8x</p>  <p>F 8x</p>  <p>G 8x</p>
<p>REAR SET</p>	 <p>C</p>	 <p>D</p>	<p>PZ415-00000-00 3M Adhesion promoter UV 4298</p>  <p>H 2x</p>

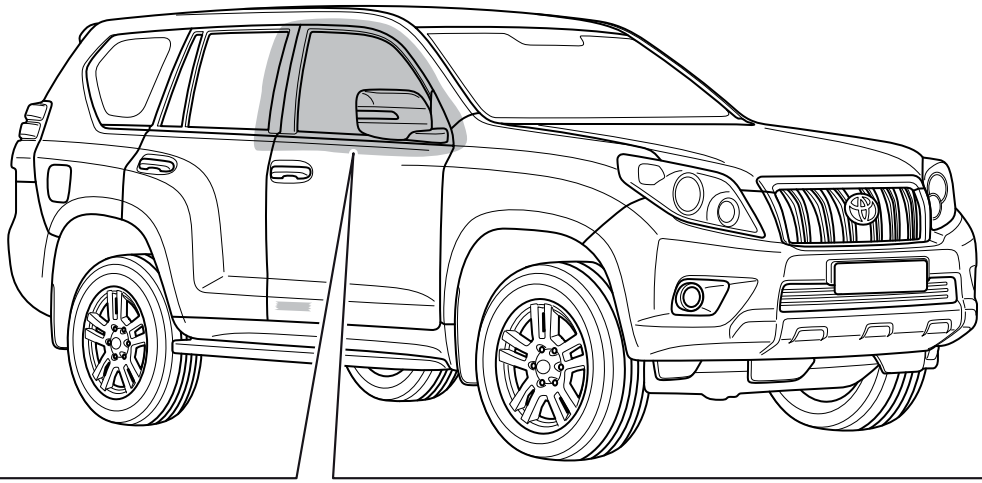
 <p>? °C</p>	 <p>+ °C</p>			
--	---	---	---	---



INFO

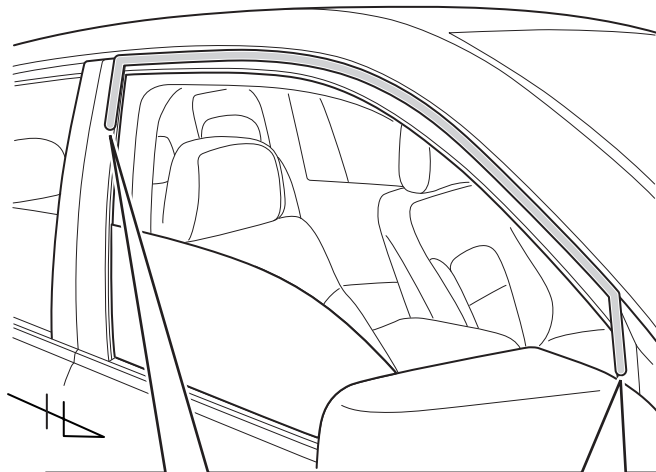


1



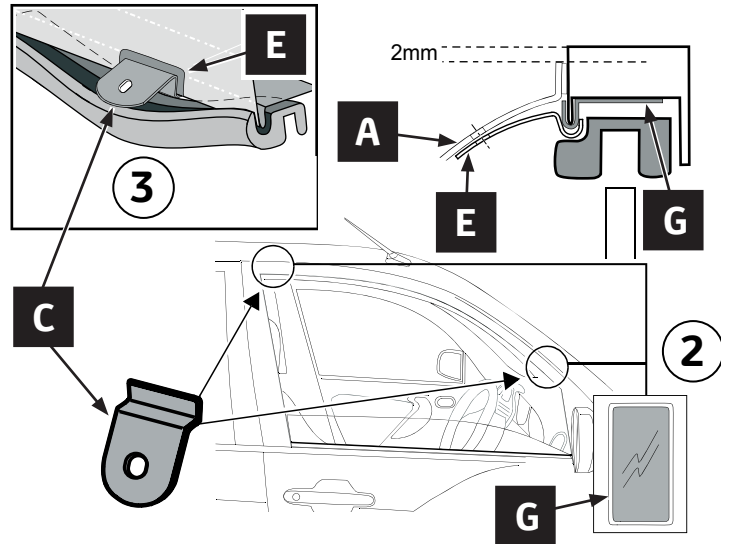
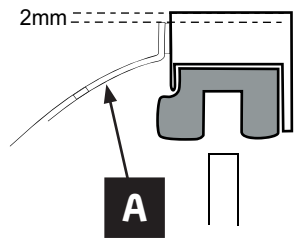
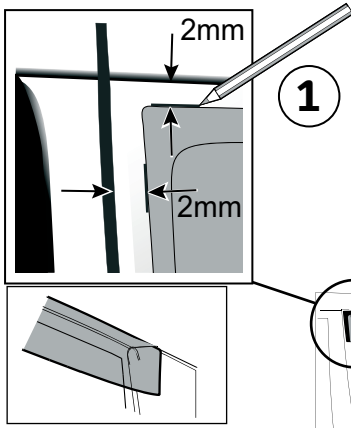
<p>1</p>	<p>< 20°C → 2</p> <p>> 20°C - 40°C → 3</p>	<p>2</p>
<p>3</p>	<p>> 20°C - 40°C → 3</p>	<p>INFO</p>

2

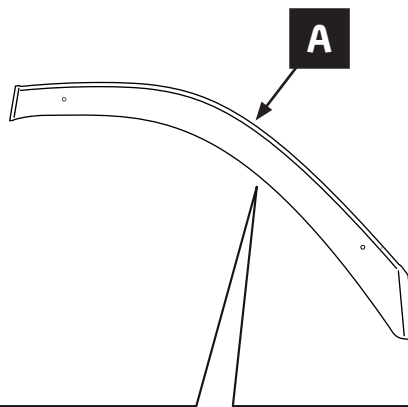


<p>1</p> <p>H</p> <p>adhesion promoter</p>	<p>2</p> <p>3 → → 4</p> <p>≥ 45 sec.</p>
---	---

3

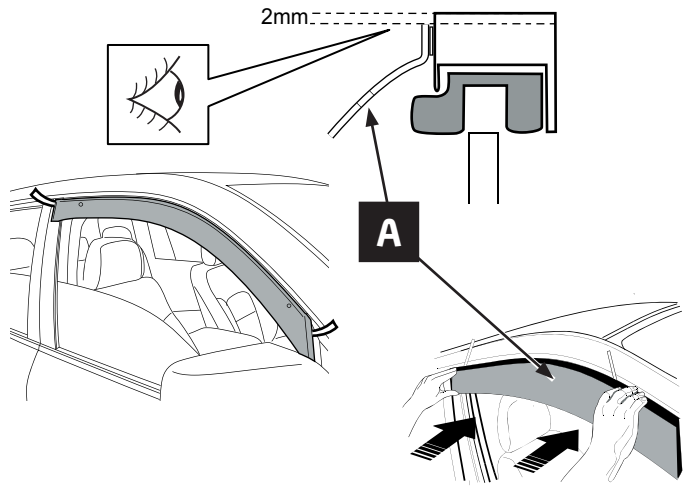
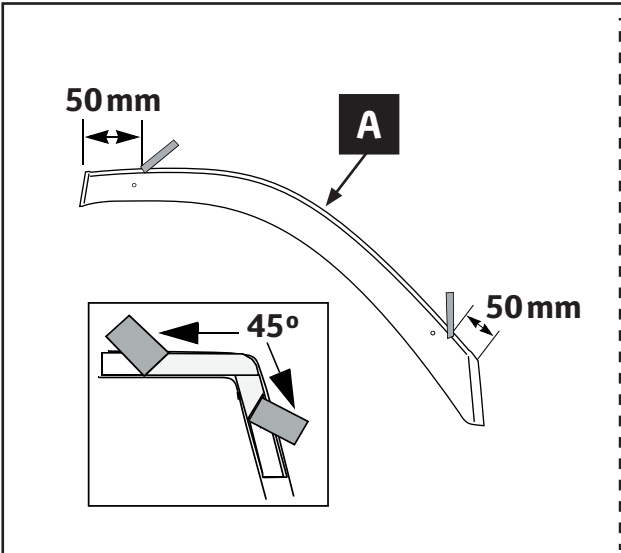


4

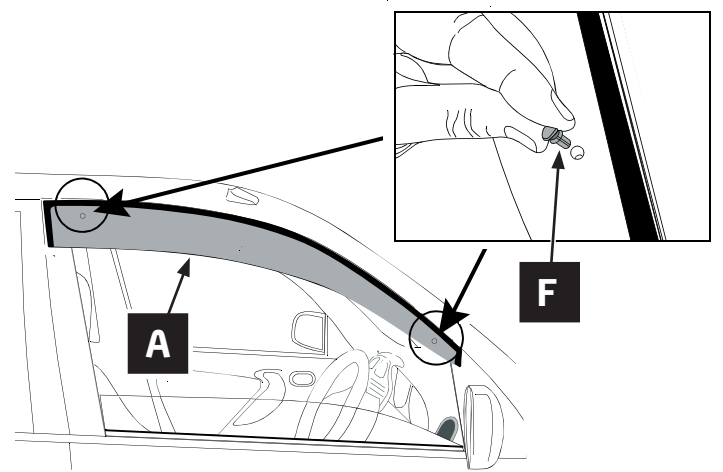
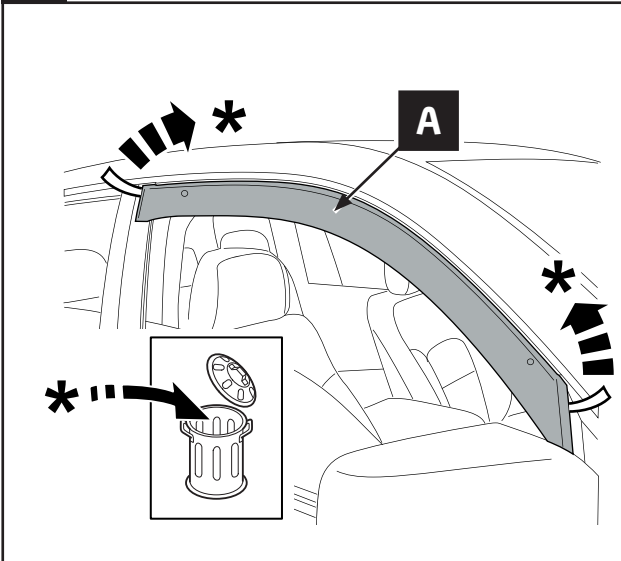


<p>1</p>	<p>< 20°C → 2</p> <p>> 20°C - 40°C → 6</p>	<p>2</p>
<p>3</p>	<p>> 20°C - 40°C → 6</p>	<p>INFO</p>

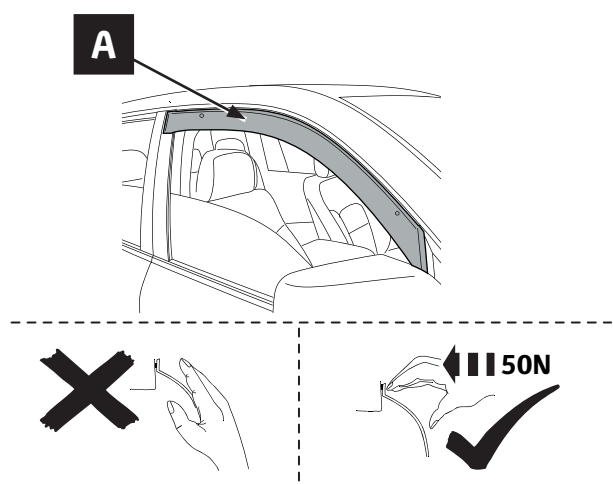
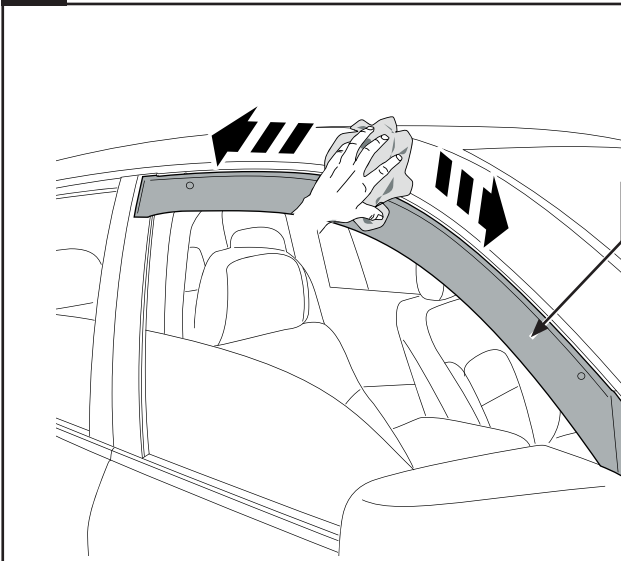
5



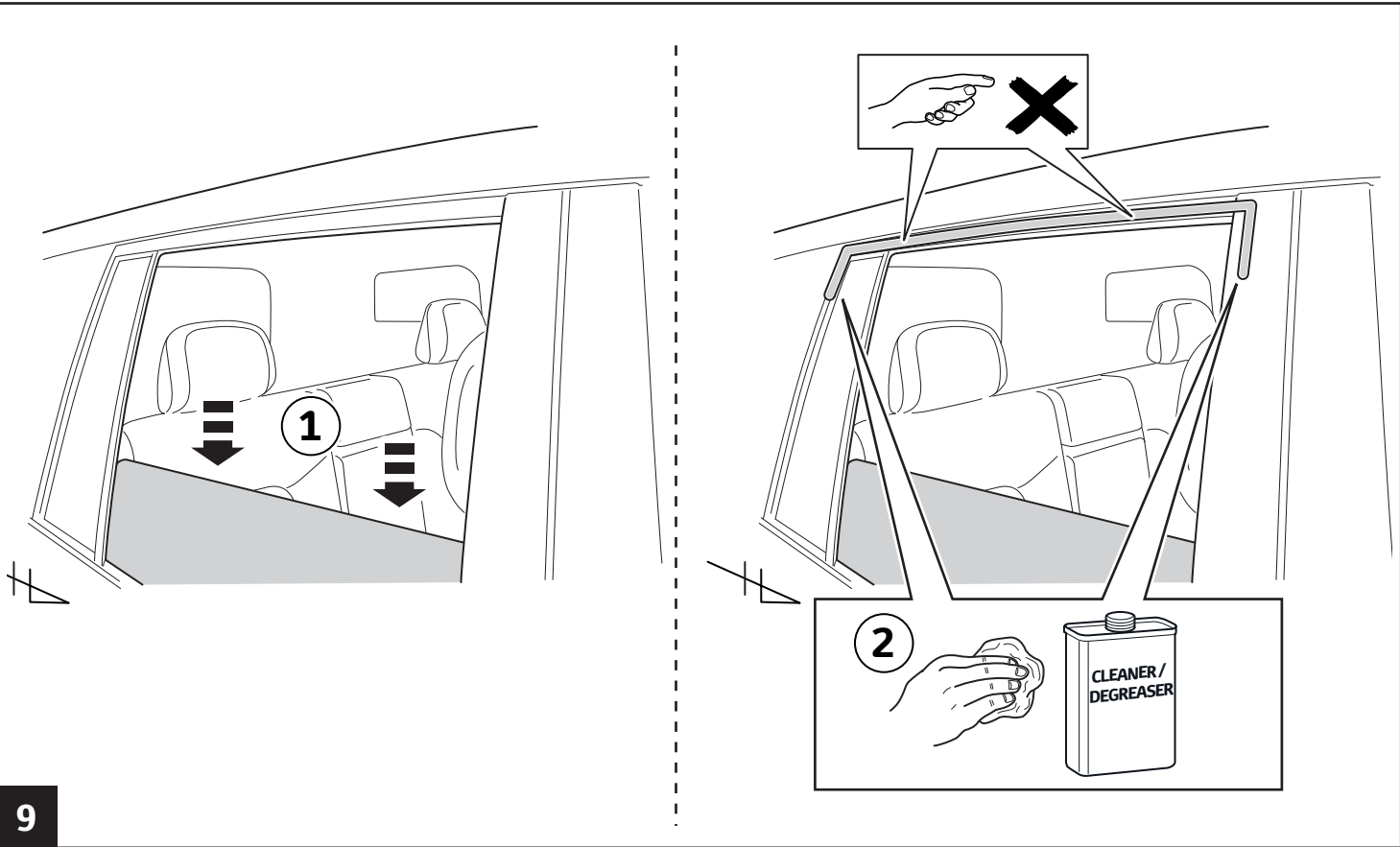
6



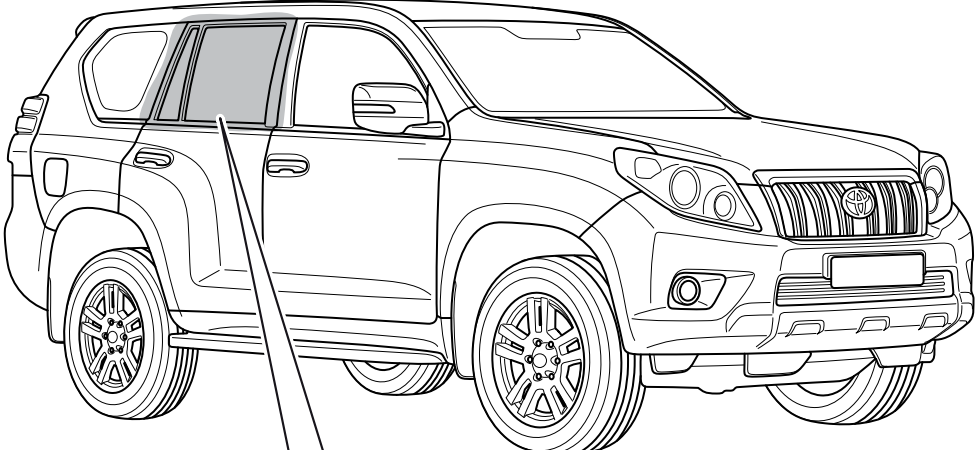
7



8

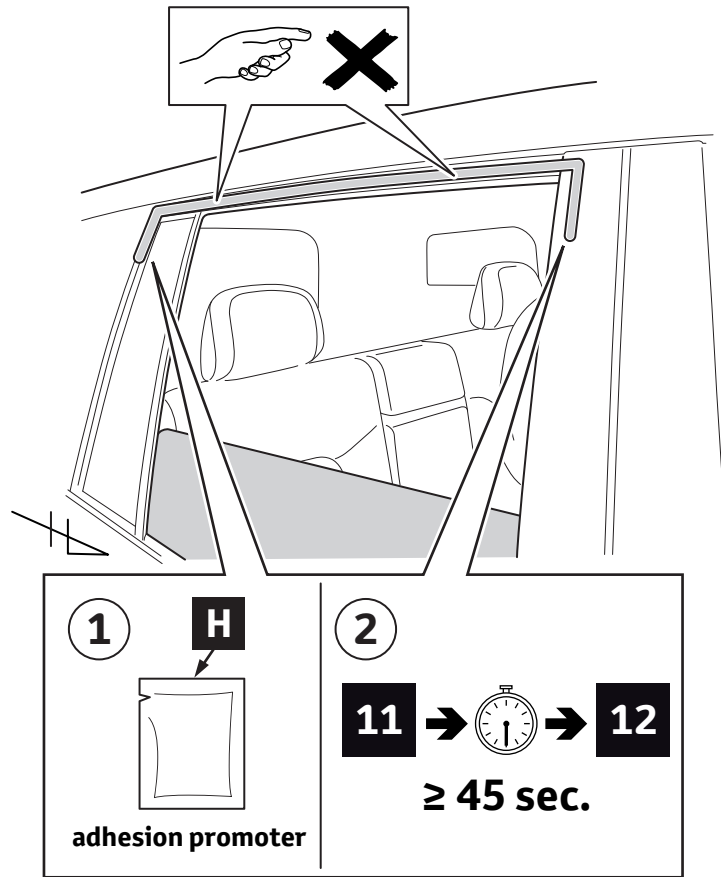


9

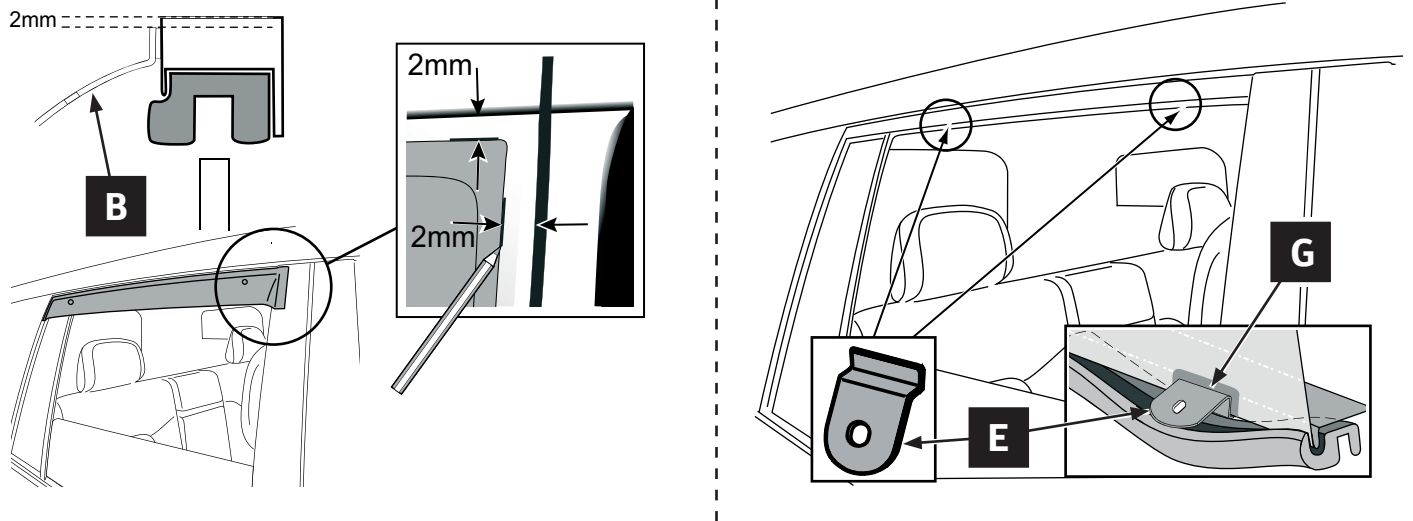


<p>1</p>	<p>< 20°C → 2</p> <p>> 20°C - 40°C → 11</p>	<p>2</p>
<p>3</p>	<p>> 20°C - 40°C → 11</p>	<p>INFO</p> <p>10 → 17</p>

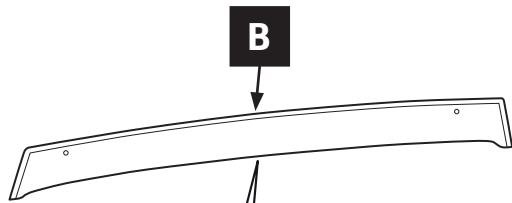
10



11

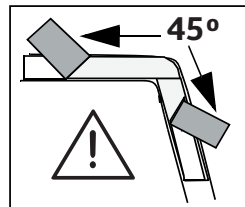
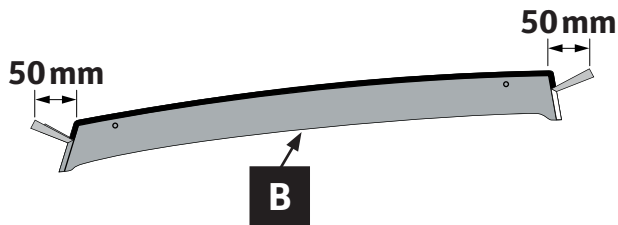


12

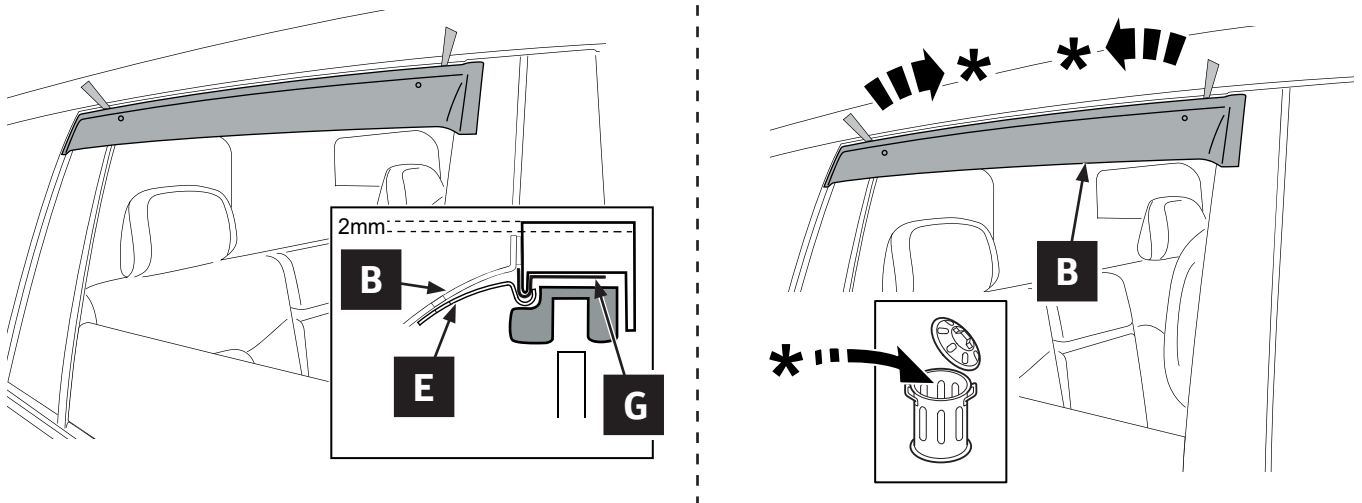


<p>1</p>	<p>< 20°C → 2</p> <p>> 20°C - 40°C → 14</p>	<p>2</p>
<p>3</p>	<p>> 20°C - 40°C → 14</p>	<p>INFO</p>

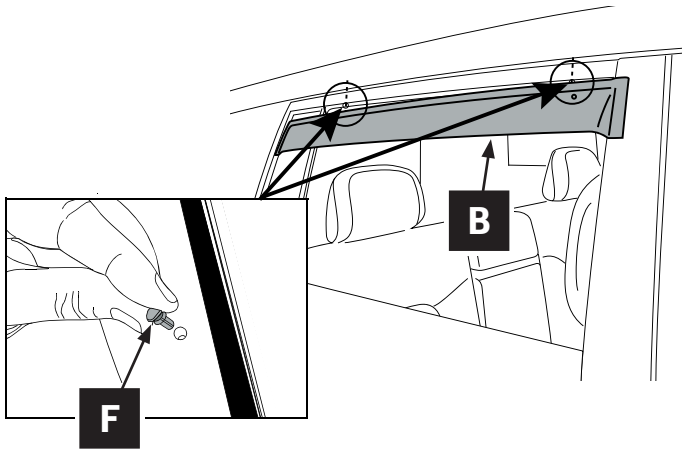
13



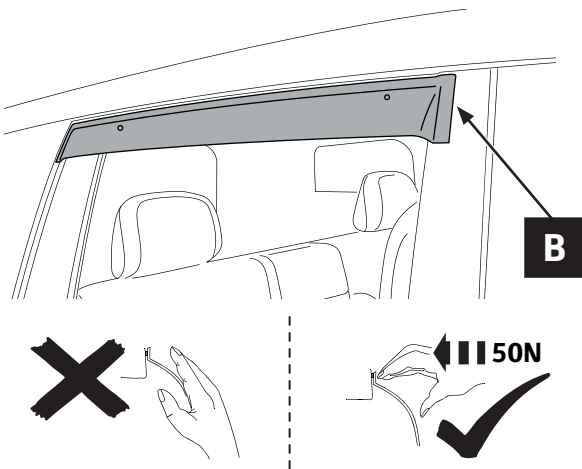
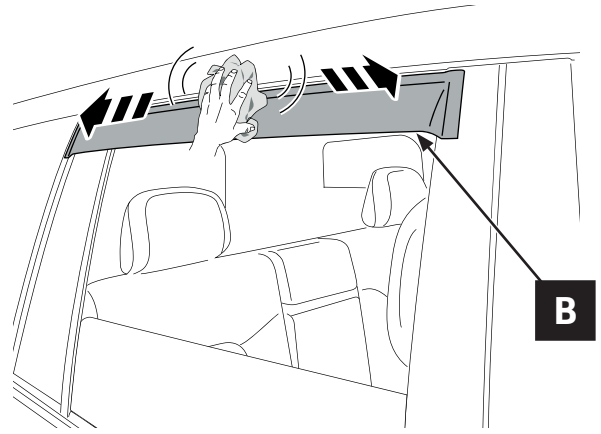
14



15



16



17

Fig.1→Fig.17

LHS
A B

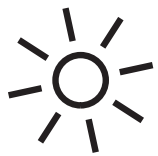
=

Fig.1→Fig.17

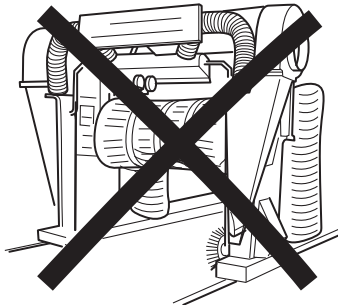
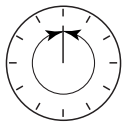
RHS
C D

18

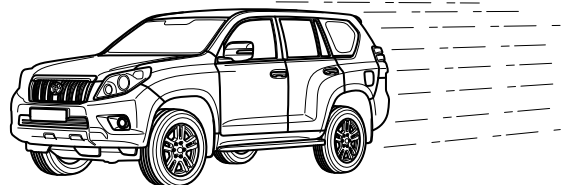
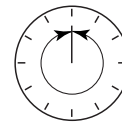
INFO



24 h



24 h



Max. 90 Km/h

CHECK SHEET



TOYOTA


Model / Land Cruiser

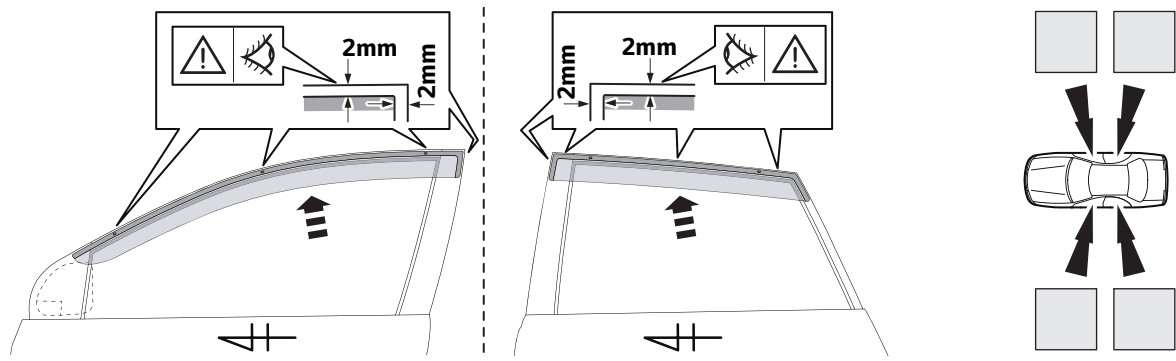
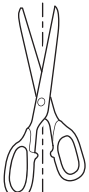
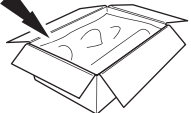
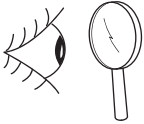
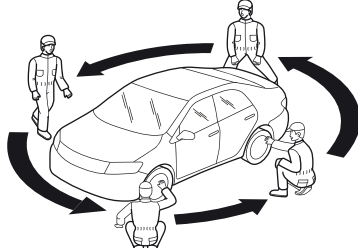
Wind deflectors

Year 2009/09, 2013/08, 2017/08

VIN n°

ALWAYS A
BETTER WAY

 **P/N = OK**


  **= OK**

Installation Date:
... / ... / ...

Technician Name & Signature:

Stamp: