



# Hilux

## Alloy Wheels

### Installation instructions

Model year: 08/2011

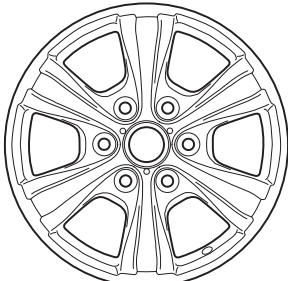
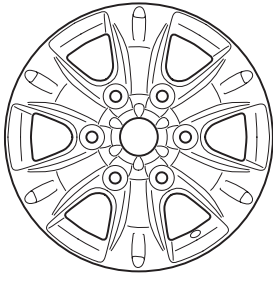
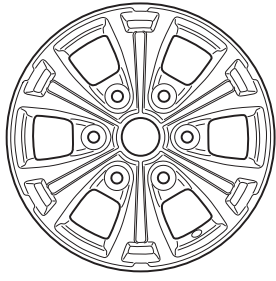




Vehicle code: 17" (with VSC): KUN26\*-\*R\*\*YW / KUN25\*-\*RMDHW /  
KUN\*5\*-\*RMSHW / KUN\*5\*-TRMSHW  
15" (w/o VSC): KUN26\*-\*R\*SYW / KUN\*5\*-\*RMDHW /  
KUN\*5\*-\*RMSHW

Part number: PZ040-0K037 PZ406-N0670-ZF PZ040-0K005

Manual reference number: AIM 002 254 - 2

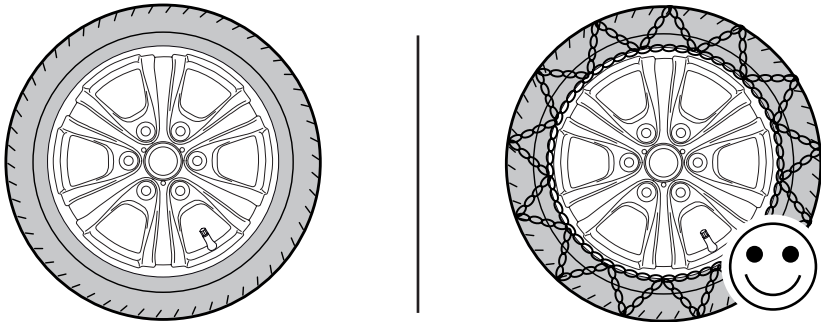
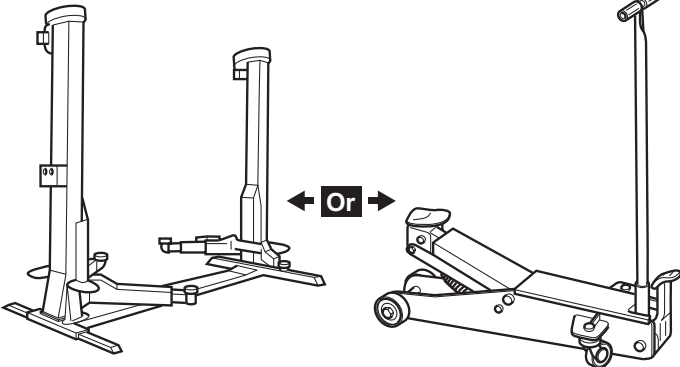
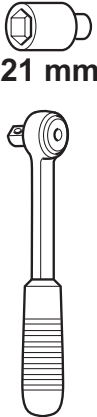


# Revision Record

Rev. No.	Date	Page	Picture	Update	New	Deleted
1	04-04-2012	all	all	X	X	
2	28-05-2012	3	A+B	X		

<b>A</b>		17"		15"		15"
	PZ040-0K037	1x	PZ040-0K005	1x	PZ406-N0670-ZF	1x
<b>B</b>						
	PZ040-0K063	1x	PZ040-0K051	1x	PZ406-98671-ZF	1x
<b>C</b>	 90942-01109					6x

**Tire application**

17": 265 / 65 R17  
15": 255 / 70 R15

CLEANER

