



TOYOTA

ALWAYS A
BETTER WAY

Avensis Sedan / Wagon

Side sills

Installation Instructions

Model year: 2008/11, 2015/05

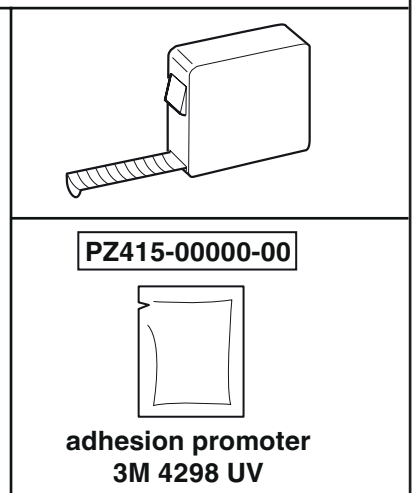
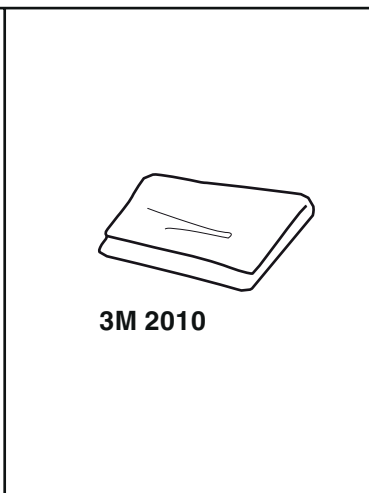
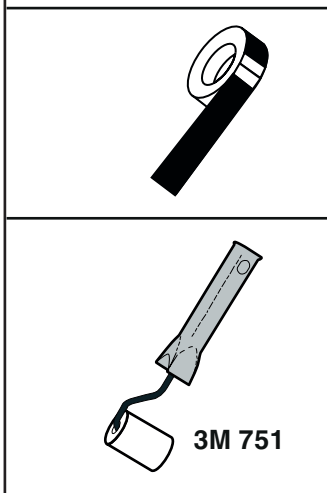
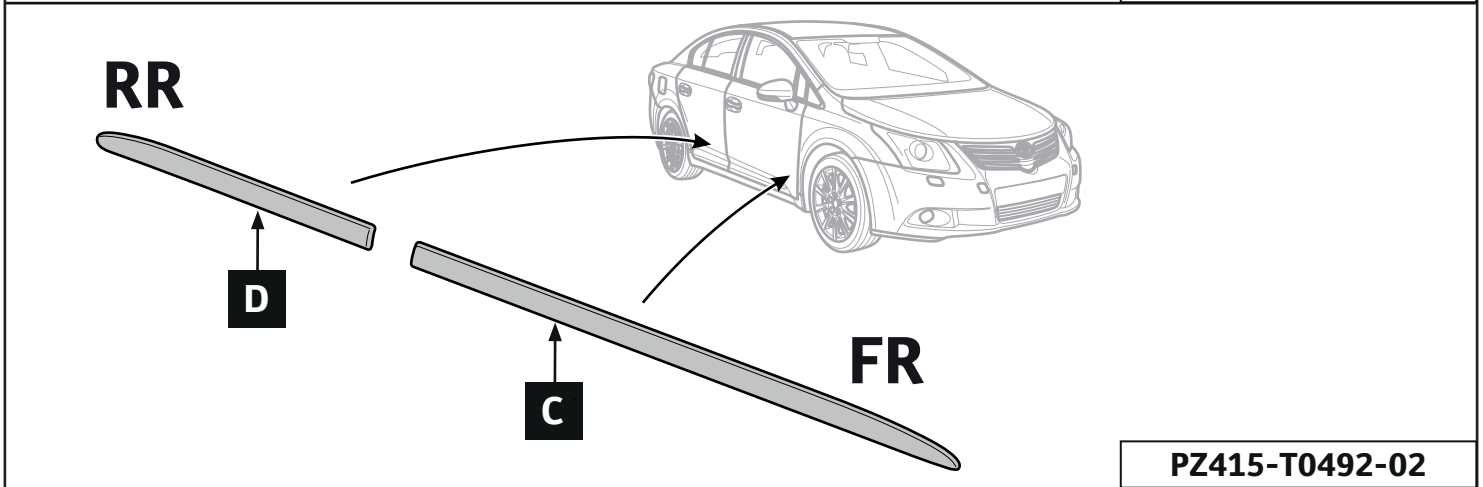
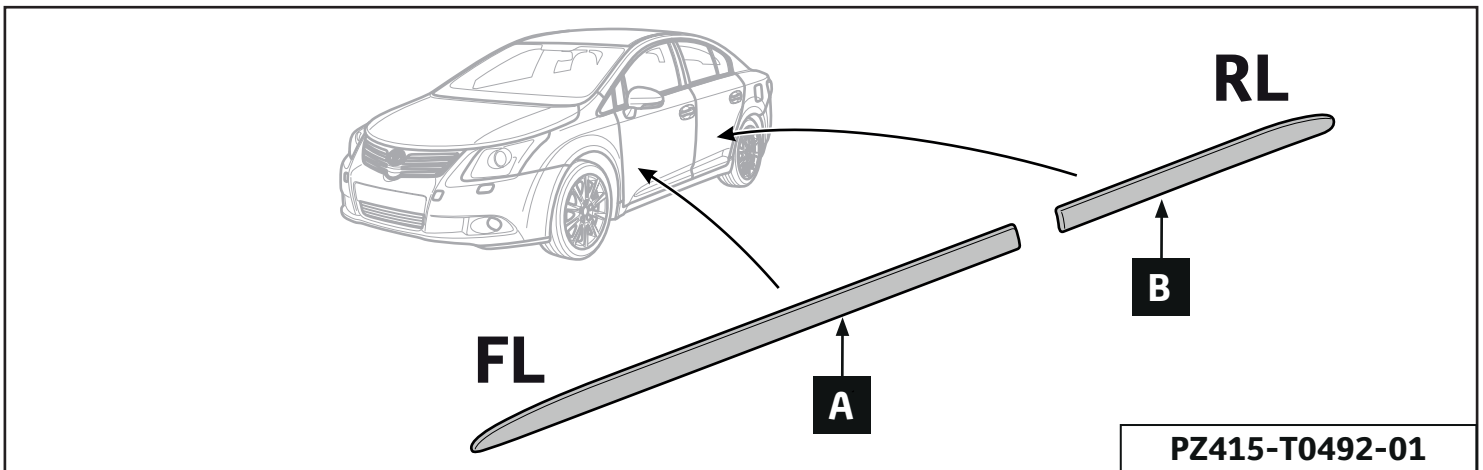
Vehicle code: **T27**-A****W

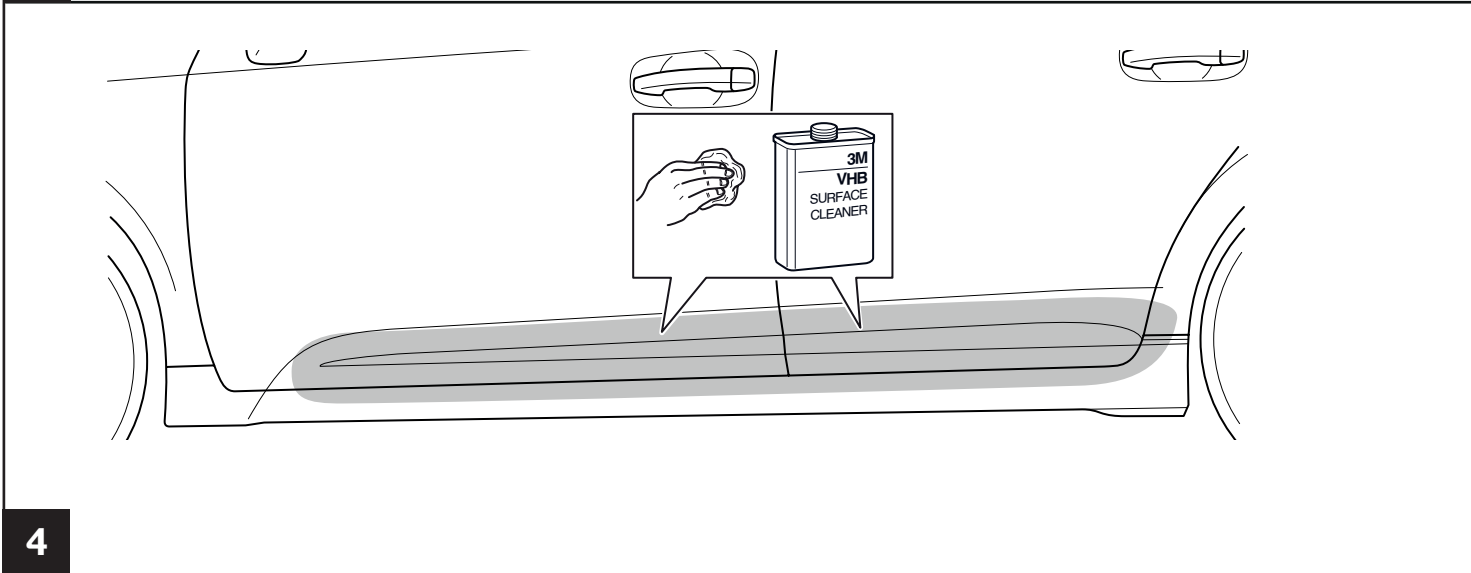
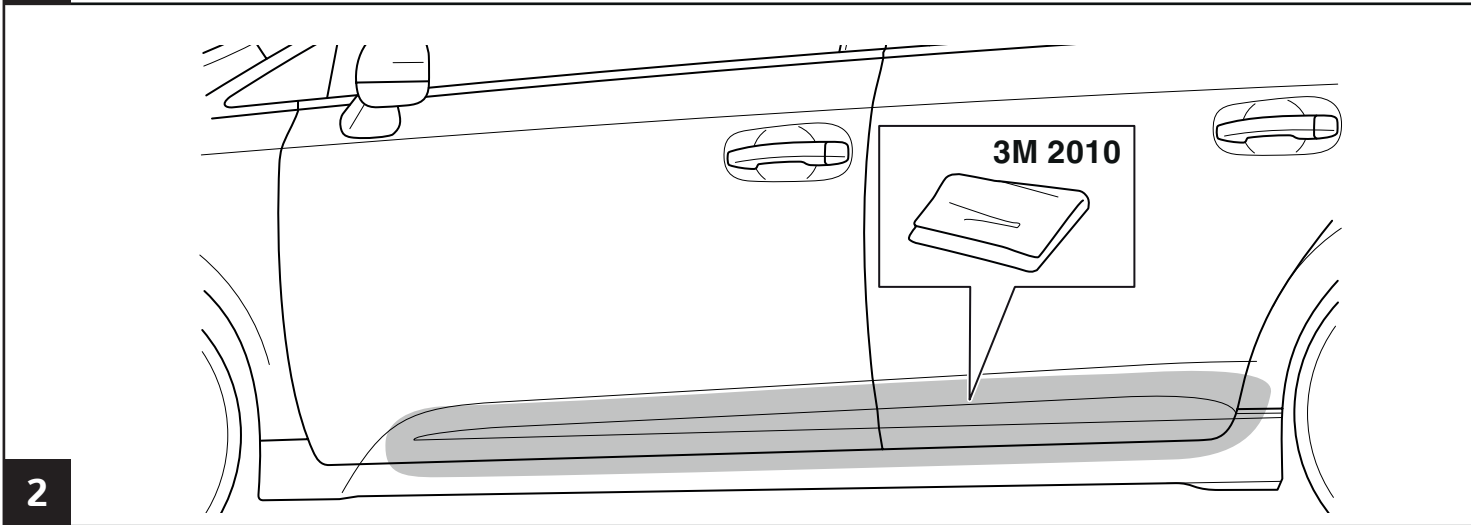
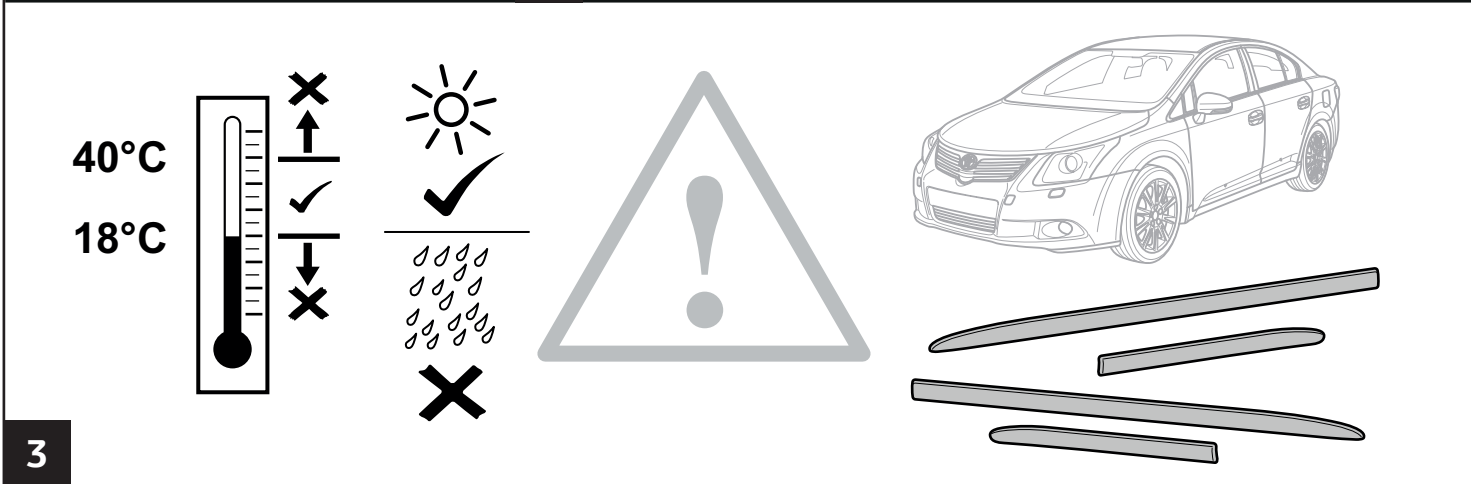
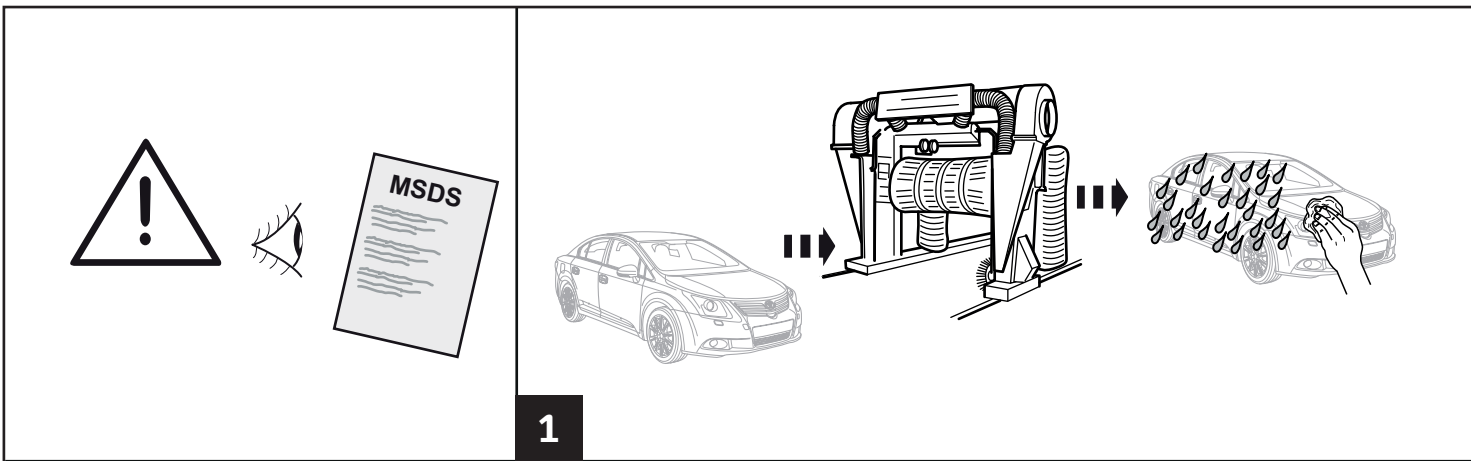
Part number: PZ415-T0492-ZB

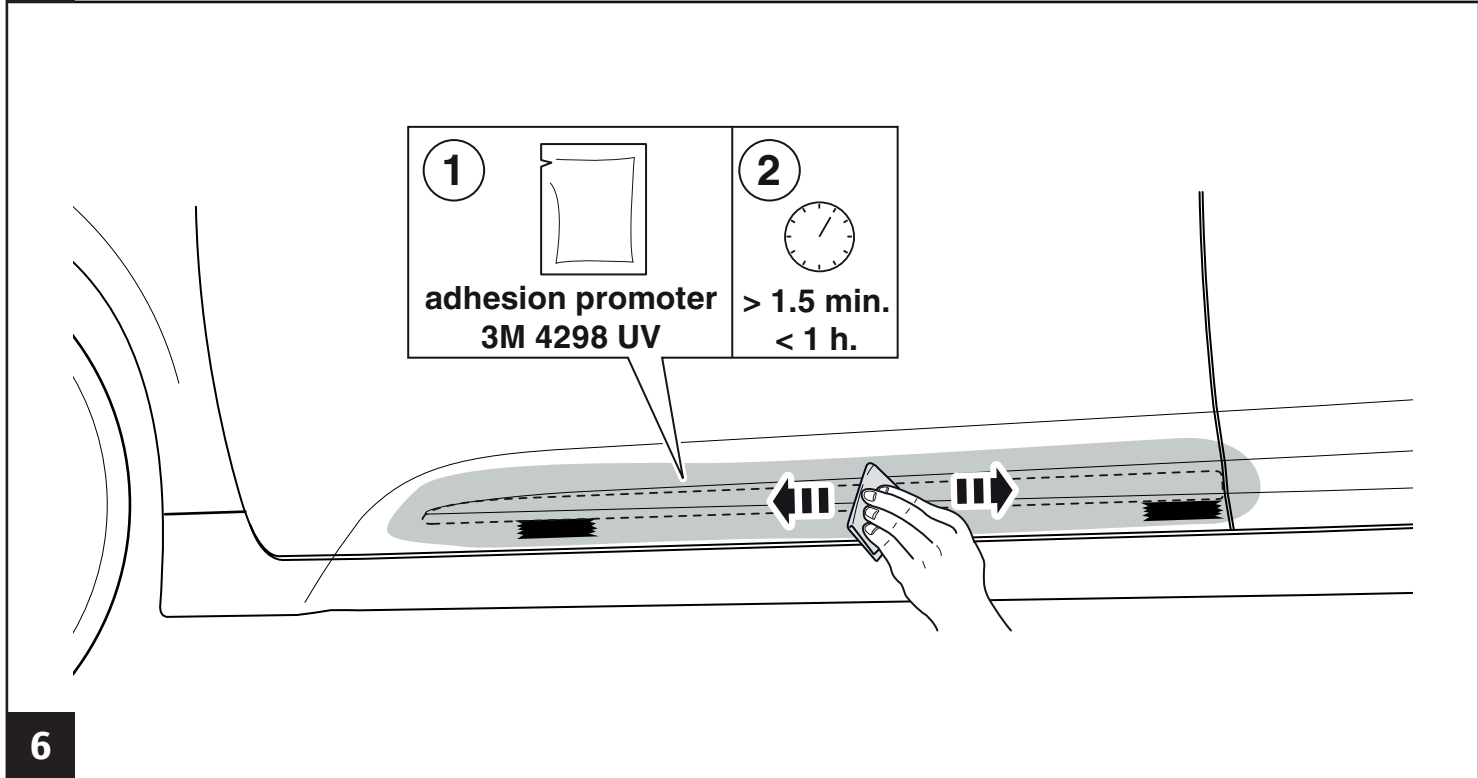
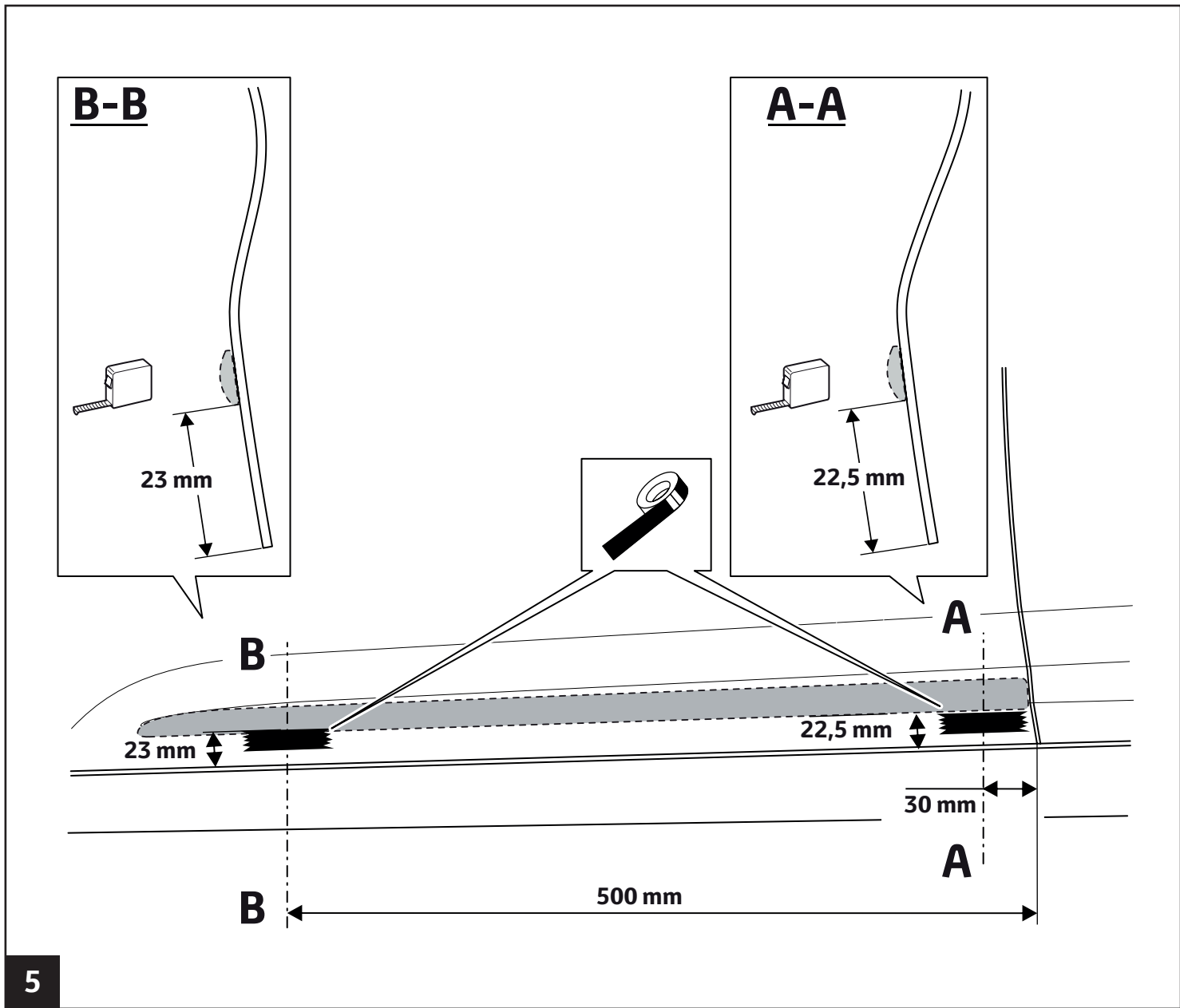
Manual reference number: AIM 001 374-3

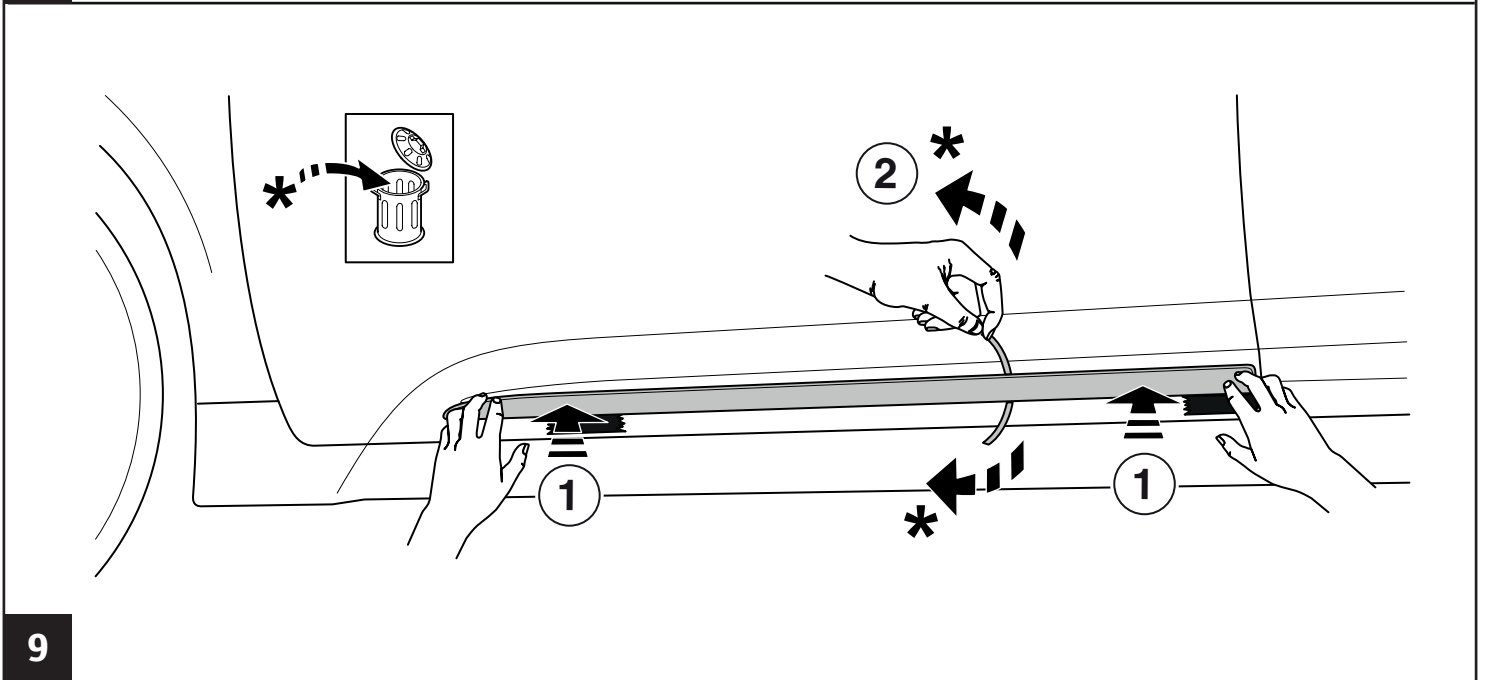
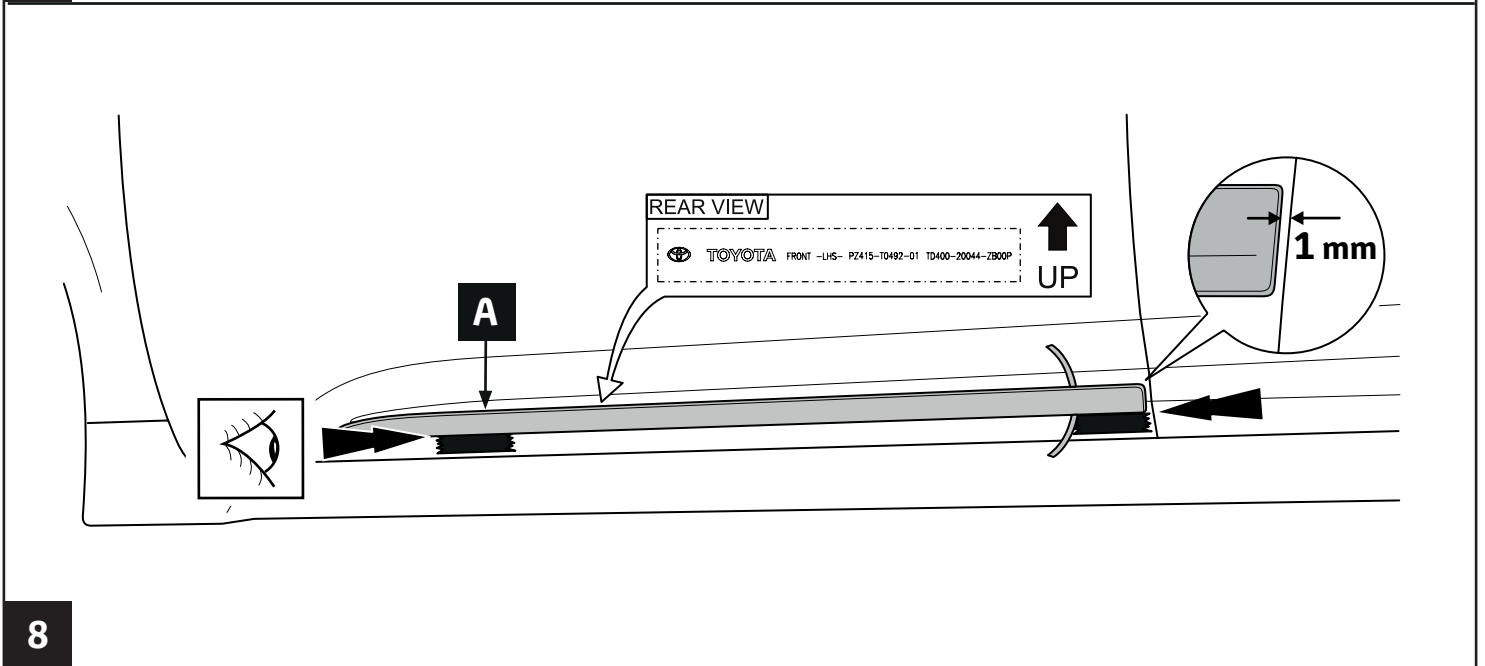
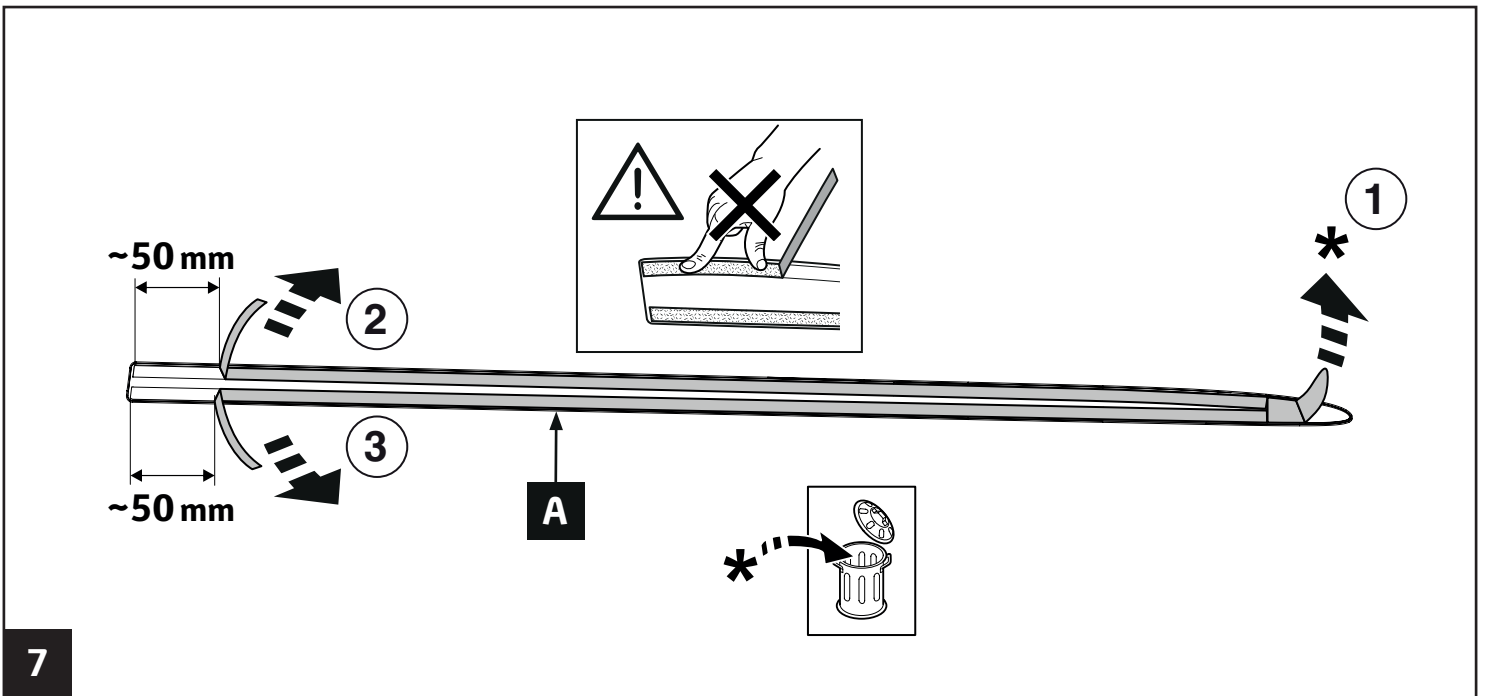
Revision record

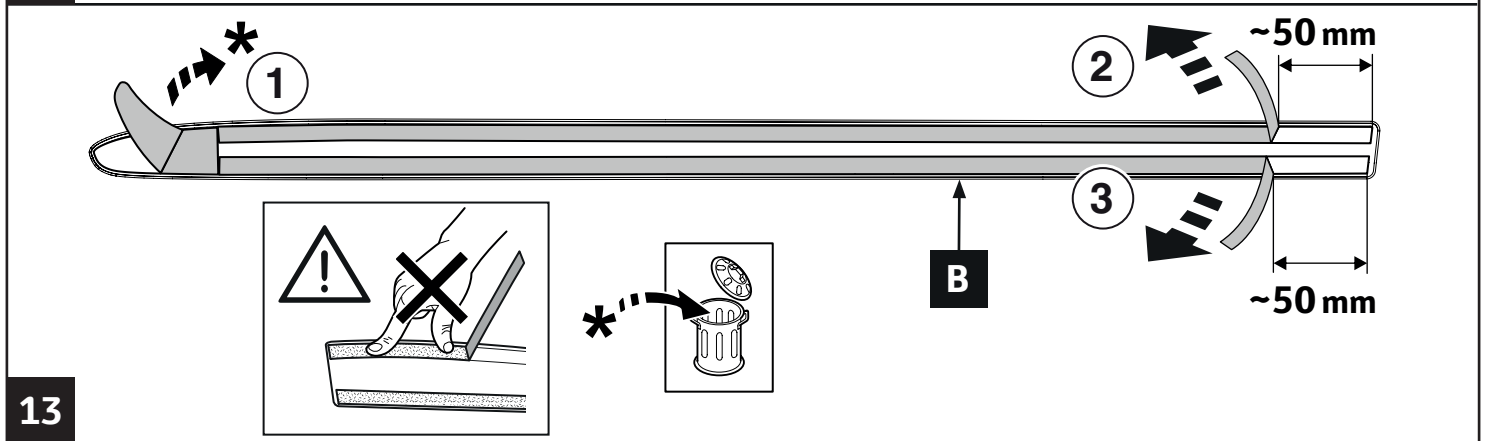
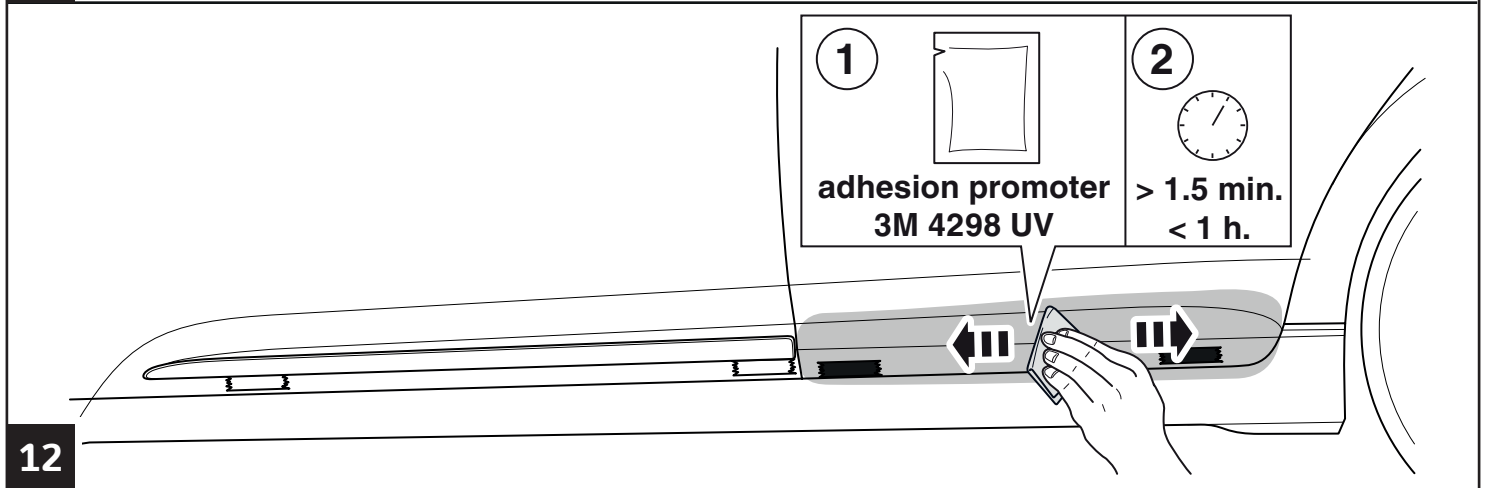
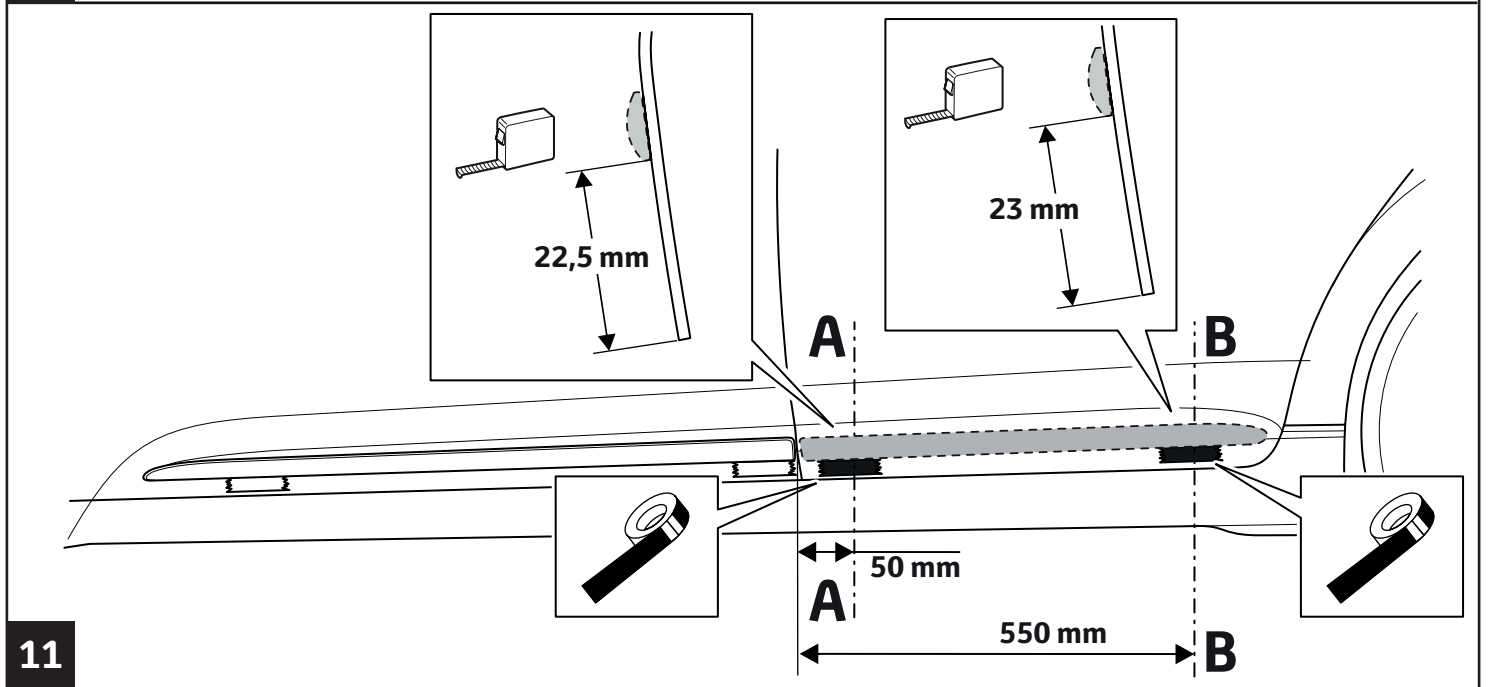
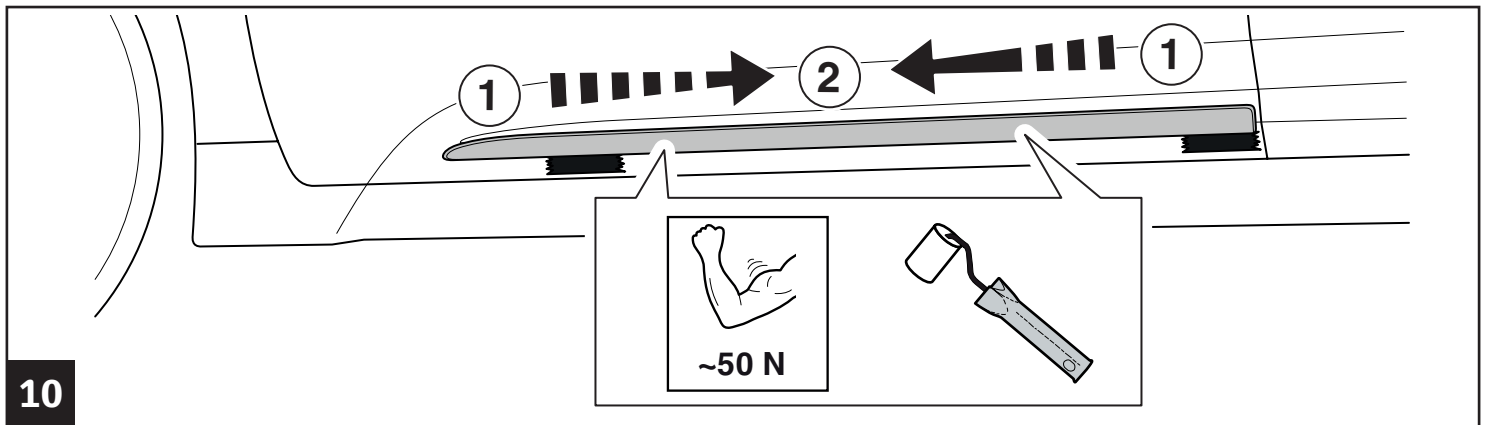
Rev. No.	Date	Page	Picture	Update	New	Deleted steps
1	19-11-08	3, 4	2	X		
2	17-04-09	3-7	4-9, 11-14	X		
3	20-11-14	all	all		X	

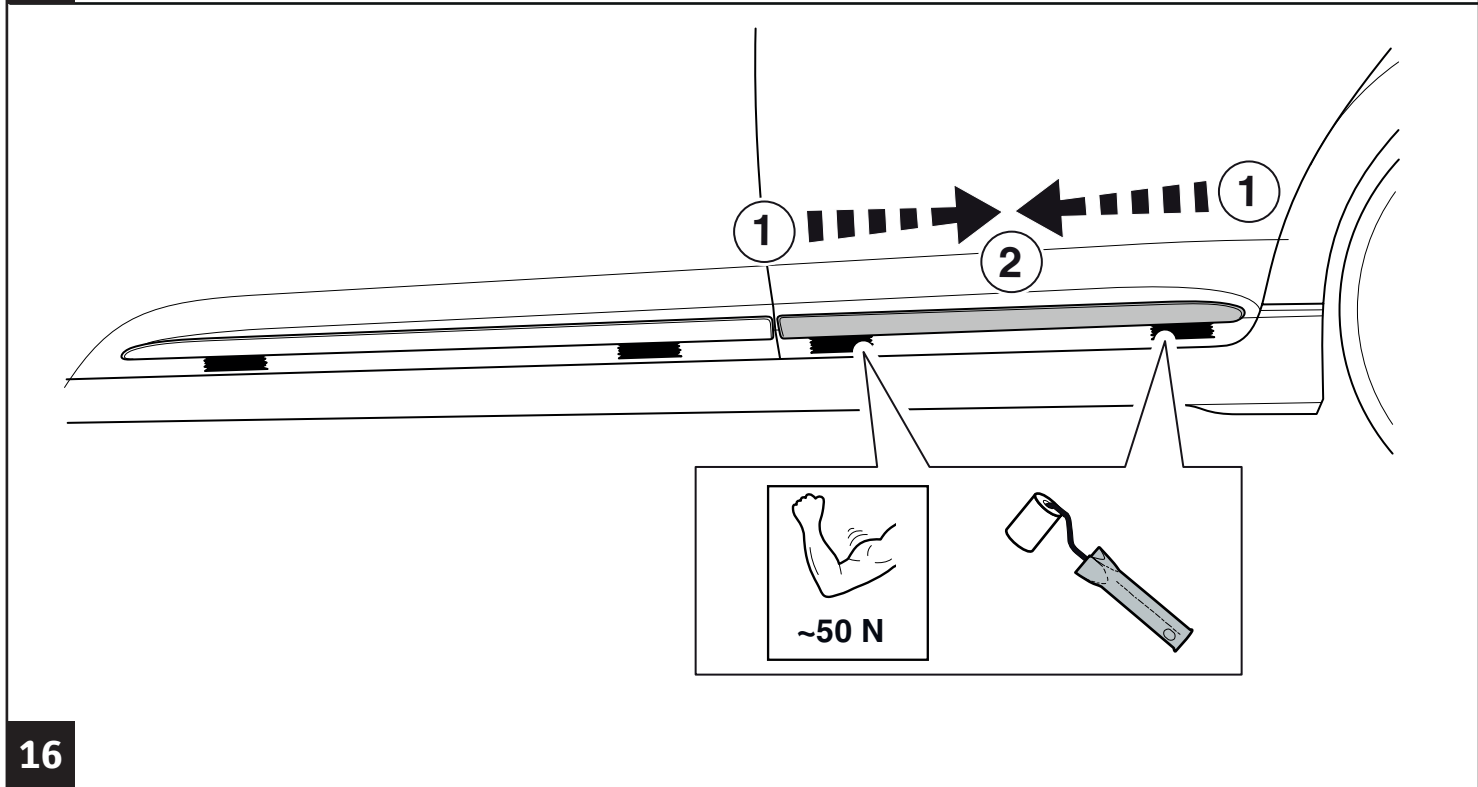
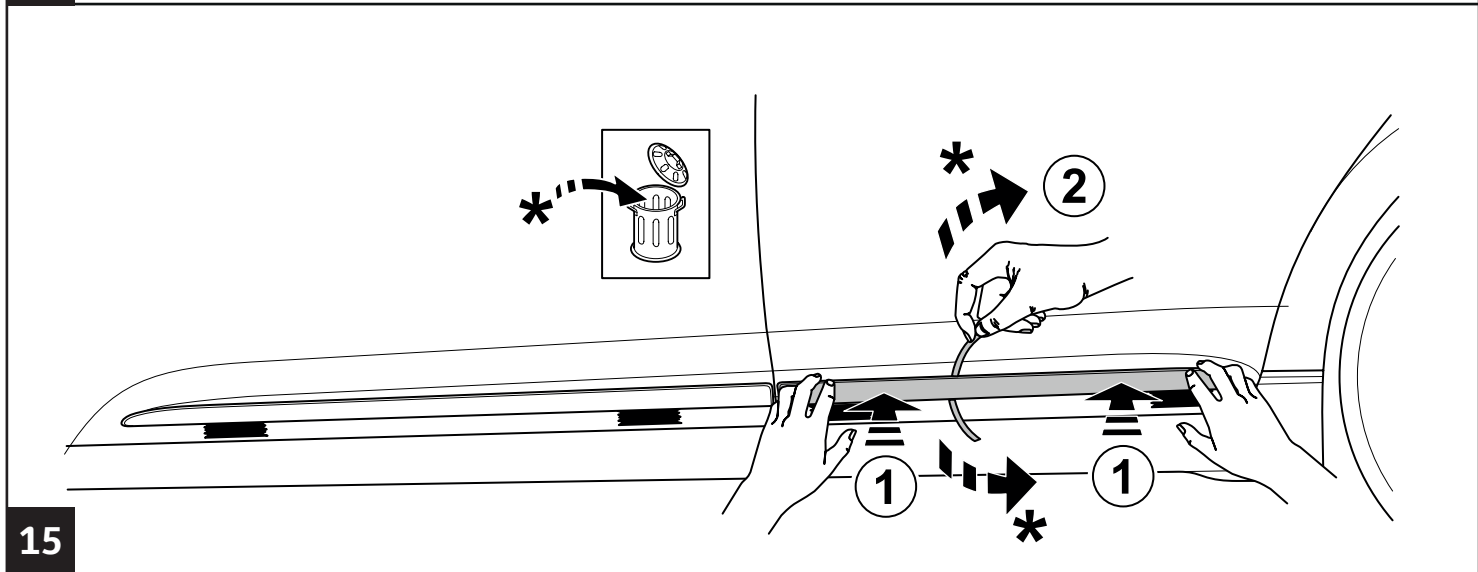
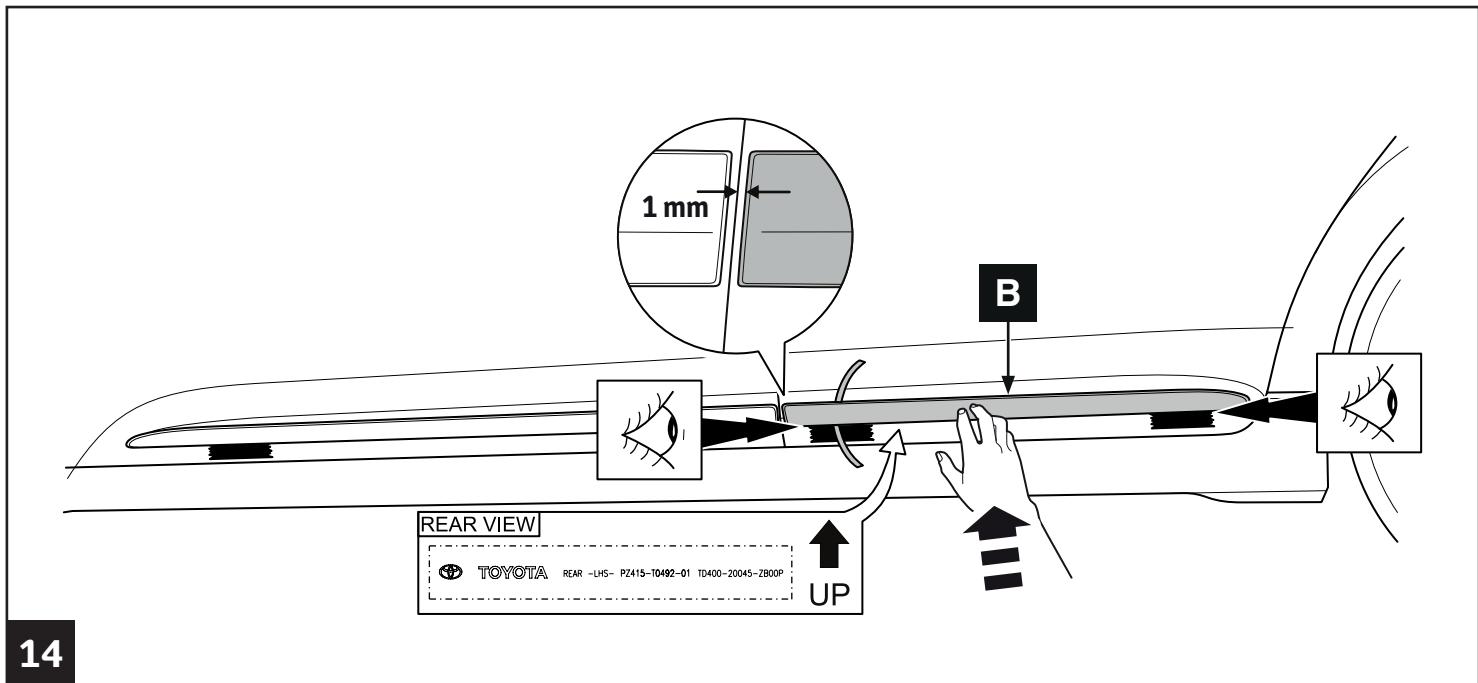


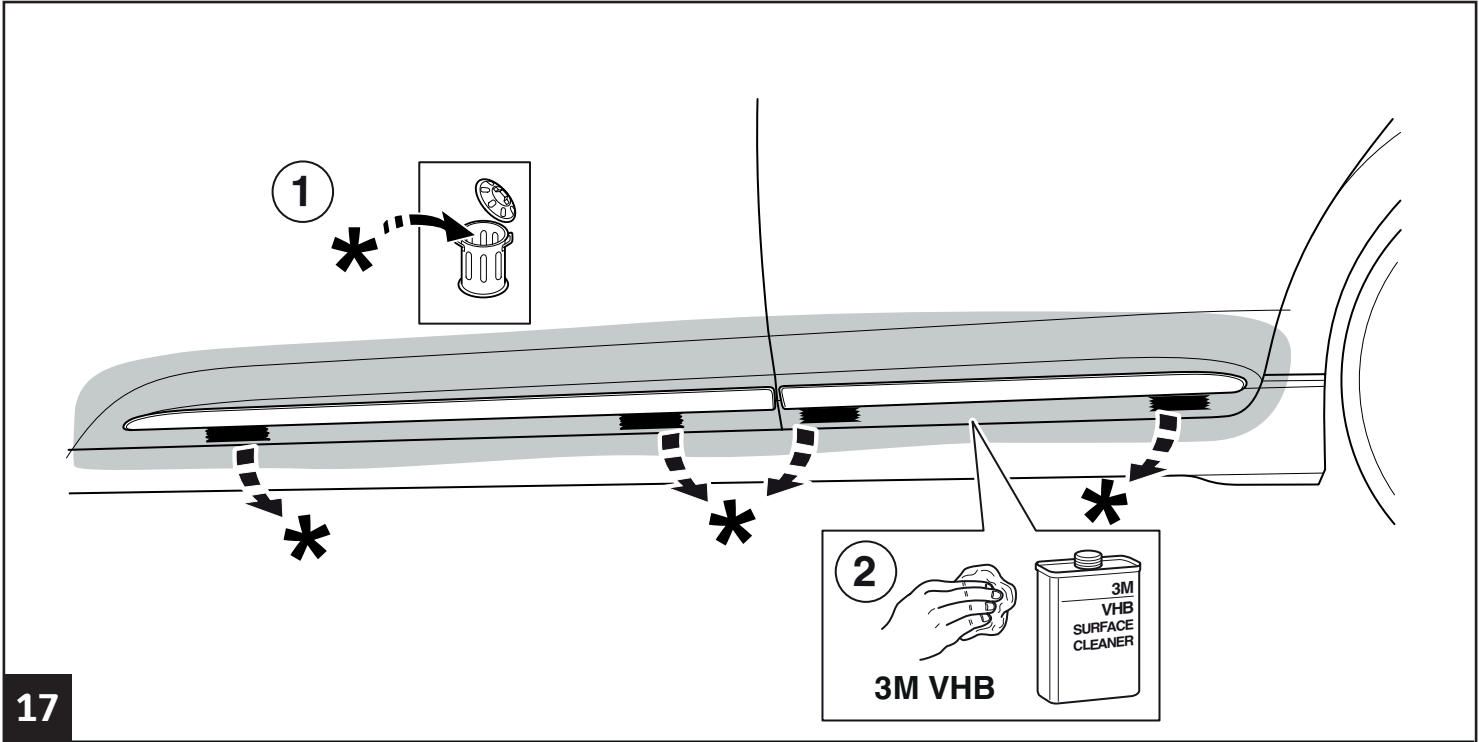




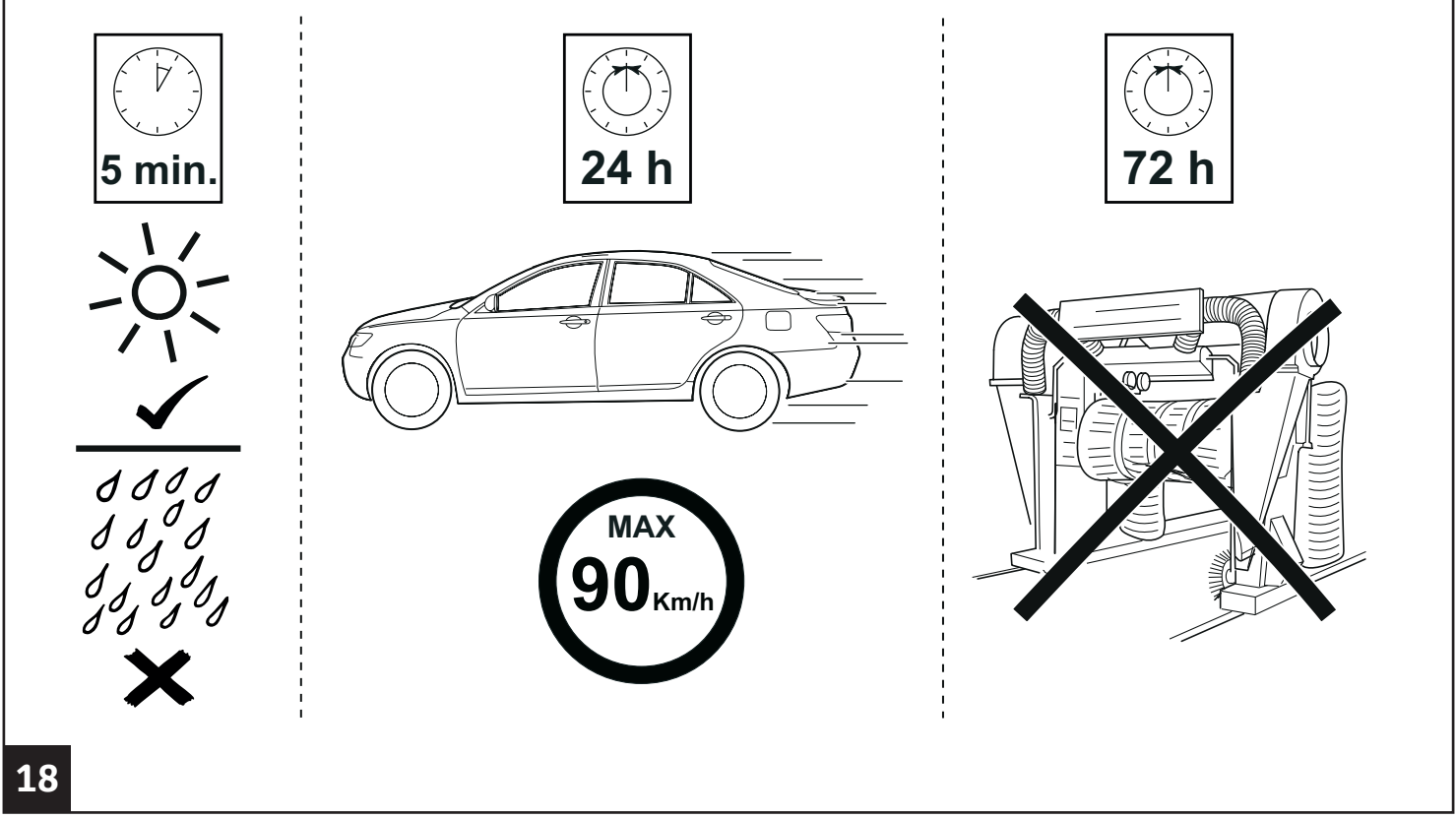
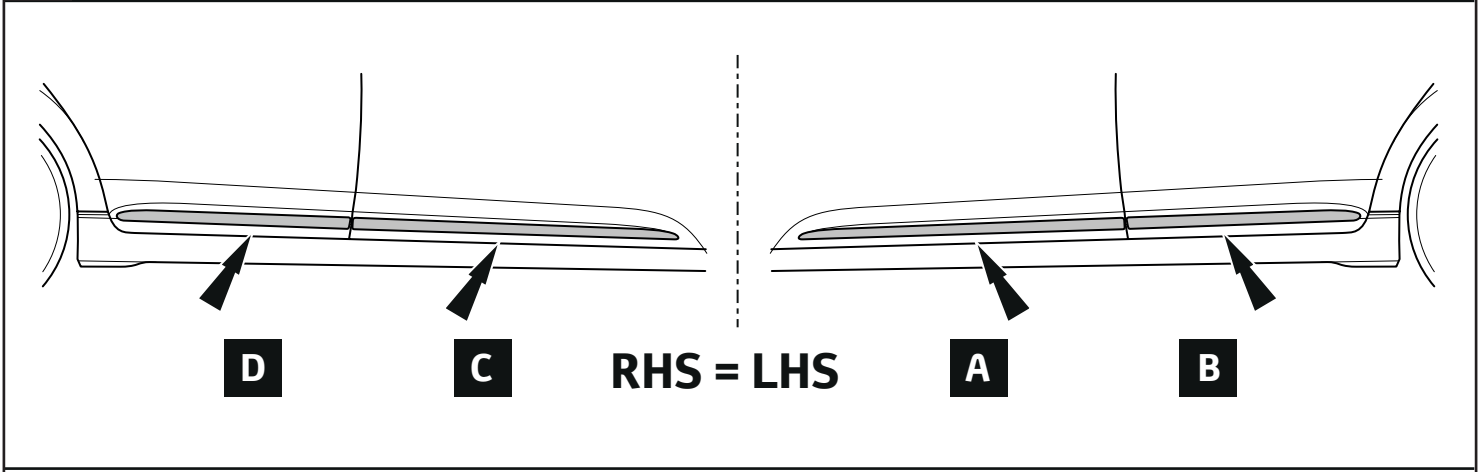








17



18

CHECK SHEET



TOYOTA

Model / Year Avensis Sedan / Wagon **Side sills**
2008/11, 2015/05

VIN n°

ALWAYS A
BETTER WAY

P/N = OK

LH = RH

LH = RH

= OK

Installation Date:
. . / . . /

Technician Name & Signature:

Stamp: