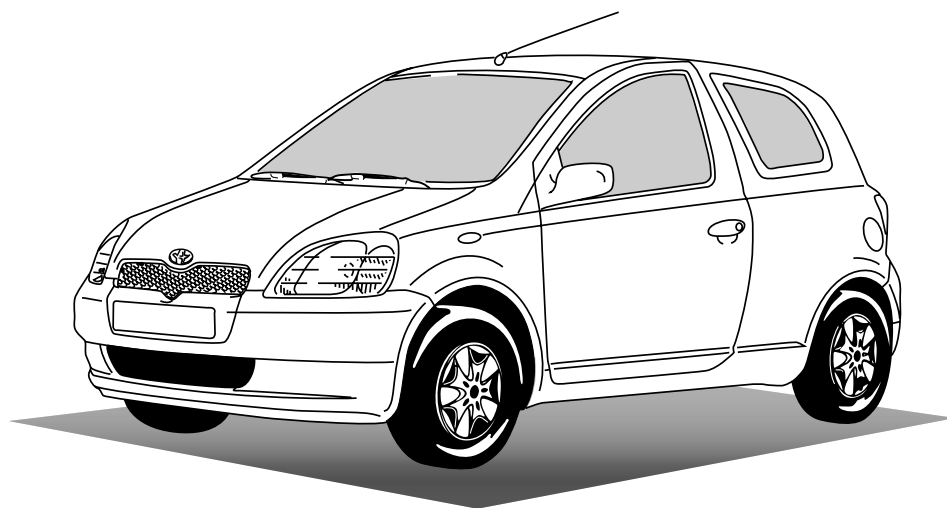




# Toyota Genuine Audio

**SEAT-MOUNTED CD-CHANGER INSTALLATION INSTRUCTIONS**

**FOR**



## **Yaris (RHD)**

**\*\*P1\*R**

**1. 6 CD CHANGER INSTALLATION** 

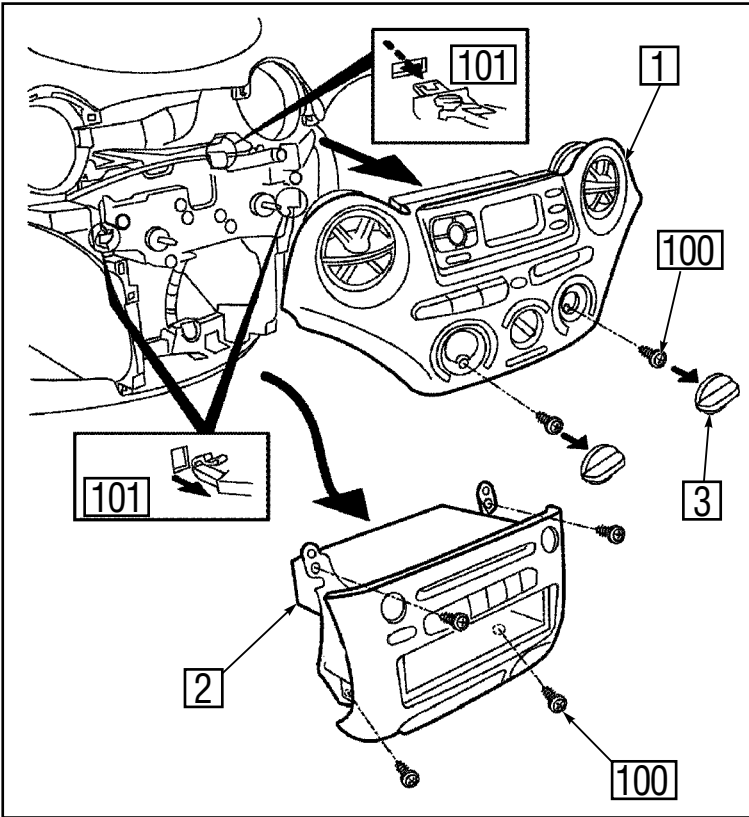


Fig. 1

1. Remove the centre cluster **1** and audio assembly **2**.  
**3**: Control knob (2x)  
**100**: Screw (2x) + (4x)  
**101**: Clip (3x)

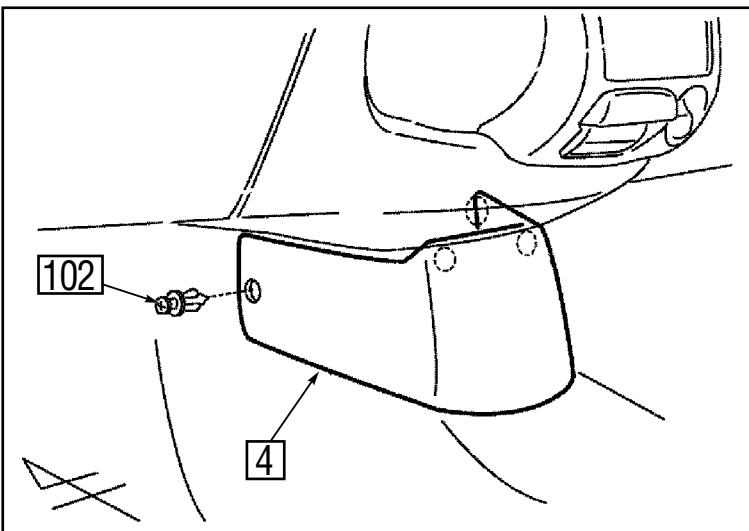



Fig. 2

2. Remove the front cover **4**.  
: Clip (3x)  
**102**: Clip (1x)

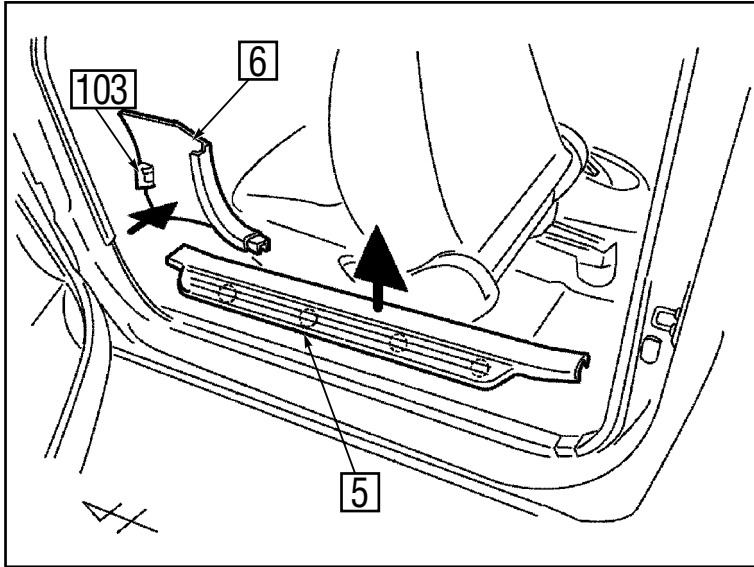


Fig. 3

3. Remove the front scuff plate ⑤ (L) and kick panel ⑥ (L).  
 ⑩③: Hook (1x)  
 ○: Clip (4x)

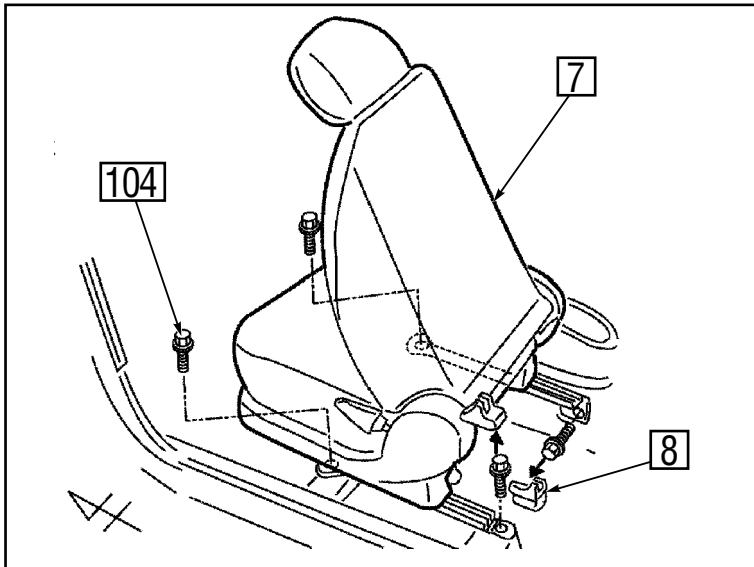


Fig. 4

4. Remove the passenger's seat ⑦.  
 ⑧: Cover (4x)  
 ⑩④: Bolt w/ washer (4x)

**CAUTION:**  
 Fasten the bolt with specified torque when reassembling.

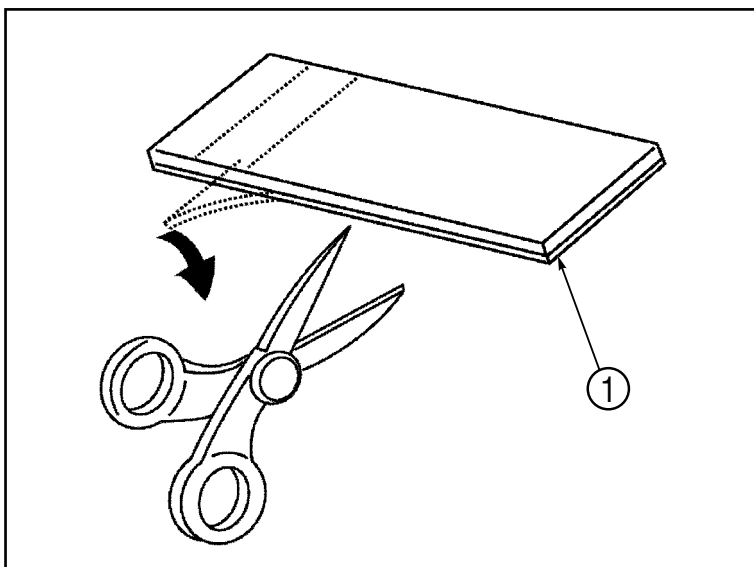
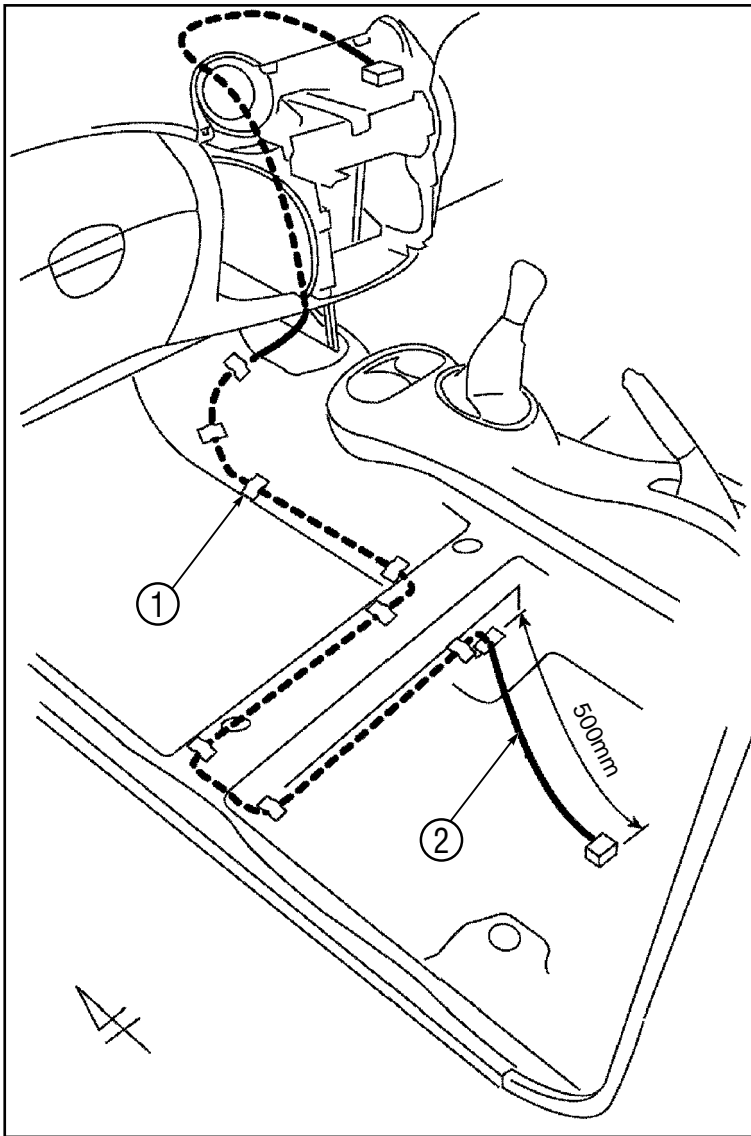


Fig. 5

5. Cut the tape ① into 10 pieces.



6. Route and attach the changer wire ② using tape ① (8x).

Fig. 6

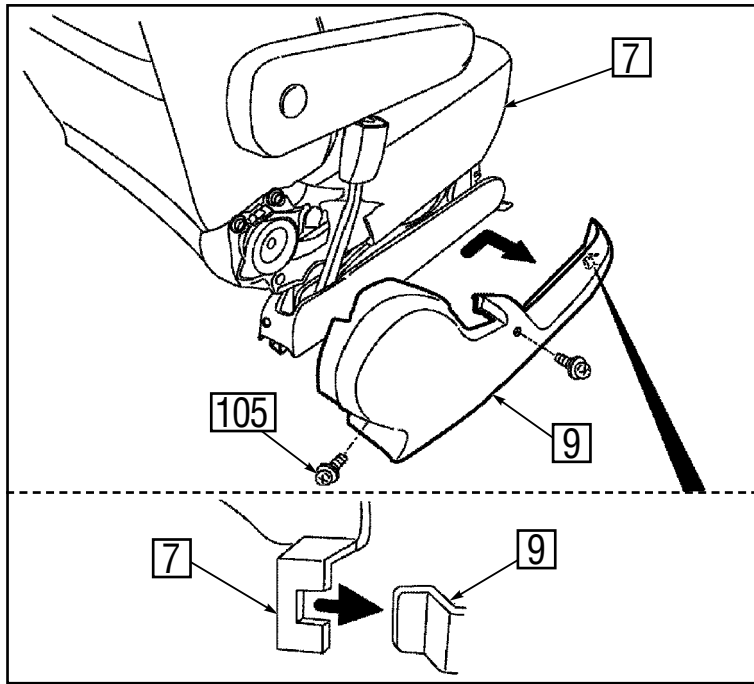


Fig. 7

7. Remove the side cover (R) 9 of the passenger's seat 7.  
105: Screw (2x)

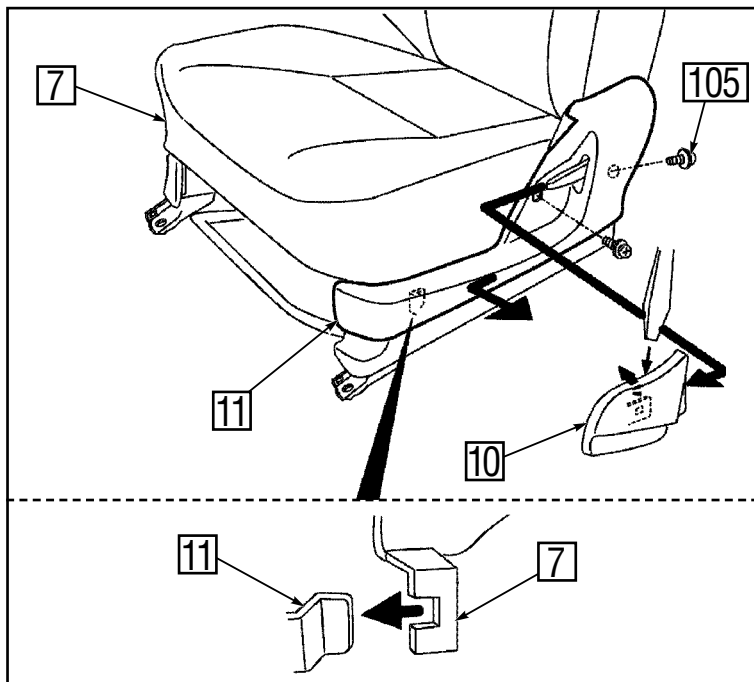


Fig. 8

8. Remove the knob 10 and side cover (L) 11 of the passenger's seat 7.  
105: Screw (2x)

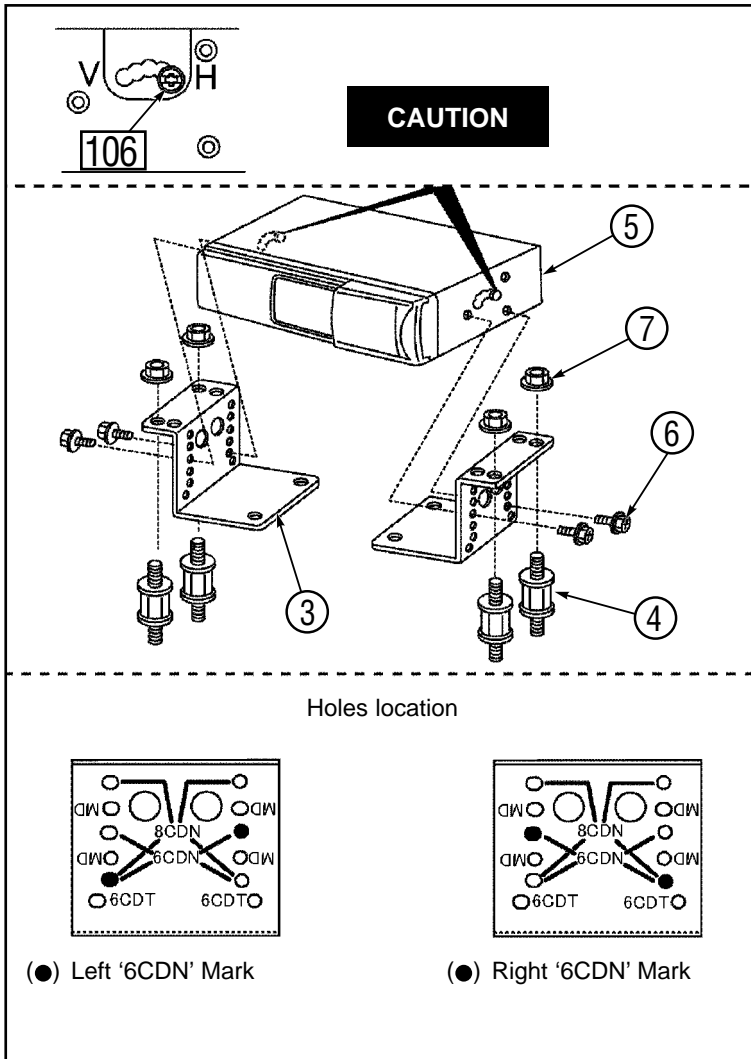
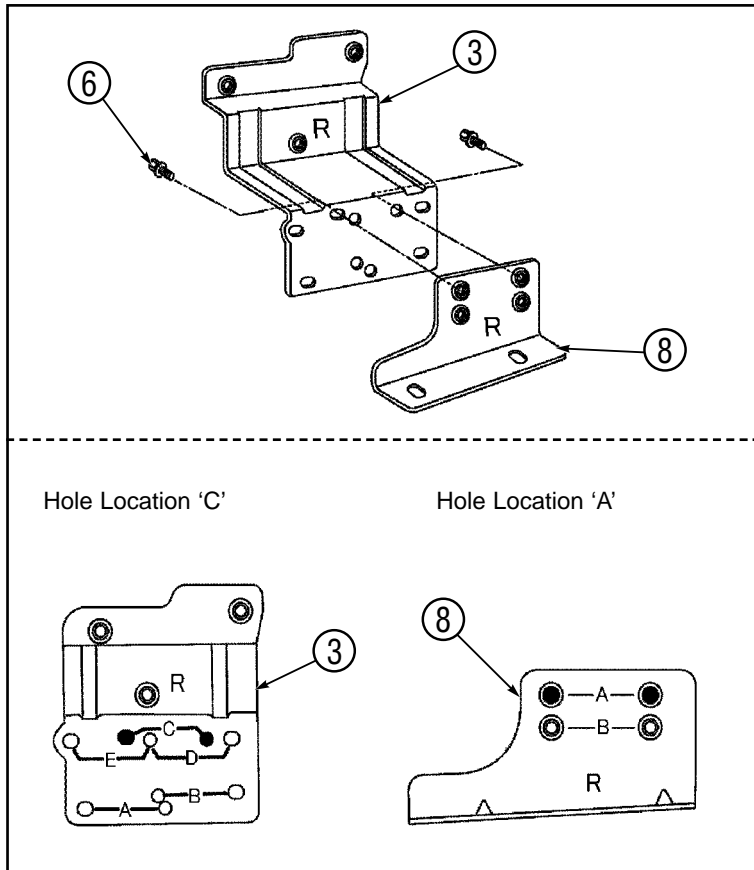
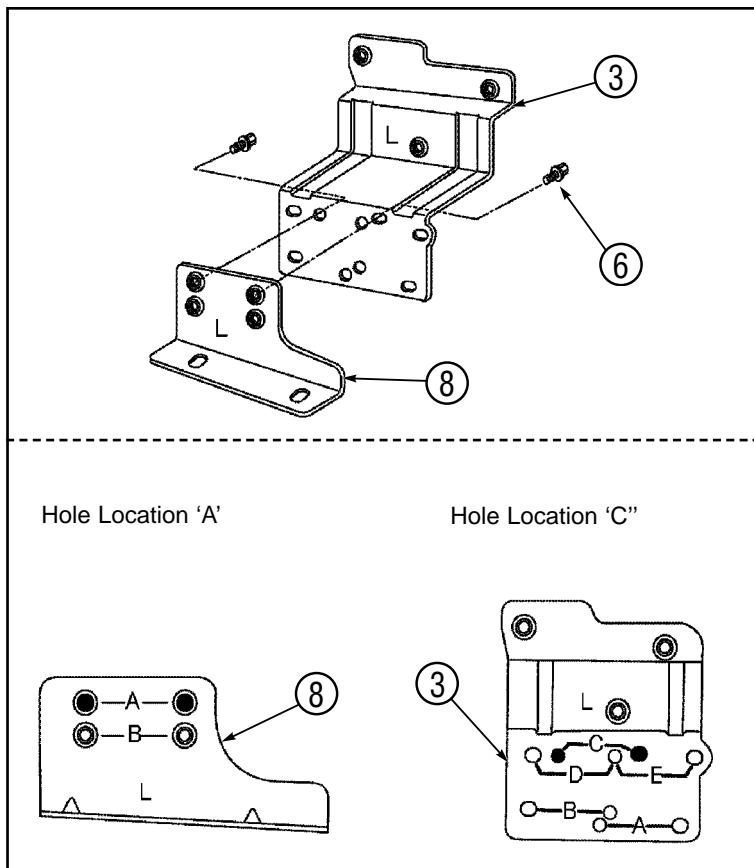


Fig. 9



10. Fit the sub bracket ⑧ (R) to the side bracket ③ (R).  
 ⑥: Bolt (M5x9) (2x)

Fig. 10



11. Fit the sub bracket ⑧ (L) to the side bracket ③ (L).  
 ⑥: Bolt (M5x9) (2x)

Fig. 11

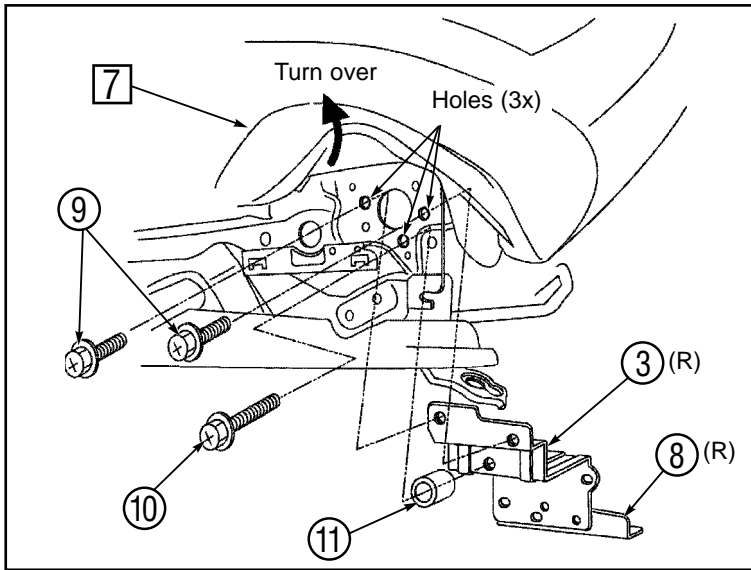


Fig. 12

12. Fit the sub bracket ⑧ (R), side bracket ③ (R) and spacer ⑪ onto the passenger's seat ⑦ right hand.  
 ⑨: Bolt (M6x12) (2x)  
 ⑩: Bolt (M6x25) (1x)  
 Replace the side cover (R) ⑨ onto the passenger's seat ⑦ right hand.

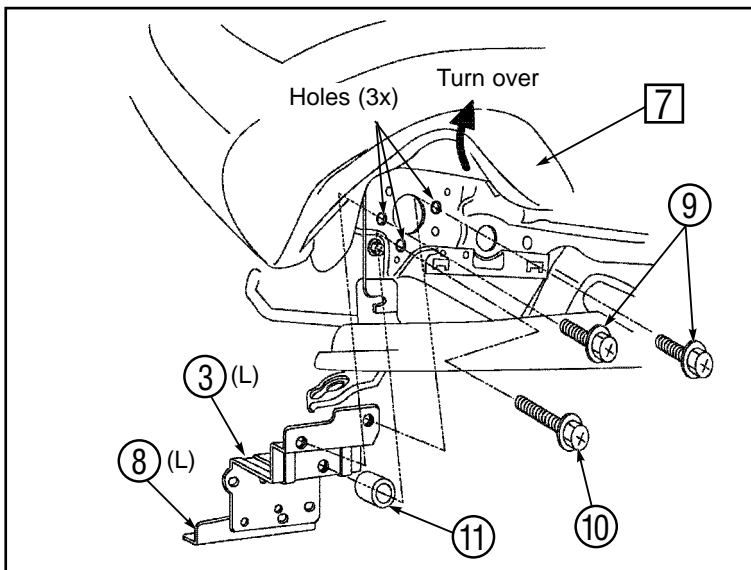


Fig. 13

13. Fit the sub bracket ⑧ (L), side bracket ③ (L) and spacer ⑪ onto the passenger's seat ⑦ left hand.  
 ⑨: Bolt (M6x12) (2x)  
 ⑩: Bolt (M6x25) (1x)  
 Replace the side cover (L) ⑪ and knob ⑫ (L) onto the passenger's seat ⑦ left hand.



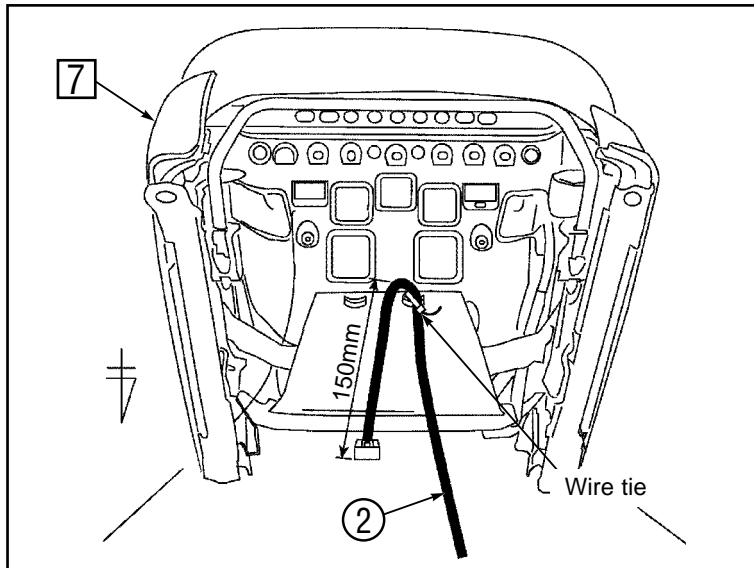


Fig. 14

14. Route the changer wire ②.

**CAUTION:**  
 Check that the wire ② is not stressed when the seat ⑦ is moved to the most front or the most rear position.

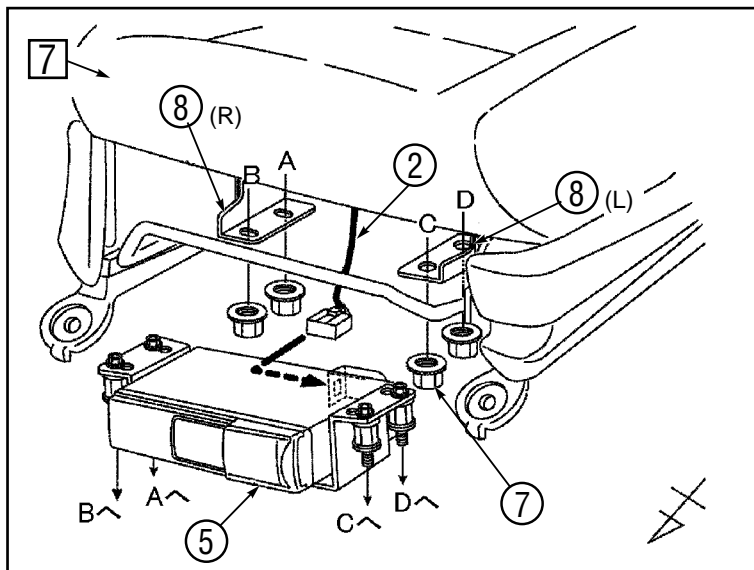
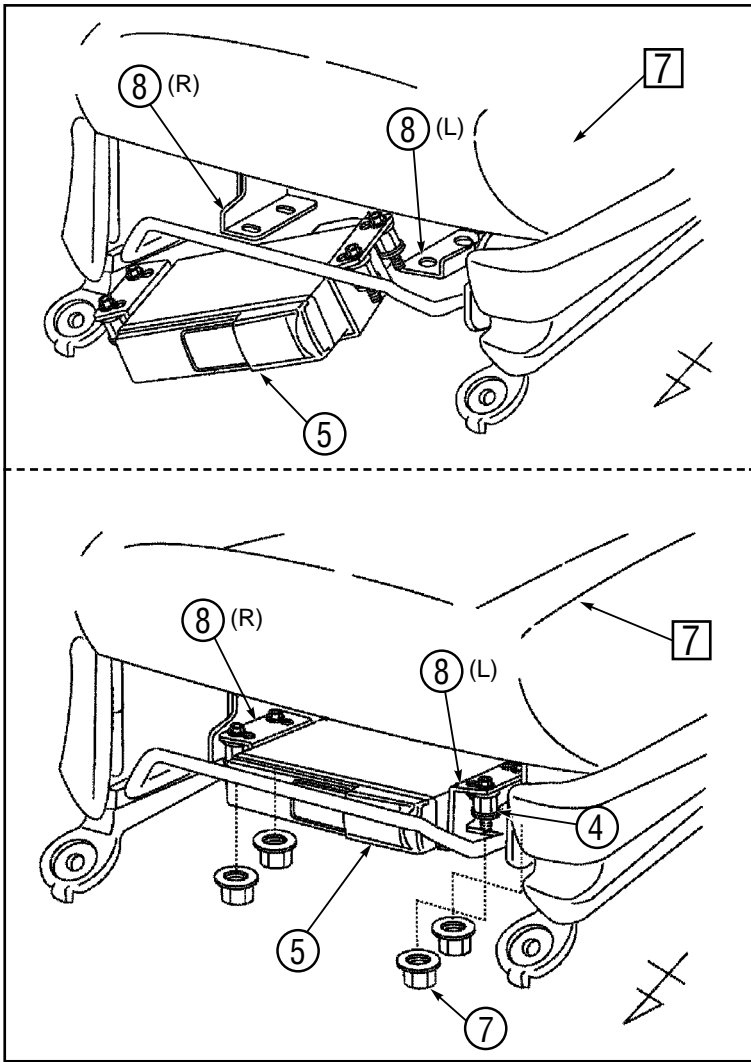


Fig. 15

15. Connect the changer wire ② to the CD-changer ⑤.



16. Fit the CD-changer ⑤ to the sub brackets ⑧ (L) + (R), under the passenger's seat ⑦ using nuts ⑦.  
⑦: Nut (M6) (4x)

Fig. 16

NOTIZEN  
NOTES  
NOTES



Area with horizontal dotted lines for notes.

**TOYOTA**  
**GENUINE PARTS**