



TOYOTA

Auris

Lowering springs


Installation instructions




Model year: 10/2006

Vehicle code: ZZE150*-*G/H**KW / ADE157*-*G/H**XW / NDE150*-*G/H**YW /
ZRE15**-*G/H**KW / ADE150*-*G/H**YW

Part number: PZ439-E9721-00 / PZ439-E9720-00 / PZ439-E9723-00 /
PZ439-E9722-00

 Weight: 10.5 kg

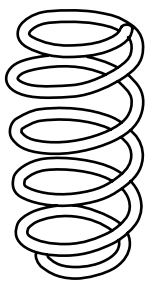
 Installation time: 3.0 hours

Manual reference number: AIM 000 728-2

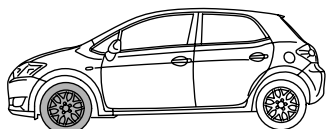
Revision Record

Rev.No	Date	Page	Picture	Update	New	Deleted Steps
1	13.03.07	18	59	X		
1	13.03.07	18	60		X	
1	13.03.07	23	72		X	
1	13.03.07	24	73	X		
2	18.04.07	11	32	X		
2	18.04.07	11	33	X		
2	18.04.07	16	52	X		
2	18.04.07	16	53	X		

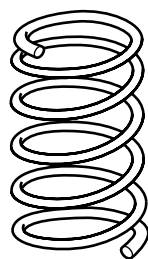
1



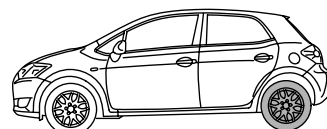
2x



2



2x



PZ439-E9720-01 (2AD/1AD Diesel)
PZ439-E9721-01 (4ZZ Petrol)
PZ439-E9723-01 (1ND/1ZR/2ZR)

01



35

PZ439-E9721-02 (4ZZ Petrol)
PZ439-E9721-02 (1AD Diesel)
PZ439-E9721-02 (1ND/1ZR/2ZR)

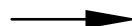
36



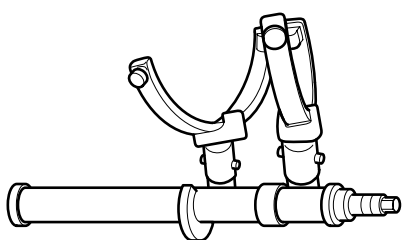
51

PZ439-E9720-02 (2AD Diesel)

52

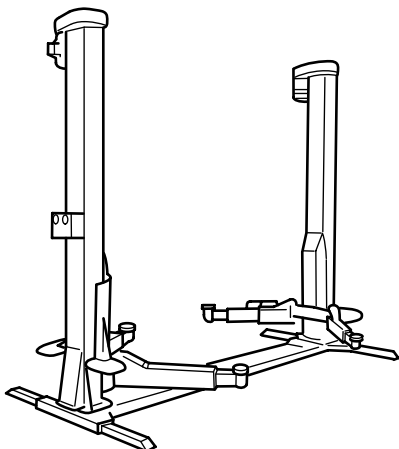
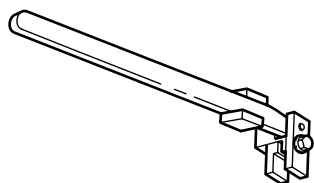


68



SST: 09729 - 30021

SST: 09729 - 22031



10mm



14mm



17mm



19mm



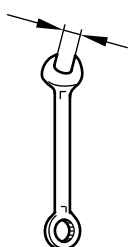
21mm



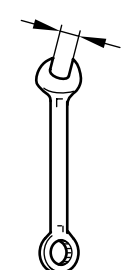
22mm



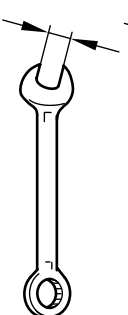
10mm



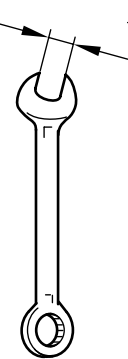
14mm



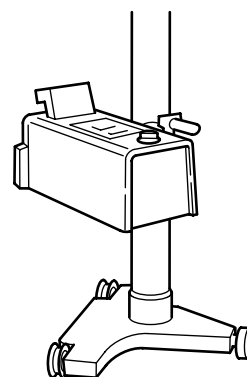
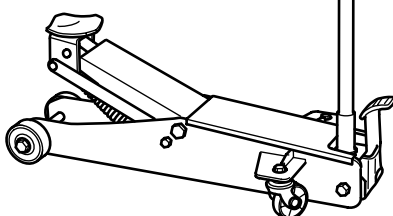
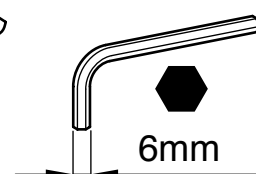
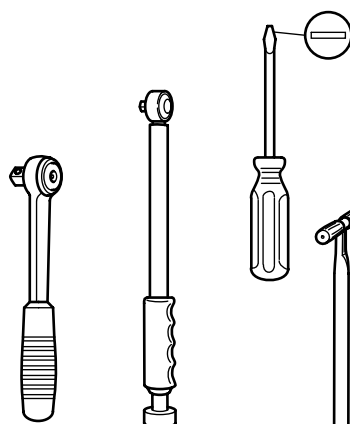
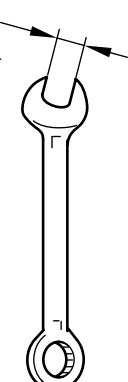
17mm

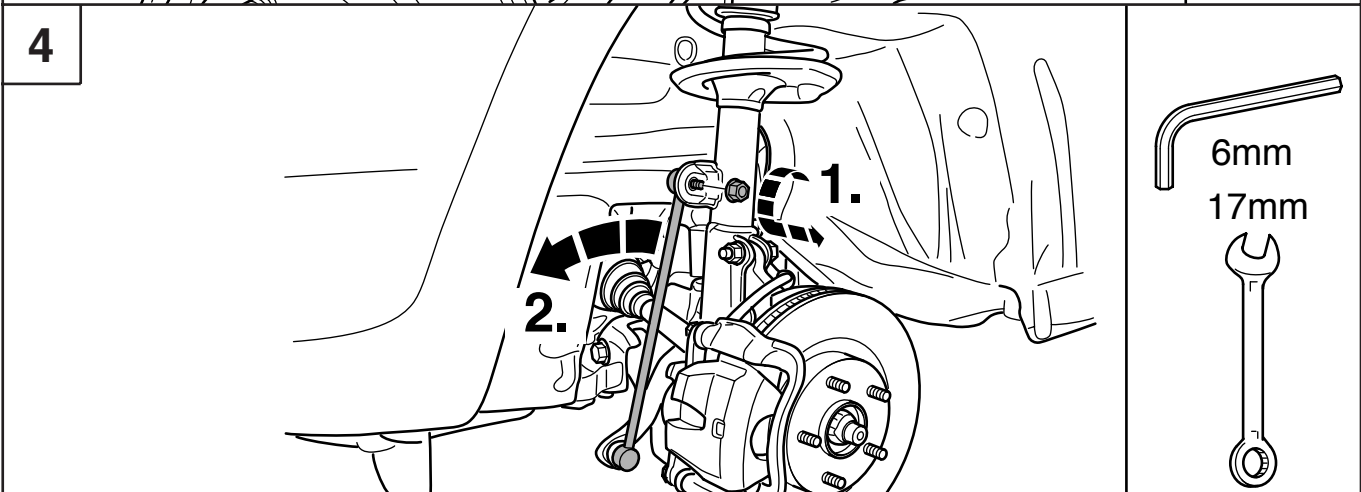
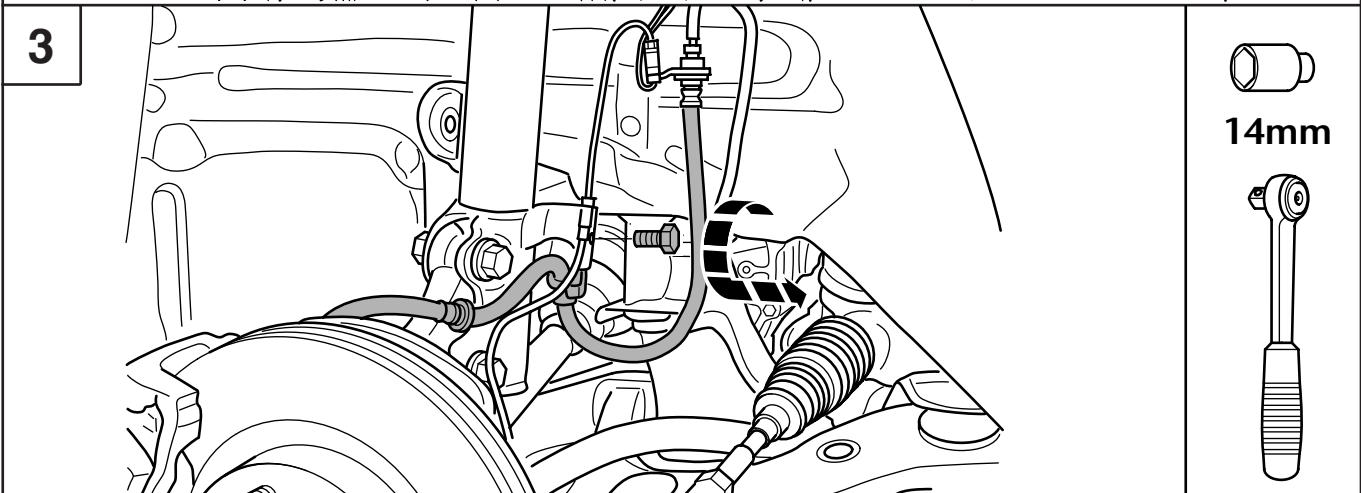
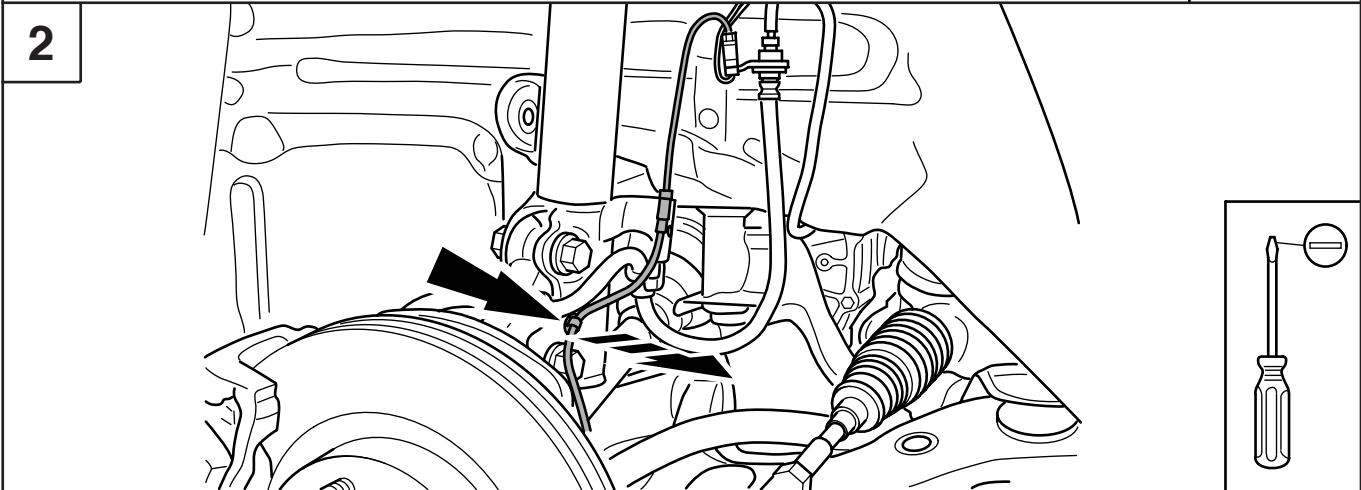
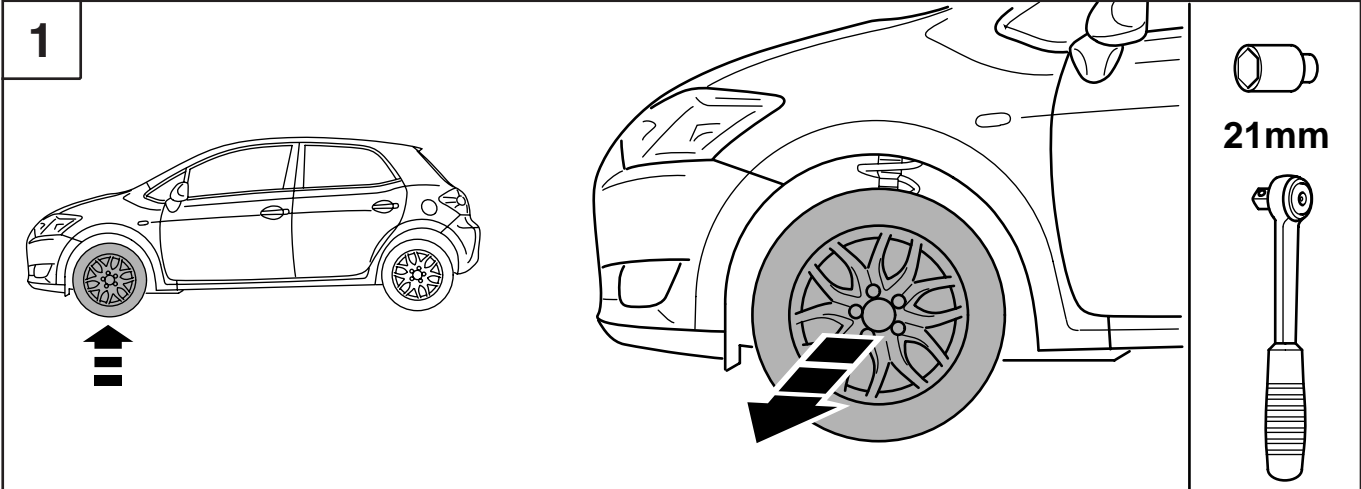


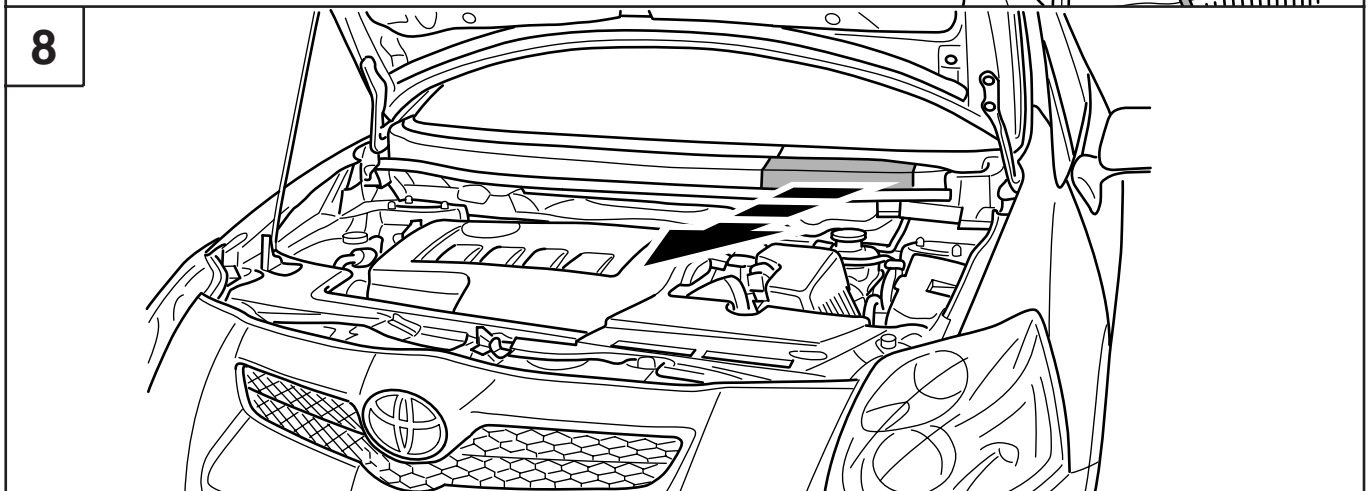
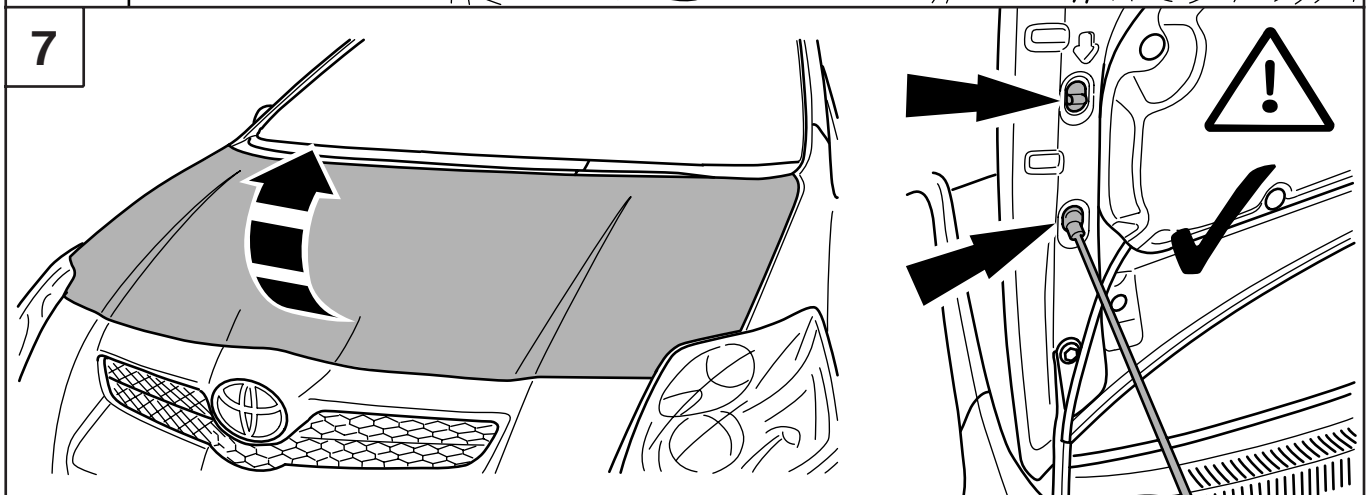
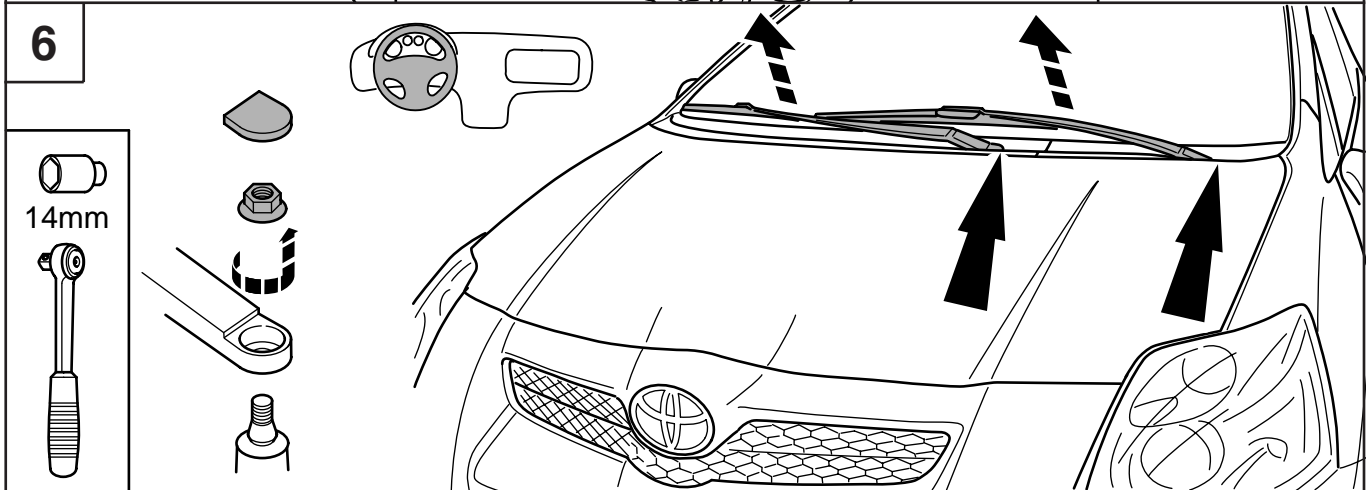
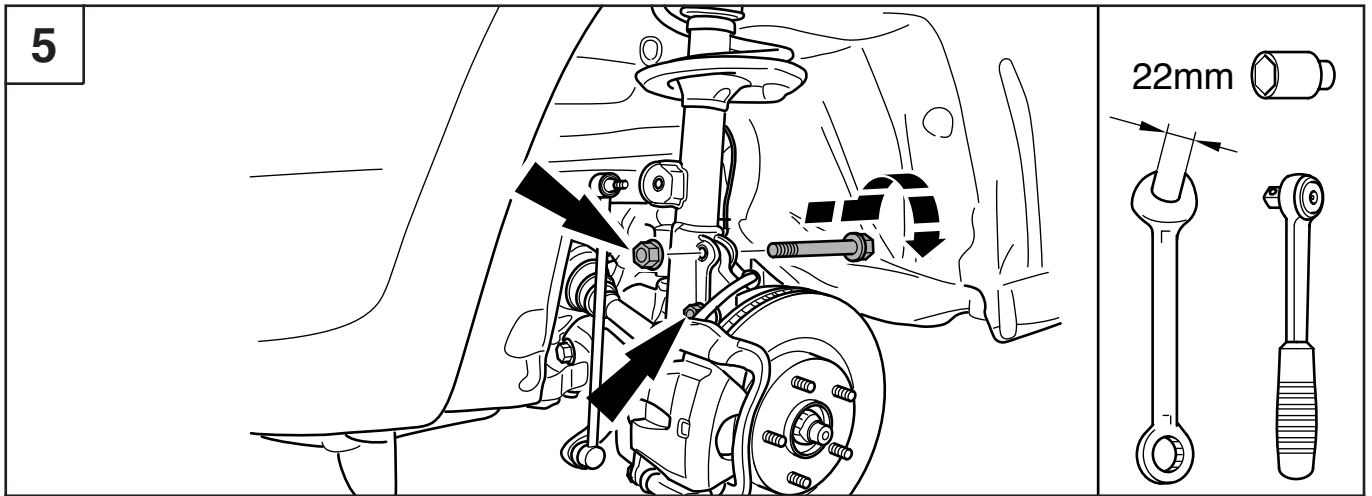
19mm

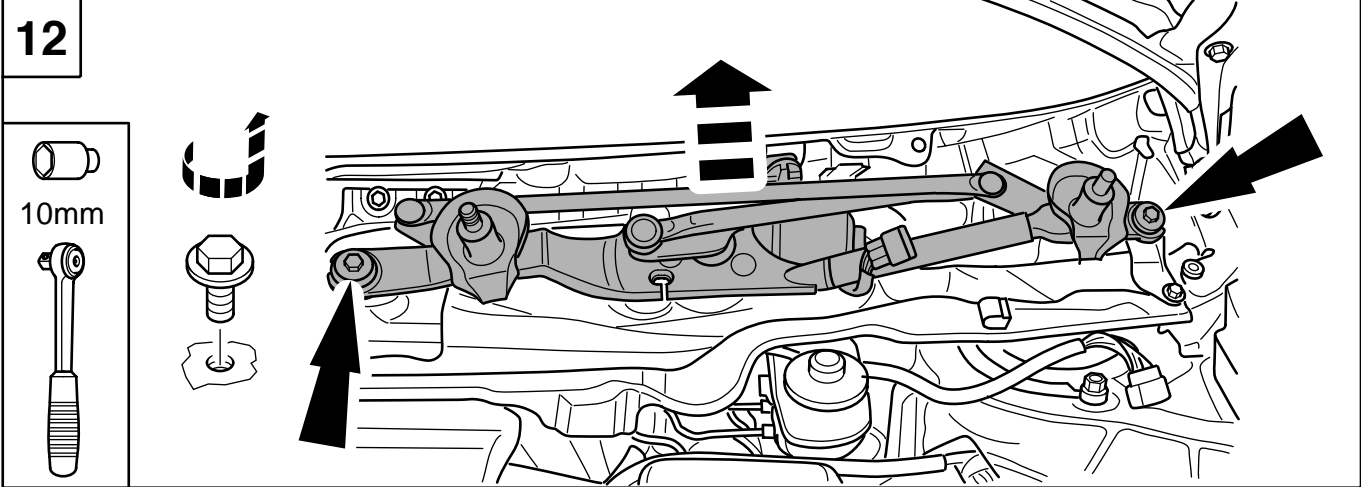
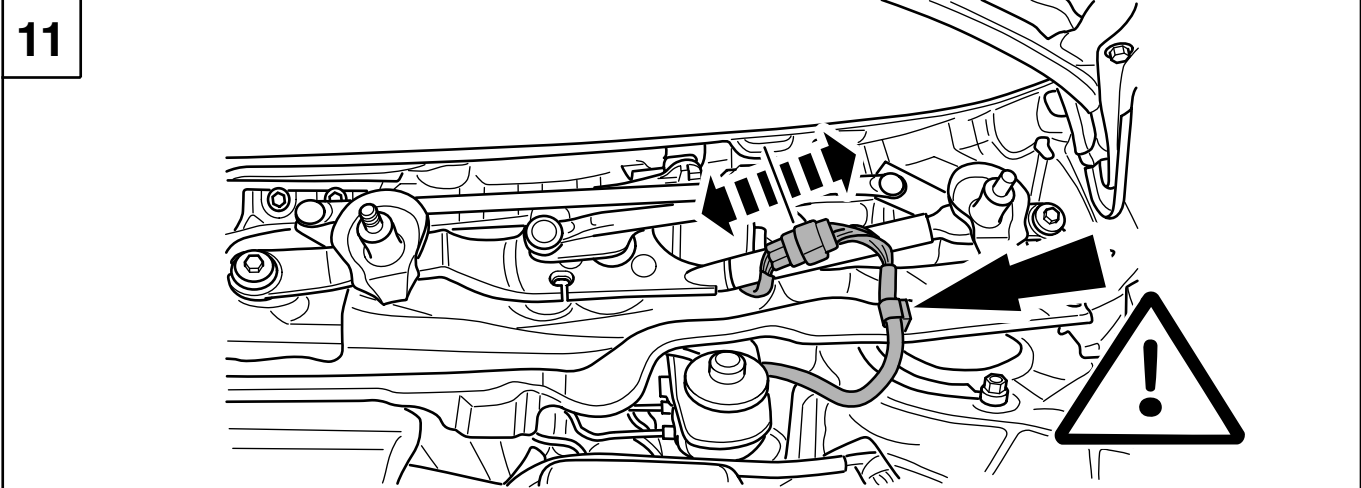
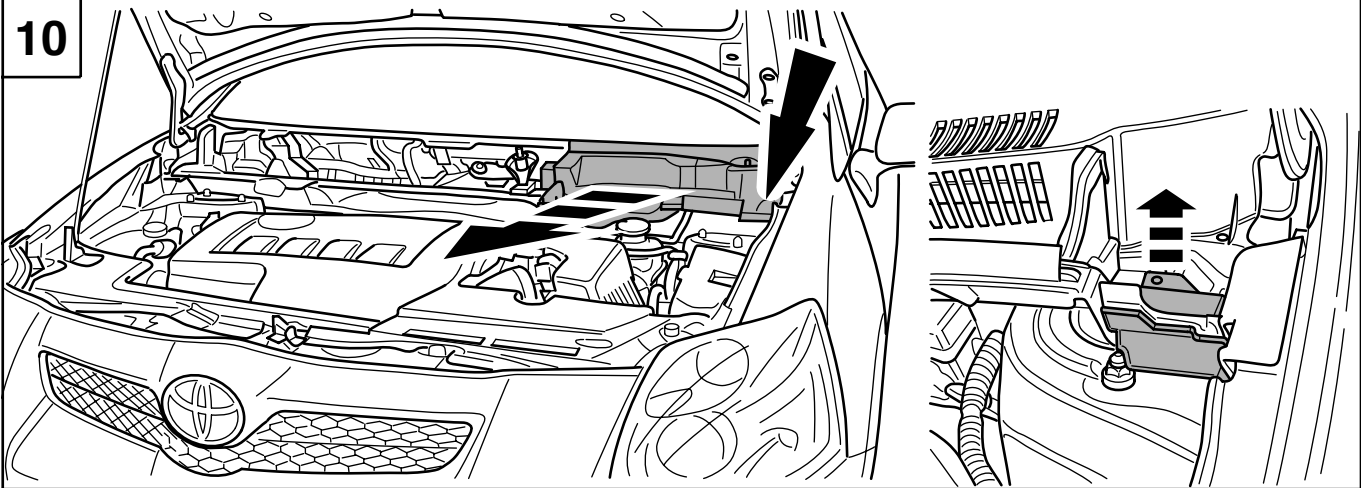
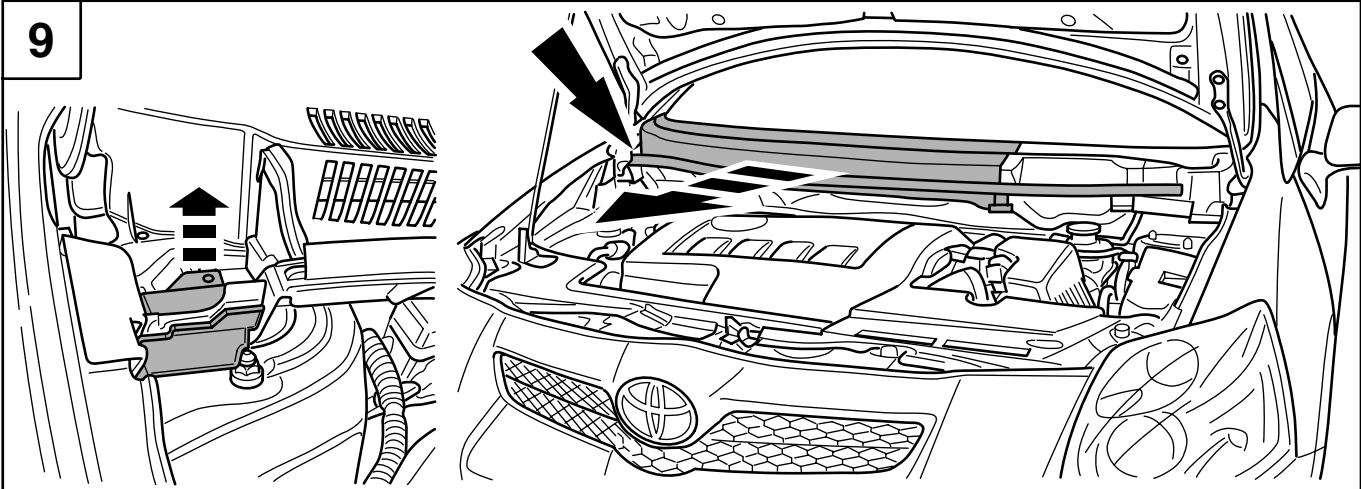


22mm



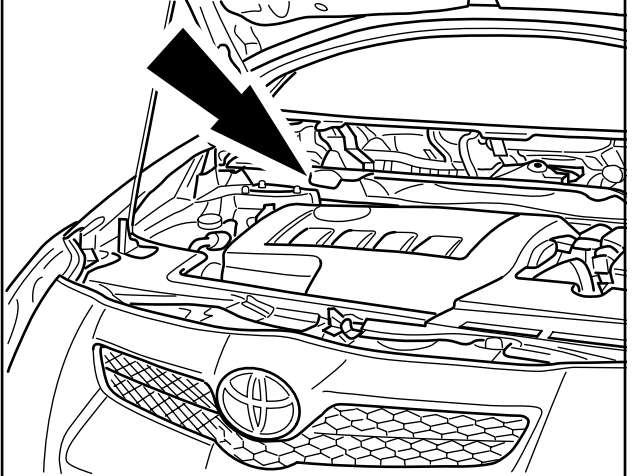
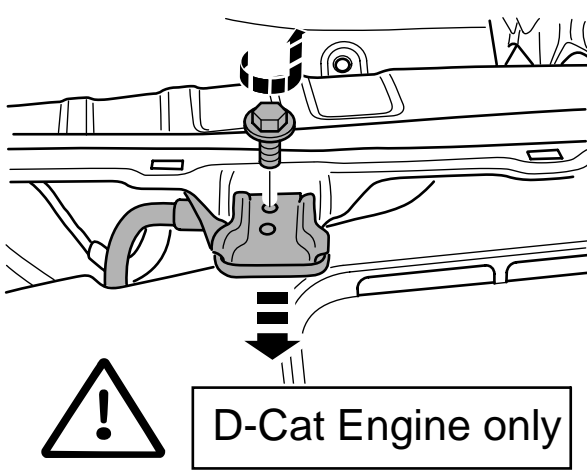
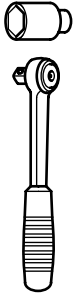






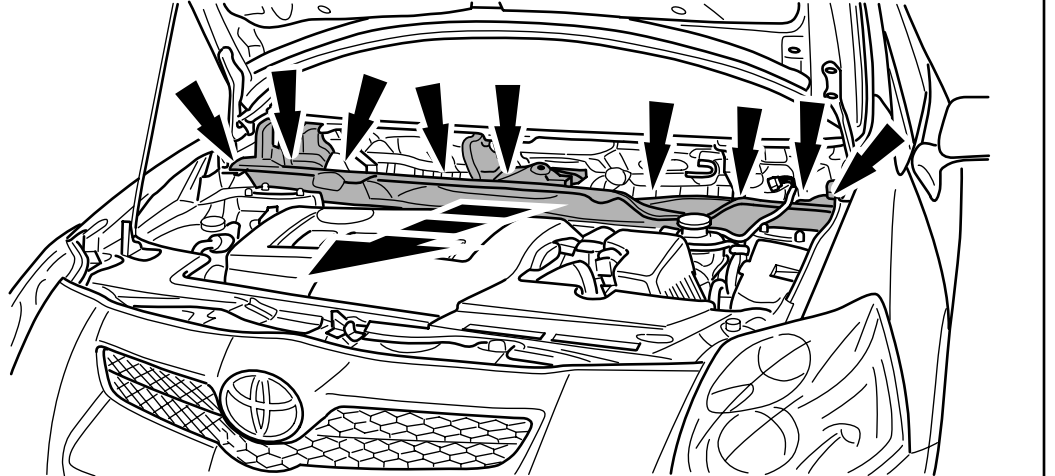
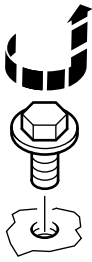
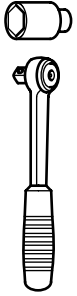
13

10mm



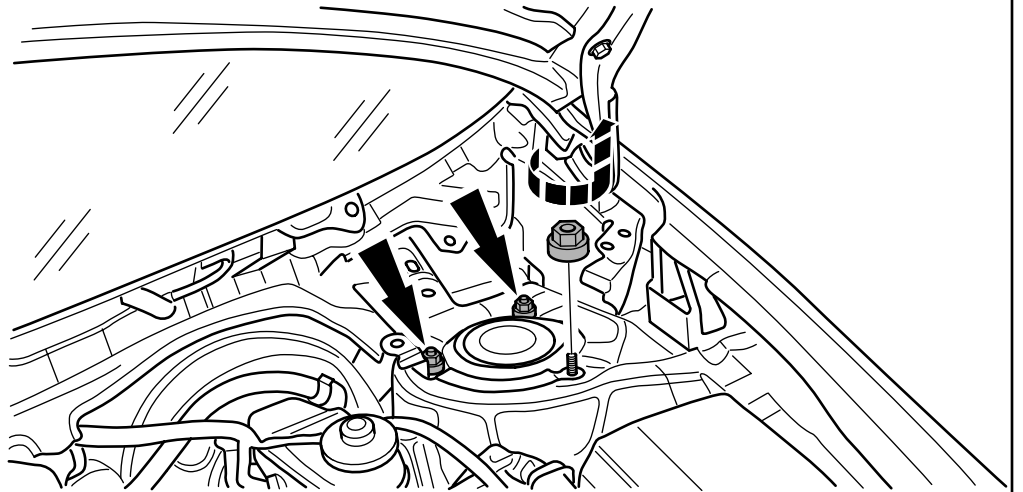
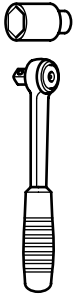
14

10mm

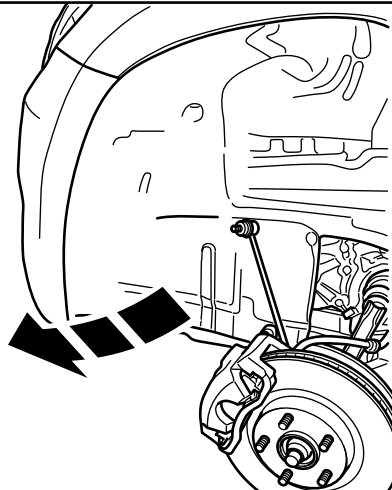
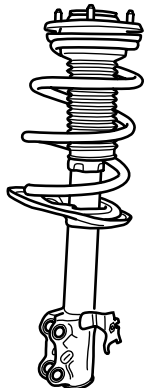


15

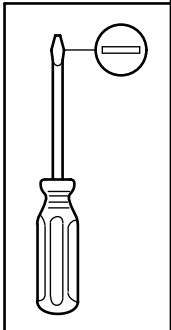
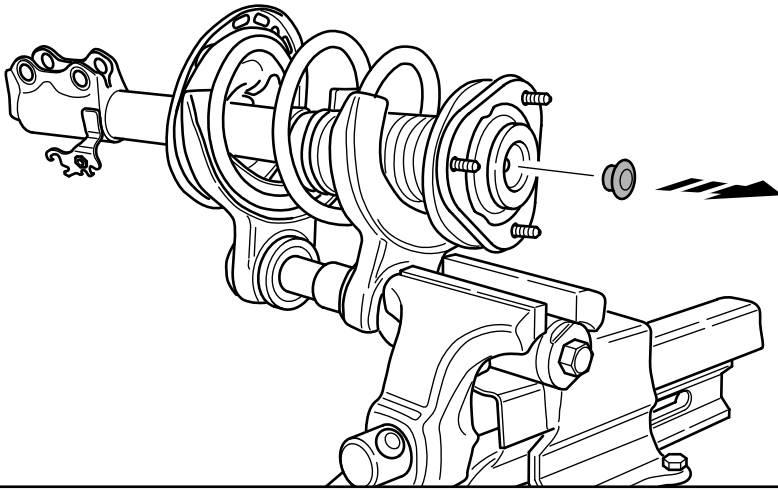
14mm



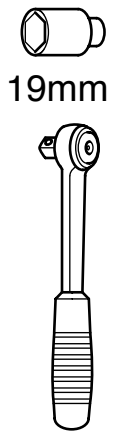
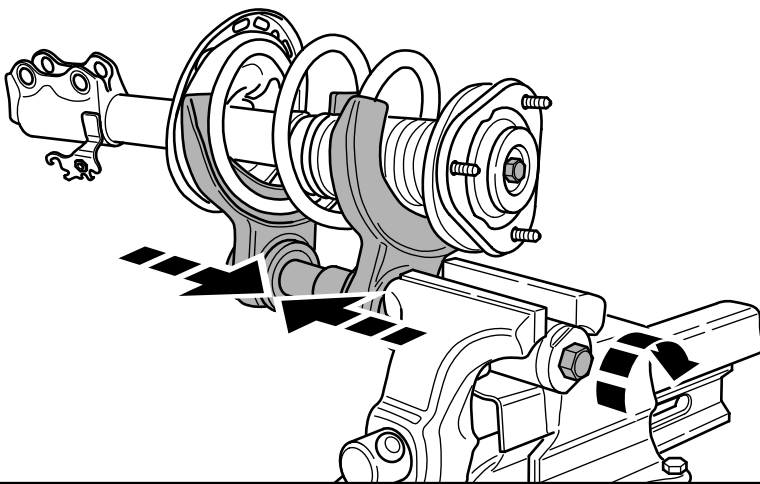
16



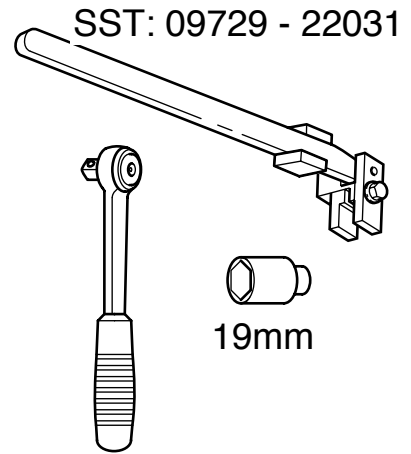
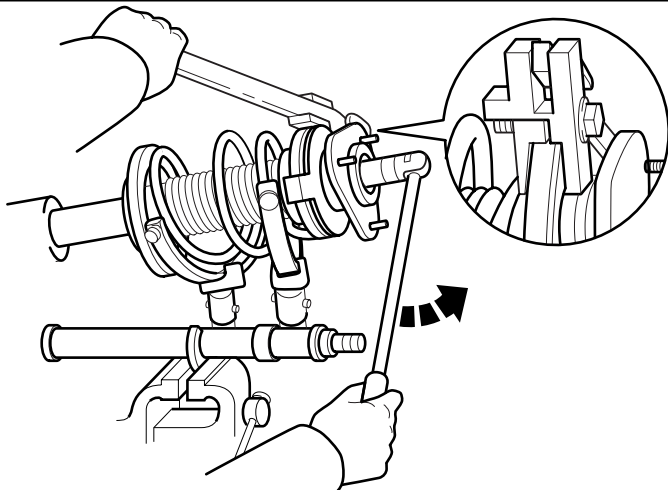
17



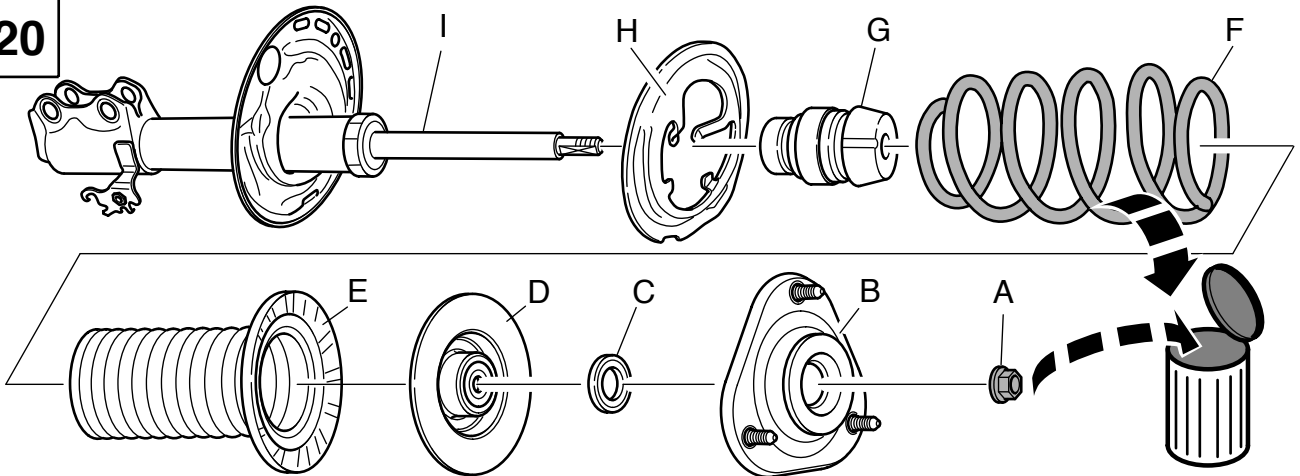
18

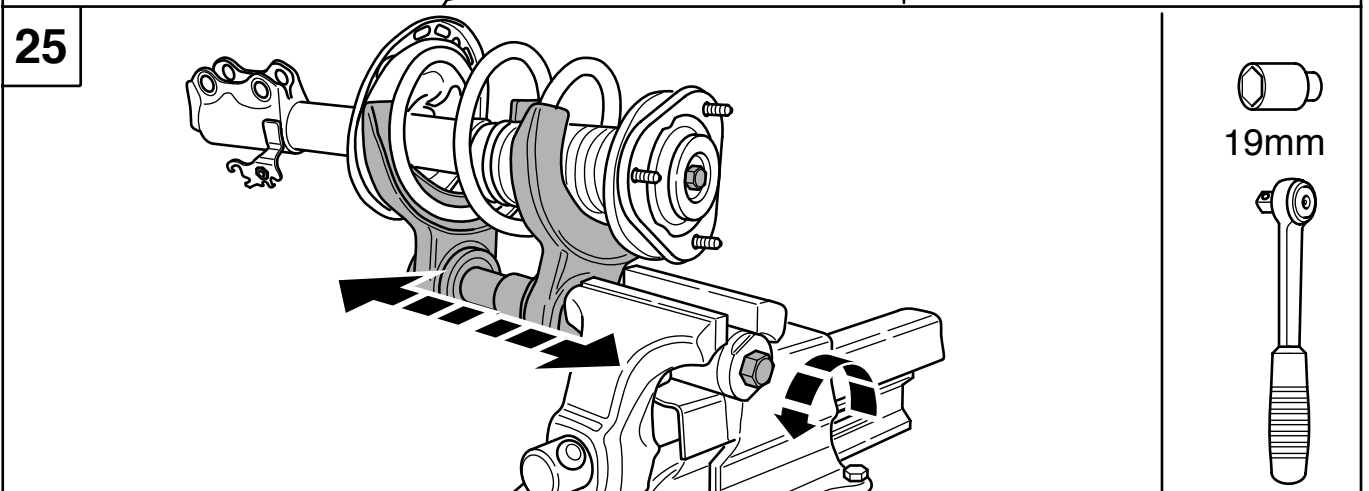
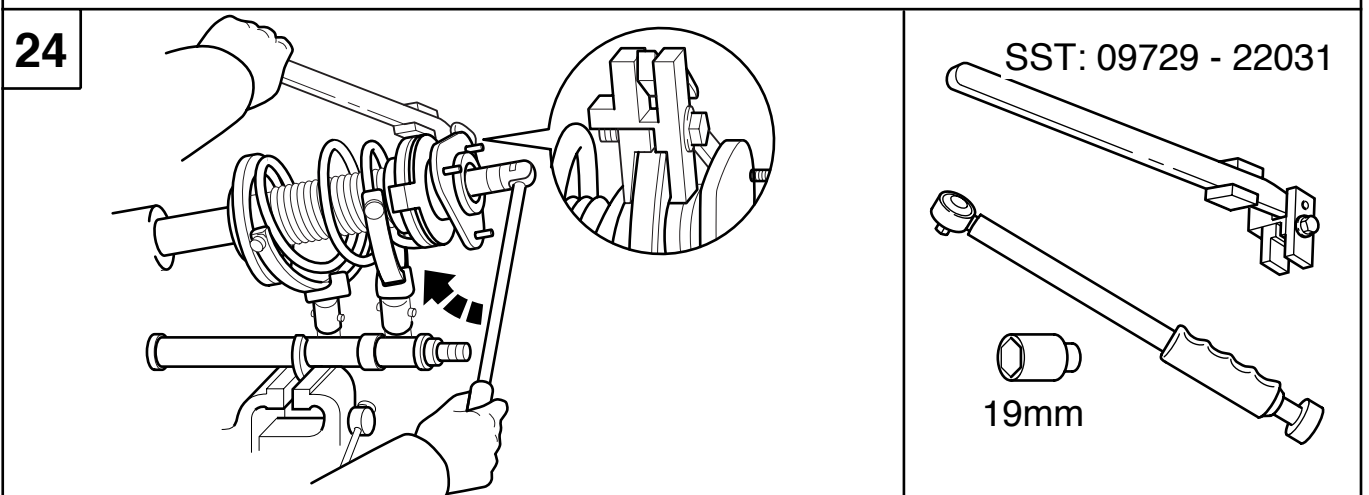
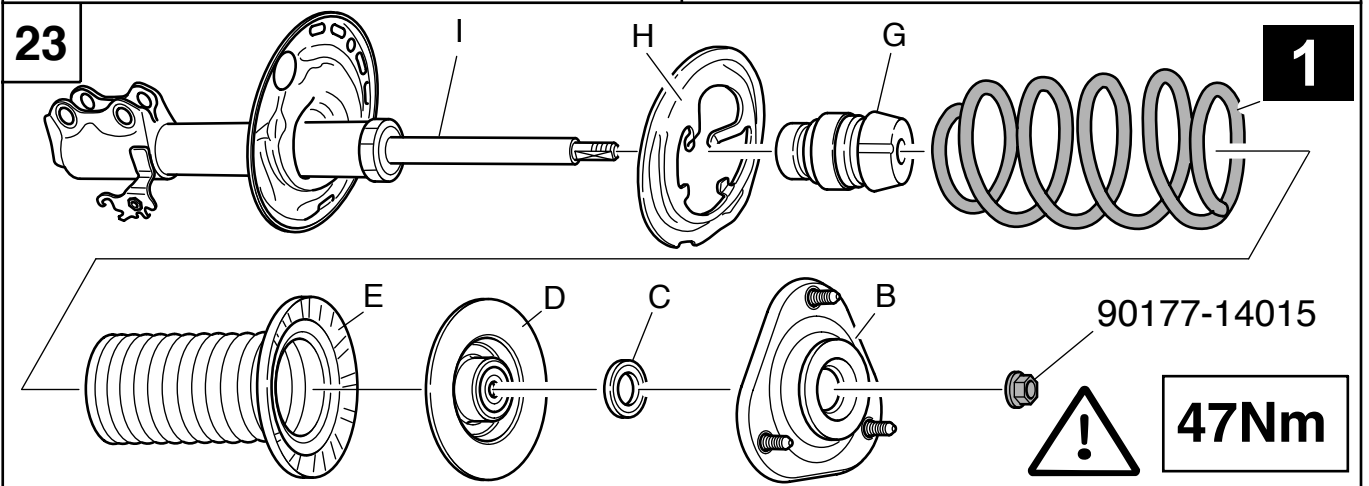
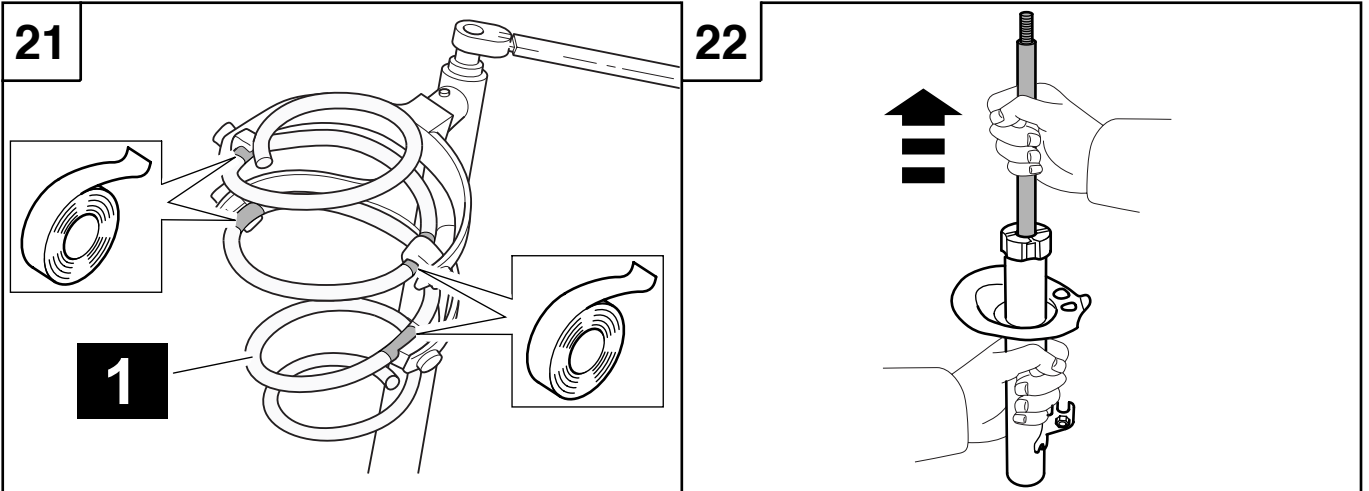


19

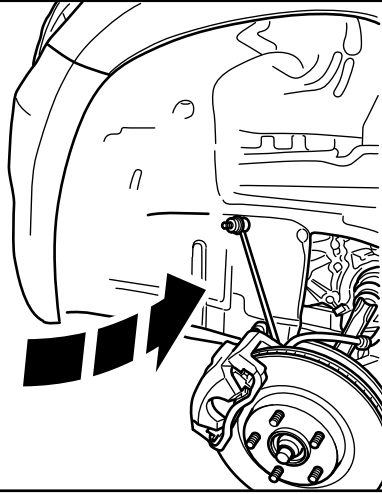
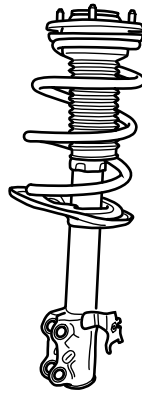


20

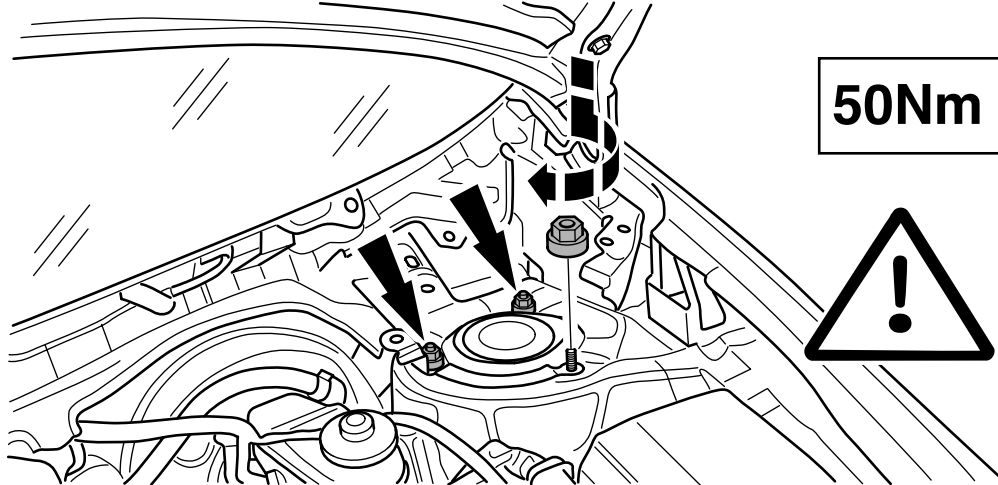




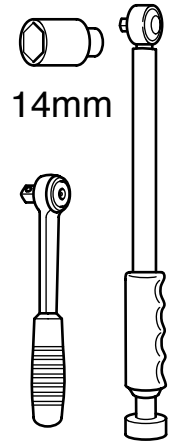
26



27

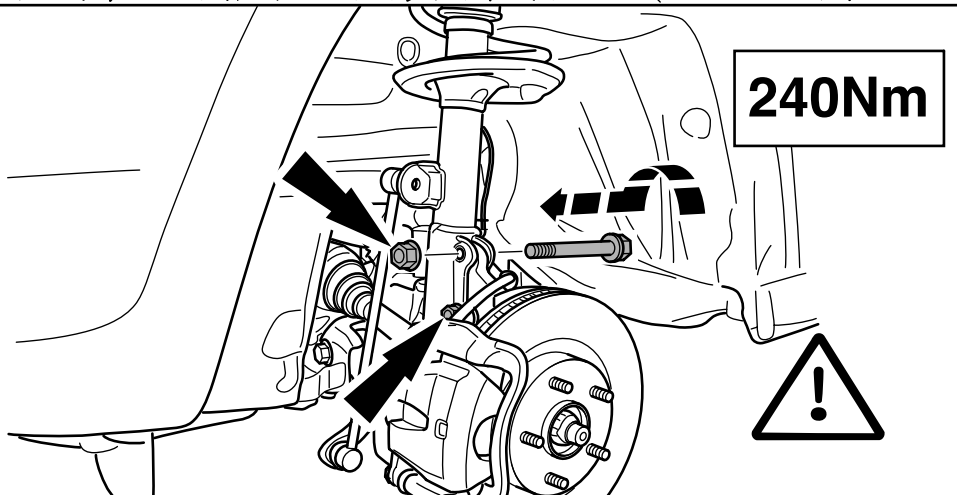


50Nm

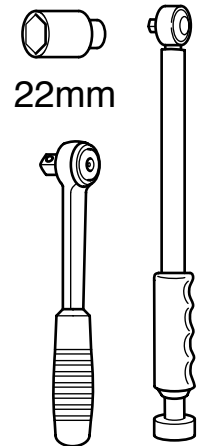


14mm

28

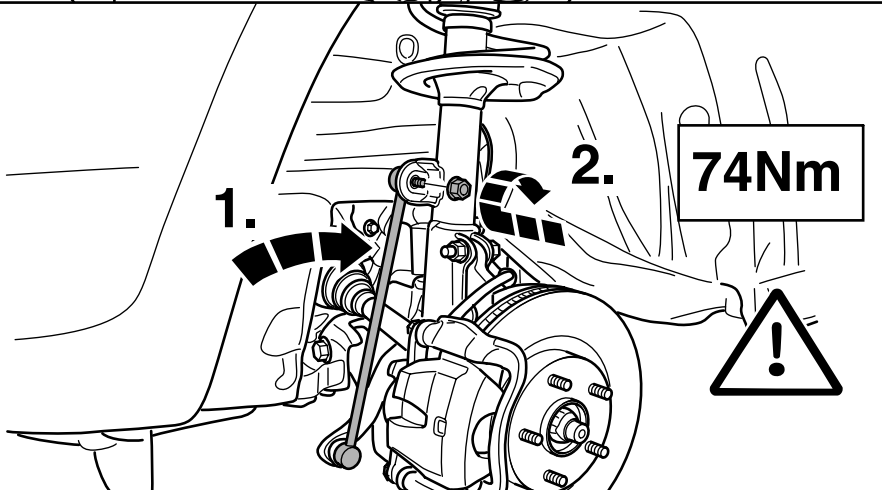


240Nm

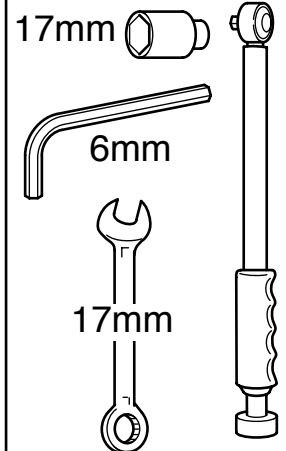


22mm

29



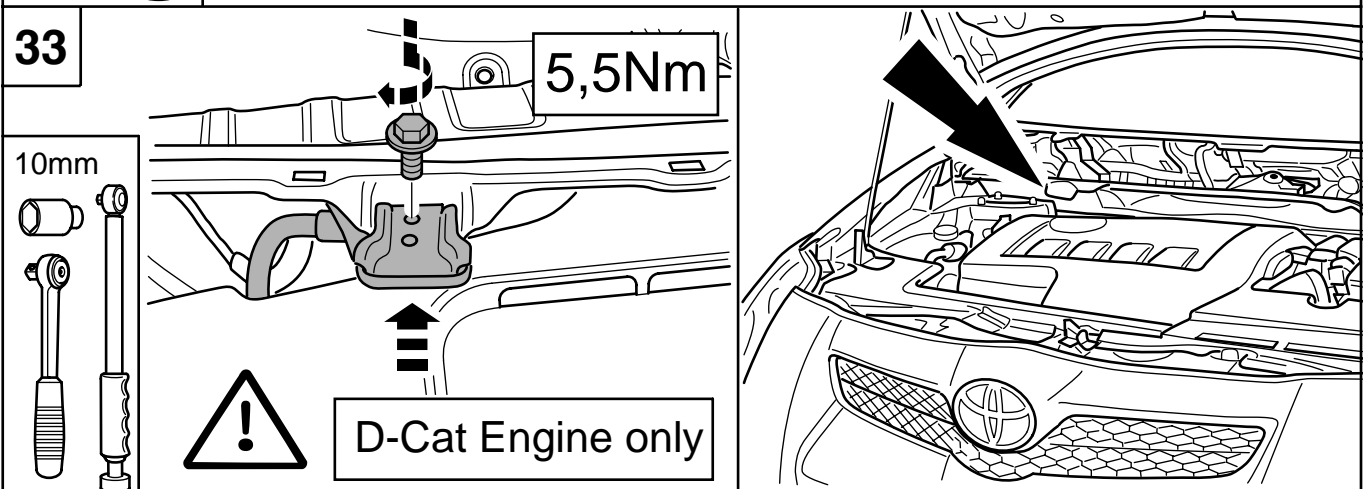
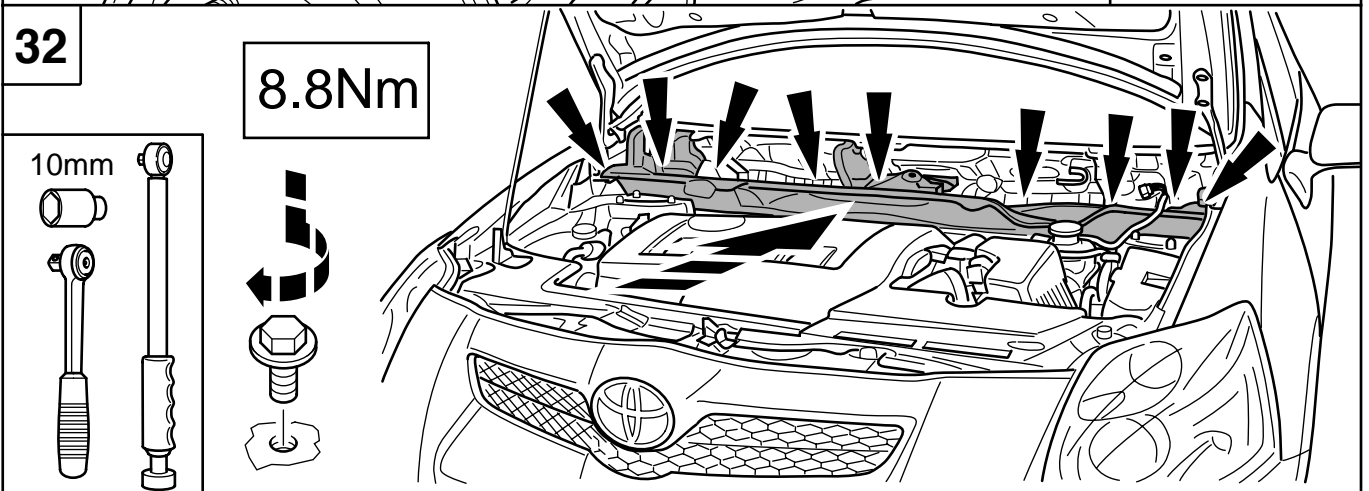
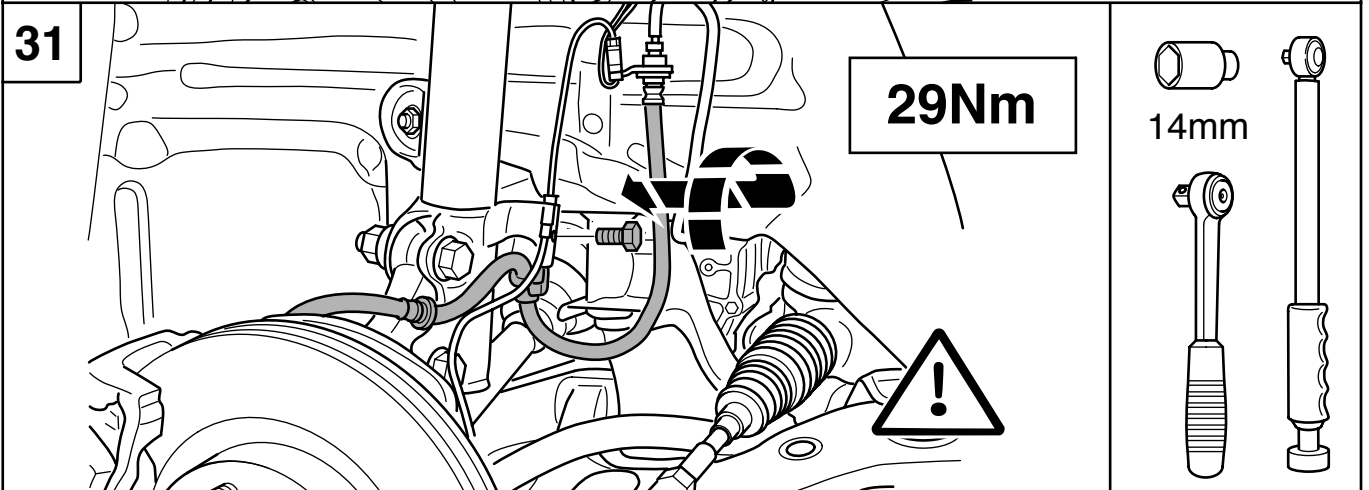
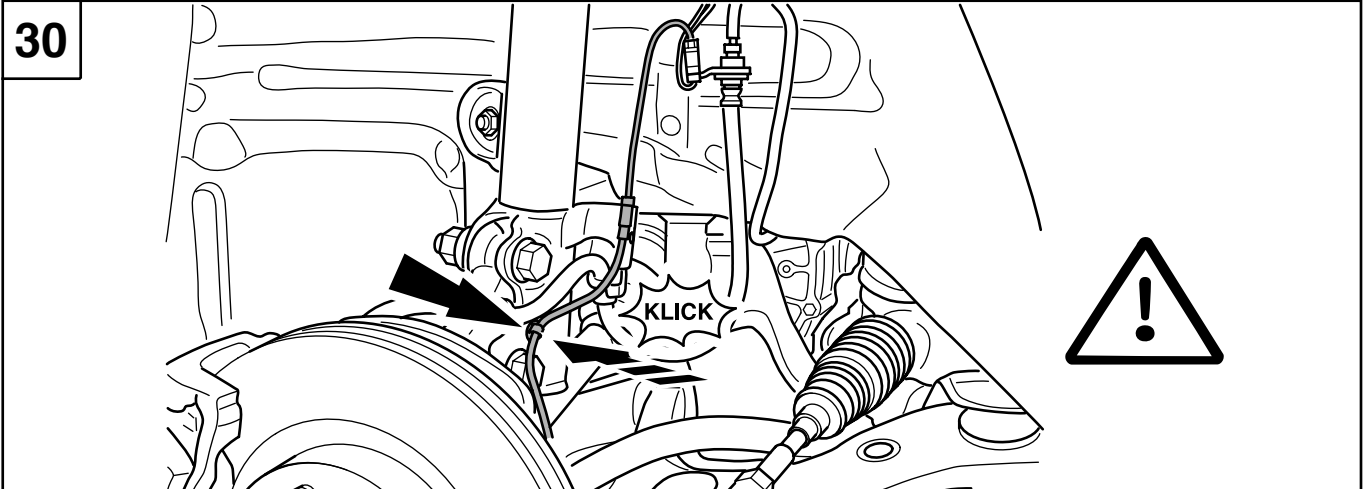
74Nm



17mm

6mm

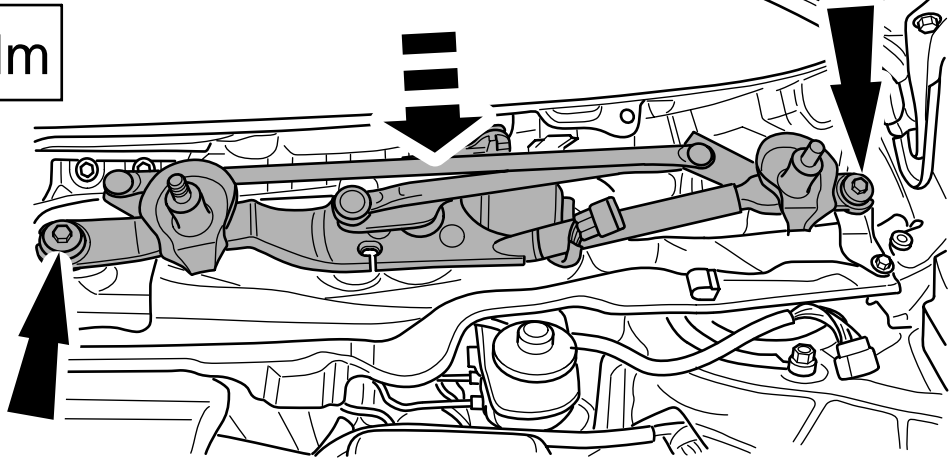
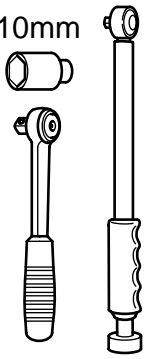
17mm



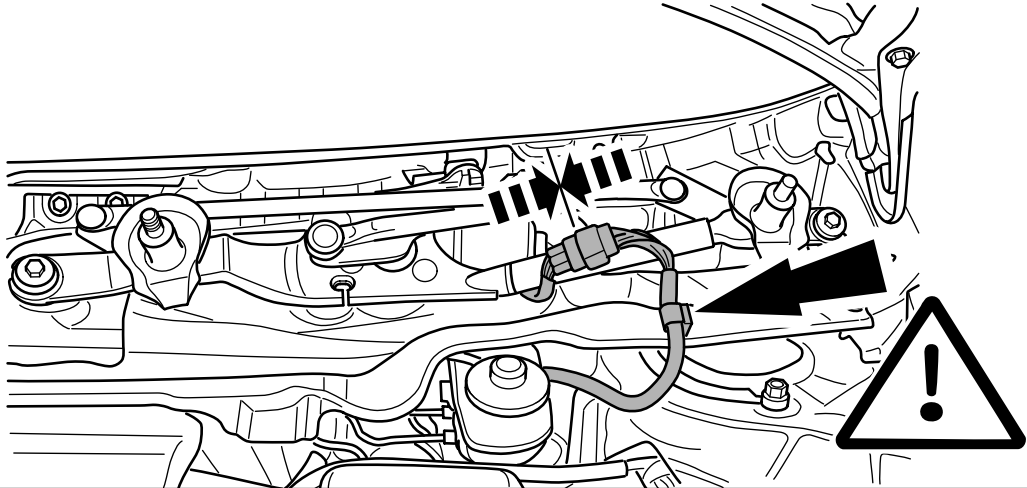
34

5,5Nm

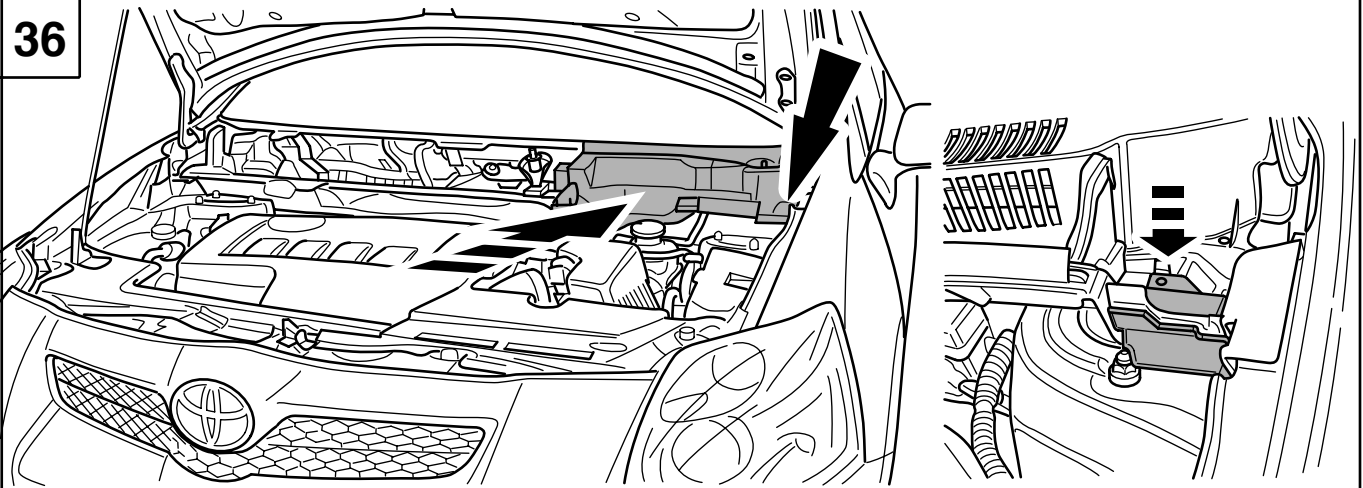
10mm



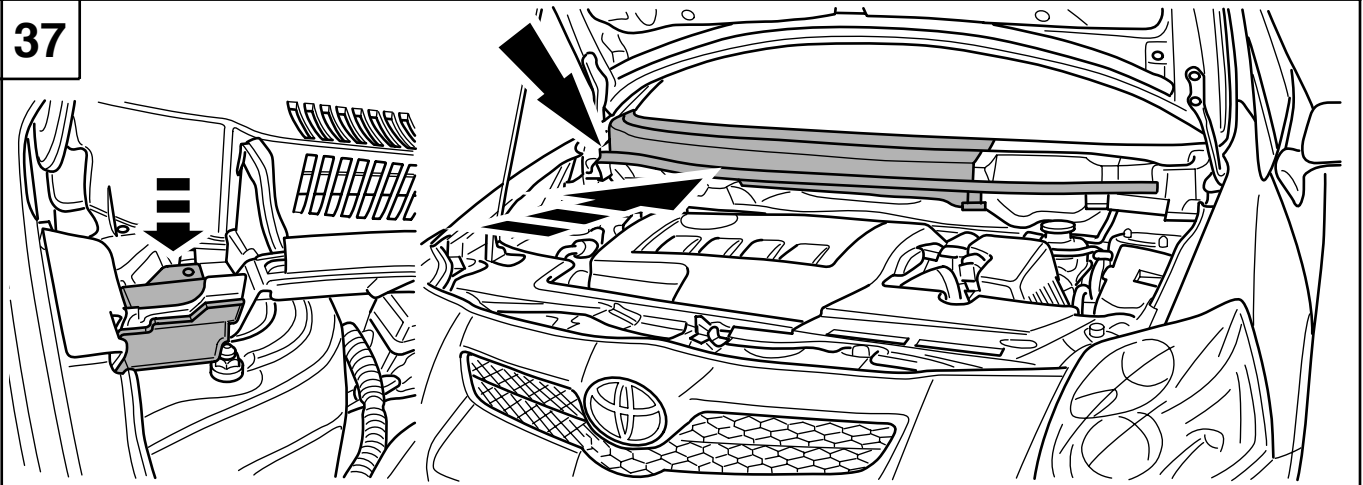
35



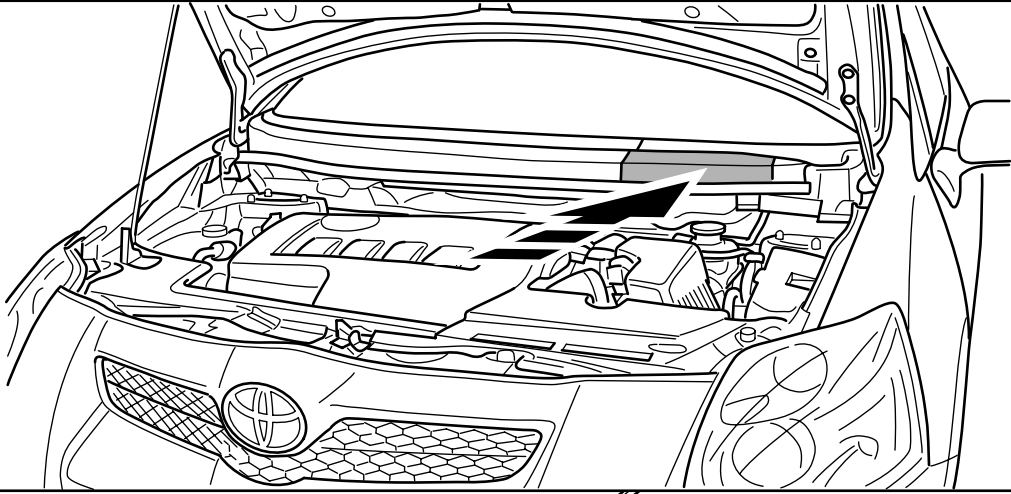
36



37



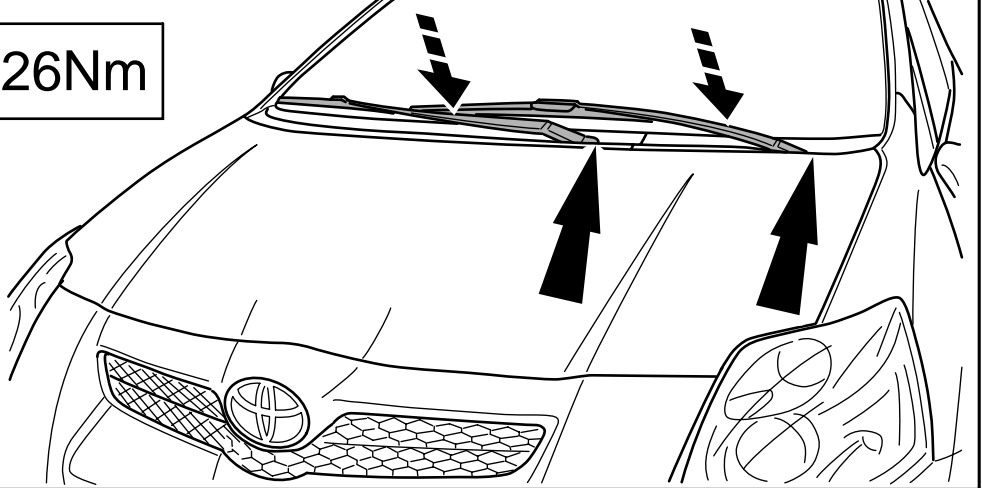
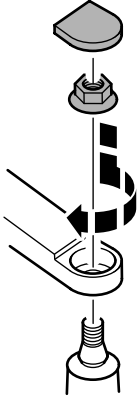
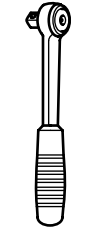
38



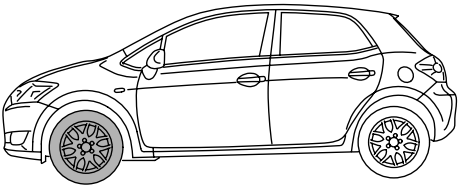
39

26Nm

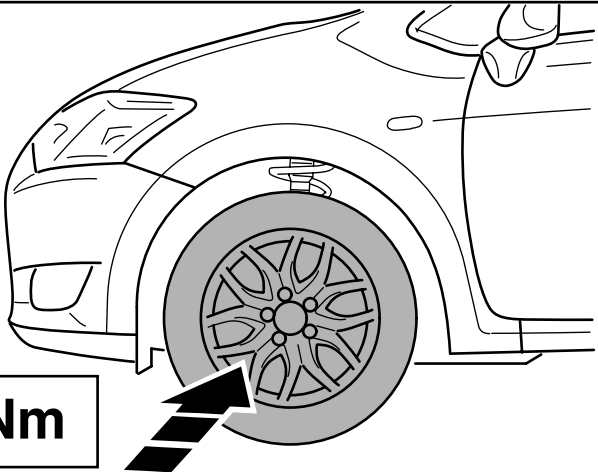
14mm



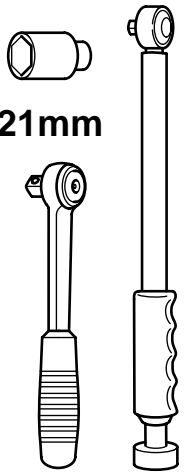
40



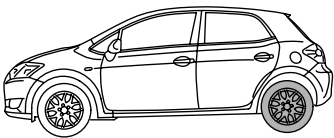
103Nm +/- 15Nm



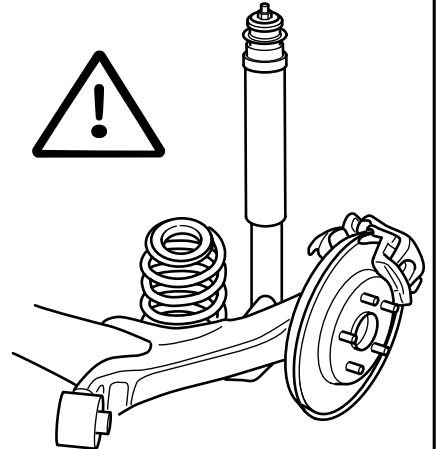
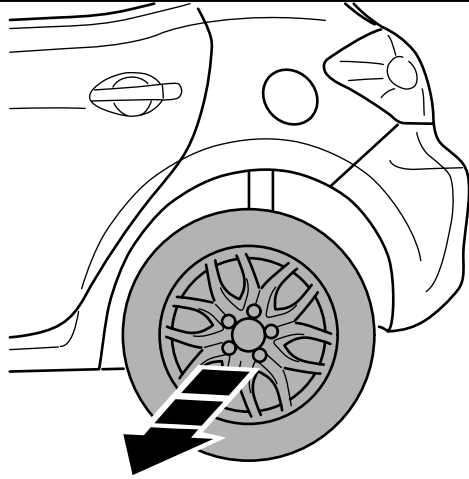
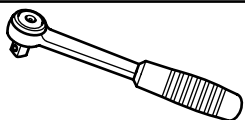
21mm



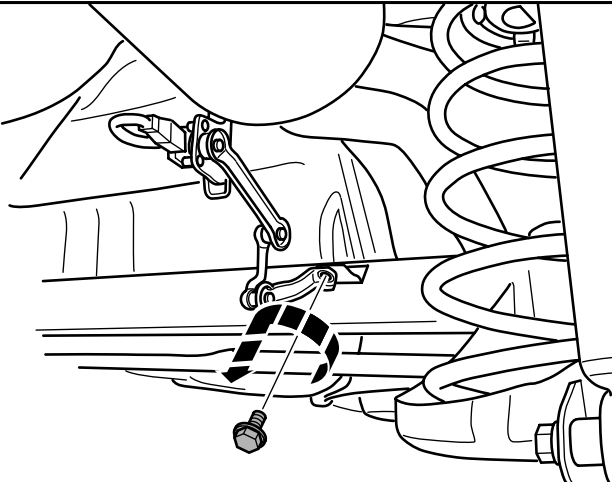
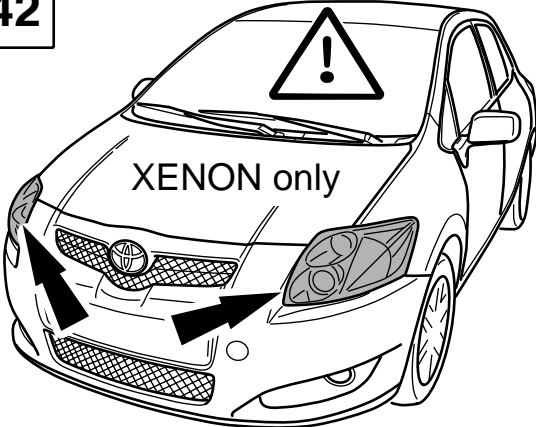
41



21mm



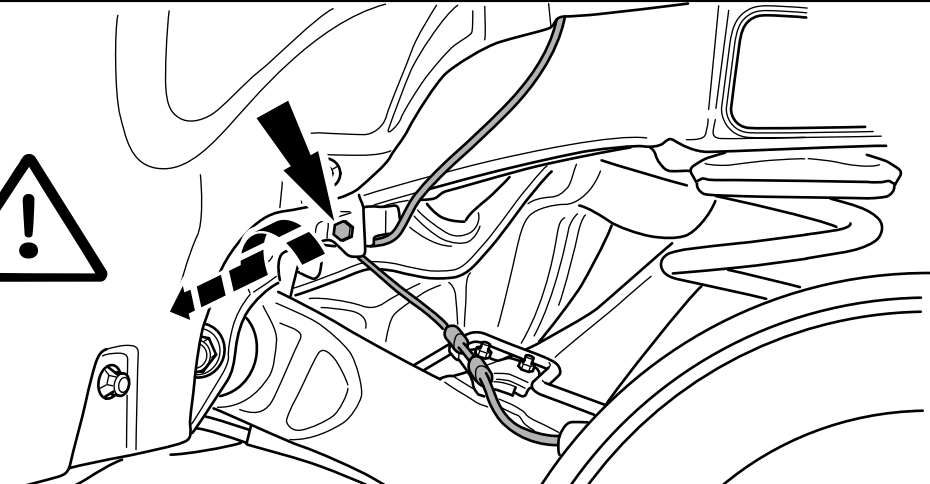
42



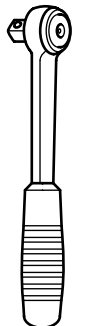
10mm



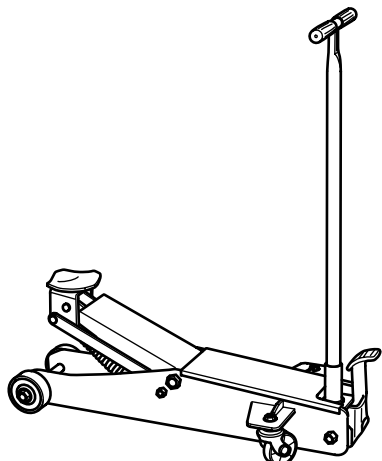
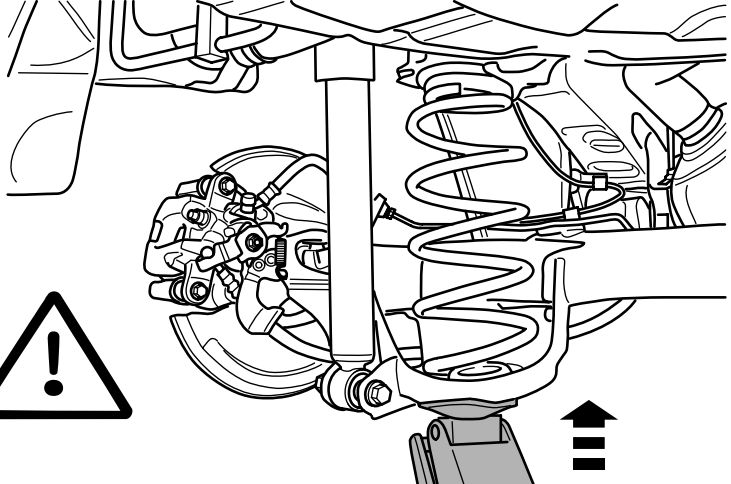
43



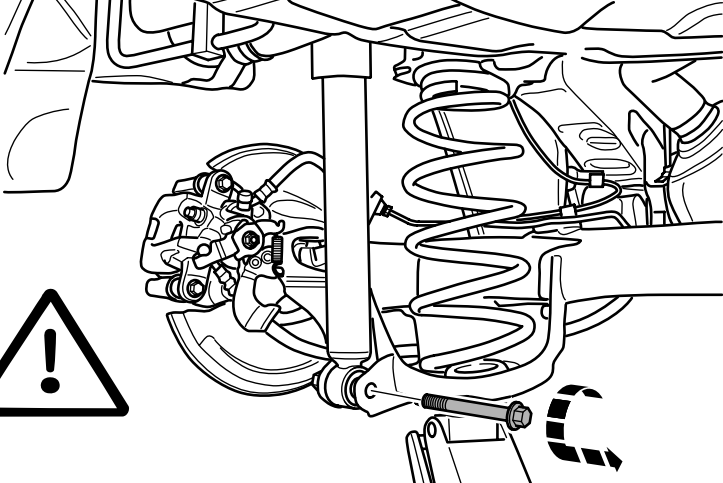
10mm



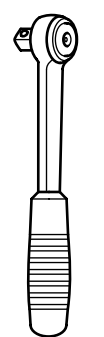
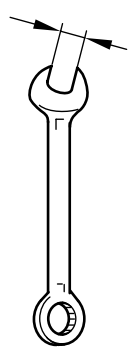
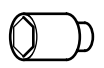
44



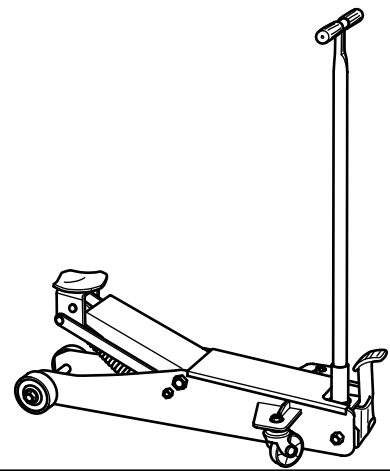
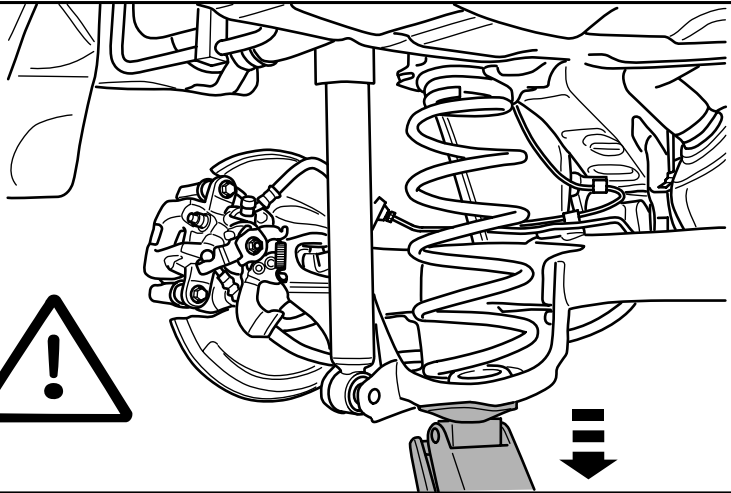
45



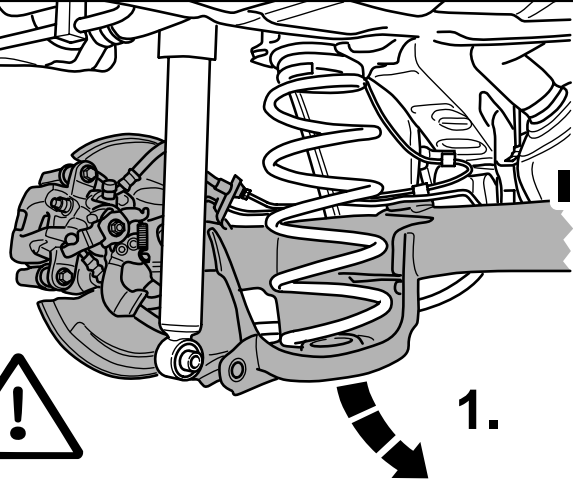
17mm



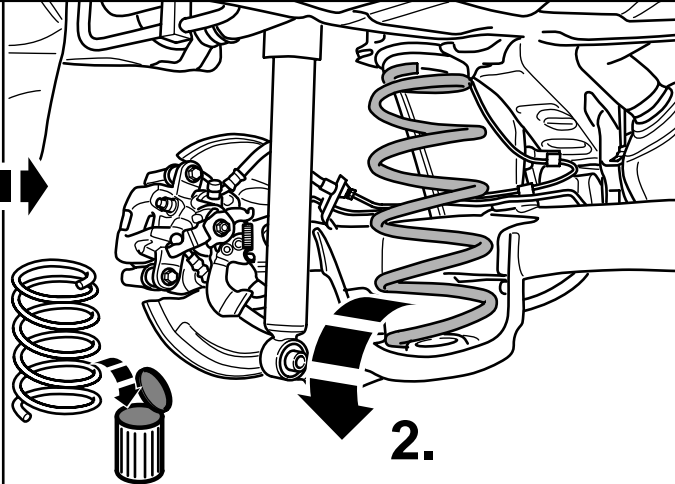
46



47

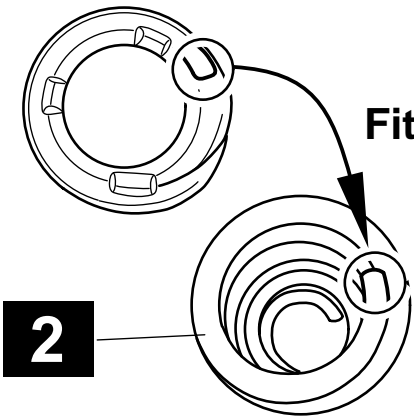


1.



2.

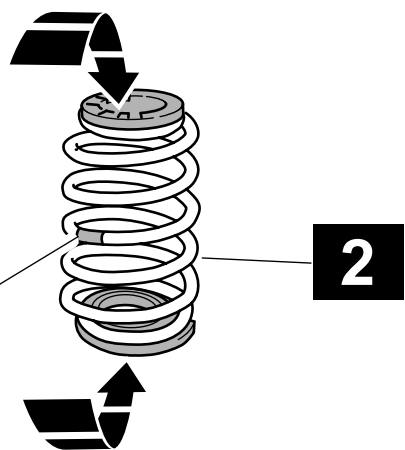
48



2

Fit

Toyota-Logo

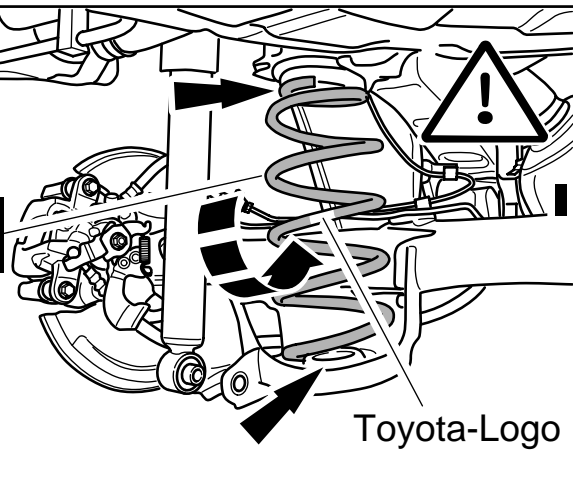


2

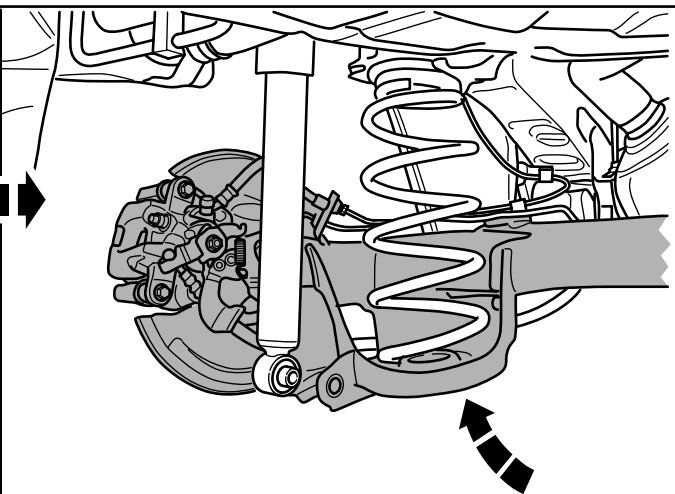
49

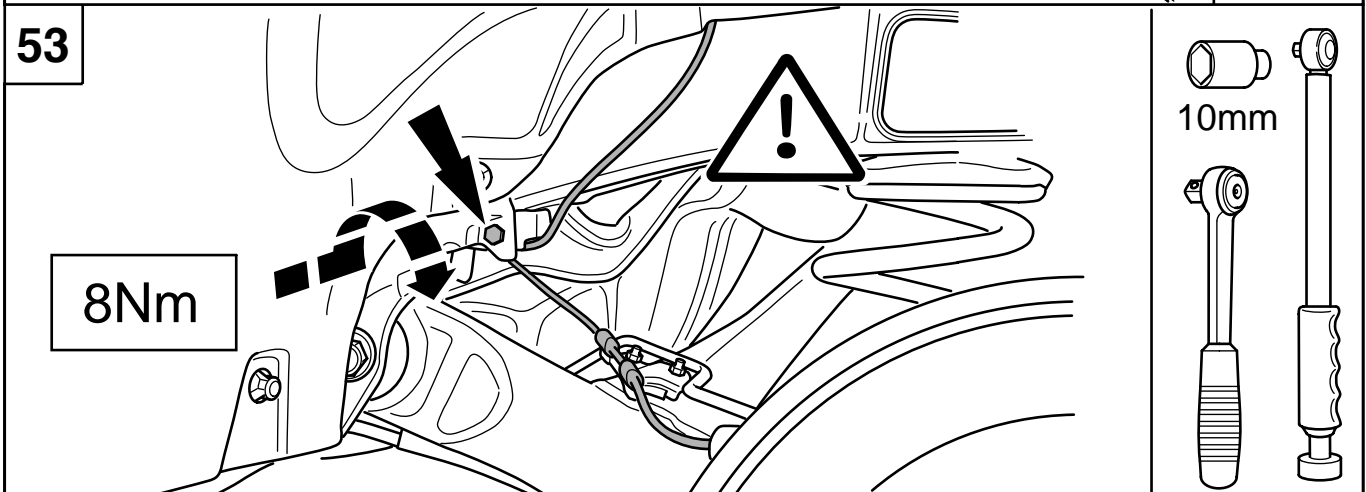
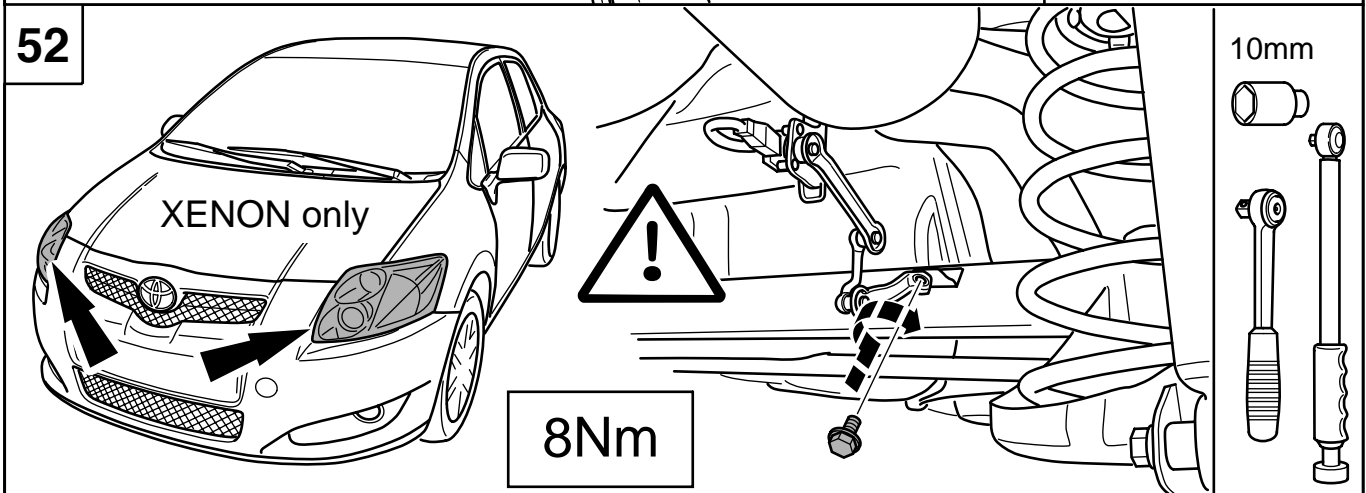
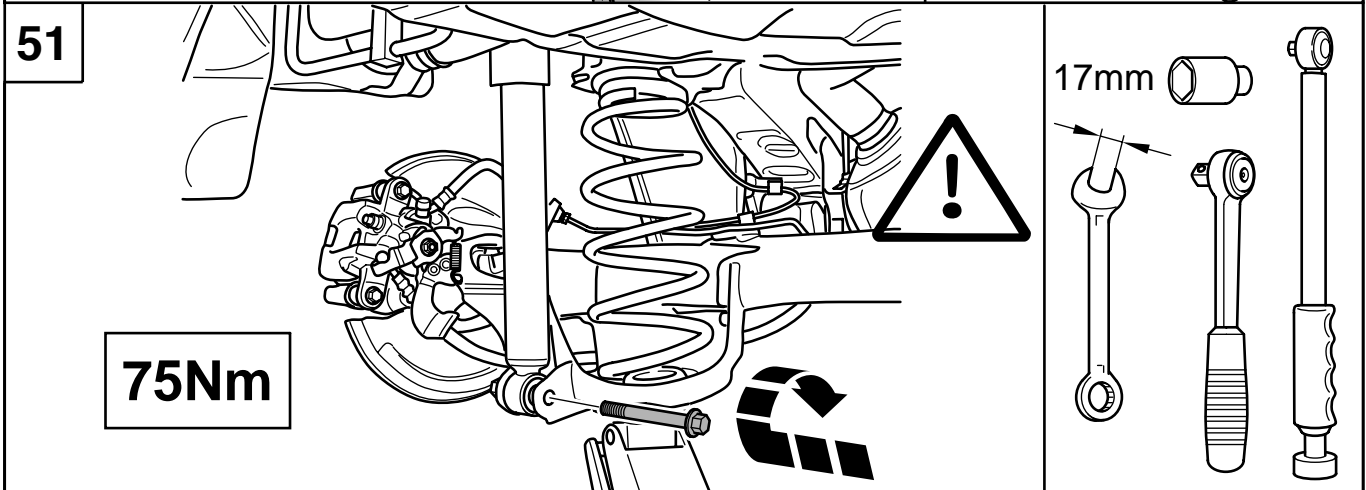
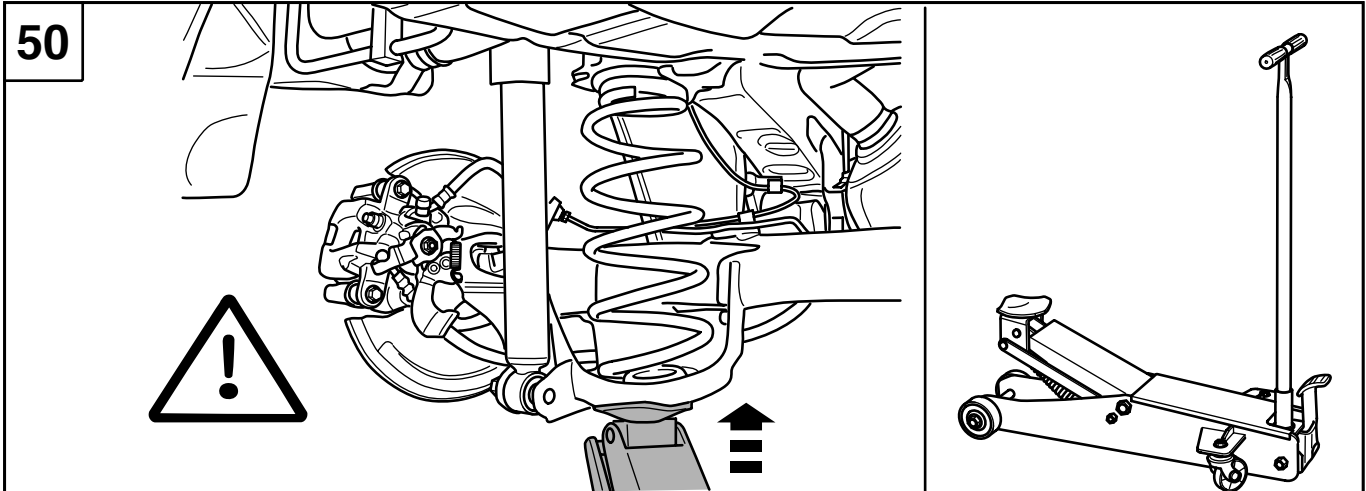


2

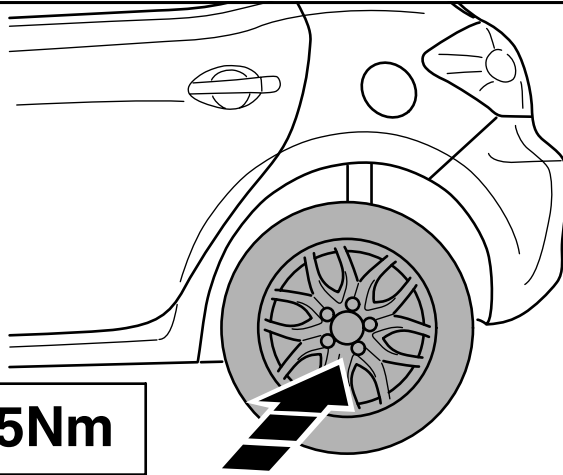
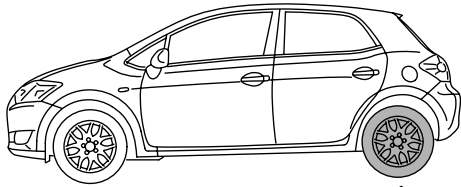


Toyota-Logo

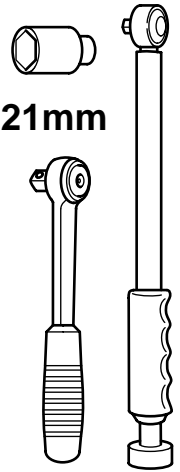




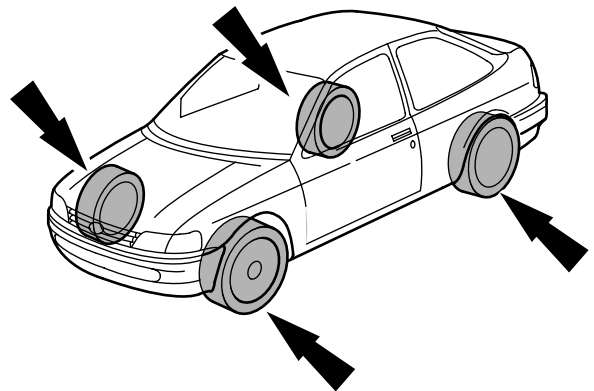
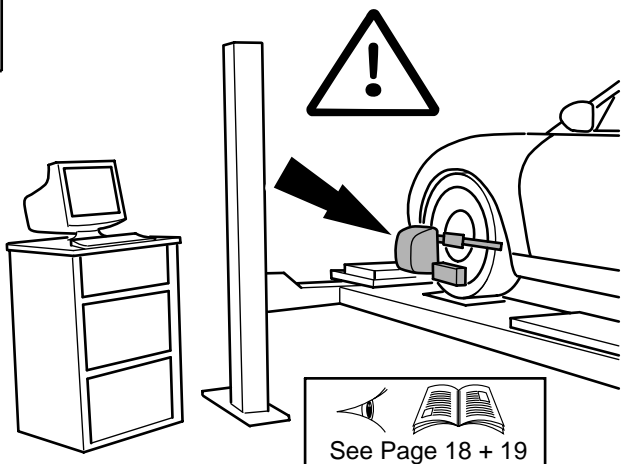
54



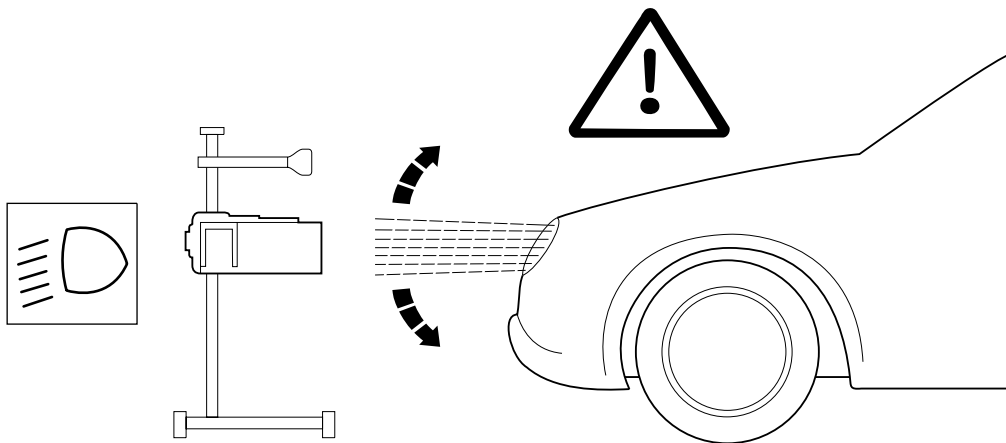
103Nm +/- 15Nm



55




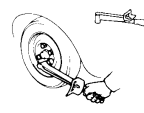

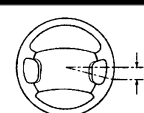
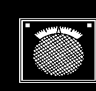
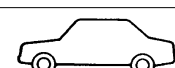
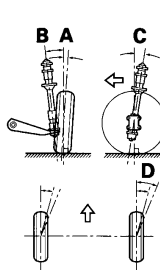
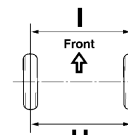



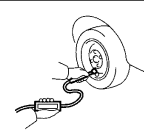




56



COROLLA / AURIS

ZZE150
ZRE151

Oct.'06

		ZZE, ZRE				
 N·m (kgf·cm, ft·lbf)		103 (1050, 76)				
		ZZE, ZRE				
 mm (in.)		30 (1.18)				
						
		Normal package	Rough road package	Normal package	Rough road package	
	A	$-0^{\circ}12' \pm 45'$ ($-0.20^{\circ} \pm 0.75^{\circ}$)	$-0^{\circ}04' \pm 45'$ ($-0.07^{\circ} \pm 0.75^{\circ}$) ⁽⁷⁷⁾ $-0^{\circ}05' \pm 45'$ ($-0.08^{\circ} \pm 0.75^{\circ}$) ⁽⁷⁸⁾	$-1^{\circ}26' \pm 30'$ ($1.43^{\circ} \pm 0.5^{\circ}$)	$-1^{\circ}23' \pm 30'$ ($1.38^{\circ} \pm 0.5^{\circ}$)	
	B	$12^{\circ}10'$ (12.17°)	$11^{\circ}43'$ (11.72°)	-	-	
	C	$5^{\circ}50' \pm 45'$ ($5.83^{\circ} \pm 0.75^{\circ}$)	$5^{\circ}32' \pm 45'$ ($5.53^{\circ} \pm 0.75^{\circ}$)	-	-	
	D	$39^{\circ}15' \pm 2^{\circ}$ ($39.25^{\circ} \pm 2^{\circ}$) ⁽⁷⁷⁾ $39^{\circ}16' \pm 2^{\circ}$ ($39.27^{\circ} \pm 2^{\circ}$) ⁽⁷⁸⁾	$39^{\circ}43' \pm 2^{\circ}$ ($39.72^{\circ} \pm 2^{\circ}$) ⁽⁷⁷⁾ $39^{\circ}44' \pm 2^{\circ}$ ($39.73^{\circ} \pm 2^{\circ}$) ⁽⁷⁸⁾	-	-	
	H-I mm (in.)	2 ± 2 (0.08 ± 0.08)		2.4 ± 3 (0.09 ± 0.11)	1.1 ± 3 (0.04 ± 0.11)	
						
km/h (mph)						
 kPa (kgf/cm ² or bar, psi)	195/65R15 91H	 ₁₆₀ (100)	250 (2.5, 36)		250 (2.5, 36)	
		 ₁₆₀ (100)	220 (2.2, 32)		220 (2.2, 32)	
	205/55R16 91V	 ₁₆₀ (100)	250 (2.5, 36)		250 (2.5, 36)	
		 ₁₆₀ (100)	220 (2.2, 32)		220 (2.2, 32)	

COROLLA / AURIS

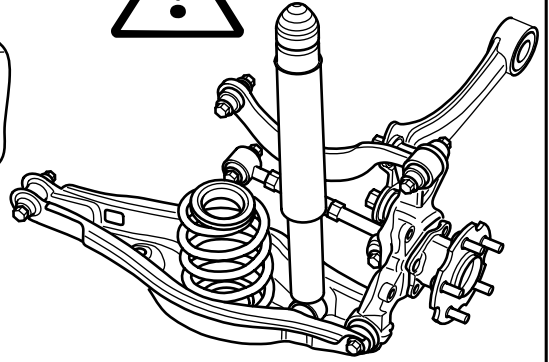
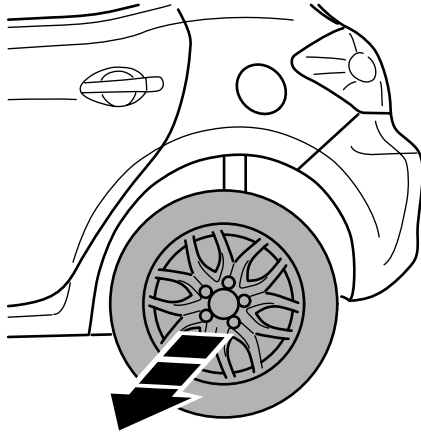
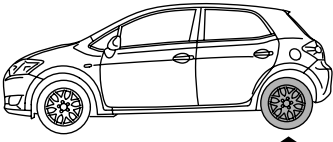
Diesel

NDE150
ADE150 **Oct.'06**

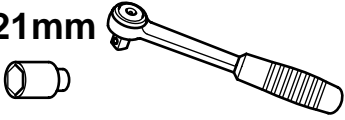
		NDE, ADE			
		103 (1050, 76)			
N·m (kgf-cm, ft-lbf)					
		NDE, ADE			
		30 (1.18)			
mm (in.)					
		Normal package	Rough road package	Normal package	Rough road package
	A	-0°12'±45' (-0.20±0.75) ^{(*)3} -0°13'±45' (-0.22±0.75) ^{(*)4}	-0°04'±45' (-0.07±0.75) ^{(*)5} -0°05'±45' (-0.08±0.75) ^{(*)6}	-1°26'±30' (1.43±0.5) ^(*)	-1°23'±30' (1.38±0.5) ^(*)
	B	12°10' (12.17) ^{(*)3} 12°11' (12.18) ^{(*)4}	11°43' (11.72) ^{(*)3} 11°45' (11.75) ^{(*)4}	-	-
	C	5°50'±45' (5.83±0.75) ^{(*)3} 5°47'±45' (5.78±0.75) ^{(*)4}	5°32'±45' (5.53±0.75) ^{(*)3} 5°28'±45' (5.47±0.75) ^{(*)4}	-	-
	D	39°15'±2° (39.25±2) ^{(*)3, *)5} 39°16'±2° (39.27±2) ^{(*)3, *)6} 39°15'±2° (39.25±2) ^{(*)4}	39°43'±2° (39.25±2) ^{(*)3, *)5} 39°44'±2° (39.73±2) ^{(*)3, *)6} 39°43'±2° (39.25±2) ^{(*)4}	-	-
	H-I mm (in.)	2±2 (0.08±0.08) ^(*)	2.4±3 (0.09 ±0.11)	1.1±3 (0.04 ±0.11)	
	km/h (mph)				
	195/65R15 91H	160 (100)	250 (2.5, 36)	250 (2.5, 36)	
	195/65R15 91V	160 (100)	220 (2.2, 32)	220 (2.2, 32)	
	205/55R16 91V	160 (100)	250 (2.5, 36) ^{(*)3} 270 (2.7, 40) ^{(*)4}	250 (2.5, 36) ^{(*)3} 270 (2.7, 40) ^{(*)4}	250 (2.5, 36)
kPa (kgf/cm ² or bar, psi)		220 (2.2, 32) ^{(*)3} 240 (2.4, 35) ^{(*)4}	220 (2.2, 32)	220 (2.2, 32) ^{(*)3} 240 (2.4, 35) ^{(*)4}	220 (2.2, 32)

*1 : for Sedan *2 : for Hatchback *3 : 1ND-TV *4 : 1AD-FTV *5 : Tire size: 195/65R15 *6 : Tire size: 205/55R16

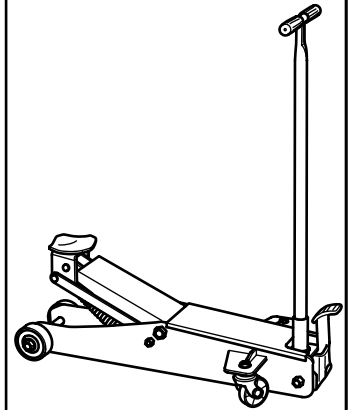
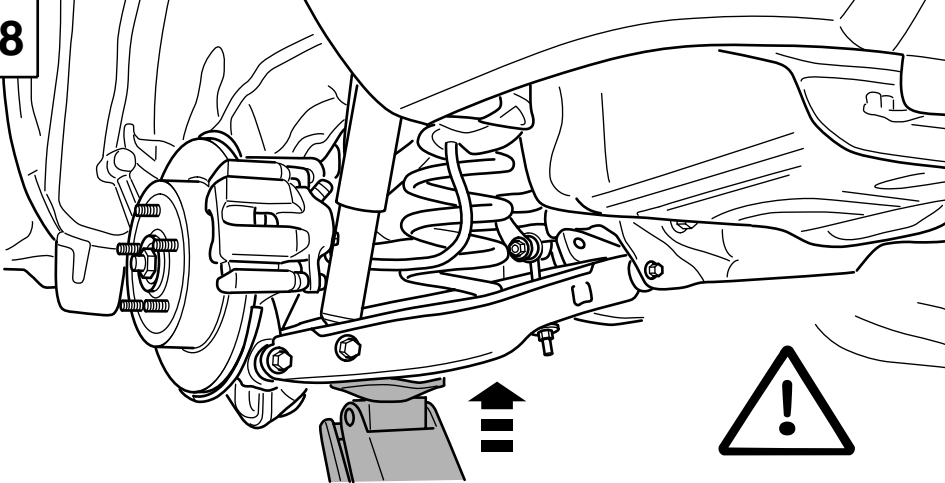
57



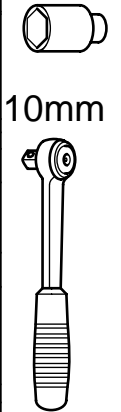
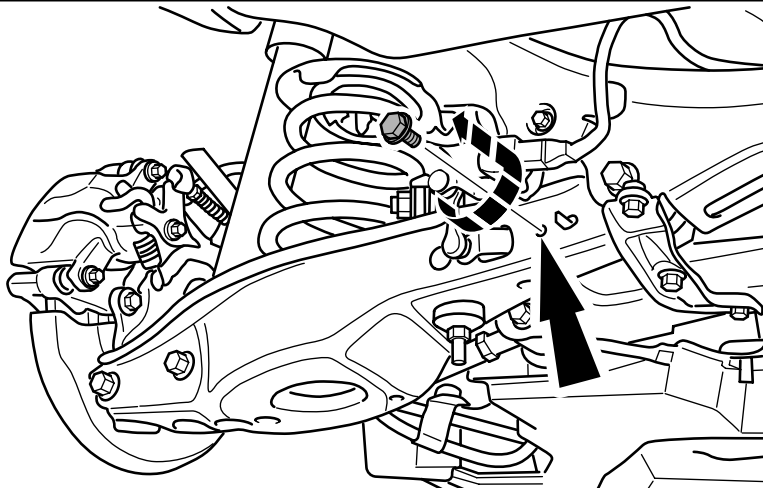
21mm



58

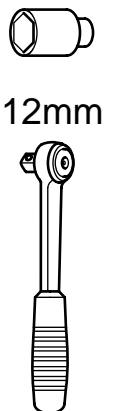
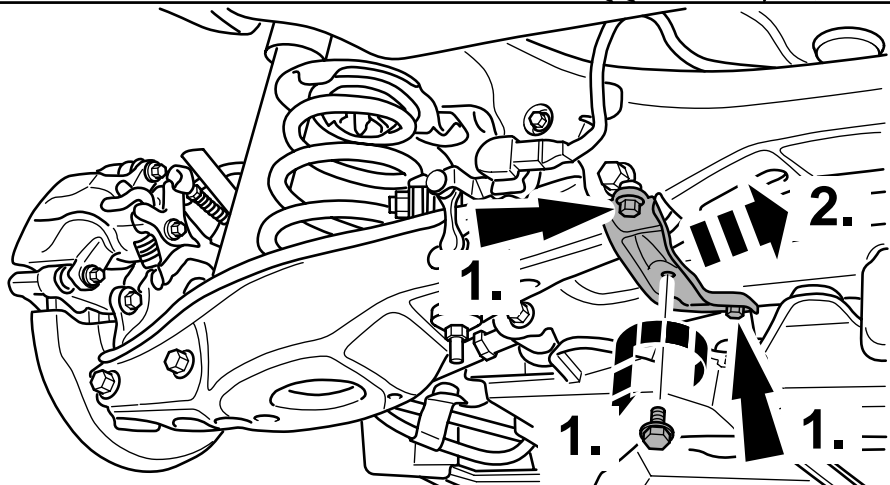


59



10mm

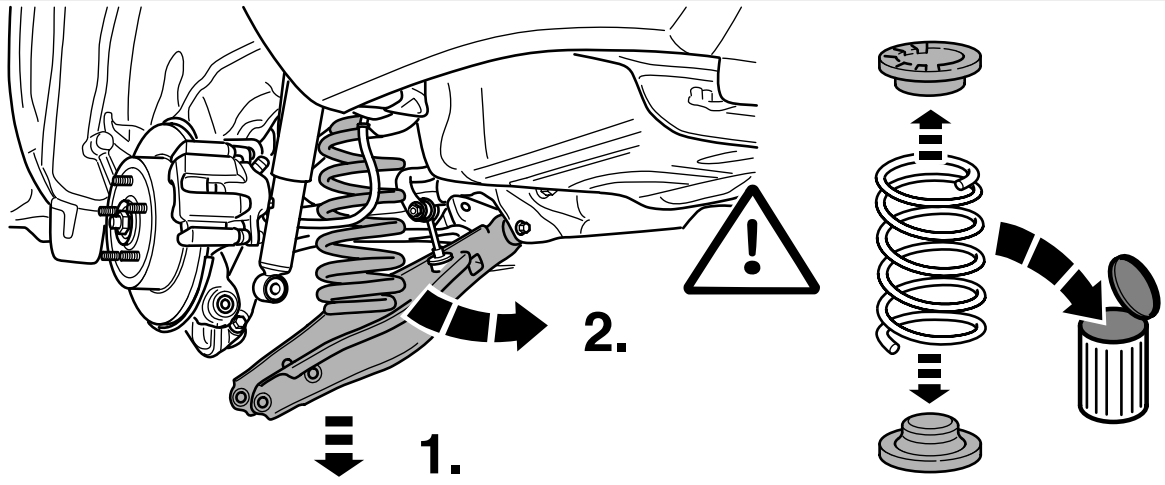
60



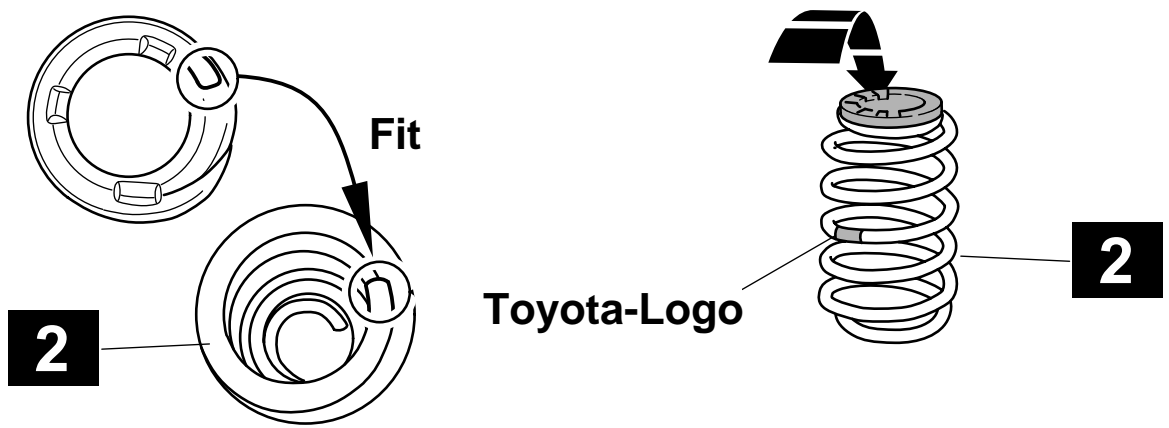
12mm

<p>61</p>		<p>14mm</p> <p>10mm</p>
<p>62</p>		<p>17mm</p>
<p>63</p>		<p>17mm</p>
<p>64</p>		

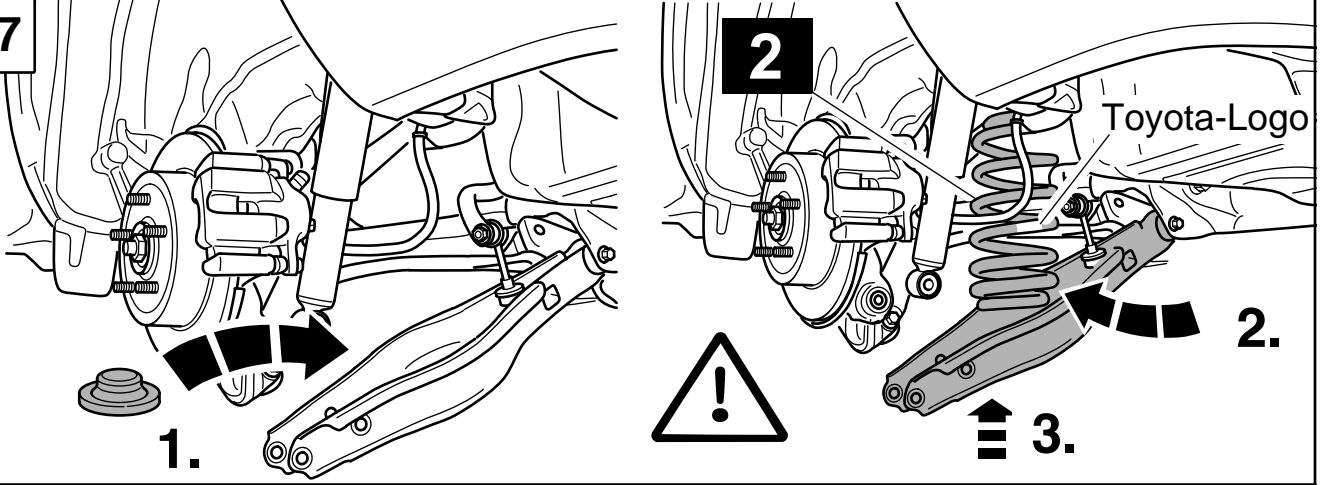
65



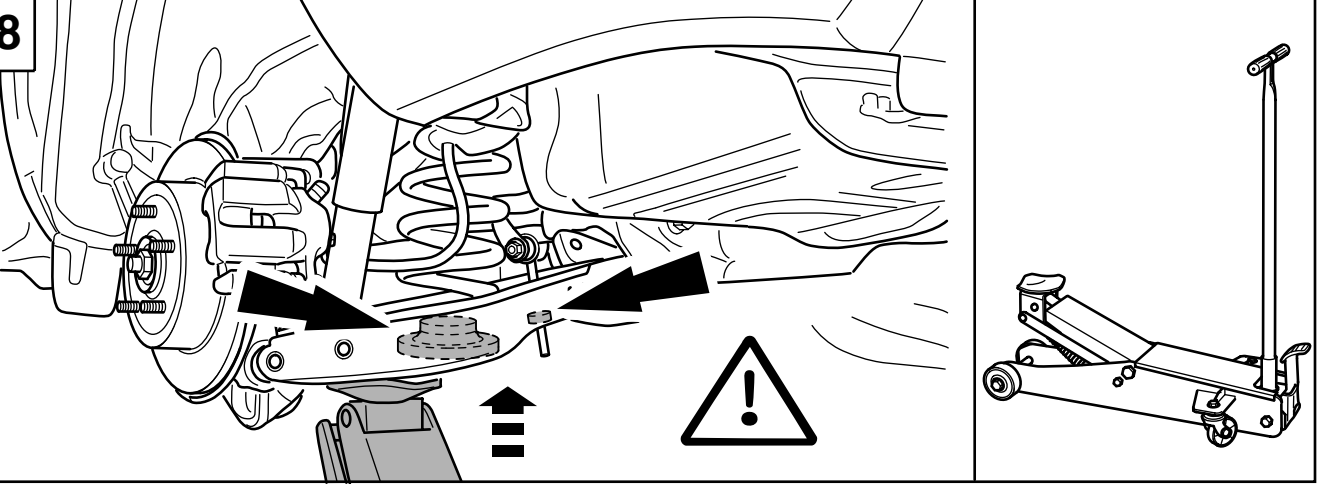
66



67



68



69

17mm

90Nm

70

17mm

90Nm

71

14mm

10mm

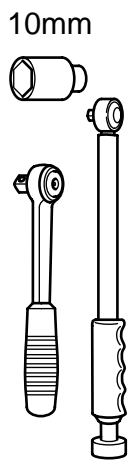
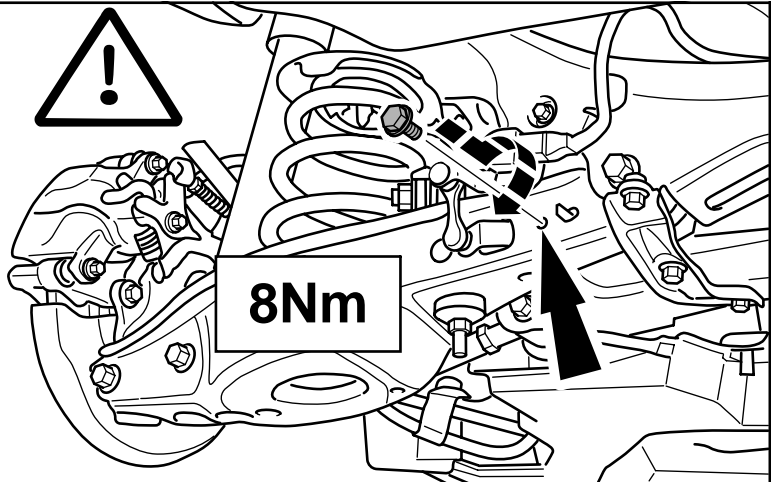
30Nm

72

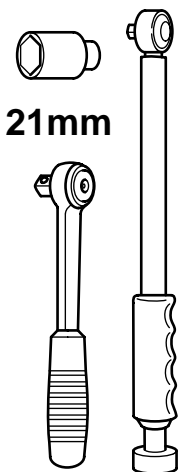
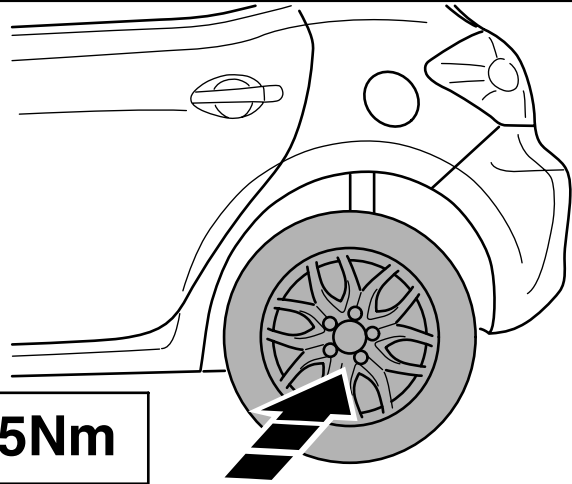
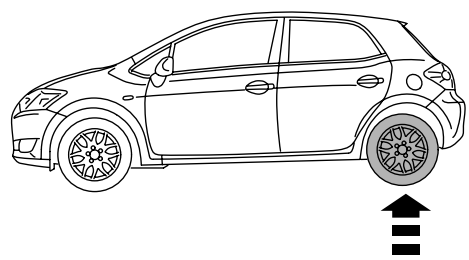
29Nm

12mm

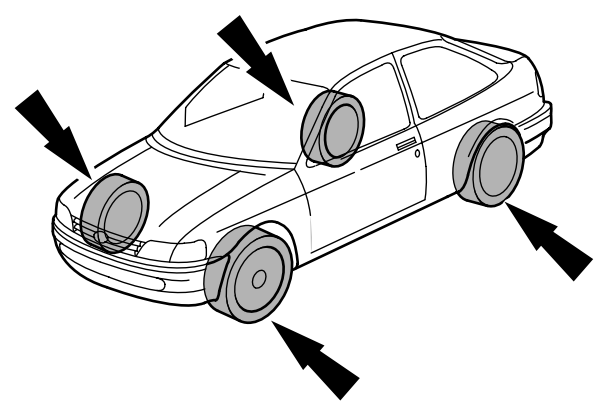
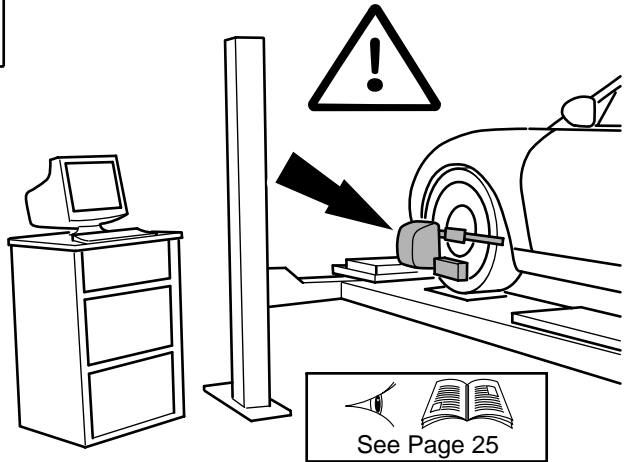
73



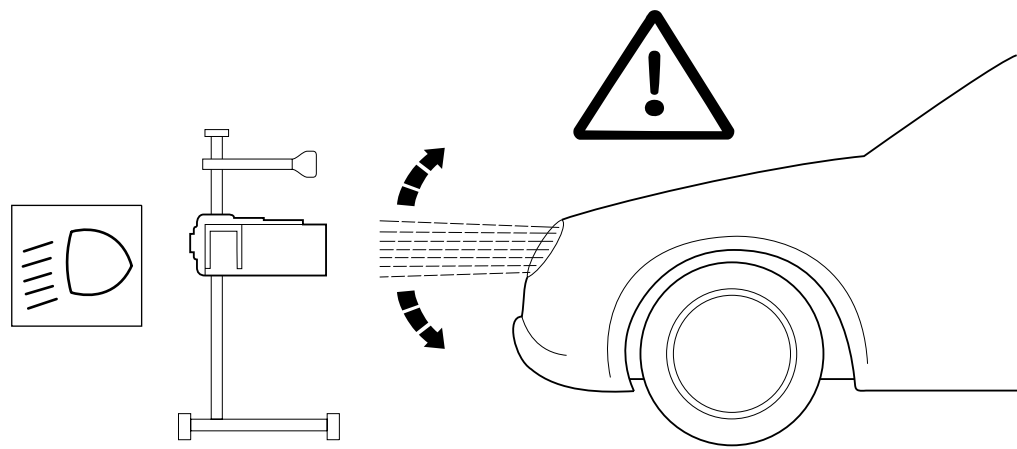
74



75



76



COROLLA / AURIS

Diesel

NDE150
ADE150,157 **Oct.'06**

	NDE, ADE			
 N-m (kgf·cm, ft.·lbf)	103 (1050, 76)			
	NDE, ADE			
 mm (in.)	30 (1.18)			
	Normal package	Rough road package	Normal package	Rough road package
A	^{*6} $-0^{\circ}12' \pm 0.45'$ (-0.20° ± 0.75°) ^{*7} $-0^{\circ}13' \pm 0.45'$ (-0.22° ± 0.75°) ^{*8} $-0^{\circ}14' \pm 0.45'$ (-0.23° ± 0.75°)	^{*12} $-0^{\circ}04' \pm 0.45'$ (-0.07° ± 0.75°) ^{*13} $-0^{\circ}05' \pm 0.45'$ (-0.08° ± 0.75°)	^{*14} $-1^{\circ}26' \pm 0.30'$ (-1.43° ± 0.5°) ^{*15} $-1^{\circ}06' \pm 0.45'$ (-1.10° ± 0.75°)	$-1^{\circ}23' \pm 0.30'$ (-1.38° ± 0.5°)
B	^{*6} $12^{\circ}10'$ (12.17°) ^{*7} $12^{\circ}11'$ (12.18°) ^{*8} $12^{\circ}22'$ (12.37°)	^{*6} $11^{\circ}43'$ (11.72°) ^{*7} $11^{\circ}45'$ (11.75°)	-	-
C	^{*6} $5^{\circ}50' \pm 0.45'$ (5.83° ± 0.75°) ^{*7} $5^{\circ}47' \pm 0.45'$ (5.78° ± 0.75°) ^{*8} $5^{\circ}47' \pm 0.45'$ (5.78° ± 0.75°)	^{*6} $5^{\circ}32' \pm 0.45'$ (5.53° ± 0.75°) ^{*7} $5^{\circ}28' \pm 0.45'$ (5.47° ± 0.75°)	-	-
D	^{*10} $39^{\circ}15' \pm 2'$ (39.25° ± 2°) ^{*11} $39^{\circ}16' \pm 2'$ (39.27° ± 2°) ^{*7} $39^{\circ}15' \pm 2'$ (39.25° ± 2°) ^{*8} $37^{\circ}16' \pm 2'$ (37.27° ± 2°)	^{*10} $39^{\circ}43' \pm 2'$ (39.72° ± 2°) ^{*11} $39^{\circ}44' \pm 2'$ (39.73° ± 2°) ^{*7} $39^{\circ}43' \pm 2'$ (39.72° ± 2°)	-	-
H-I mm (in.)	2 ± 2 (0.08° ± 0.08°)		^{*14} 2.4 ± 0.3 (-0.09 ± 0.11) ^{*15} 2 ± 2 (-0.08 ± 0.08)	1.1 ± 0.3 (0.04 ± 0.11)
	km/h (mph)			
kPa (kgf/cm ² or bar, psi)	 160 (100)	250 (2.5, 36)		
	 160 (100)	220 (2.2, 32)		
	 160 (100)	^{*6} 250(2.5, 36) ^{*7} 270(2.7, 40) ^{*8} 290(2.9, 43)	^{*6,*7} 250(2.5, 36) ^{*8} 260(2.6, 38)	
	 160 (100)	^{*6} 220(2.2, 32) ^{*7} 240(2.4, 35) ^{*8} 250(2.5, 36)	220 (2.2, 32)	
	 160 (100)	290 (2.9, 43)		260 (2.6, 38)
	 160 (100)	250 (2.5, 36)		220 (2.2, 32)

^{*6}: 1ND-TV ^{*7}: 1AD-FTV ^{*8}: 2AD-FHV

^{*10}: 1ND-TV Tire size: 195/65R15 ^{*11}: 1ND-TV Tire size: 205/55R16 ^{*12}: Tire size: 195/65R15 ^{*13}: Tire size: 205/55R16

^{*14}: for Torsion Beam Type Suspension ^{*15}: for Double Wishbone Type Suspension