



**TOYOTA**

ALWAYS A  
BETTER WAY

# Yaris

## Roof Rack - 5 doors

Installation Instructions

Model year: 2011/07, 2014/07, 2017/03

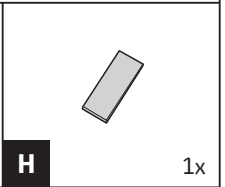
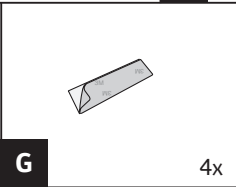
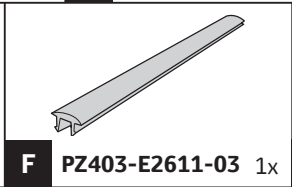
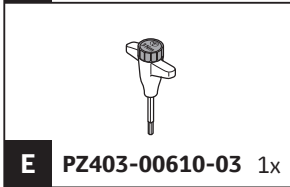
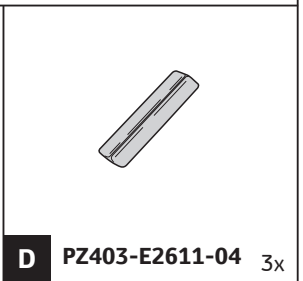
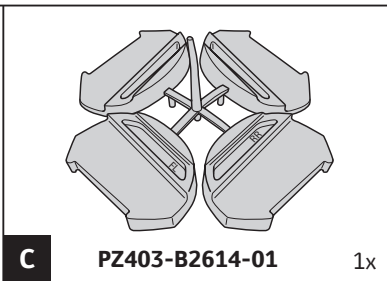
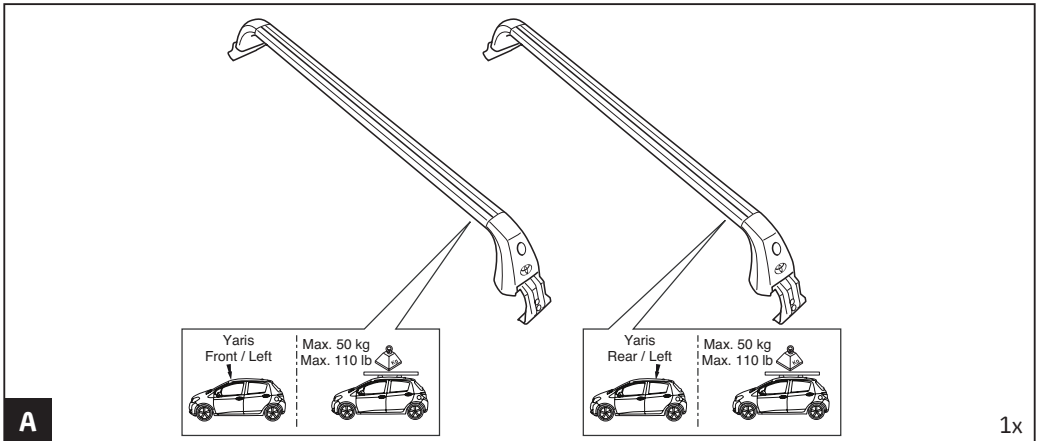
Vehicle code: \*\*P13\*\*-CH\*\*\*W

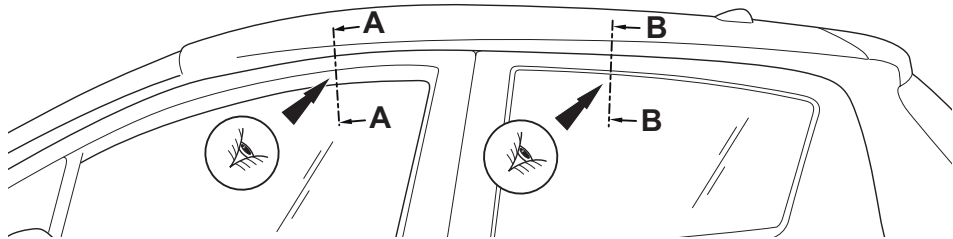
Part number: PZ403-B2614-GA

Manual reference number: AIM 002 174-3

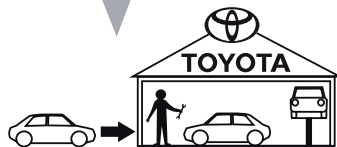
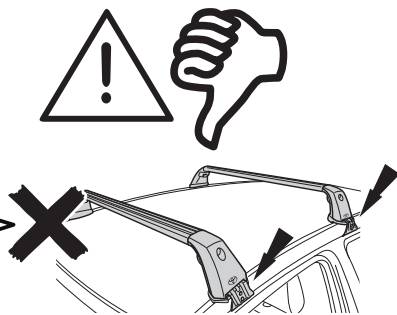
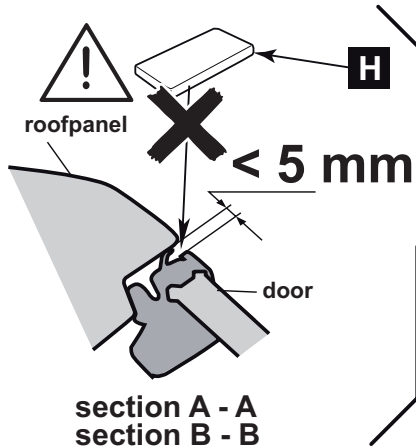
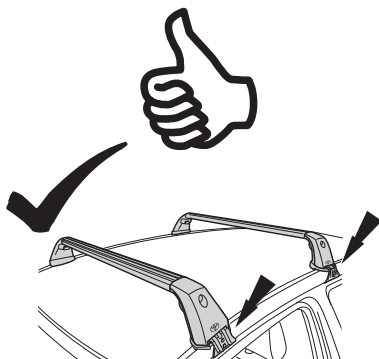
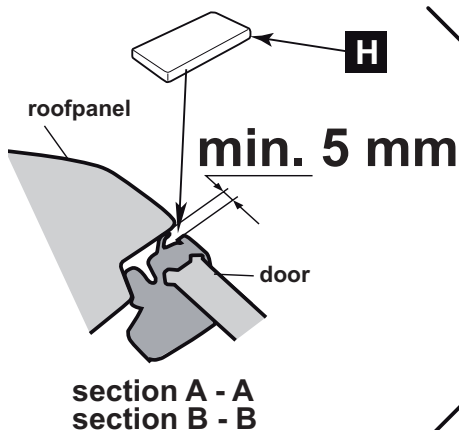
# Revision record

Rev. No.	Date	Page	Picture	Update	New	Deleted steps
1	11-11-11	3	D	X		
2	16-04-14	all	all	X		
3	29-07-16	2-5	Cleaner/5	X	Model Year	Page 11-12



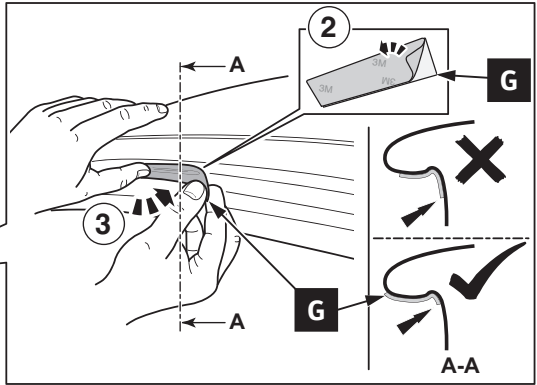
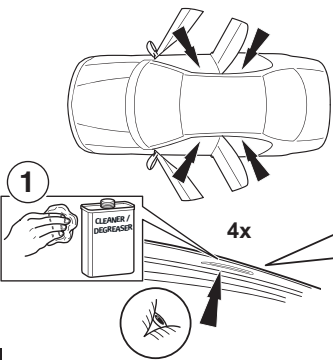
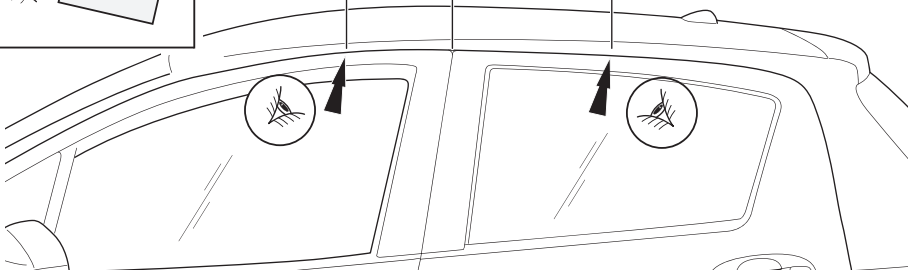


# CHECK GAP!





700 mm  
415 mm



1

Front / Right

Rear / Left



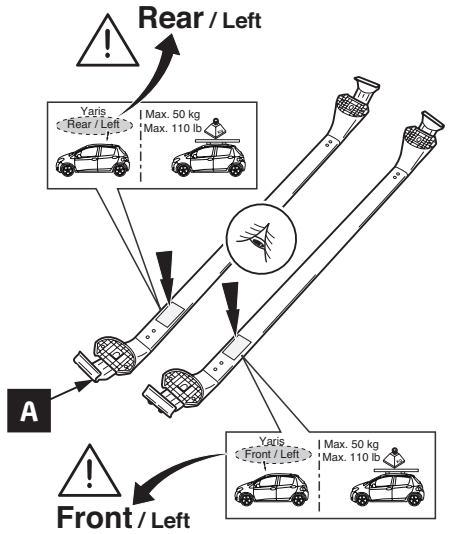
B

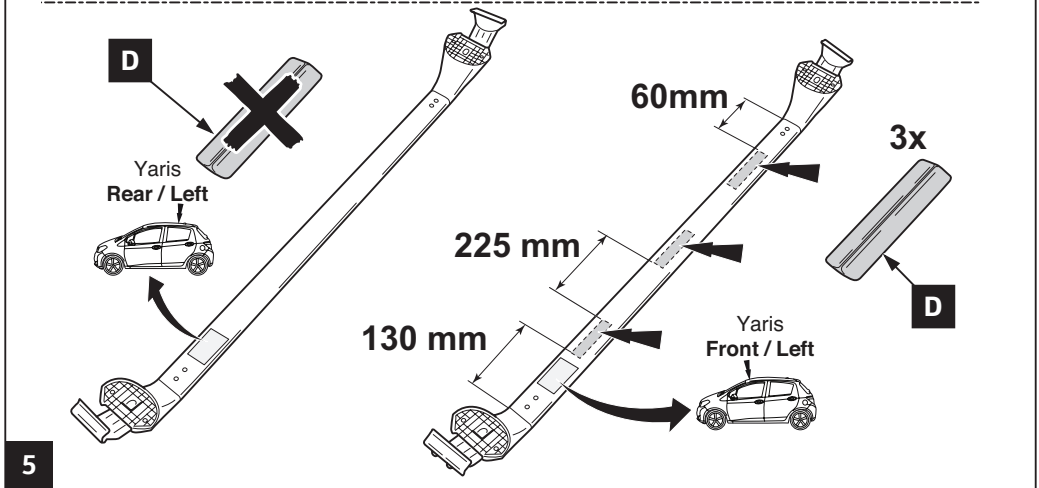
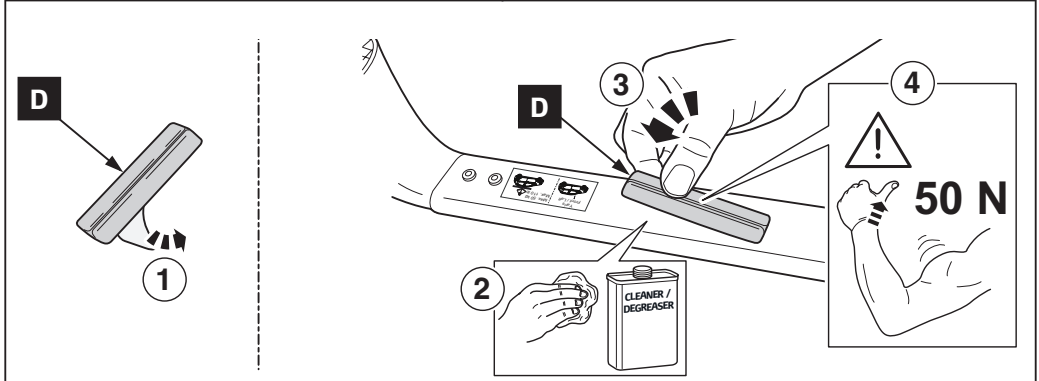
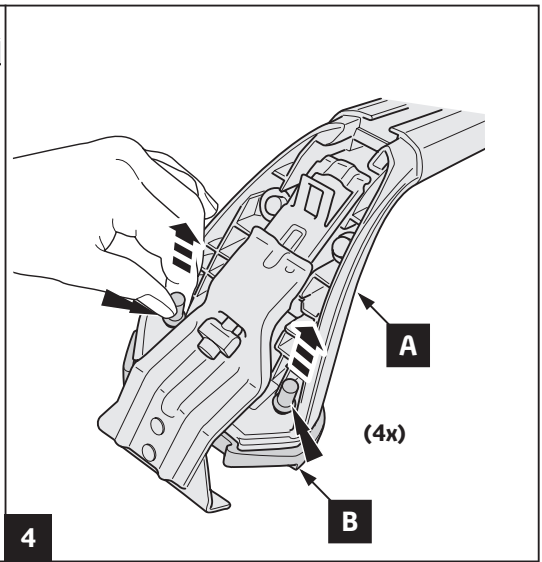
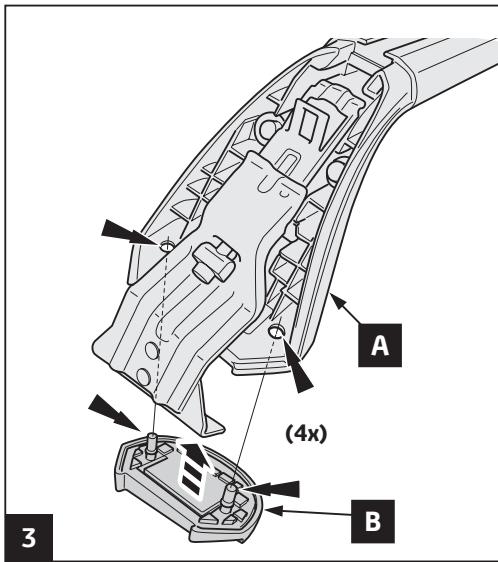
Rear / Right

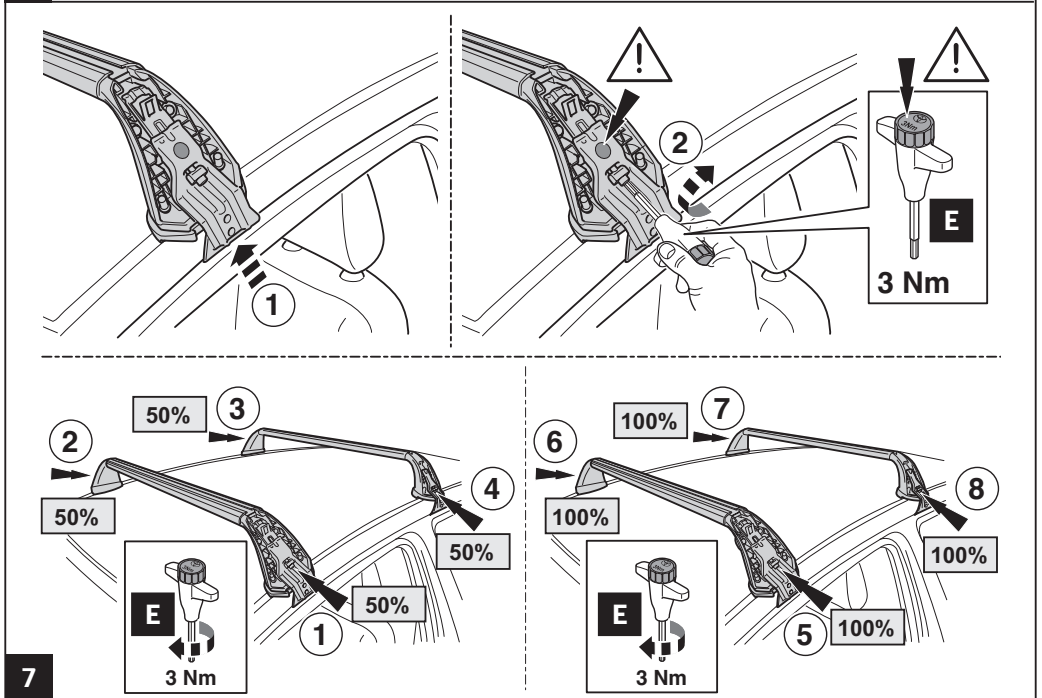
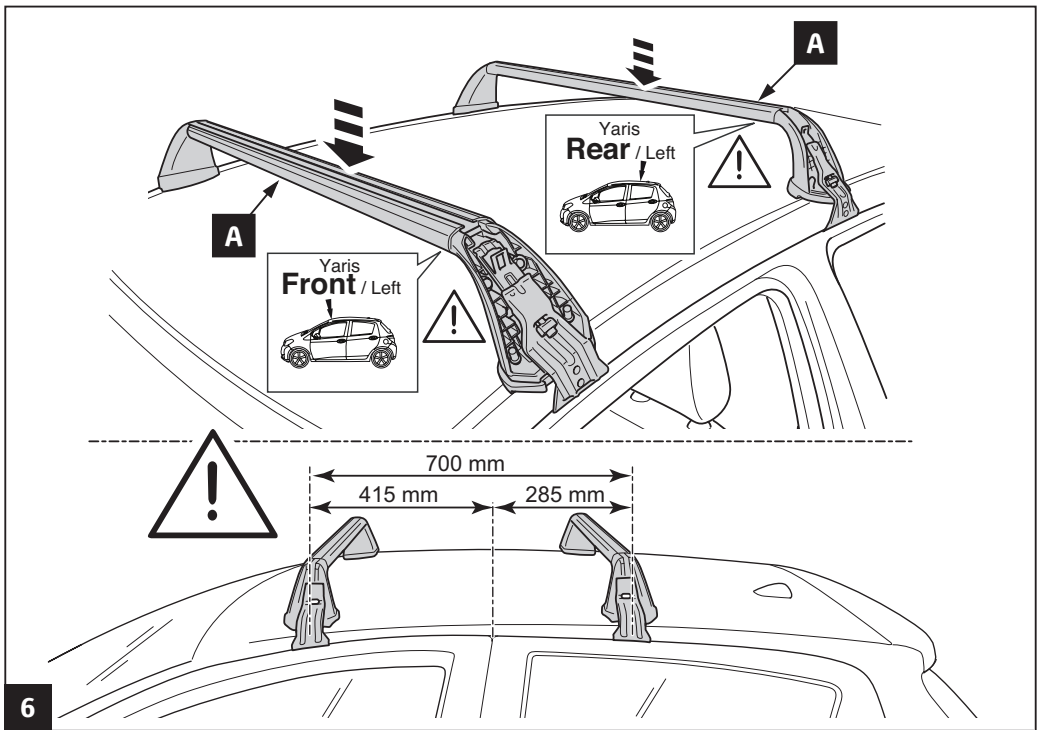
Front / Left

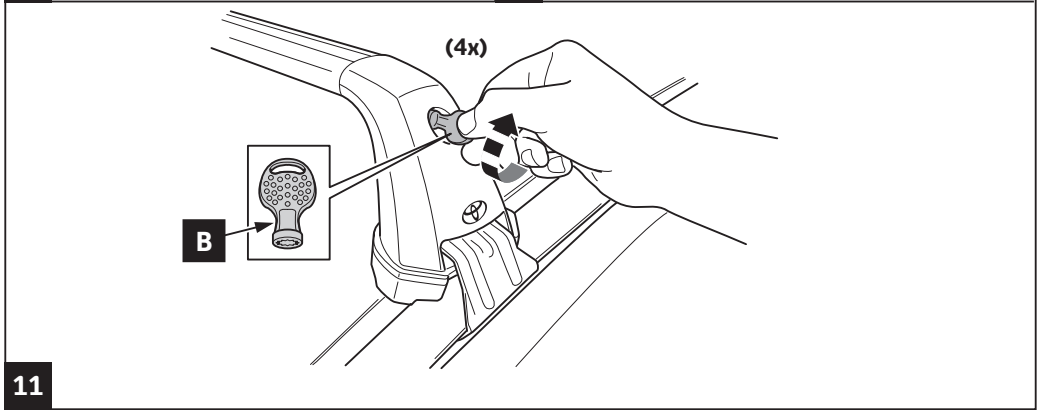
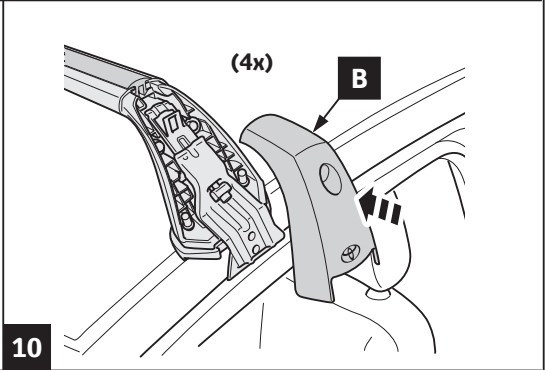
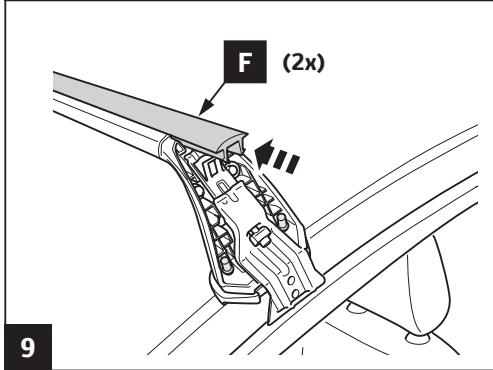
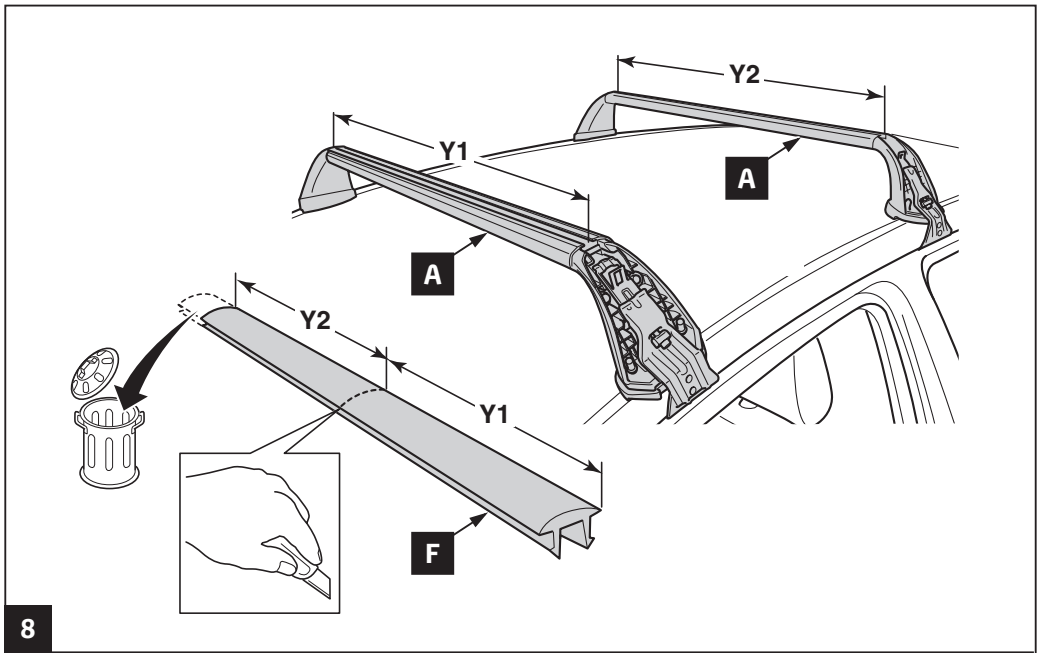


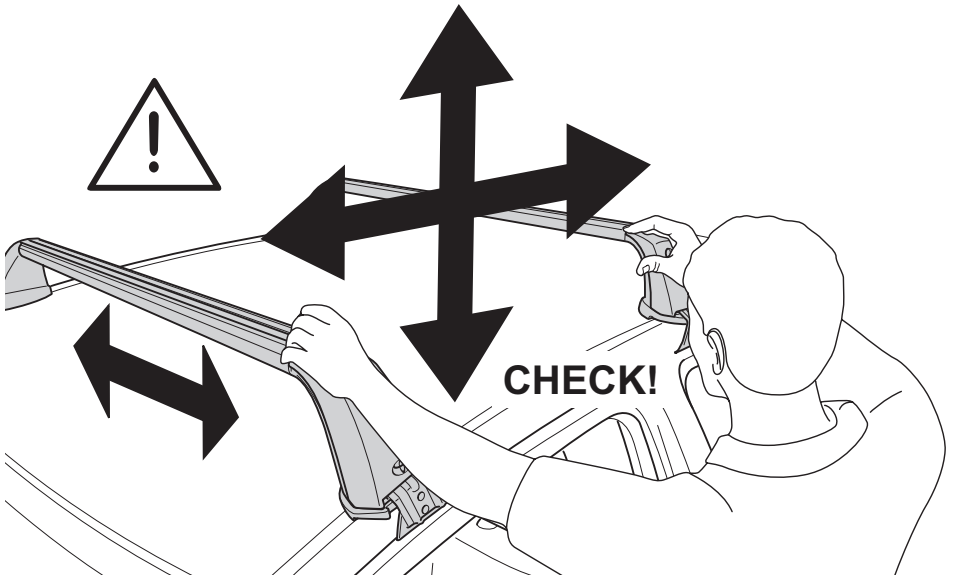
2



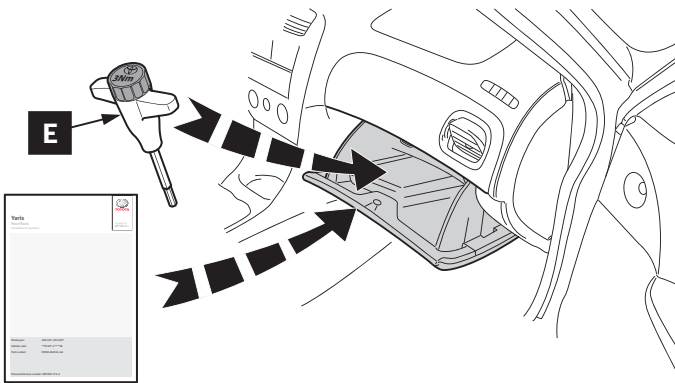






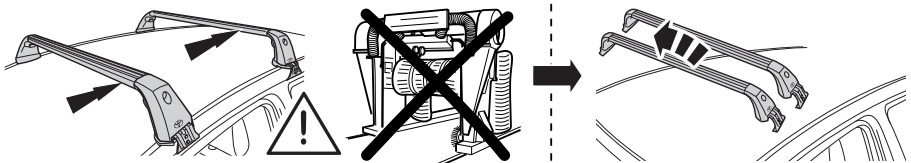
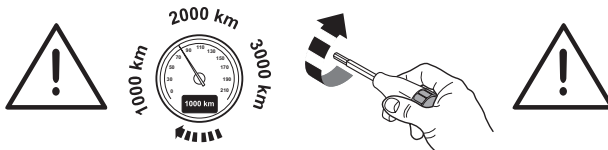
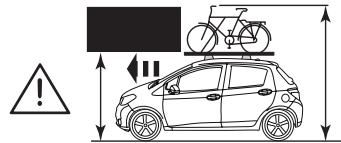
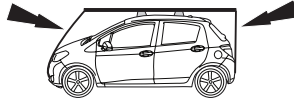
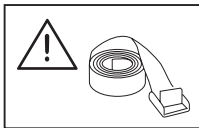
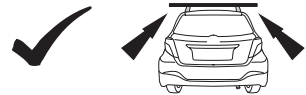
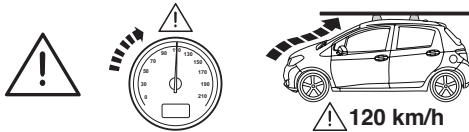
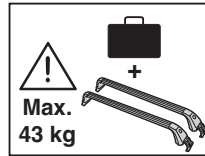
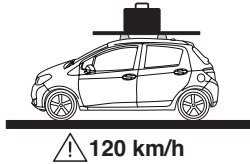
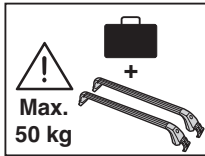
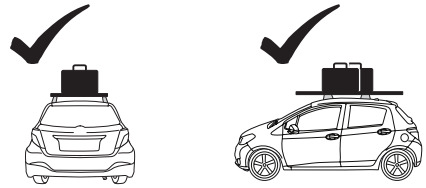
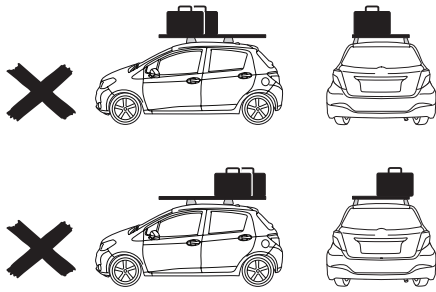


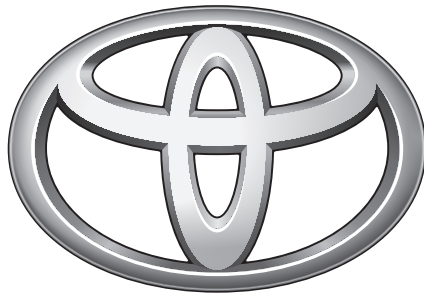
12



13







**TOYOTA**

152917