



TOYOTA

ALWAYS A
BETTER WAY

Yaris

Side Sills (Chrome) 5 dr

Installation Instruction

Model year: 2011/07, 2014/07, 2017/03

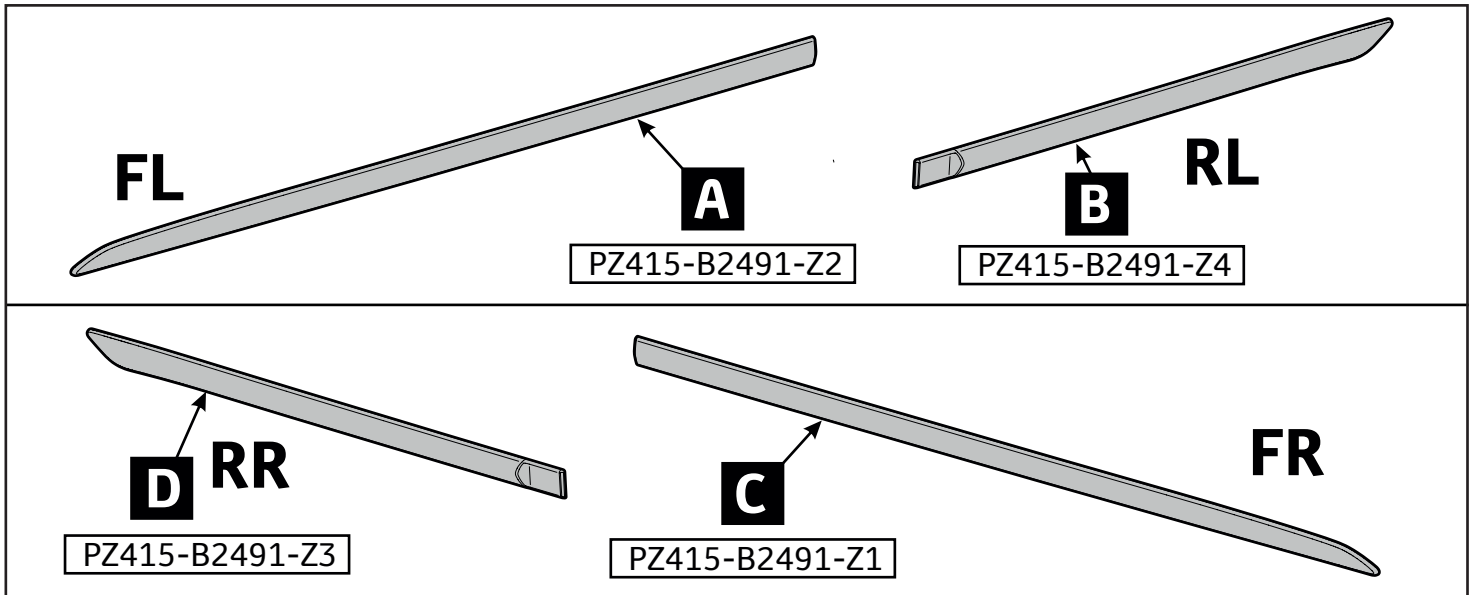
Vehicle code: **P130*-CH***W, **P131*-CH***W

Part number: PZ415-B2491-ZB

Manual reference number: AIM 002 087 - 4

Revision Record

Rev. No.	Date	Page	Picture	Update	New	Deleted steps
1	10-03-14	all	all	all	all	
2	24-01-17	all	all	all	all	
3	27-02-17	various	various	X		
4	18-04-17	2		Part numbers		



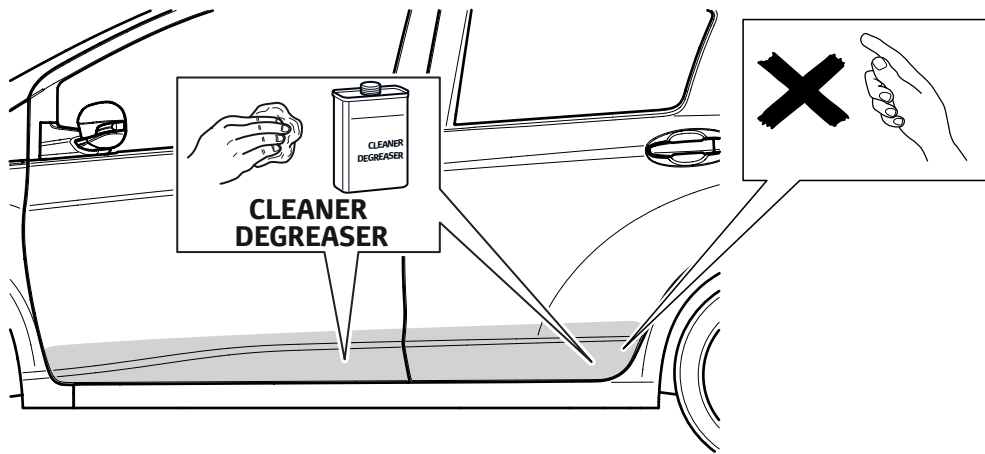
INFO

CLEANER DEGREASER

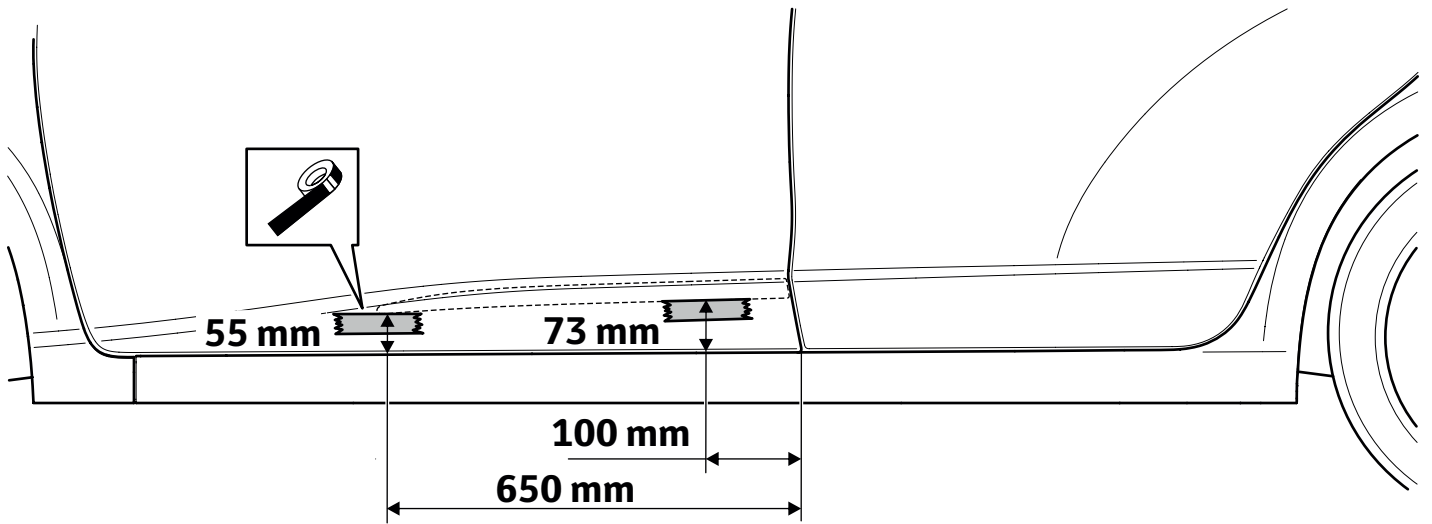
3M adhesion promoter PZ415-00000-00 2x

? °C

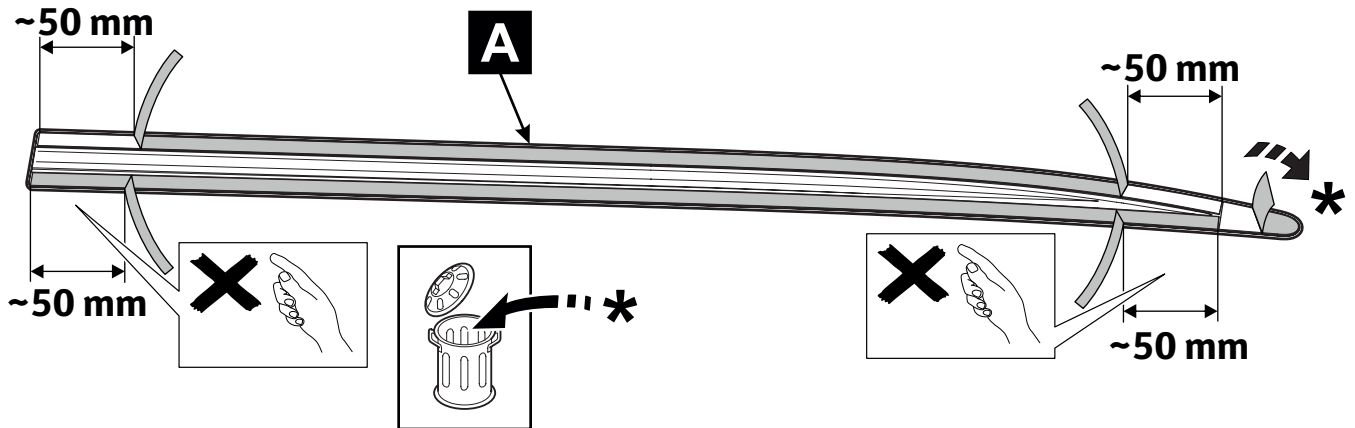
+ °C



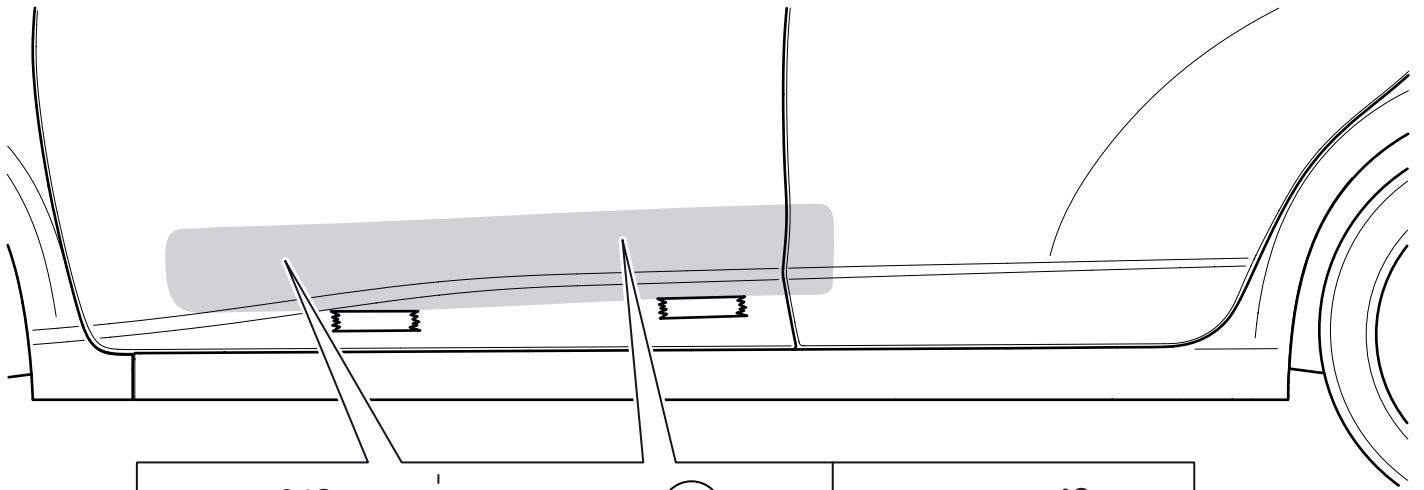
1



2

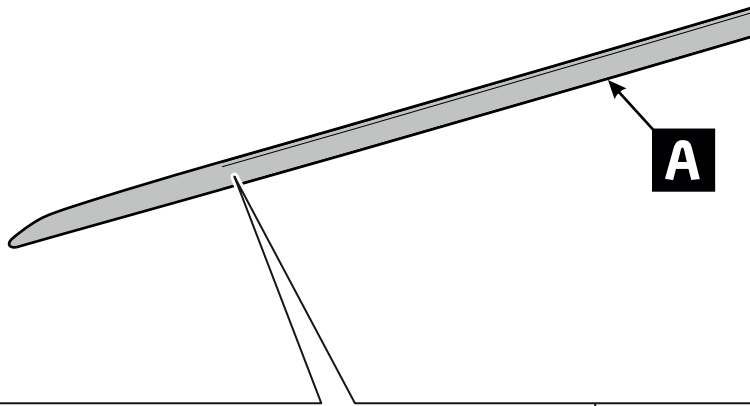


3



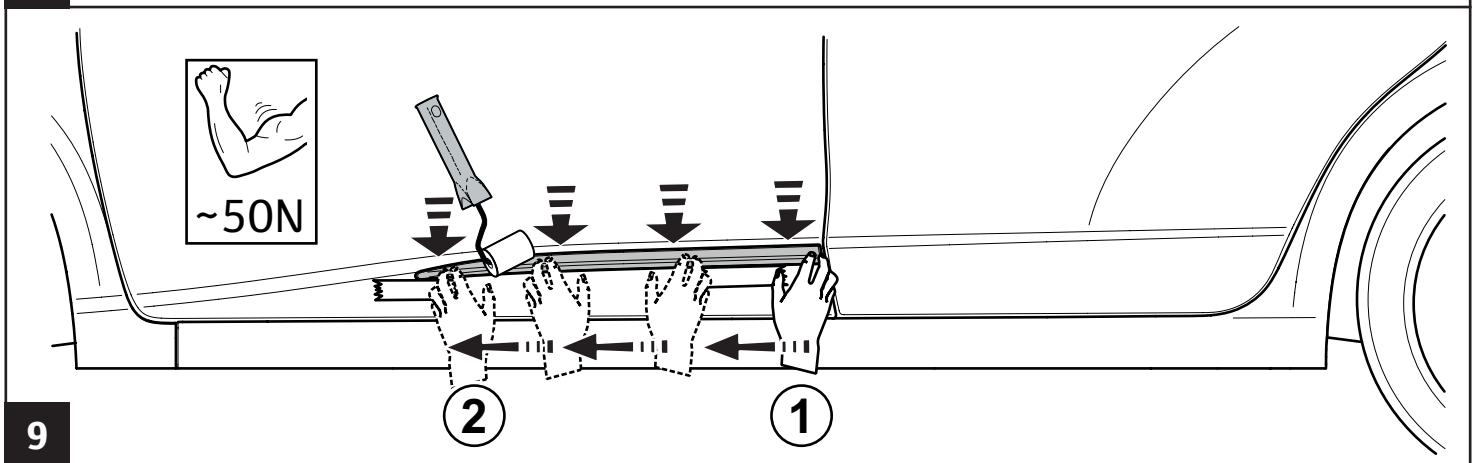
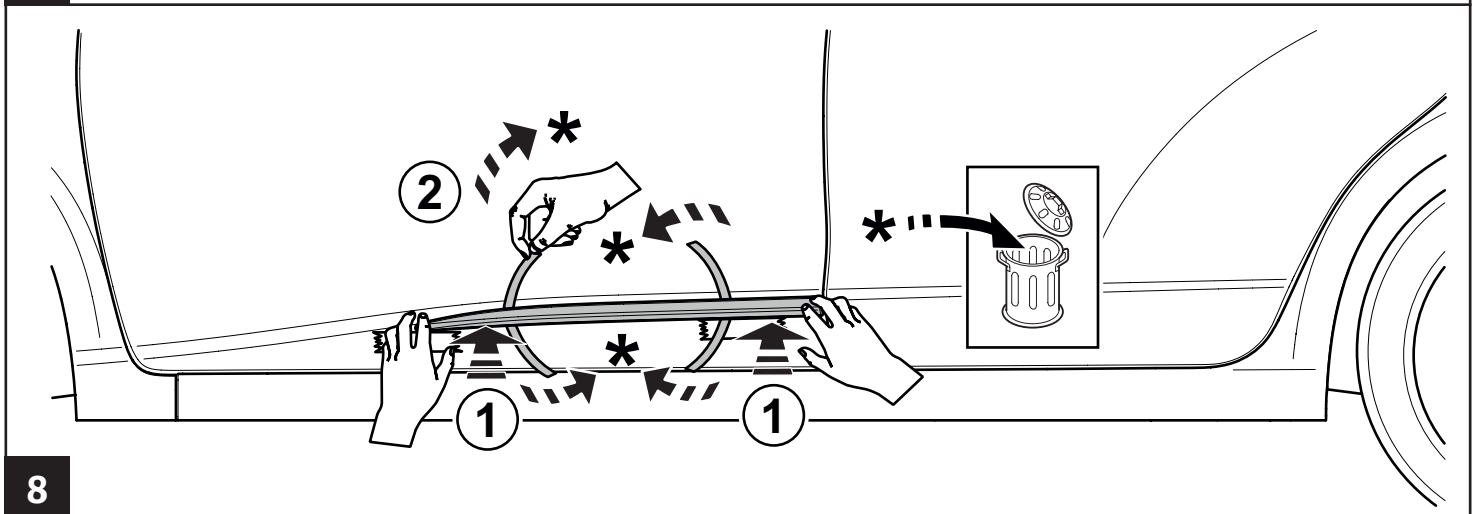
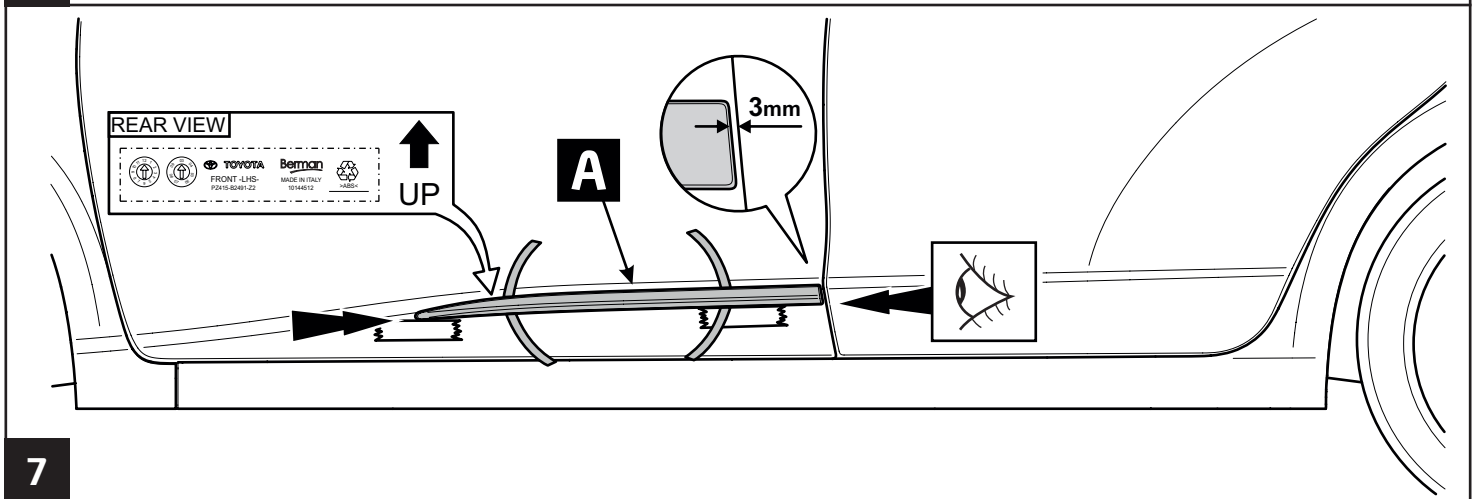
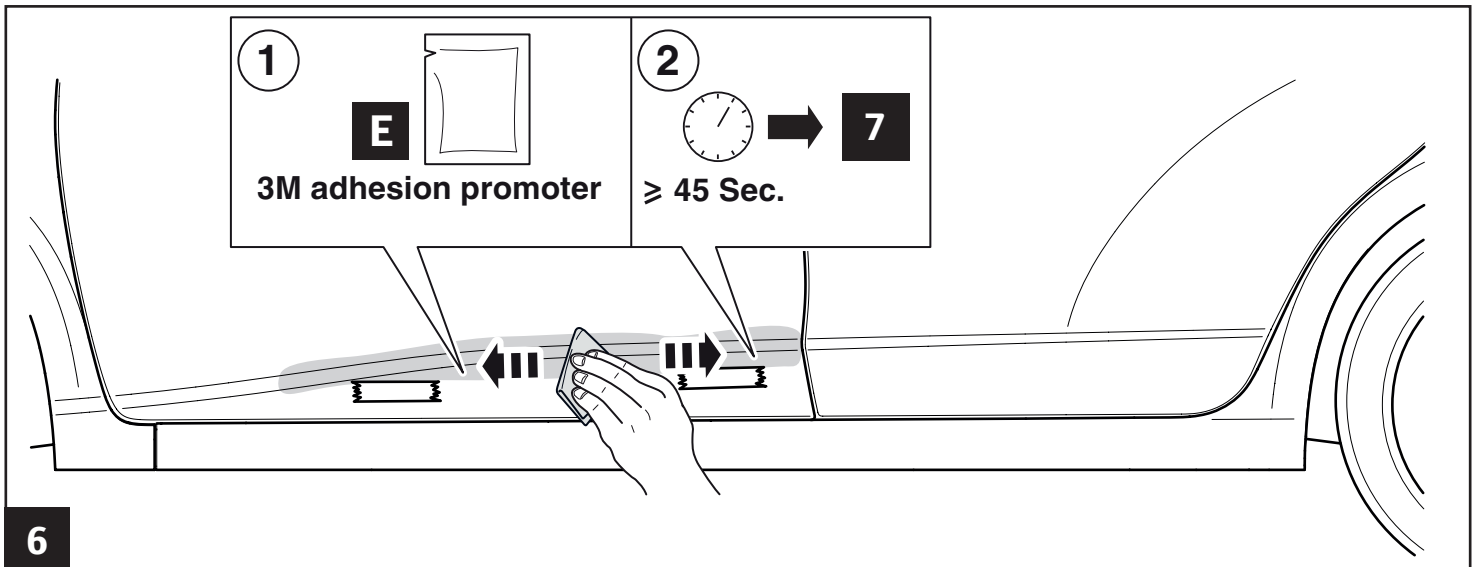
<p>1</p> <p>? °C</p>	<p>< 20°C → 2</p> <p>20°C < 40°C → 5</p>	<p>2</p> <p>+ °C</p>
<p>3</p> <p>? °C</p>	<p>20°C < 40°C → 5</p>	<p>INFO</p>

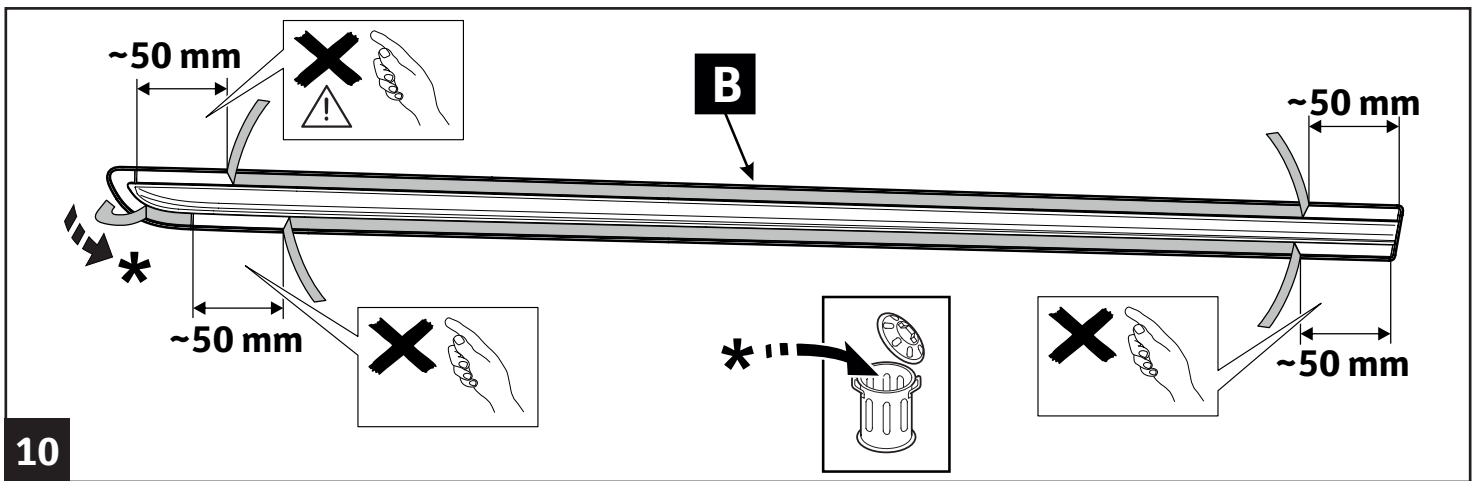
4



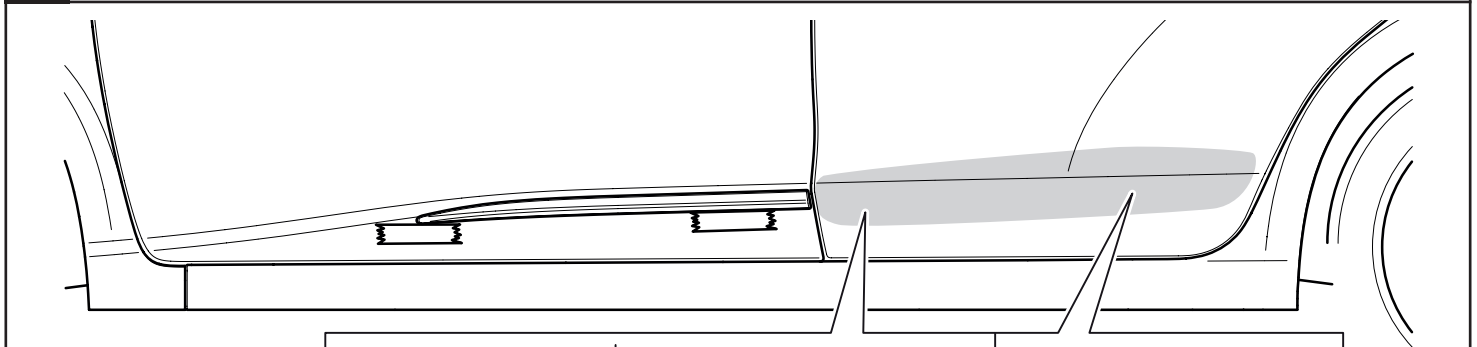
<p>1</p> <p>? °C</p>	<p>< 20°C → 2</p> <p>20°C < 40°C → 6</p>	<p>2</p> <p>+ °C</p>
<p>3</p> <p>? °C</p>	<p>20°C < 40°C → 6</p>	<p>INFO</p>

5





10

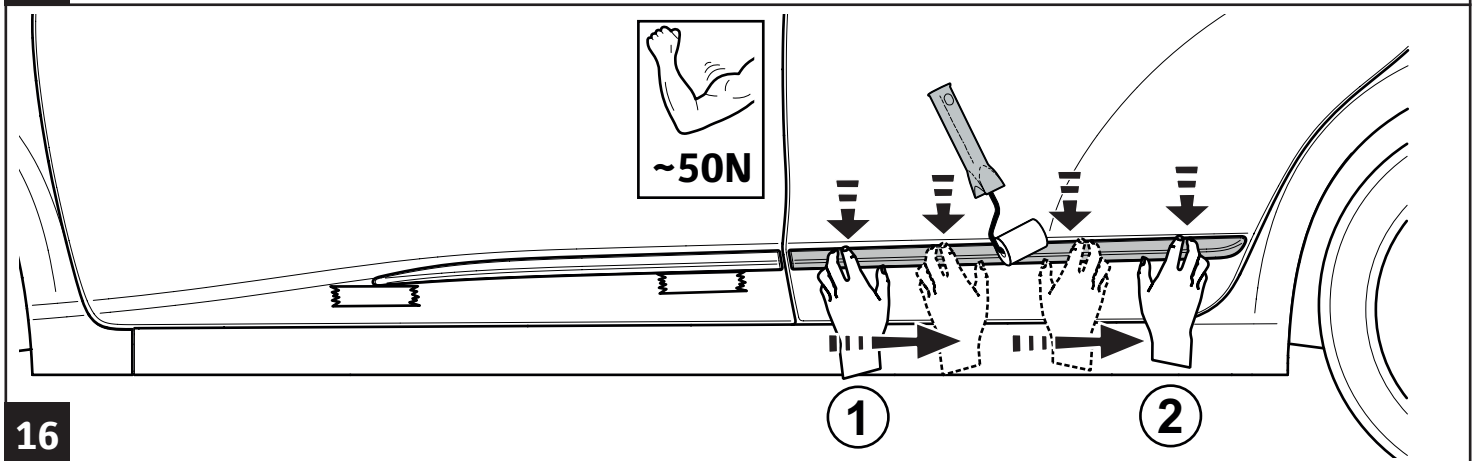
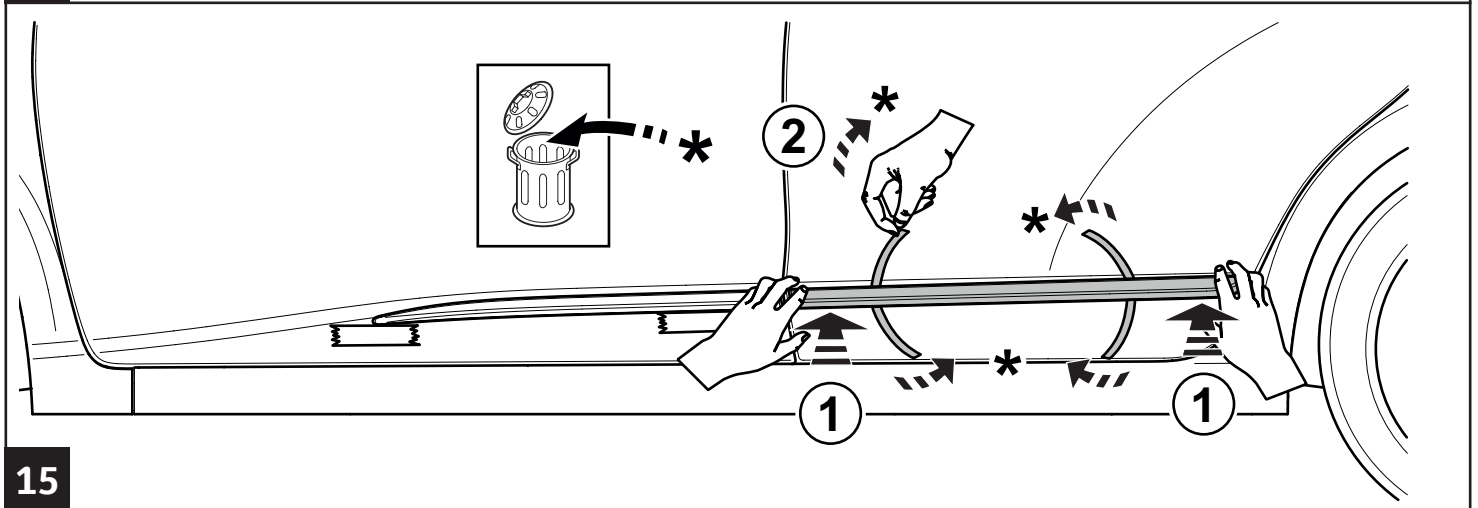
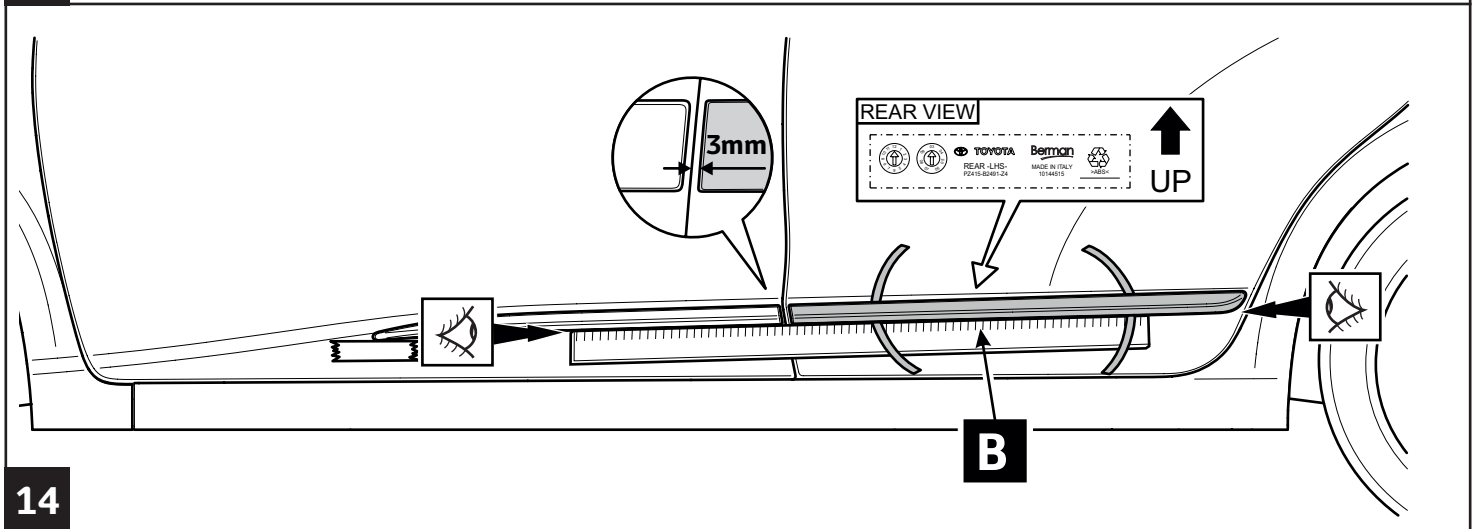
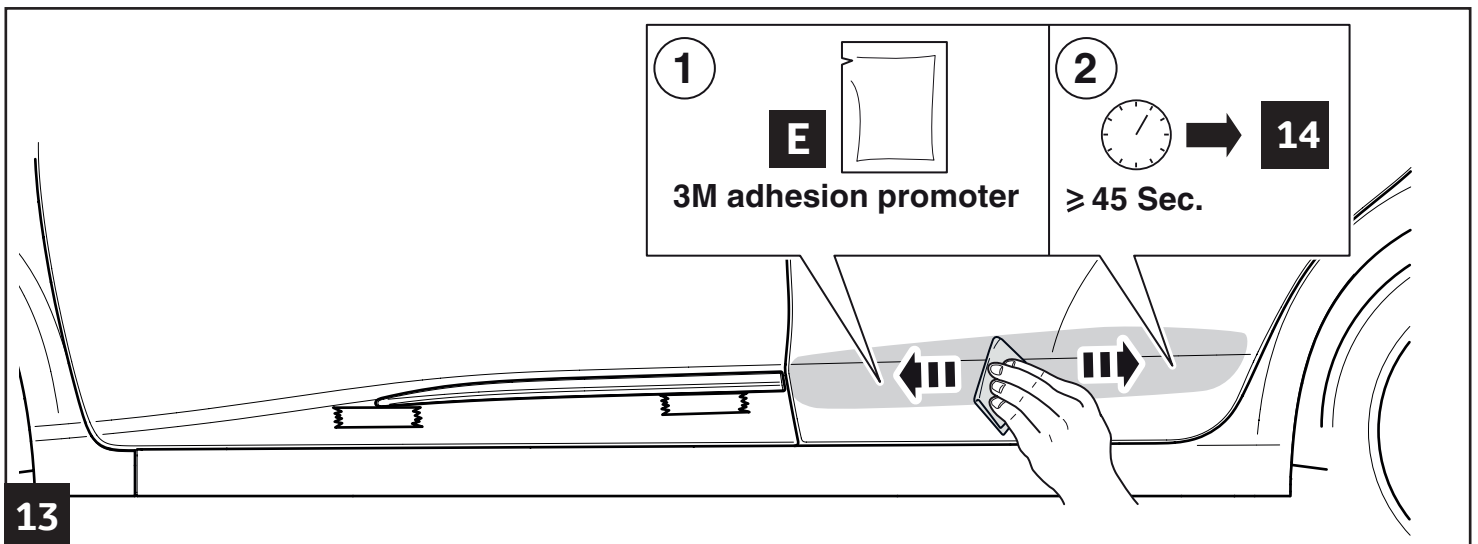


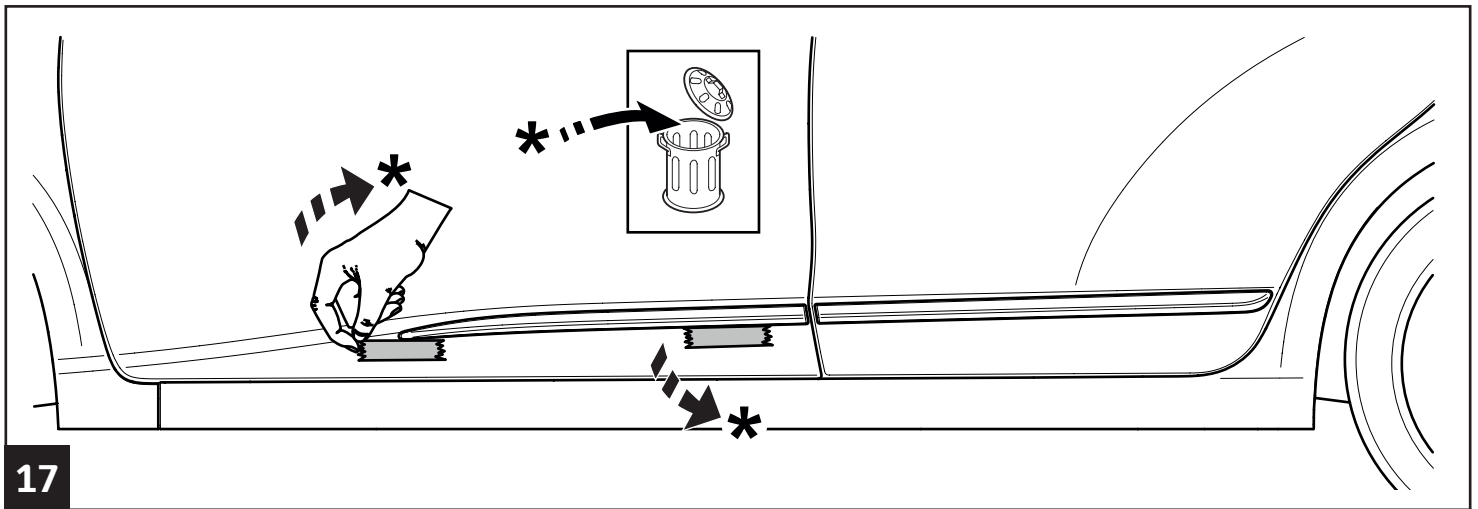
<p>1</p>	<p>$< 20^{\circ}\text{C}$ → 2</p> <p>$20^{\circ}\text{C} < 40^{\circ}\text{C}$ → 12</p>	<p>2</p>
<p>3</p>	<p>$20^{\circ}\text{C} < 40^{\circ}\text{C}$ → 12</p>	<p>INFO</p> <p>11 → 15</p>

11

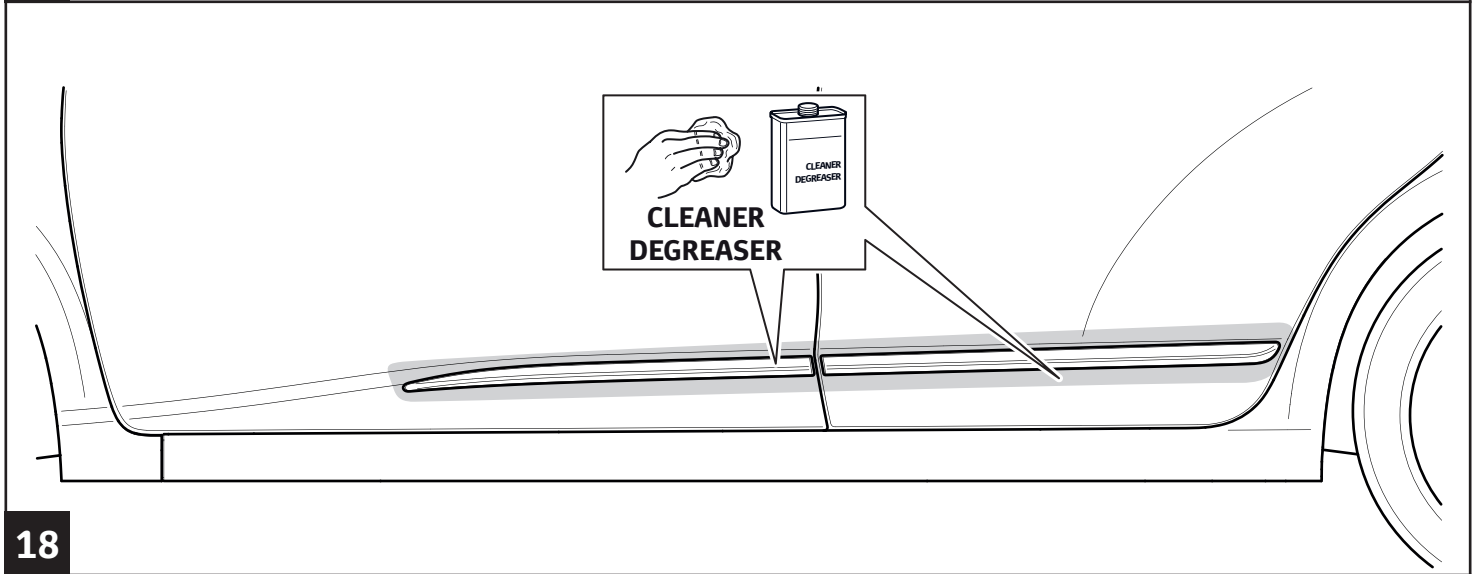
<p>1</p>	<p>$< 20^{\circ}\text{C}$ → 2</p> <p>$20^{\circ}\text{C} < 40^{\circ}\text{C}$ → 13</p>	<p>2</p>
<p>3</p>	<p>$20^{\circ}\text{C} < 40^{\circ}\text{C}$ → 13</p>	<p>INFO</p> <p>12 → 15</p>

12





17



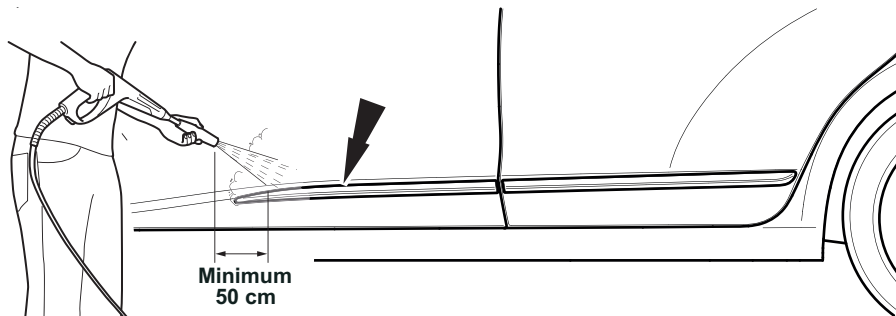
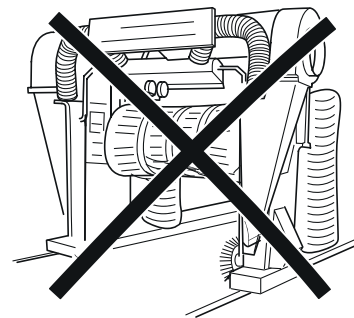
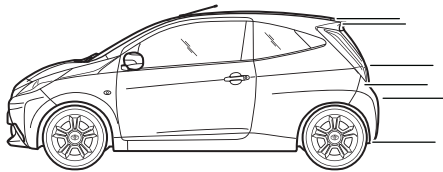
18

RHS = LHS

C D A B

19

INFO



CHECK SHEET

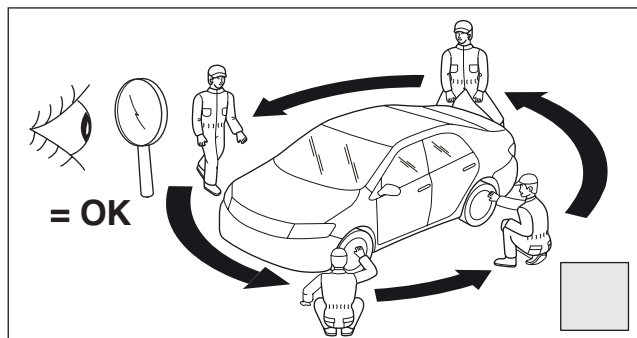
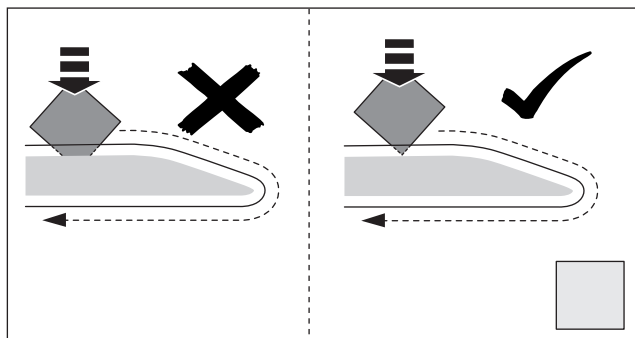
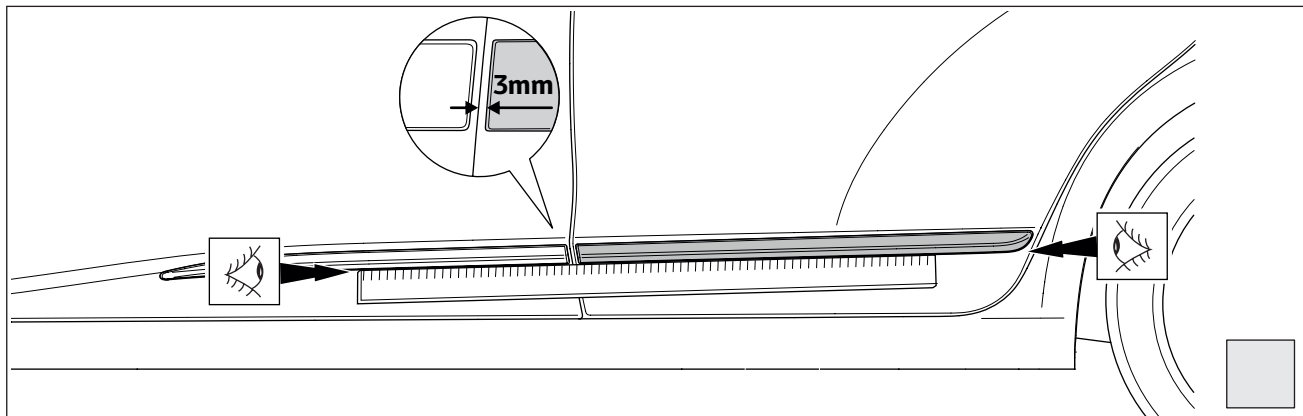
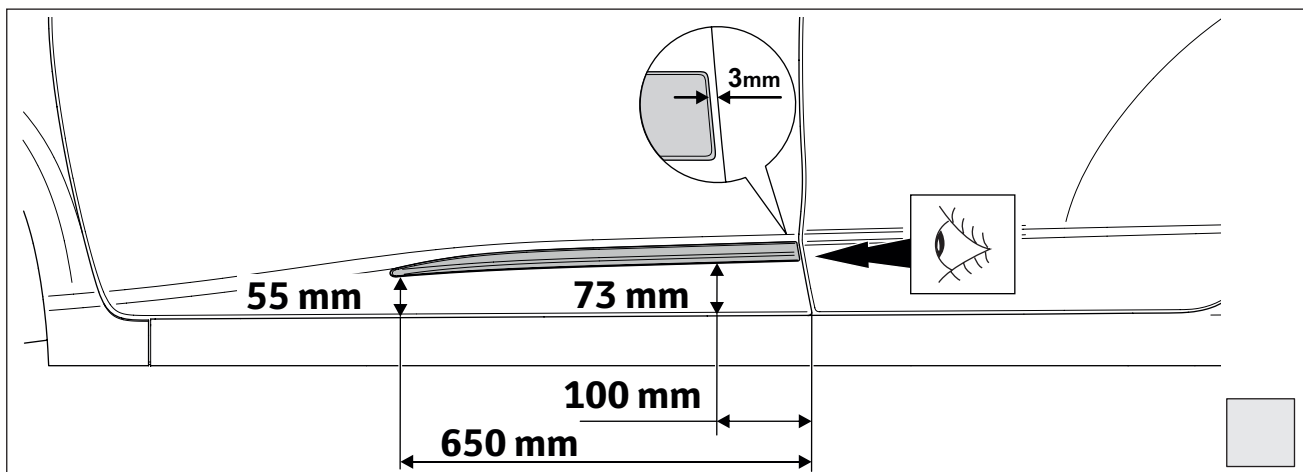
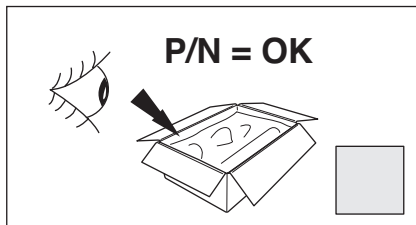


TOYOTA

Model / Year **Yaris 2011/07, 2014/07, 2017/03** Side Sills (Chrome) 5 dr

VIN n°

ALWAYS A BETTER WAY



Installation Date:
 / /

Technician Name & Signature:

Stamp: