



TOYOTA

ALWAYS A
BETTER WAY

Land Cruiser

Mirror cover

Installation Instructions

Model year: 2009/09, 2013/08, 2017/08

Vehicle code: **J15**-G****W

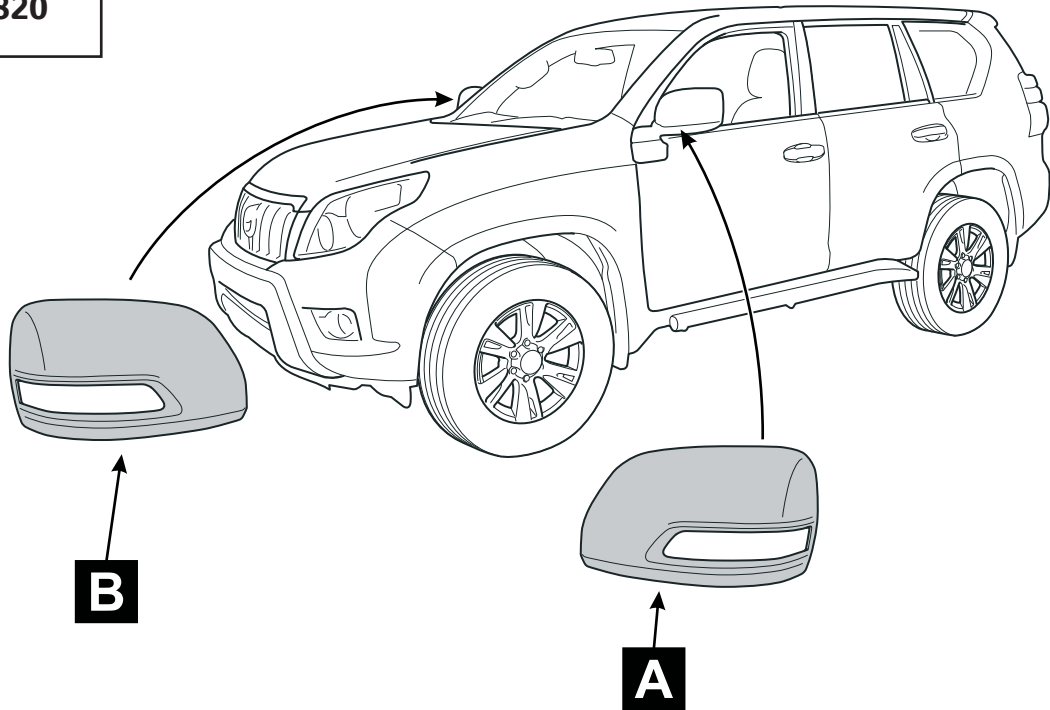
Part number: 08409-60820

Manual reference number: AIM 001 788-2

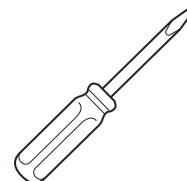
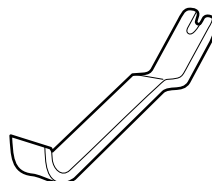
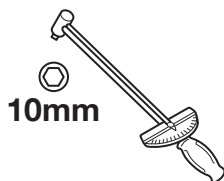
Revision record

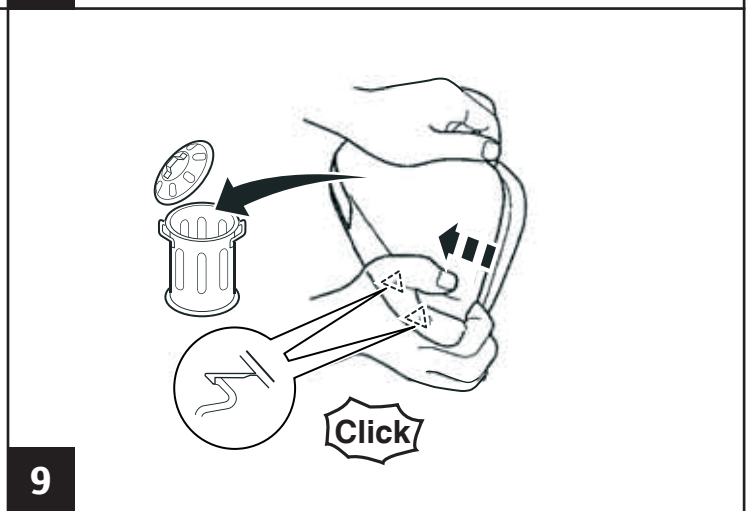
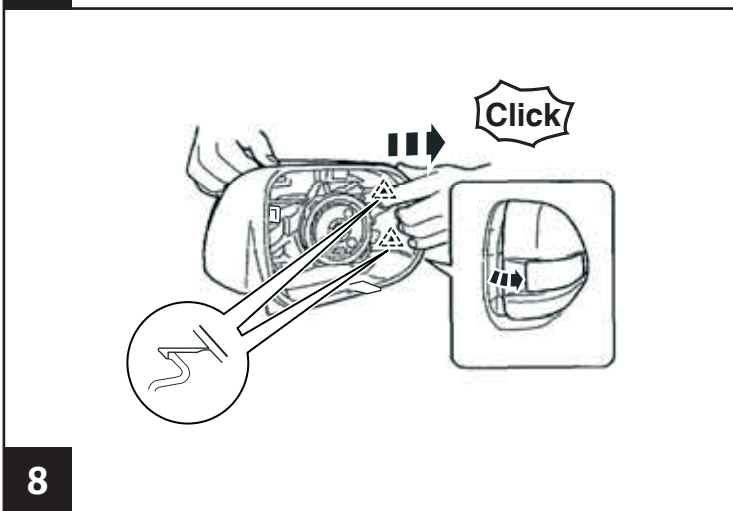
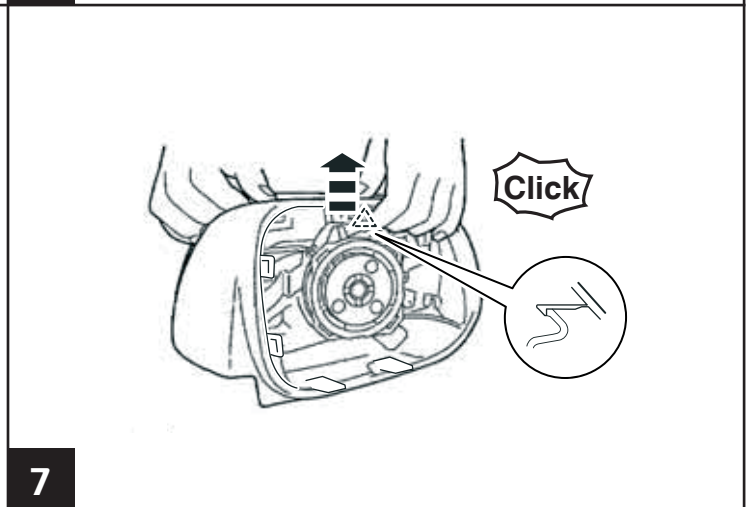
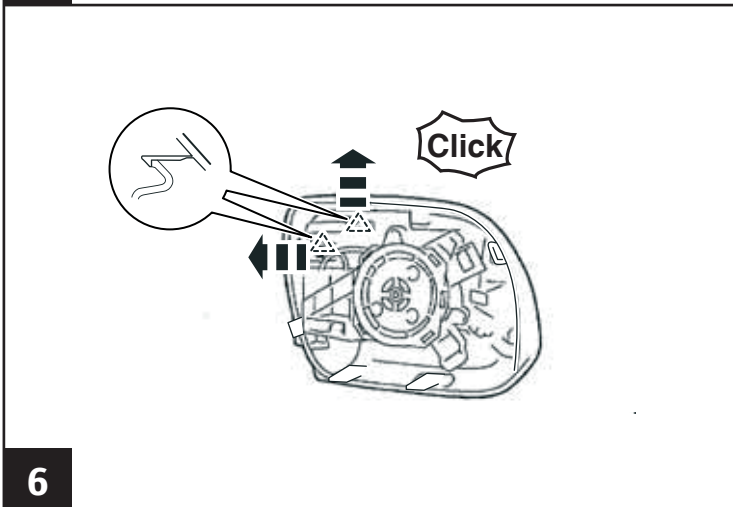
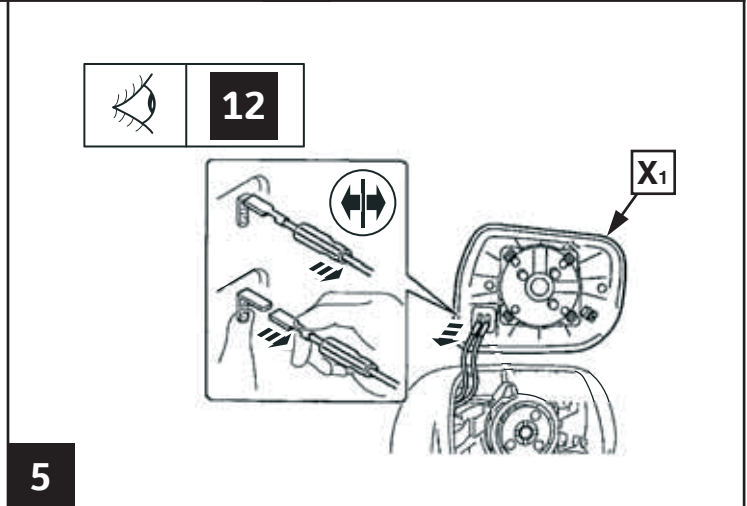
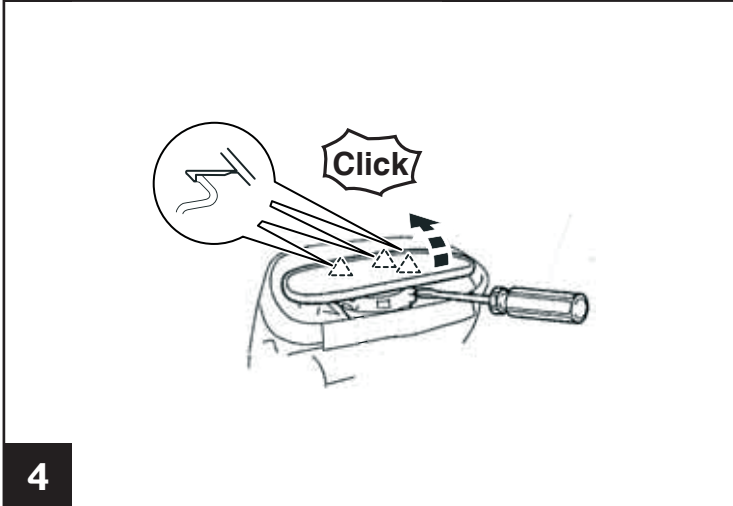
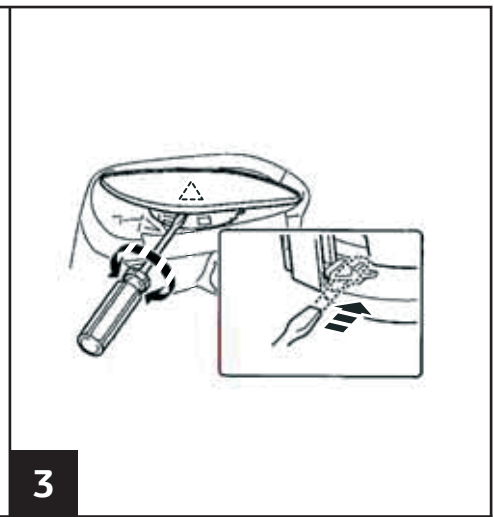
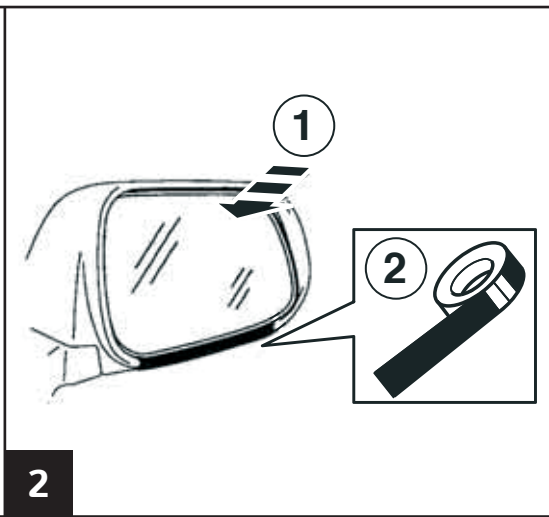
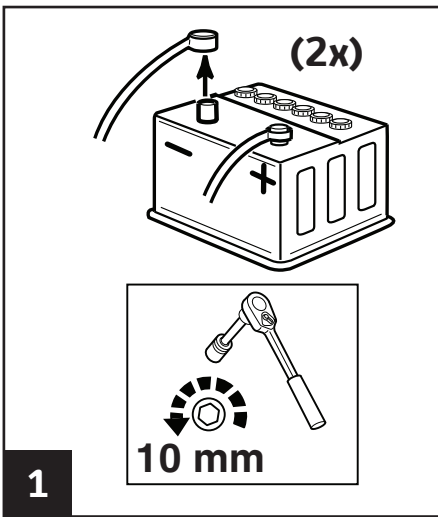
Rev. No.	Date	Page	Picture	Update	New	Deleted steps
1	19/07/2013	1		Model year		
		5	Check Sheet		x	
2	17/03/2017	Various	Various	X		

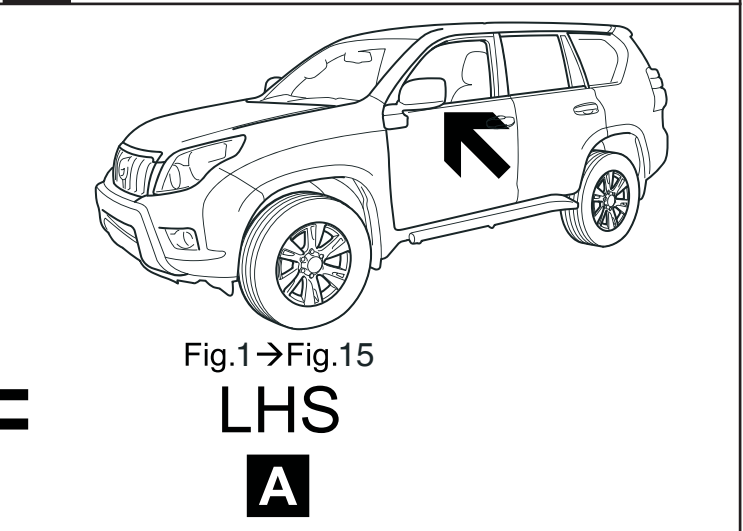
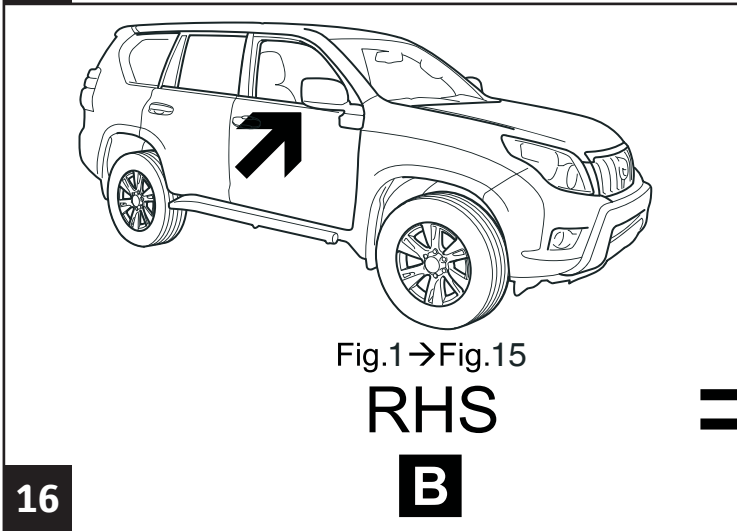
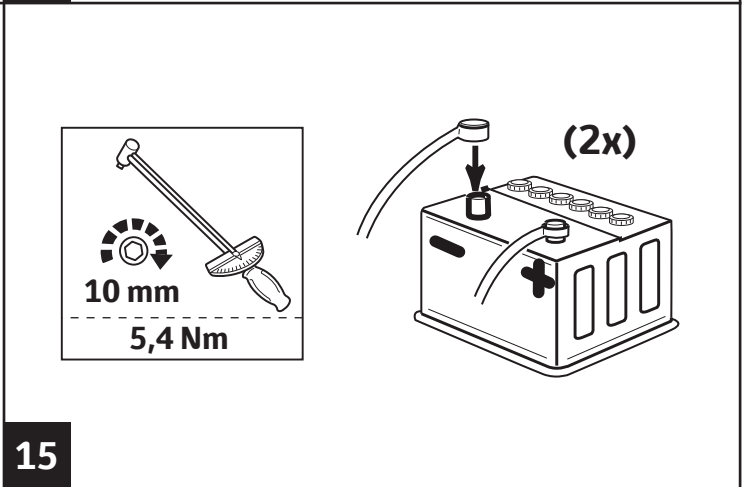
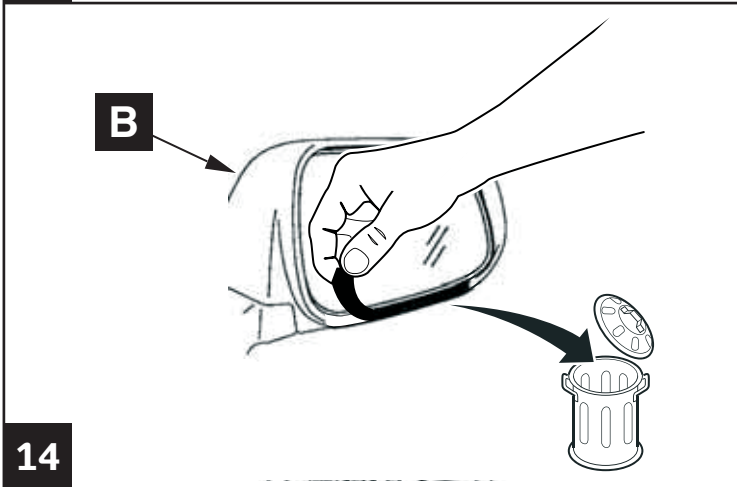
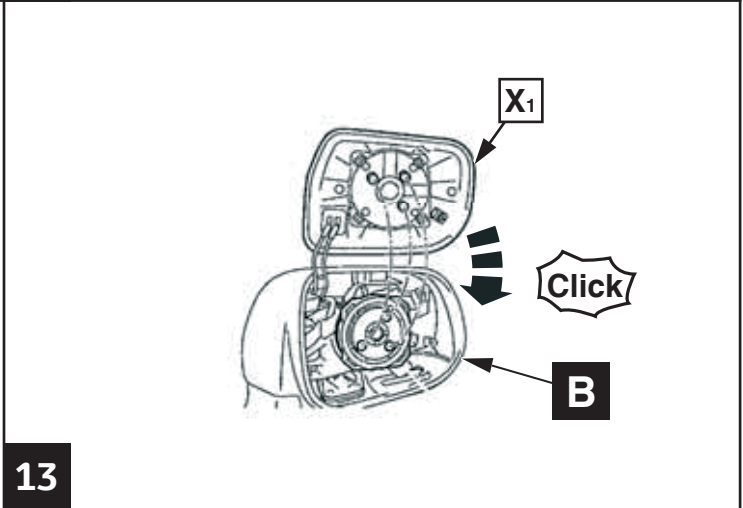
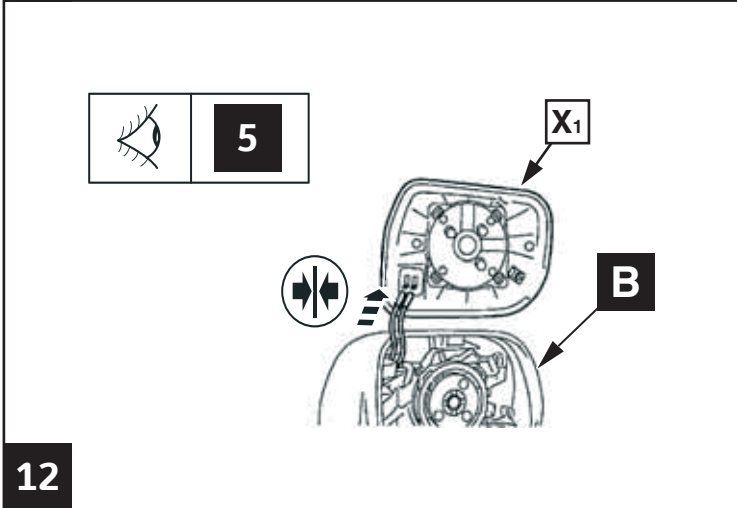
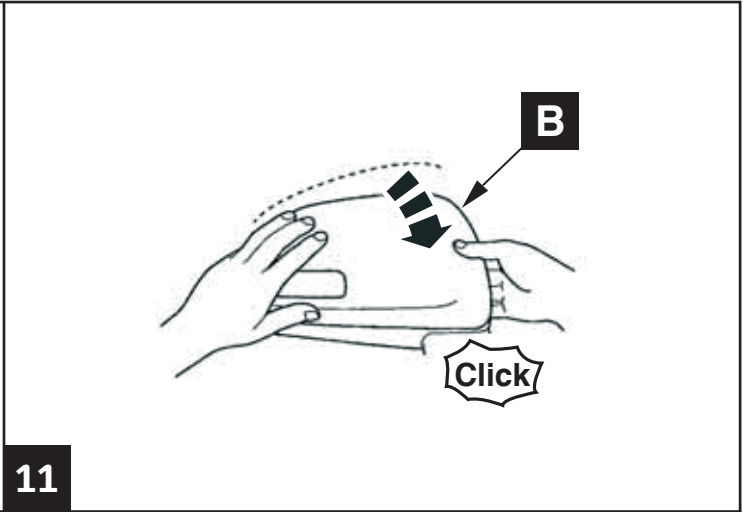
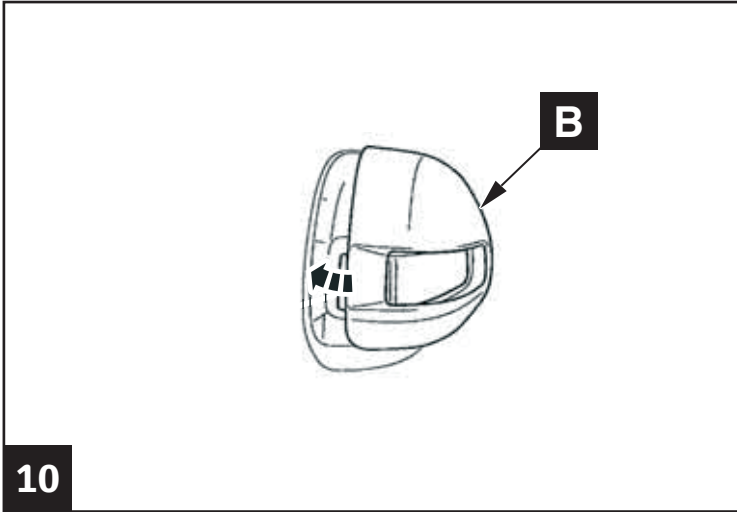
08409-60820



1x









TOYOTA

CHECK SHEET

Model / Year Land Cruiser 2009/09, 2013/08, 2017/08 **Mirror cover**

□ □ □ □ □ □ □ □ □ □ □ □ □ □ □ □

ALWAYS A BETTER WAY

P/N = OK

□

Click

Serial Number

2x (2x) **5,4 Nm** □

□

+2°C □

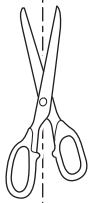
+2°C □

□ □

□ □

= OK

□



Installation Date:

□ / □ / □□□□

Technician Name & Signature:

□

Stamp:

□

