



TOYOTA

ALWAYS A
BETTER WAY

Avensis petrol

Exhaust pipe finisher

Installation Instructions

Model year: 2008/11, 2015/05

Vehicle code: ZRT27**-A****W

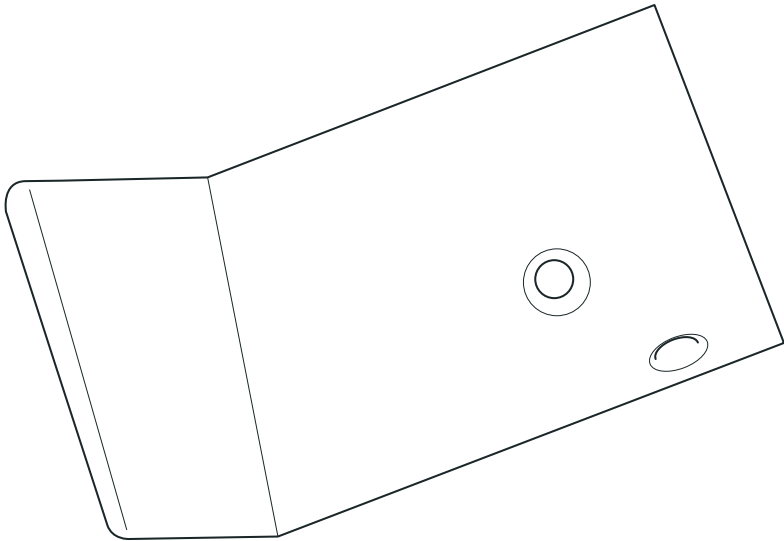
Part number: PZ467-T3491-00


Manual reference number: AIM 001 226-1

Revision record

| Rev. No. | Date | Page | Picture | Update | New | Deleted steps |
|----------|------------|------|---------|--------|-----|---------------|
| 1 | 27/03/2015 | all | all | | X | |
| | | | | | | |
| | | | | | | |
| | | | | | | |
| | | | | | | |
| | | | | | | |

PZ467-T3491-00






M8x12mm

A

1x

B


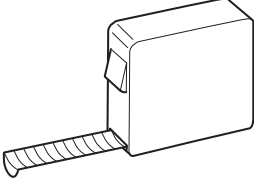

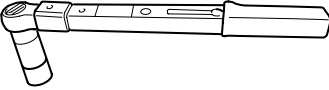
2x

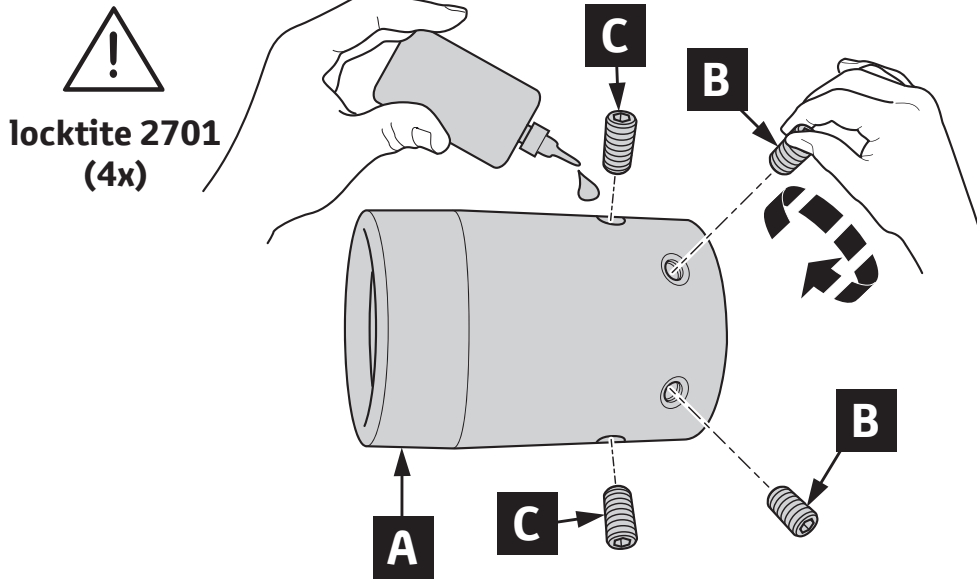


M8x16mm

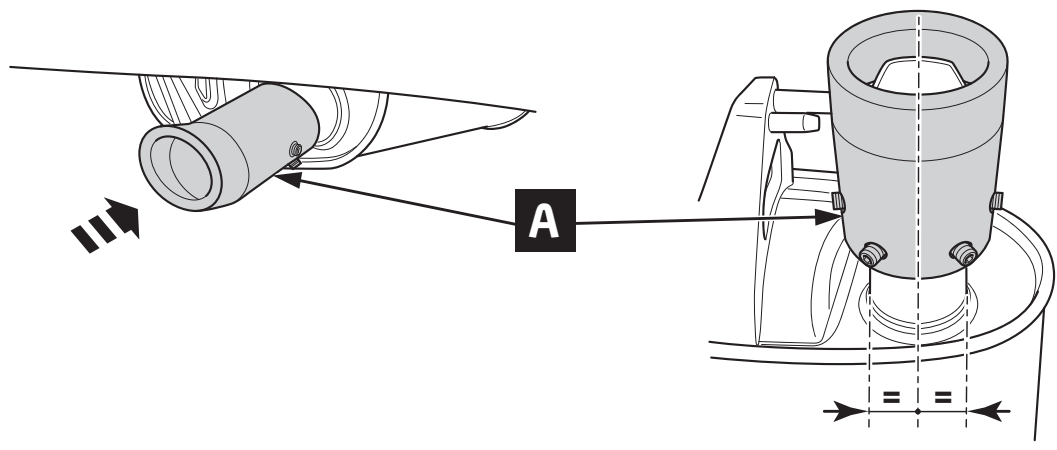
C

2x

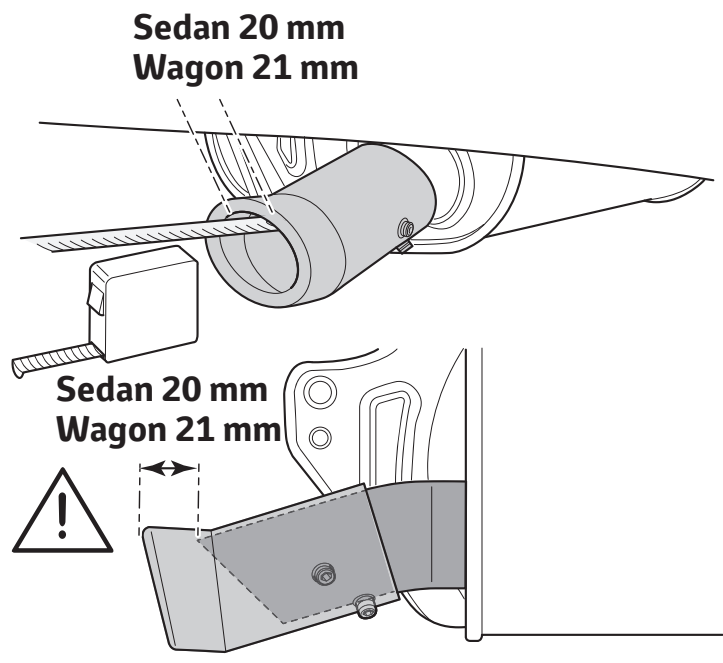
| | | |
|--|---|---|
|  <p>4 mm</p> |  |  <p>locktite 2701</p> |
|  | | |



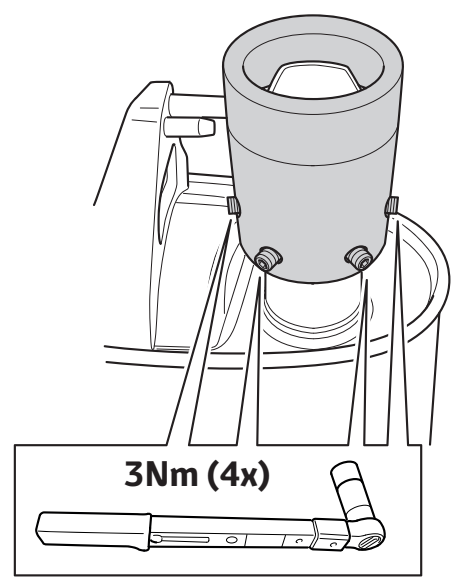
1



2



3



4

CHECK SHEET



TOYOTA

Model / Year

**Avensis petrol
2008/11, 2015/05**

Exhaust pipe finisher



ALWAYS A
BETTER WAY

P/N = OK

Sedan 20 mm
Wagon 21 mm

Sedan 20 mm
Wagon 21 mm

1

locktite 2701
(4x)

2

Serial Number

3Nm (4x)

= =

= OK

Installation Date:

. . / . . /

Technician Name & Signature:

Stamp: