



TOYOTA

ALWAYS A
BETTER WAY

Camry




Mudguards (full kit)

Installation Instructions

Model year: As from 2017/09
Vehicle code: **V***_*E****
Part number: PU060-03180-EP

Manual reference number: AIM 004 212-3

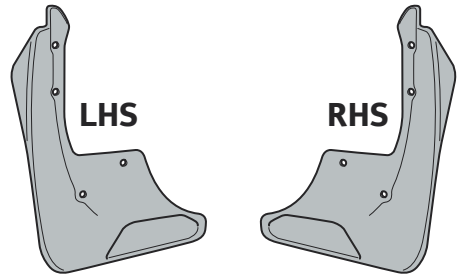
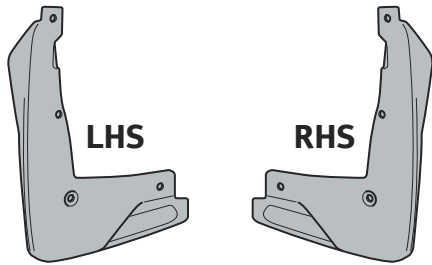
Revision record

Rev. No.	Date	Page	Step	Remarks
	05.02.2019	1, 9		Model year updated
	05.02.2019	4, 7	4, 5, 13, 14, 17	Torque added
	05.02.2019	9, 10	CS	Torque added

PU060-03180-EP

Front set: PU060-03180-EF

Rear set: PU060-03180-ER



A

1x

G

1x



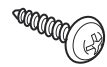
2x



4x



6x



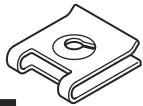
2x

B

C

H

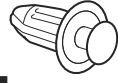
I



4x



2x



2x



2x



2x



2x

D

E

F

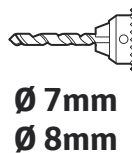
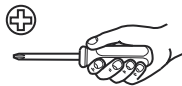
J

K

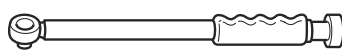
L



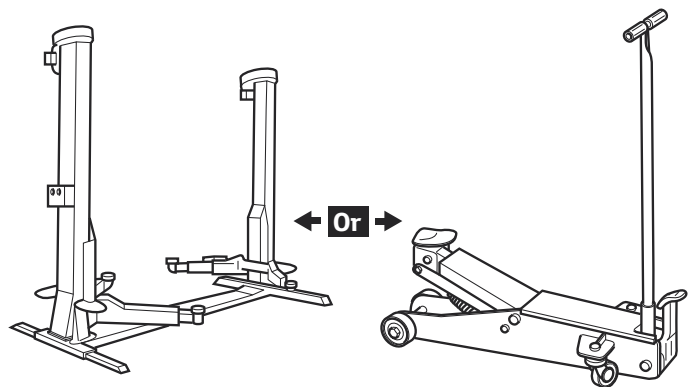
 AIM 003-516-*



○ 10mm
21mm



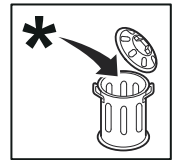
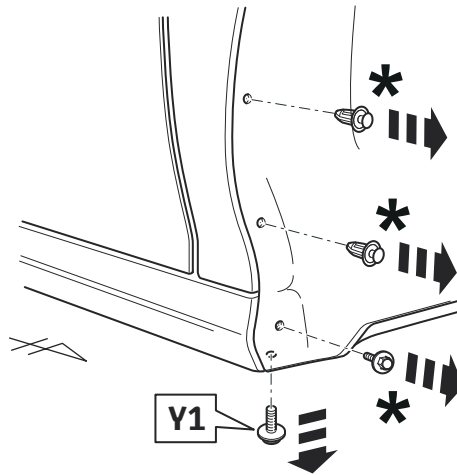
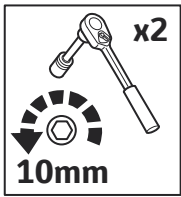
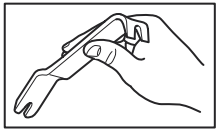
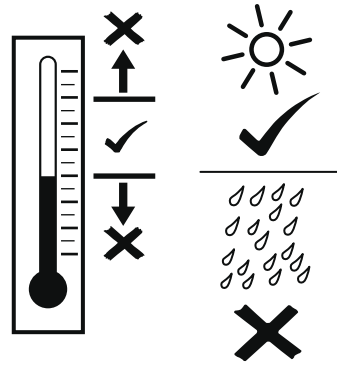
○ 10mm
21mm



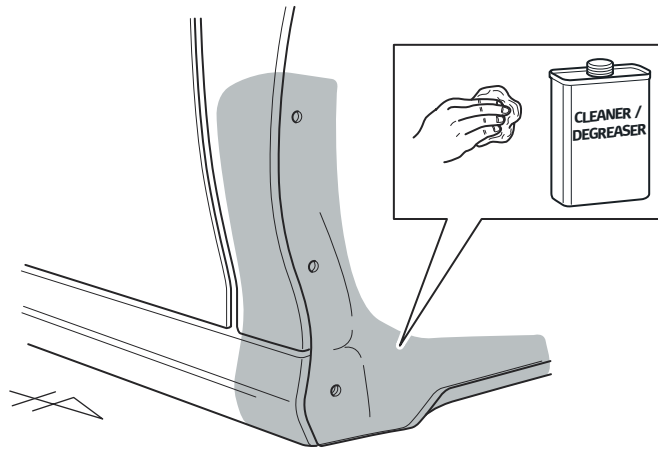
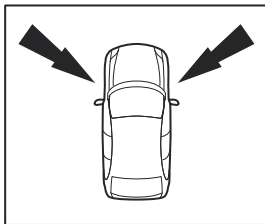


Material Safety Data Sheet

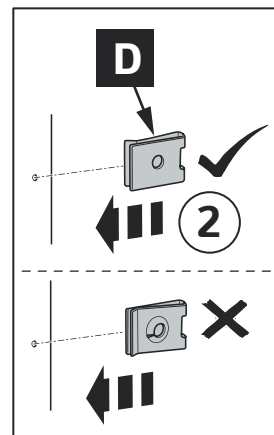
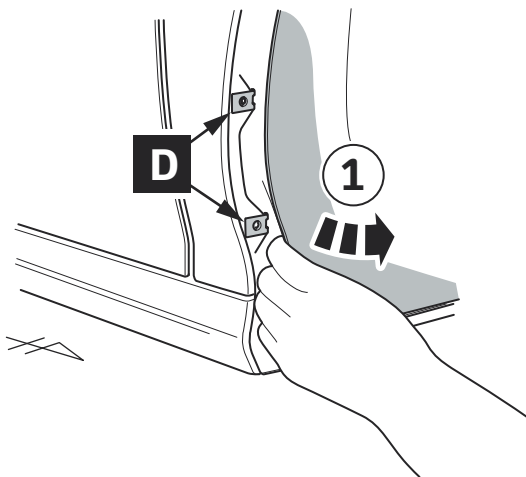
40°C
18°C



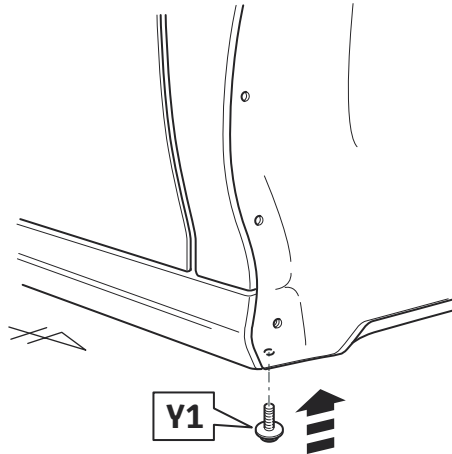
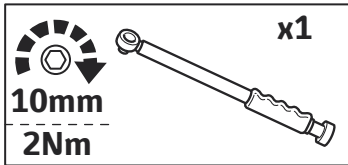
1



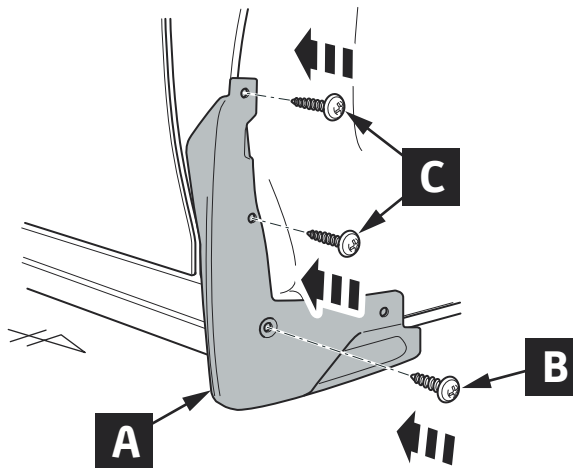
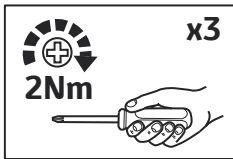
2



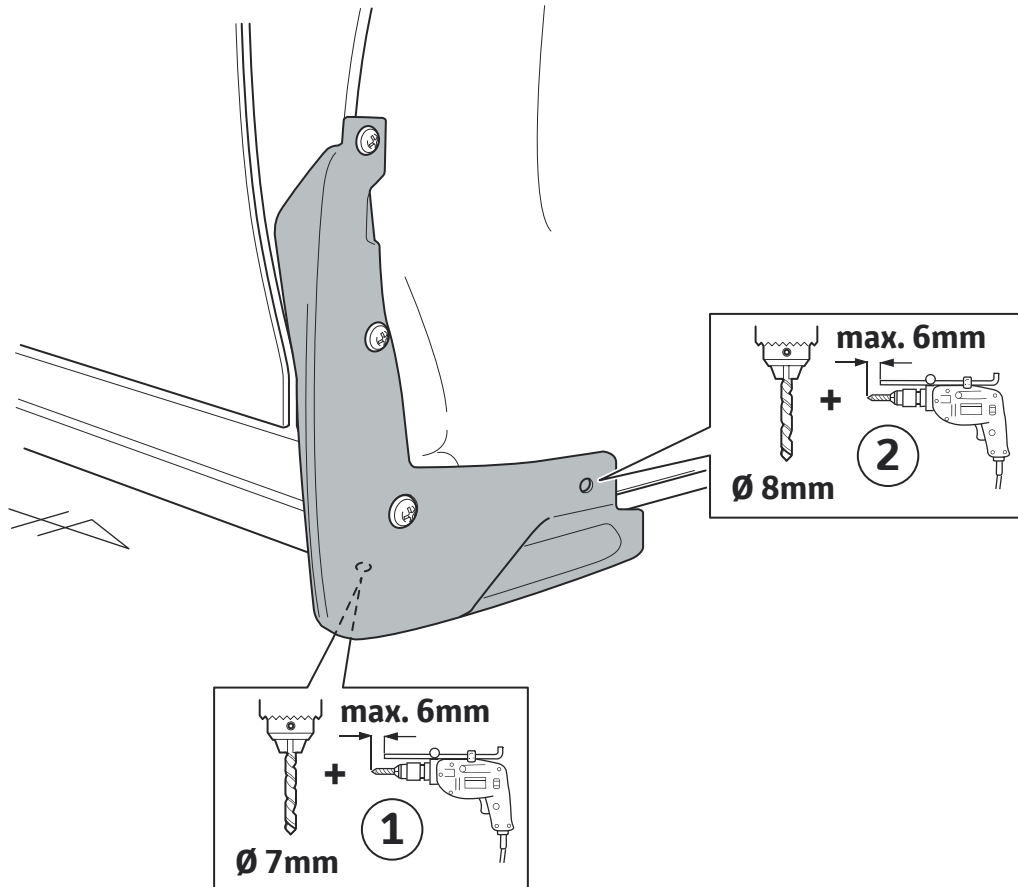
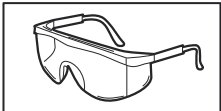
3



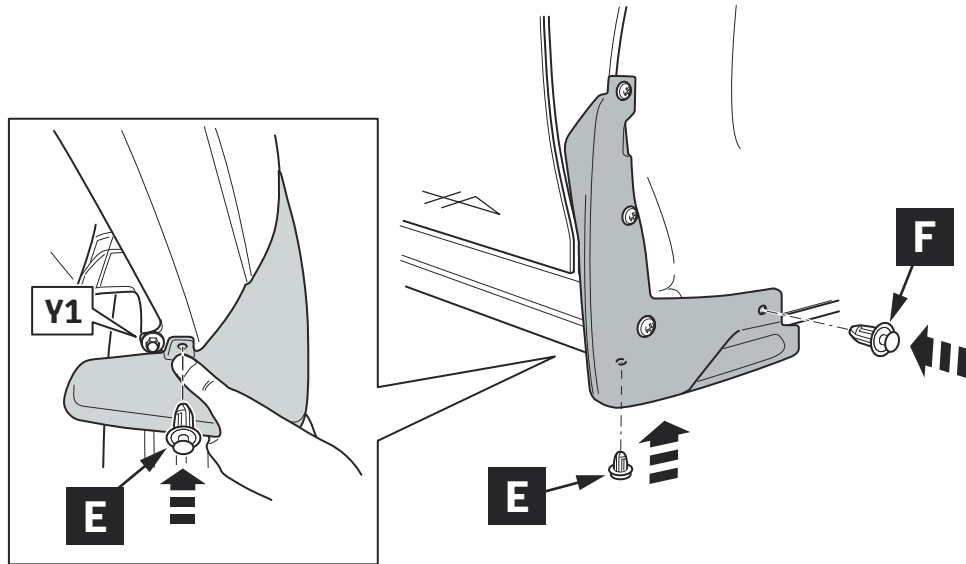
4



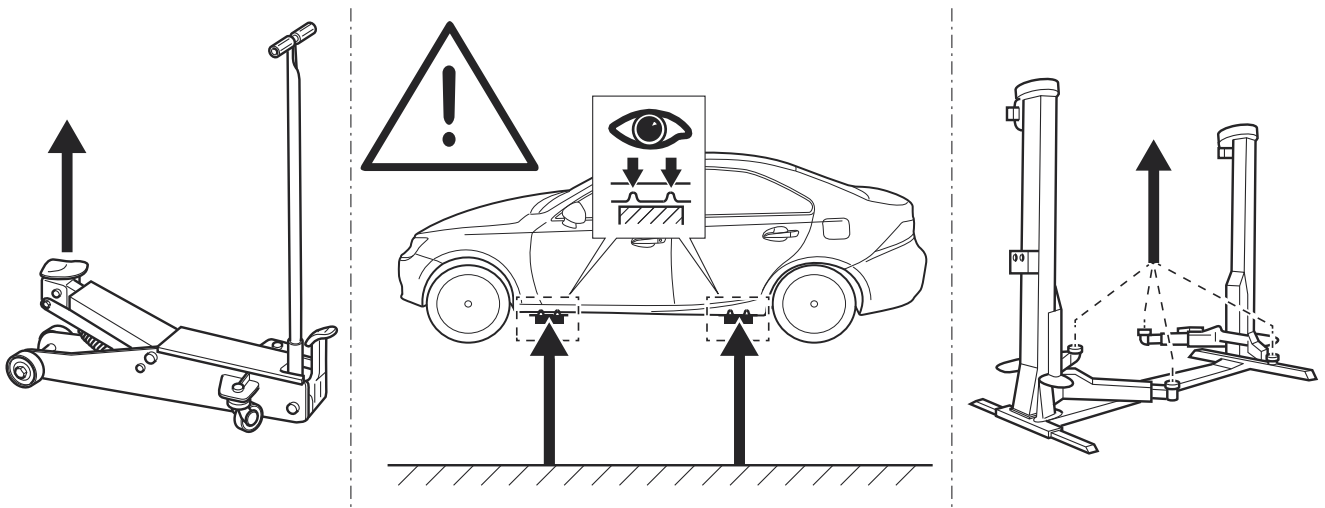
5



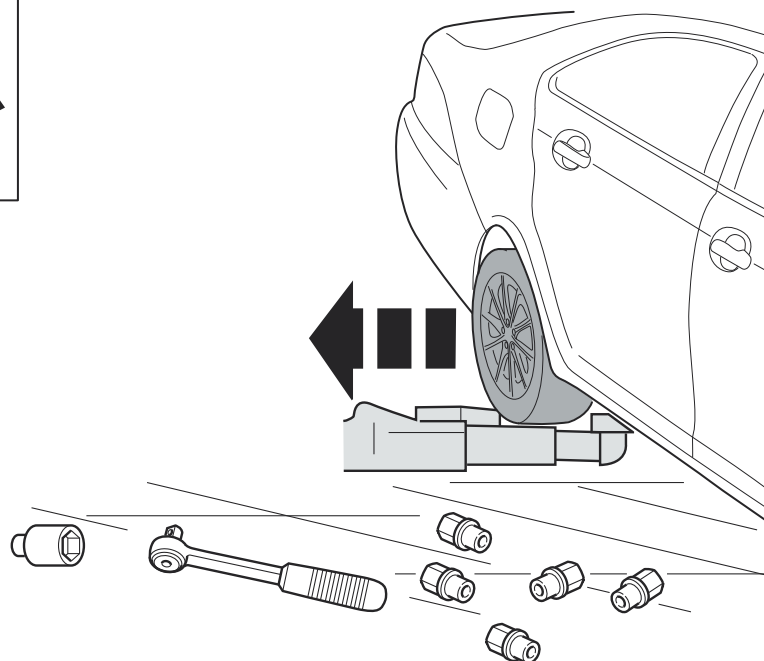
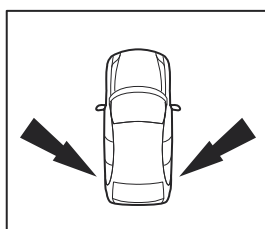
6



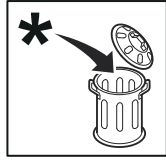
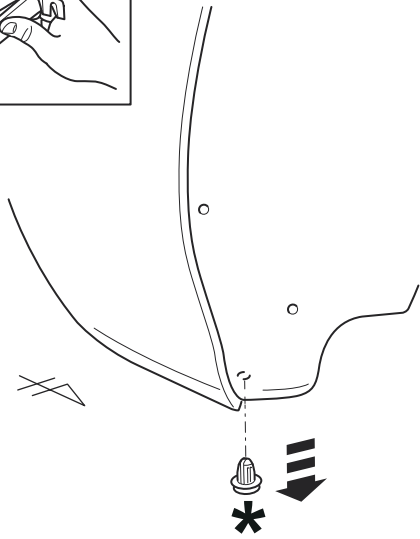
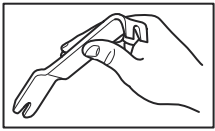
7



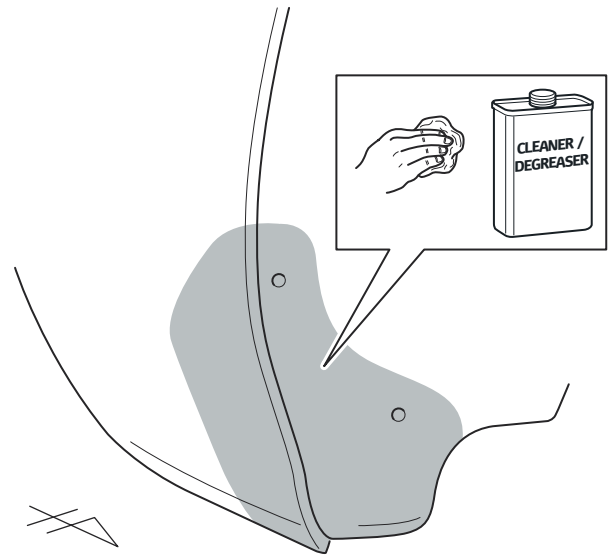
8



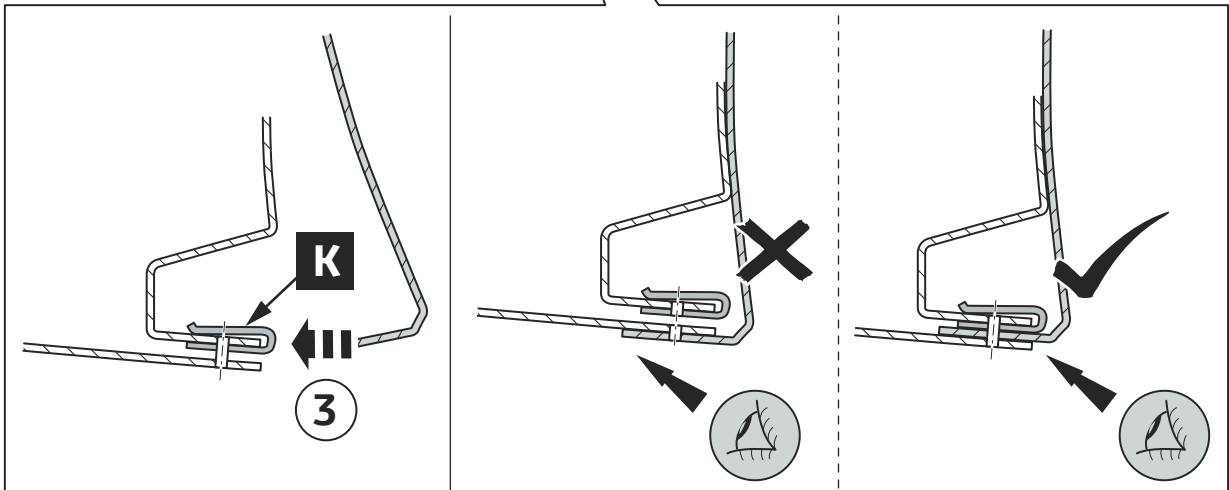
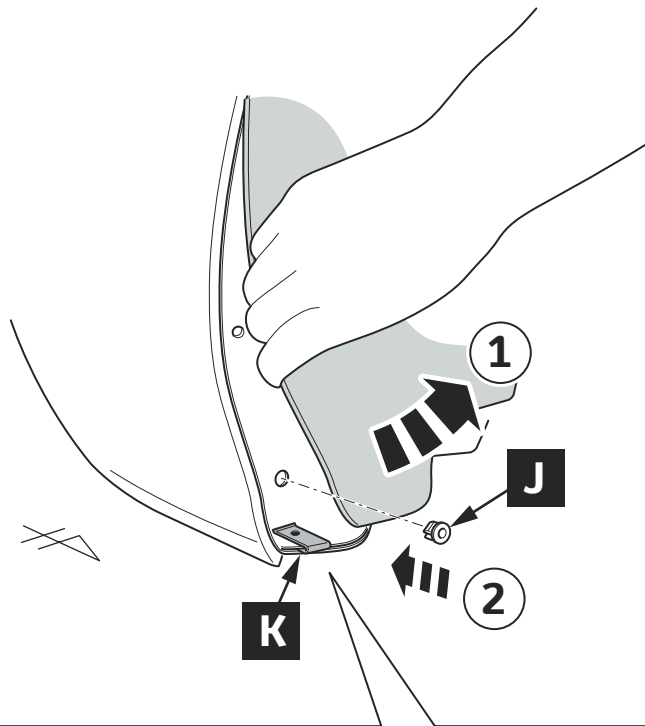
9



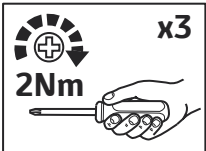
10



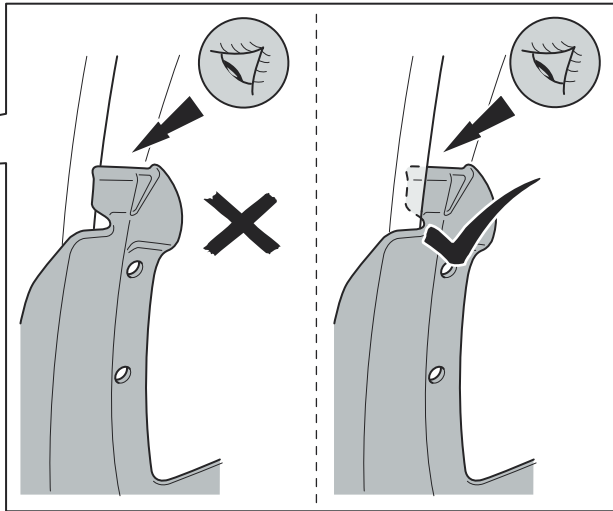
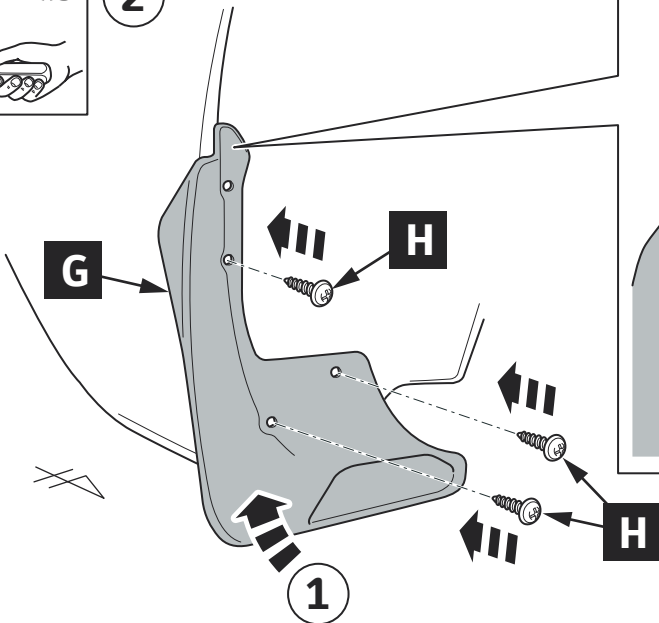
11



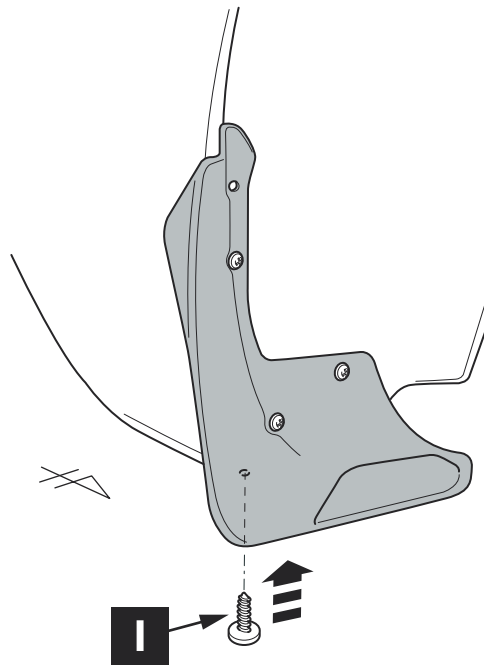
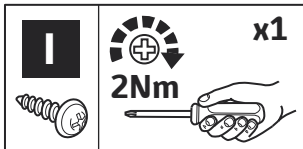
12



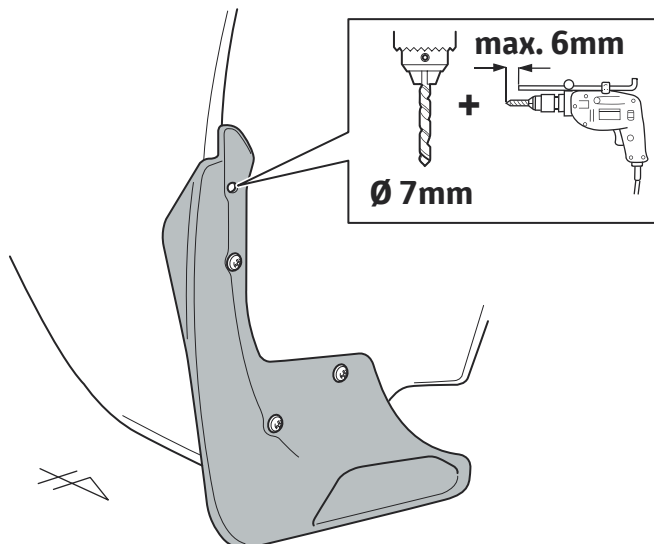
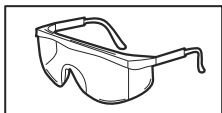
2



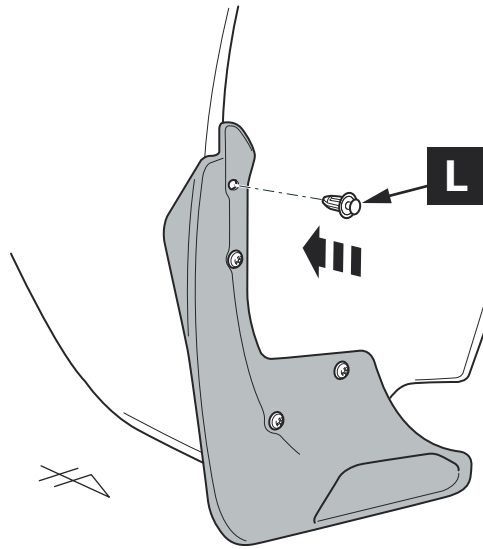
13



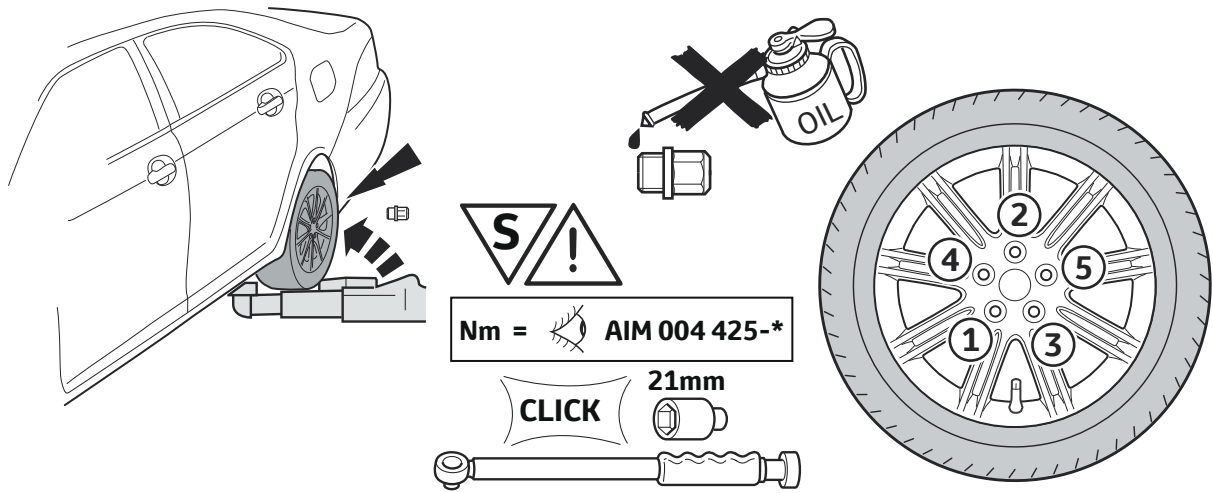
14



15

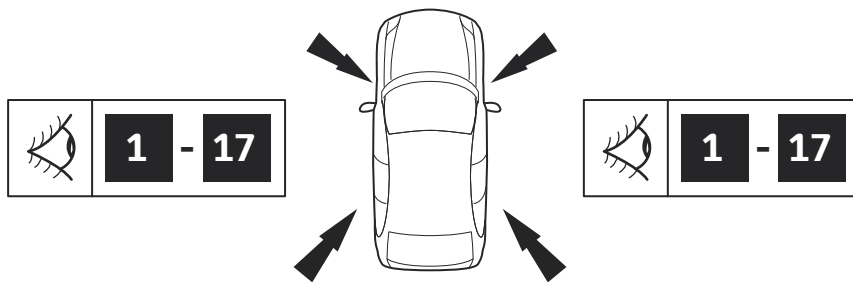


16



17

RHS = LHS



18



TOYOTA

Model / Year

Camry

Mudguards (full kit)

As from 2017/09

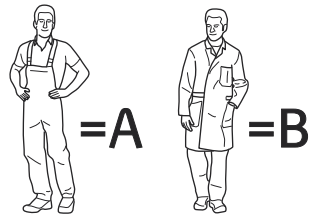
VIN n°

ALWAYS A BETTER WAY

DURING INSTALLATION

1

P/N = OK



2

Serial Number

A A
B B

(4x) 2 Nm (4x) 2 Nm


3


Serial Number


(4x) 2 Nm (4x) 2 Nm

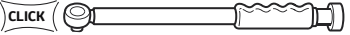
A A
B B





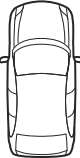



 AIM 004 425-*

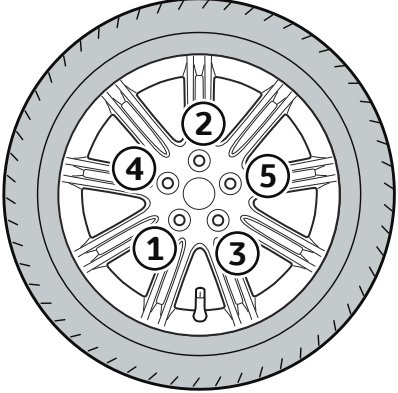


Serial Number

Nm

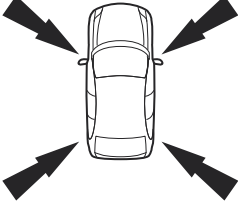
A  A

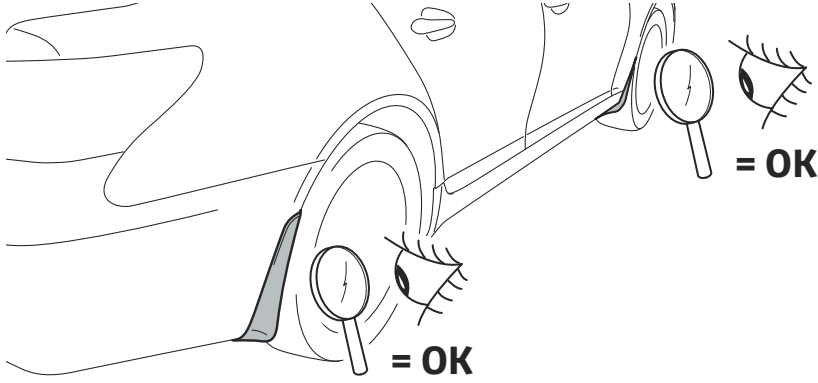
B  B



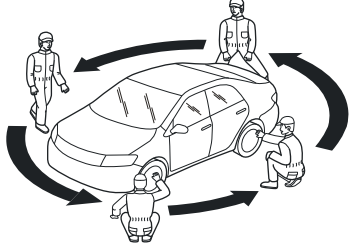
4

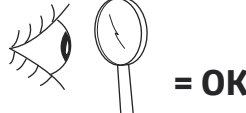
AFTER INSTALLATION





1





2

Installation Date:

. . . / . . . /

Technician Name & Signature:

Stamp: