



TOYOTA

ALWAYS A
BETTER WAY

Prius

Leather seats

Check Sheet

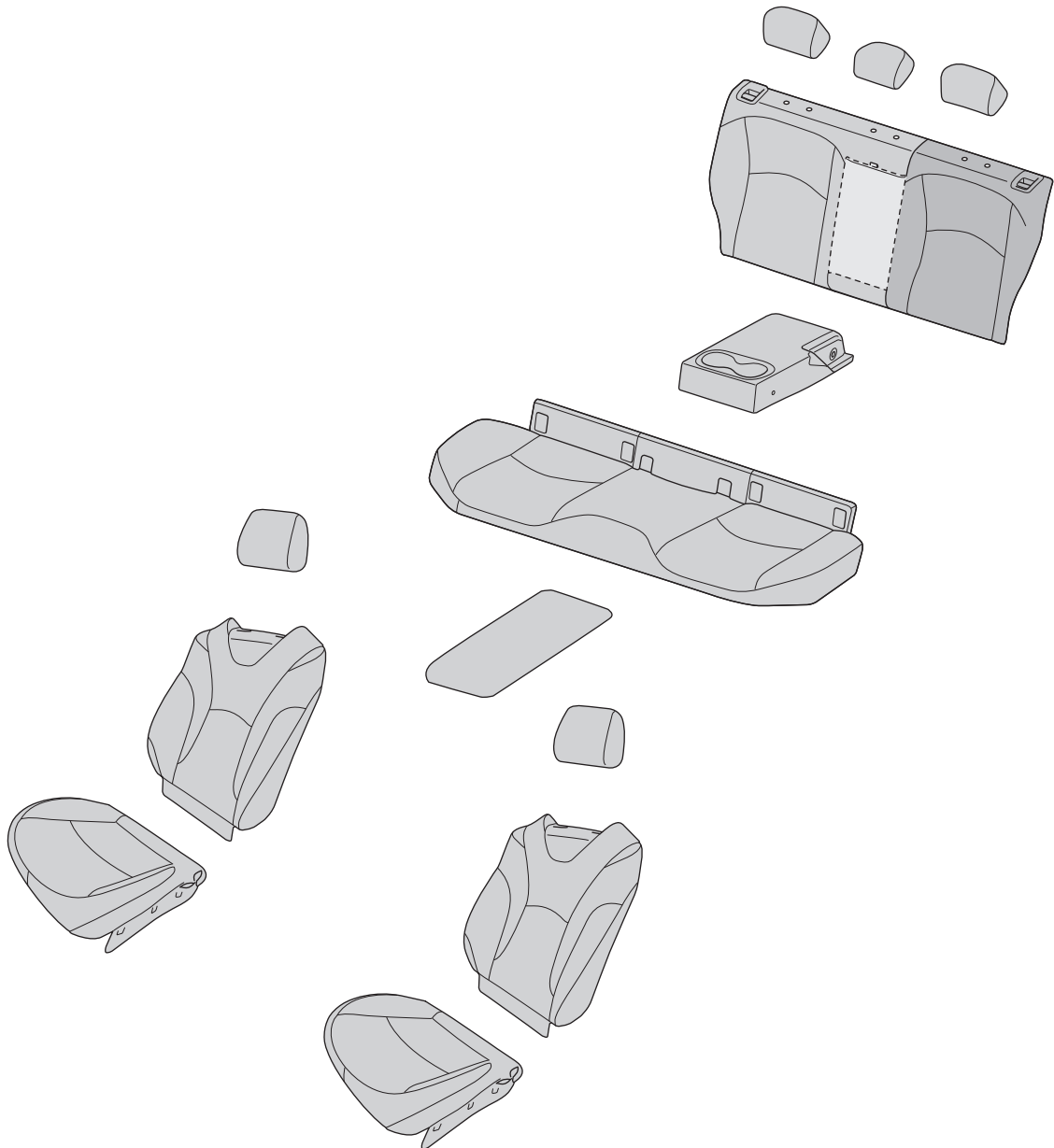
Model year: 2015/12
Vehicle code: ZVW***-A***BW
Part number: PW220-471**-C*

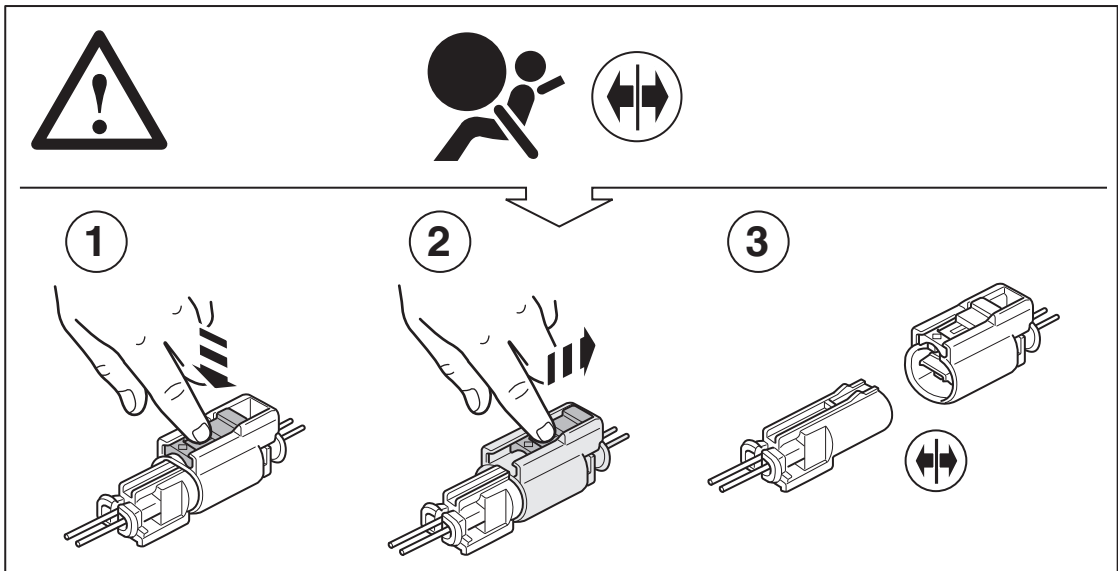
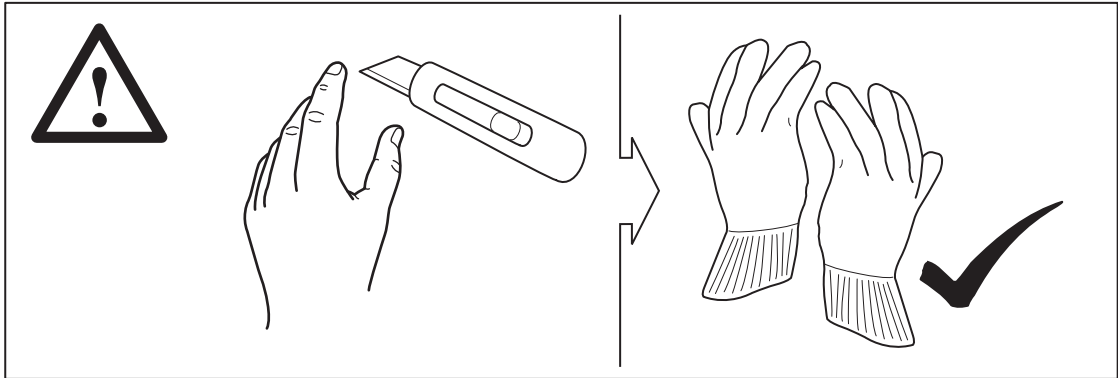
Manual reference number: AIM 003 741-2

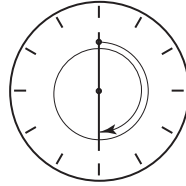
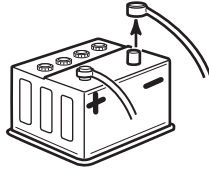
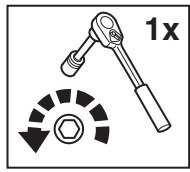
Revision record

Rev. No.	Date	Page	Picture	Update	New	Deleted steps
1	19.01.2016	4,6		X		
2	18.02.2016	4-7			X	
		12		X		

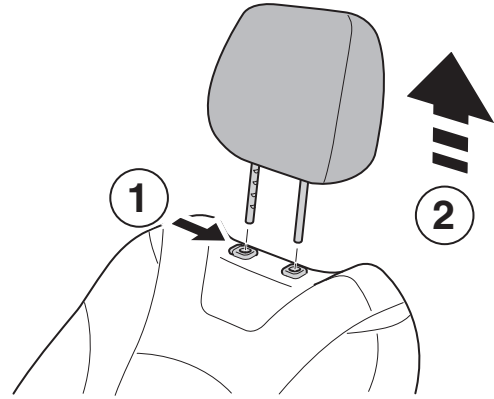
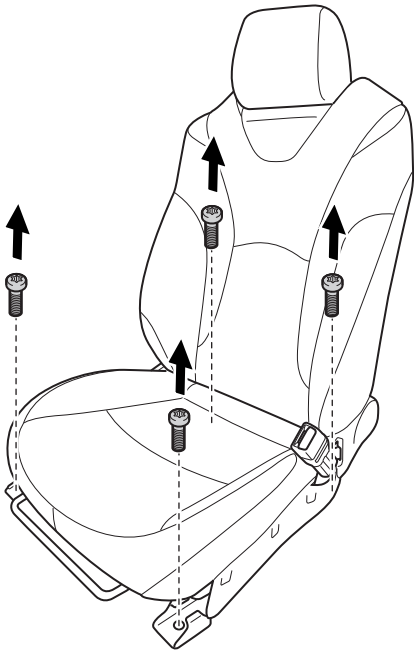
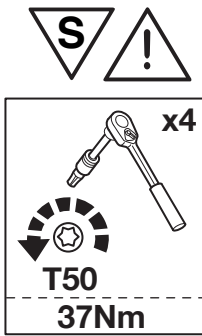
PW220-471**-C*





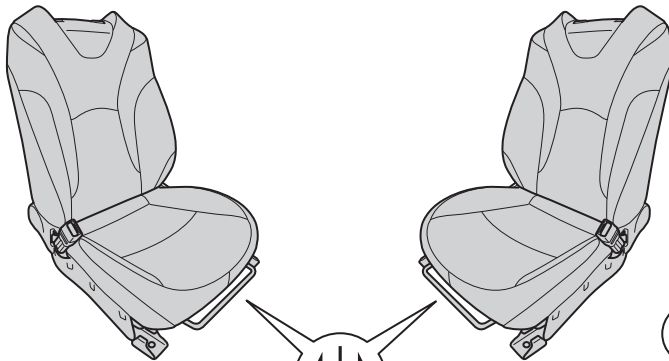


1

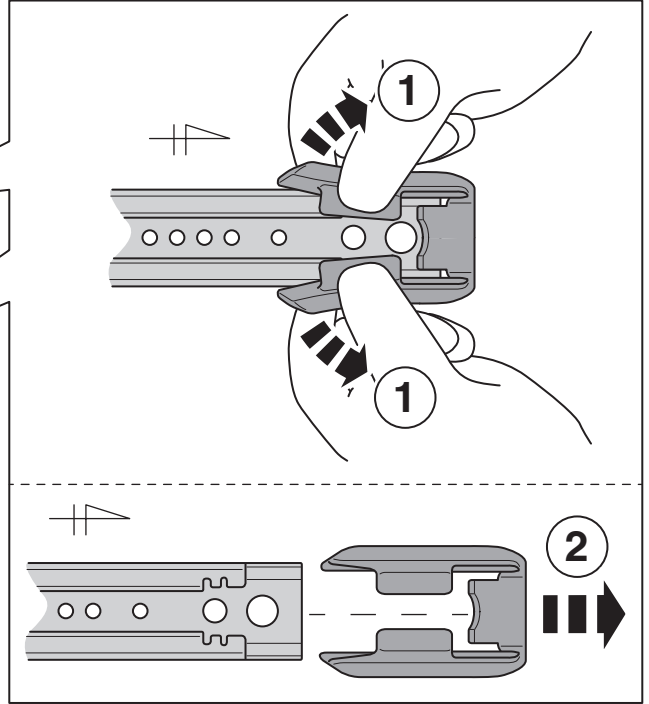
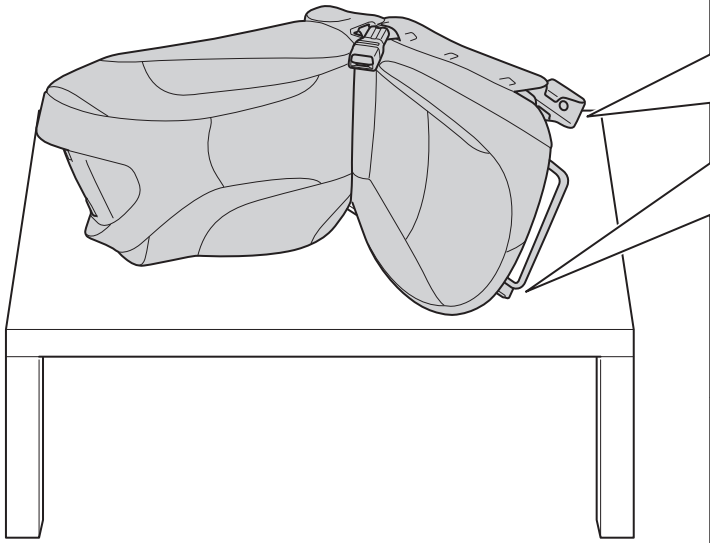


2

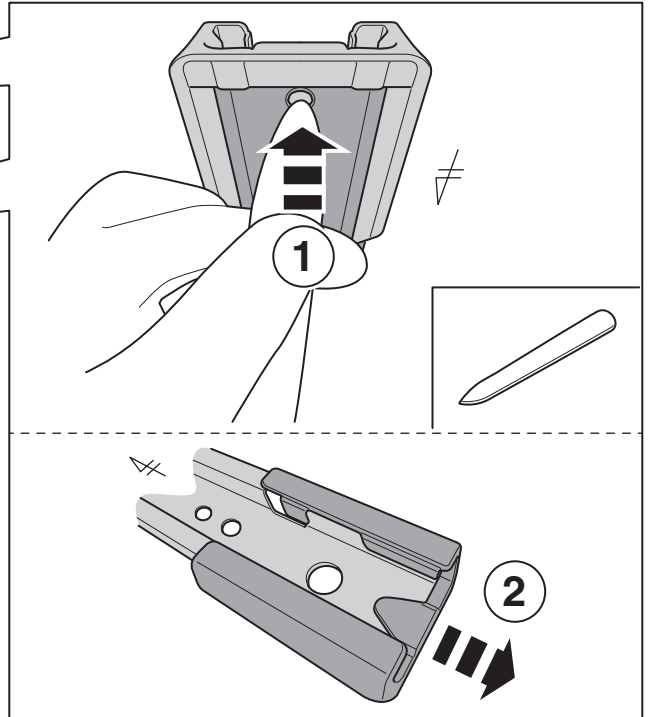
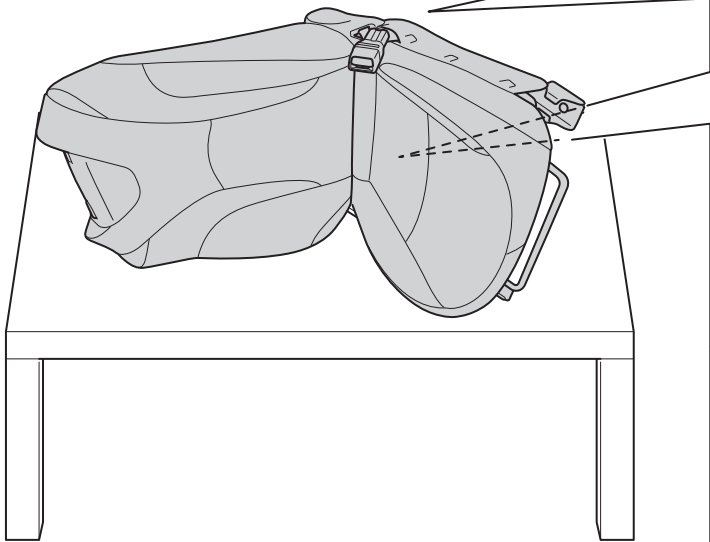
3



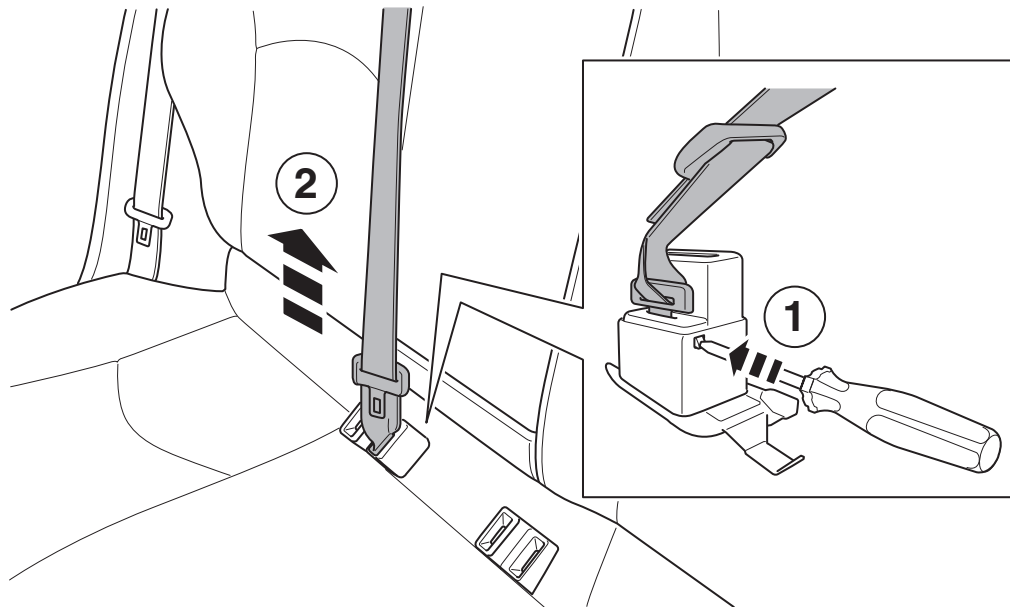
4



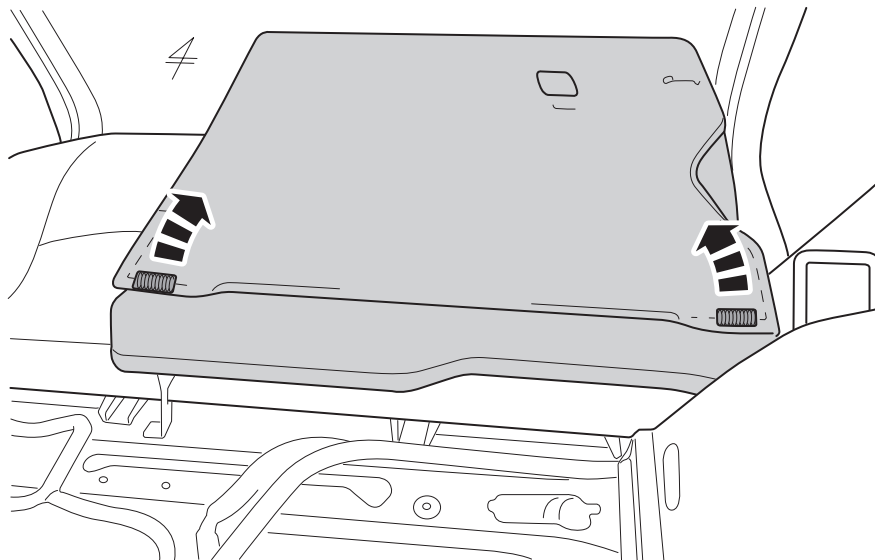
5



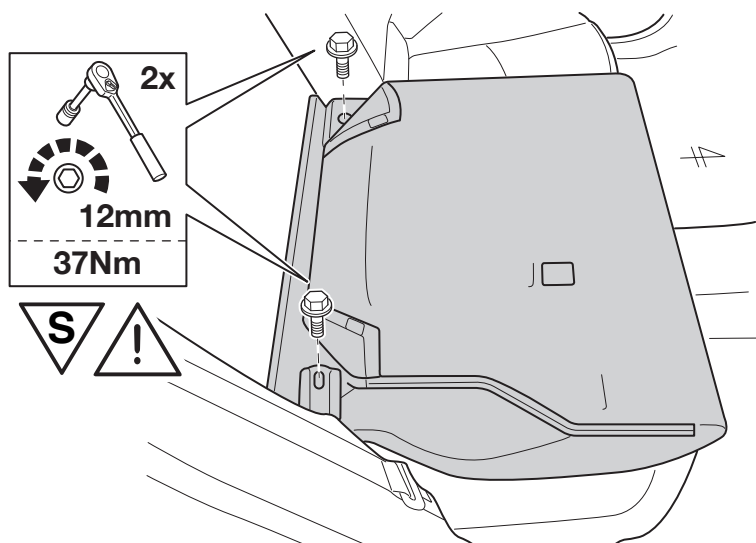
6



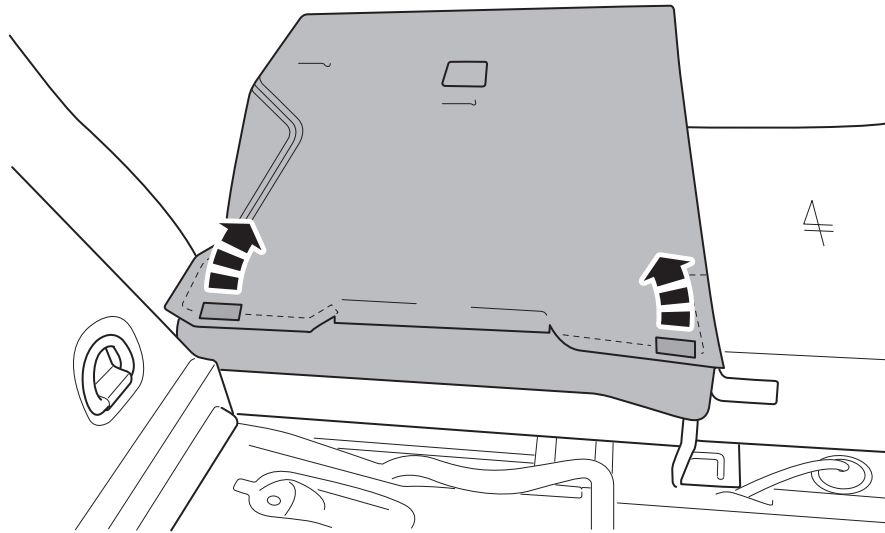
7



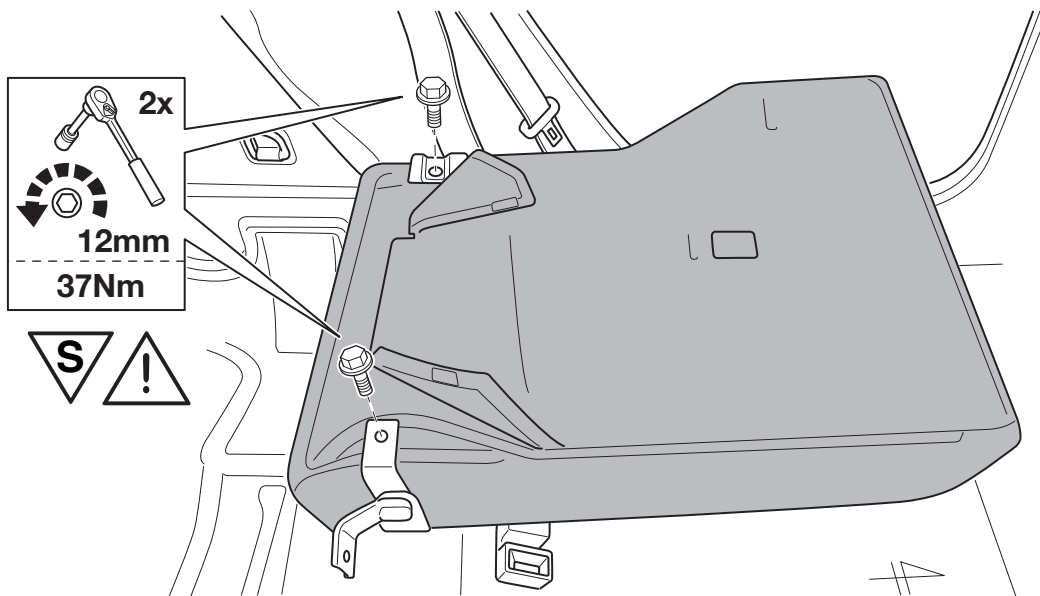
8



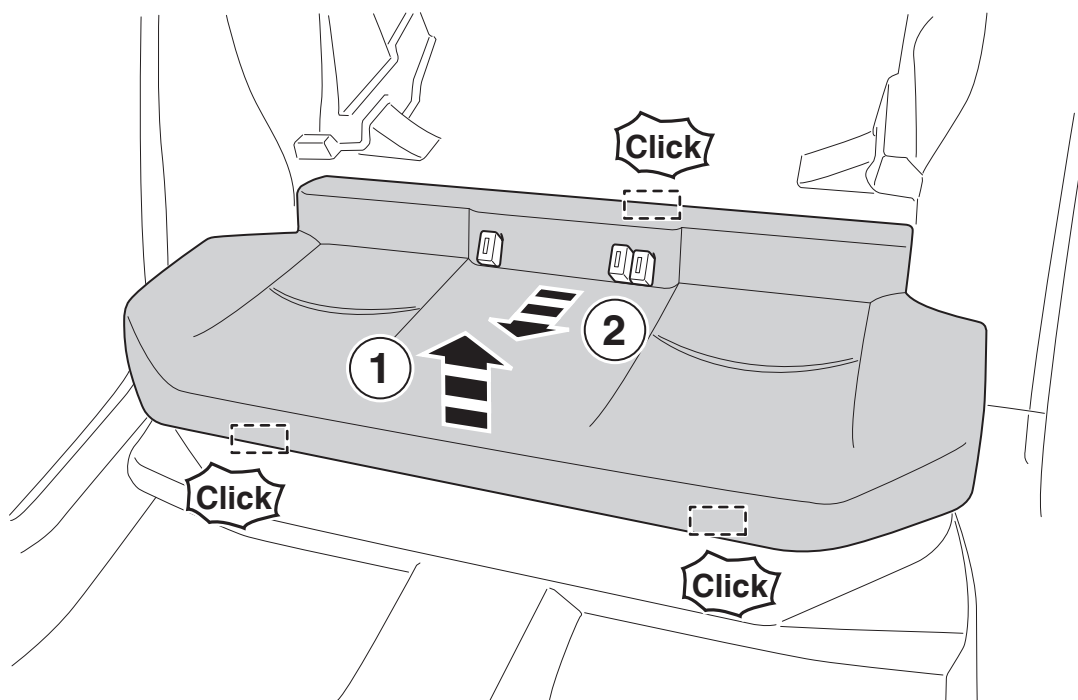
9



10



11



12



CHECK SHEET



TOYOTA

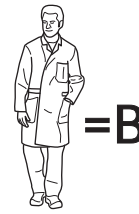
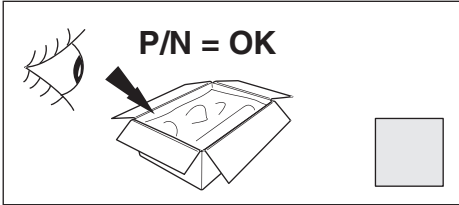
Model / Year

Prius 2015/12

Leather seats

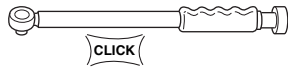
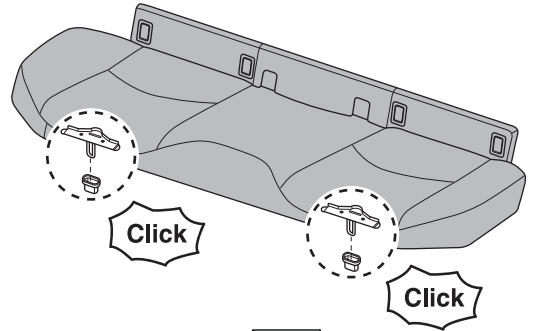
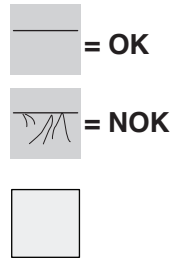
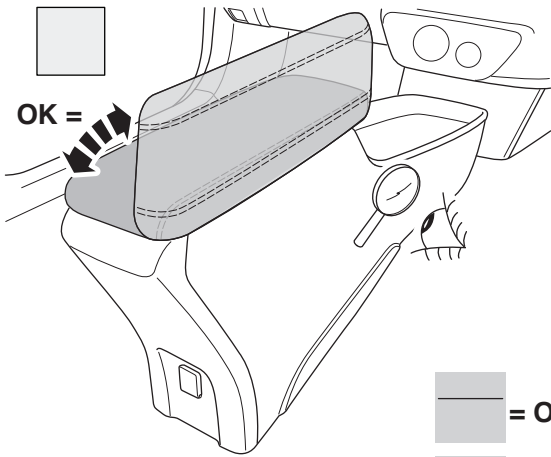
VIN n°

ALWAYS A BETTER WAY

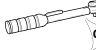


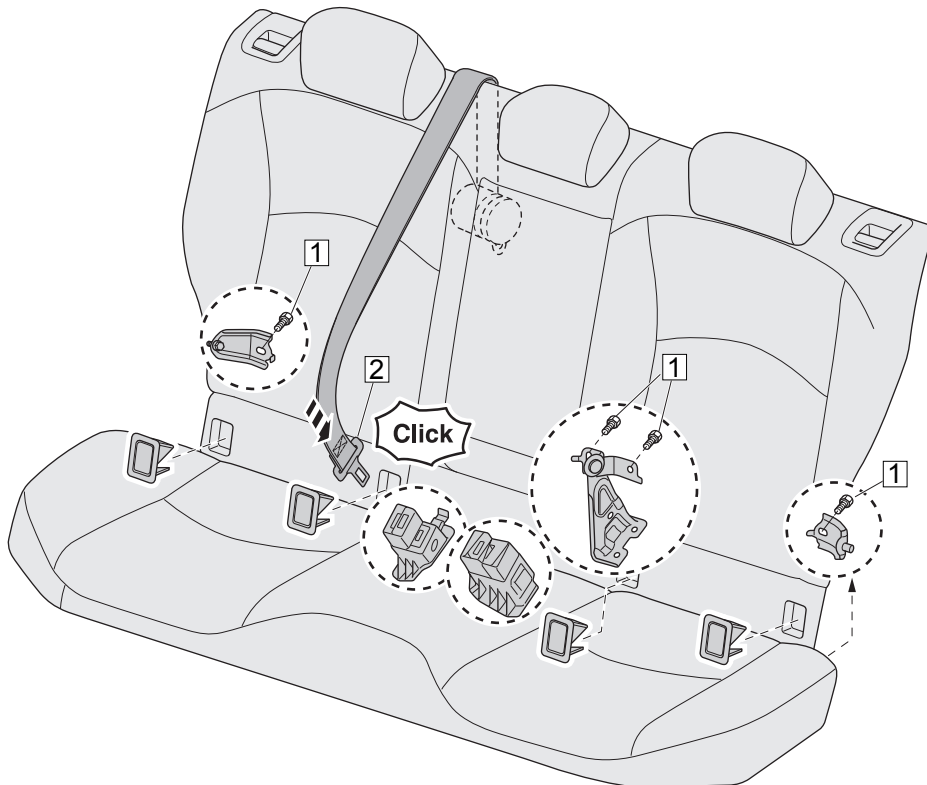
						Serial Number
1→2→3→...	Click	A	B	A	B	
1	4x37Nm	<input type="checkbox"/>	<input type="checkbox"/>	<input type="checkbox"/>	<input type="checkbox"/>	<input type="text"/>
2	4x42Nm	<input type="checkbox"/>	<input type="checkbox"/>	<input type="checkbox"/>	<input type="checkbox"/>	<input type="text"/>

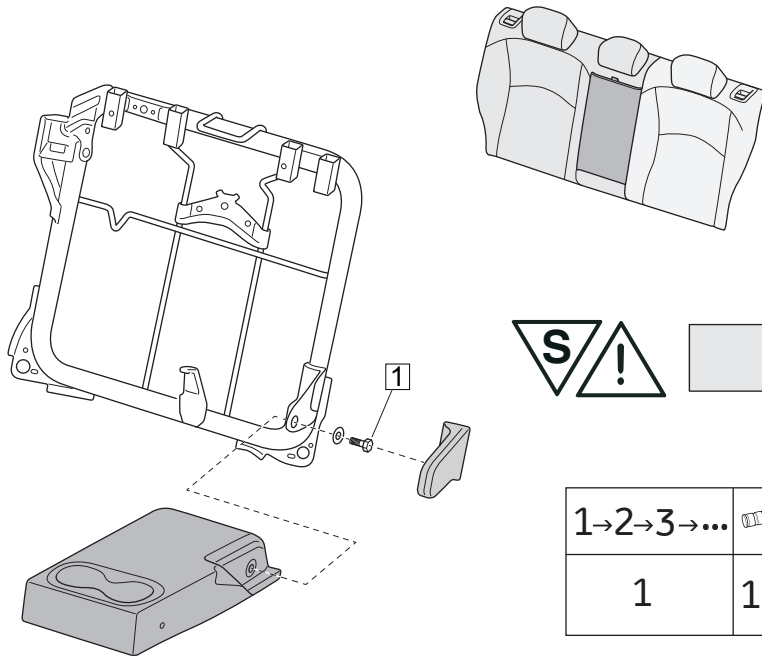
1→2→3→...					
1	OK	<input type="checkbox"/>	<input type="checkbox"/>	<input type="checkbox"/>	<input type="checkbox"/>
2	OK	<input type="checkbox"/>	<input type="checkbox"/>	<input type="checkbox"/>	<input type="checkbox"/>
3	OK	<input type="checkbox"/>	<input type="checkbox"/>	<input type="checkbox"/>	<input type="checkbox"/>
4	Min.+2°C	<input type="checkbox"/>	<input type="checkbox"/>	<input type="checkbox"/>	<input type="checkbox"/>
5	OK	<input type="checkbox"/>	<input type="checkbox"/>	<input type="checkbox"/>	<input type="checkbox"/>
6	OK	<input type="checkbox"/>	<input type="checkbox"/>	<input type="checkbox"/>	<input type="checkbox"/>



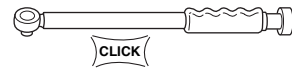
Serial Number


1→2→3→...	 Click	A	B
1	4x37Nm	<input type="checkbox"/>	<input type="checkbox"/>
2	'Click'	<input type="checkbox"/>	<input checked="" type="checkbox"/>

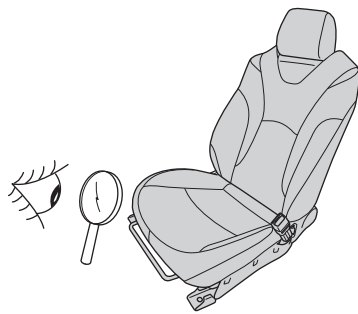
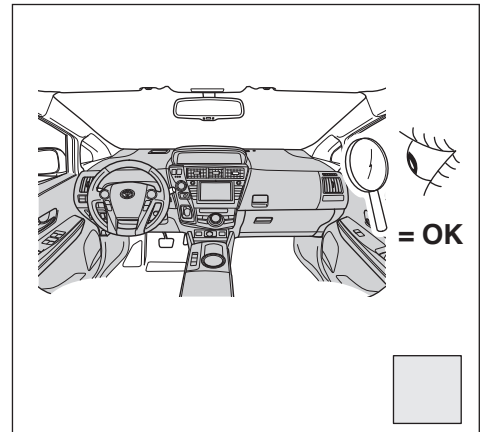
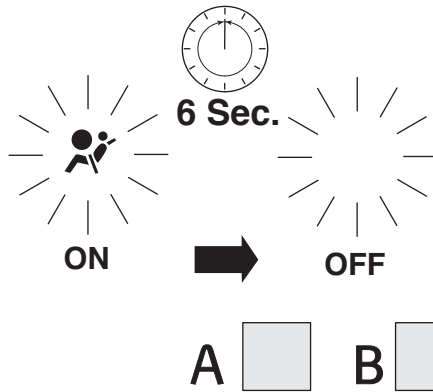
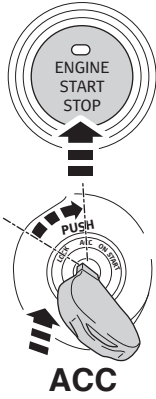
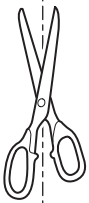




Serial Number

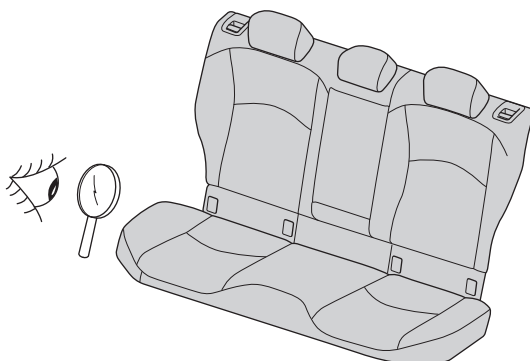
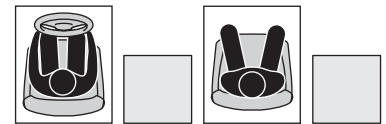


1→2→3→...	 Click	A	B
1	1x21Nm	<input type="checkbox"/>	<input type="checkbox"/>



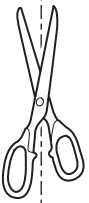
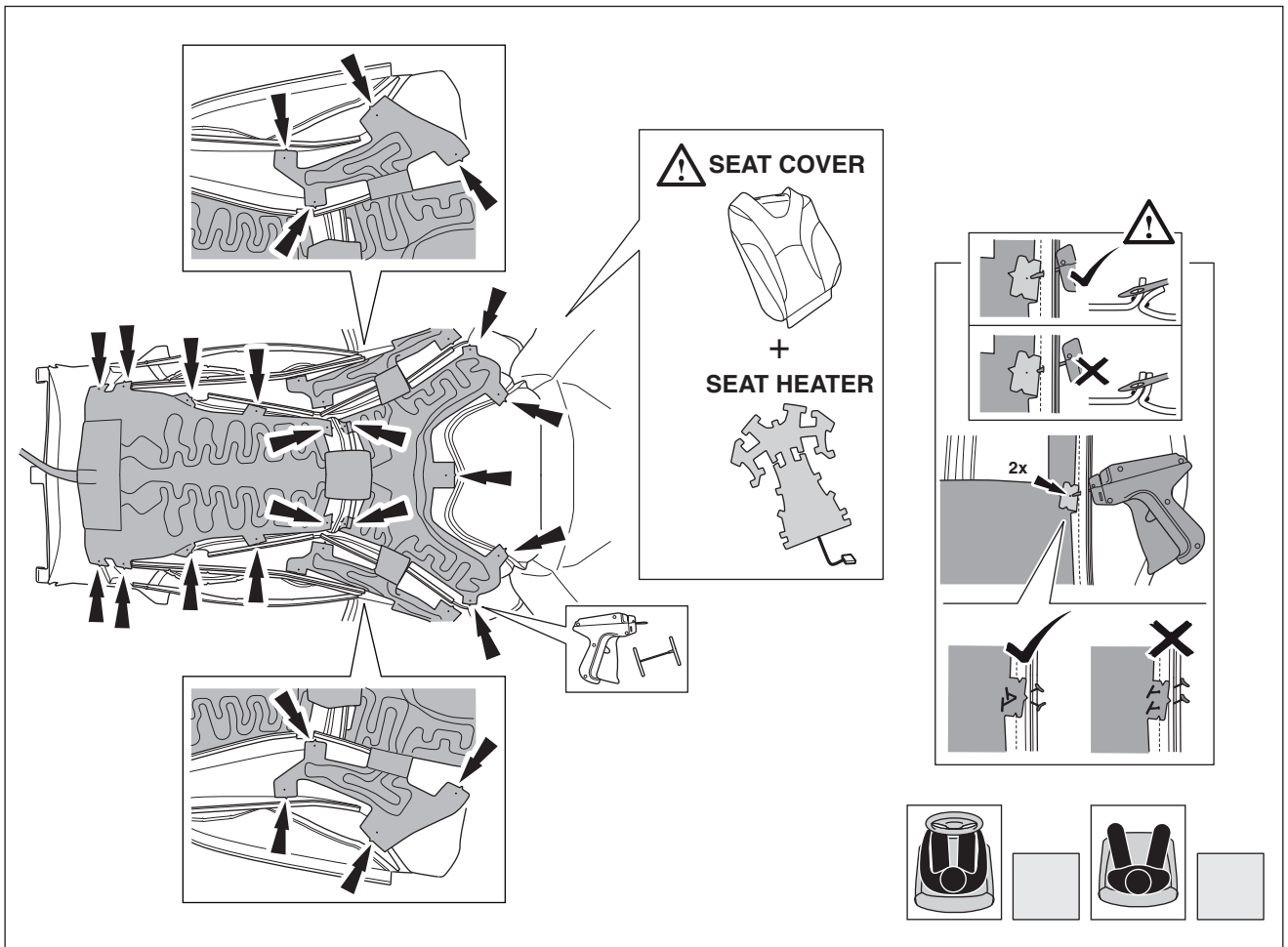
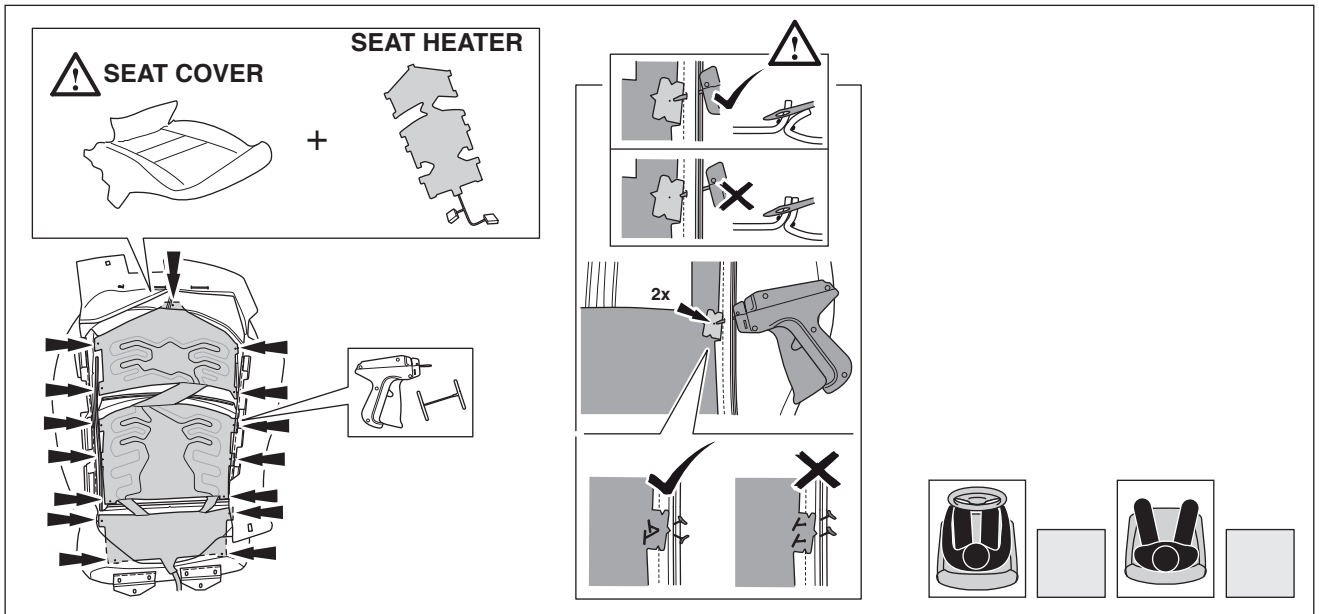
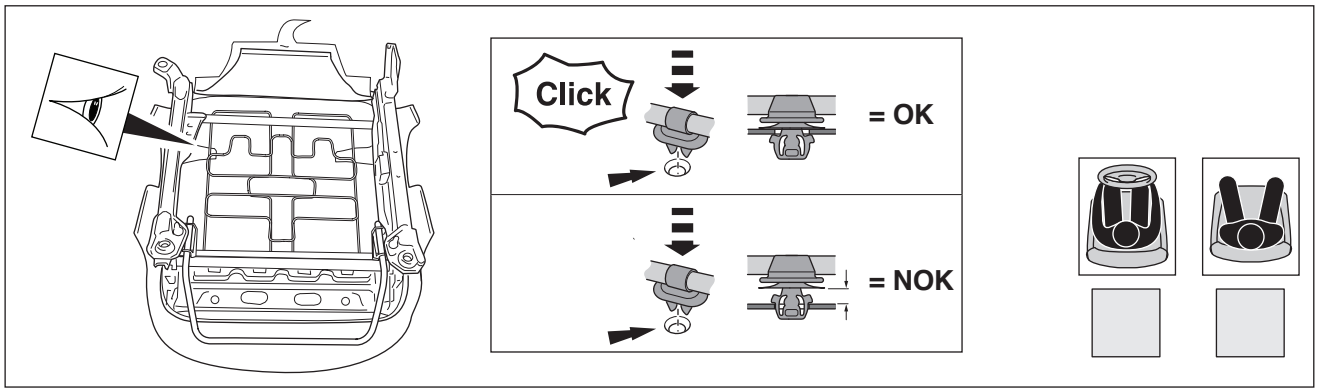
= OK

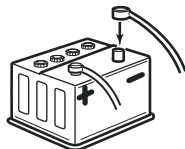
= NOK



= OK

= NOK





5,4 Nm



Serial Number



No DTC



For full Installation instructions/Repair manuals



<http://www.toyota-tech.eu>

Installation Date:

. . / . . /

Technician Name & Signature:

Stamp:

