



TOYOTA

ALWAYS A
BETTER WAY

AYGO (RHD)

X-NAV

Installation instructions

Model year: 2014/05

Vehicle code: **B40R-A***KW

Part number: PZ41C-90331-00
PZ41C-EU330-**

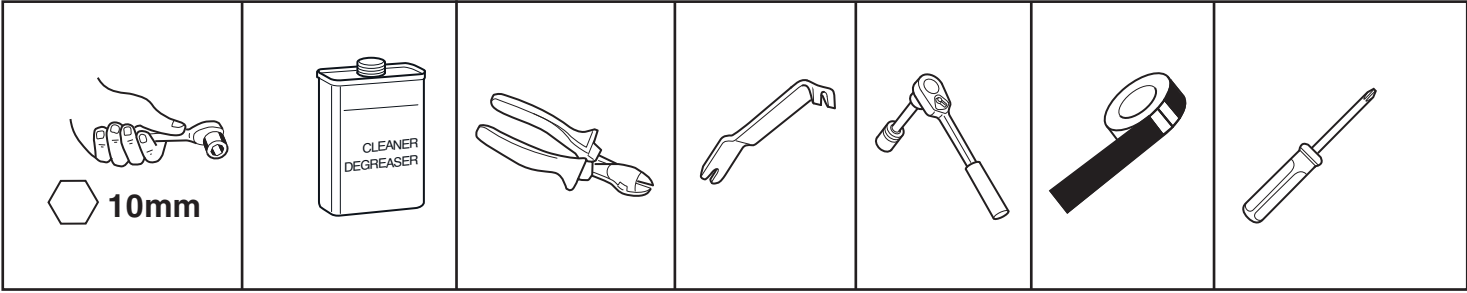
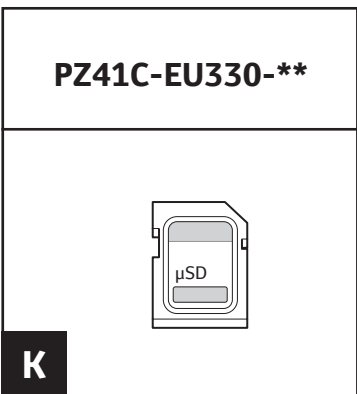
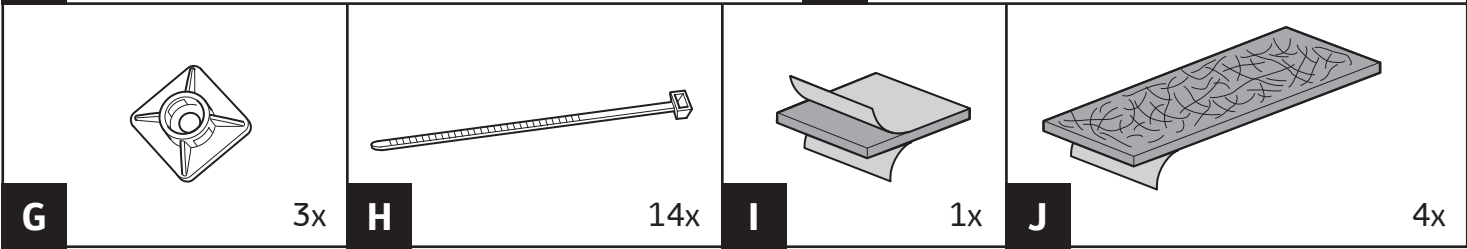
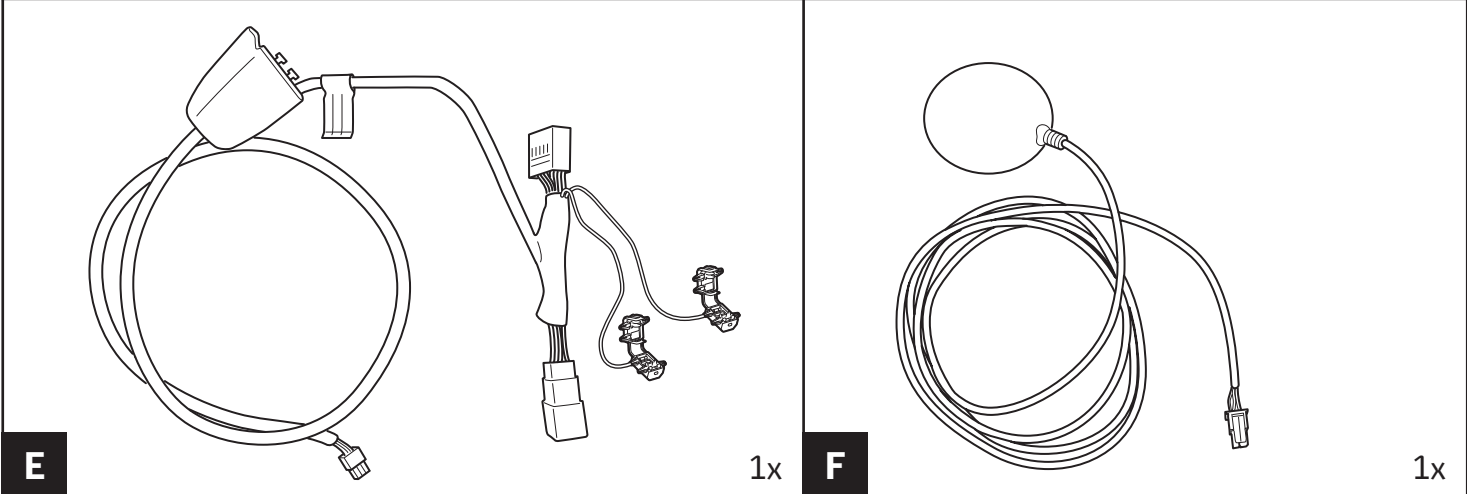
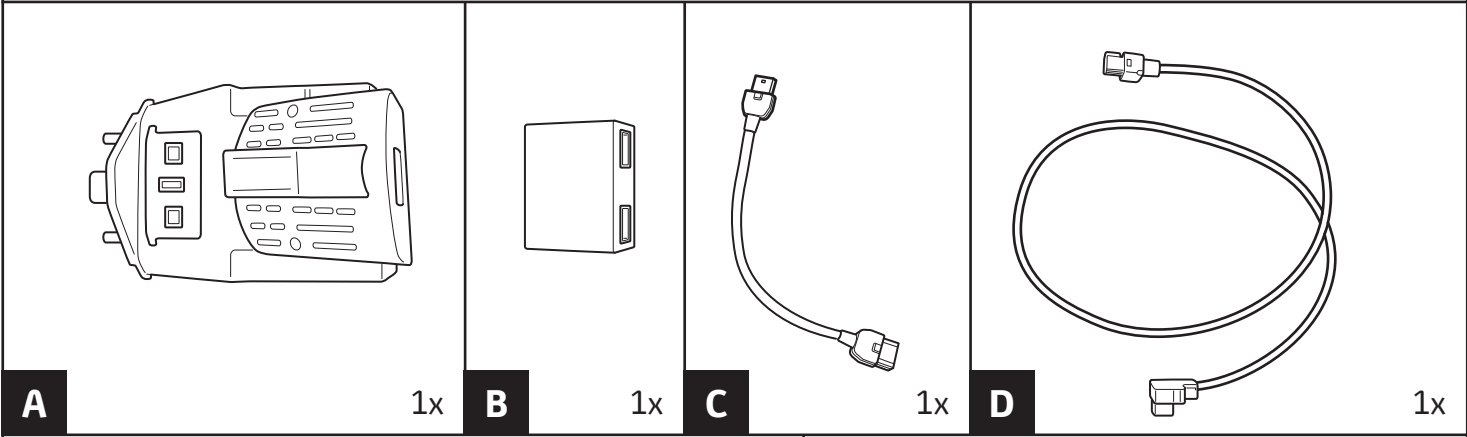
X-Nav Europe Map

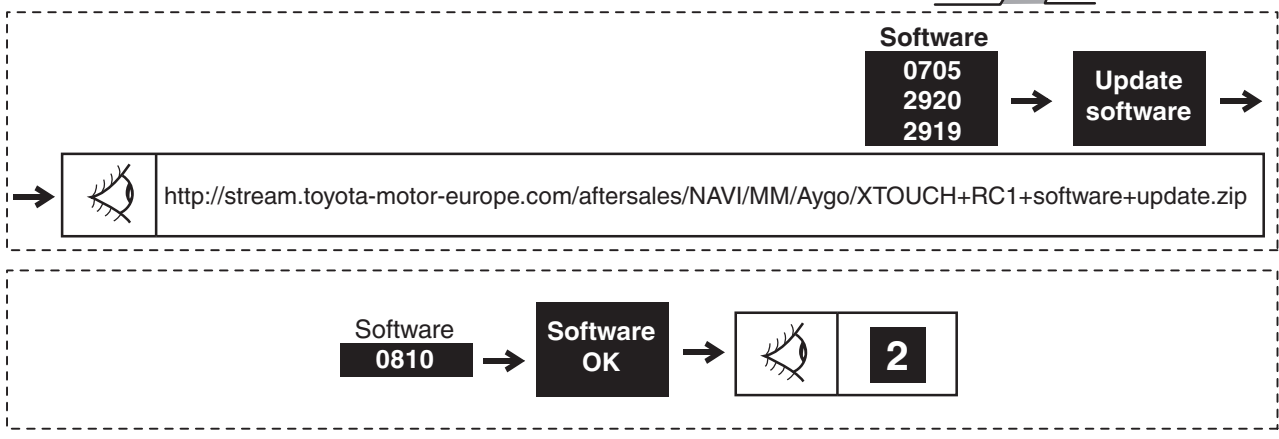
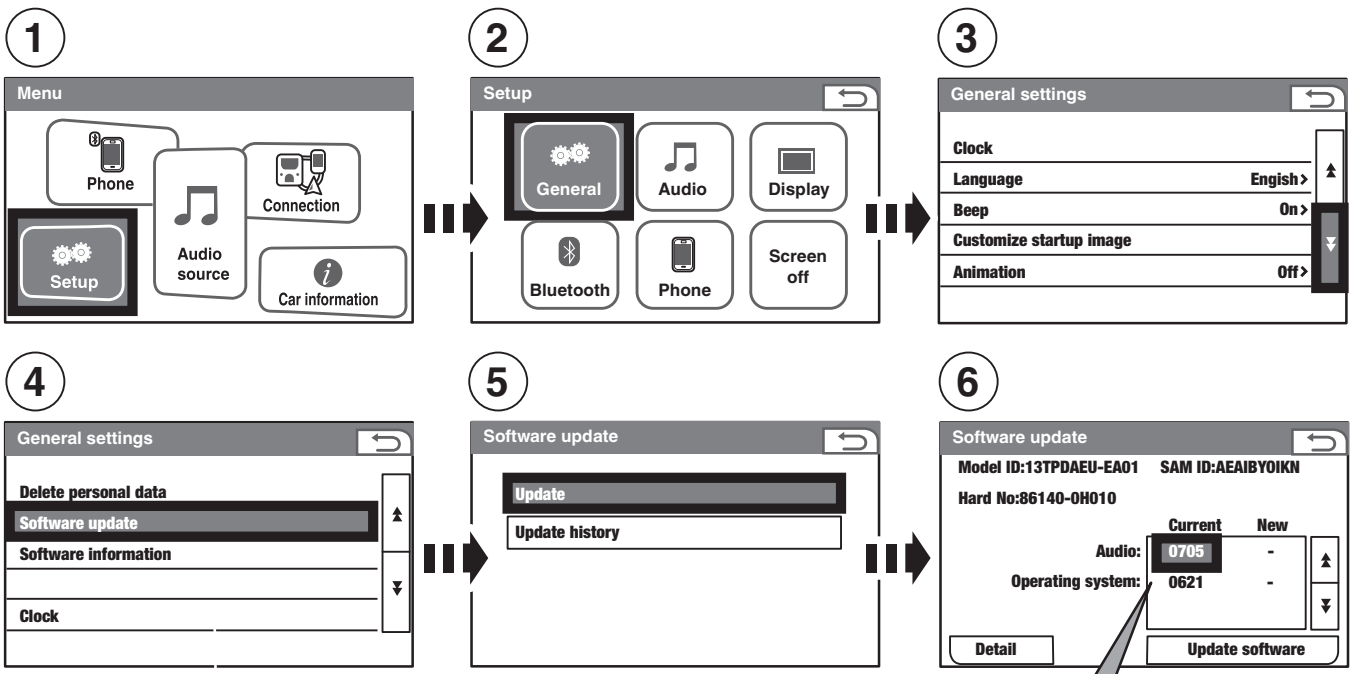
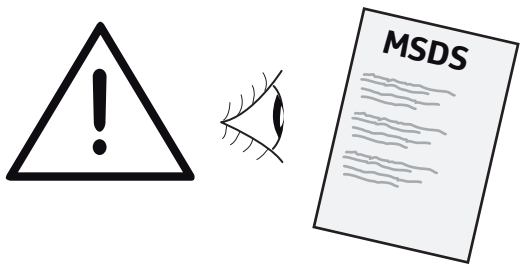
Manual reference number: AIM 003 763 - 0

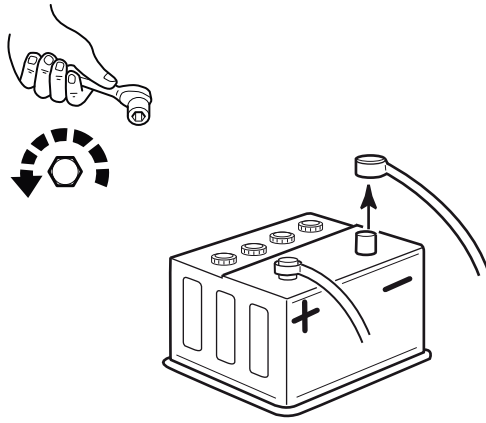
Revision Record

| Rev. No. | Date | Page | Picture | Update | New | Deleted steps |
|----------|------|------|---------|--------|-----|---------------|
| | | | | | | |
| | | | | | | |
| | | | | | | |
| | | | | | | |
| | | | | | | |
| | | | | | | |
| | | | | | | |

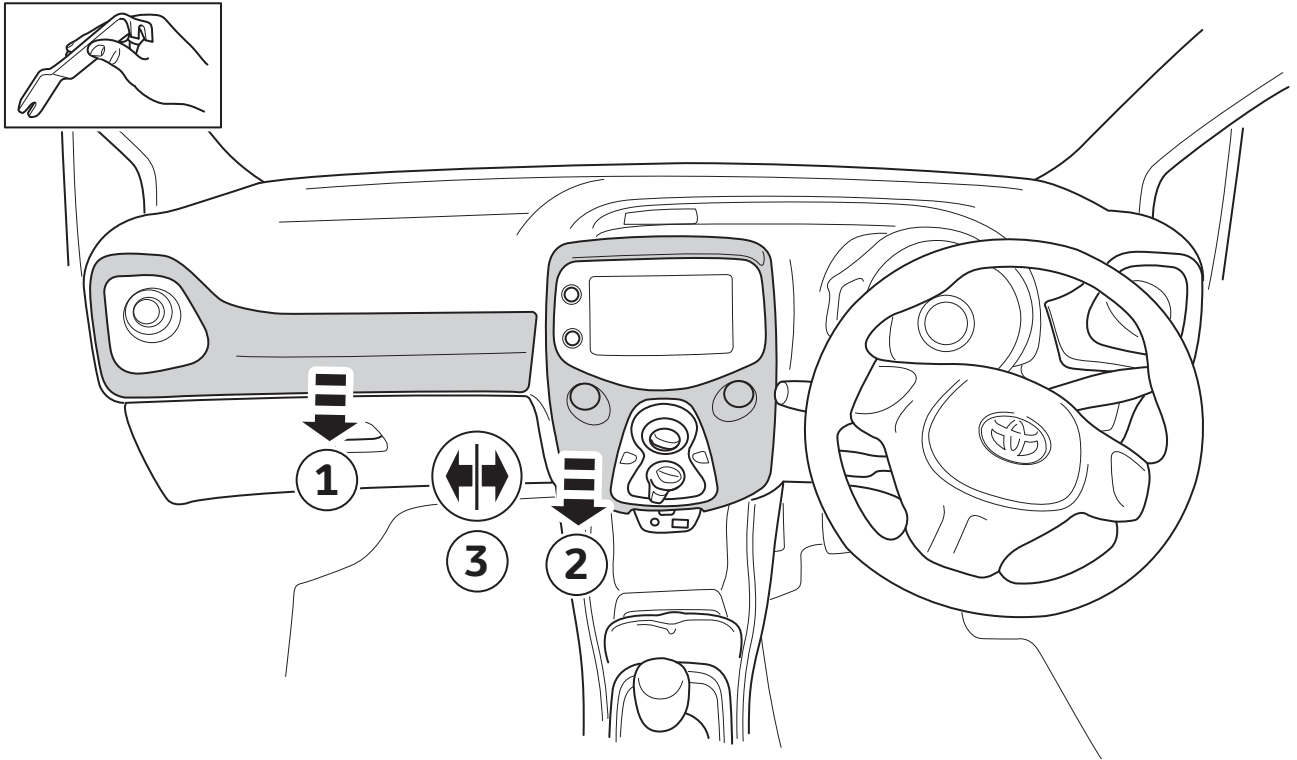
PZ41C-90331-00



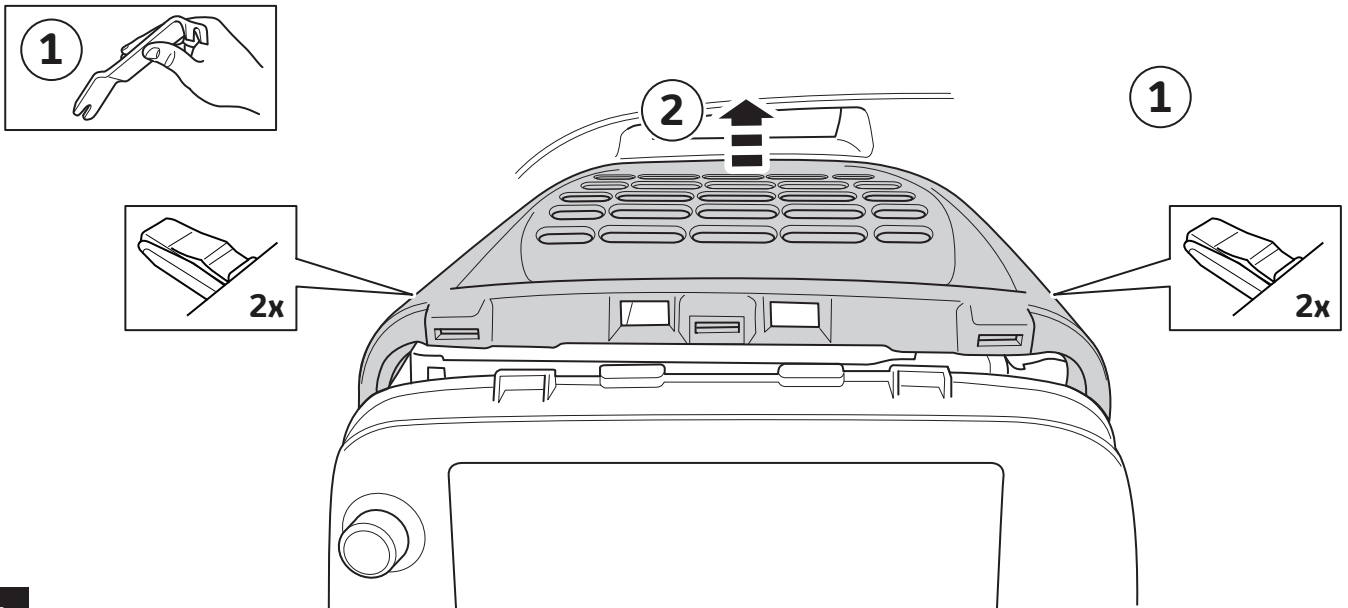




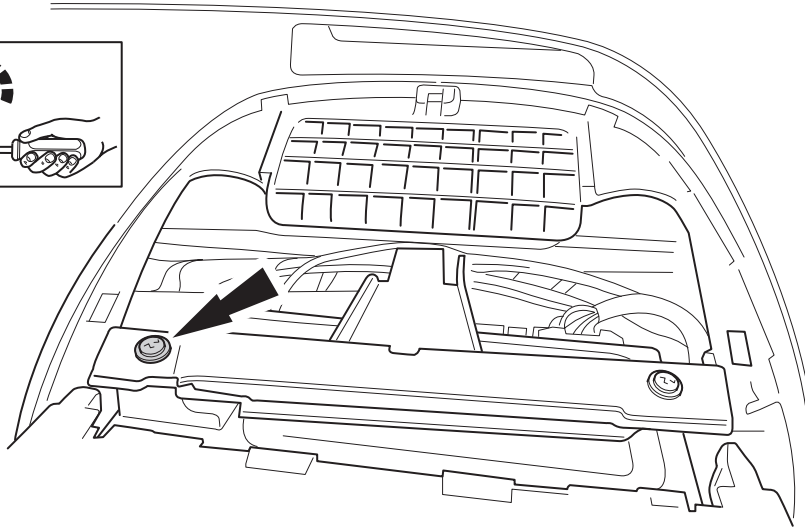
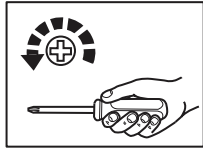
2



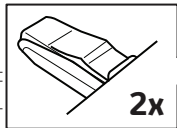
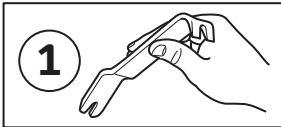
3



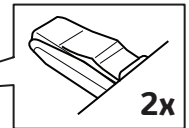
4



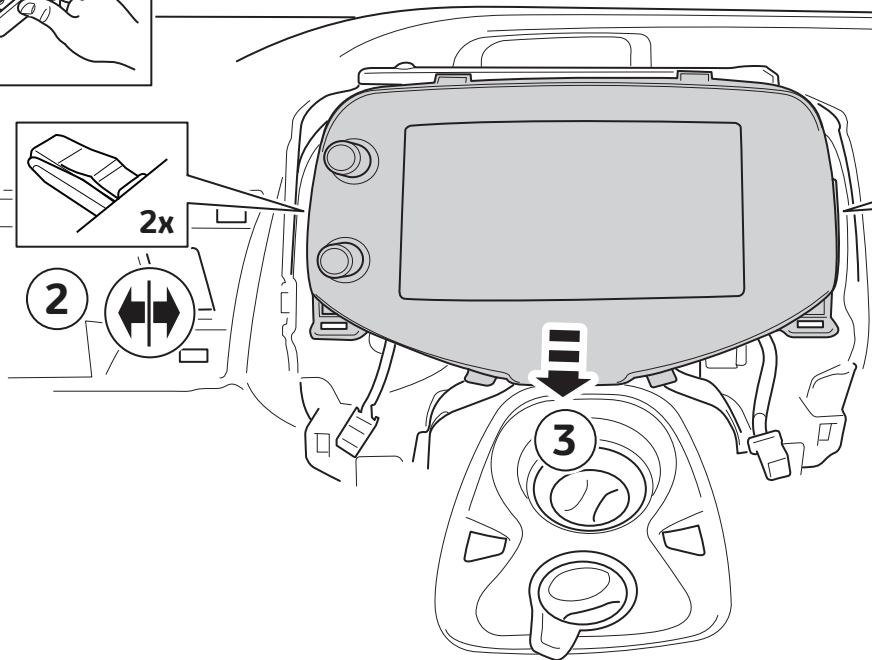
5



2

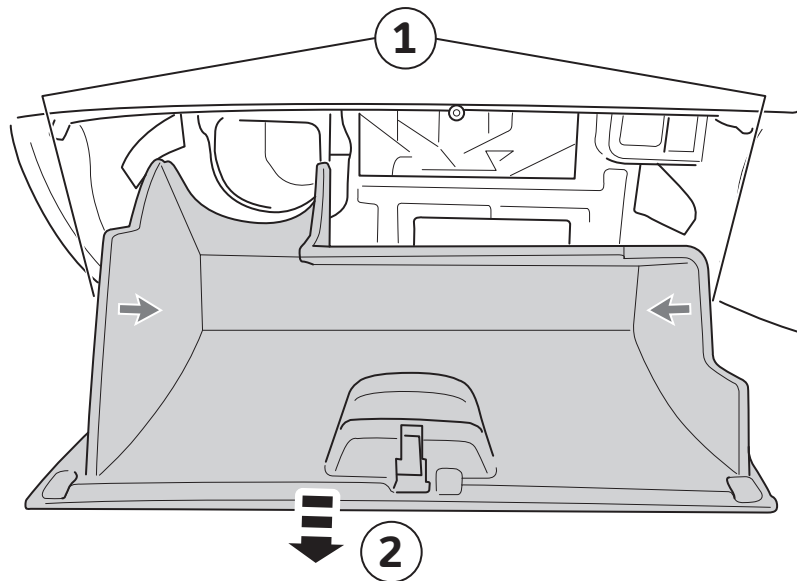


2x



3

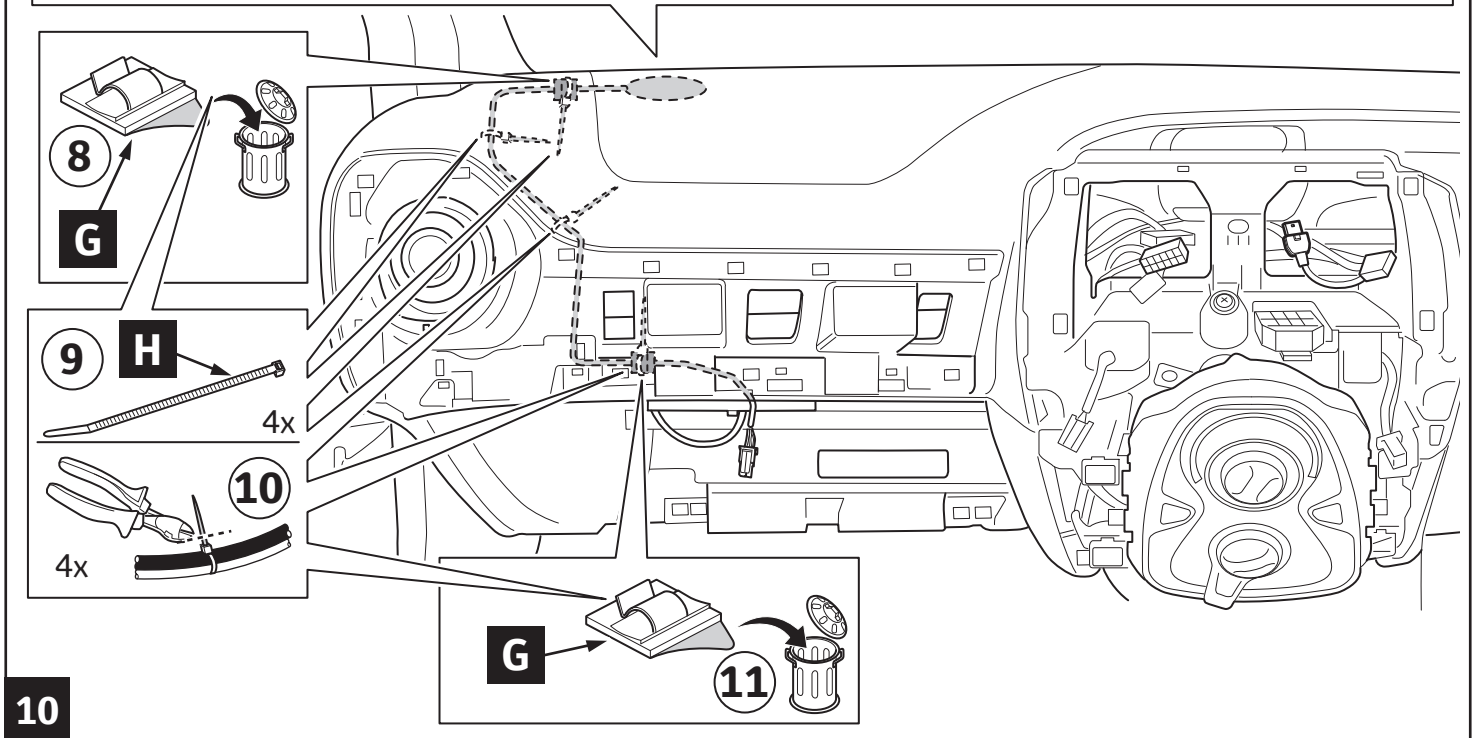
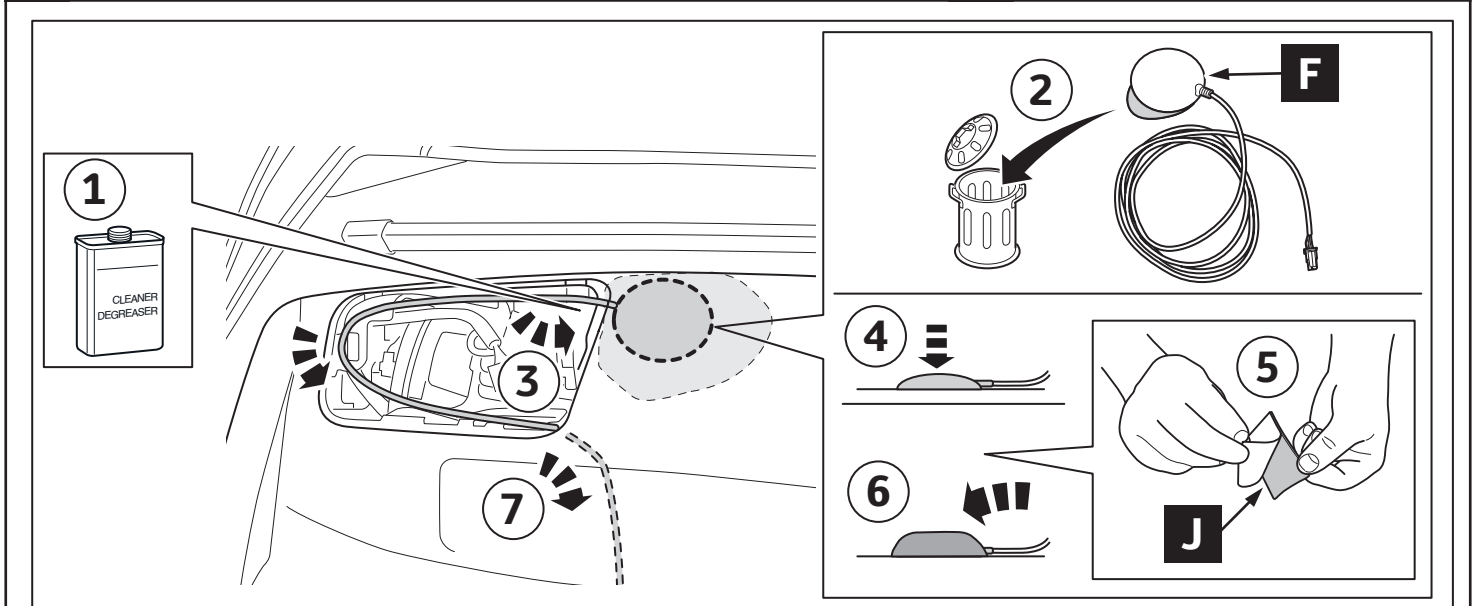
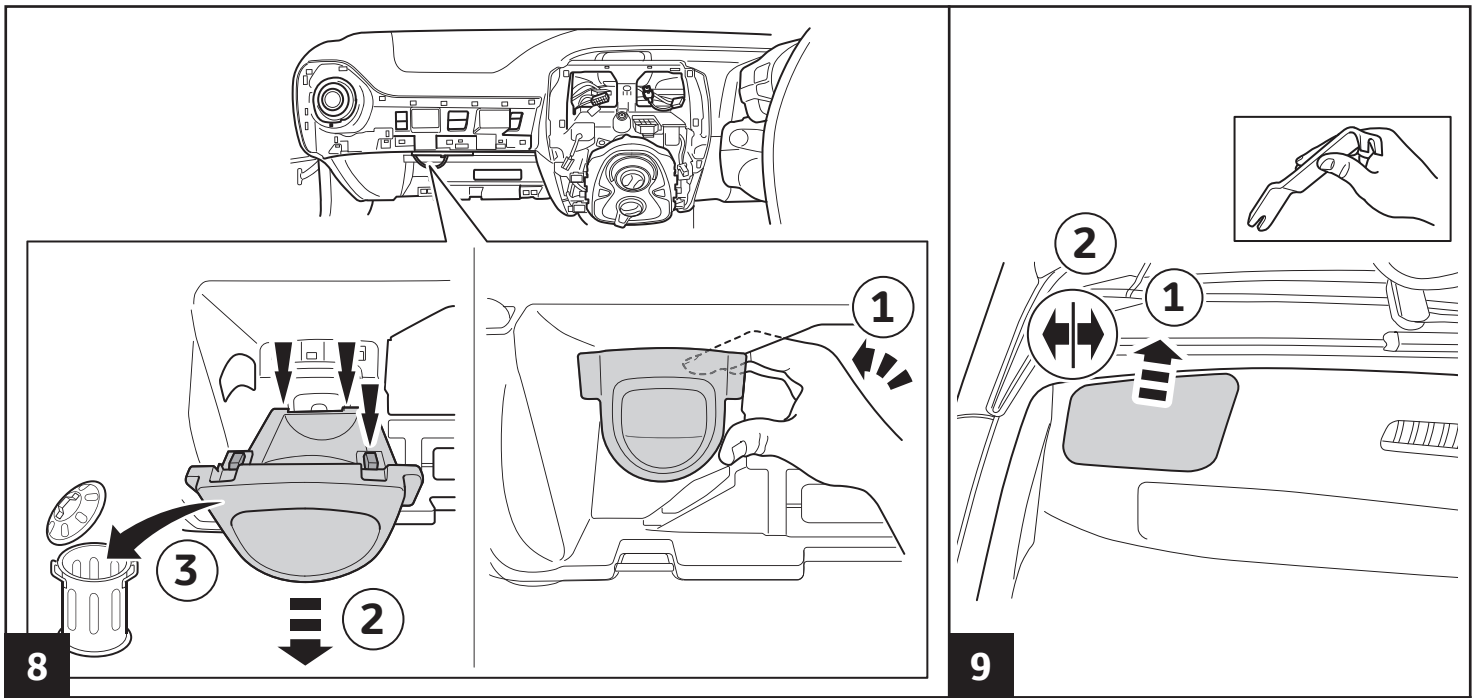
6

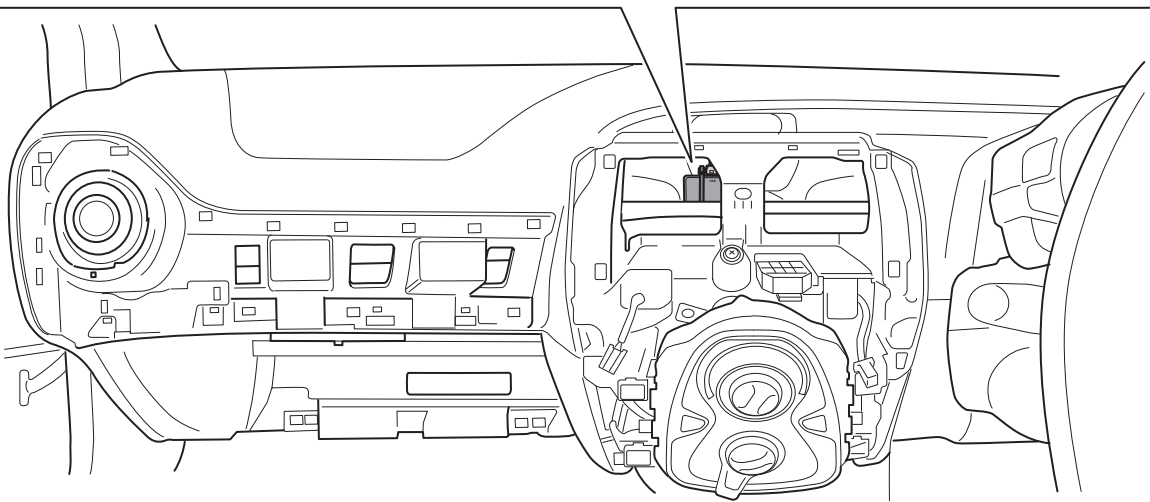
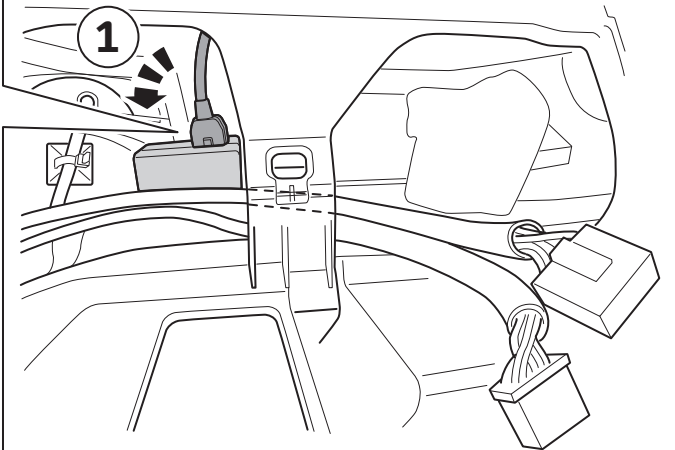
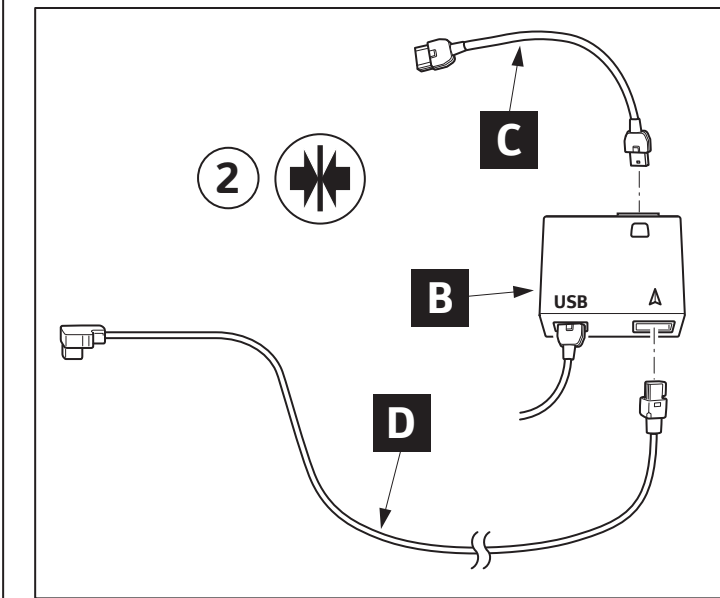


1

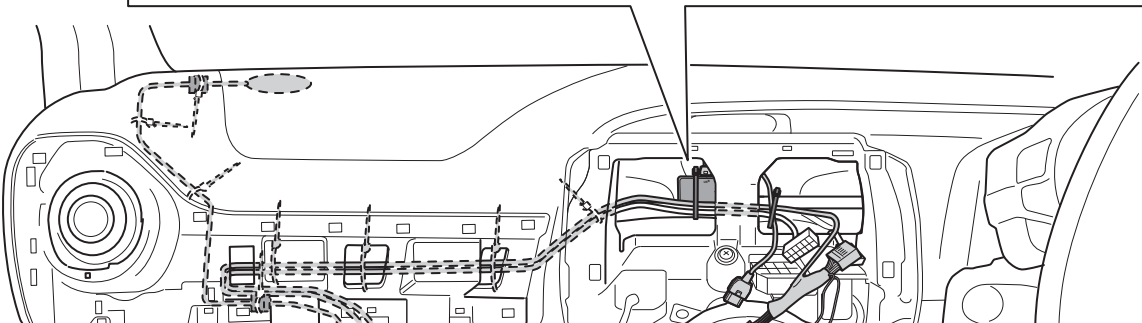
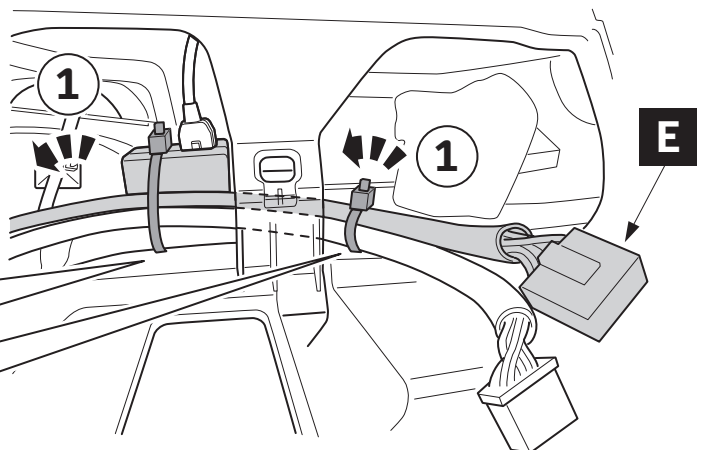
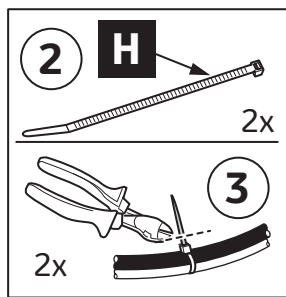
2

7

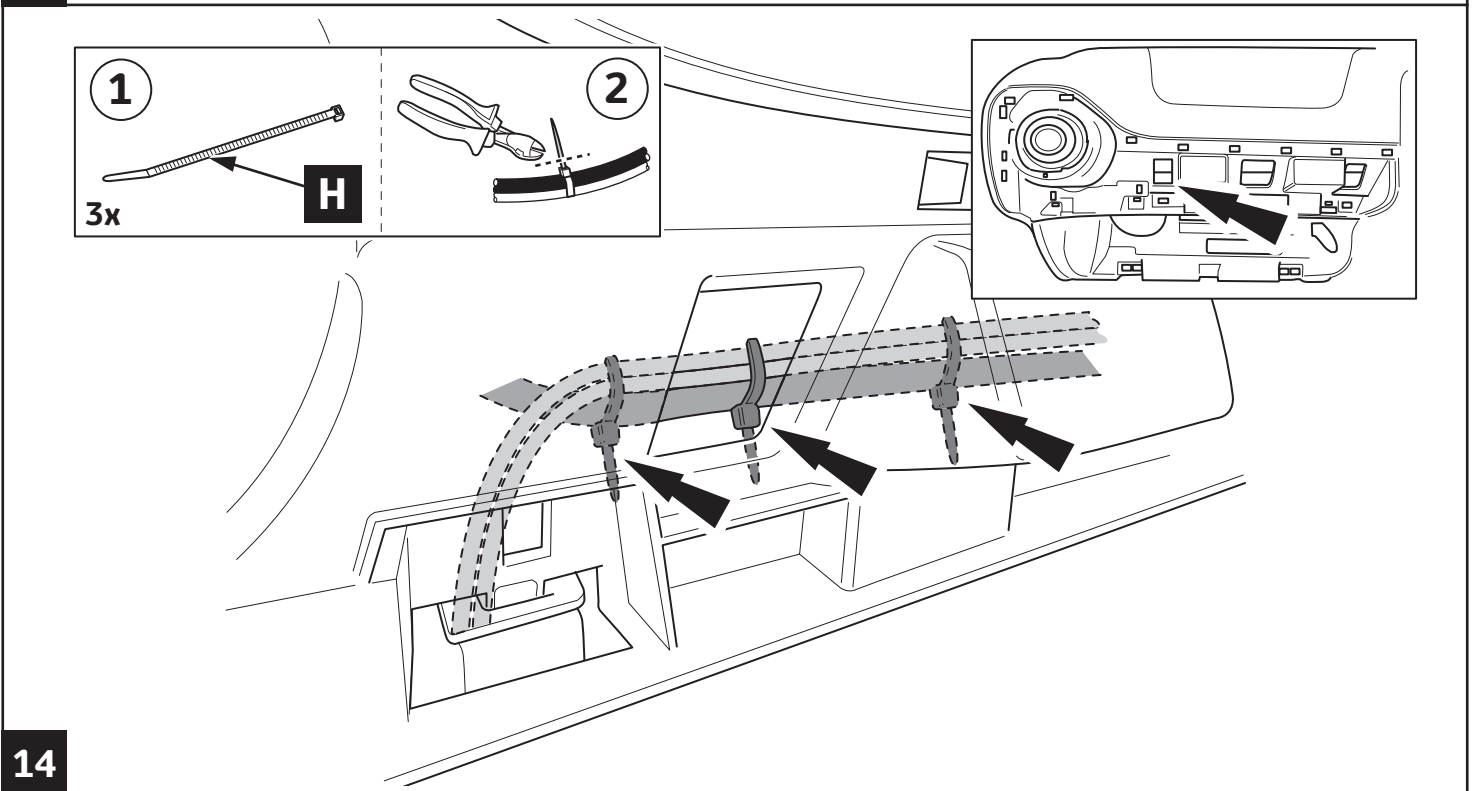
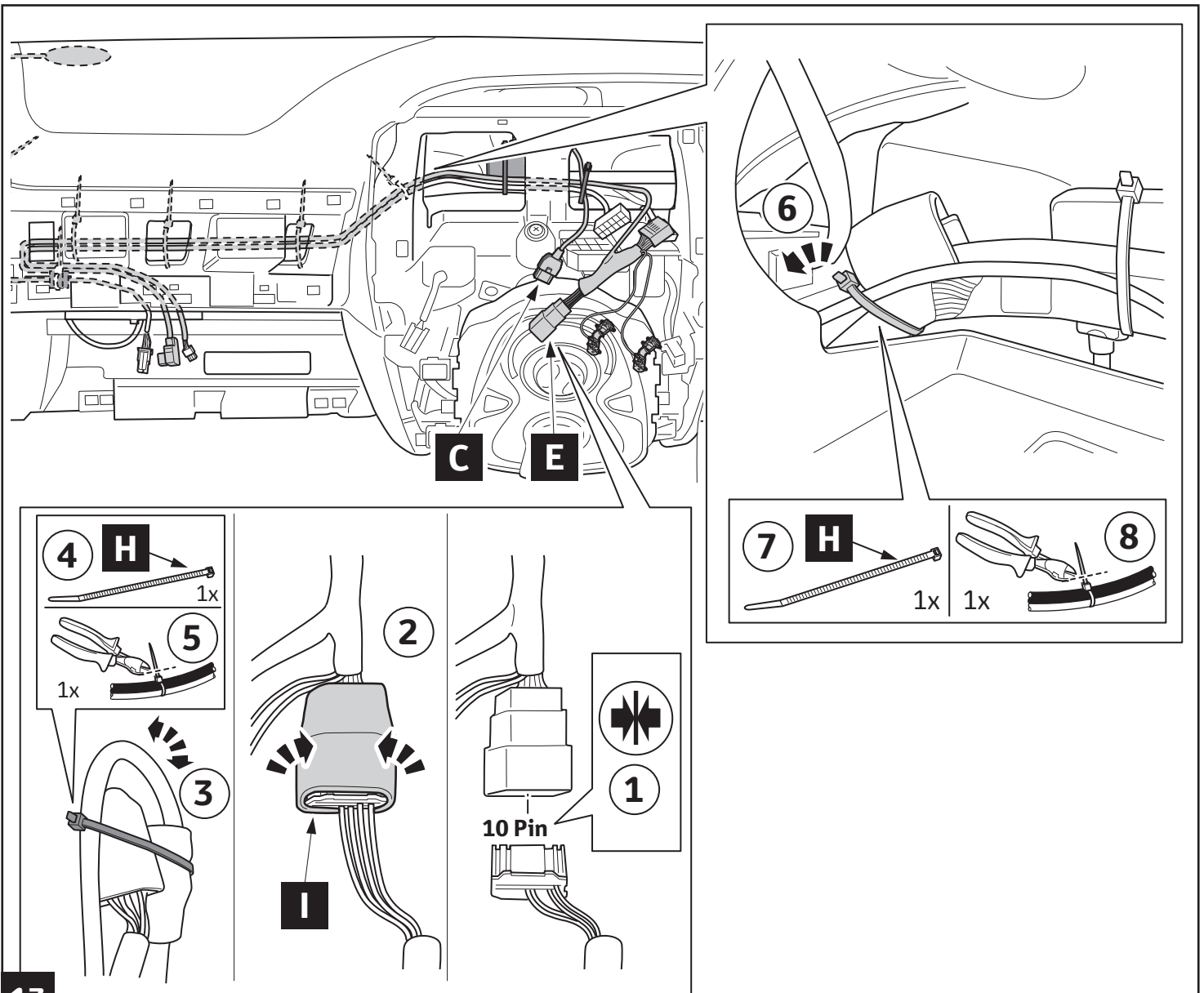


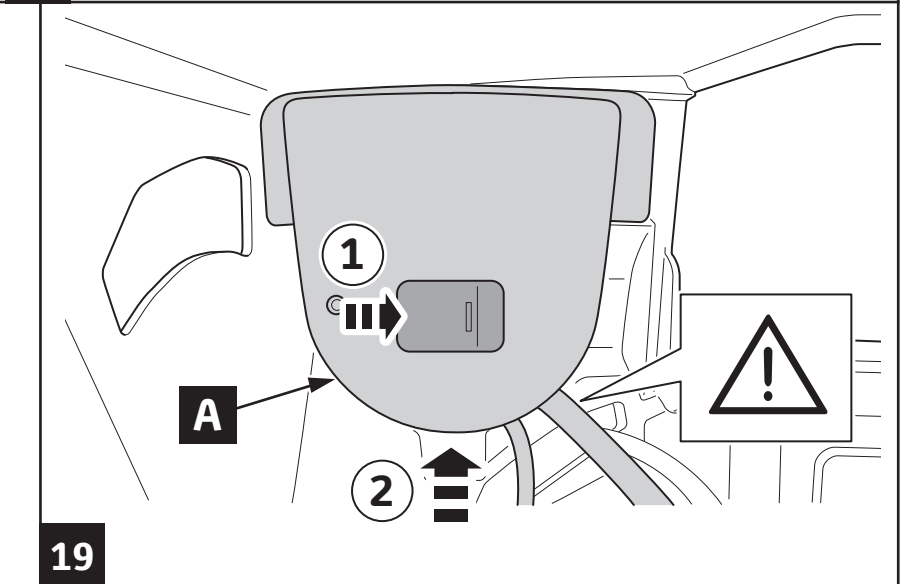
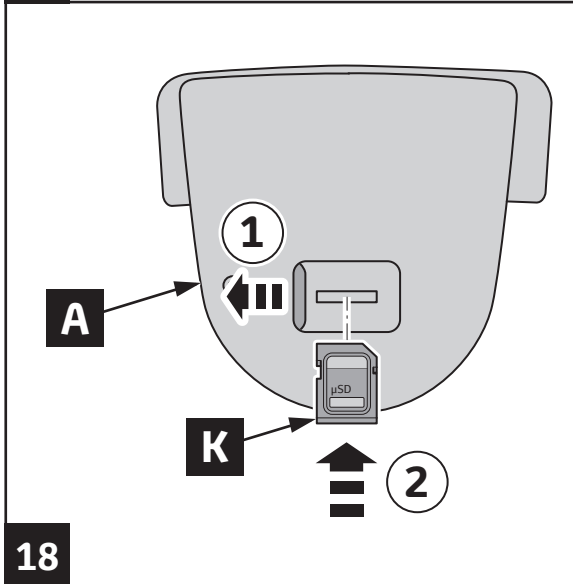
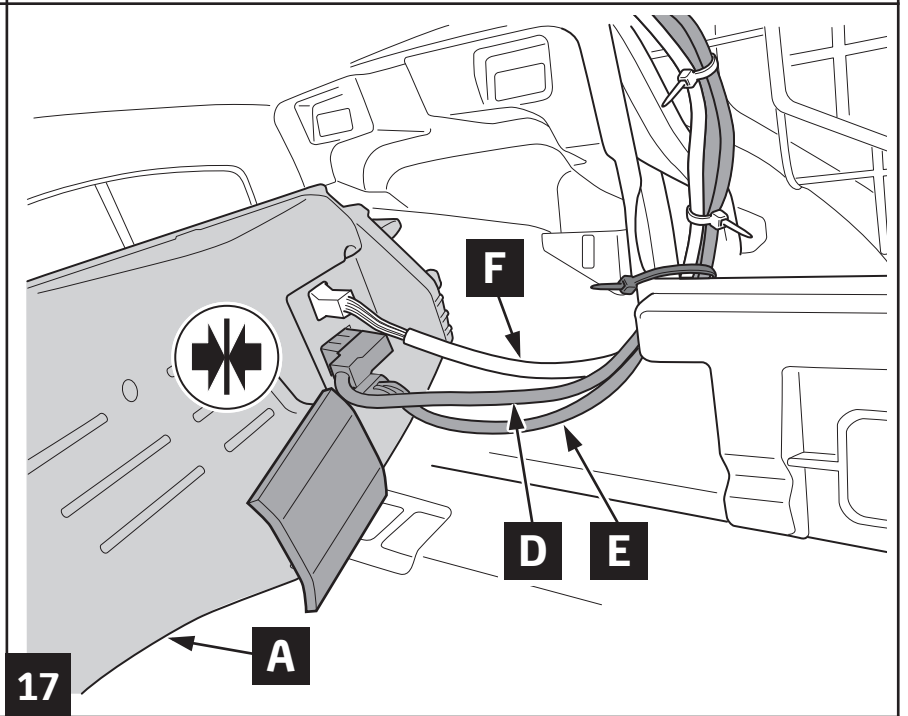
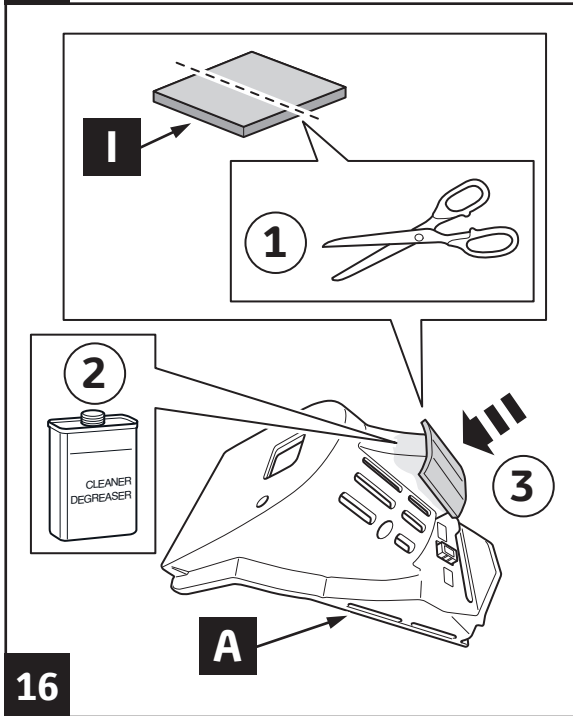
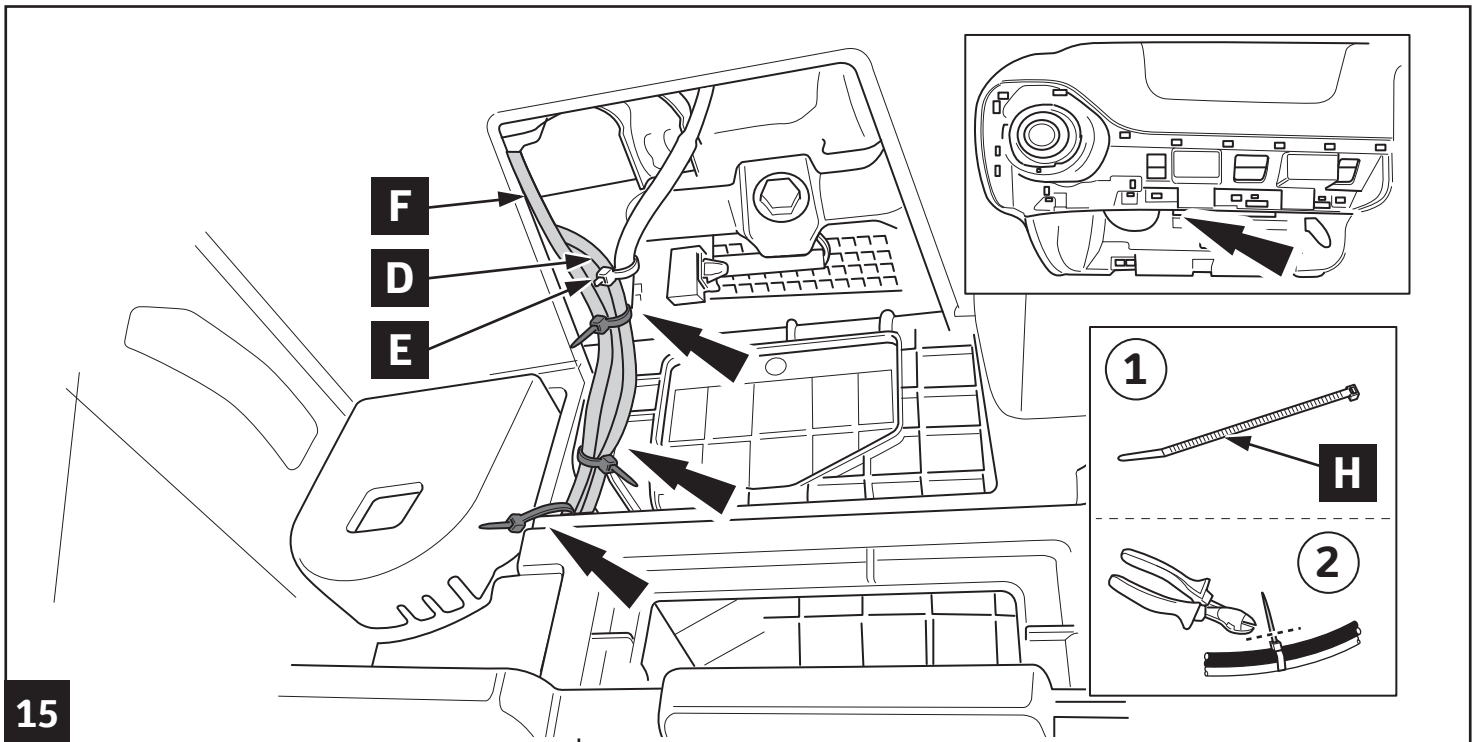


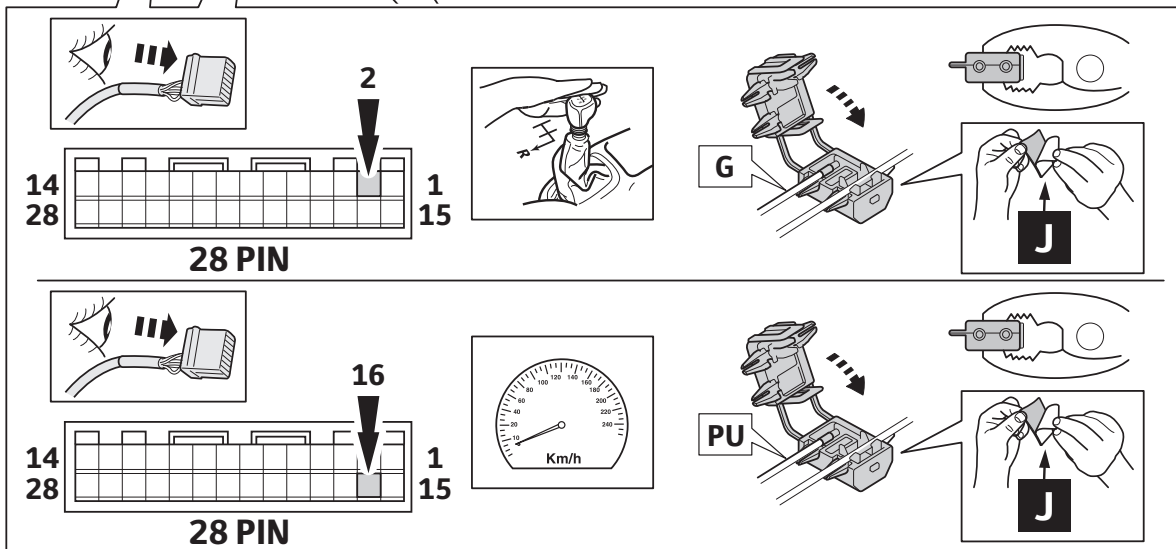
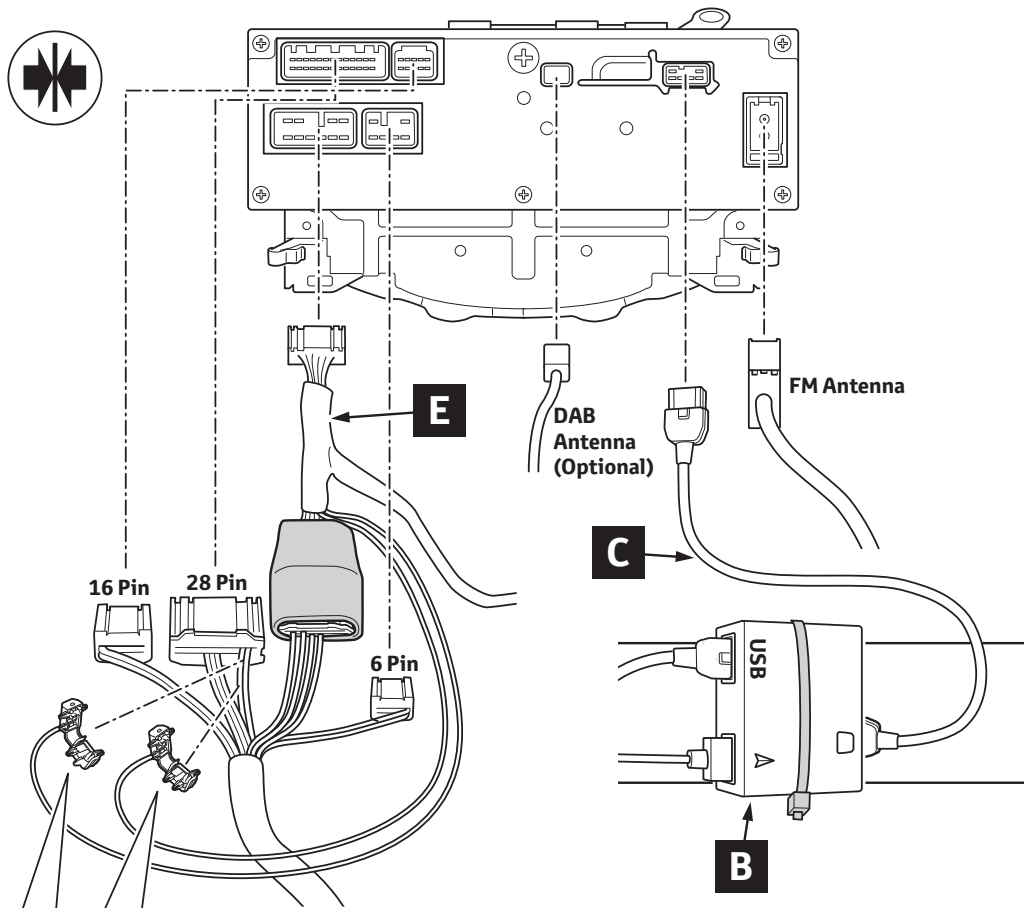
11



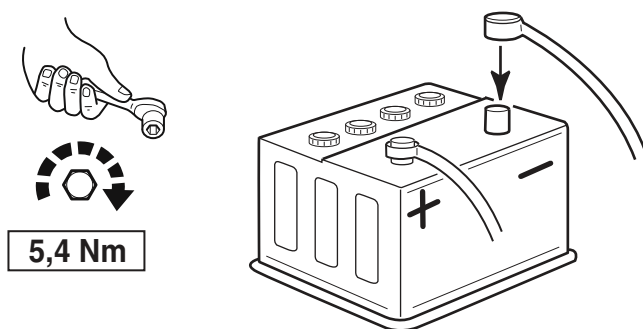
12







20



21

CHECK SHEET



TOYOTA

Model / Year **Aygo RHD 2014/05**

X NAV

VIN n°

ALWAYS A BETTER WAY

P/N = OK

USB

AUX

Serial Number

CLICK

5,4 Nm

DAB

FM-AM

OK

1 3 5
2 4

GPS

OWNERS MANUAL

= OK

= OK

= OK

Installation Date:

.. / .. / ..

Technician Name & Signature:

Stamp: