



TOYOTA

ALWAYS A
BETTER WAY

Avensis Wagon

Rear bumper protection plate

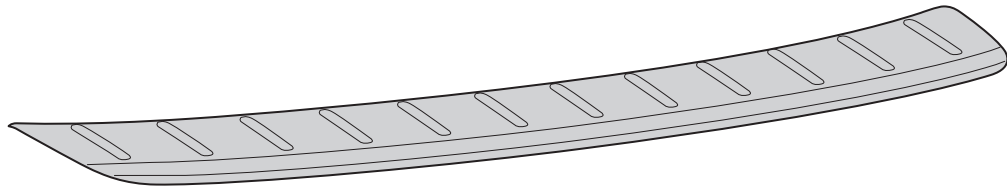
Installation Instructions

Model year: 2015/05
Vehicle code: **T***-AW**PW
Part number: PW178-05002 Bumper plate brushed

Manual reference number: AIM 003 332-0

Revision record

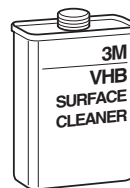
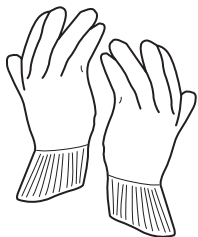
Rev. No.	Date	Page	Picture	Update	New	Deleted steps



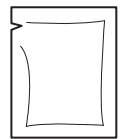
A

PW178-05002

1x



PZ415-00000-00



**adhesion promoter
3M 4298 UV**

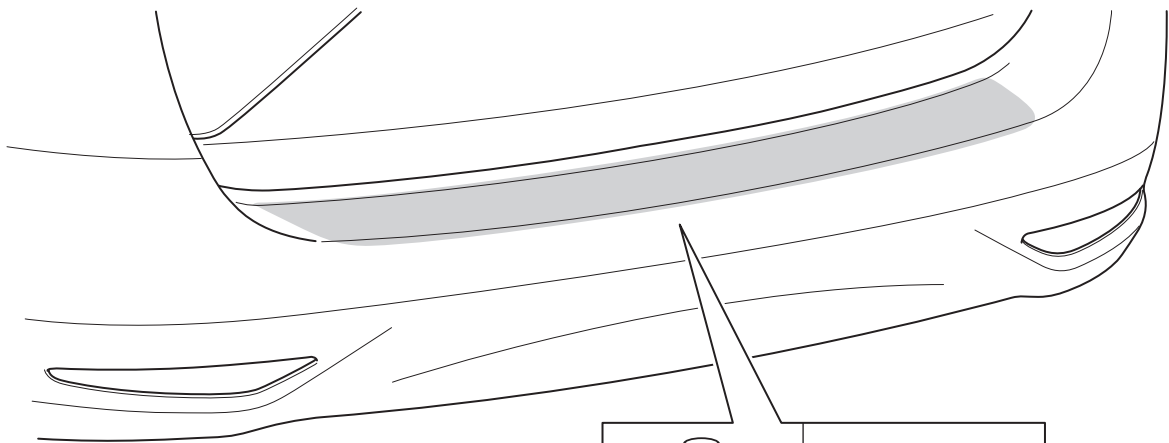
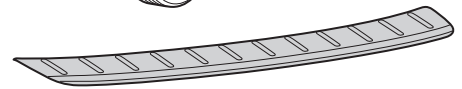
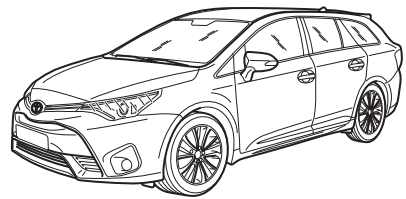


40°C

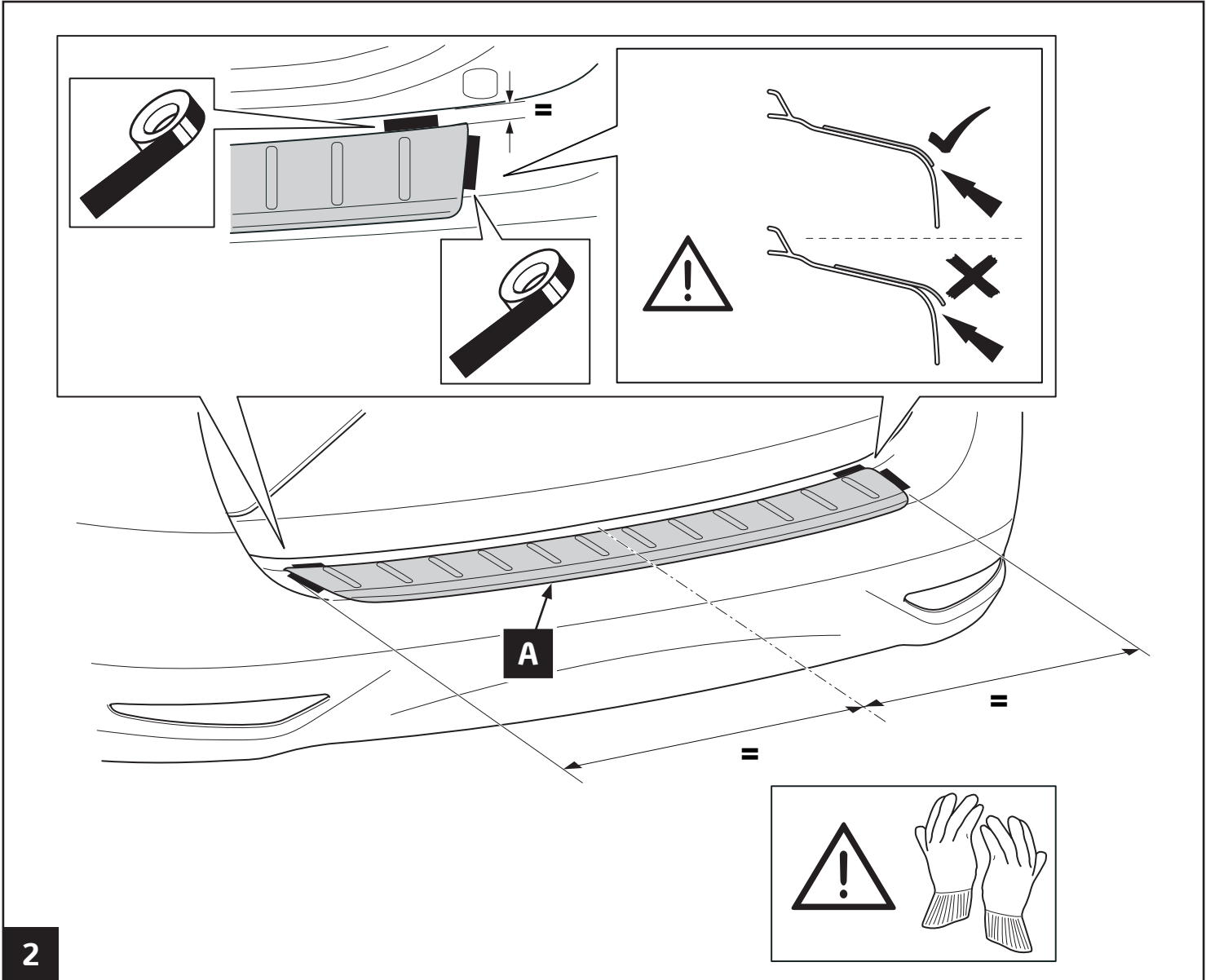
18°C



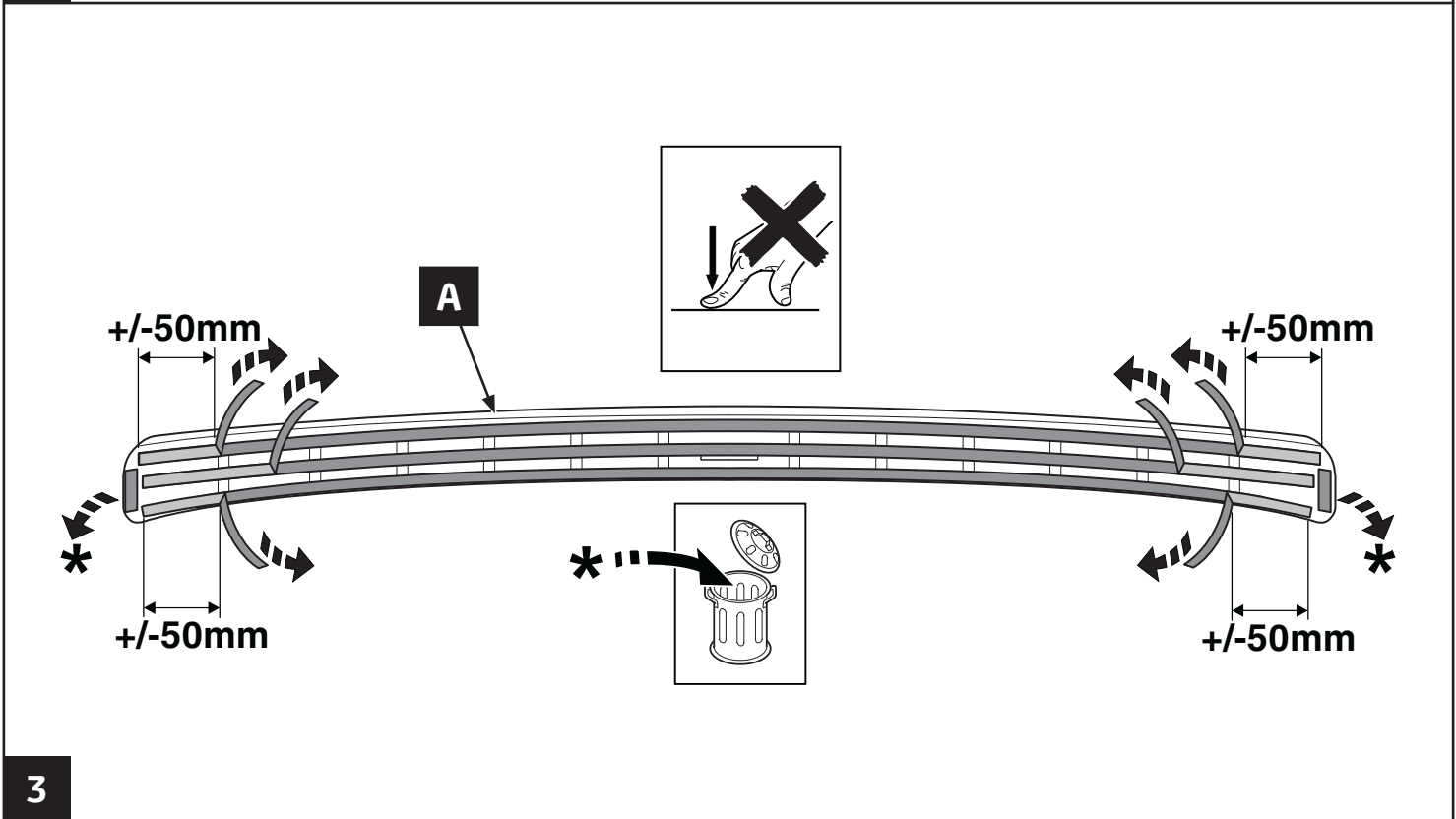
0-95%



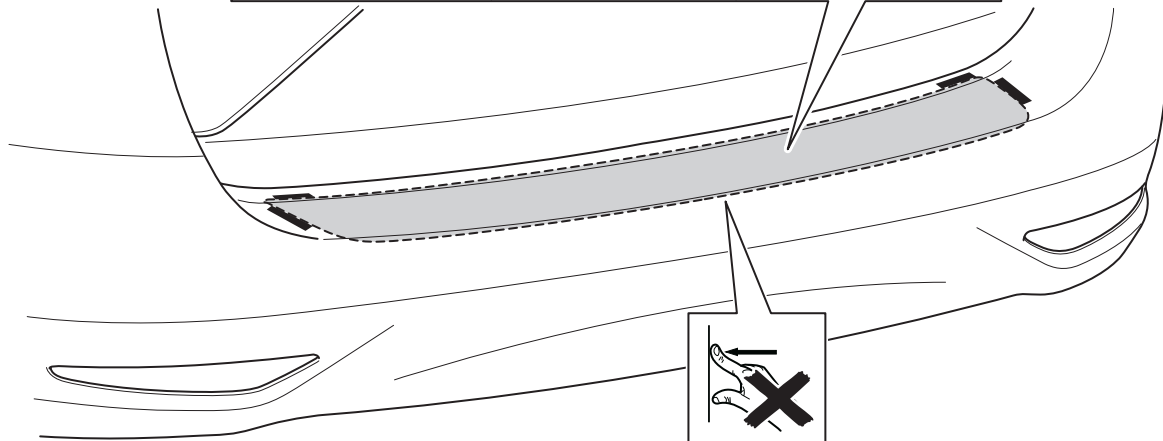
1



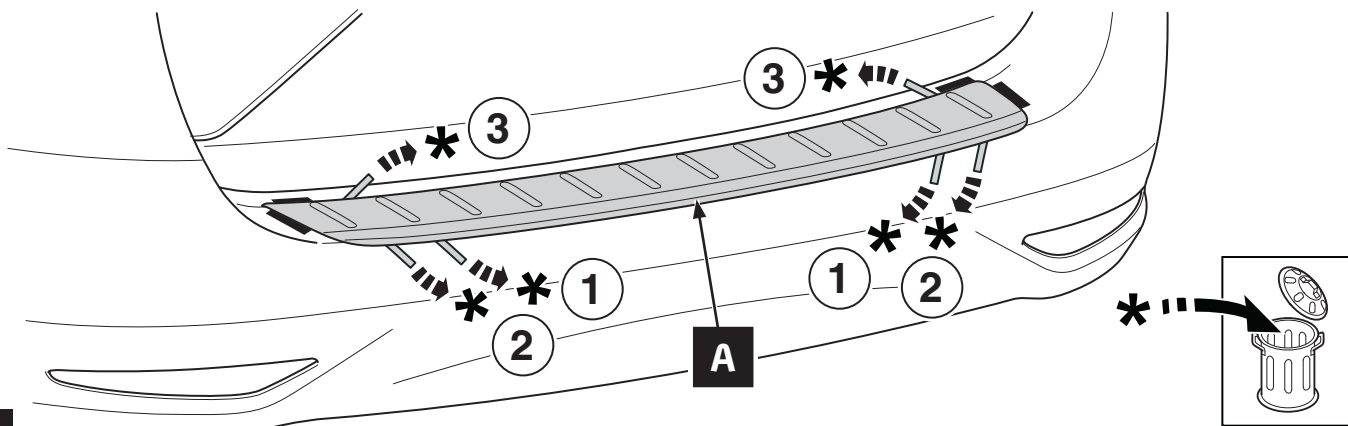
2



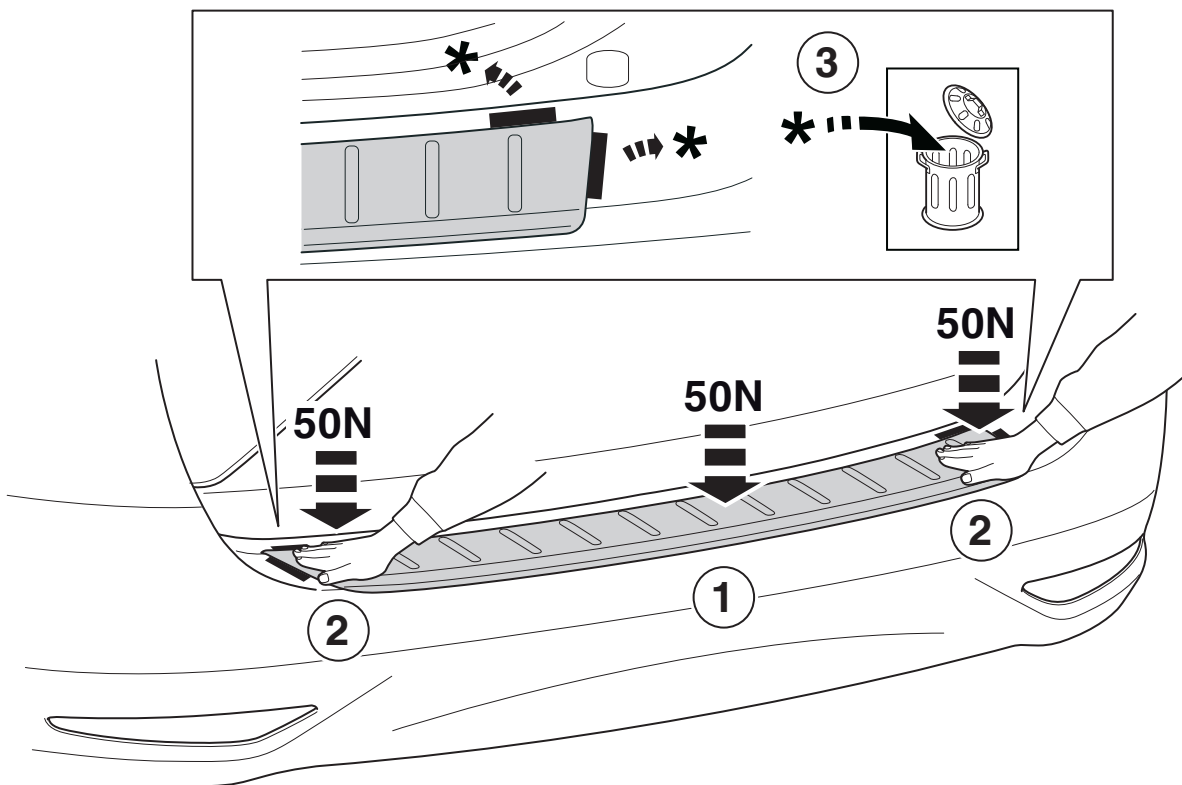
3



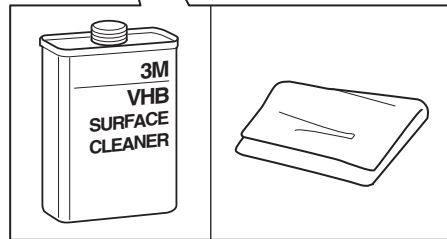
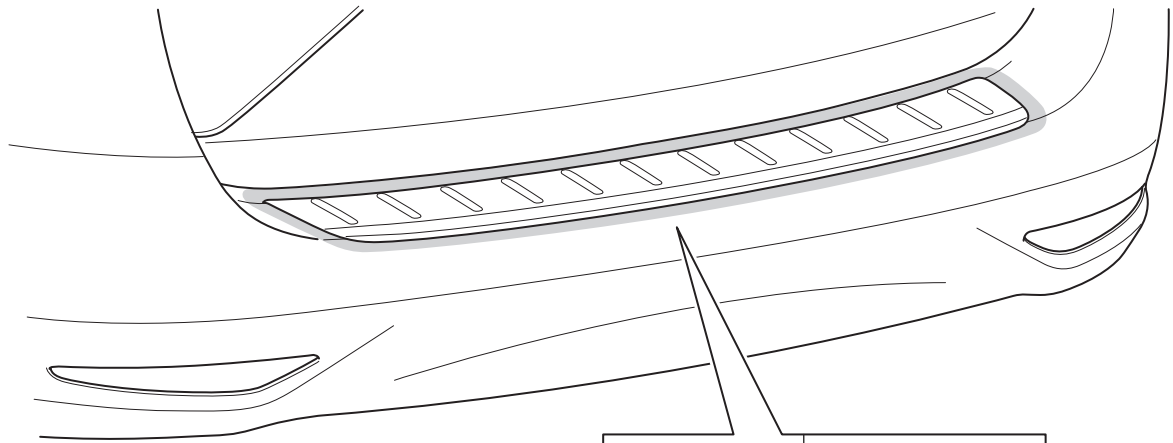
4



5



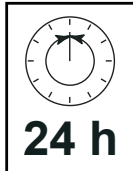
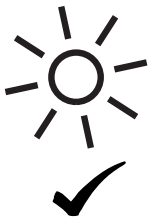
6



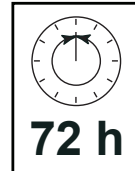
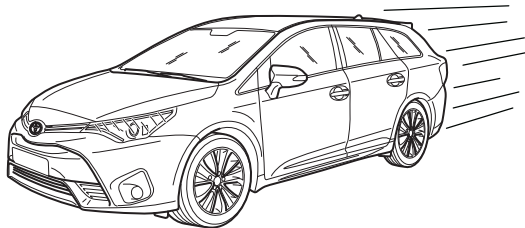
7



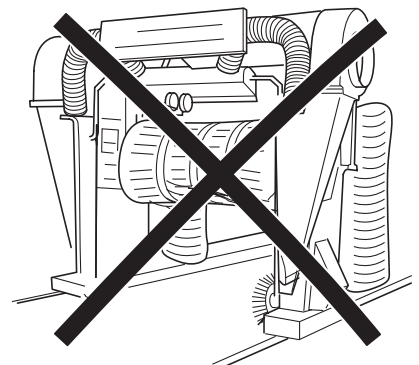
5 min.



24 h



72 h



8

CHECK SHEET



TOYOTA

Model / Year **Avensis Wagon** **Brushed rear bumper protection plate**
 2015/05

VIN n°

ALWAYS A BETTER WAY

P/N = OK

= OK

Installation Date:
 . . / . . /

Technician Name & Signature:

Stamp: