



**TOYOTA**

ALWAYS A  
BETTER WAY

# Yaris

## Exhaust pipe Finisher

Installation Instruction

Model year: 2011/07, 2014/07, 2017/03

Vehicle code: KSP130\*

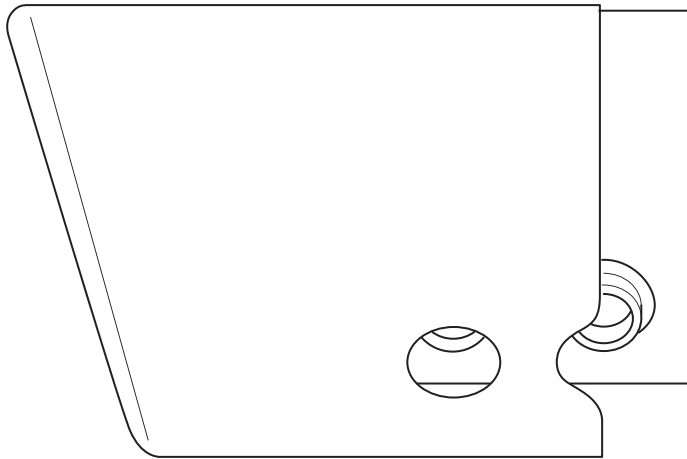
Part number: PZ467-B9496-00

Manual reference number: AIM 002 302-2

# Revision Record

Rev. No.	Date	Page	Picture	Update	New	Deleted steps
1	05-05-14	all	all	X	Check Sheet	
2	29-07-16				Model Year	

## PZ467-B9496-00



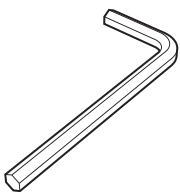
**M8x14**

**A**

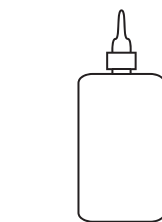
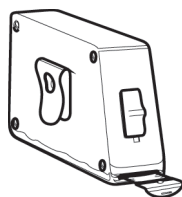
1x

**B**

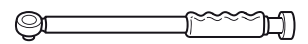
4x



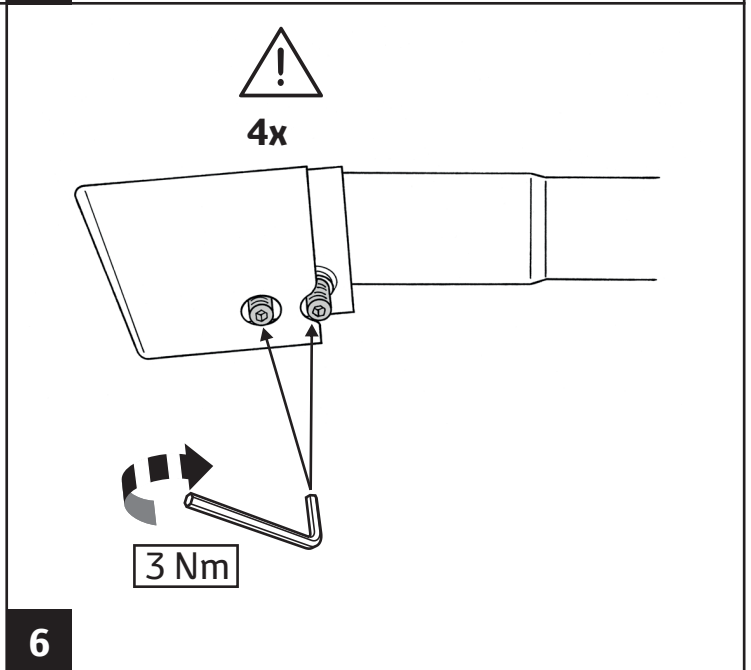
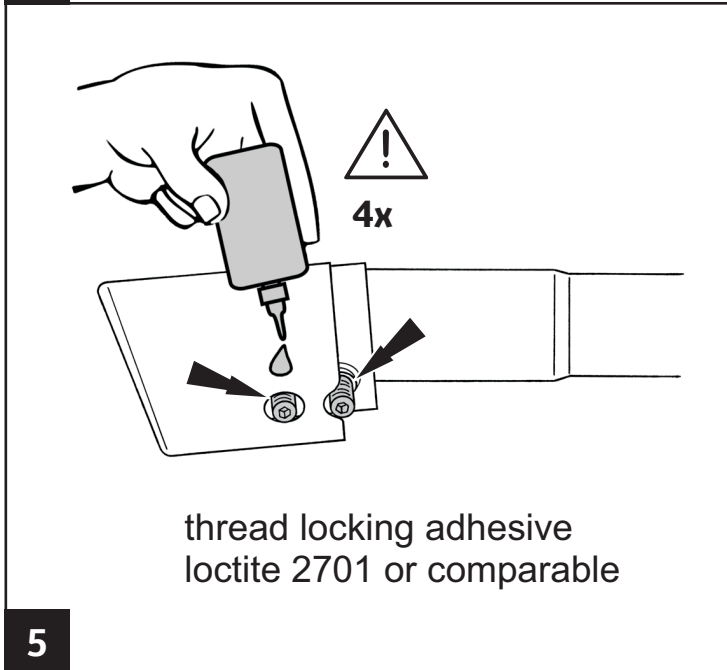
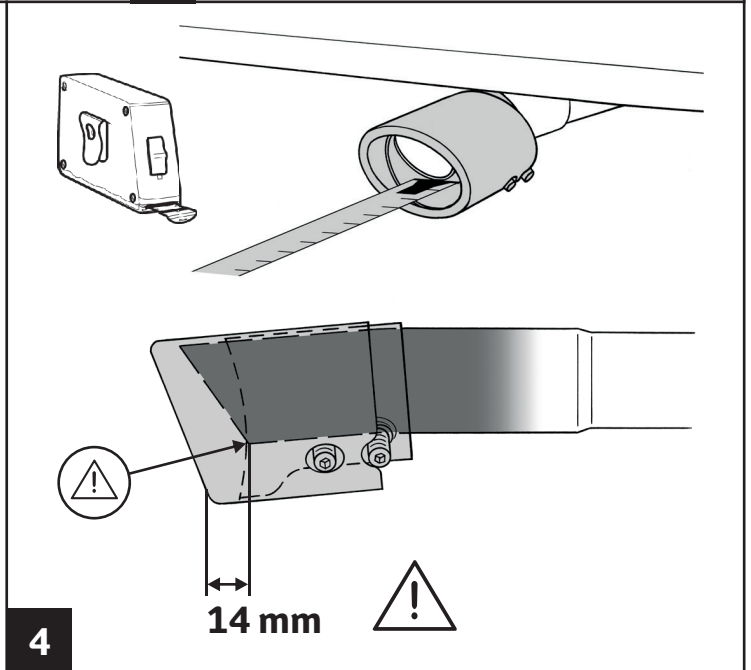
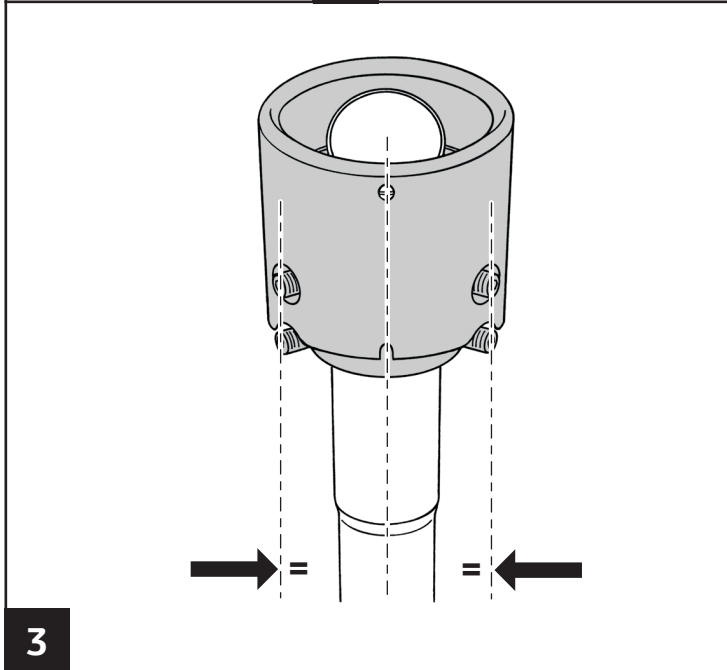
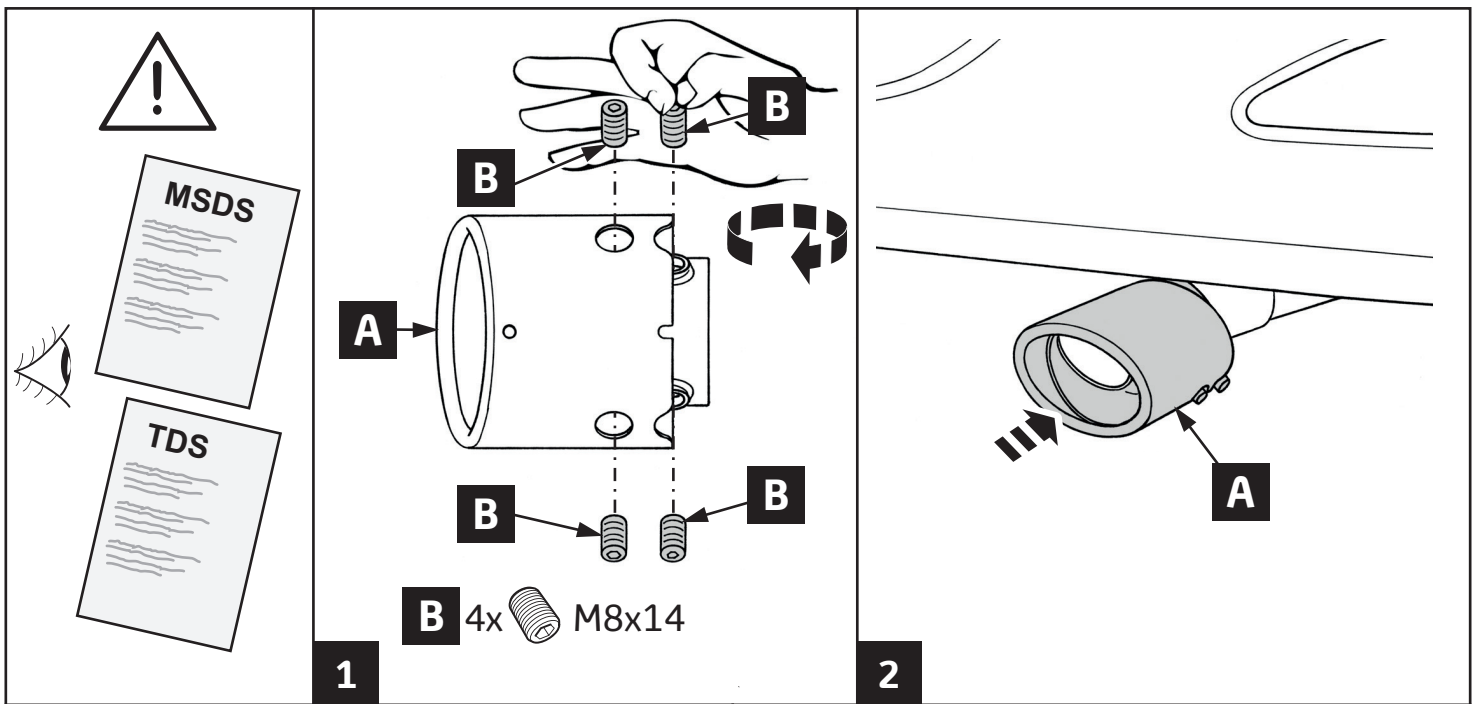
**4 mm**



**loctite 2701**



**Click**



# CHECK SHEET



**TOYOTA**

Model / Year **Yaris 2011/07, 2014/07, 2017/03** Exhaust Pipe Finisher

VIN n°

ALWAYS A BETTER WAY

**P/N = OK**

**14 mm**

**loctite 2701**

**! 4x**

**3 Nm**

**Serial Number**

**= OK**

**= OK**

**Installation Date:**

... / ... / ...

**Technician Name & Signature:**

**Stamp:**