



TOYOTA

ALWAYS A  
BETTER WAY

# COROLLA HB & TS/ COROLLA Sedan RAV4 / CAMRY / Toyota C-HR / Prius

## Key Cover

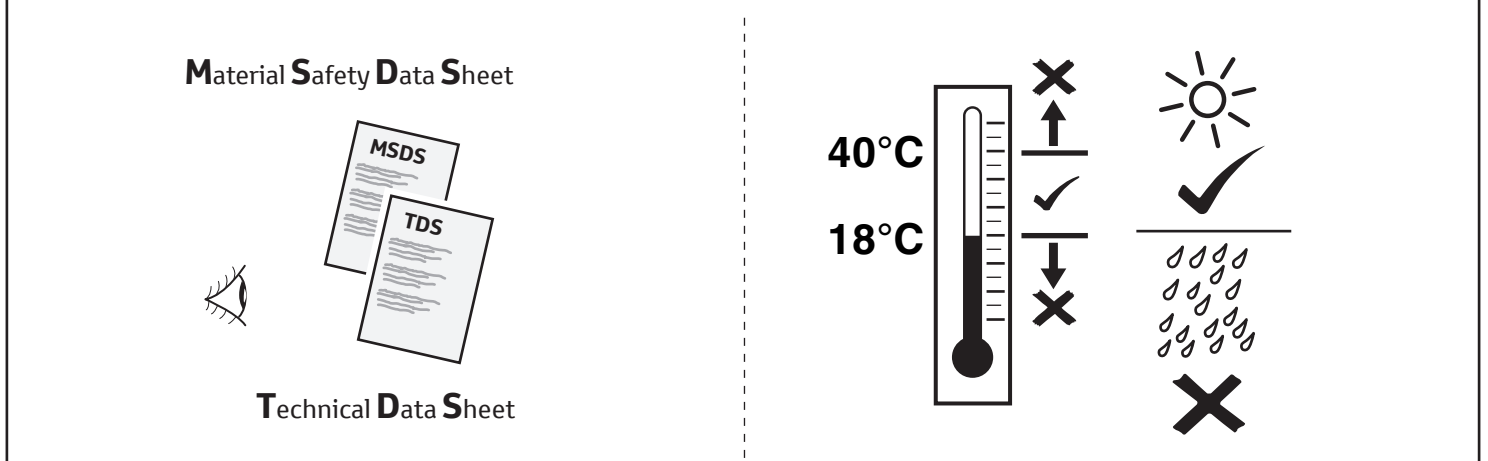
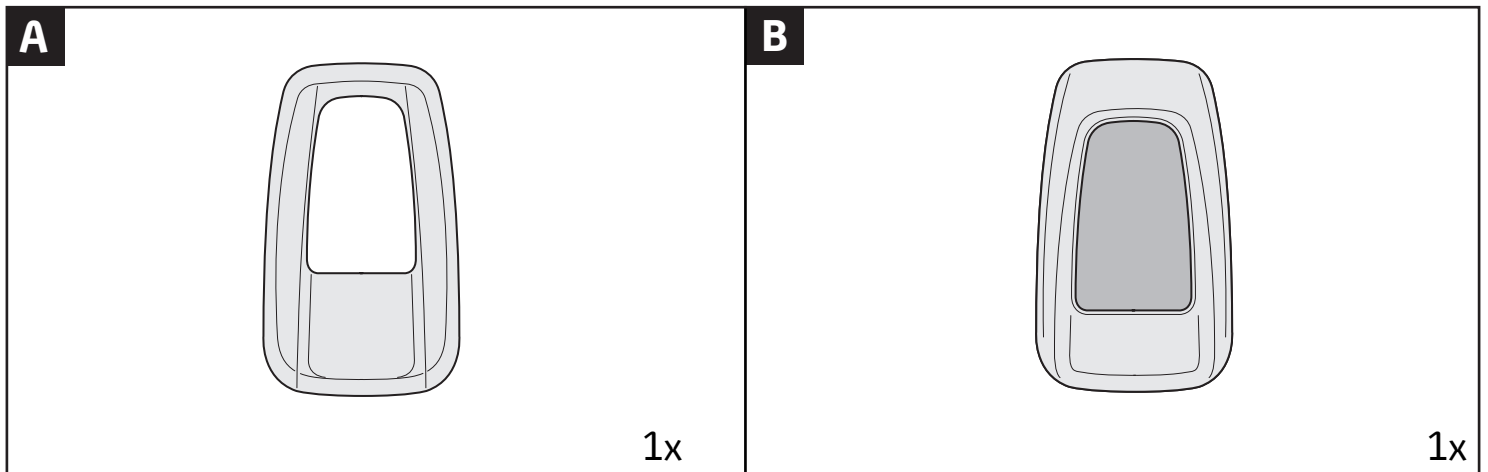
Installation Instructions

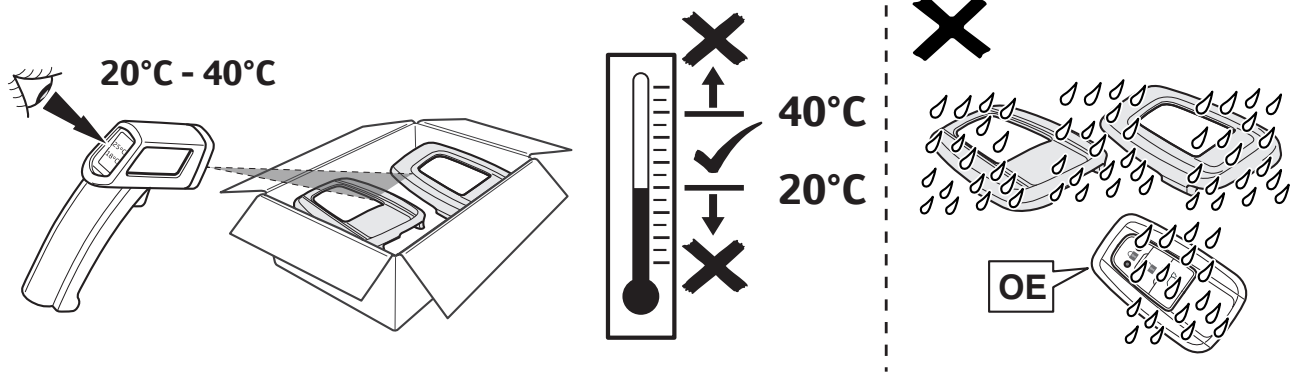
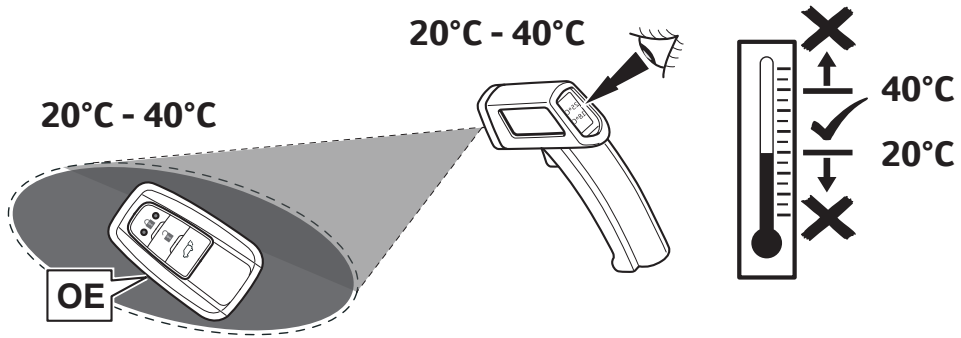
Model year:	COROLLA HB & TS As from 2019/11 COROLLA HB & TS Hybrid As from 2019/01 COROLLA Sedan As from 2019/01 RAV4 Hybrid As from 2018/11 CAMRY As from 2021/02 CAMRY Hybrid As from 2019/02 Toyota C-HR Hybrid As from 2018/05 Prius Hybrid As from 2018/12 Prius Plug-in Hybrid As from 2019/05
Vehicle code:	COROLLA HB & TS NRE210*-DH**ZW / NRE210*-DW**ZW ZWE211*-DHX*BW / ZWE211*-SWX*BW MZE112*-DHX*BW COROLLA HB & TS Hybrid ZWE211*-D*X*BW COROLLA Sedan ZWE211*-DEX*BW RAV4 Hybrid AXAH5**-ANX*BW CAMRY MXVA71L-REXNBX/ AXVA70L-REZNBX / GSV70L-REZGBX CAMRY Hybrid AXV*7***-AE**BW, GSV*7***-AE**BW Toyota C-HR Hybrid (2018/05) ZYX10*-AHX*BW Toyota C-HR Hybrid (2019/10) **X***-AHX*BW Prius Hybrid ZVW5**-AHXE1W Prius Plug-in Hybrid ZVW52*-AHXE1W
Part number:	PW031-02001 PW031-02002 (Only for COROLLA HB & TS) PW031-0600 (Only for CAMRY)

Manual reference number: AIM 004 131-5

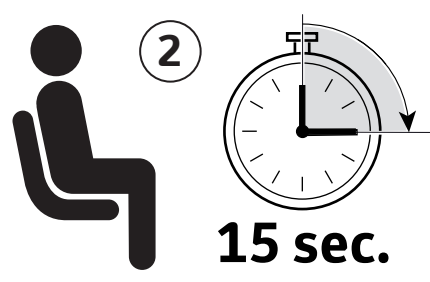
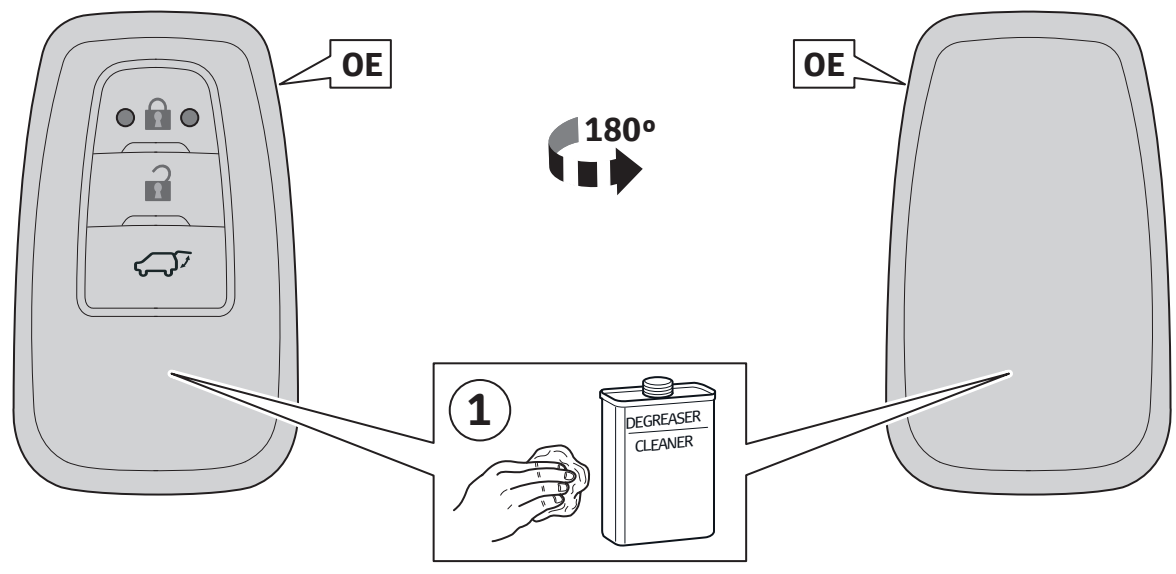
# Revision record

Rev. No.	Date	Page	Step	Remarks
△2	23.07.2019	3, 5	1, CS	Added
△3	30.09.2019	1, 5	1, CS	Models added
△4	21.09.2020	1, 5		Model year & veh code updated
△5	22.04.2021	2, 4	Tools, 3, 5	Tool added
△5	22.04.2021	3	2	Time added
△5	22.04.2021	5, 6	7, 8, CS	Steps added Check added



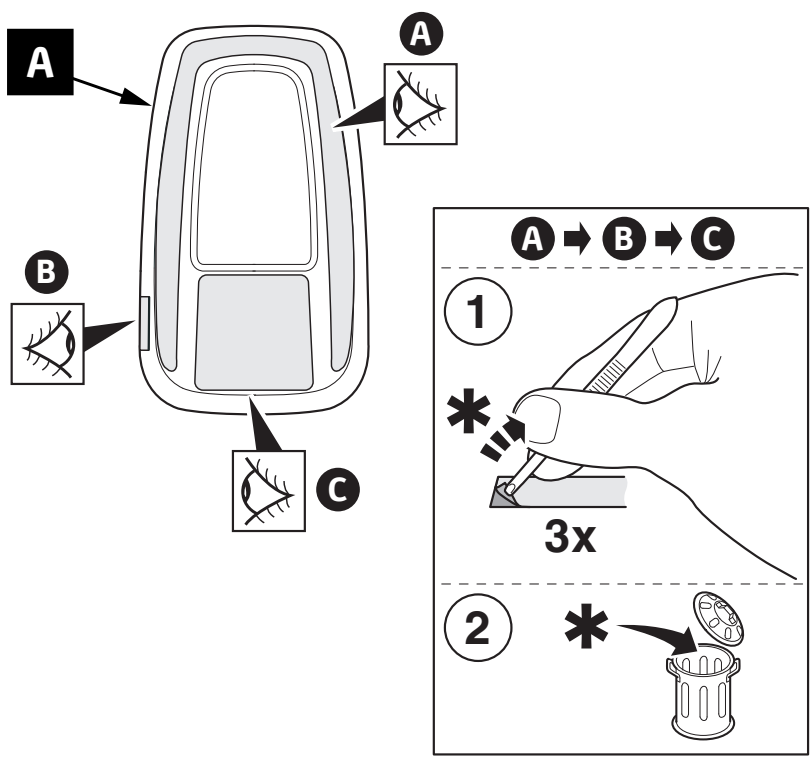


1

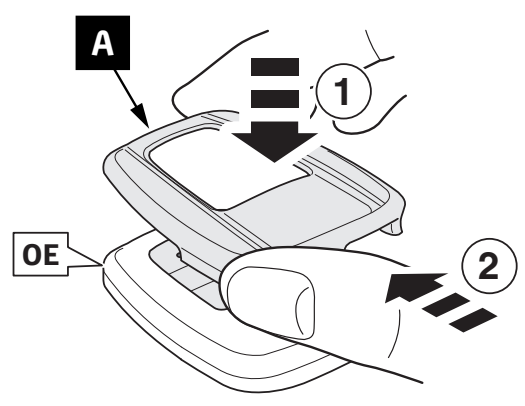


2

5

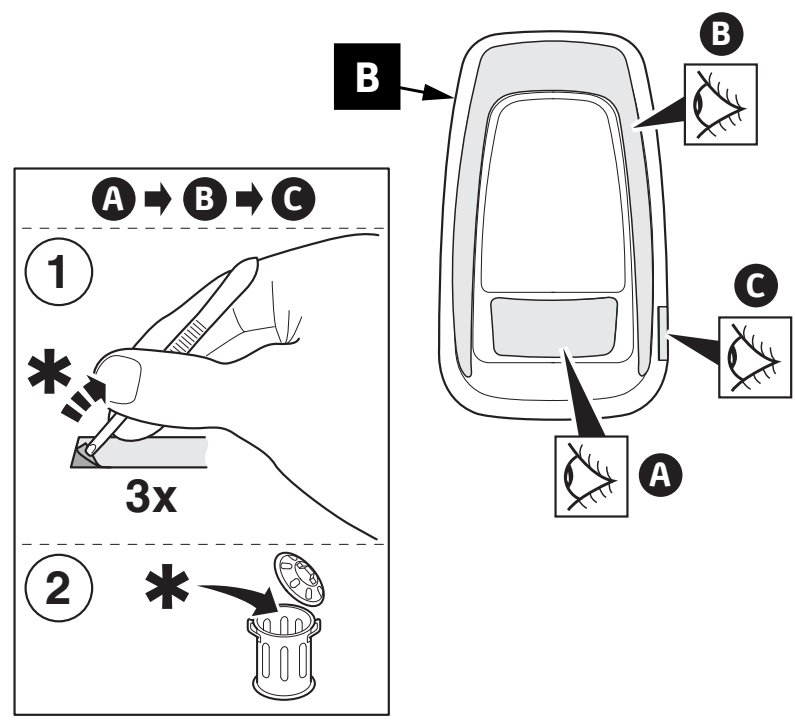


3

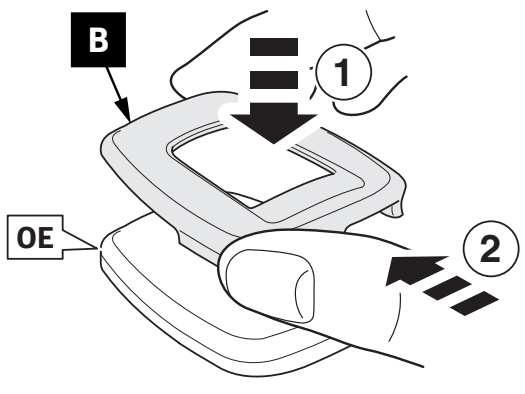


4

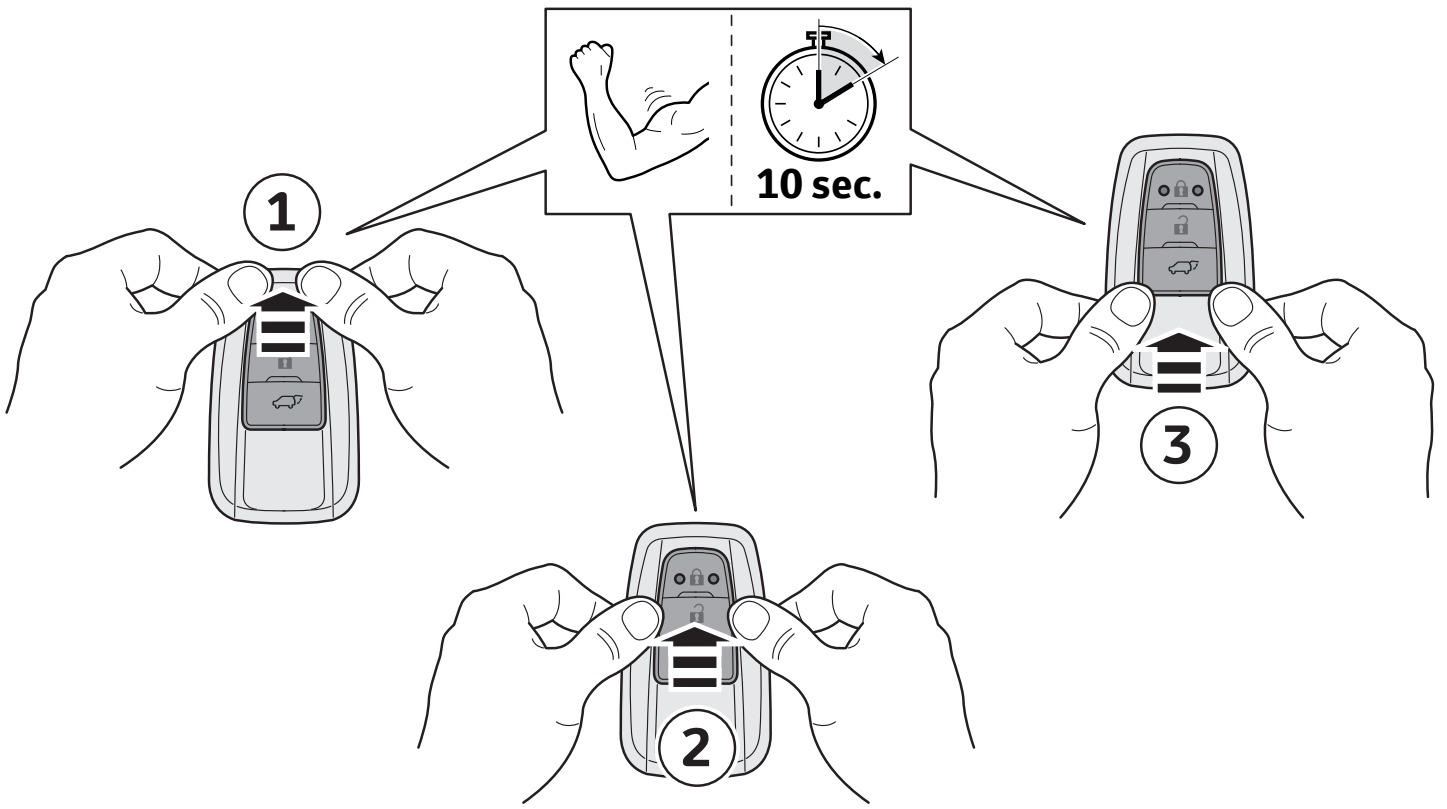
5



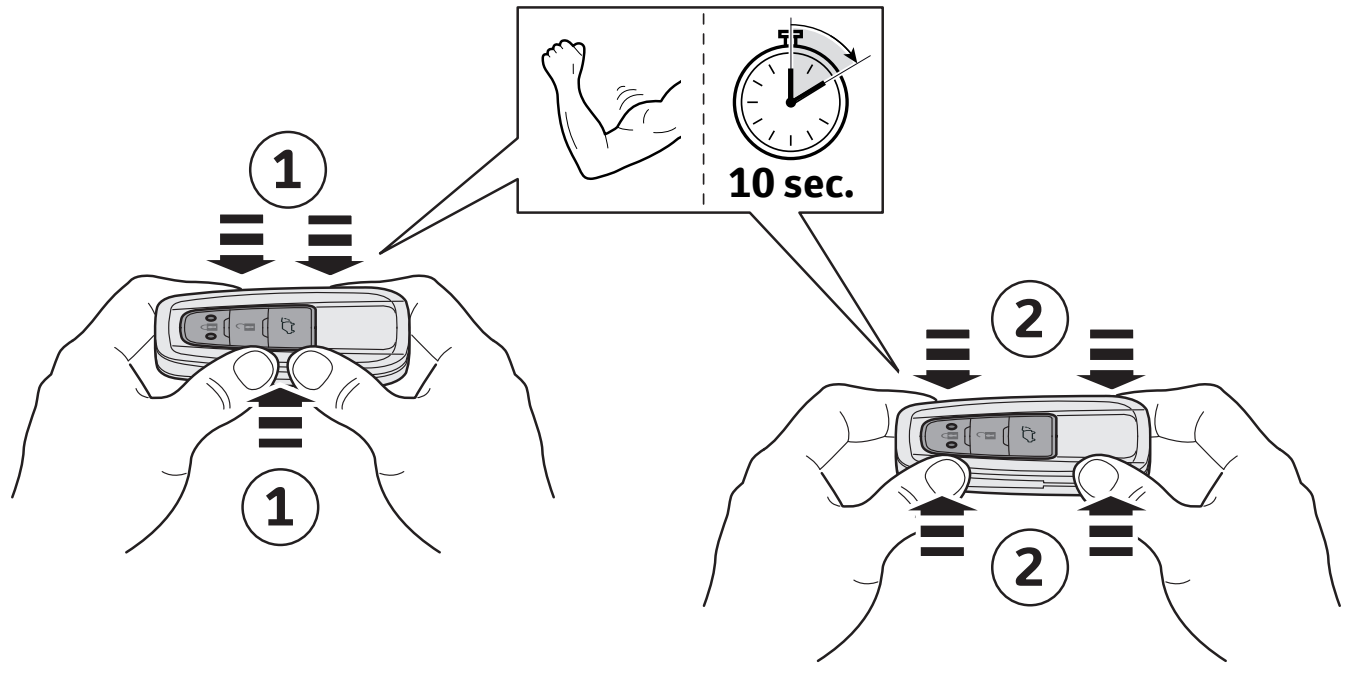
5



6



7



8



**TOYOTA**

ALWAYS A  
BETTER WAY

# CHECK SHEET

Page 1 of 1

Model/Year

Key Cover

- COROLLA HB & TS As from 2019/11**
- COROLLA HB & TS Hybrid As from 2019/01**
- COROLLA Sedan As from 2019/01**
- RAV4 Hybrid As from 2018/11**
- CAMRY As from 2021/02**
- CAMRY Hybrid As from 2019/02**
- Toyota C-HR Hybrid As from 2018/05**
- Prius Hybrid As from 2018/12**
- Prius Plug-in Hybrid As from 2019/05**

VIN n°

## DURING INSTALLATION

**1**

**P/N = OK**

## AFTER INSTALLATION

**1**

**A B**

**A B**

**5**

**2**

**Installation Date:**

... / ... / ...

**Technician Name & Signature:**

**Stamp:**



TOYOTA