



**TOYOTA**

ALWAYS A  
**BETTER WAY**

# All Models

## Long Life Body Protector

Installation Instructions

Part number: PZ41A-BP001-80

Manual reference number: AIM 002 616-8



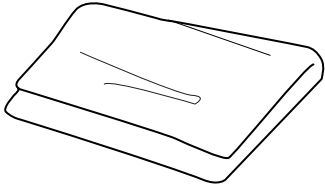
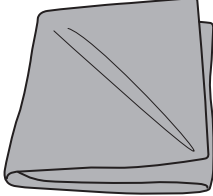
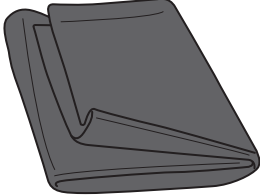
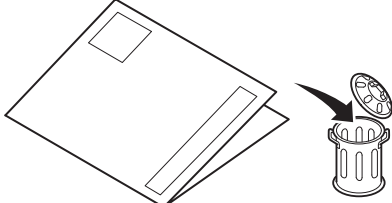

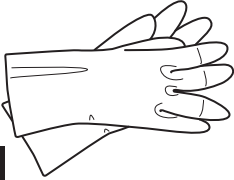
# Revision record

| Rev. No. | Date       | Page  | Step  | Remarks                                 |
|----------|------------|-------|-------|---|
| 5        | 26-08-2019 | 7     | 11    | Sticker update                          |
| 6        | 10-09-2021 | 1-9   |       | Kit & Tools updated, sequence specified |
| 6        | 10-09-2021 | 10-11 |       | CS updated                              |
| 7        | 17-11-2021 | 7     | 5     | Sticker position 4/5 door updated       |
| 8        | 16-12-2021 | 8, 11 | 6, CS | Sticker position AYGO 5 door added      |
|          |            |       |       |   |

## KIT CONTENT

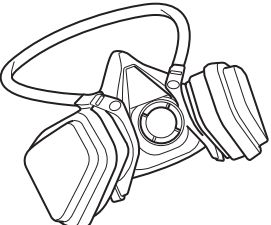
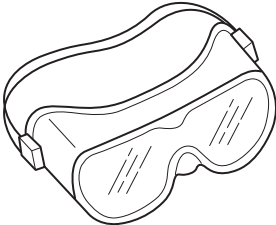
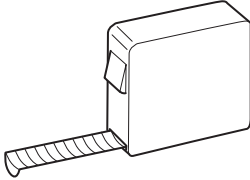
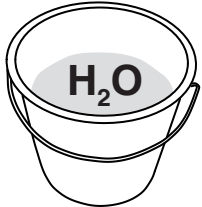

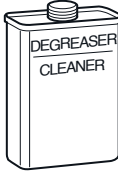
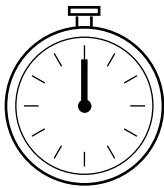
PZ41A-BP001-80

6

|  |   |   |
|--|---|---|
| <p><b>A</b></p>  <p>1x</p>        | <p><b>B</b></p>  <p>1x</p>       |   |
| <p><b>C</b></p>  <p>White 1x</p> | <p><b>D</b></p>  <p>Yellow 1x</p> | <p><b>E</b></p>  <p>Grey 1x</p> |
| <p><b>F</b></p>  <p>1x</p>      | <p><b>G</b></p>  <p>1x</p>      | <p><b>H</b></p>  <p>1x</p>     |

6

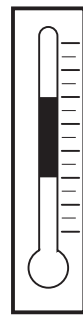
## PPE / CONSUMABLES / TOOLS

|  |  |   |   |
|--|--|---|---|
|                         |   |   |  |
|  <p>(3x) Microfiber</p> |   <p>AIM 003 516-*</p> |  |   |

# INFORMATION

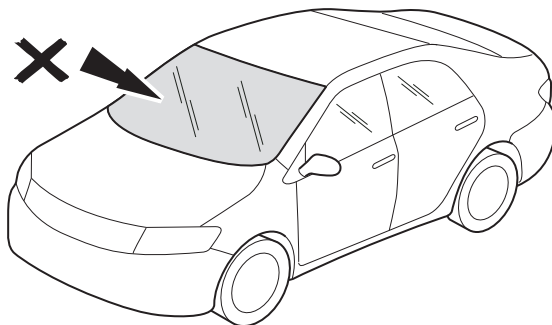
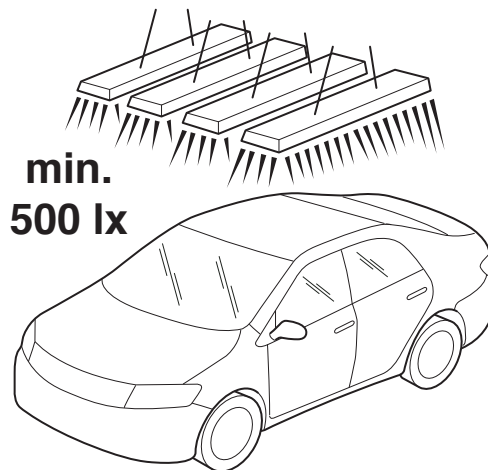


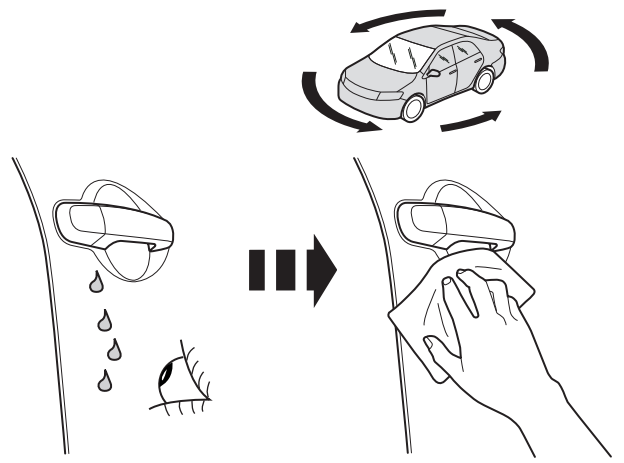
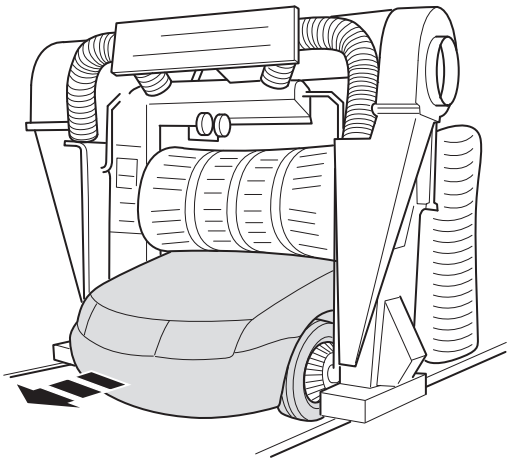
<http://your.msds.be>  
login: **TMME**  
password: **MSDS**



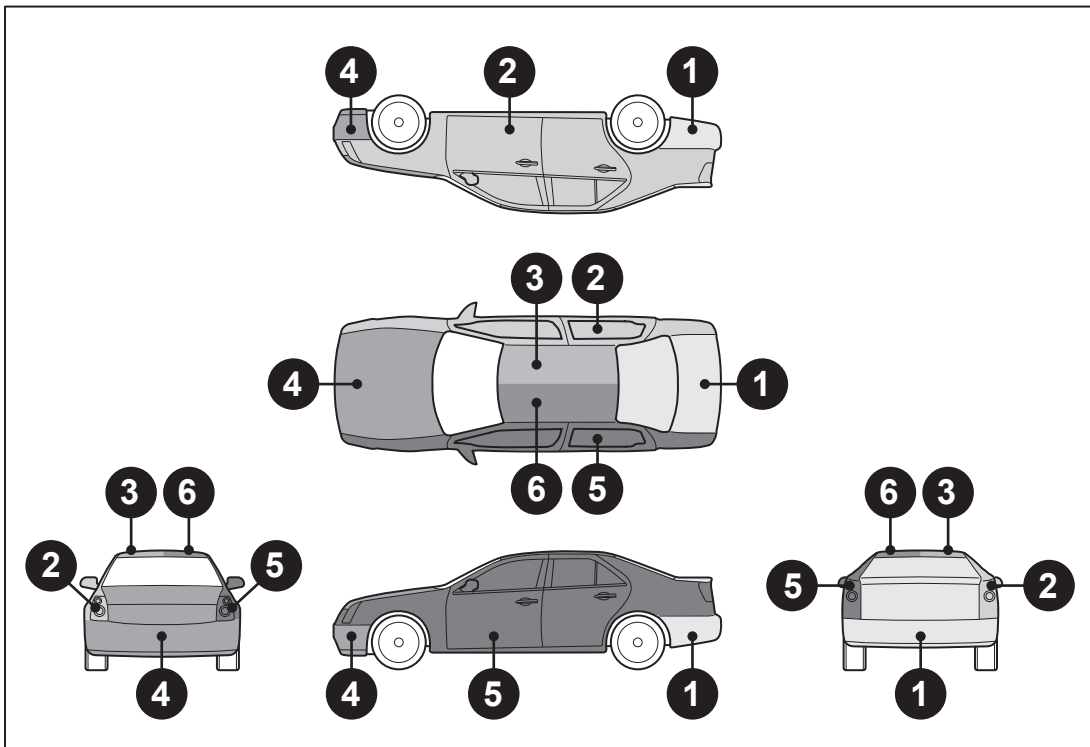
+35°C

+4°C

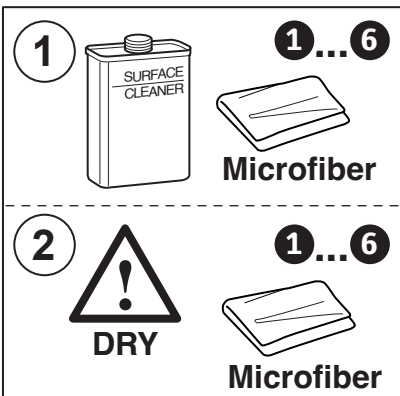
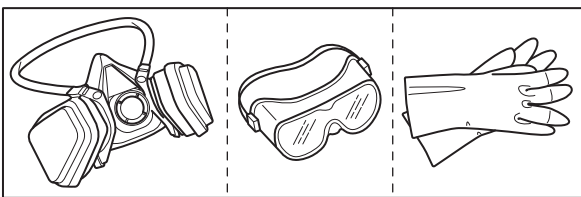




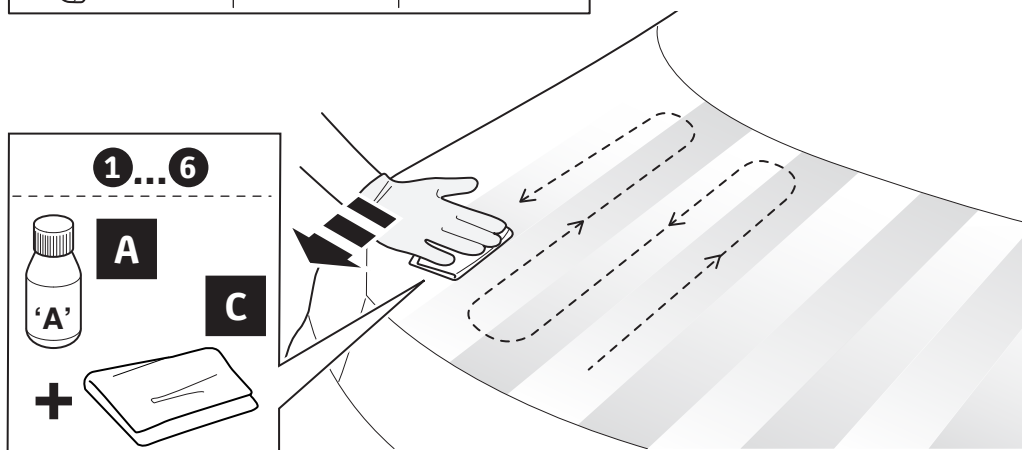
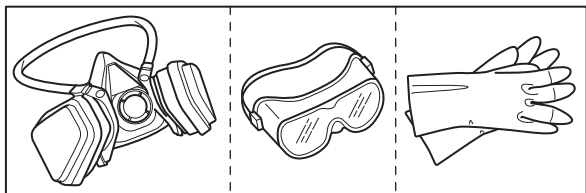
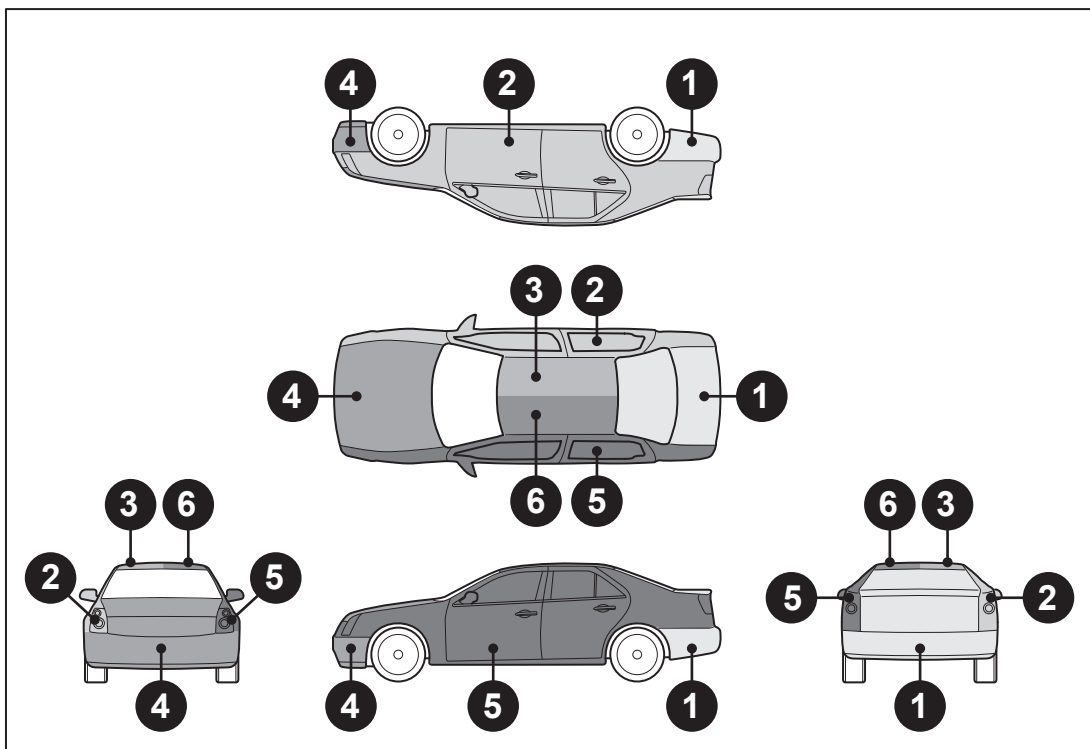
1

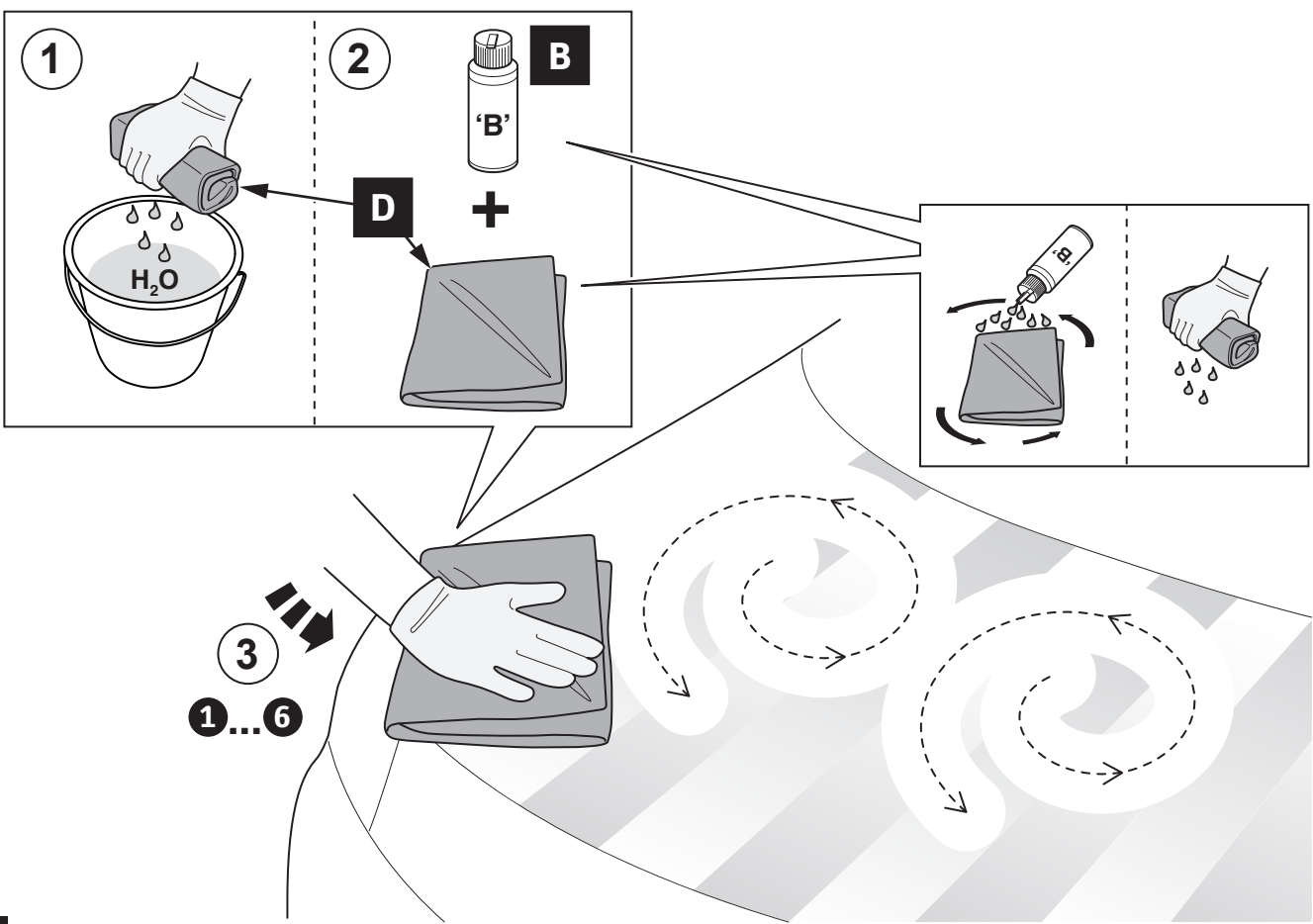
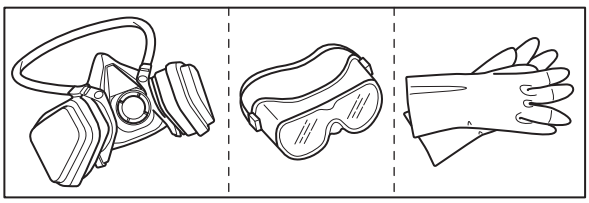
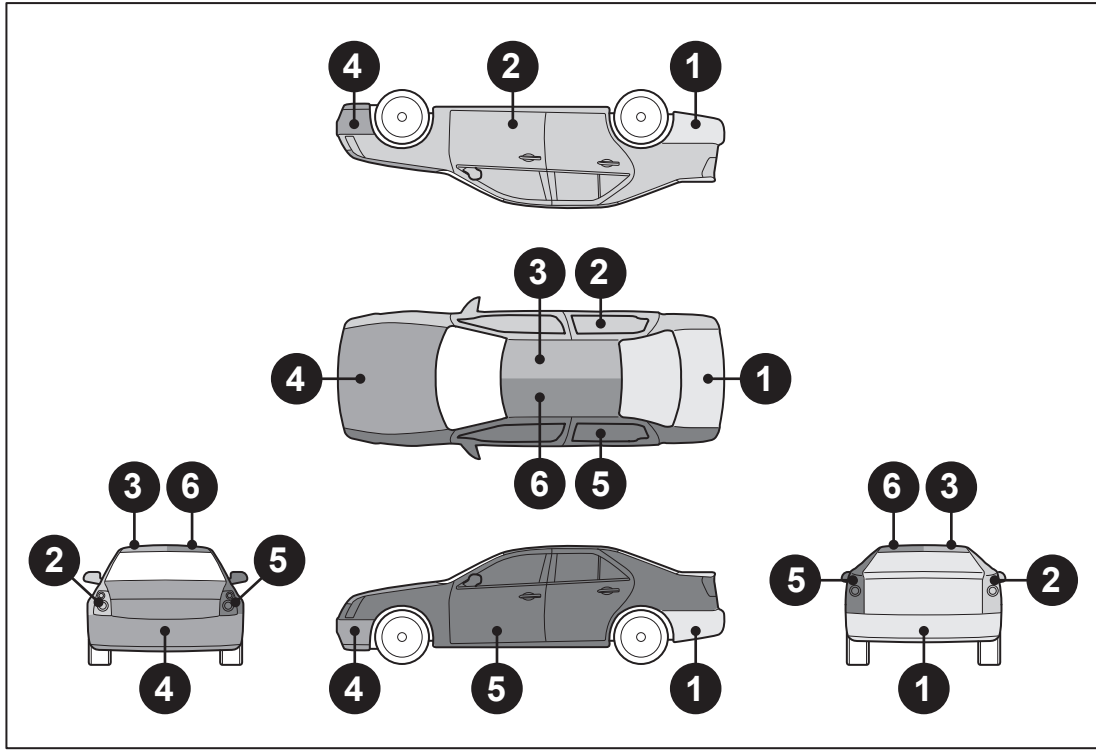


6



2

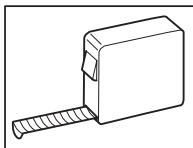
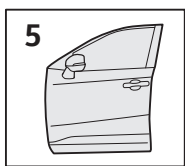




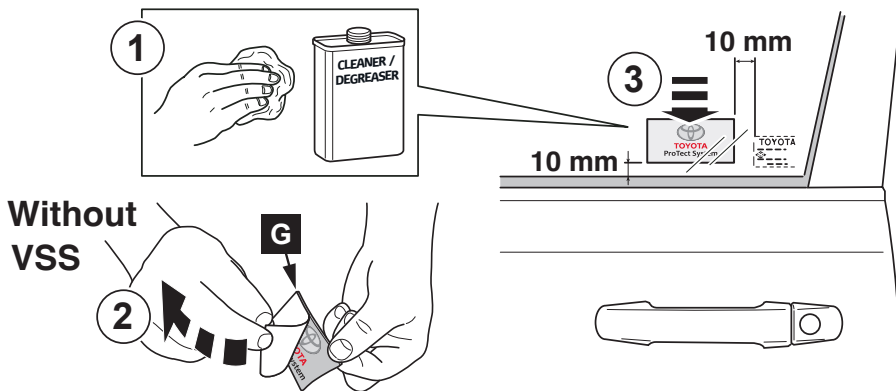
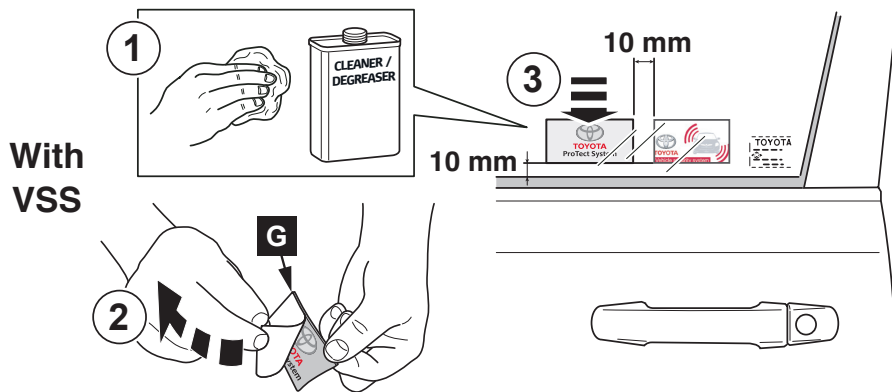
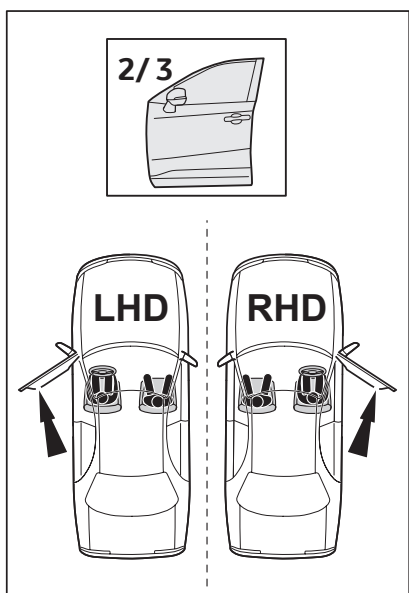
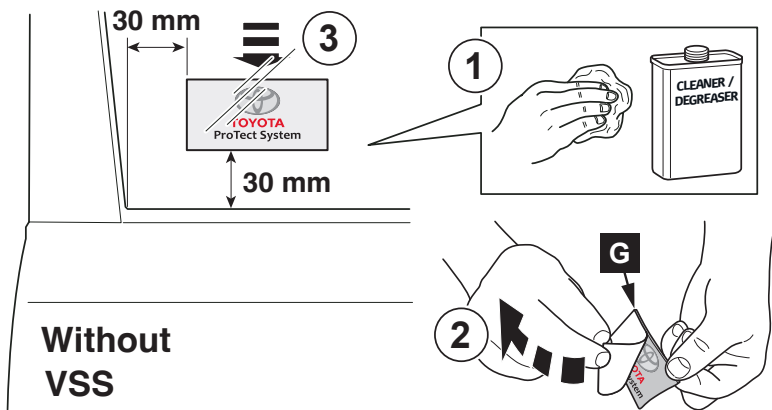
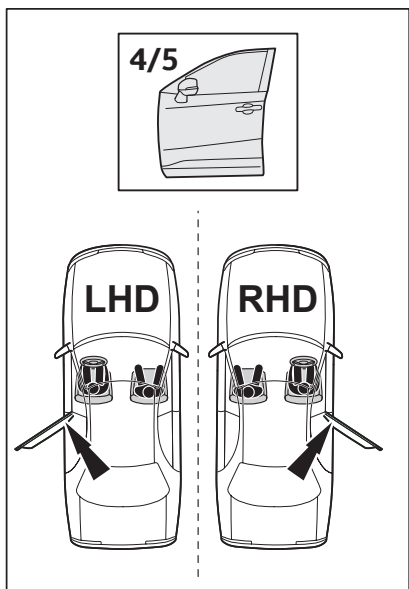
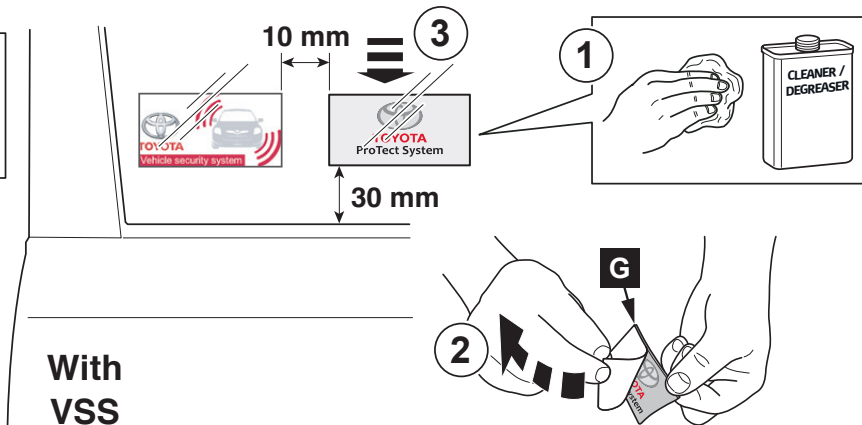


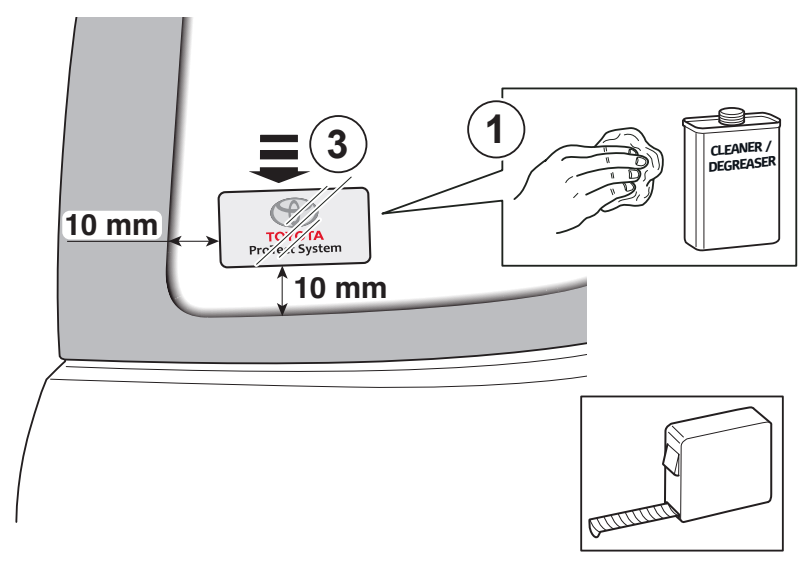
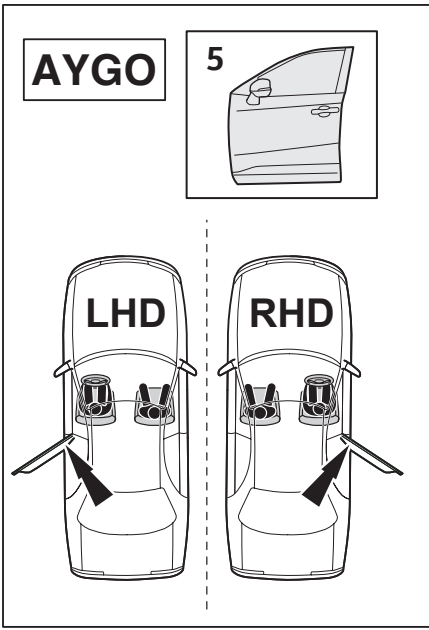
# AYGO

5

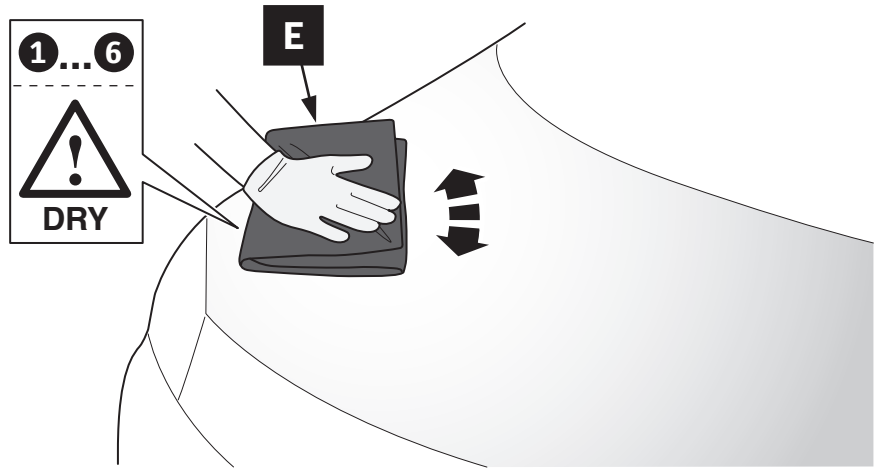
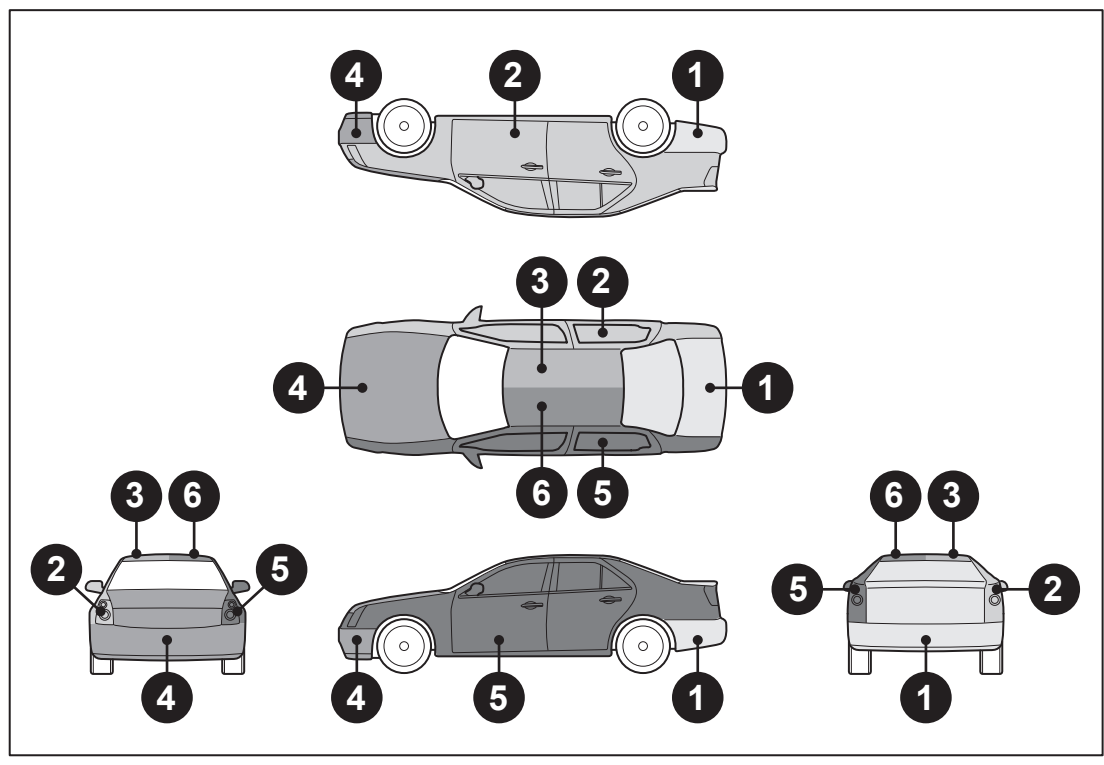


6





6

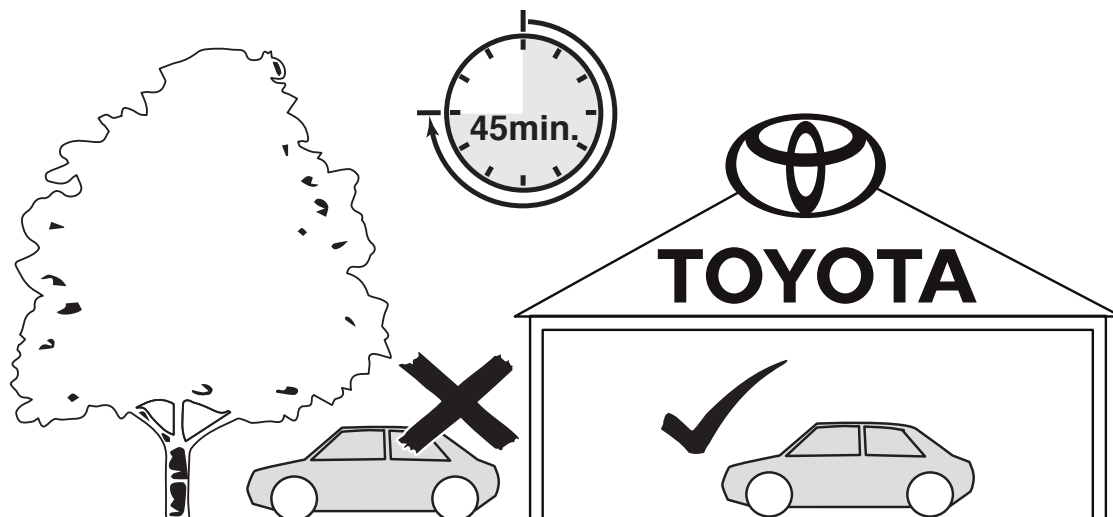


7





6

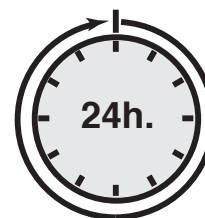
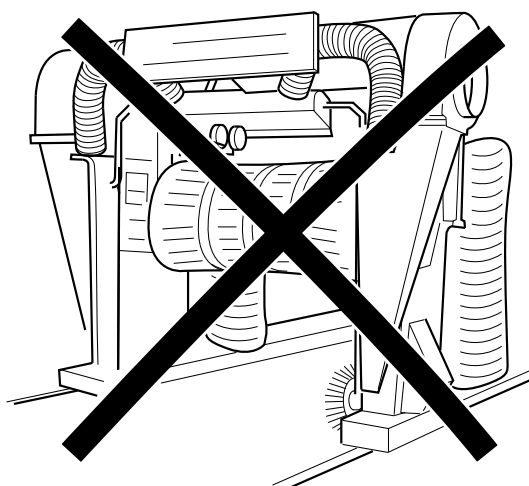


8

## INFORMATION



6



# CHECK SHEET

Page 1 of 2

Model/Year

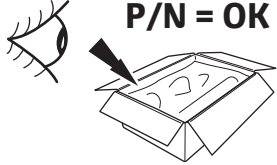
All Models

Long Life Body Protector

VINn°

## DURING INSTALLATION

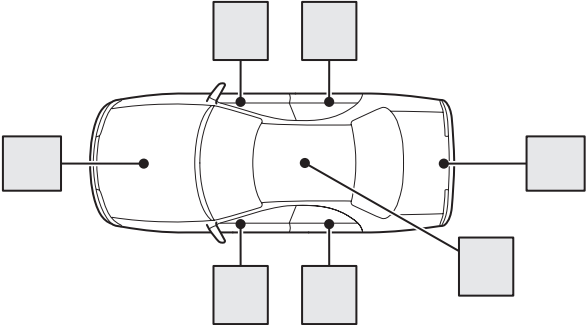

**1**



P/N = OK

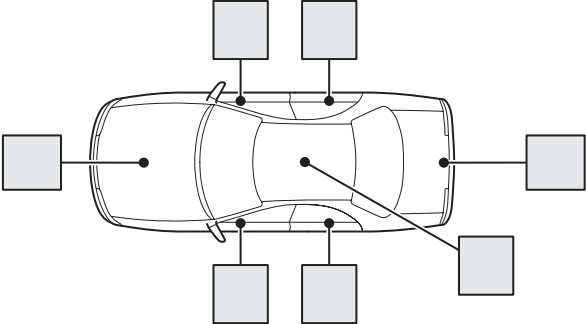
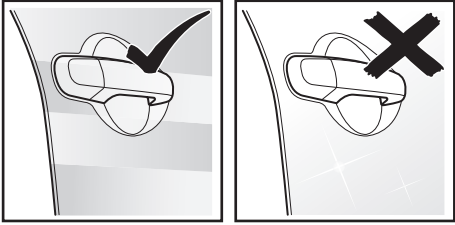
**2**

After degrease  
dry, no damage and clean



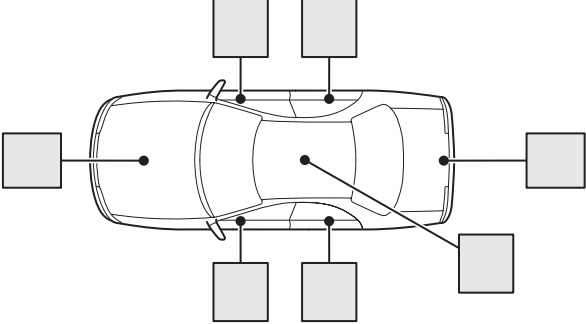
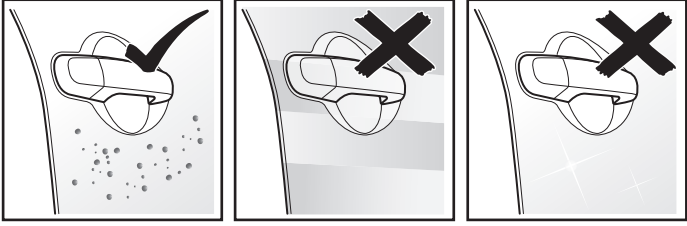
**3**

After product 'A'  
wipe traces on all areas



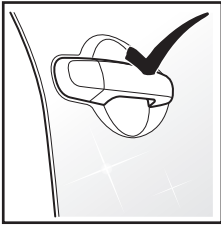
**4**

After product 'B'  
small drops on all areas

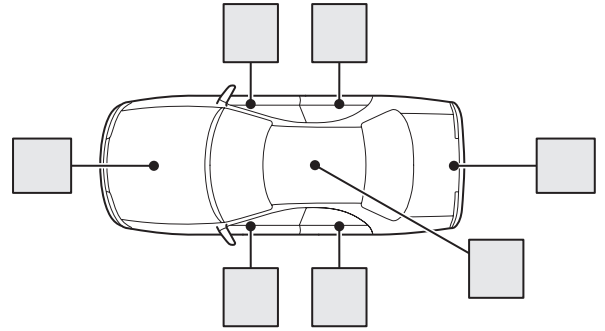


**After wipe**

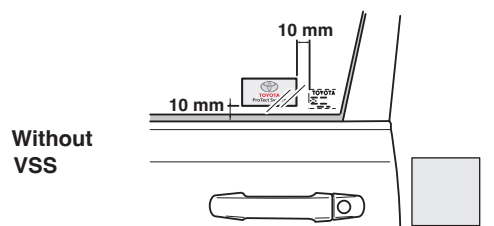
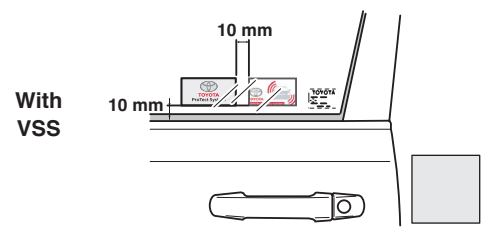
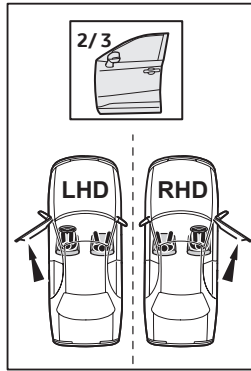
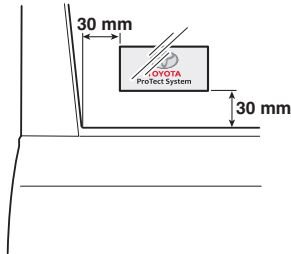
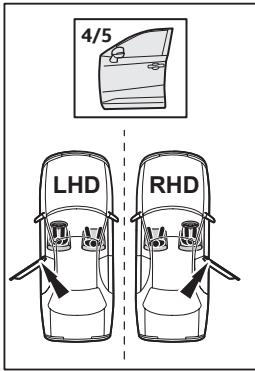
smooth on all areas



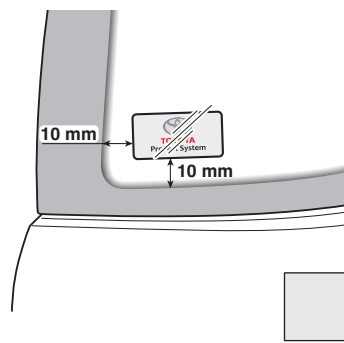
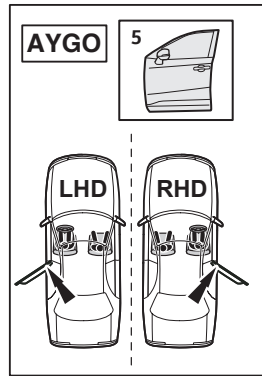
5



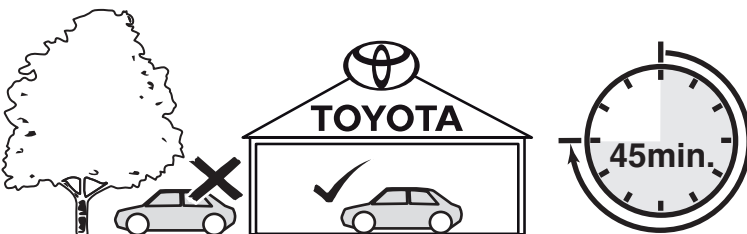
**AFTER INSTALLATION**



1



2



Start Time: .. : ..

End Time: .. : ..

Installation Date:

.. / .. / ..

Technician Name & Signature:

Stamp: