



TOYOTA

ALWAYS A
BETTER WAY

Yaris - Hybrid

Scuff Plates - Front Set - 5 door

Installation Instructions

Model year: 2011/07, 2014/07, 2017/03

Vehicle code: NHP130*-CHX*BW

Part number: PW382-0D000

Manual reference number: AIM 004 072-1


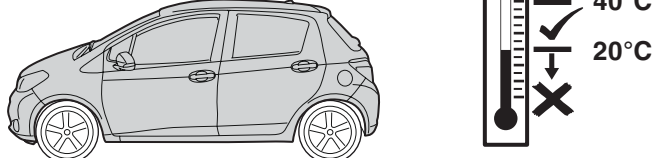
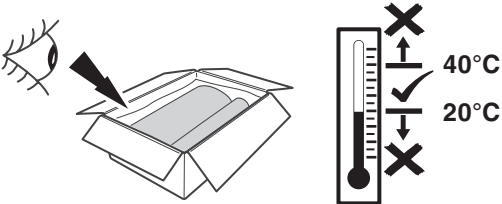
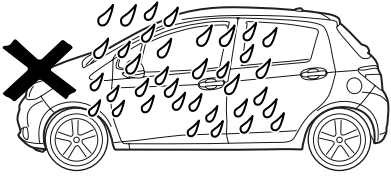
Revision record


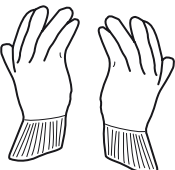


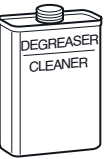
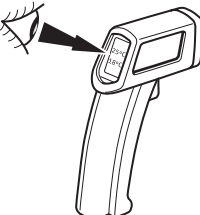

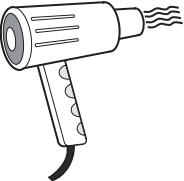
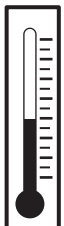
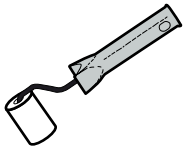
Rev. No.	Date	Page	Picture	Update	New	Deleted steps
1	10.10.2018	2, 5	Tools, 7			Adhesion Promoter

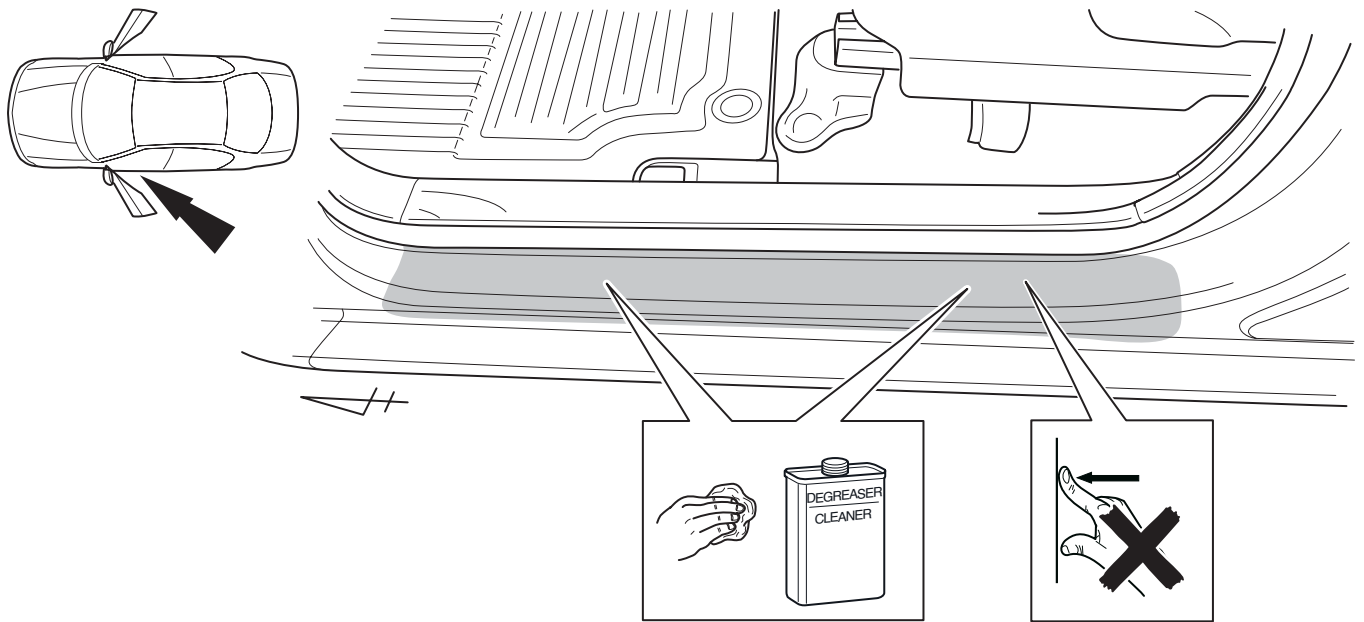
PW-382-0D000



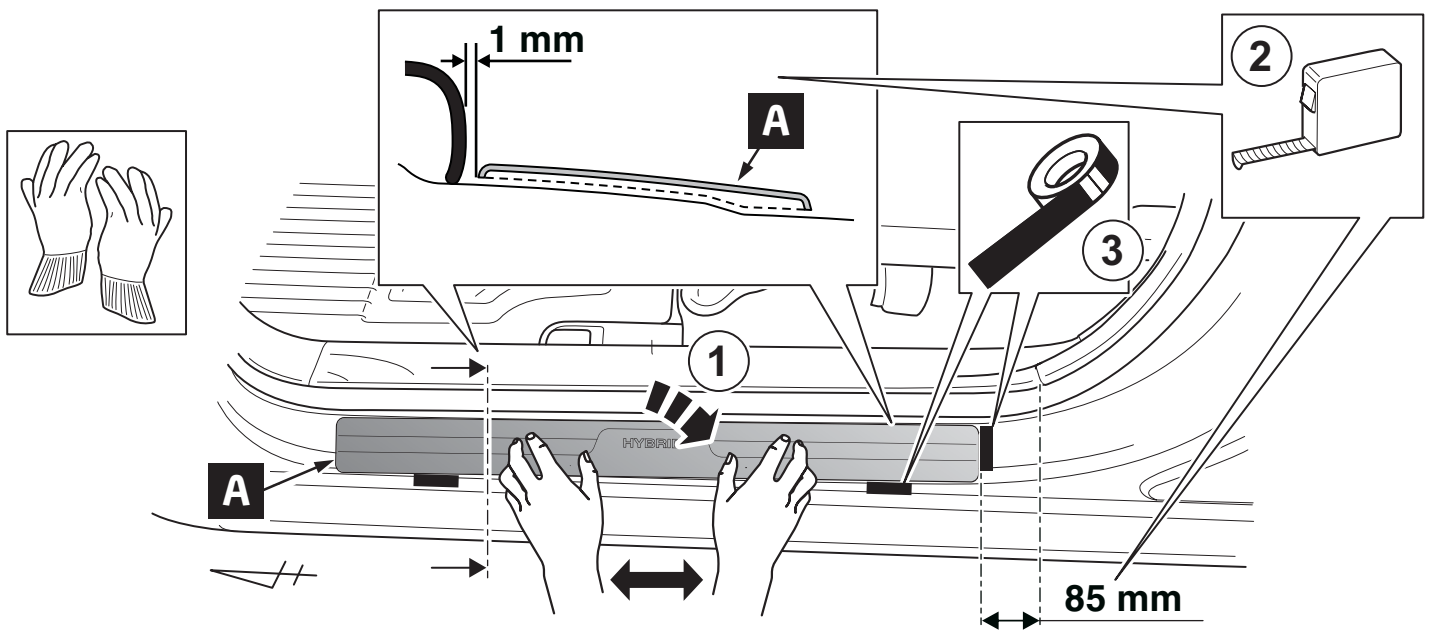
2x

<p>INFO</p> <p>Material Safety Data Sheet</p>  <p>Technical Data Sheet</p>	 <hr/>  
--	---

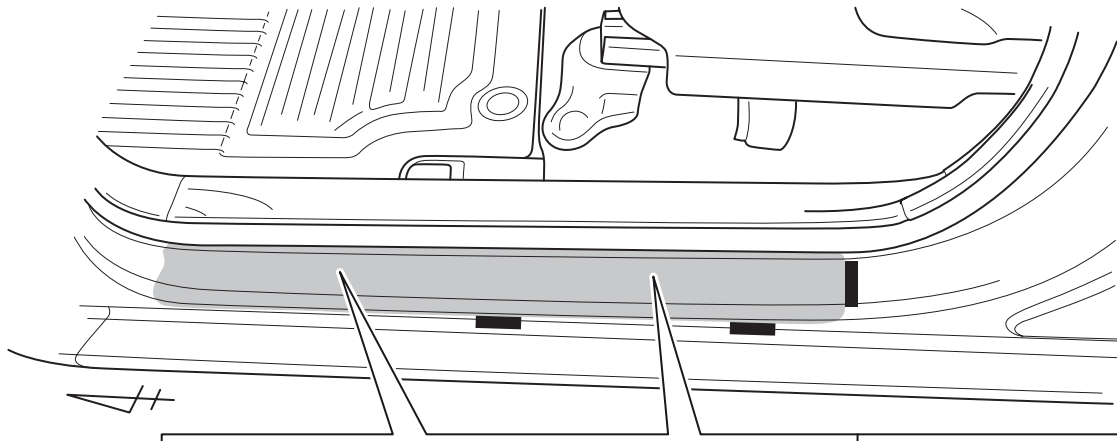
			 	 <p>? °C</p> 	 <p>+ °C</p> 
			<p>AIM 003-516-*</p>		



1

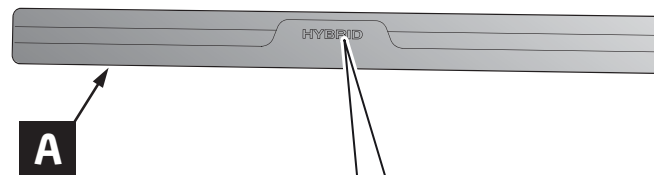


2



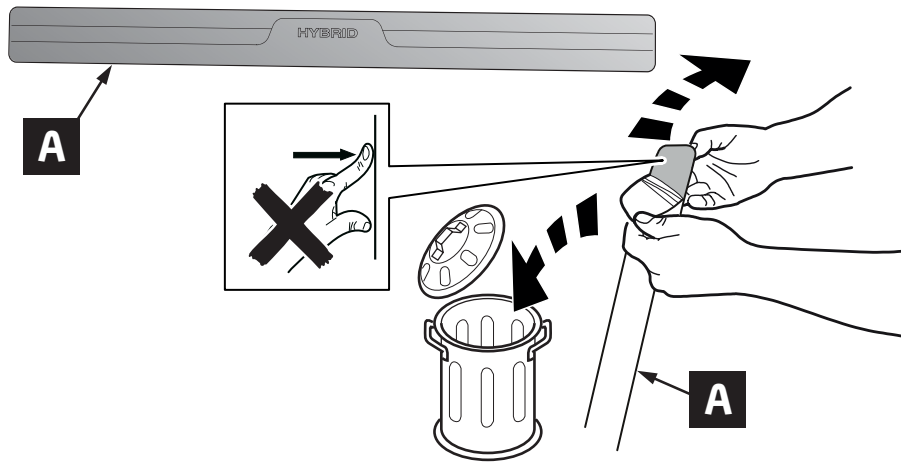
<p>1</p>	<p>? °C</p> <p>< 20°C → 2</p> <p>20°C < 40°C → 4</p>	<p>+ °C</p> <p>2</p>
<p>3</p>	<p>? °C</p> <p>20°C < 40°C → 4</p>	<p>INFO</p> <p> 3 → 6</p> <p> ✓</p> <p> ✗</p>

3

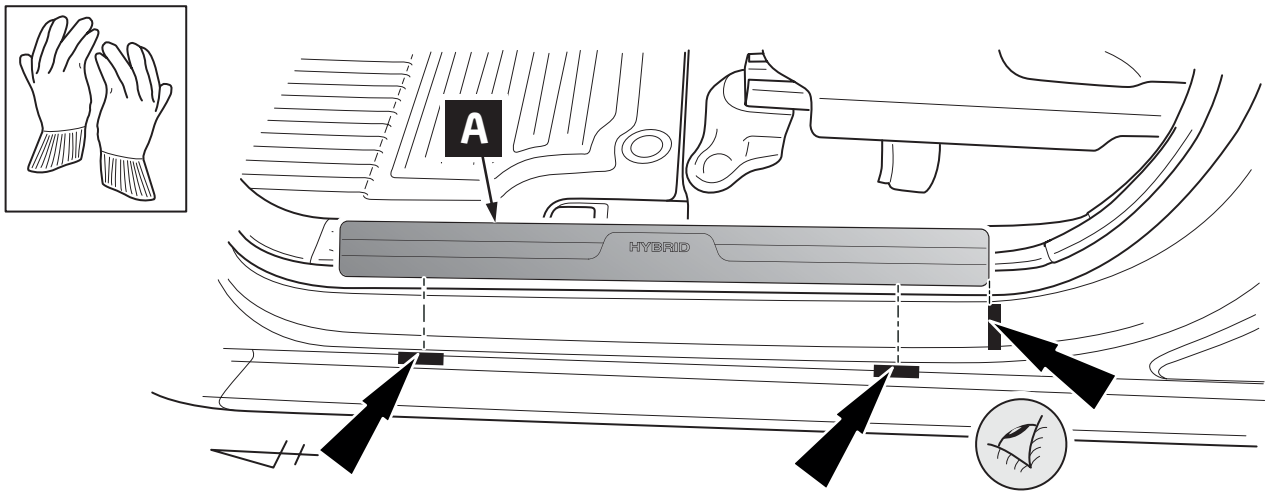


<p>1</p>	<p>? °C</p> <p>< 20°C → 2</p> <p>20°C < 40°C → 5</p>	<p>+ °C</p> <p>2</p>
<p>3</p>	<p>? °C</p> <p>20°C < 40°C → 5</p>	<p>INFO</p> <p> 4 → 6</p> <p> ✓</p> <p> ✗</p>

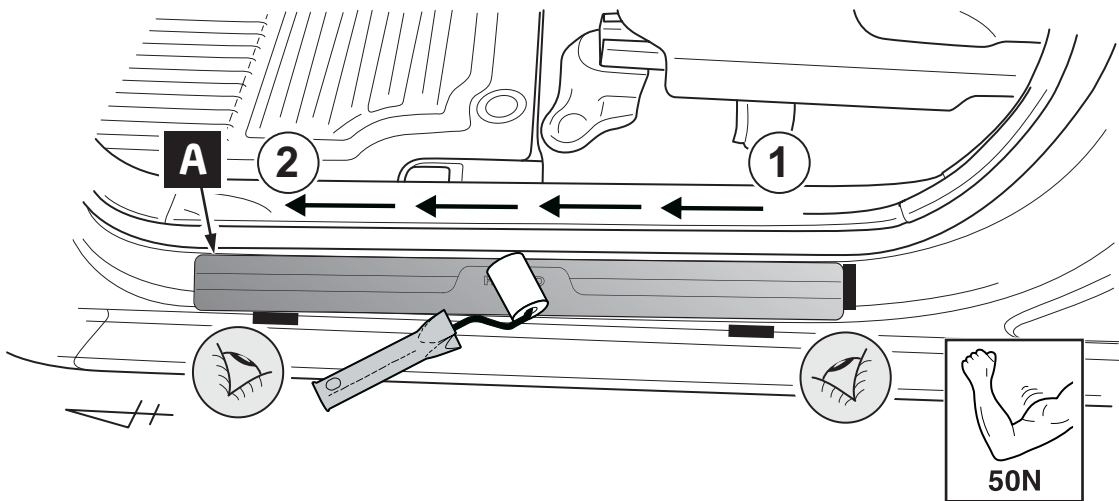
4



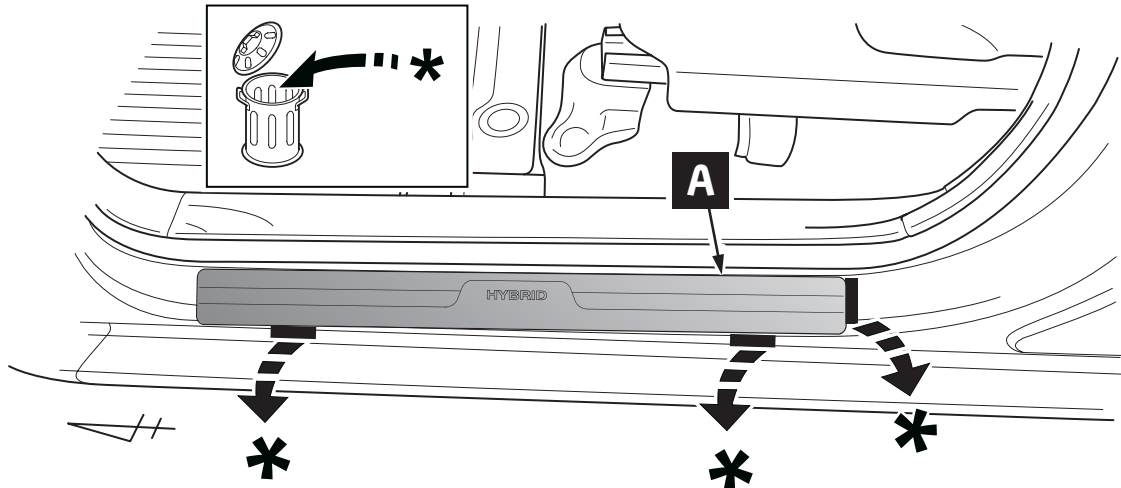
5



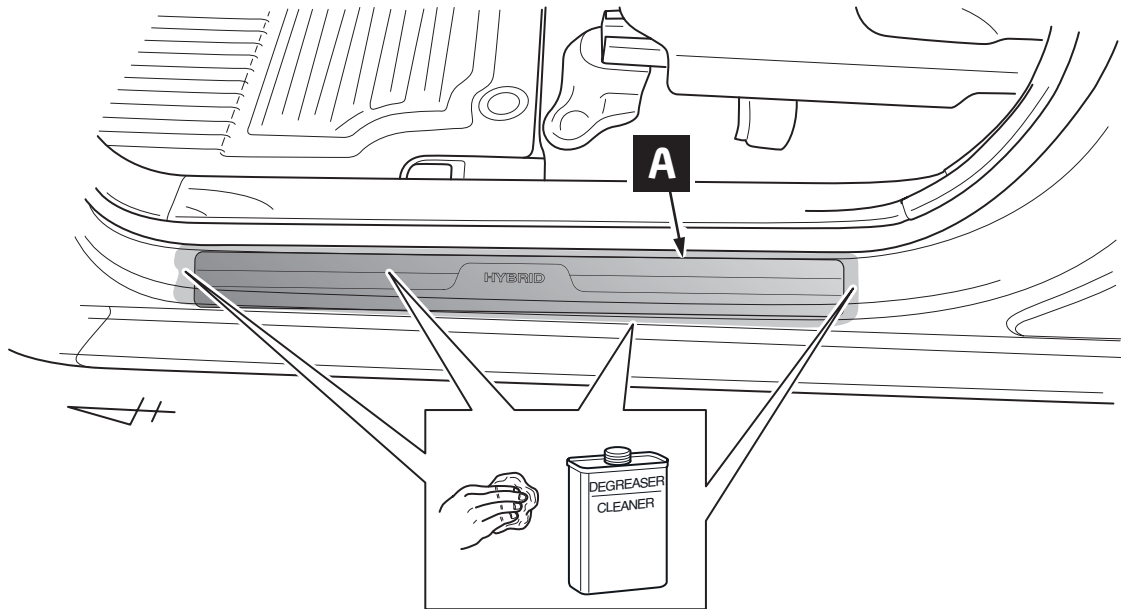
6



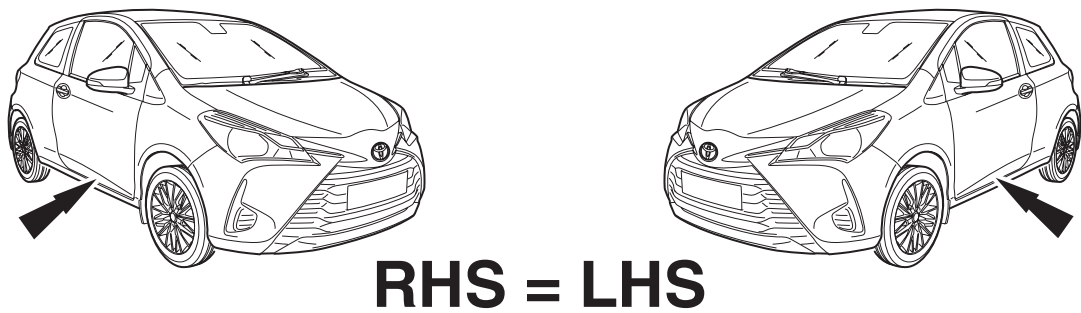
7



8



9



10

CHECK SHEET



TOYOTA

ALWAYS A BETTER WAY

Model / Year **Yaris - Hybrid** 2011/07, 2014/07, 2017/03 **Scuff Plates**

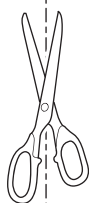
VIN n°

P/N = OK

RHS **LHS**

RHS **LHS**

= OK



Installation Date:

. . . / . . . /

Technician Name & Signature:

Stamp: