



TOYOTA

ALWAYS A
BETTER WAY

Yaris - 5 door

Side garnish (Carbon look)

Installation Instruction

Model year: 2014/07, 2017/03

Vehicle code: **P130*-C****W

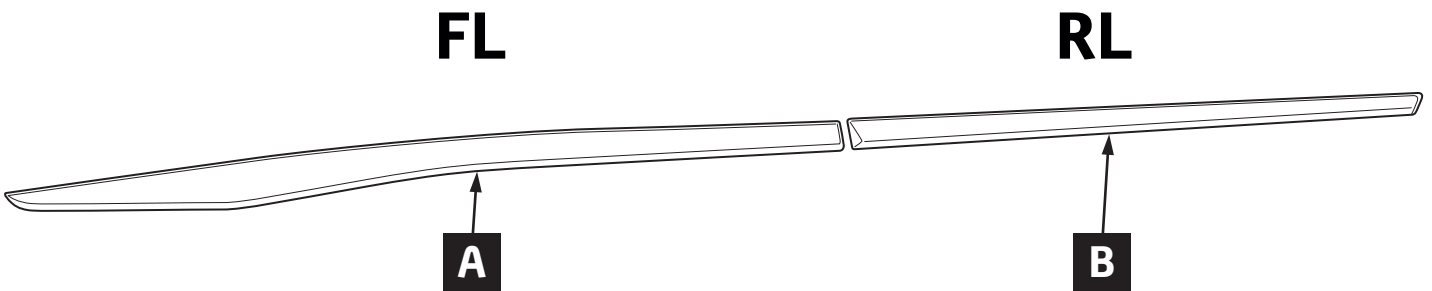
Part number: PW156-0D000

Manual reference number: AIM 004 018 - 0

Revision Record

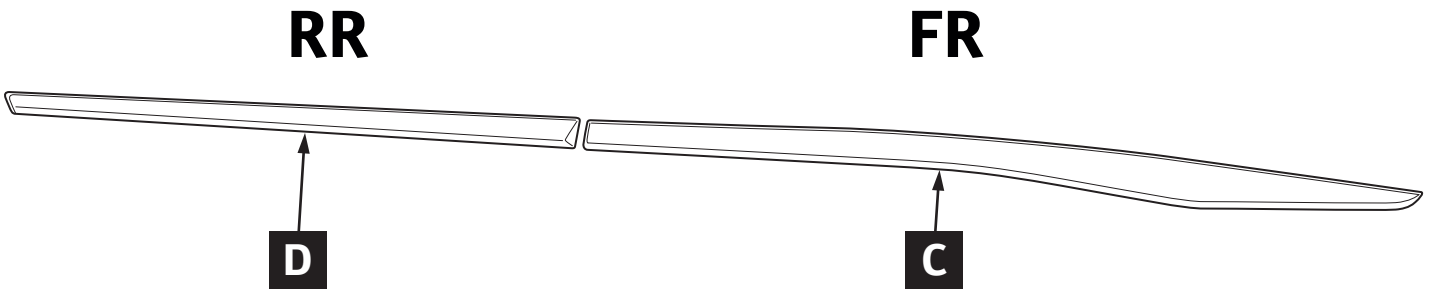
Rev. No.	Date	Page	Picture	Update	New	Deleted steps

PW156-0D000



A **B**

PW156-0D002

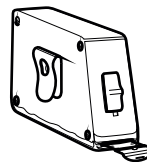
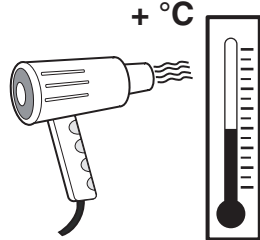
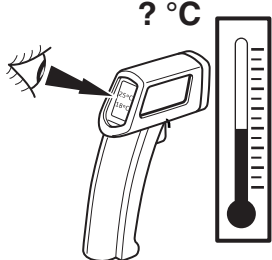
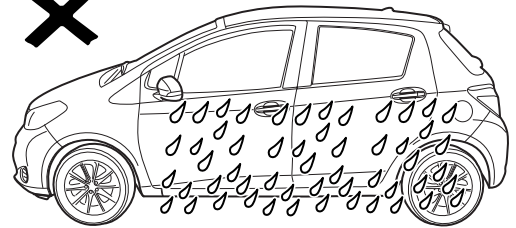
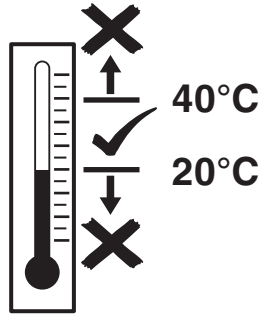
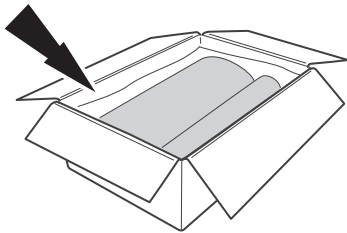
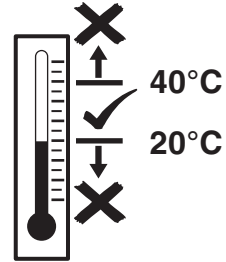
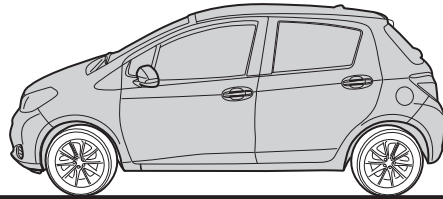


C **D**

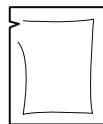
PW156-0D001



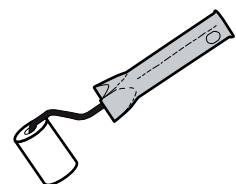
INFO

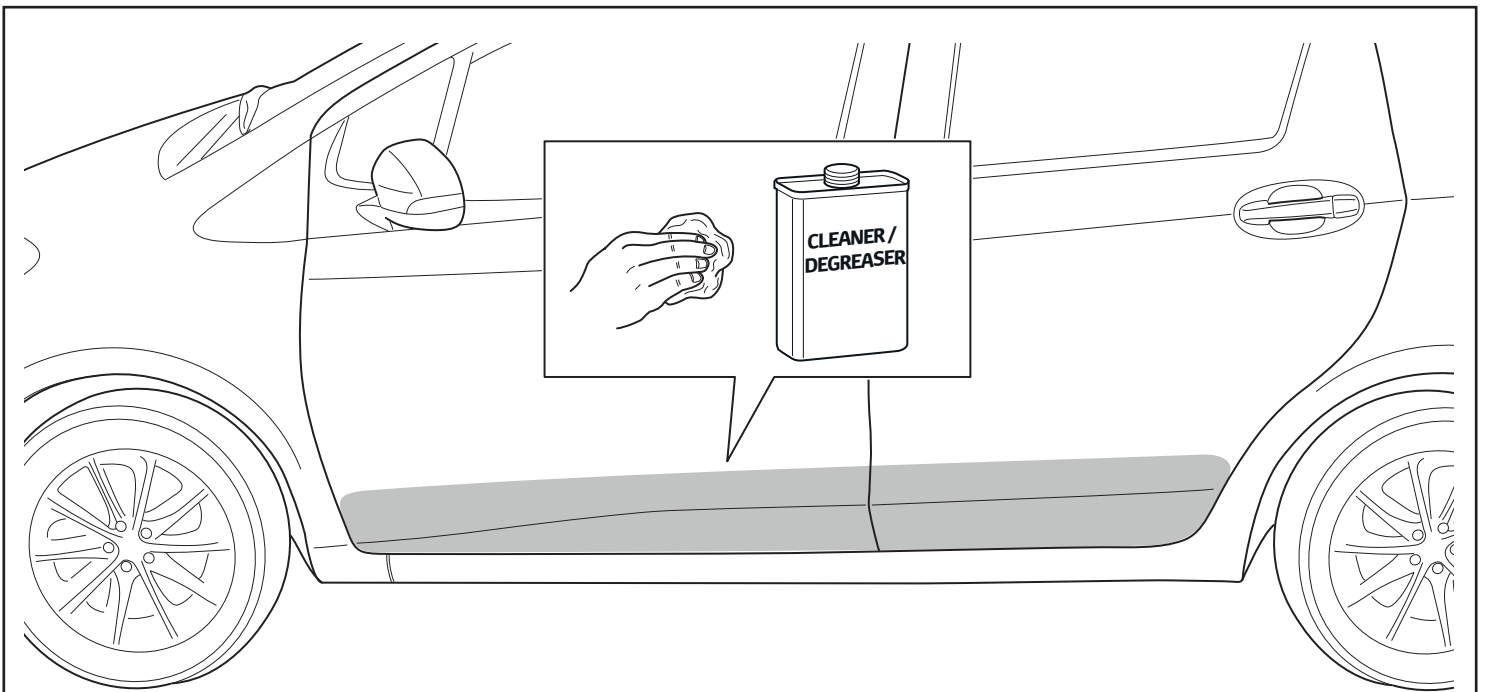


PZ415-00000-00

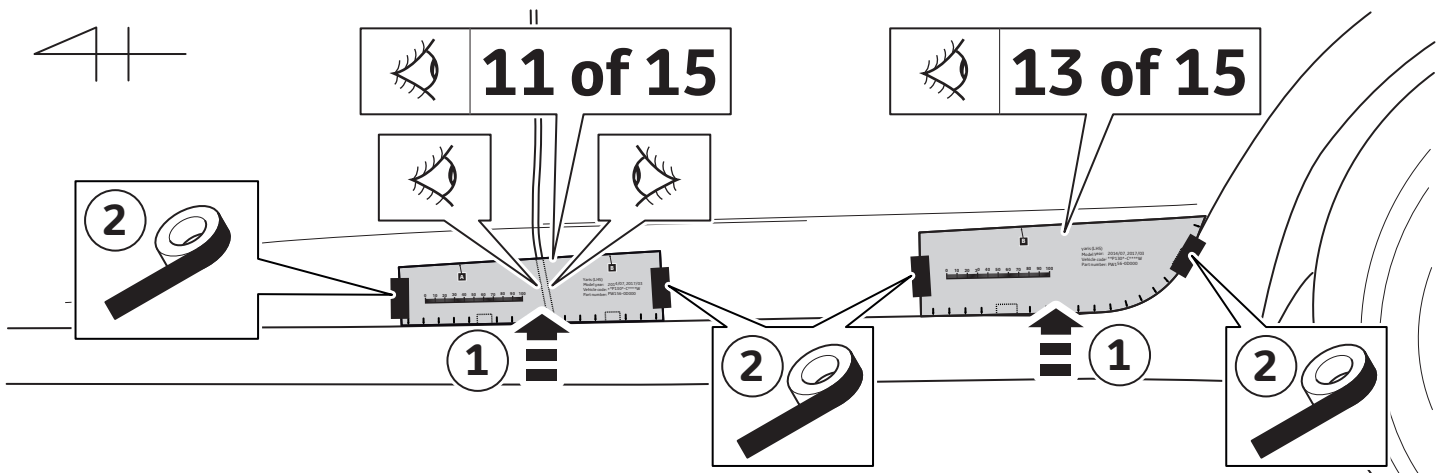


**3M adhesion promoter
4298 UV**

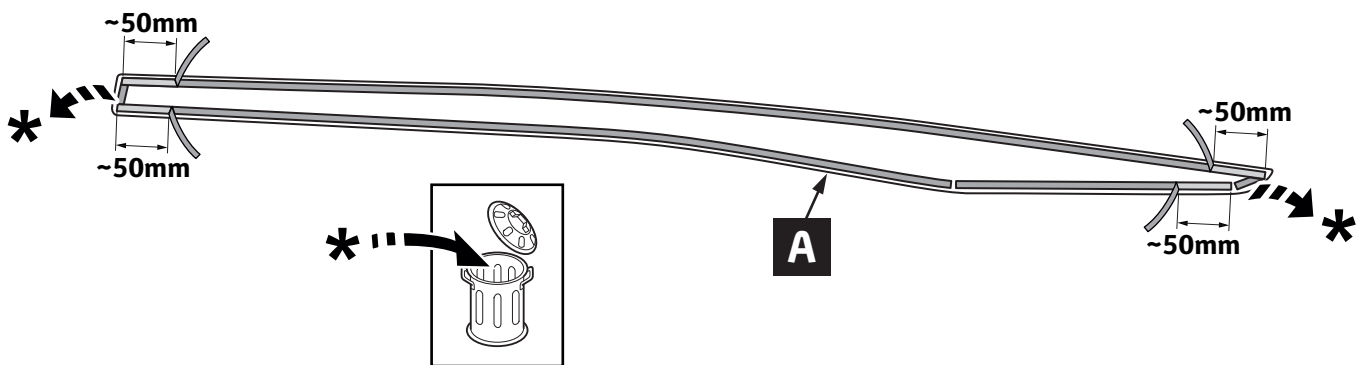




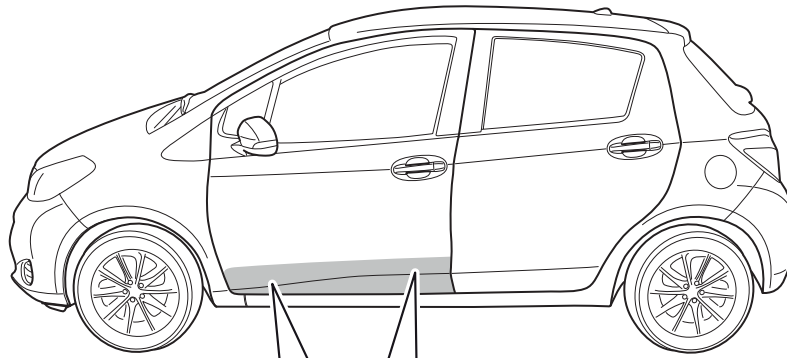
1



2

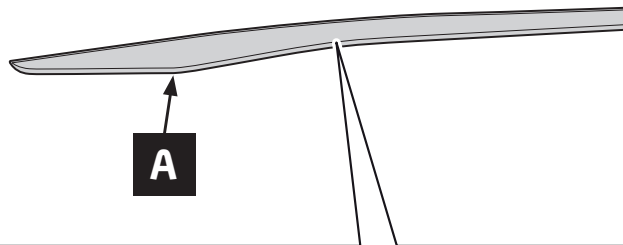


3



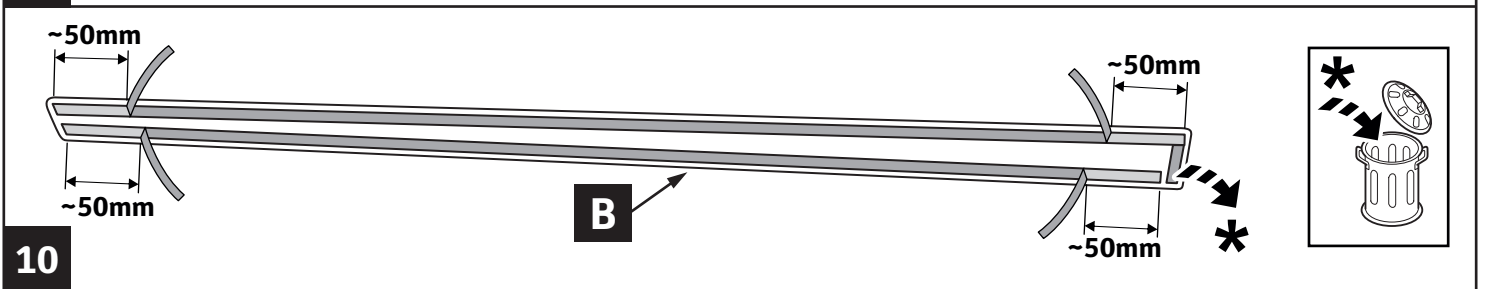
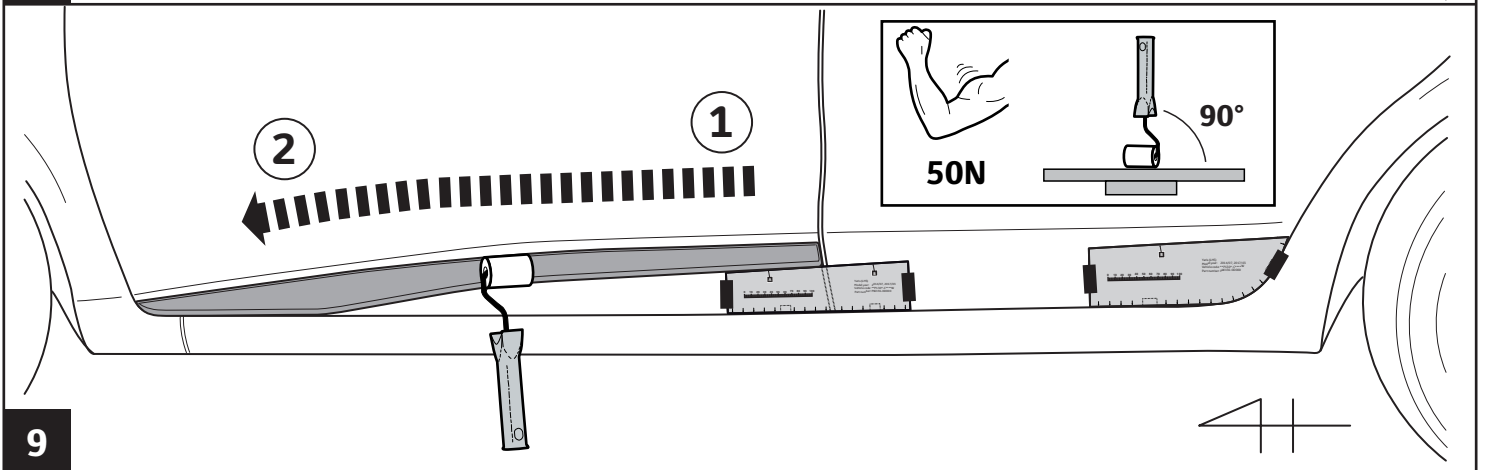
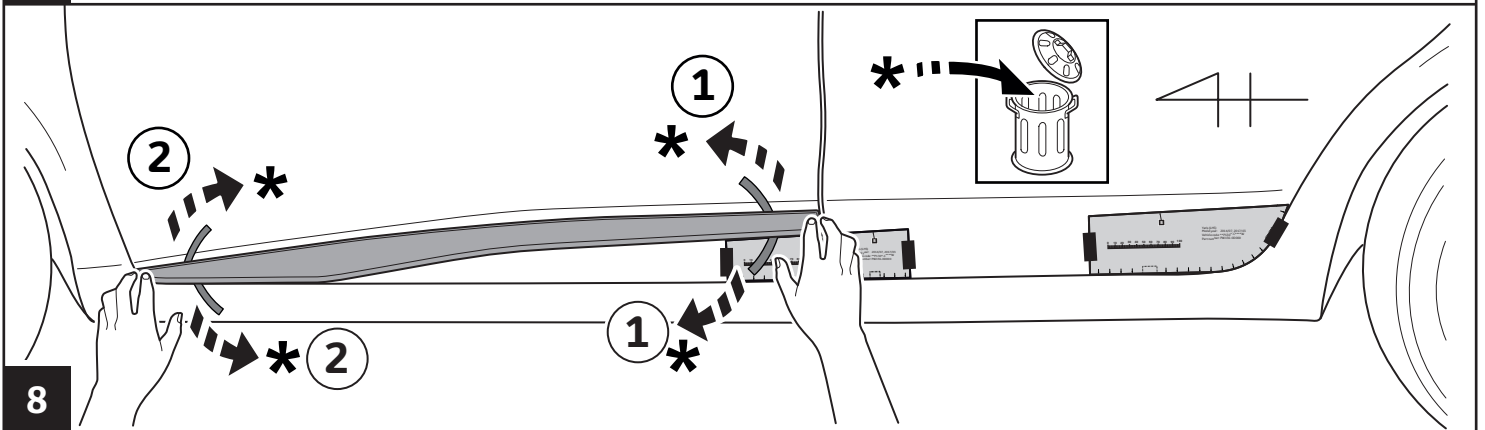
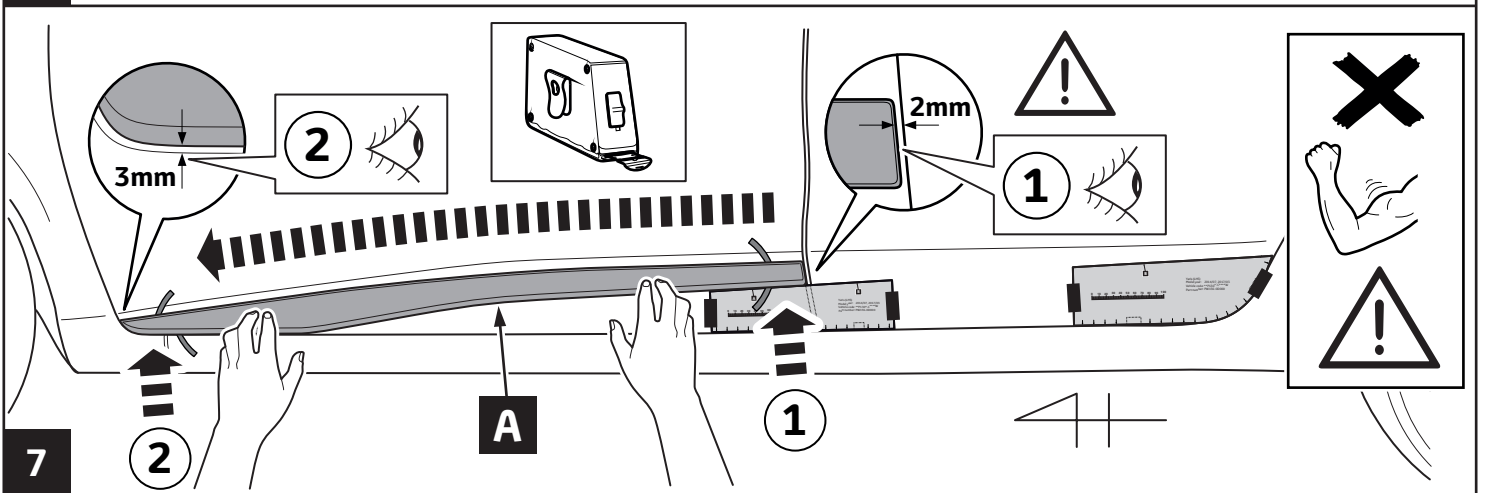
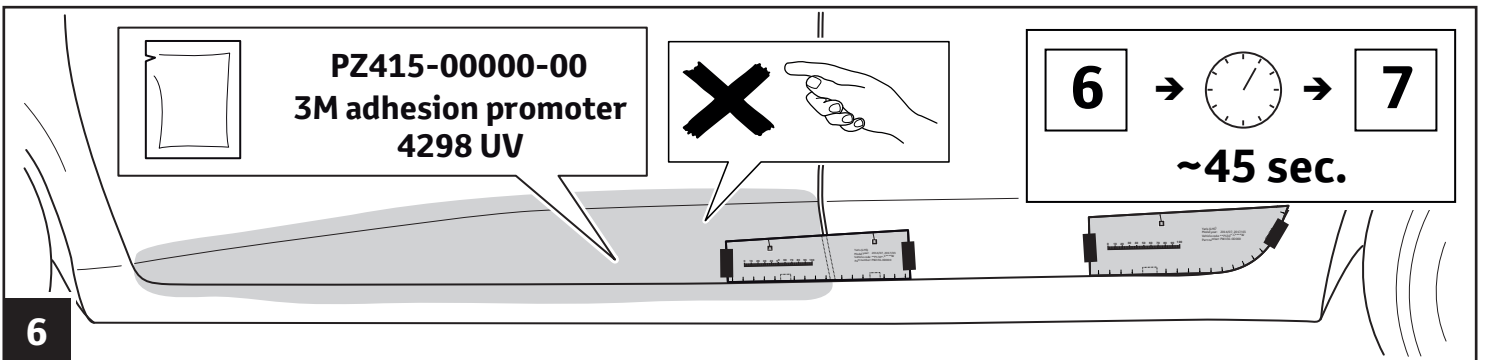
<p>1</p>	<p>< 20°C → 2</p> <p>> 20°C - 40°C → 5</p>	<p>2</p>
<p>3</p>	<p>> 20°C - 40°C → 5</p>	<p>INFO</p>

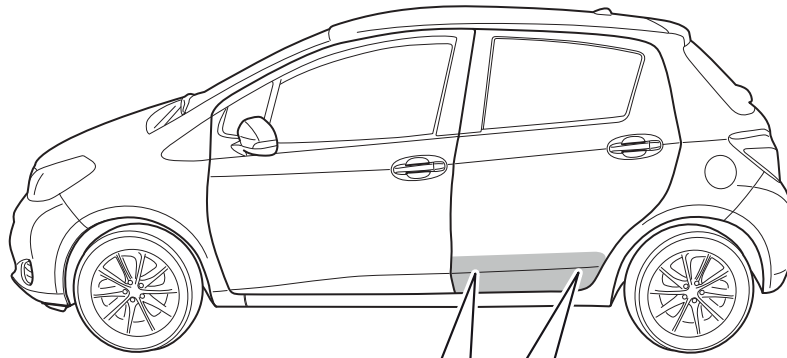
4



<p>1</p>	<p>< 20°C → 2</p> <p>> 20°C - 40°C → 6</p>	<p>2</p>
<p>3</p>	<p>> 20°C - 40°C → 6</p>	<p>INFO</p>

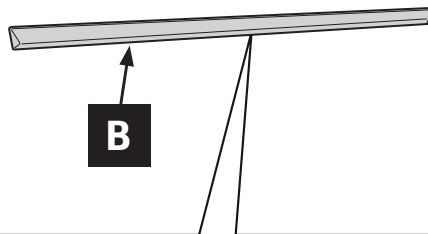
5





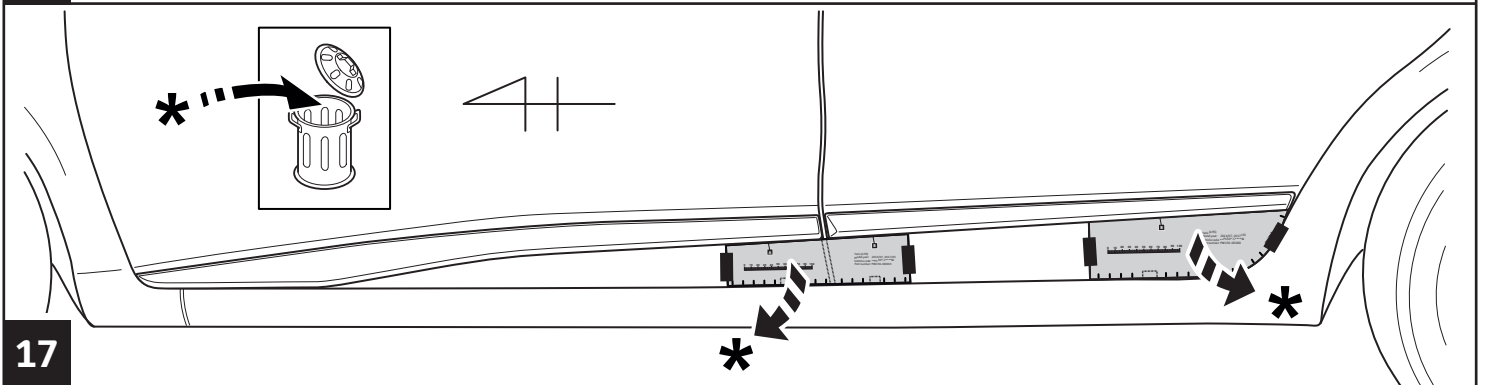
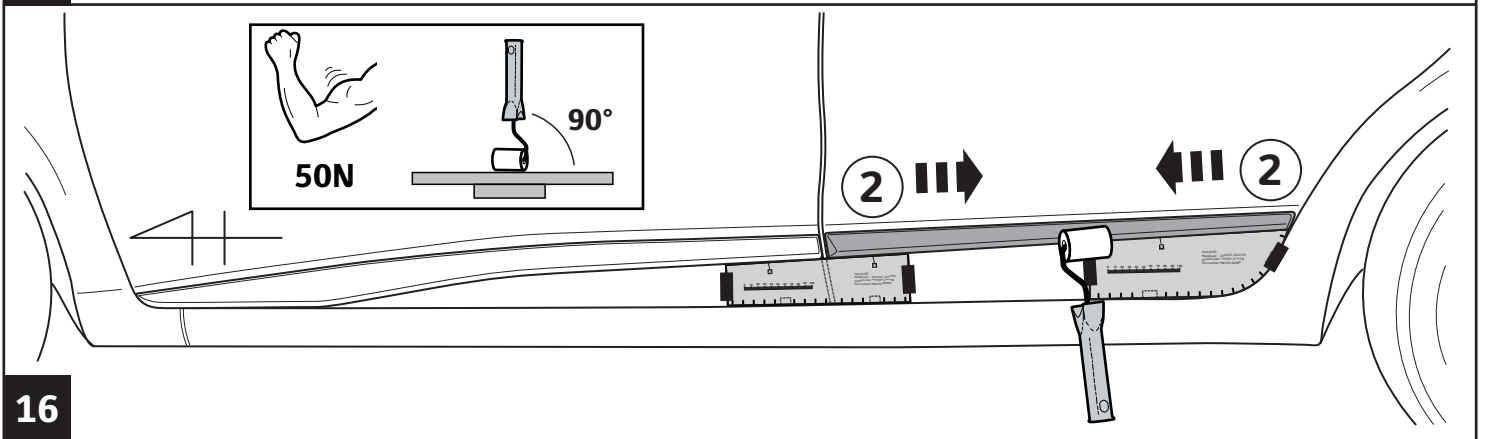
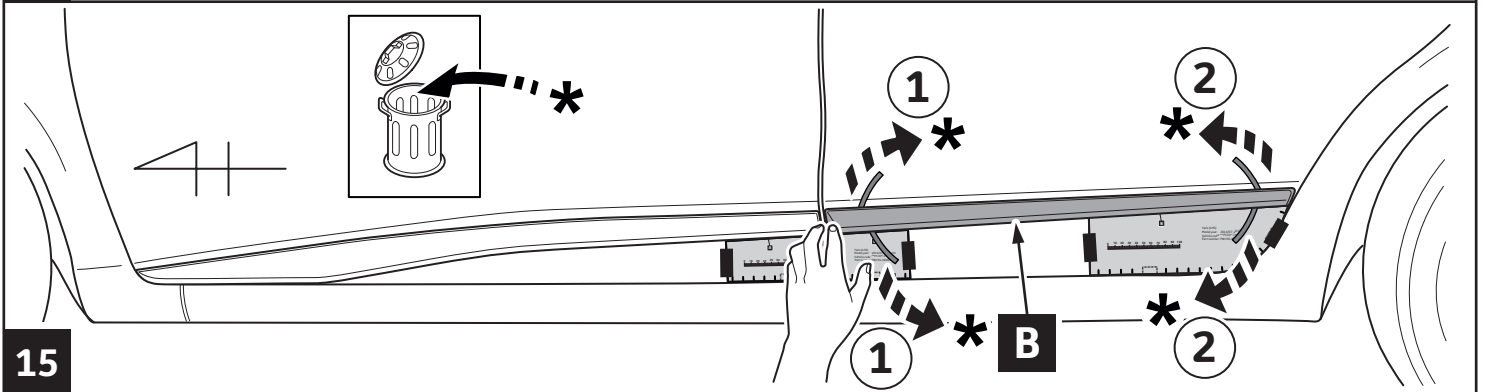
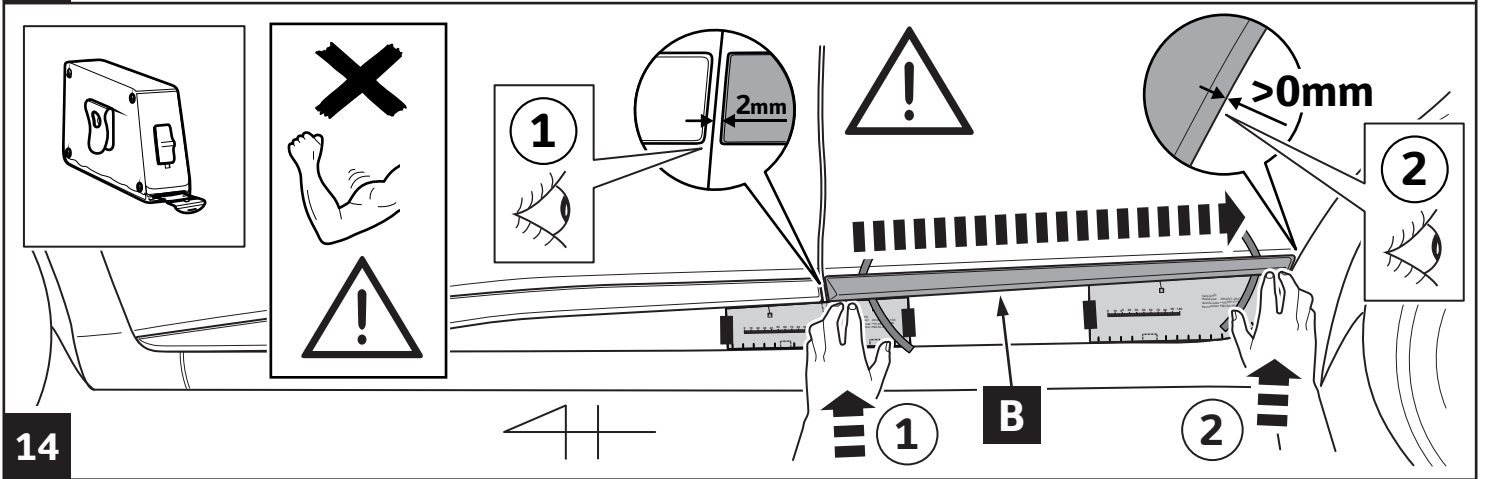
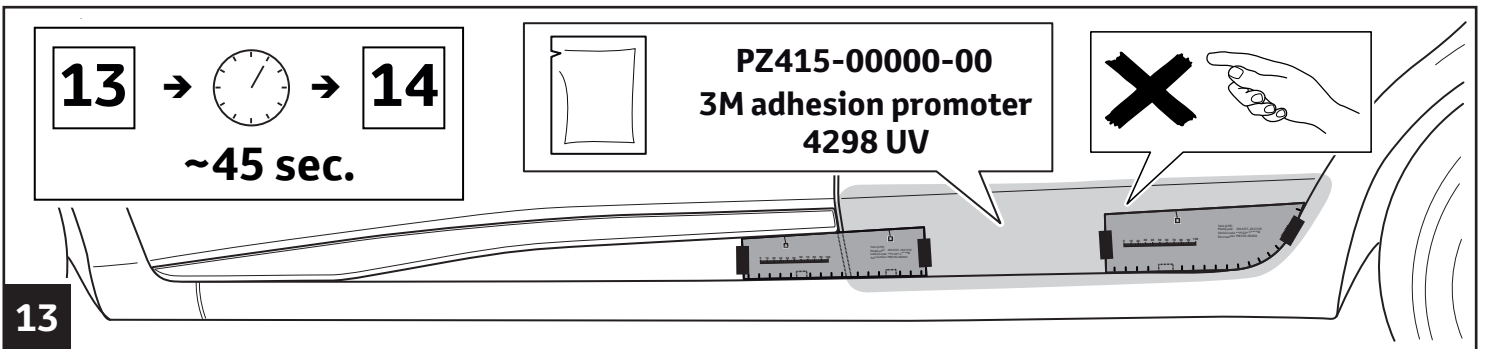
<p>1</p>	<p>< 20°C → 2</p> <p>> 20°C - 40°C → 12</p>	<p>2</p>
<p>3</p>	<p>> 20°C - 40°C → 12</p>	<p>INFO</p>

11



<p>1</p>	<p>< 20°C → 2</p> <p>> 20°C - 40°C → 13</p>	<p>2</p>
<p>3</p>	<p>> 20°C - 40°C → 13</p>	<p>INFO</p>

12



18

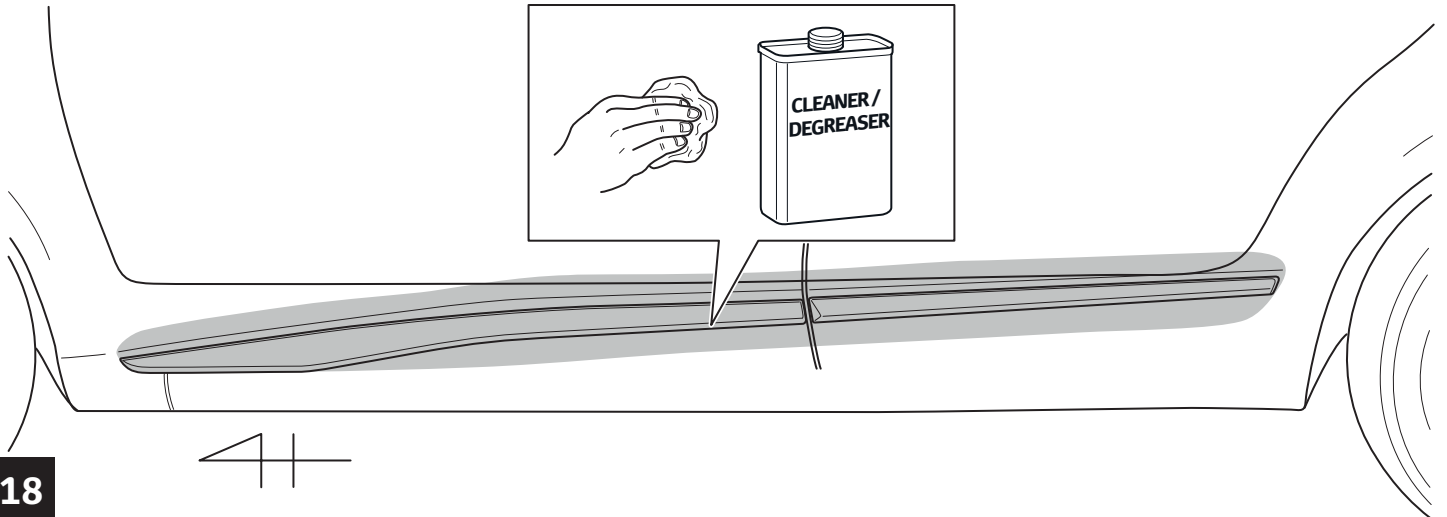
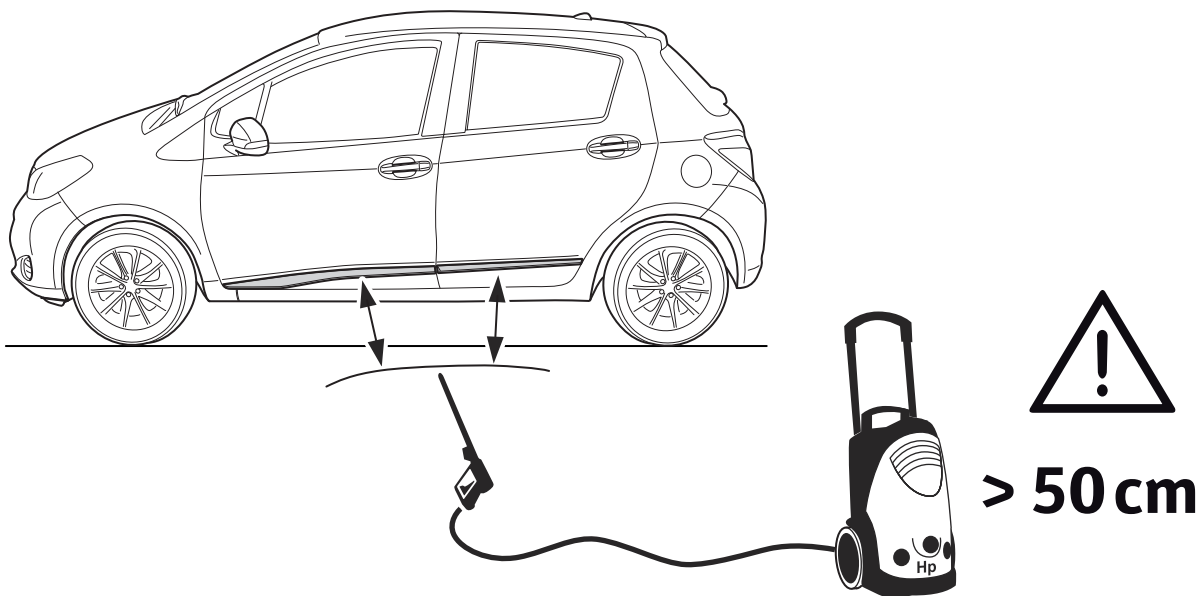
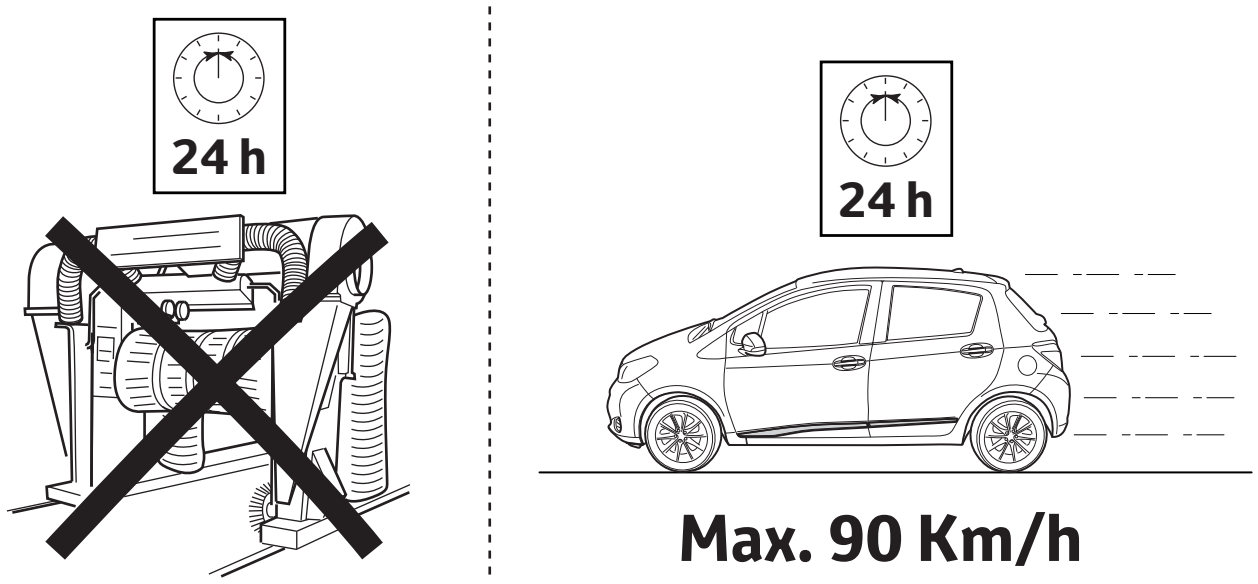


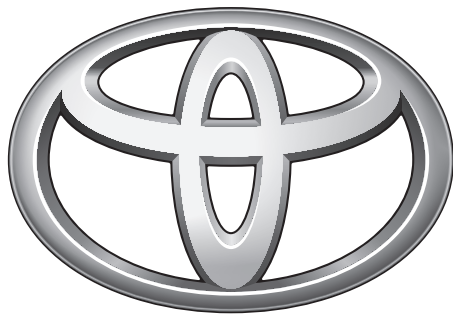
Fig.1 → Fig.18

Fig.1 → Fig.18

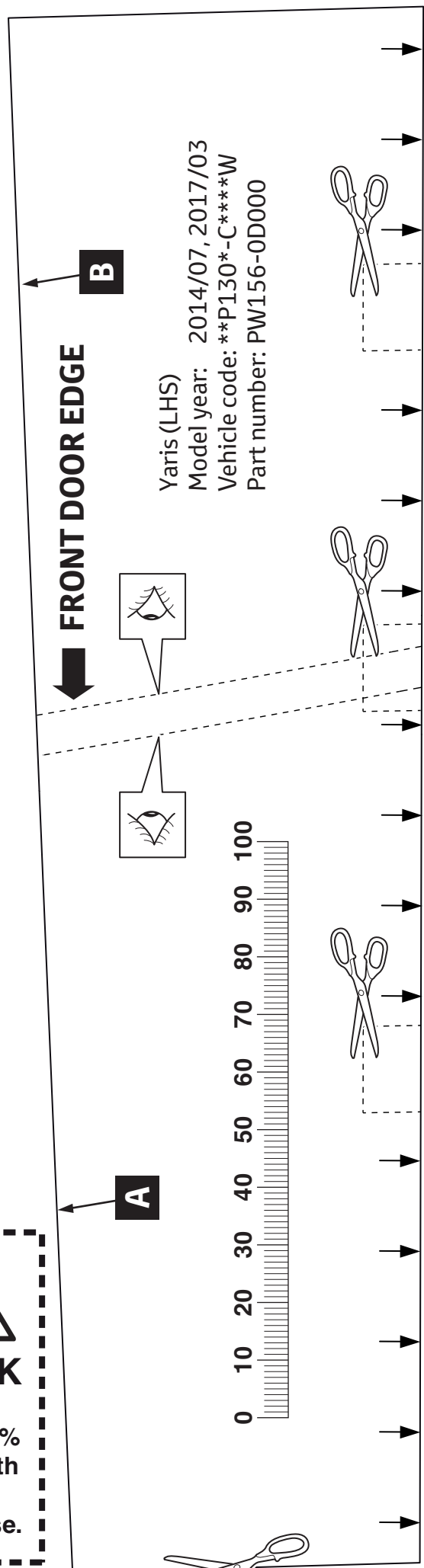
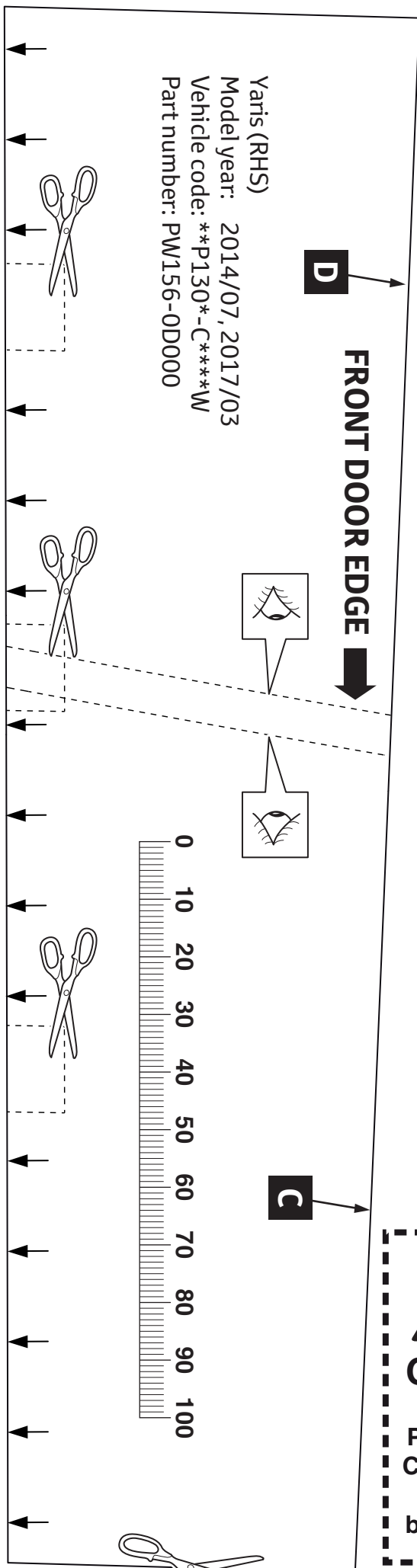
RHS = LHS
C D A B

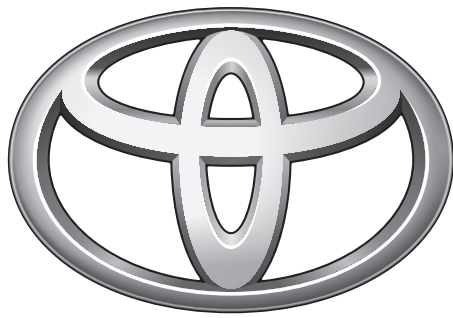
19



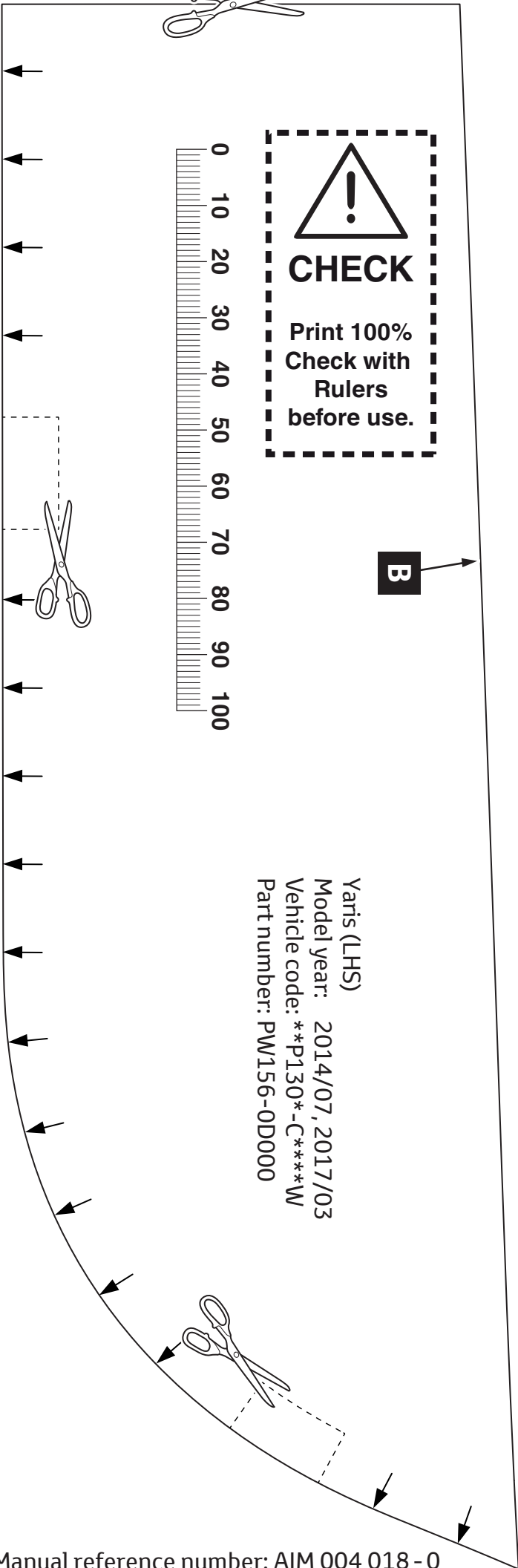
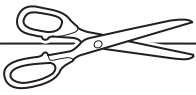


TOYOTA



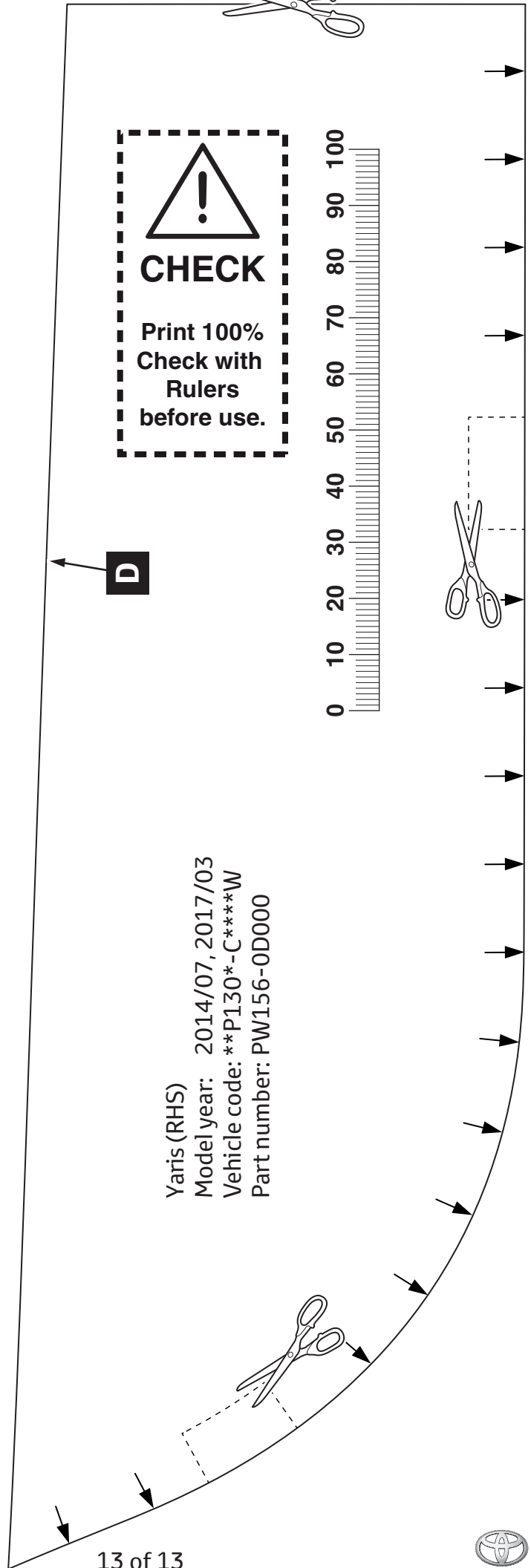
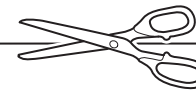


TOYOTA



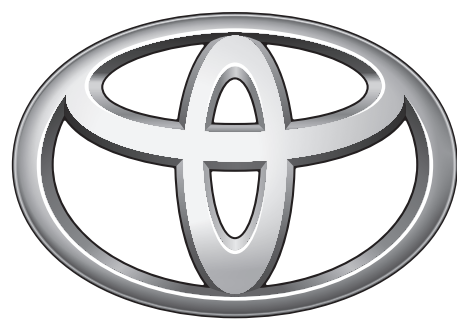
Yaris (LHS)
 Model year: 2014/07, 2017/03
 Vehicle code: **P130*-C****W
 Part number: PW156-0D000

B



Yaris (RHS)
 Model year: 2014/07, 2017/03
 Vehicle code: **P130*-C****W
 Part number: PW156-0D000

D



TOYOTA

CHECK SHEET



TOYOTA

Model / Year

Yaris

2014/07, 2017/03

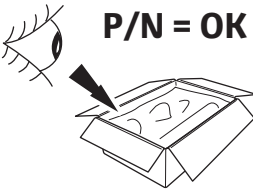
Side garnish

Carbon look

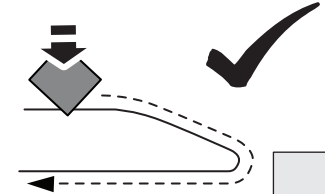
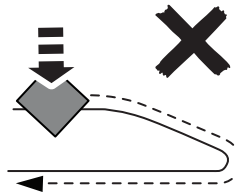
VIN n°

□ □ □ □ □ □ □ □ □ □ □ □ □ □ □ □

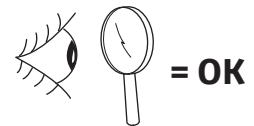
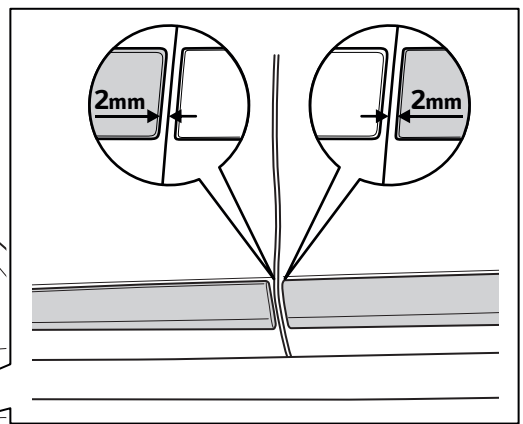
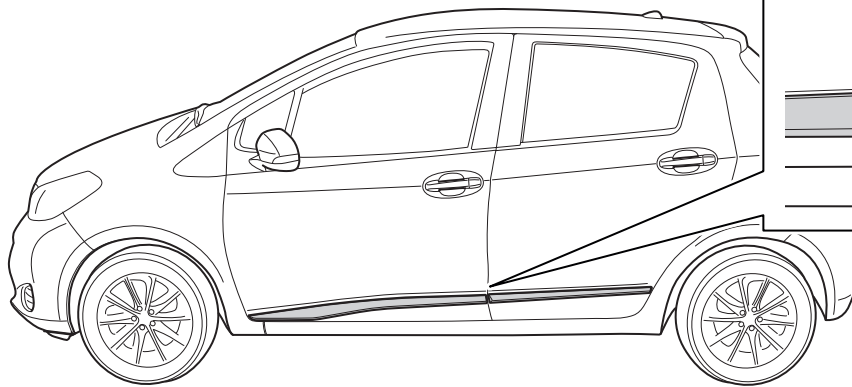
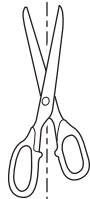
ALWAYS A BETTER WAY



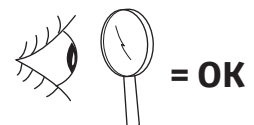
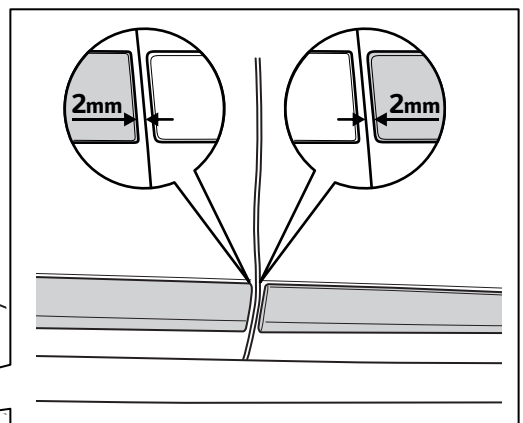
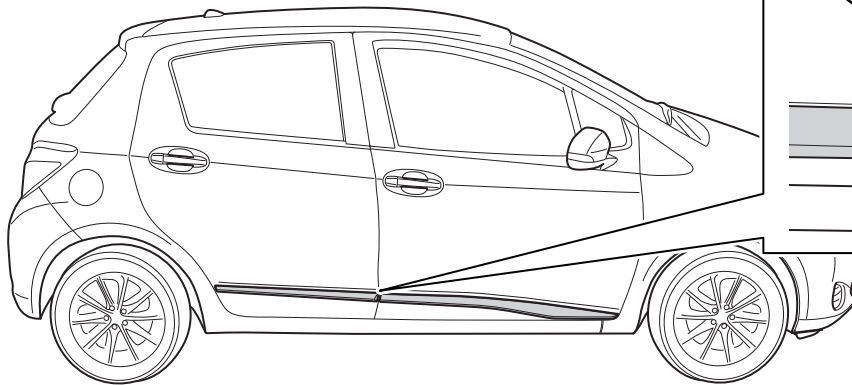
□



□



□



□

Installation Date:

.. / .. / ..

Technician Name & Signature:

Stamp: