



TOYOTA

ALWAYS A
BETTER WAY

Toyota C-HR

Rear underguard

Installation instructions

Model year: 2016/10, 2019/10

Vehicle code:
NGX***-*H***W
ZYX***-*H***W
NGX*0*-AH***X
ZYX*0*-AH***X

Part number: PW415-10000

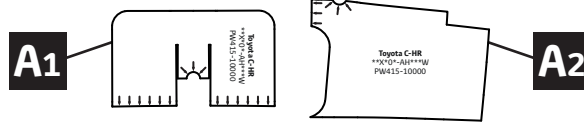
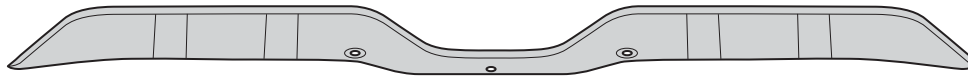
Manual reference number: AIM 003 847 - 3

Revision Record

Rev. No.	Date	Page	Picture	Update	New	Deleted steps
1	13.10.17	2, 3, 4, 14		X		
1	13.10.17	6, 7	7, 8		X	
1	13.10.17	9, 10	13, 14, 16, 17	X		
1	13.10.17	9, 10	15, 18		X	
1	13.10.17	11	19	X		
2	02.05.18	1		X		

Rev. No.	Date	Page	Step	Remarks
3	29.08.19	1, 14	C/S	Model year & Vehicle codes added
3	29.08.19	2, 4, 14	C/S	Updated

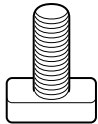
PW415-10000



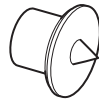
A

1x

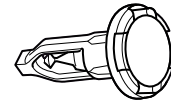
PW415-10001



4x



4x



3x



4x



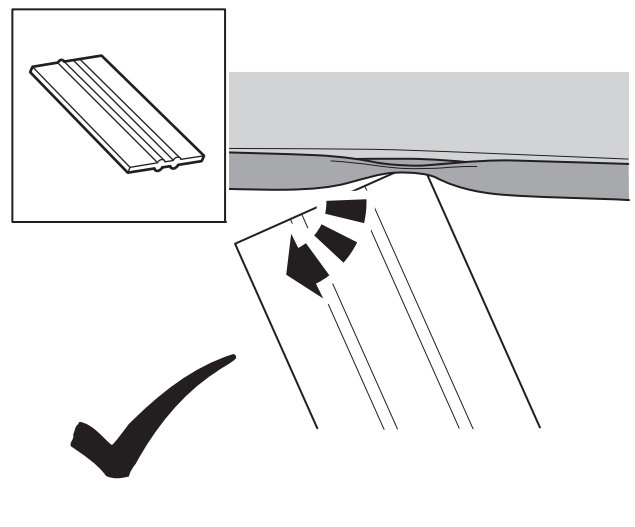
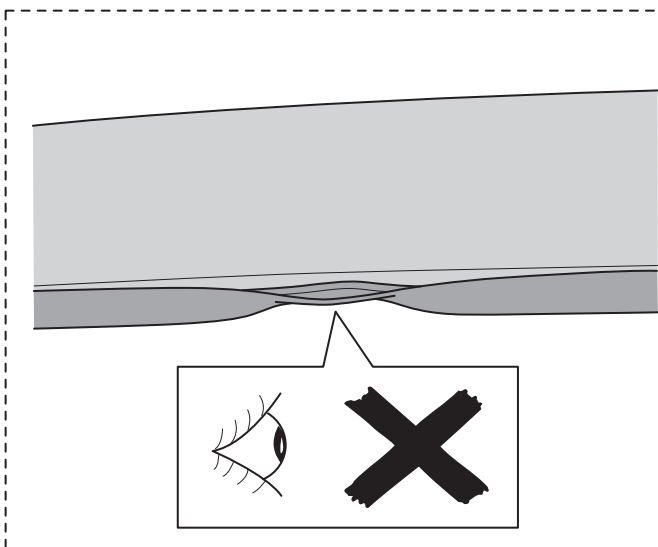
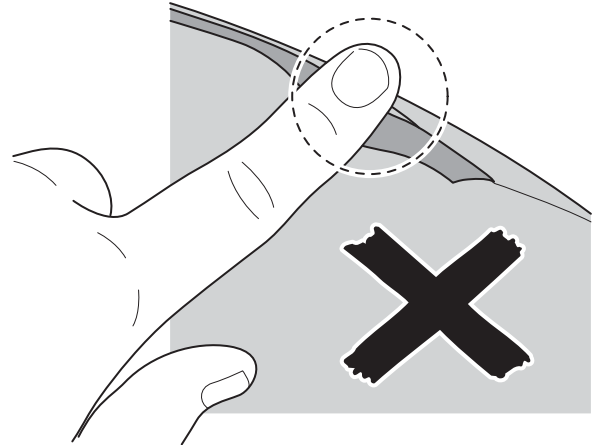
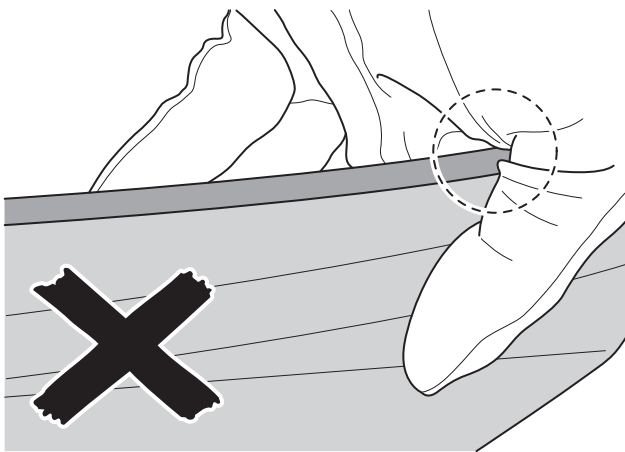
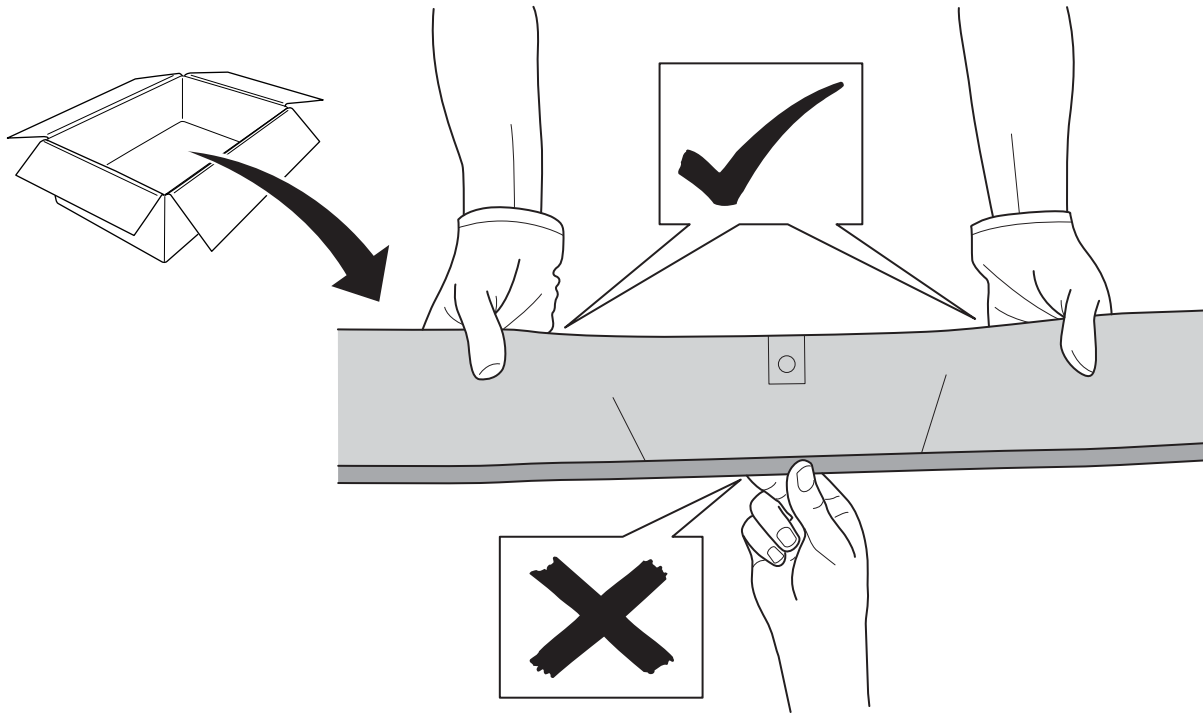
4x



2x

<p>10 mm</p>		<p>Ø 3,5 mm Ø 6 mm Ø 9 mm</p>		<p>CLEANER / DEGREASER</p> <p>AIM 003 516-*</p>			<p>SOAP</p>	<p>H₂O</p>
						<p>Loctite 222</p>		

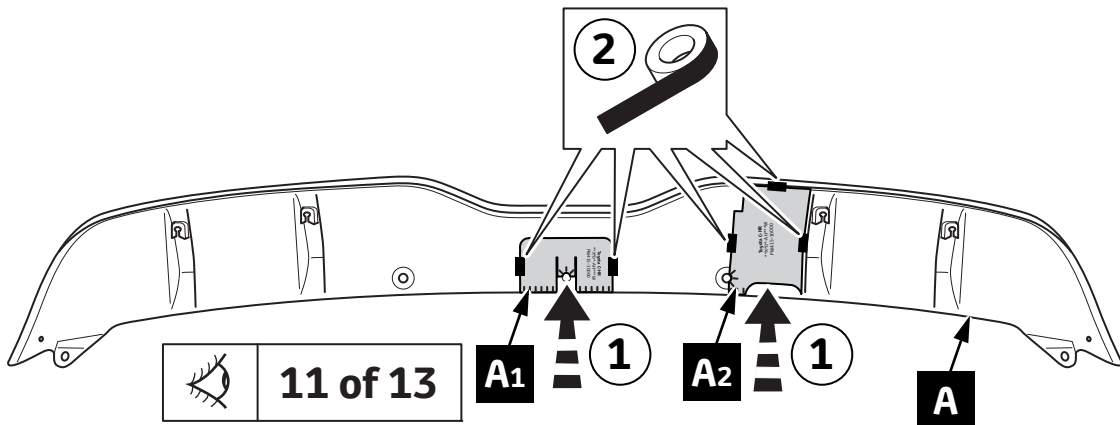
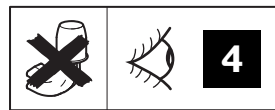
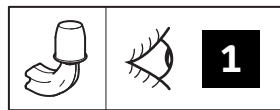
INFO



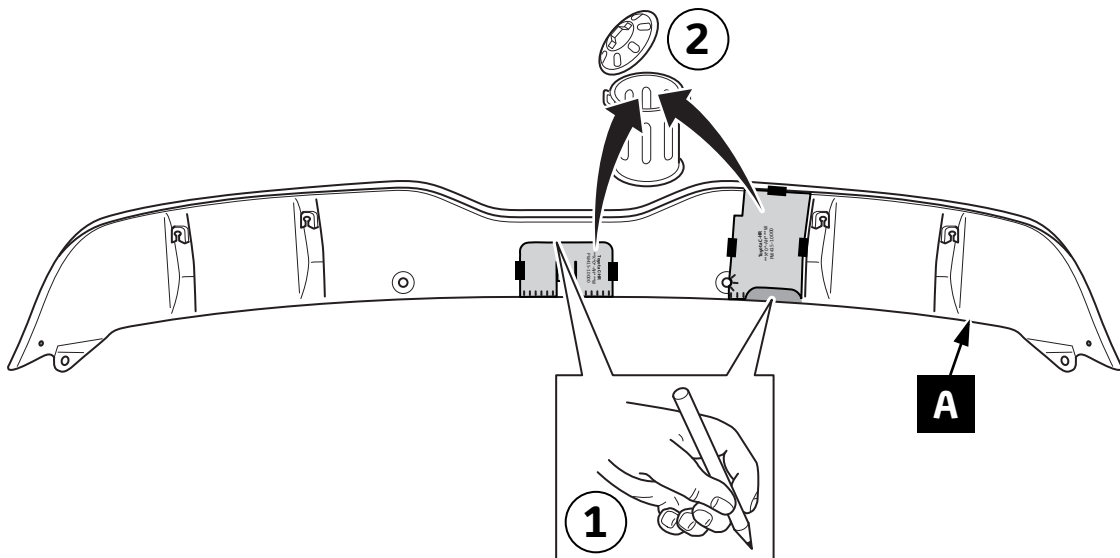
Material Safety Data Sheet



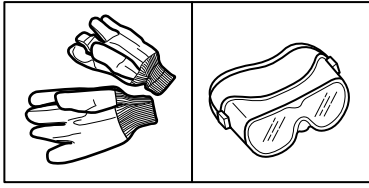
Technical Data Sheet



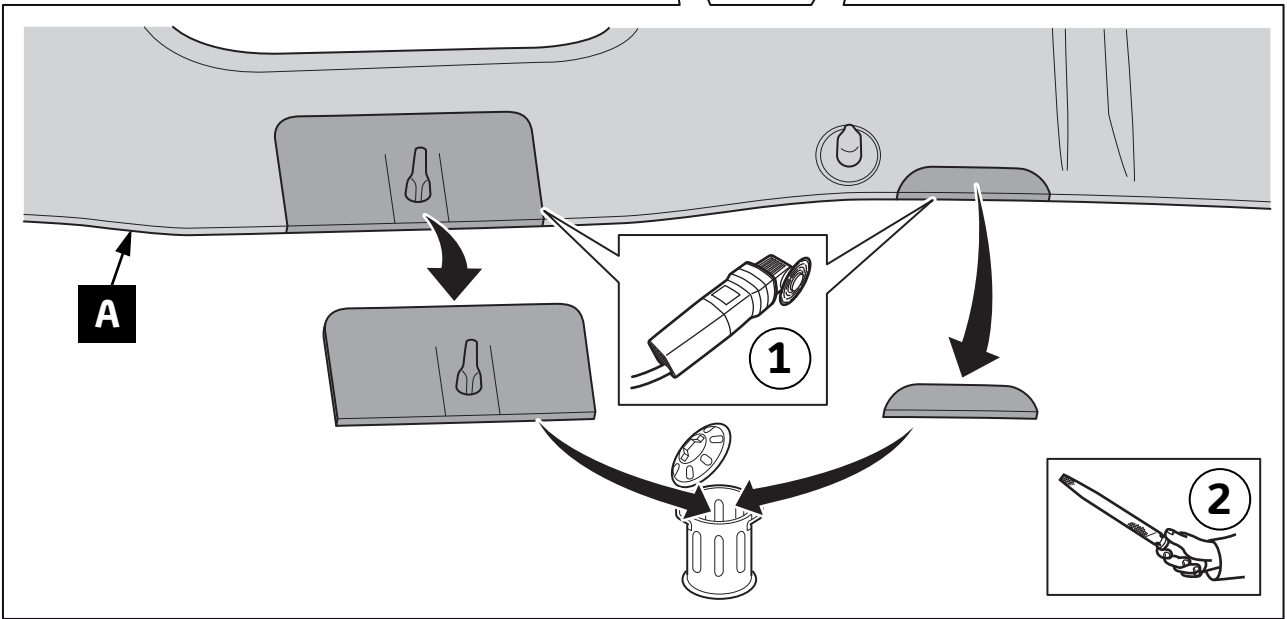
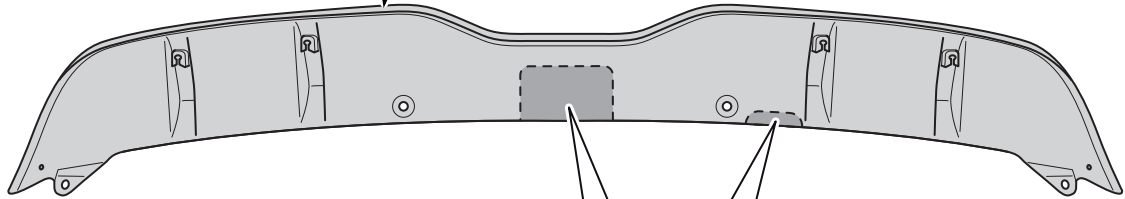
1



2

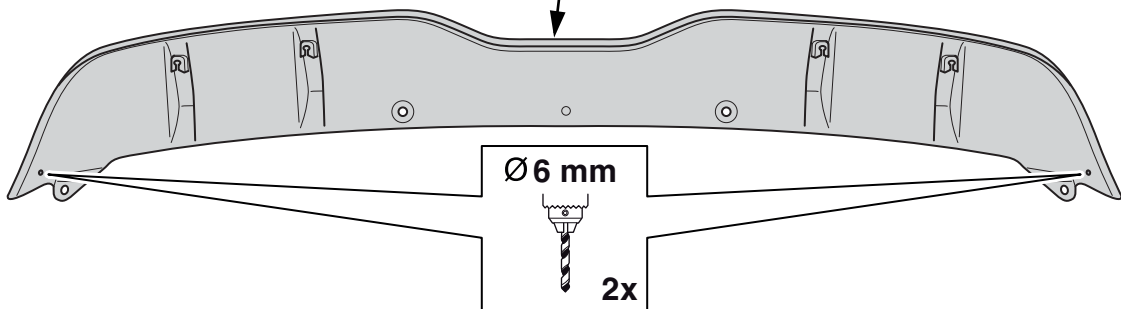


A

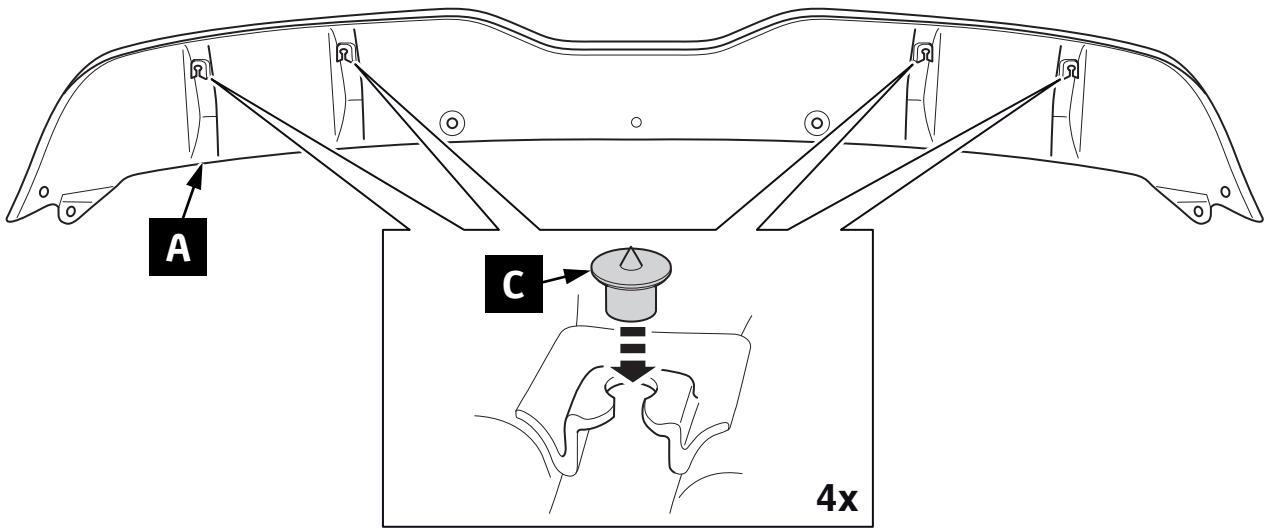


3

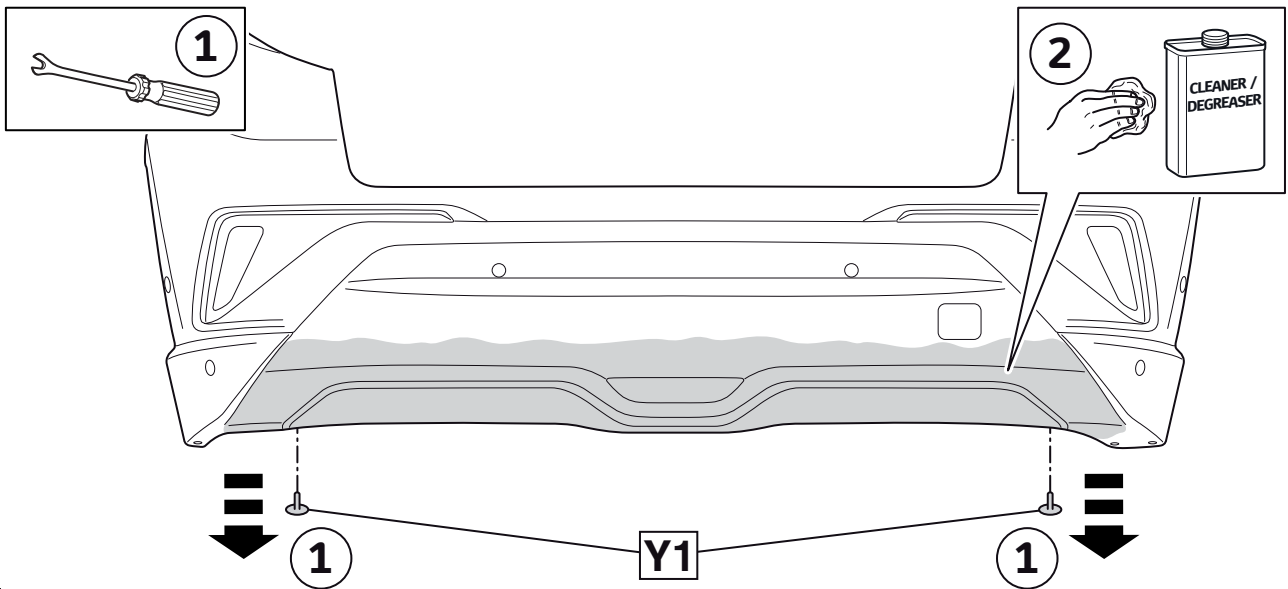
A



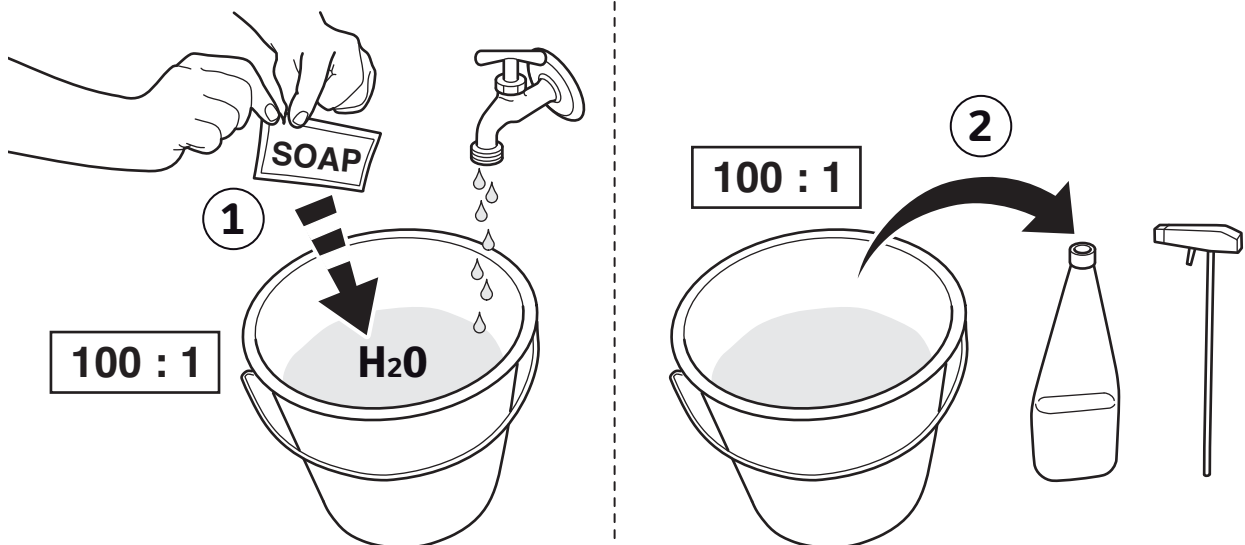
4



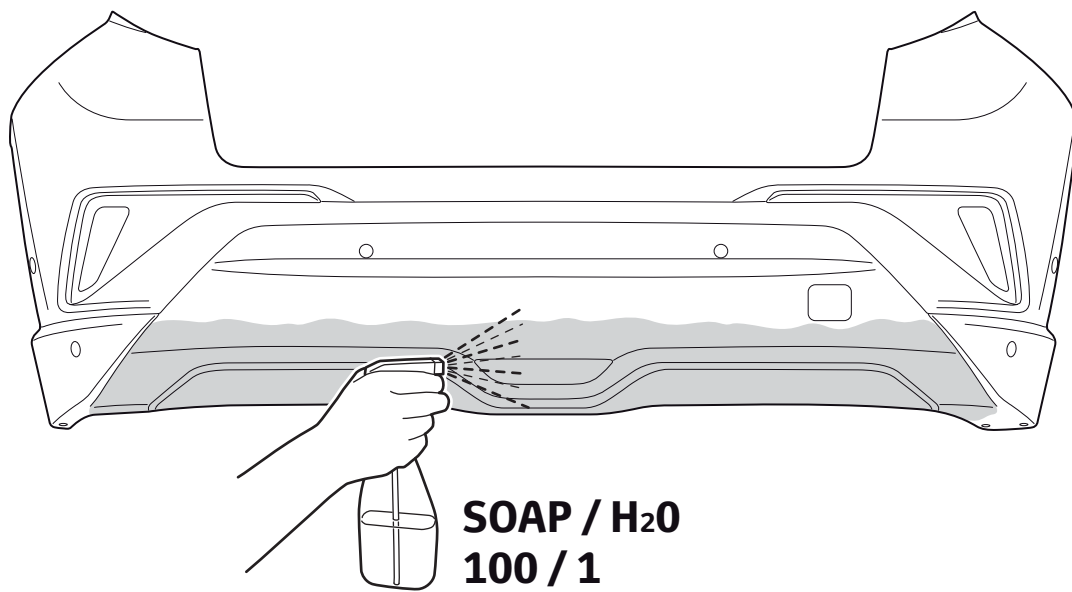
5



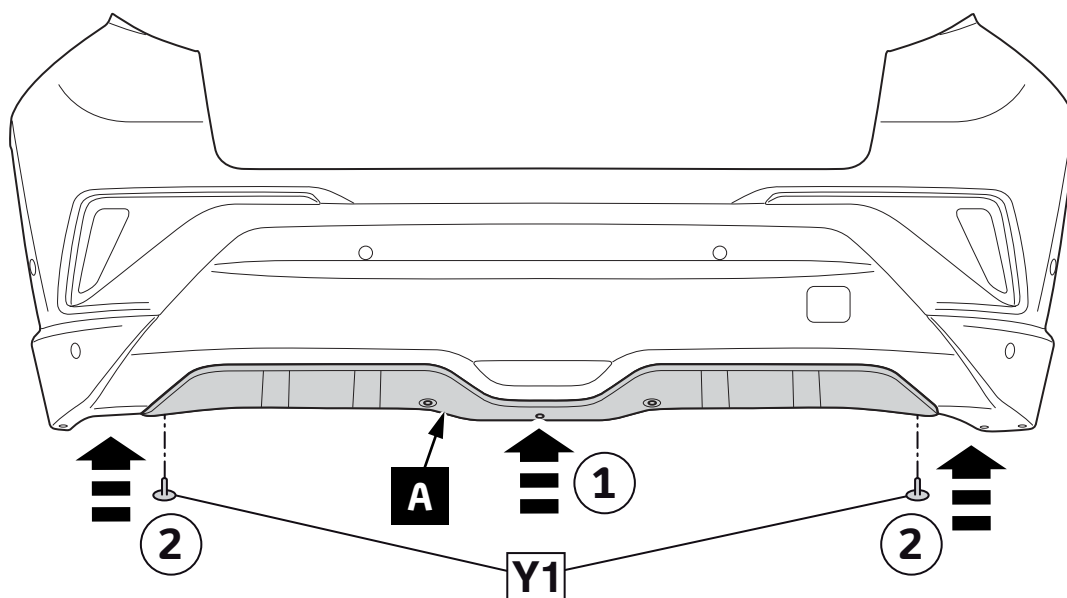
6



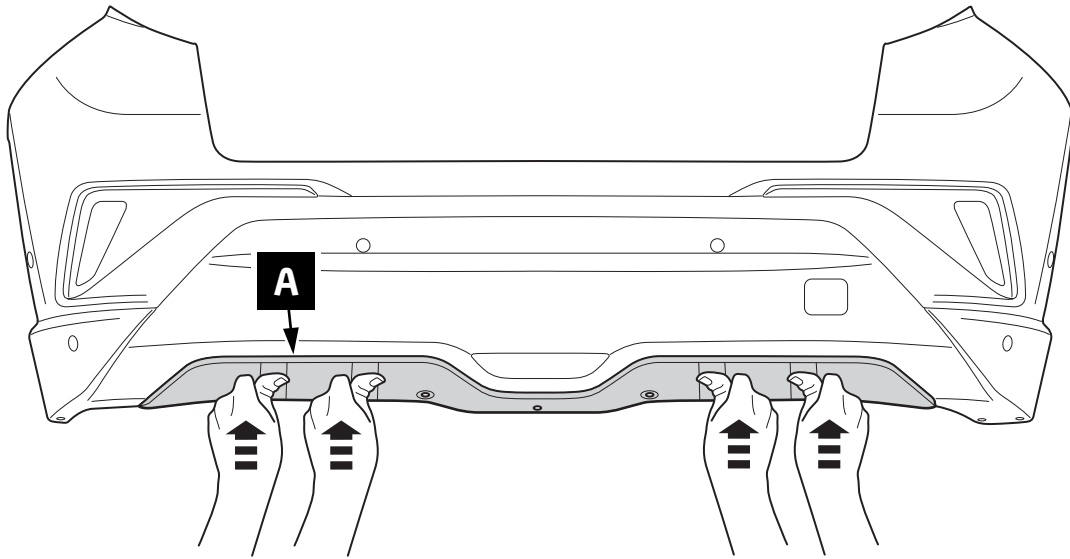
7



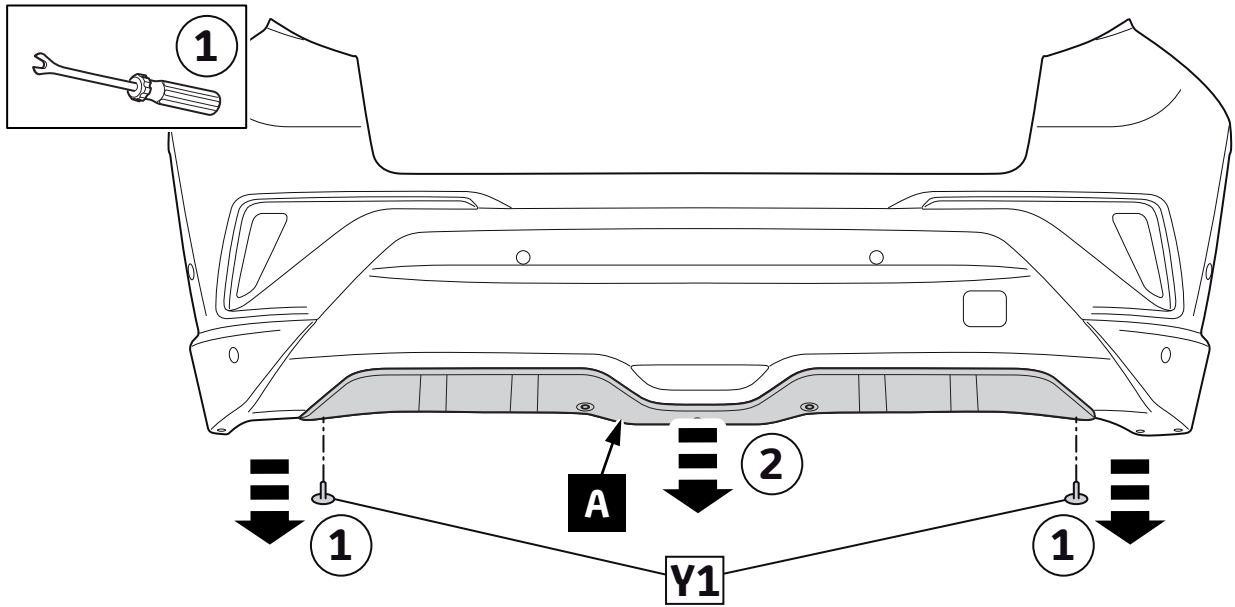
8



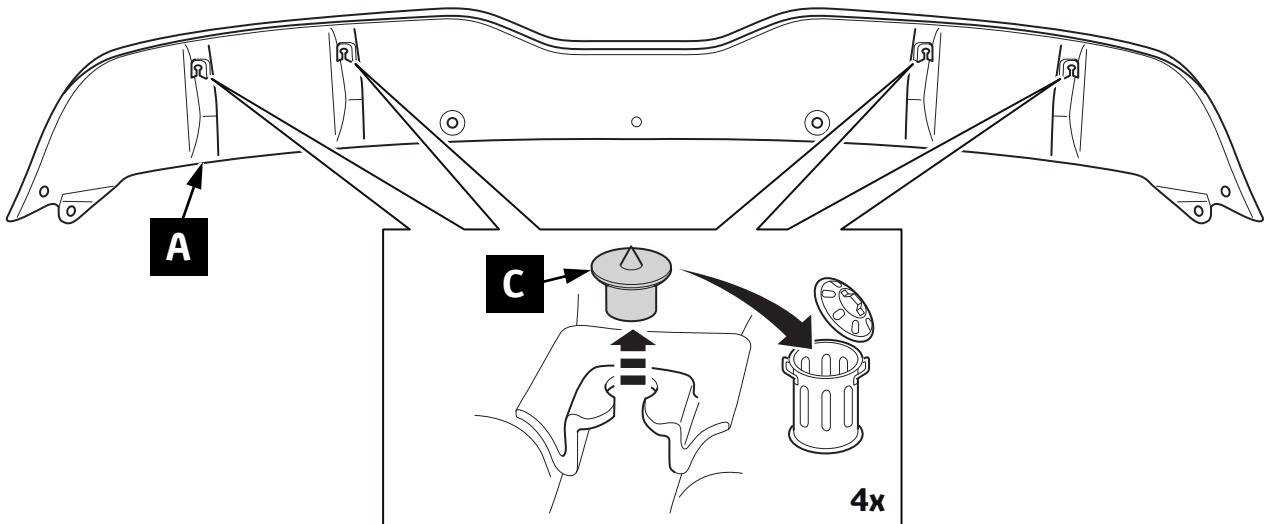
9



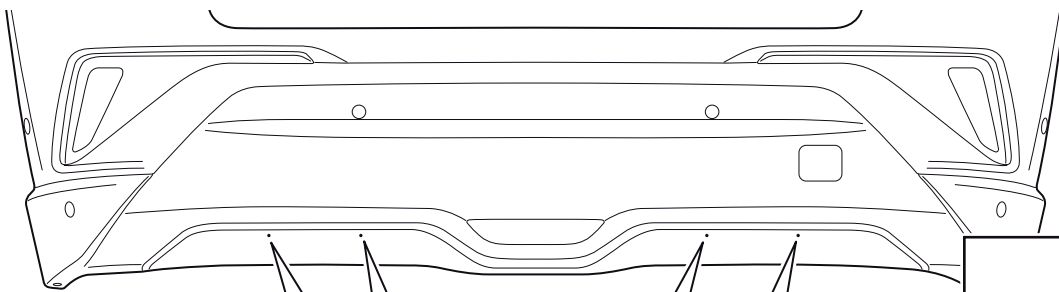
10

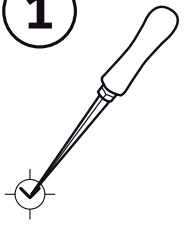


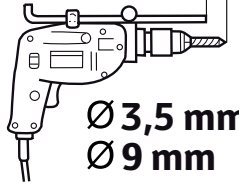
11

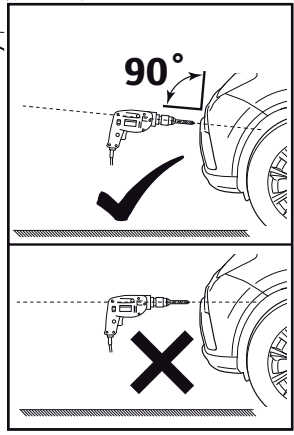


12

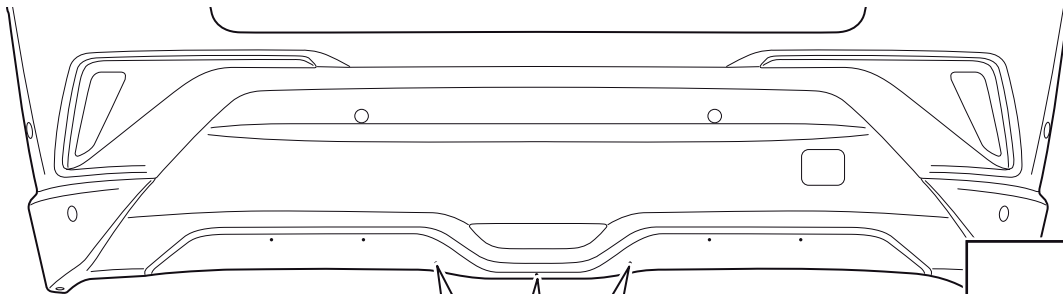


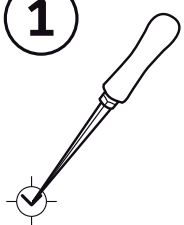
1 

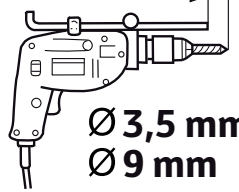
2  max. 10 mm
Ø 3,5 mm
Ø 9 mm 4x

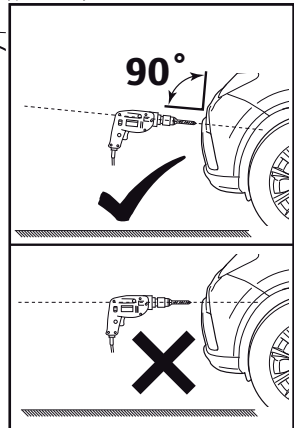


13

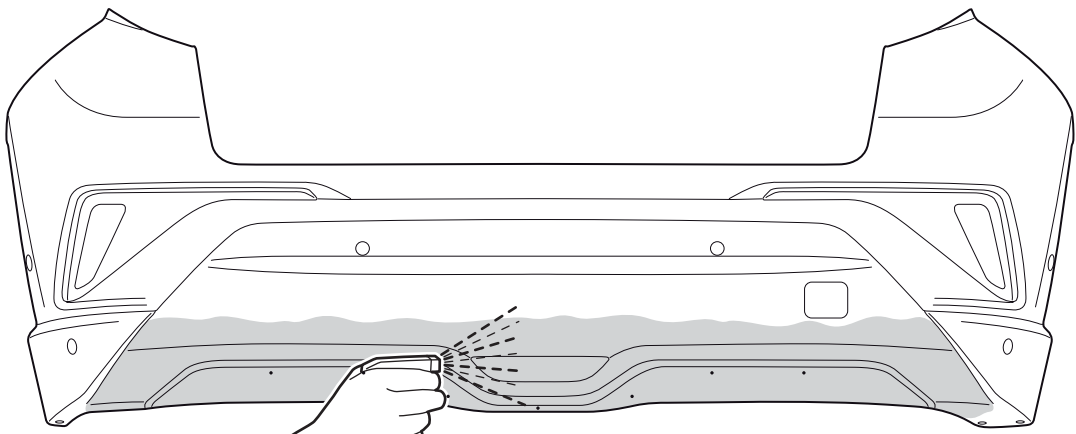


1 

2  max. 10 mm
Ø 3,5 mm
Ø 9 mm 3x

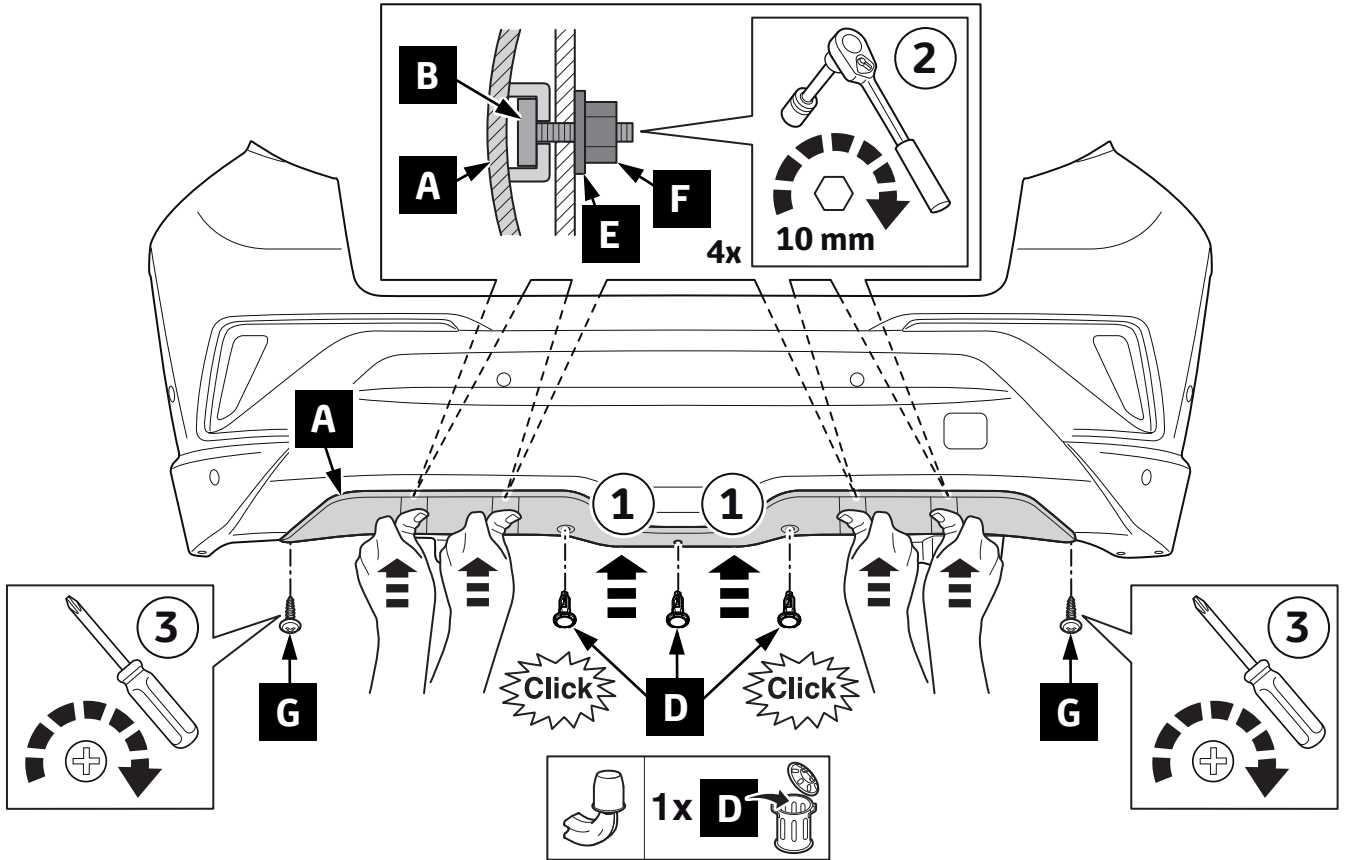


14



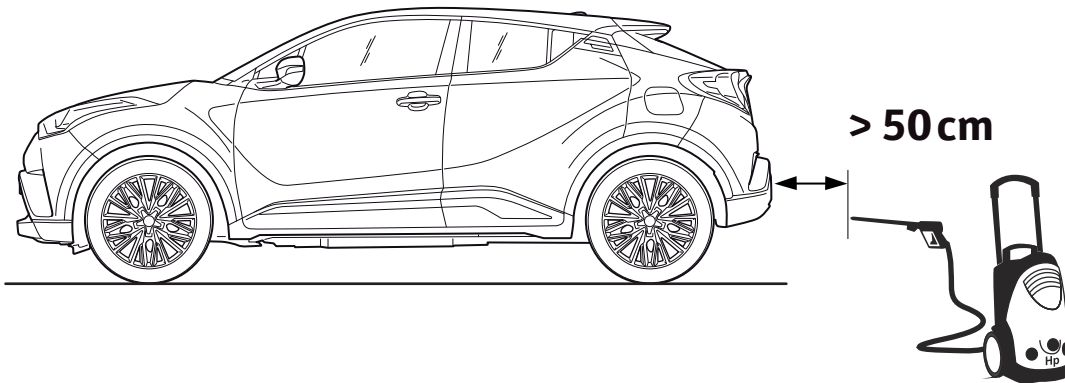
SOAP / H₂O
100 / 1

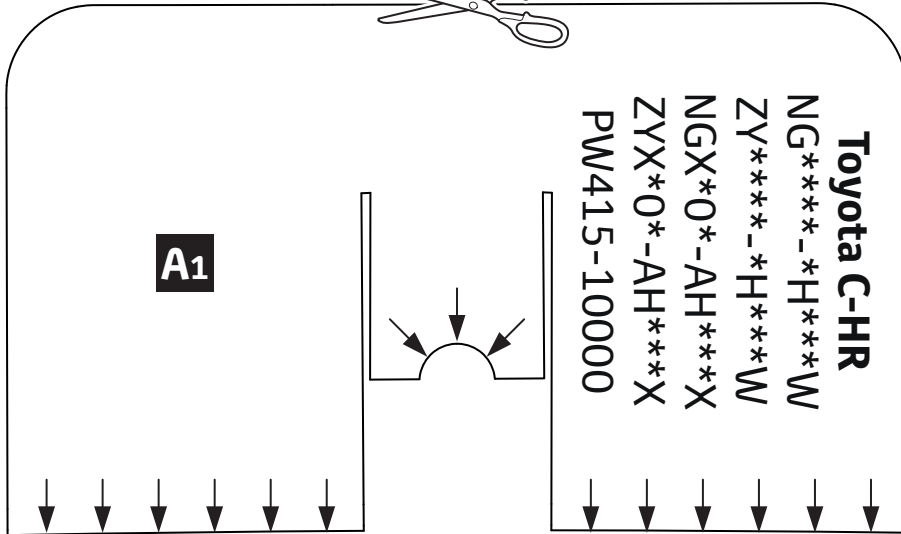
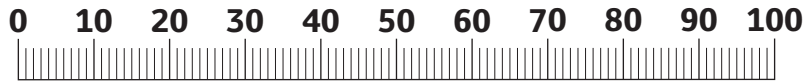
15



19

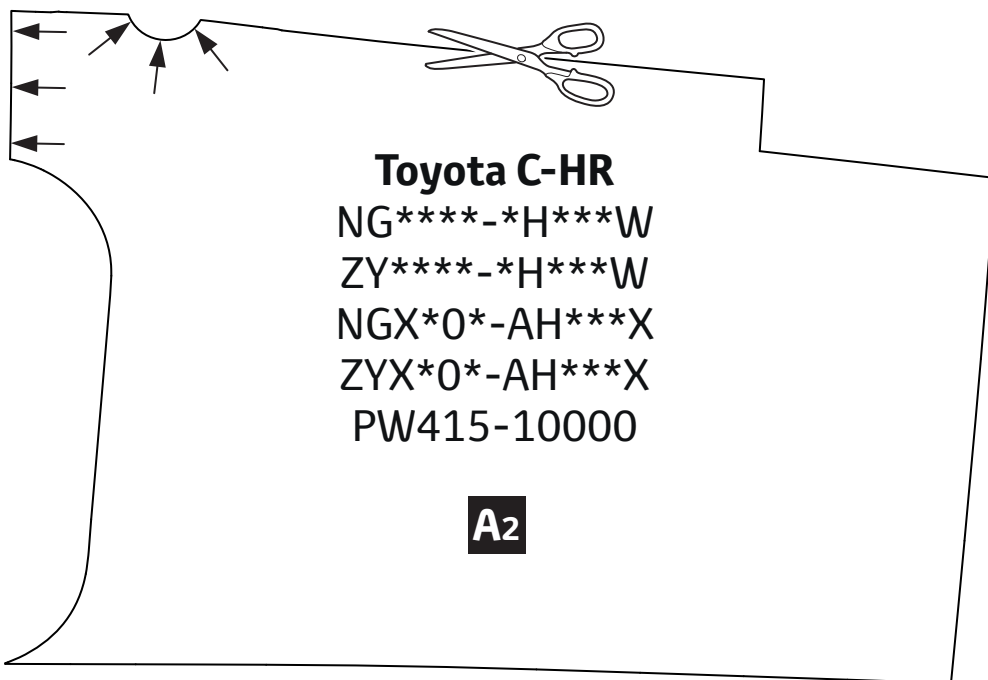
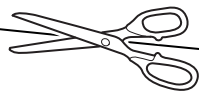
INFO

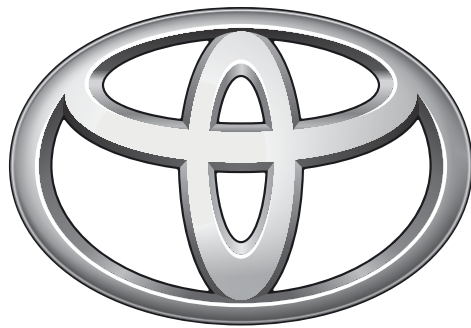




CHECK

Print 100%
 Check with Rulers
 before use.





TOYOTA

CHECK SHEET Page 1 of 1




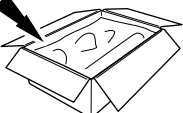
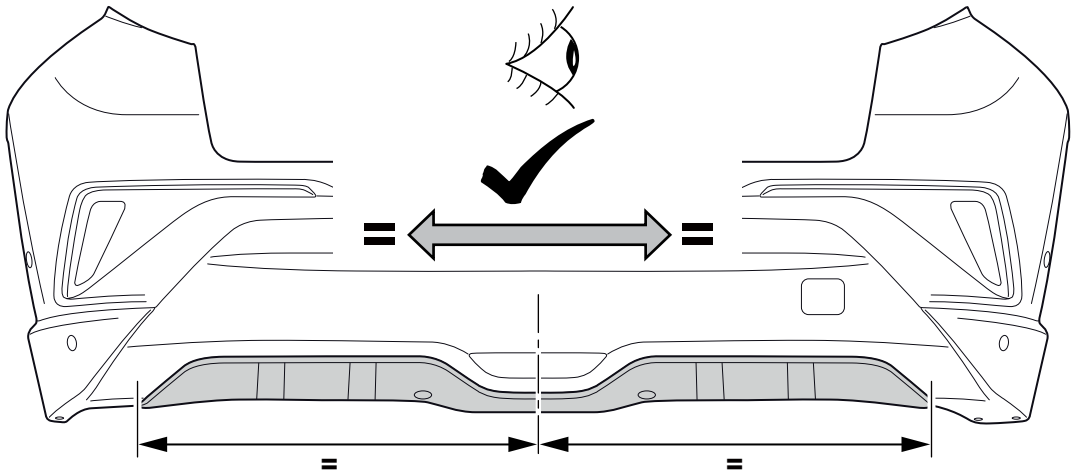
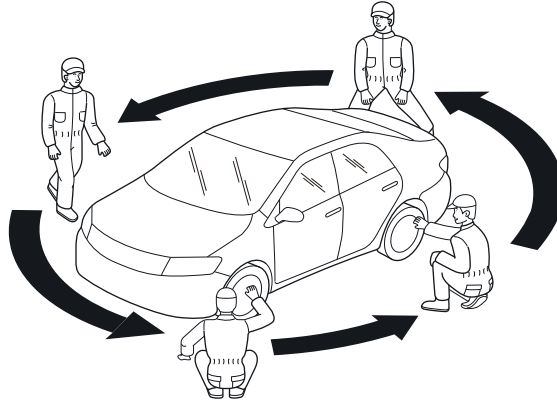

TOYOTA

ALWAYS A
BETTER WAY

Model / Year Toyota C-HR
2016/10, 2019/10 **Rear Underguard**

VIN n°

 **P/N = OK**




 = OK

Installation Date:
... / ... /

Technician Name & Signature:

Stamp: