



**TOYOTA**

ALWAYS A  
BETTER WAY

# Hilux / Fortuner

## Spare Wheel Lock

Installation Instructions

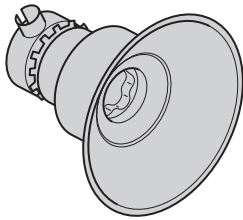
Model year:	Hilux, As from 2015/04 Fortuner, As from 2017/08
Vehicle code:	Hilux, GUN***-****XW* Fortuner, **N156L-ST****
Part number:	PC458-0K001-V1

Manual reference number: AIM 004 258-1

# Revision record

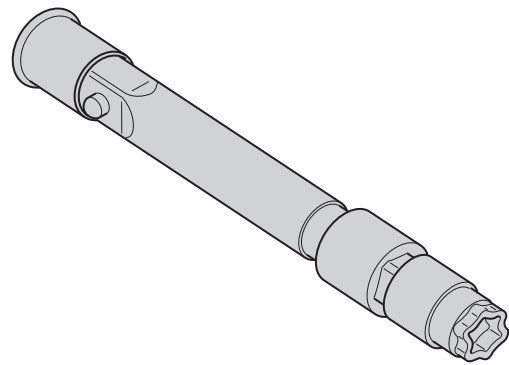
Rev. No.	Date	Page	Steps	Remarks
1	31-03-2020	1, 5	CS	Model year & Vehicle code updated

PC458-0K001-V1



**A**

1x

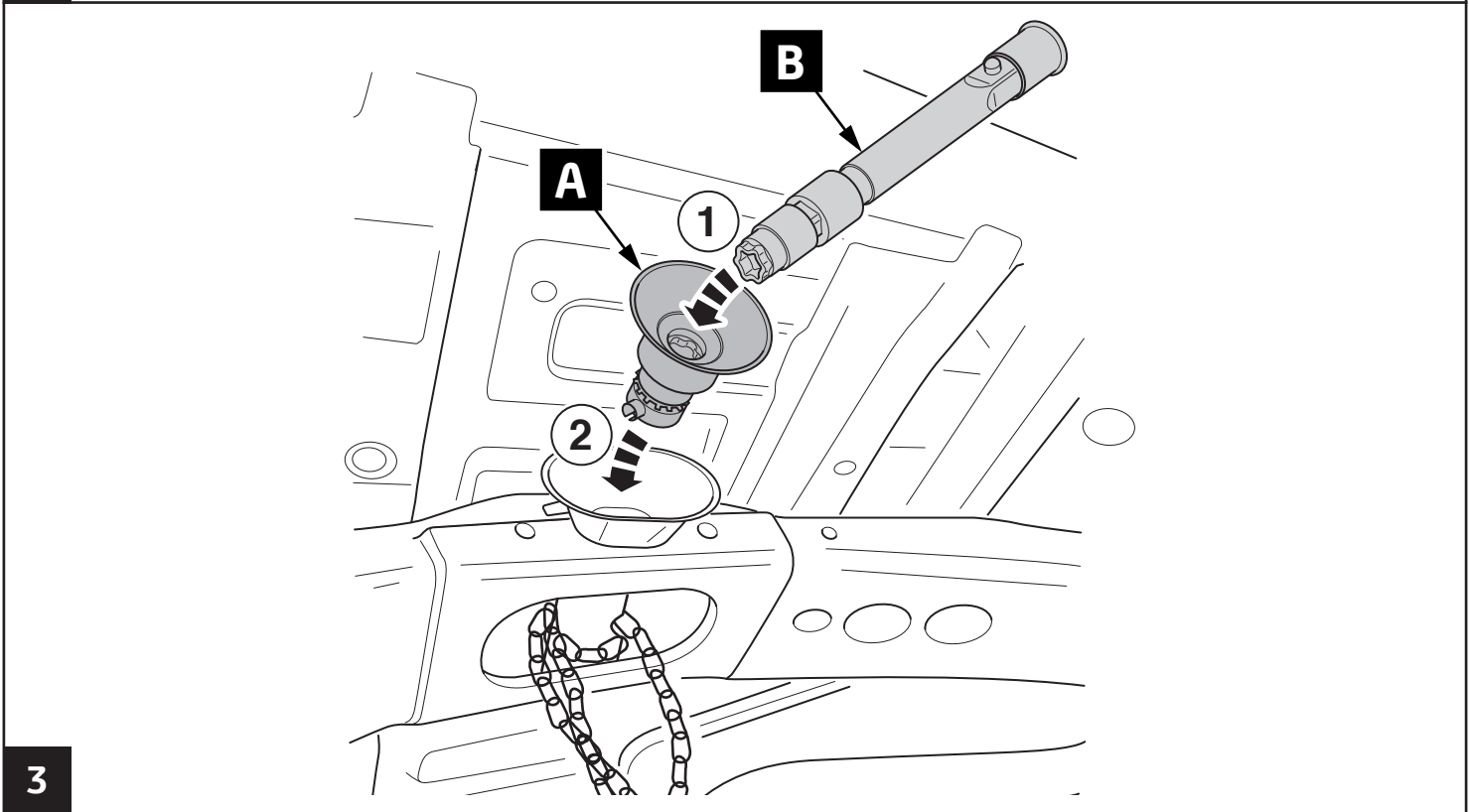
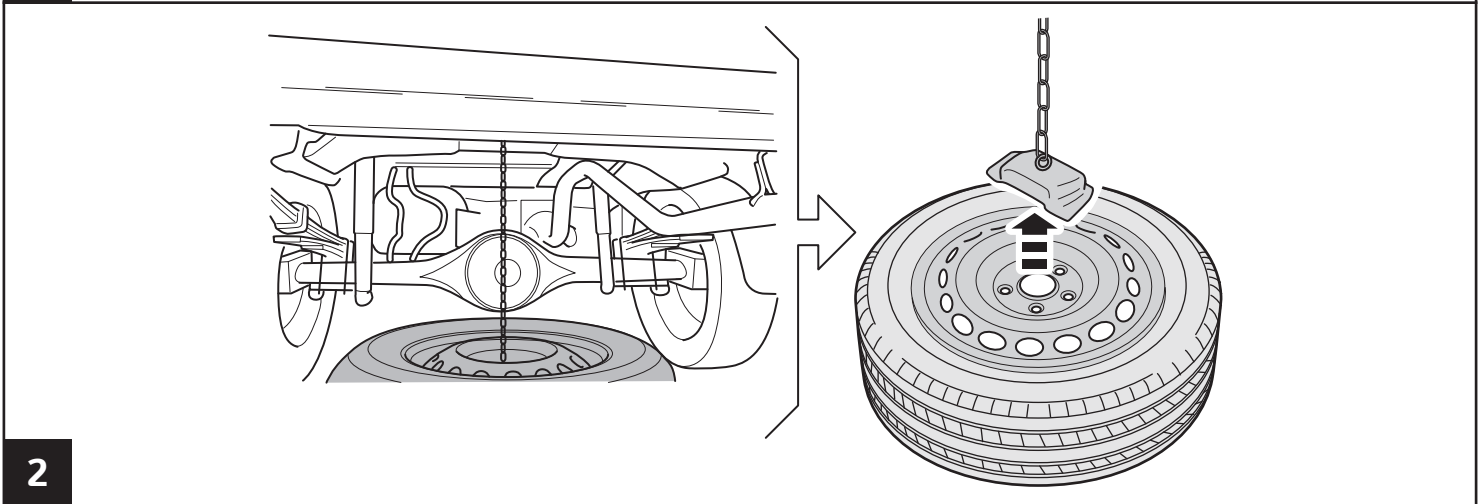
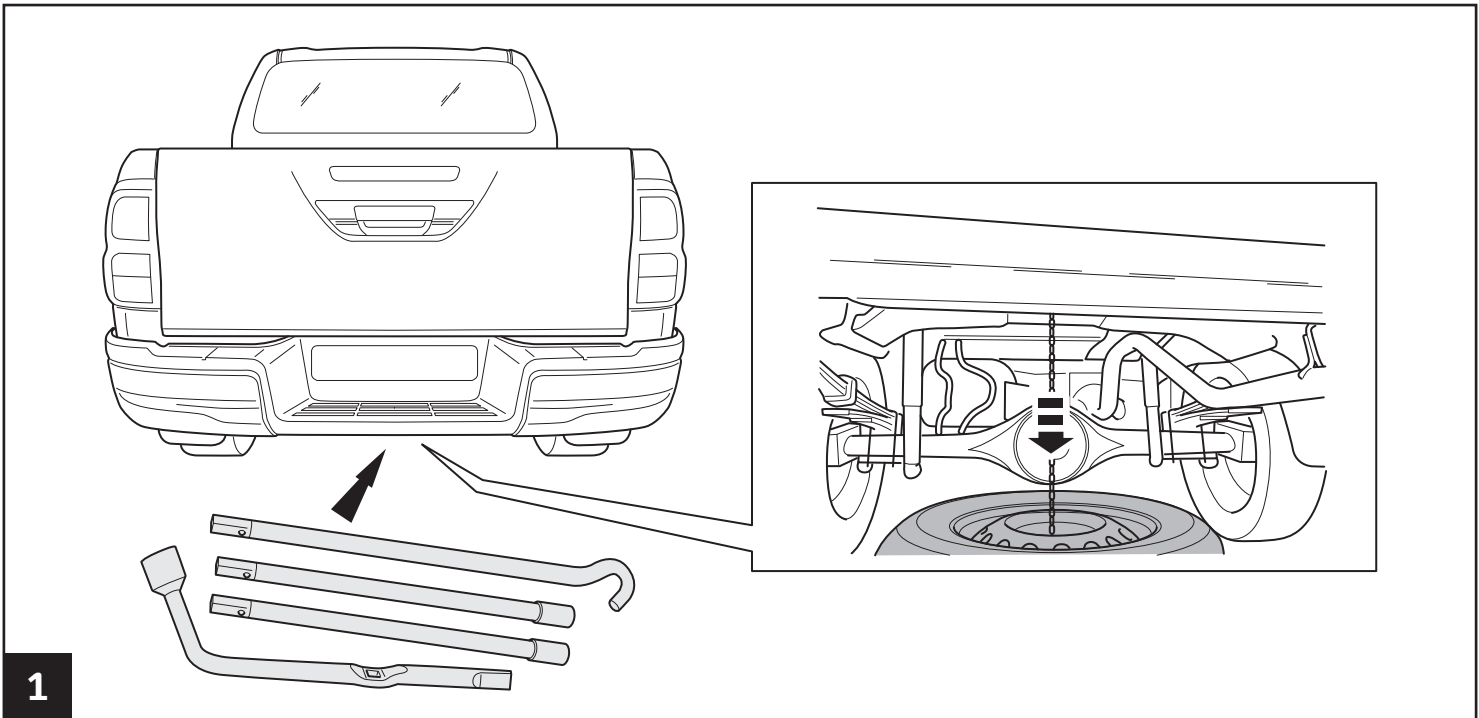


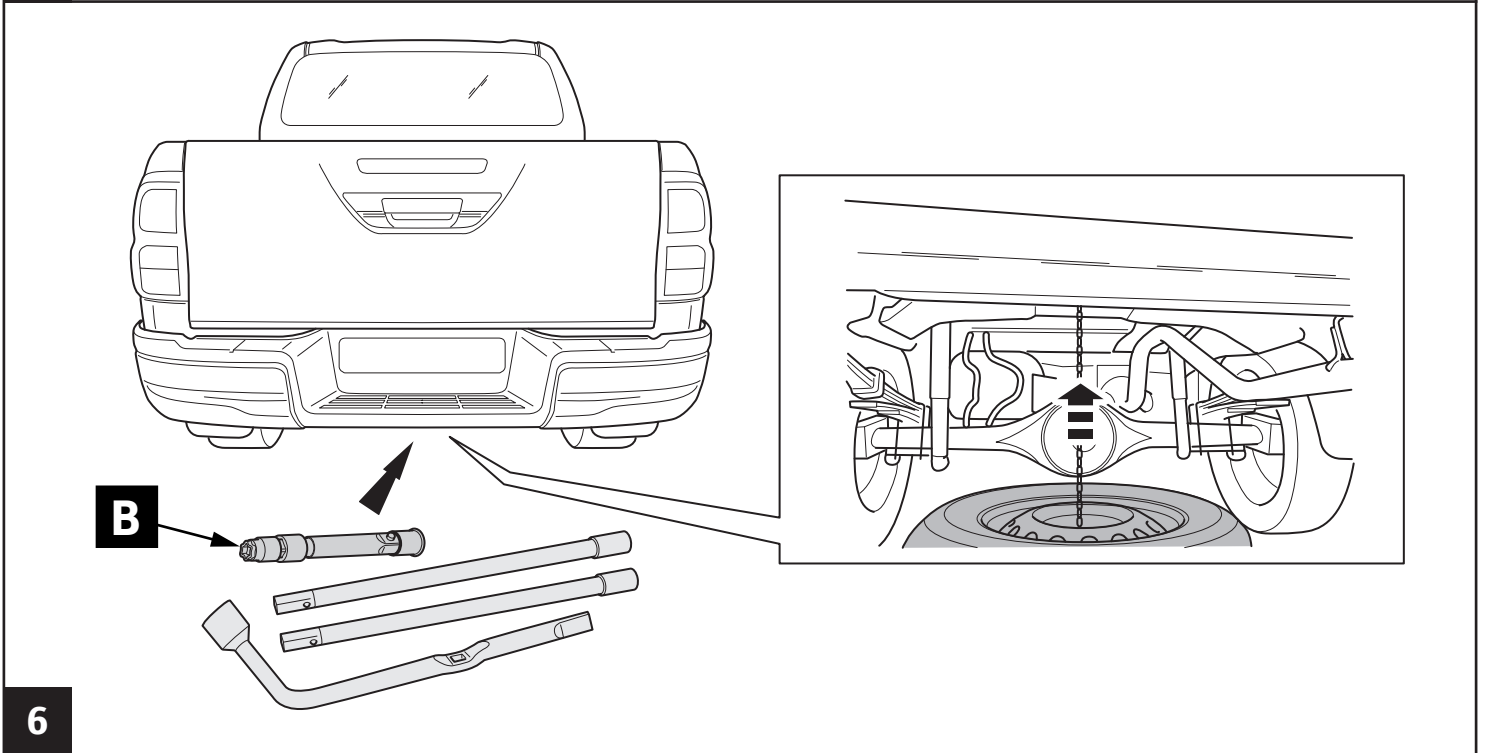
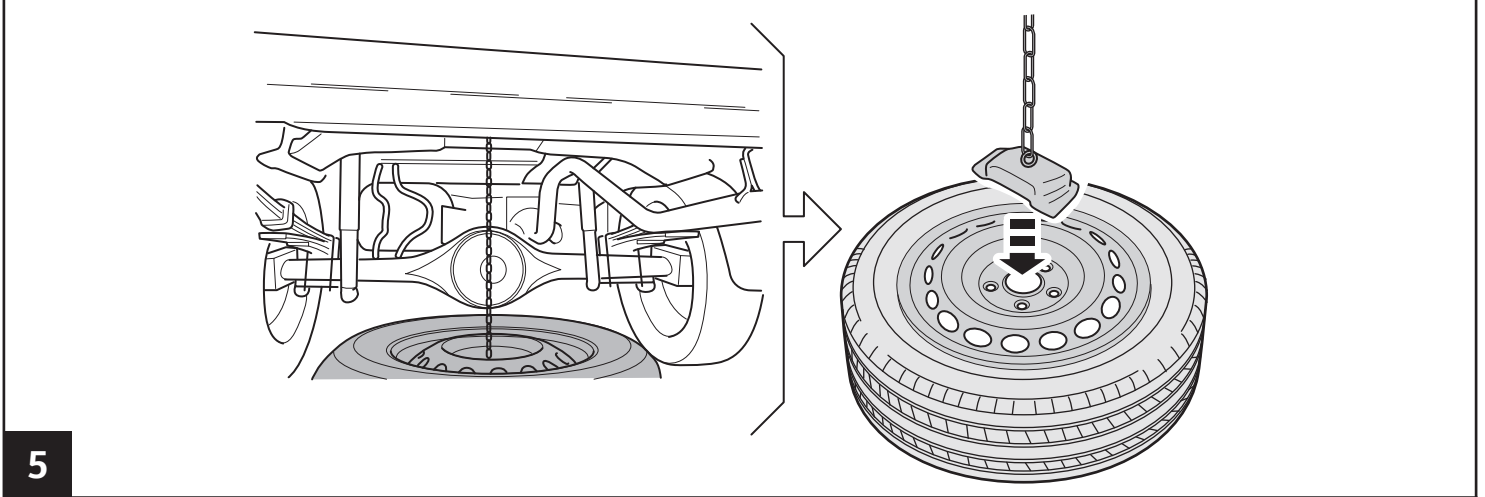
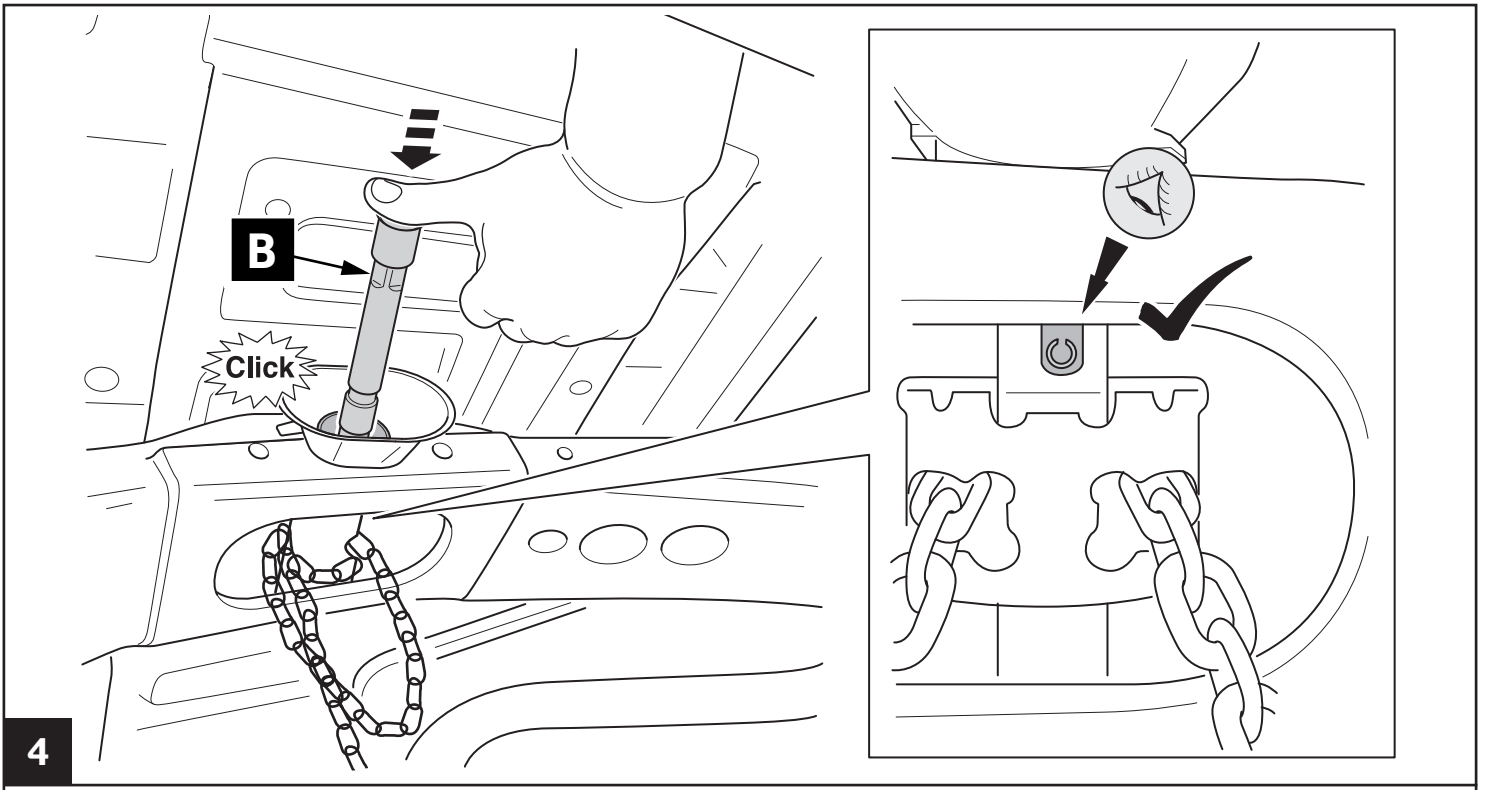
**B**

3x

1x









**TOYOTA**

ALWAYS A  
BETTER WAY

# CHECK SHEET

Page 1 of 1

Model / Year

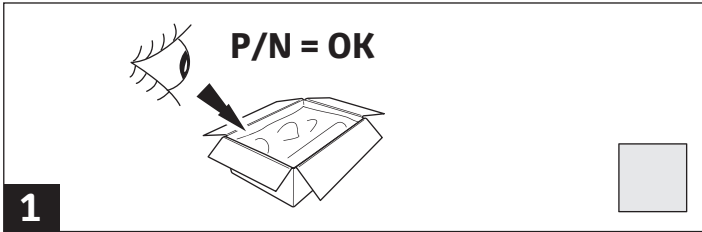
Hilux, As from 2015/04  
Fortuner, As from 2017/08

Spare Wheel  
Lock

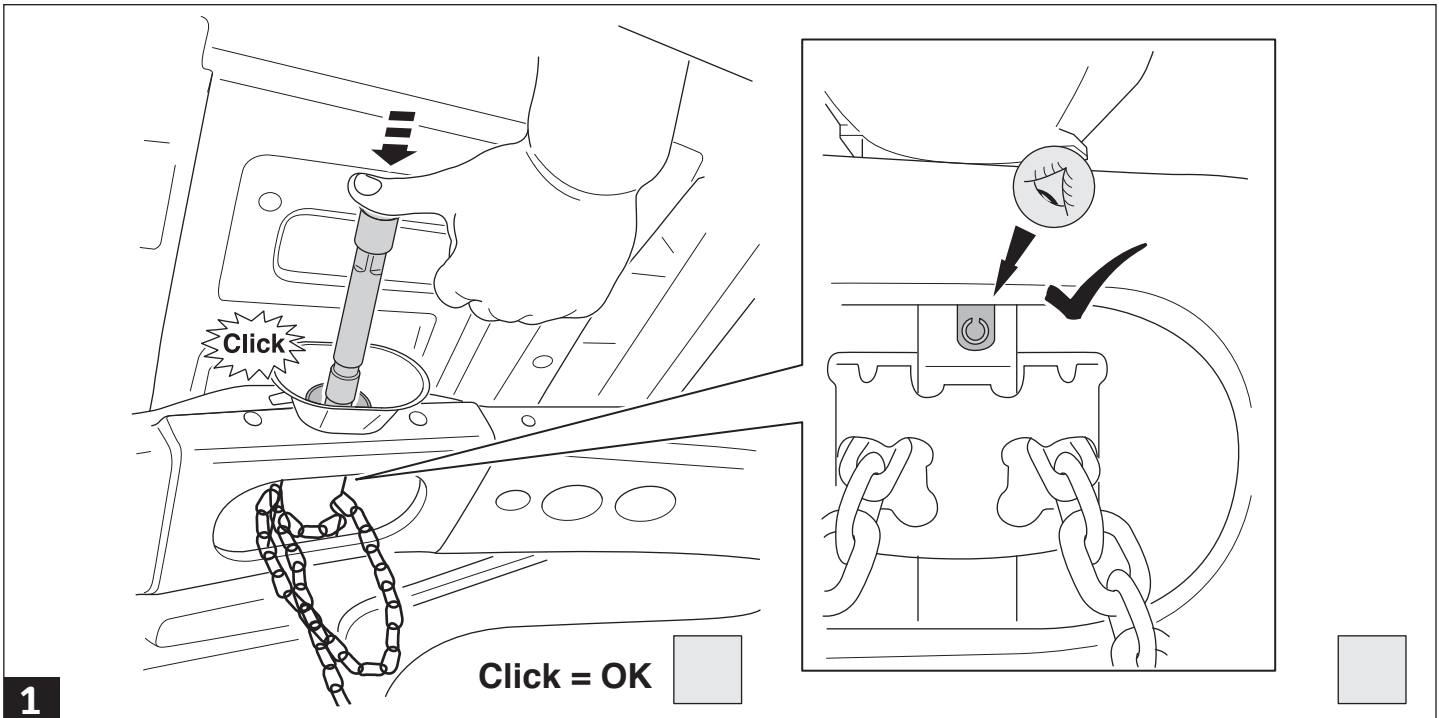
VIN n°

□ □ □ □ □ □ □ □ □ □ □ □ □ □ □ □

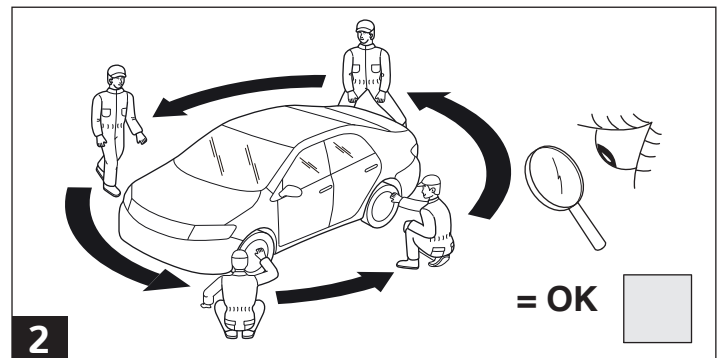
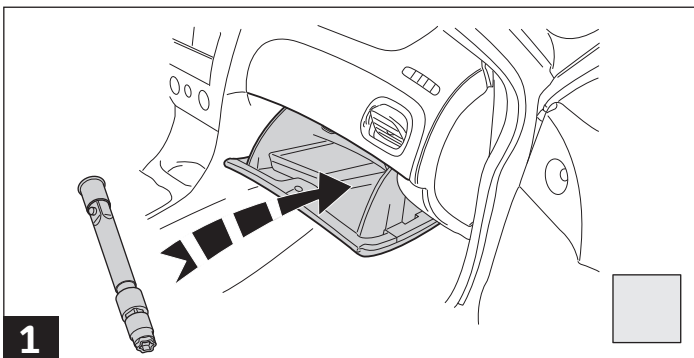
## BEFORE INSTALLATION



## DURING INSTALLATION



## AFTER INSTALLATION



**Installation Date:**  
... / ... / ...

**Technician Name & Signature:**

**Stamp:**