



**TOYOTA**

ALWAYS A  
BETTER WAY

# Hilux - Extra Cab

## Side mouldings

Installation instructions

Model year: As from 2015/04

Vehicle code: GUN1\*\*\*-C\*\*\*HW  
GUN1\*\*\*-C\*\*\*XW\*

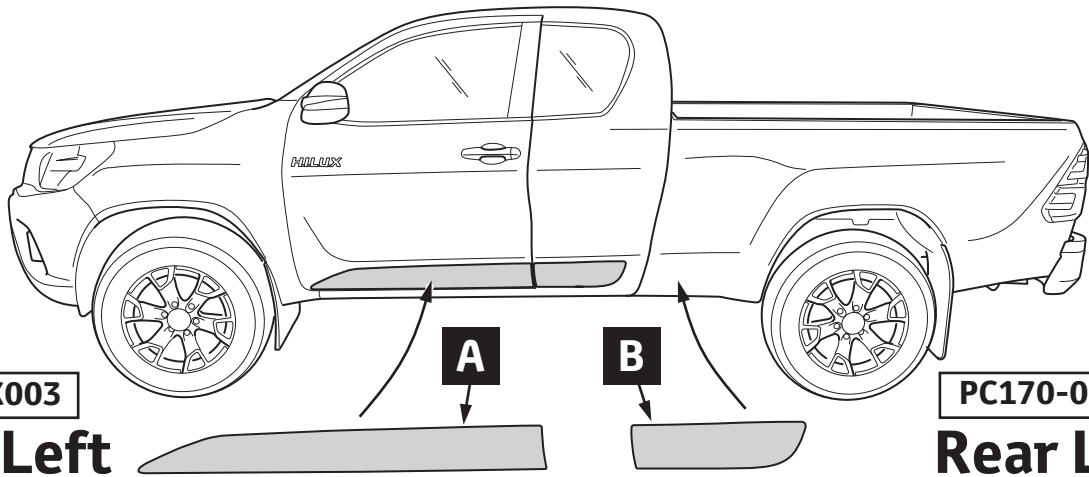
Part number: PC170-0K001 Side mouldings Kit  
PZ415-00000-00 Adhesion promoter (4x)

Manual reference number: AIM 003 815 - 3

# Revision Record

Rev. No.	Date	Page	Picture	Update	New	Deleted steps
1	07.05.18	1-8, 17	1, 4-8, 10-13	X		
1	07.05.18	3, 4, 8	2, 3, 14		X	
Rev. No.	Date	Page	Step	Remarks		
2	11.01.19	1	-	Adhesion promoter added to page		
2	11.01.19	17	C/S	Check method updated		
3	07.04.20	1, 17		Update		
3	07.04.20	3, 4, 6, 7, 8	2, 3, 8, 12, 13	Sequence numbering updated		

## PC170-0K001

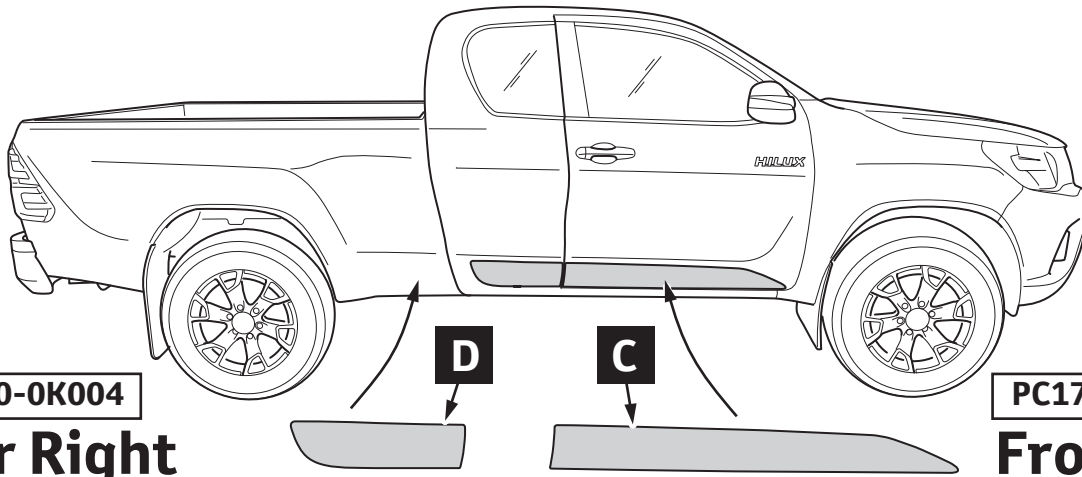


**PC170-0K003**

**PC170-0K005**

**Front Left**

**Rear Left**



**PC170-0K004**

**PC170-0K002**

**Rear Right**

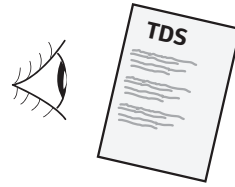
**Front Right**

					<b>PZ415-00000-00</b>			
					<b>adhesion promoter</b>			<b>CLEANER DEGREASER</b>
					<b>(4x)</b>			<b>AIM 003-516-*</b>

**INFO**

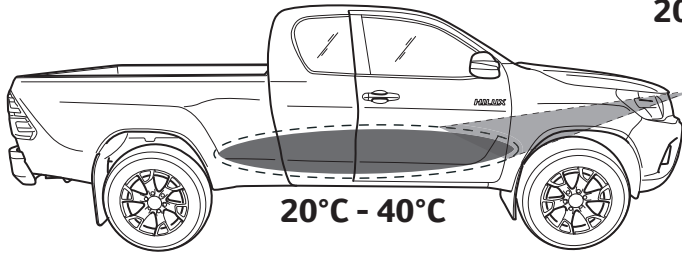


**Material Safety Data Sheet**

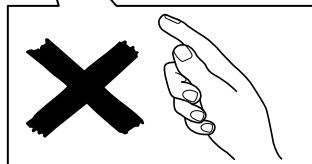
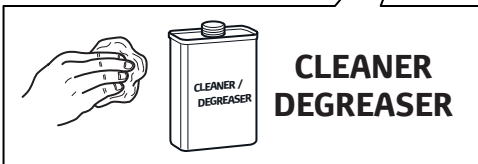
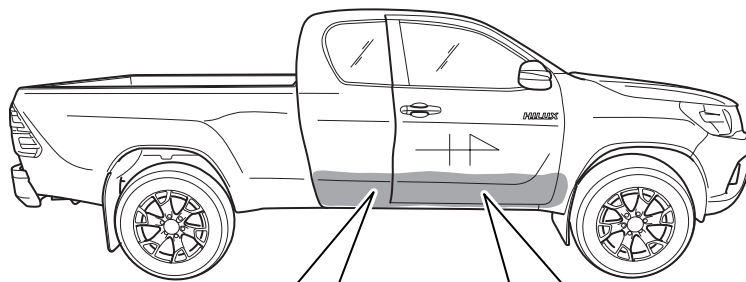
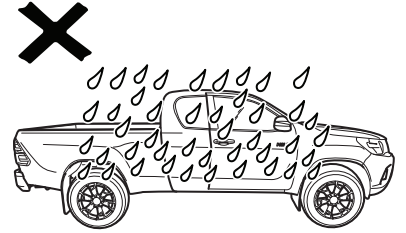
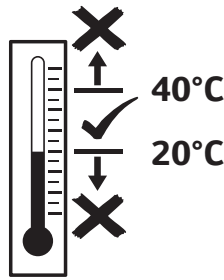
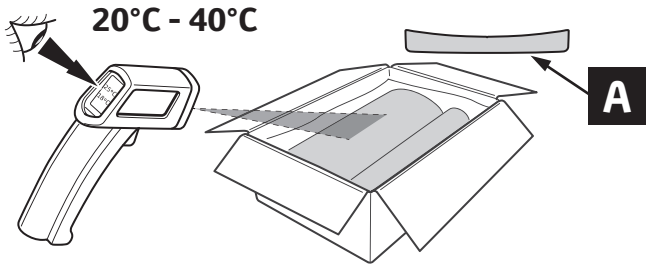
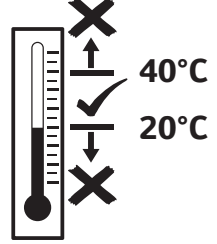
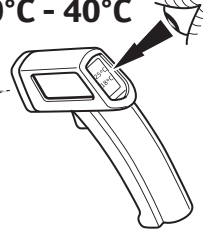


**Technical Data Sheet**

3

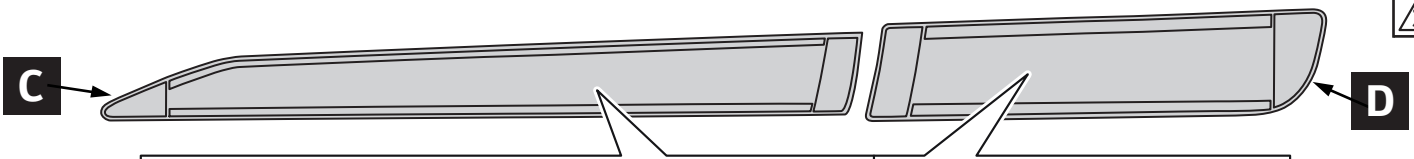


20°C - 40°C



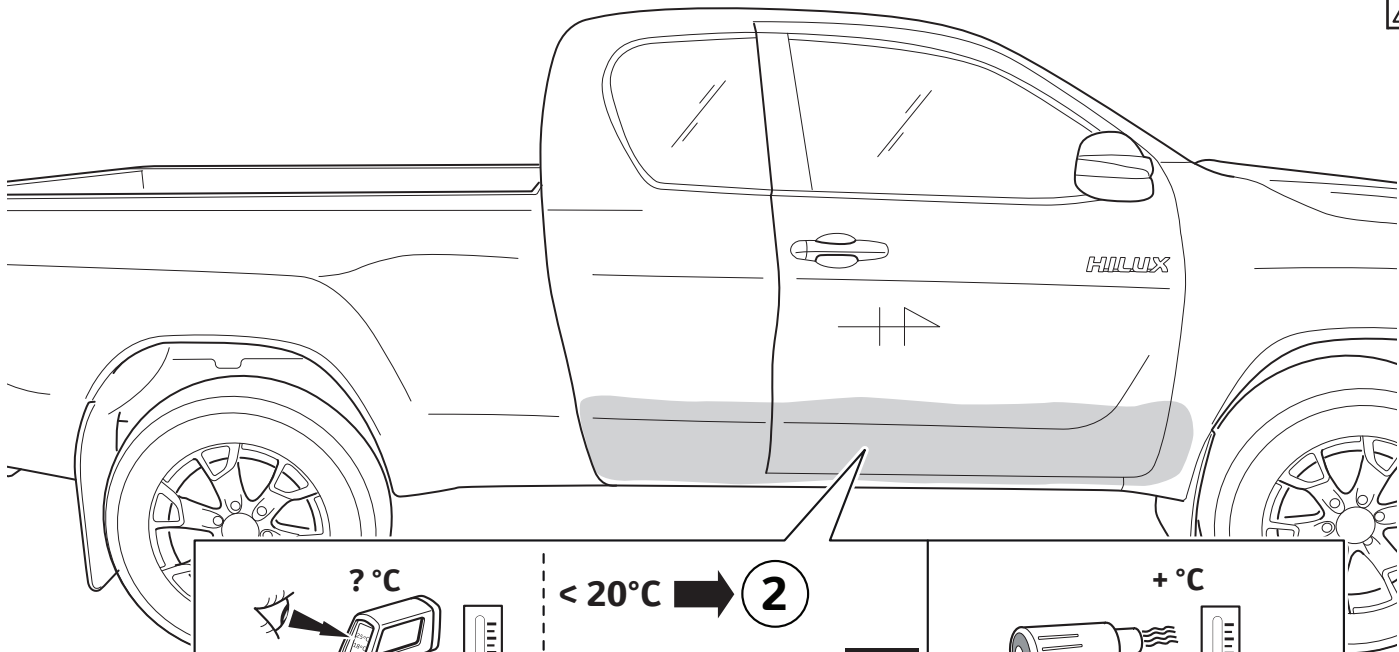
1

3



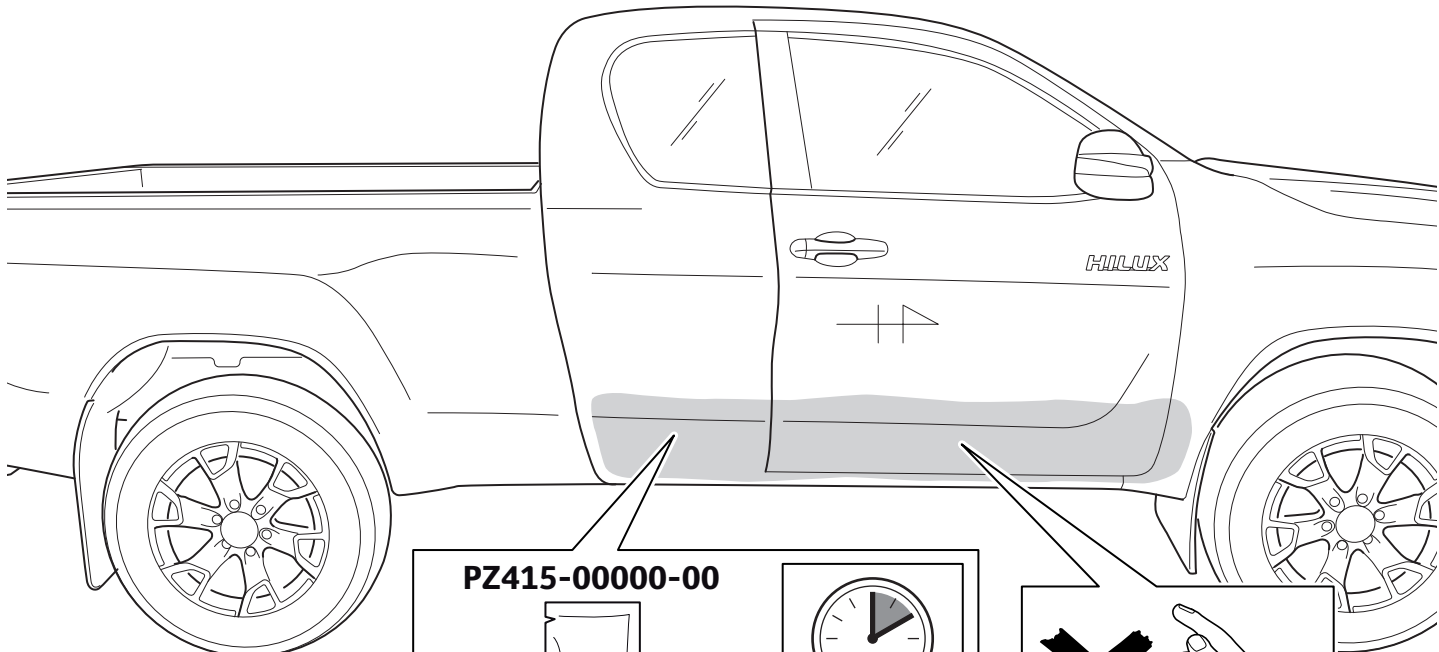
<p>1</p>	<p>&lt; 20°C → 2</p> <p>20°C &lt; 40°C → 3</p>	<p>2</p>
<p>3</p>	<p>20°C &lt; 40°C → 3</p>	<p><b>INFO</b></p> <p>2 → 12</p>

2



<p>1</p> <p>? °C</p>	<p>&lt; 20°C → 2</p> <p>20°C &lt; 40°C → 4</p>	<p>2</p> <p>+ °C</p>
<p>3</p> <p>? °C</p>	<p>20°C &lt; 40°C → 4</p>	<p><b>INFO</b></p>

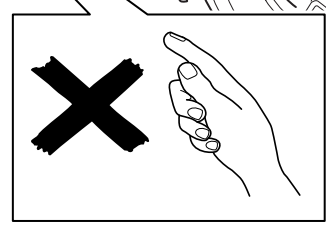
3



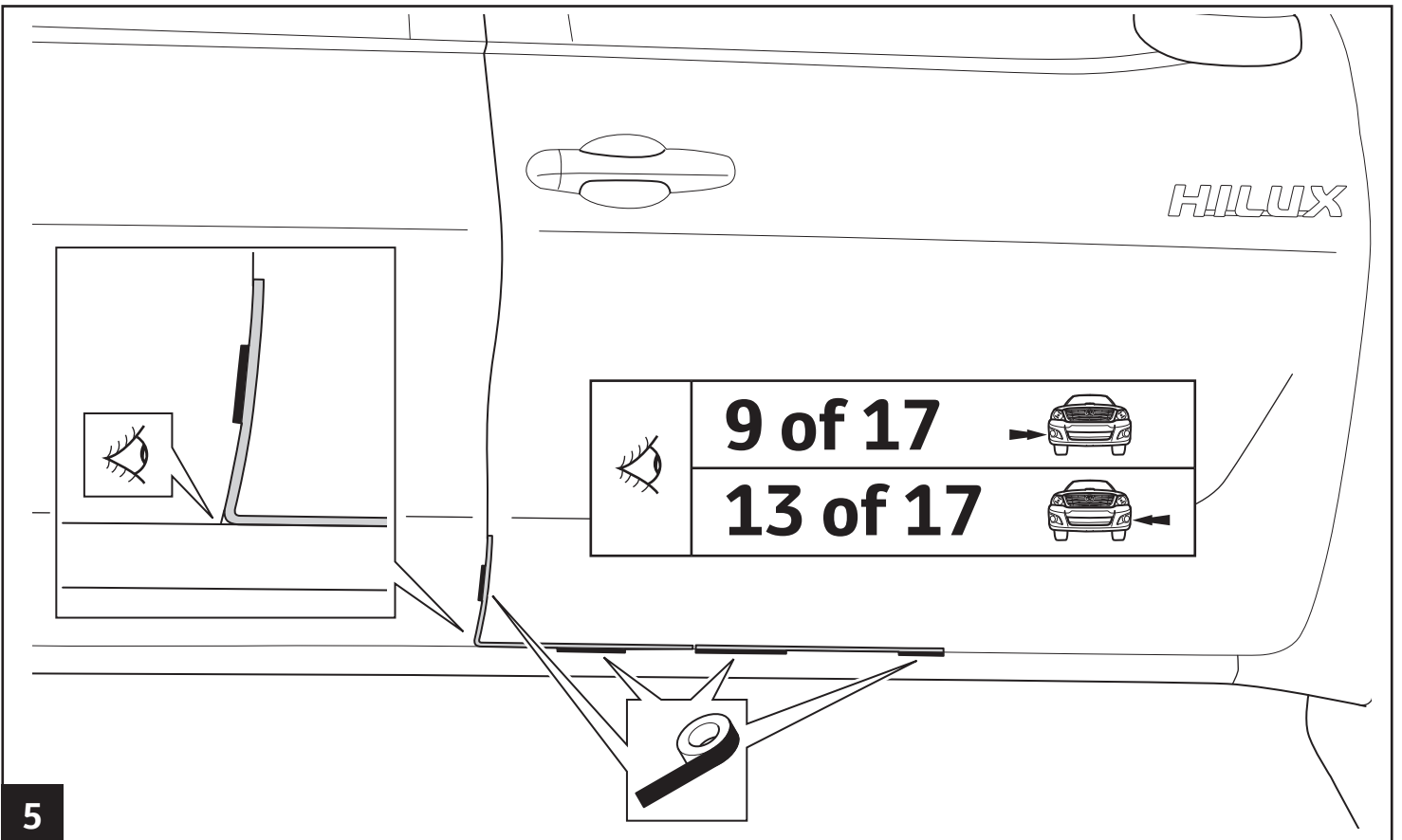
**PZ415-00000-00**

**3M adhesion promoter  
4298 UV**

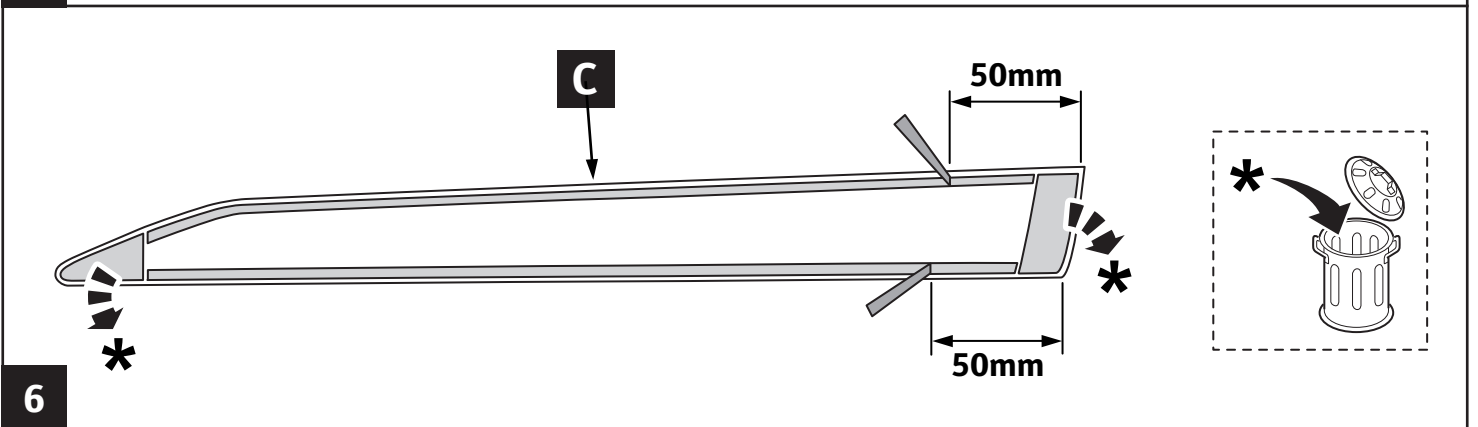
**>45 secs.  
< 1 hour**



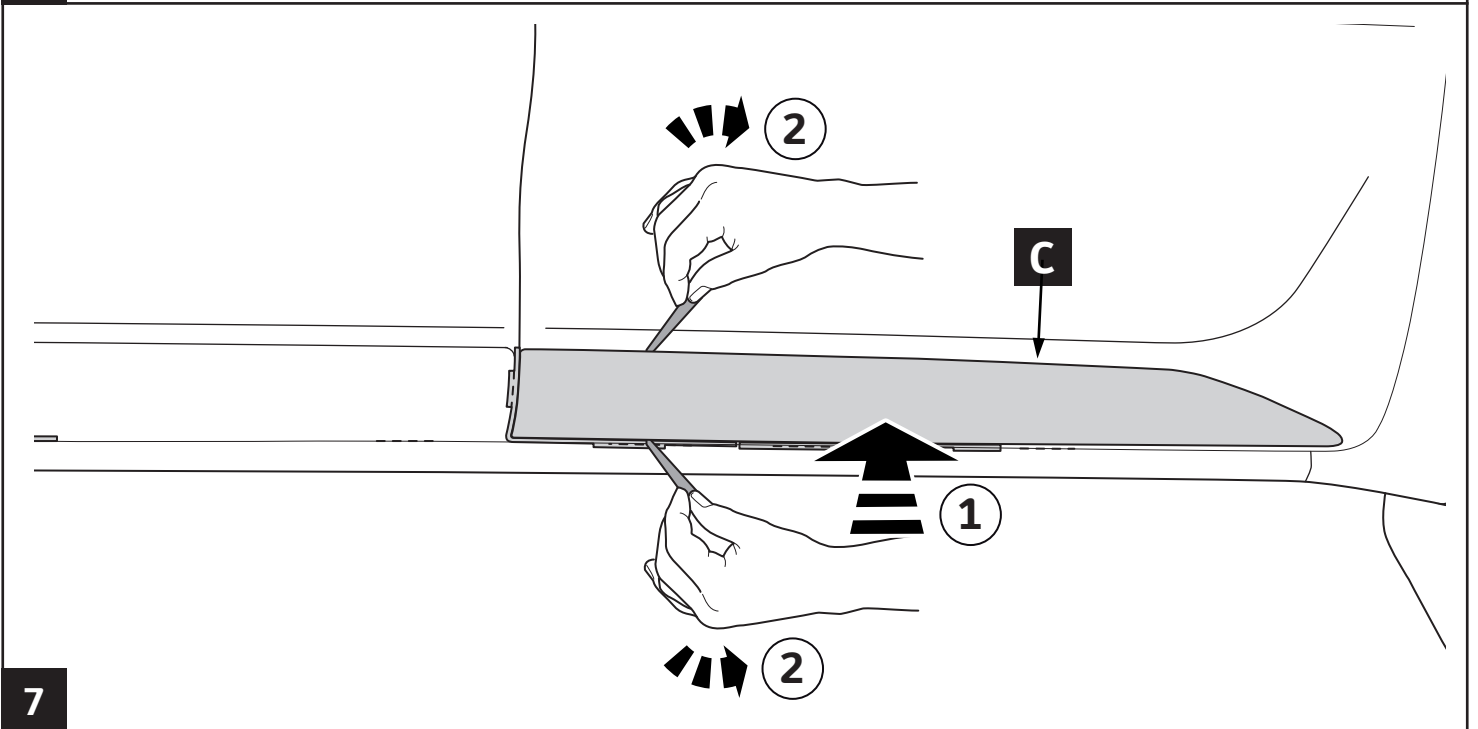
4



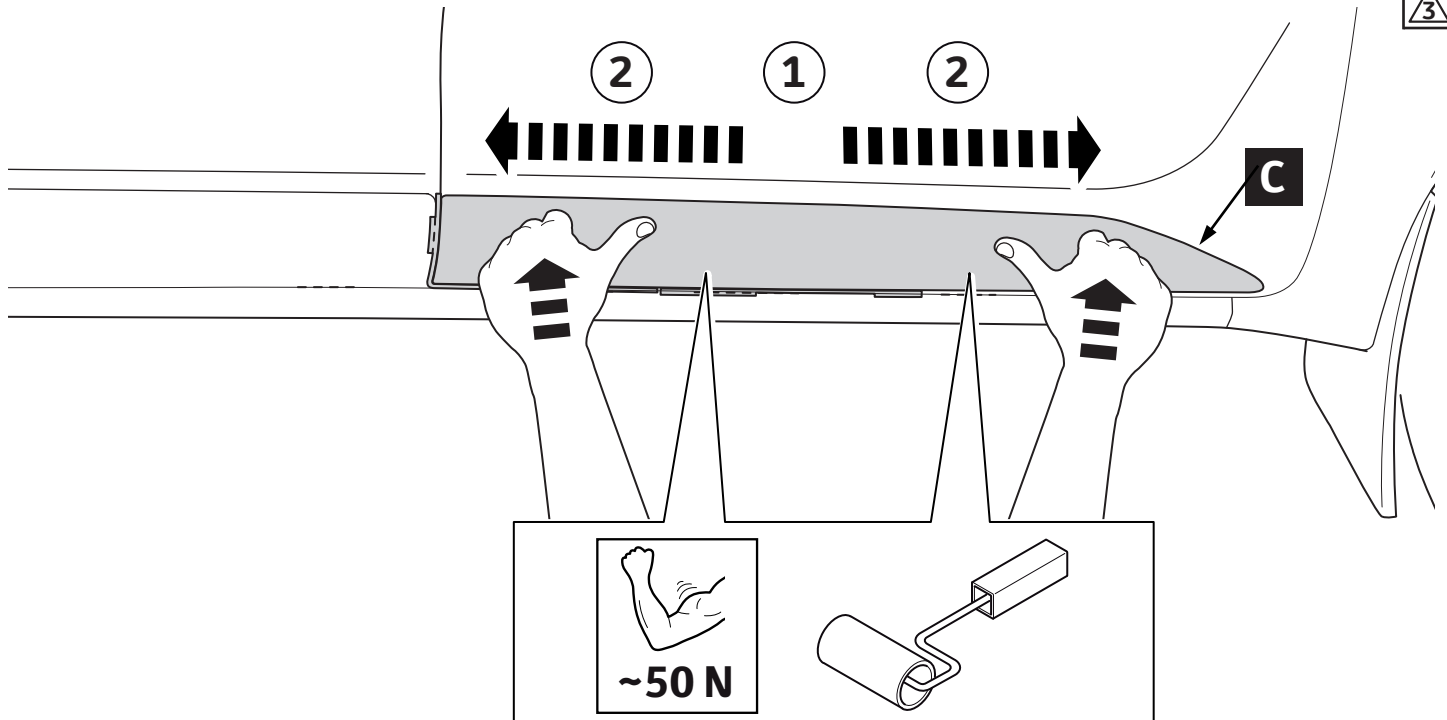
**5**



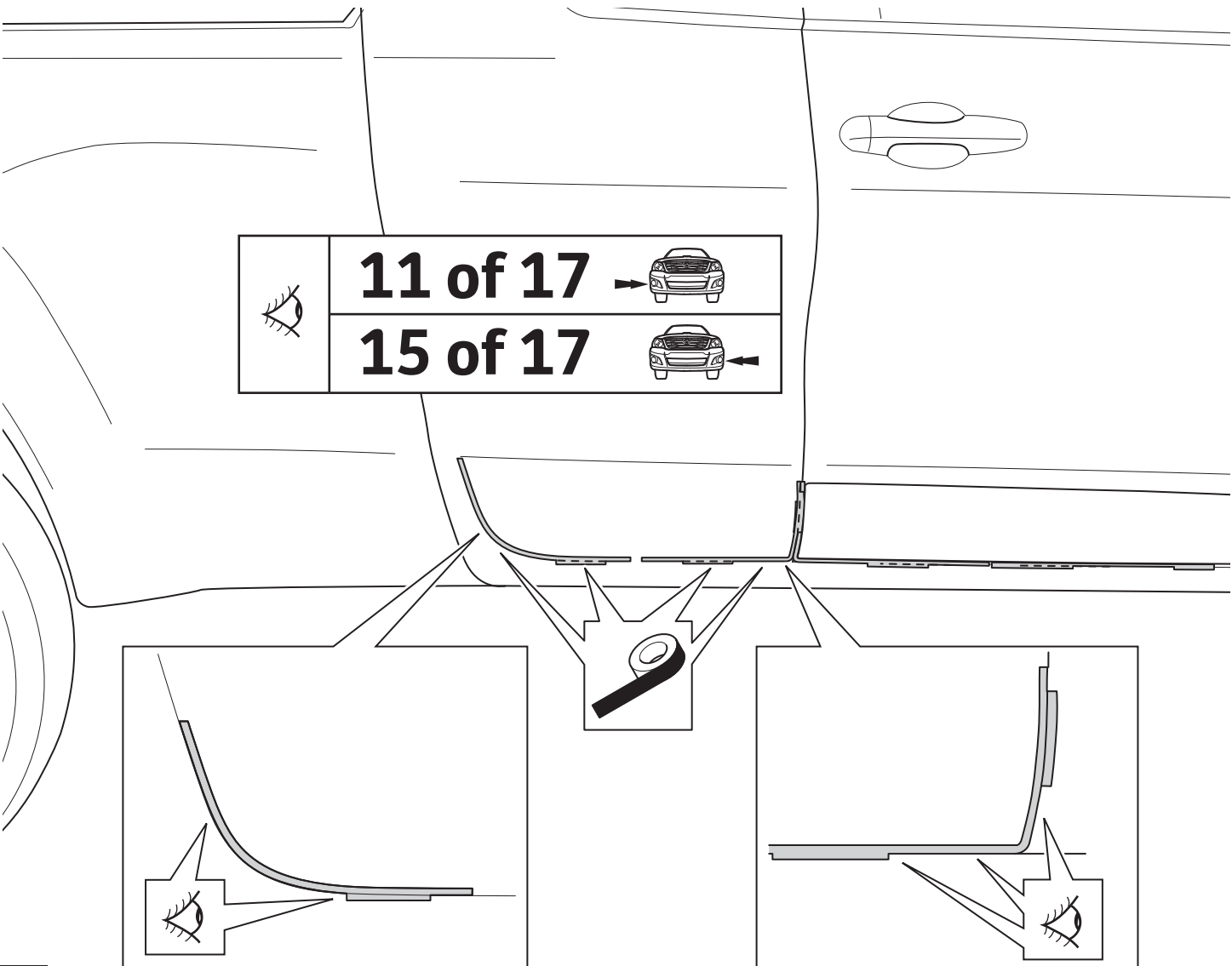
**6**



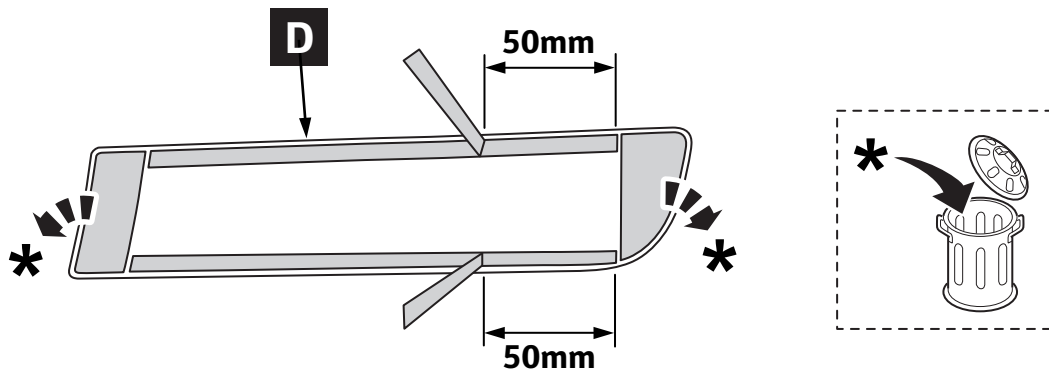
**7**



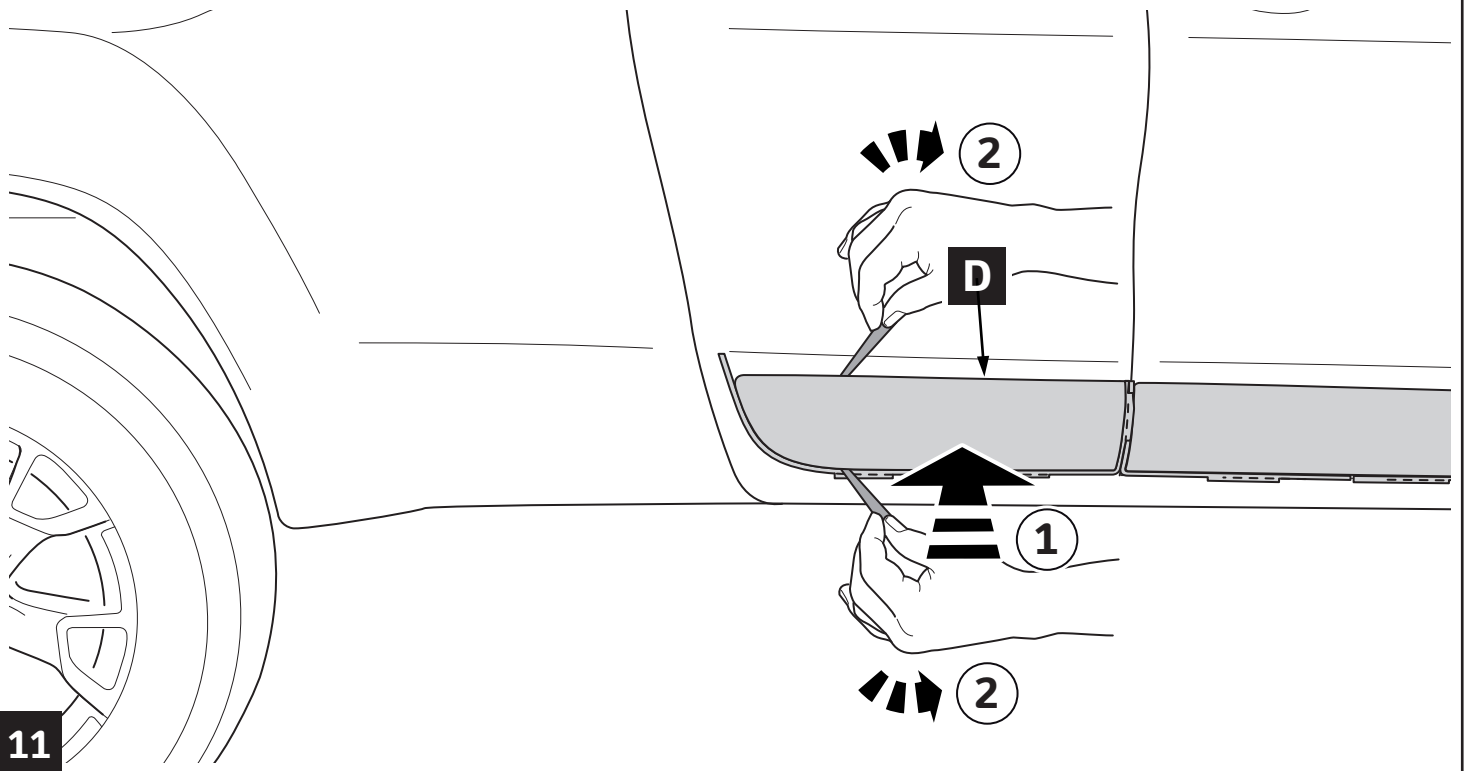
8



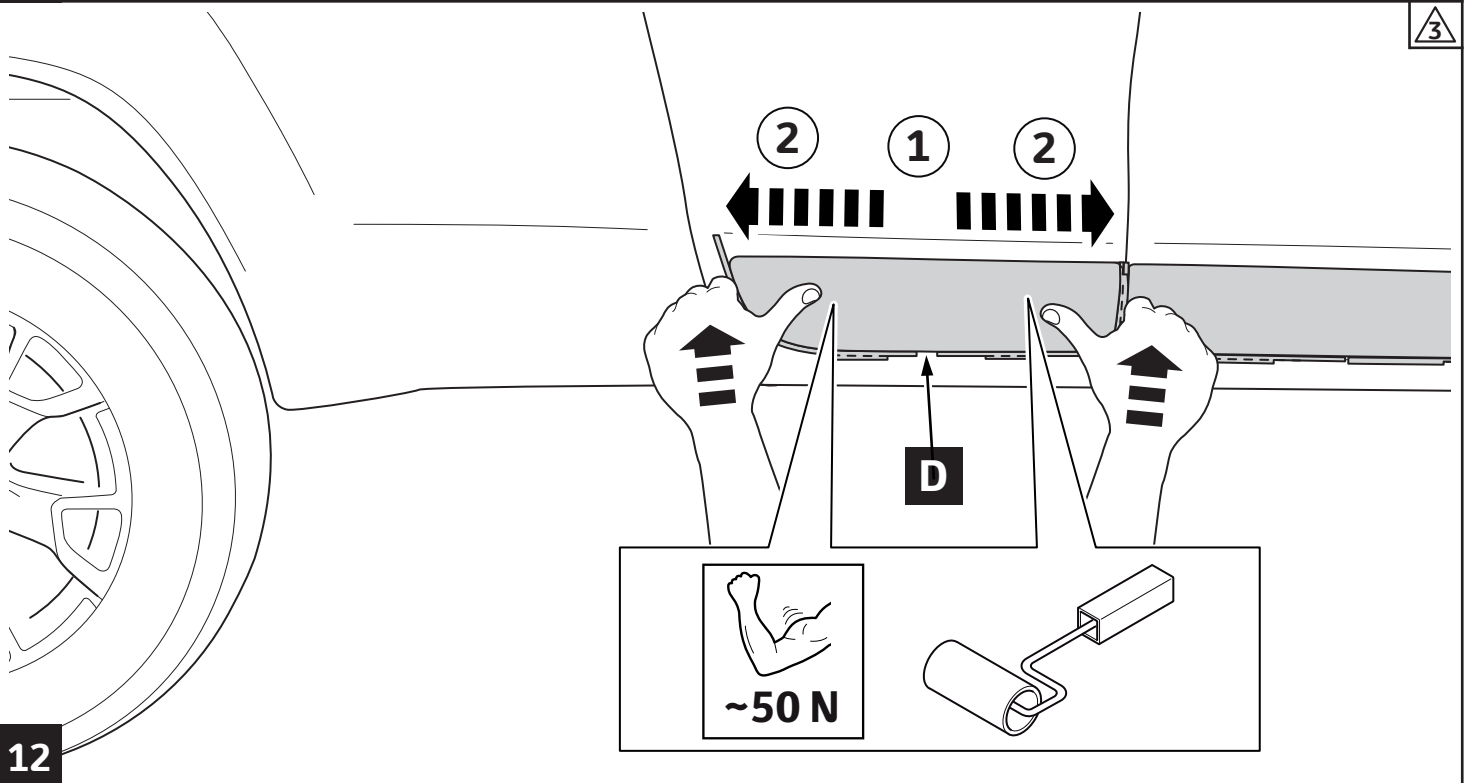
9



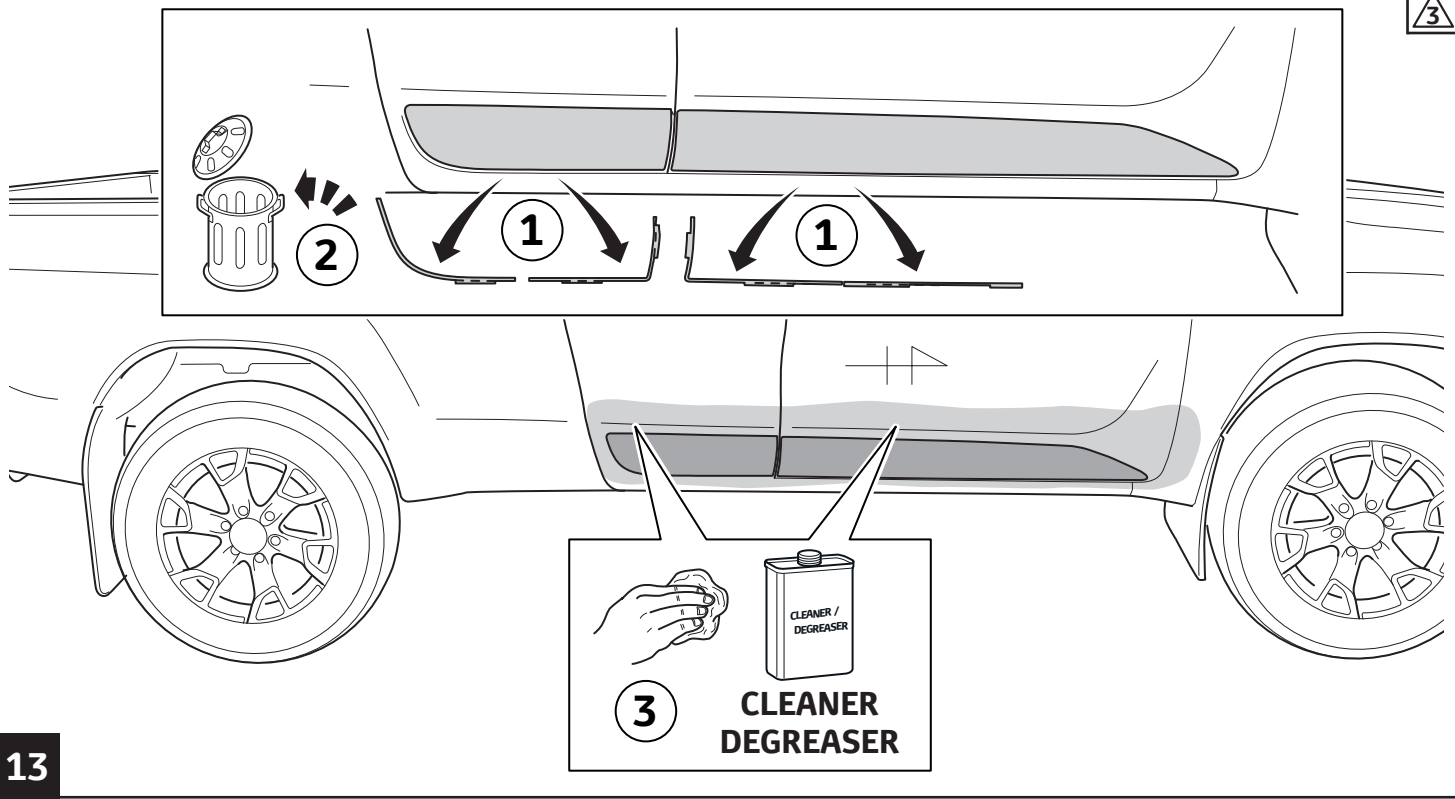
10



11



12



13

Fig.1 - Fig.13

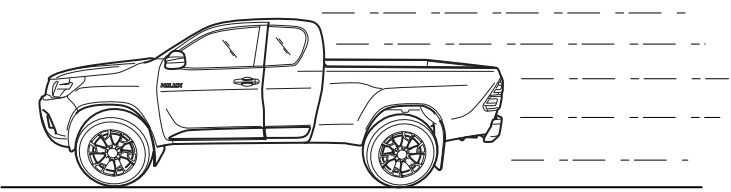
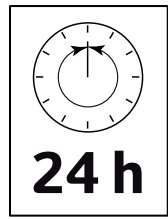
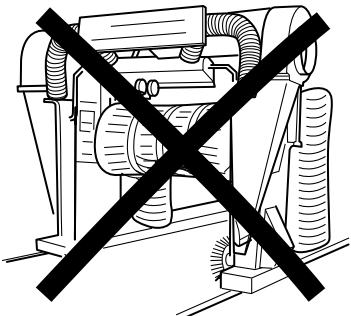
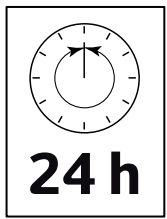
Fig.1 - Fig.13

**RHS = LHS**

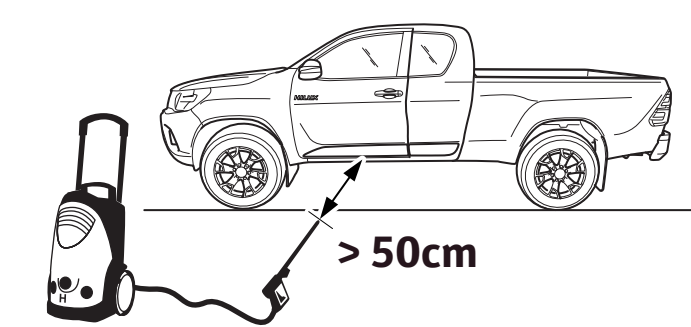
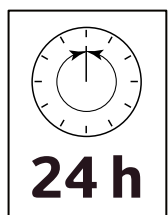
**C D      A B**

14

**INFO**

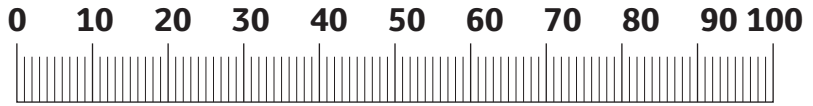
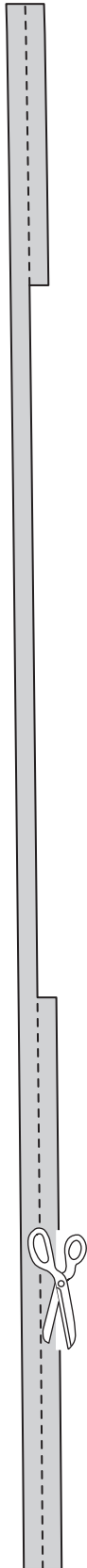
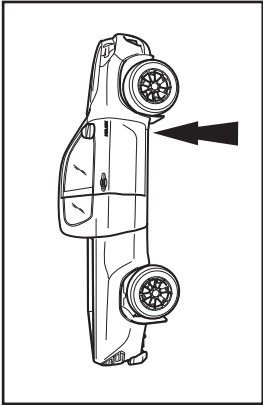



**Max. 90 Km/h**

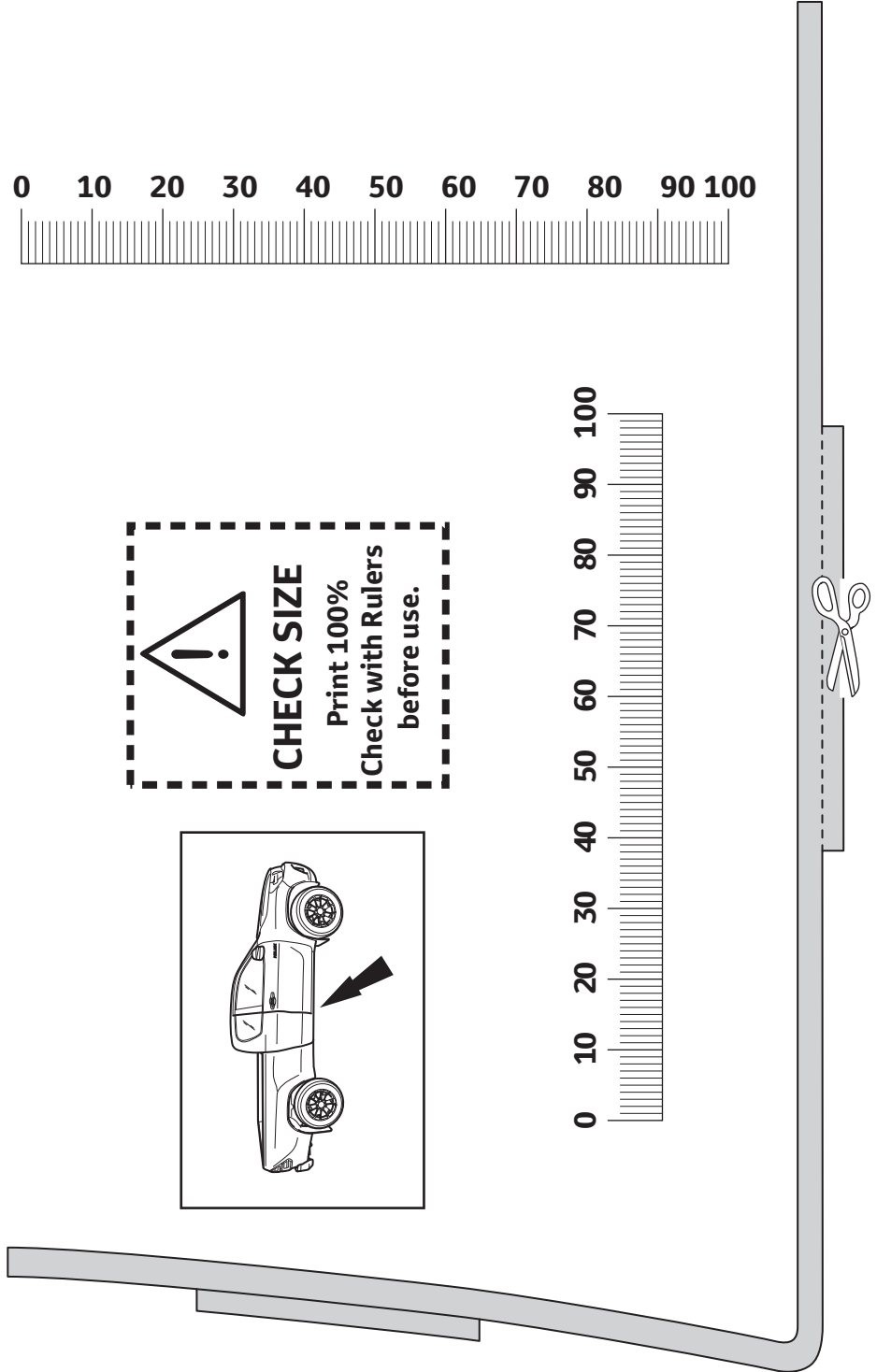
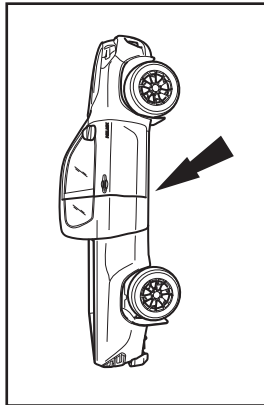


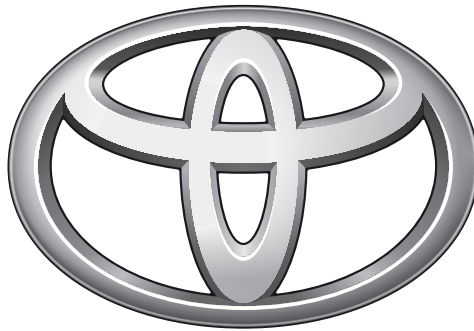


**Hilux As from 2015/04  
GUN1\*\*\*-C\*\*\*HW**



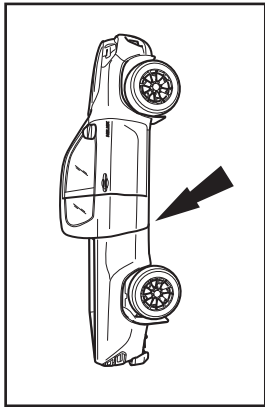
  
**CHECK SIZE**  
Print 100%  
Check with Rulers  
before use.




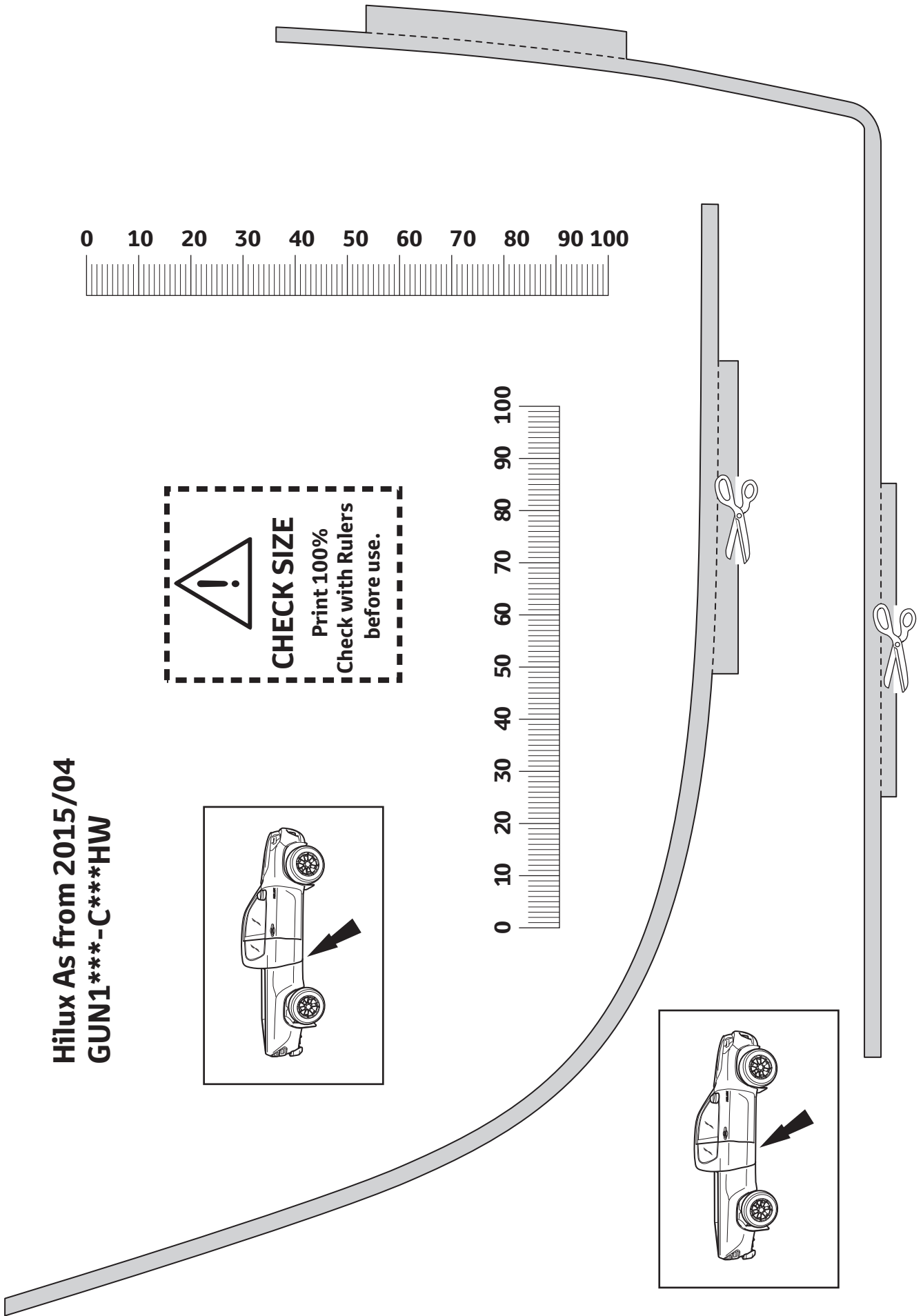
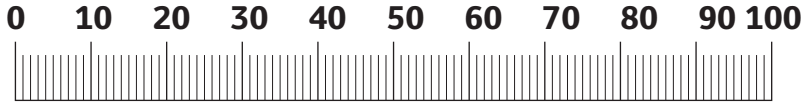


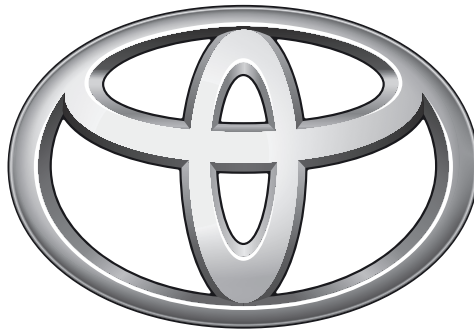
**TOYOTA**

**Hilux As from 2015/04  
GUN1\*\*\*-C\*\*\*HW**



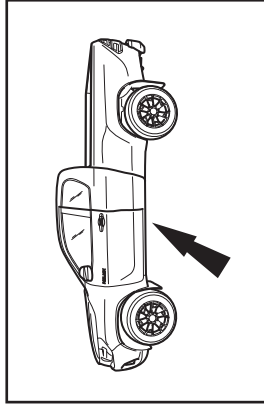
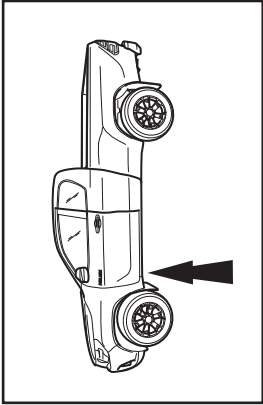
  
**CHECK SIZE**  
Print 100%  
Check with Rulers  
before use.




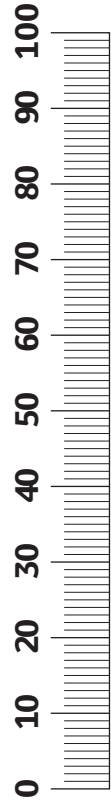
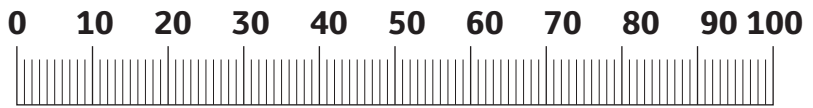


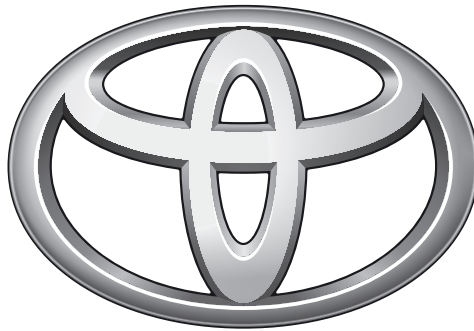
**TOYOTA**

**Hilux As from 2015/04  
GUN1\*\*\*-C\*\*\*HW**



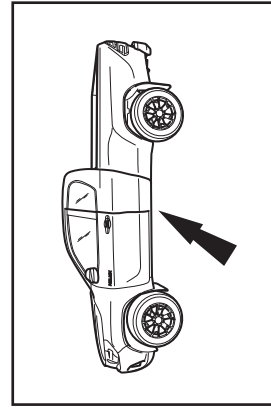
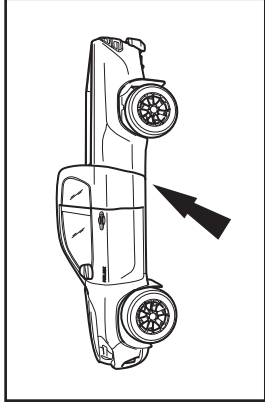
  
**CHECK SIZE**  
Print 100%  
Check with Rulers  
before use.




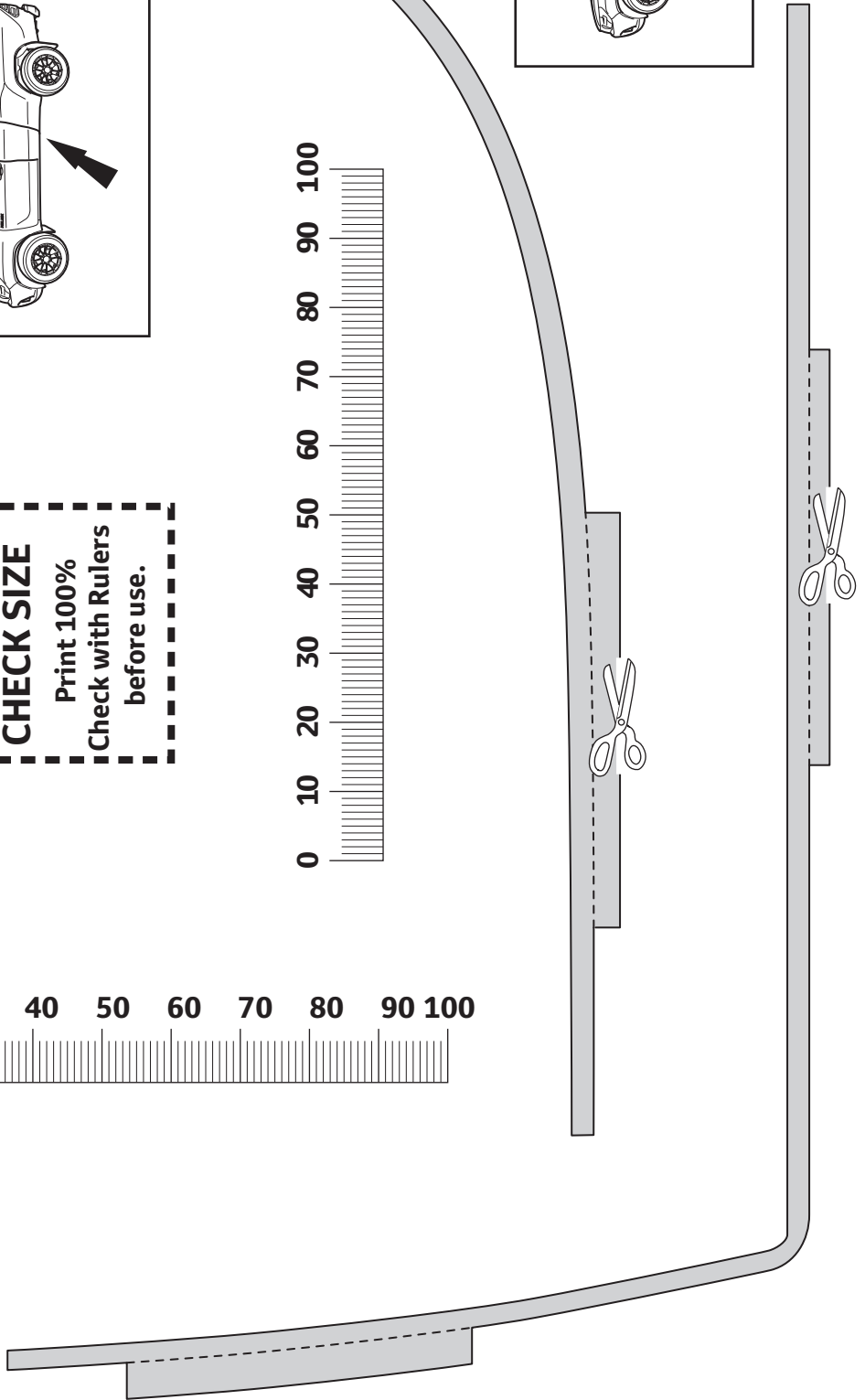
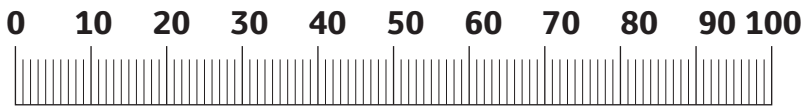


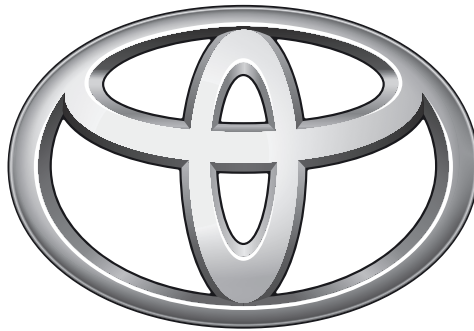
**TOYOTA**

**Hilux As from 2015/04  
GUN1\*\*\*-C\*\*\*HW**



  
**CHECK SIZE**  
Print 100%  
Check with Rulers  
before use.





**TOYOTA**



# CHECK SHEET Page 1 of 1



TOYOTA


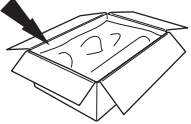
ALWAYS A BETTER WAY

Model / Year Hilux  
As from 2015/04

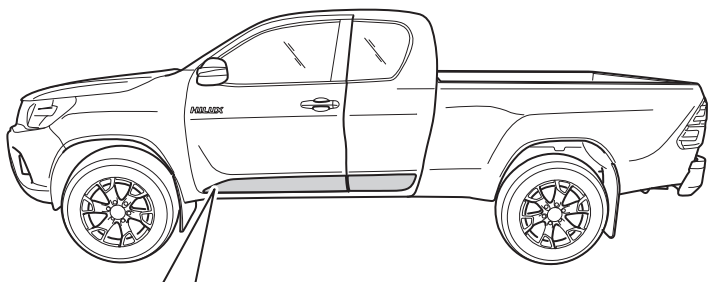
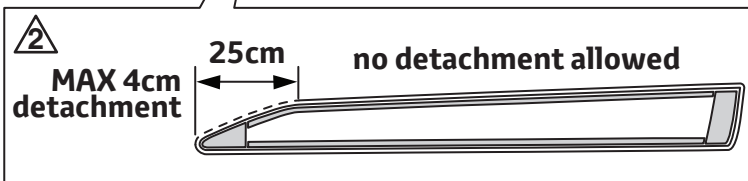
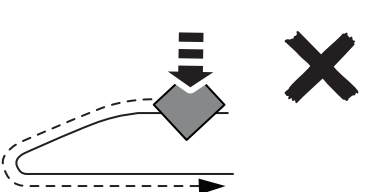
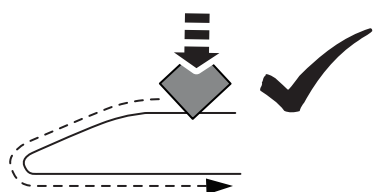
Side mouldings

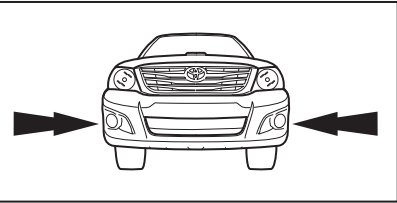
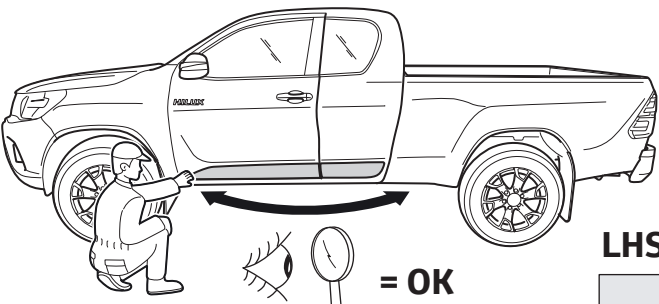

VIN n°

## DURING INSTALLATION

**1**  **P/N = OK** 

## AFTER INSTALLATION

**1**   
  
 

**2**    
 **= OK** **LHS**  **RHS**

Installation Date:  
... / ... / ...

Technician Name & Signature:

Stamp: