



**TOYOTA**

ALWAYS A  
BETTER WAY

# GT86 (LHD)

Touch 2 with Go

Installation instructions

Model year: 2016/08

Vehicle code: ZN6-EL\*\*

Part number: PZ490-00334-\*0  
PZ490-00335-\*0  
PZ490-00338-00  
PZ473-10330-60

Touch 2 with Go  
Touch 2 with Go  
GPS Antenna  
Brackets

West-EU  
East-EU

Manual reference number: AIM 003 925 - 0

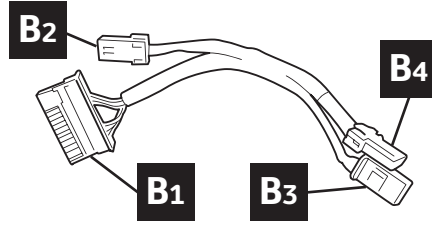
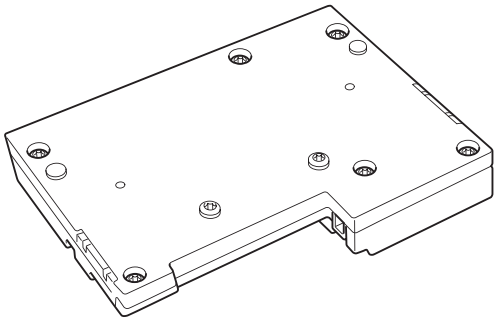
# Revision Record

Rev. No.	Date	Page	Picture	Update	New	Deleted steps

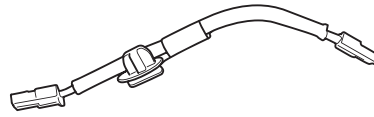
PZ490-00334-\*0  
PZ490-00335-\*0

Touch 2 with Go  
Touch 2 with Go

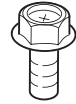
West-EU  
East-EU



**B** 86842-1201 1x



**C** 86705-02070 1x

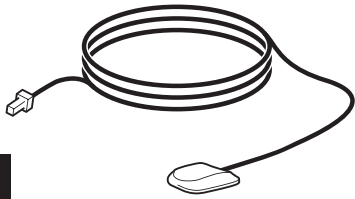


**D** 90153-W0001 6x

**A** 86840-\*\*\*\*

1x

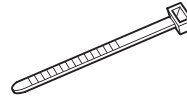
PZ490-00338-00



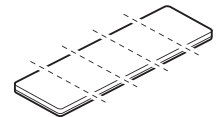
**E** 1x



**F** 1x

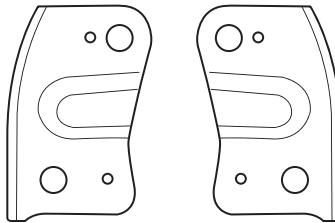


**G** 5x

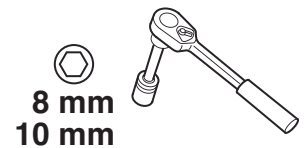
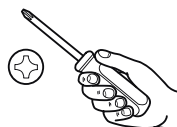
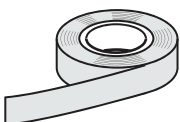


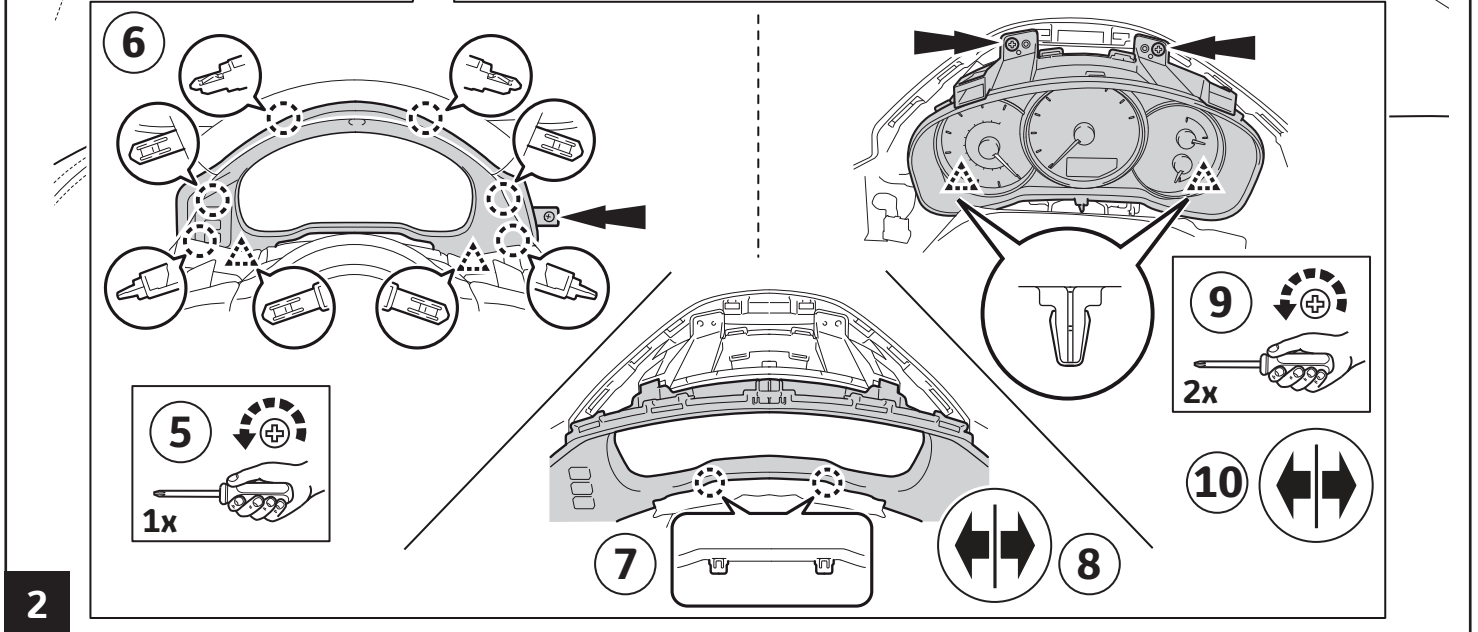
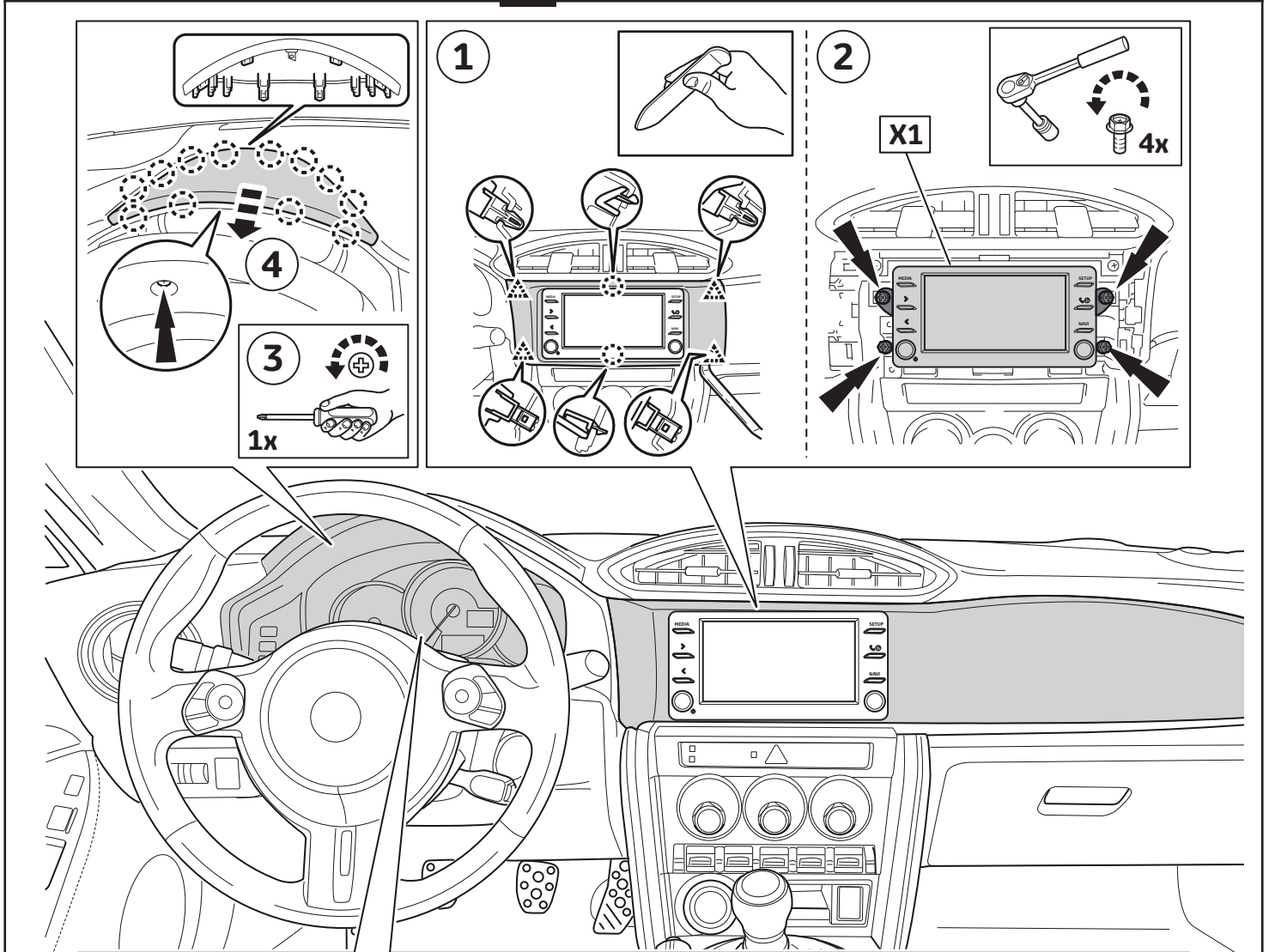
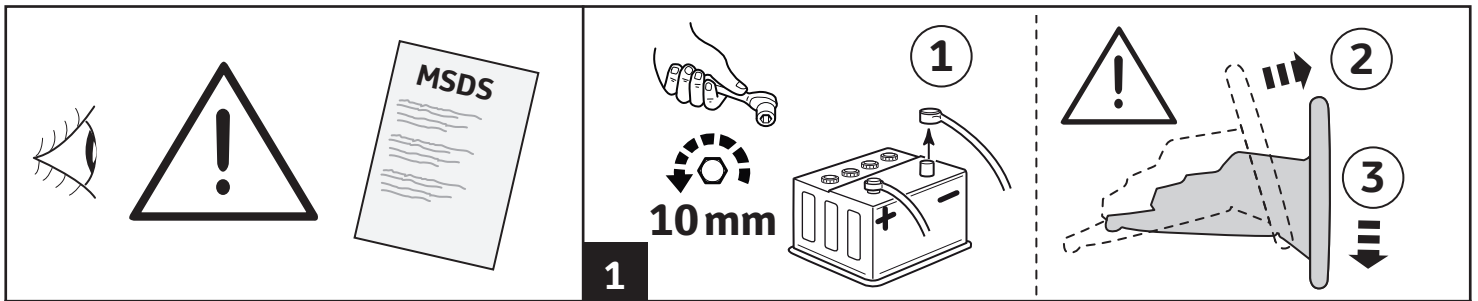
**H** FOAM PAD 1x

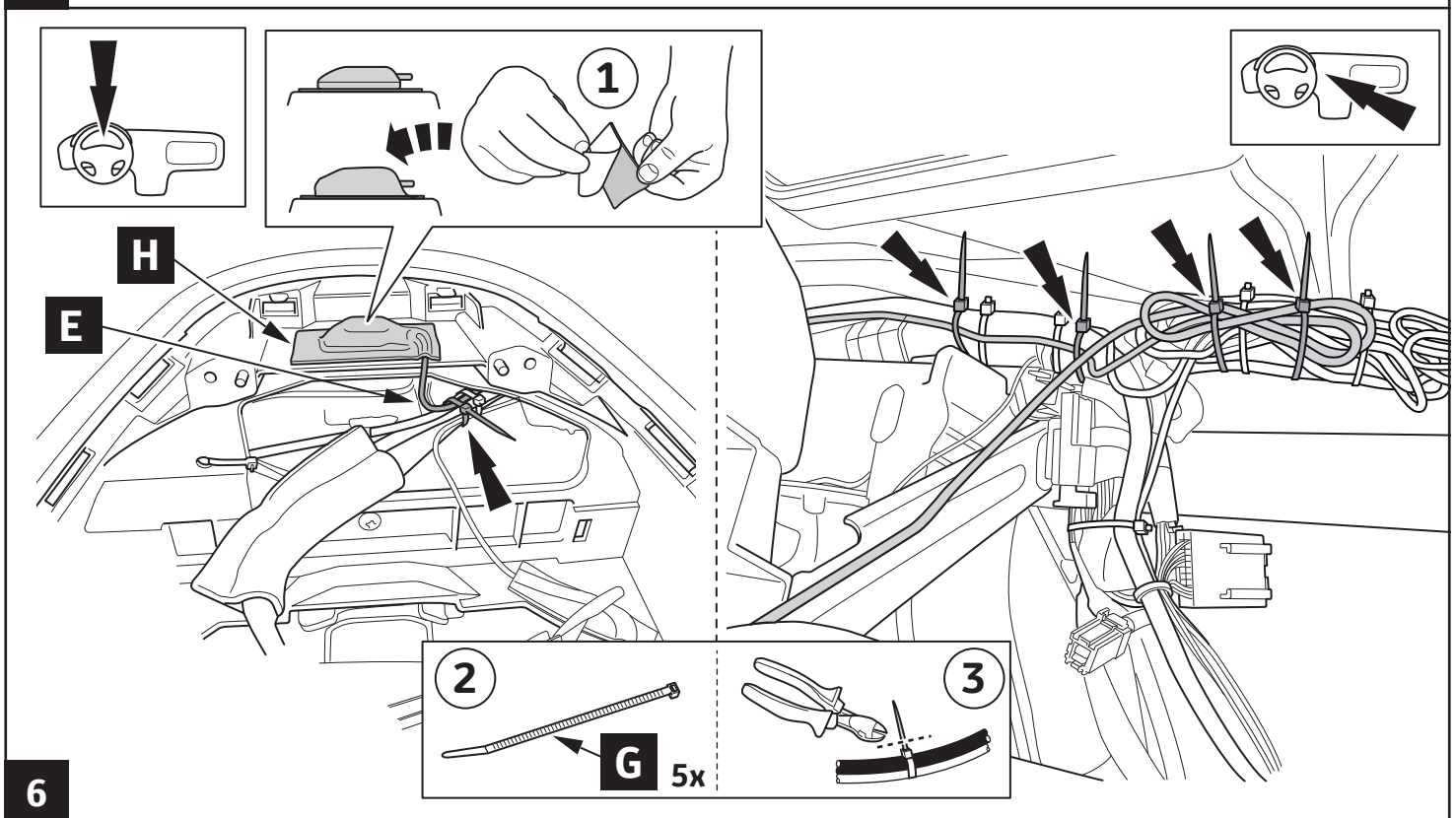
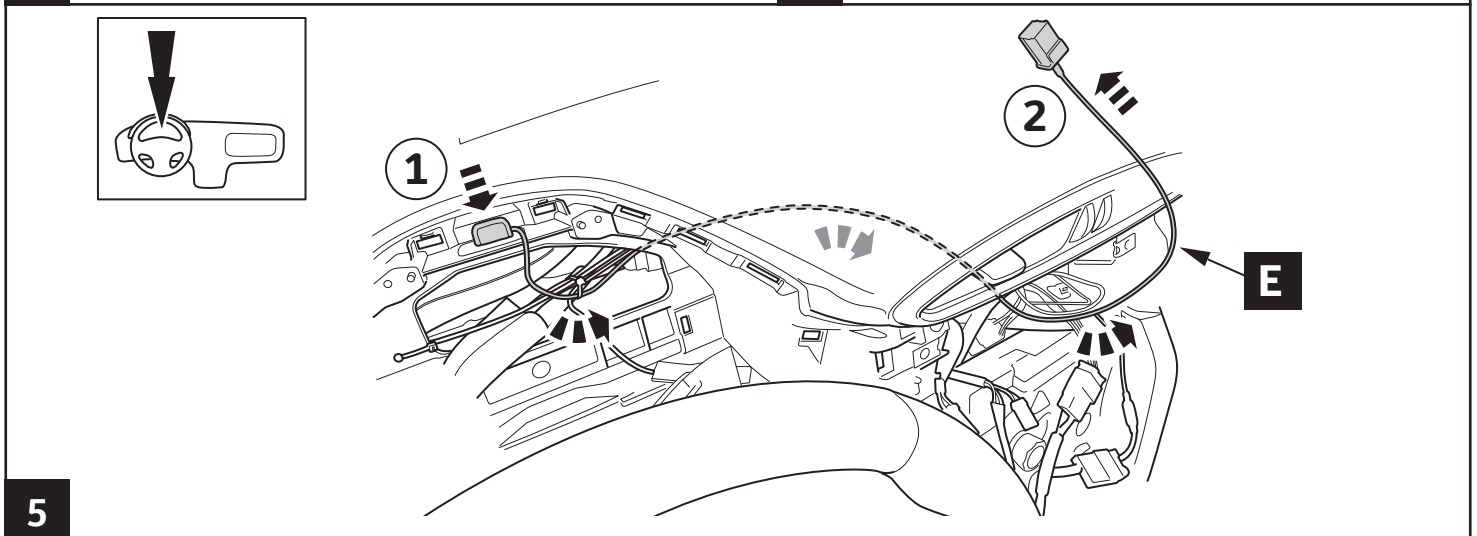
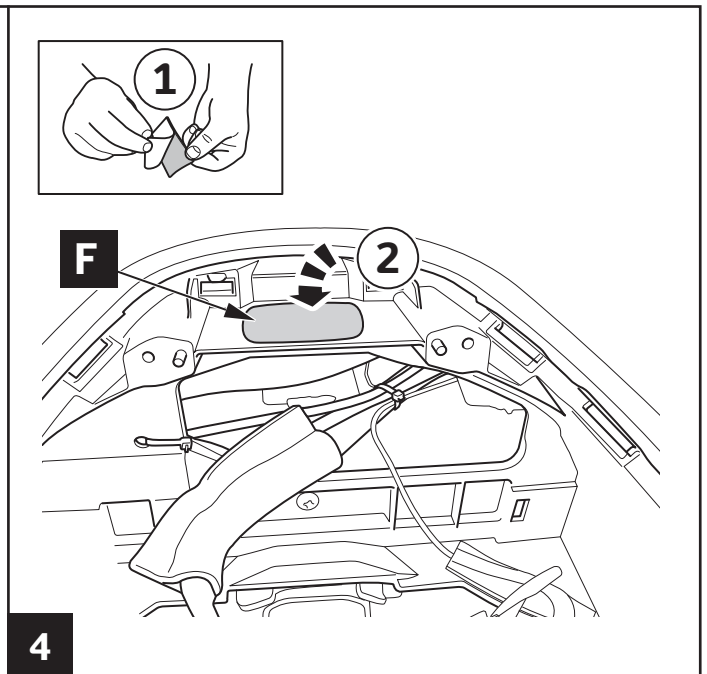
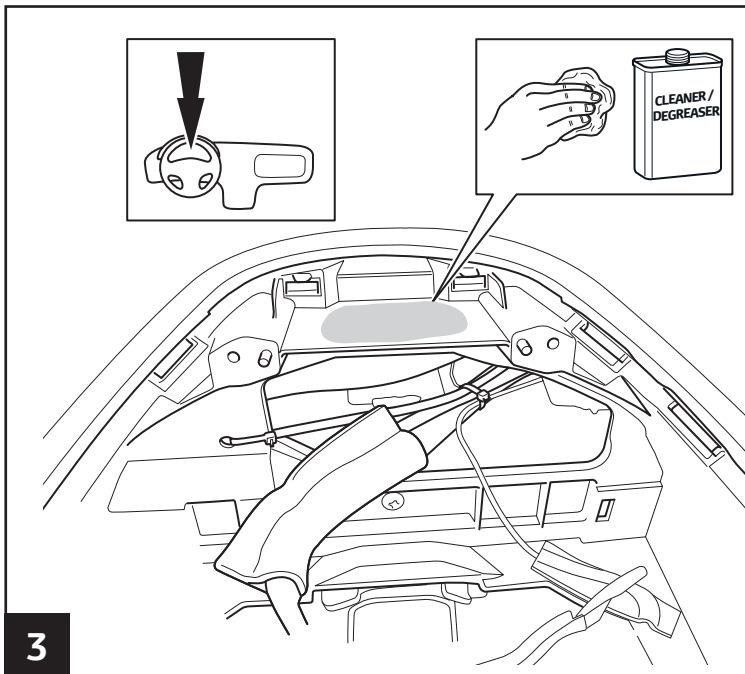
PZ473-10330-60



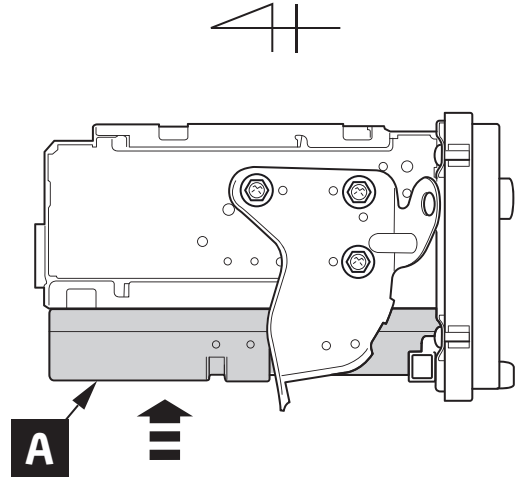
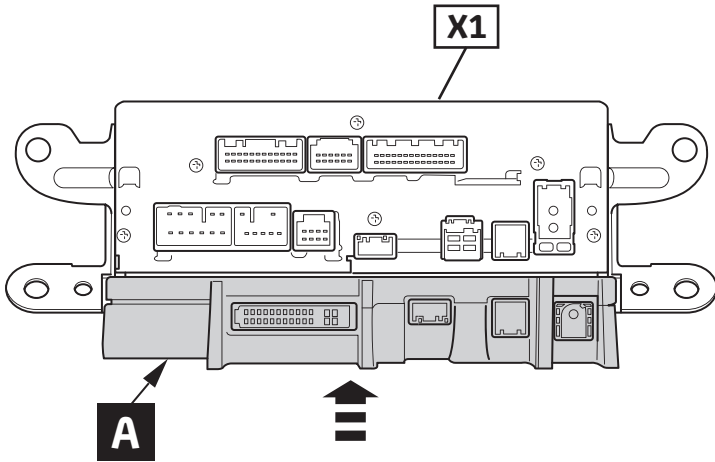
**J** 1x



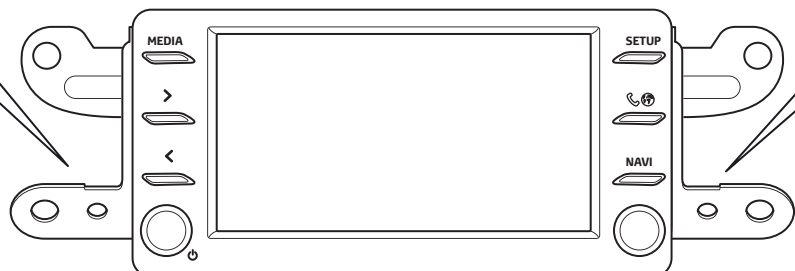
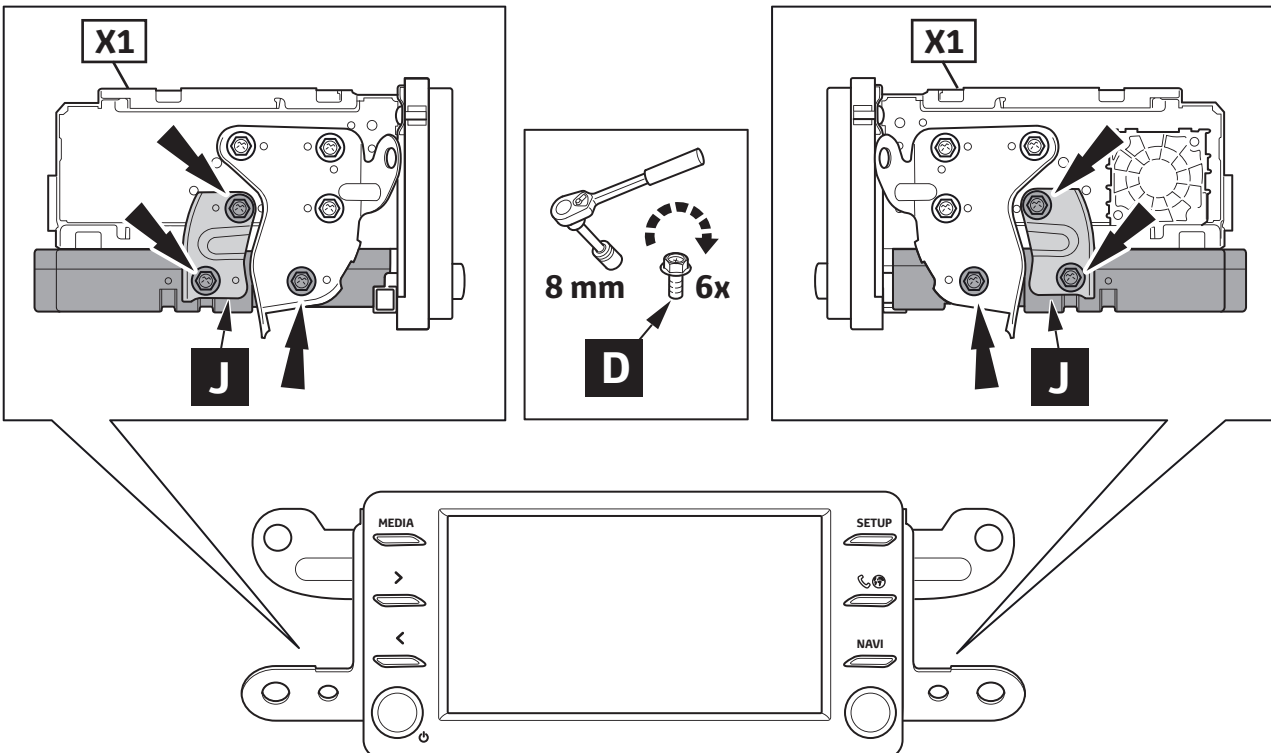


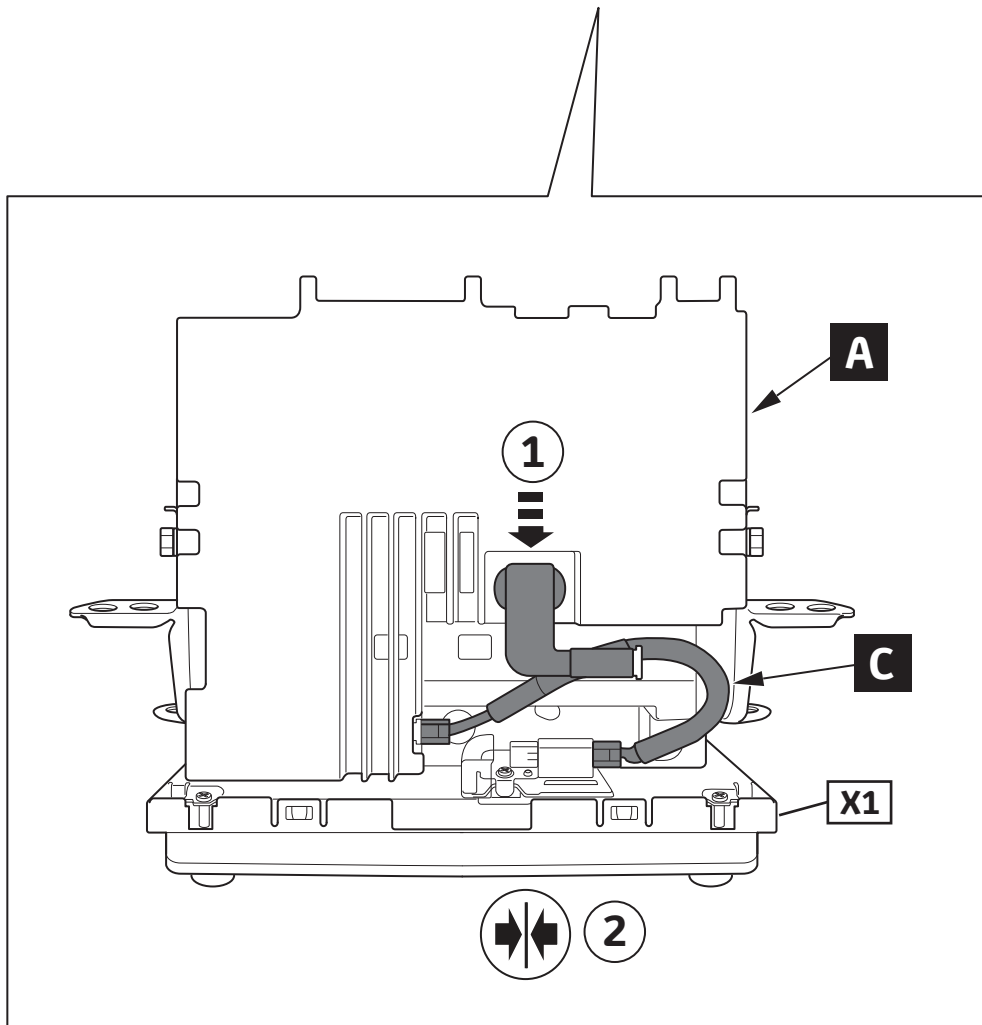
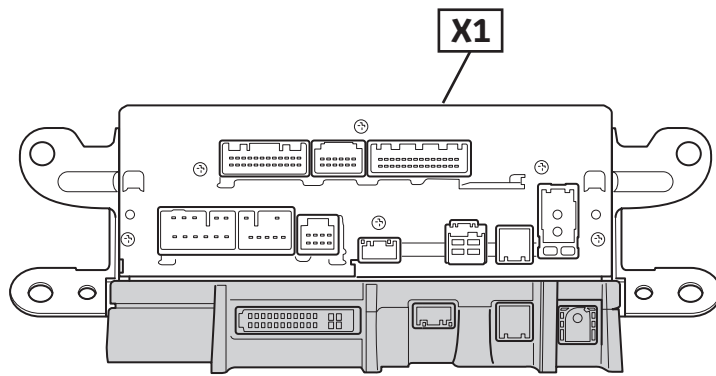


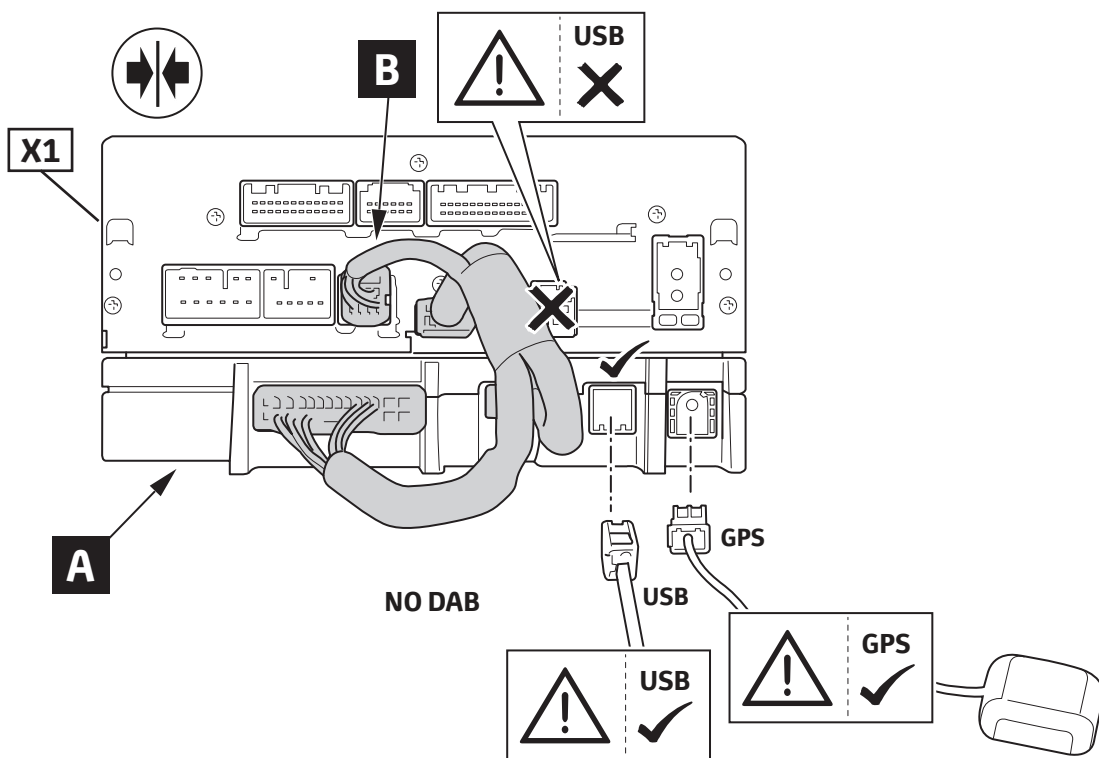
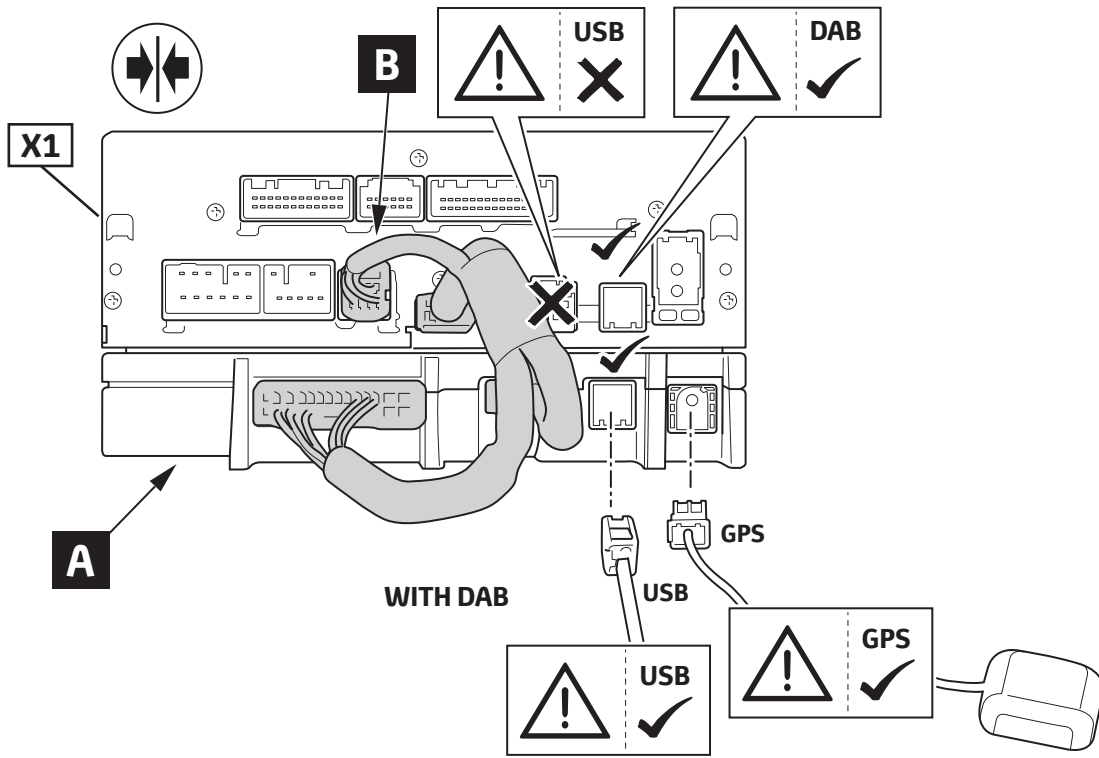
7



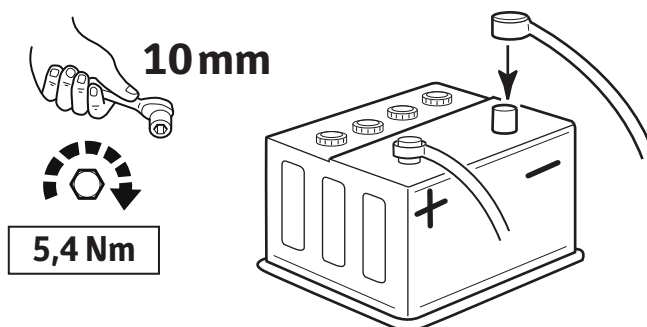
8







10



11



# CHECK SHEET



**TOYOTA**

**Model / Year** GT86 (LHD)  
2016/08

**Touch 2 with Go LHD**

**VIN n°**

ALWAYS A BETTER WAY

**P/N = OK**

**ENGINE START STOP**

**PUSH**

**6 Sec.**

**ON** → **OFF**

**=A =B**

**A**  **B**

**USB**



---

**AUX**

**R 1 3 5**

**OK**

**OK =**

**FM-AM**

**DTC OK**

**TechDoc 1 > Repair > Touch & Go Diagnostic Information**

**Function Check Setting > Vehicle Signal**

**PKB ON / OFF**

**Serial Number**

**5,4 Nm**

**GPS**

**DAB (Option)**



**OWNERS MANUAL**

**OK =**

**Installation Date:**  
... / ... / ...

**Technician Name & Signature:**

**Stamp:**