



TOYOTA

ALWAYS A
BETTER WAY

Hilux

Hand brake lever

Installation instructions

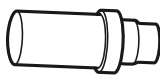
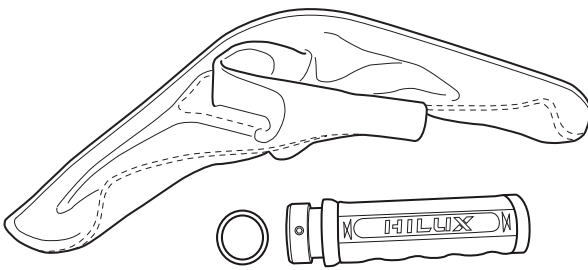


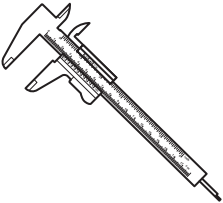

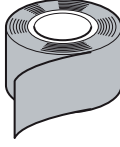
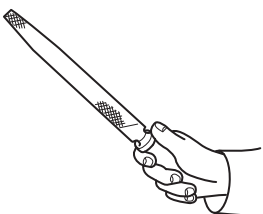

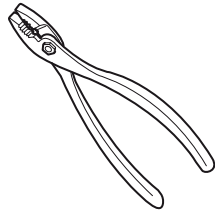


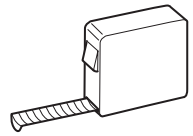
Model year:	As from 2015/04
Vehicle code:	GUN****-C***HW GUN****-D***HW GUN1***-****XW*
Part number:	PW466-0K002 (LHD) PW466-0K001 (RHD)

Manual reference number: AIM 003 427 - 7

Revision record

Rev. No.	Date	Page	Picture	Update	New	Deleted steps
1	04.04.16	1, 2		X		
1	04.04.16	3	1		X	
1	04.04.16	6		X		
2	16.06.16	2, 6		X		
2	16.06.16	3, 4	2, 3, 7			X
2	16.06.16	3, 4, 5	4, 5, 6, 9, 10	X		
3	23.06.16	2		X		
3	23.06.16	4, 5	3-7	X		
3	23.06.16	6		X		
4	14.03.17	2, 4, 7-8	Tools, 5, CS	X	X	
5	30.06.17	2, 3, 6, 7	Kit, Tools, 4, 11		2, 3, 13	

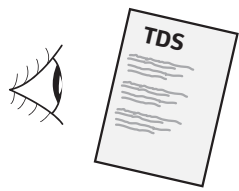
Rev. No.	Date	Page	Step	Remarks
6	24.04.20	1		Model Year and Kataschi code added
6	24.04.20	3		Loctite added
6	24.04.20	1		During and After Installation info added
7	18.12.20	3	1	Step added
7	18.12.20	4, 8	4, 13	Step updated

 <p>A</p>	 <p>B</p>			
<p>1x</p>	<p>1x</p>			
 <p>C</p>				
<p>3x</p>				
		 <p>2mm 10mm</p>		
 <p>2mm 10mm</p>		 <p>2mm</p>		

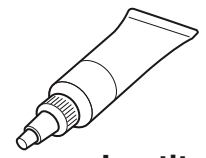
6



Material Safety Data Sheet

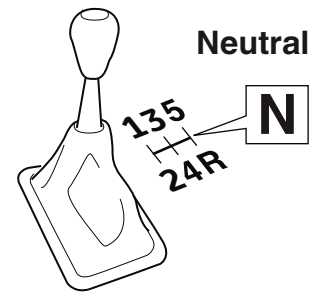
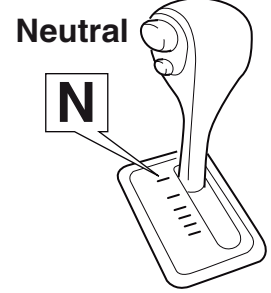
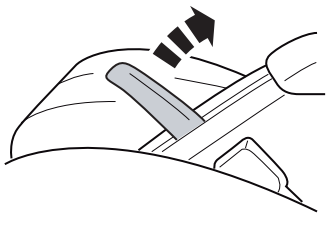


Technical Data Sheet

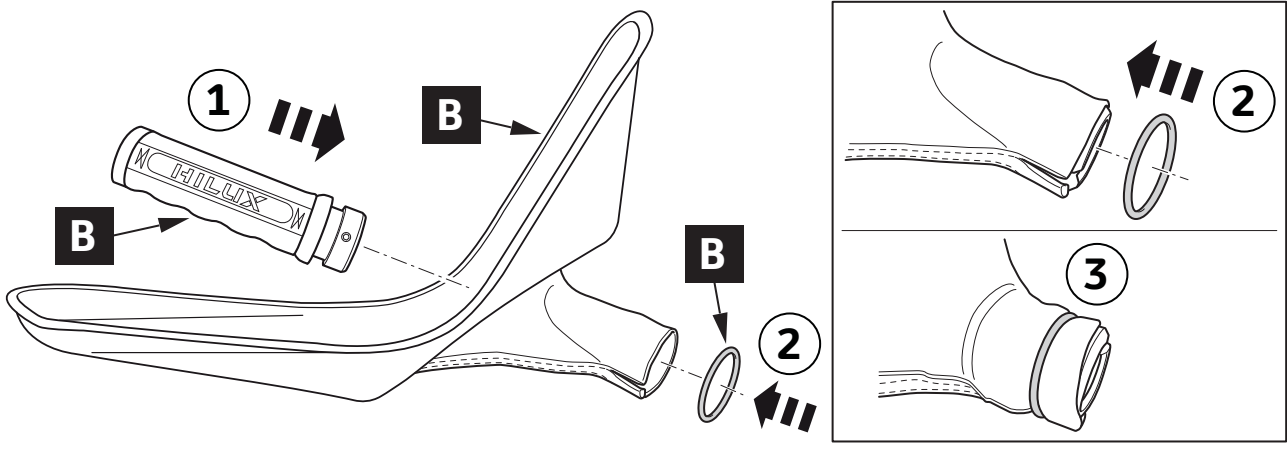


Loctite 2701

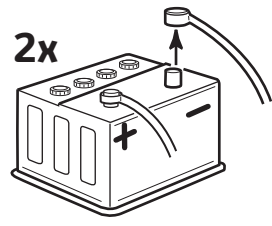
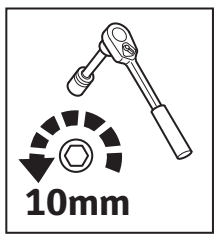
7



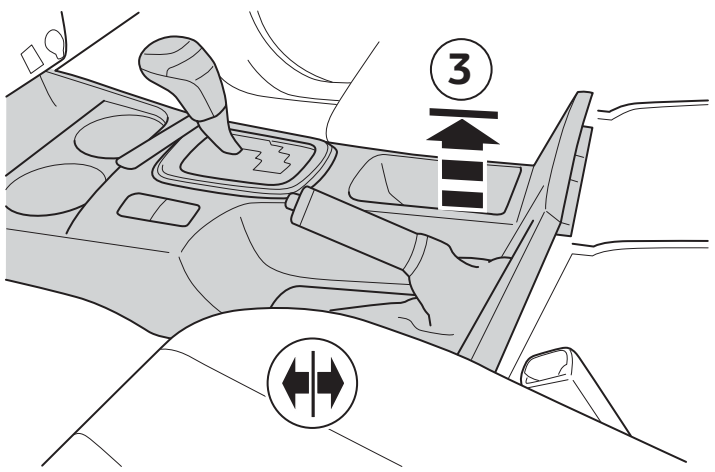
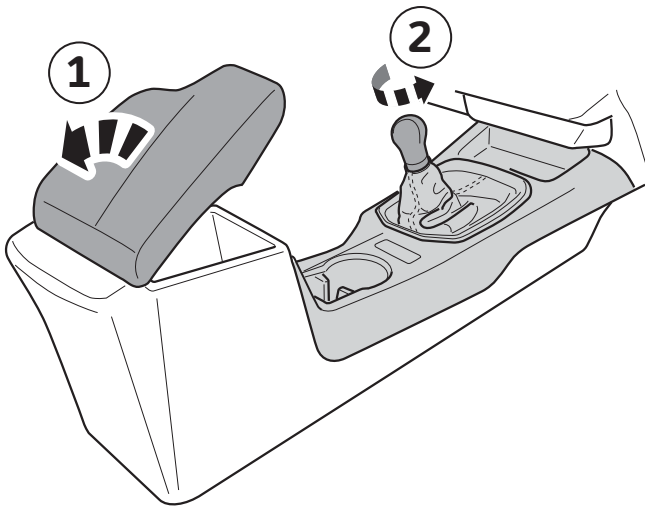
1



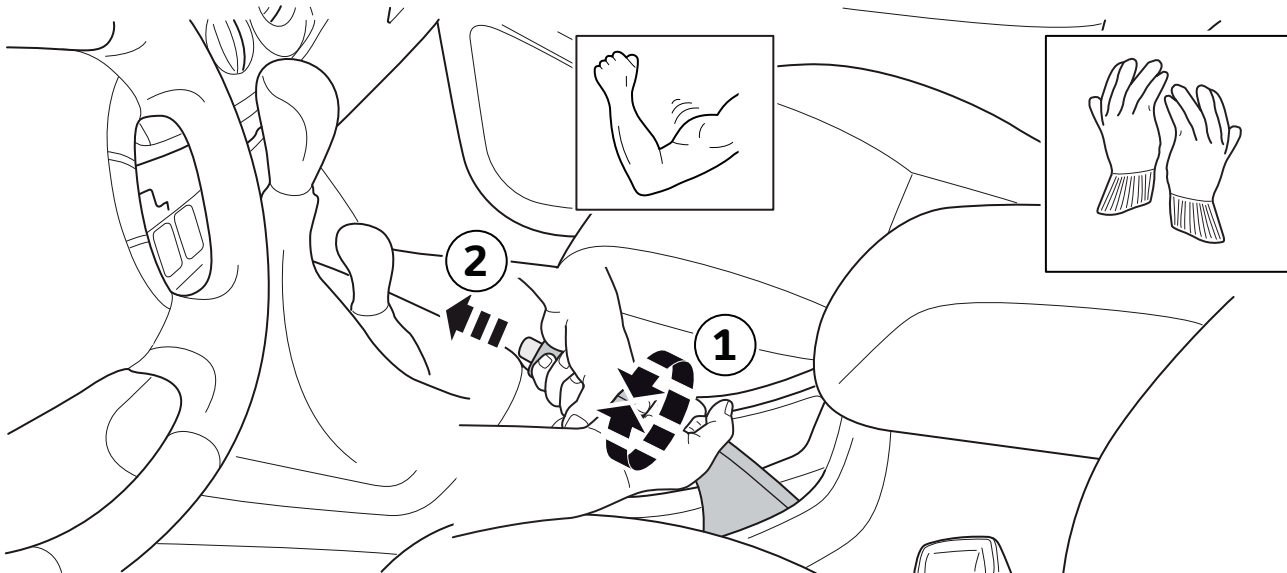
2



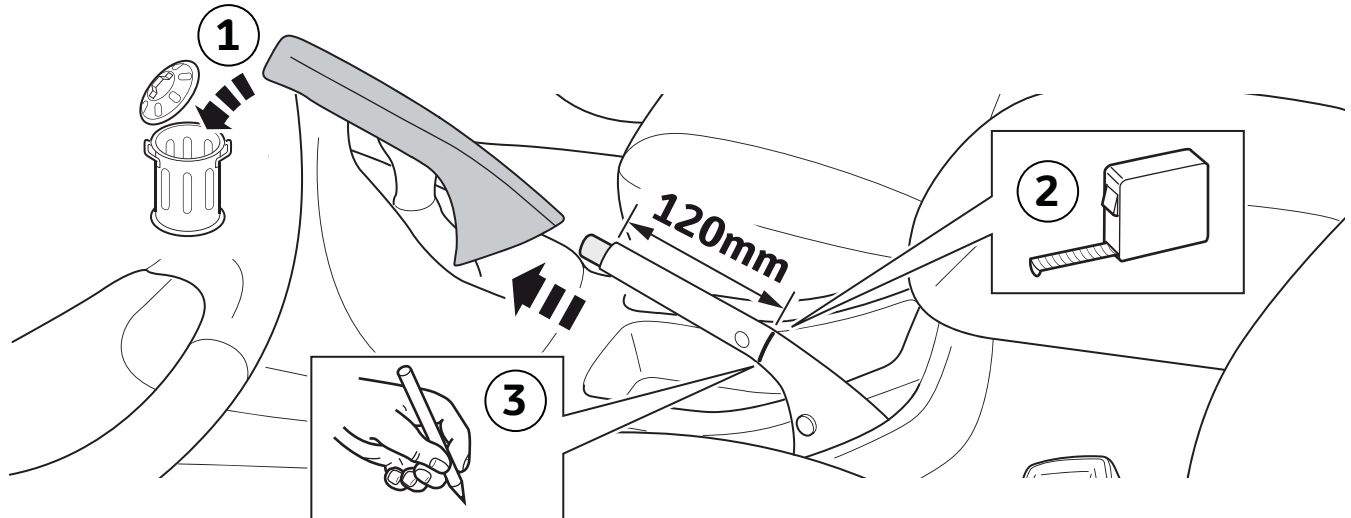
3



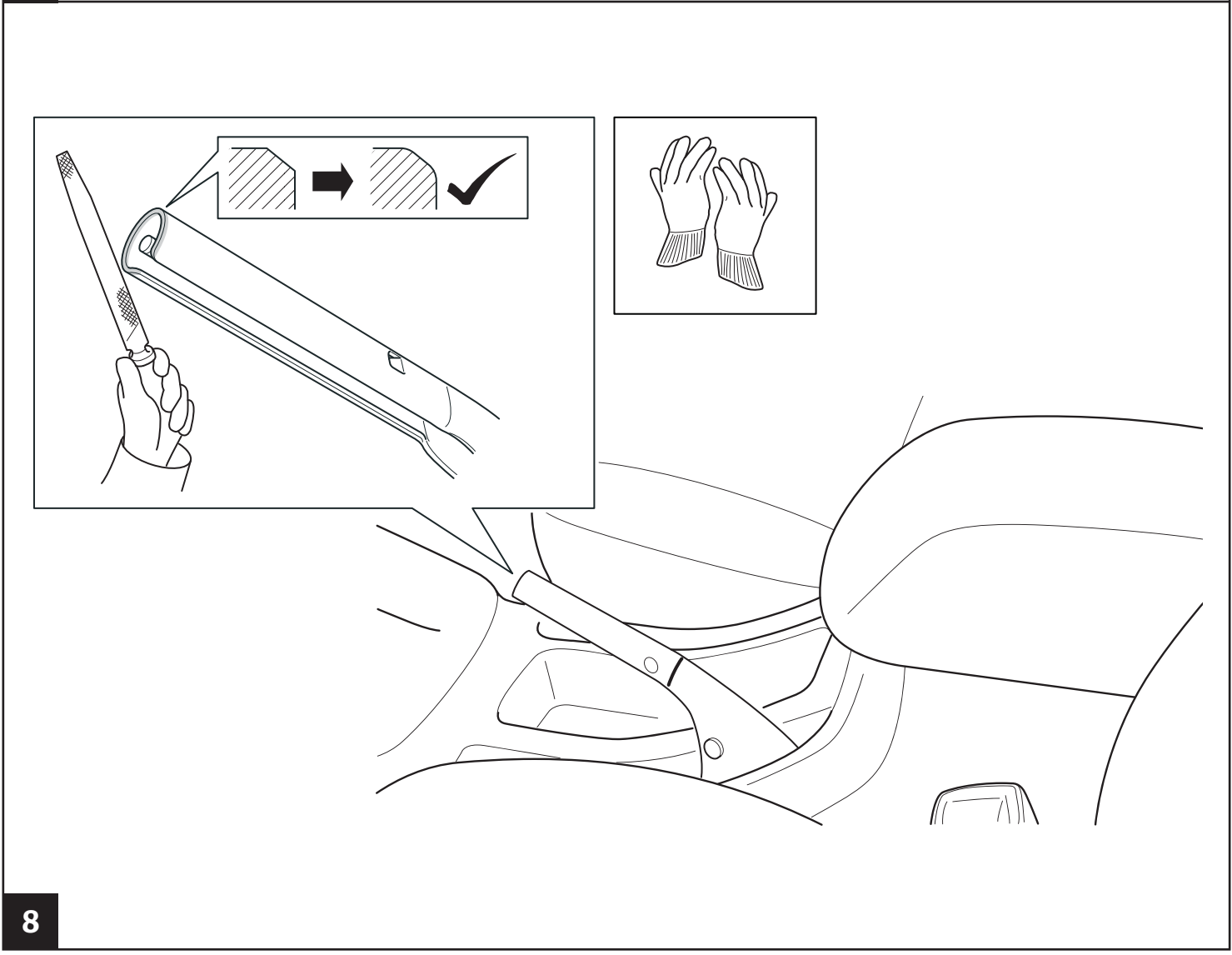
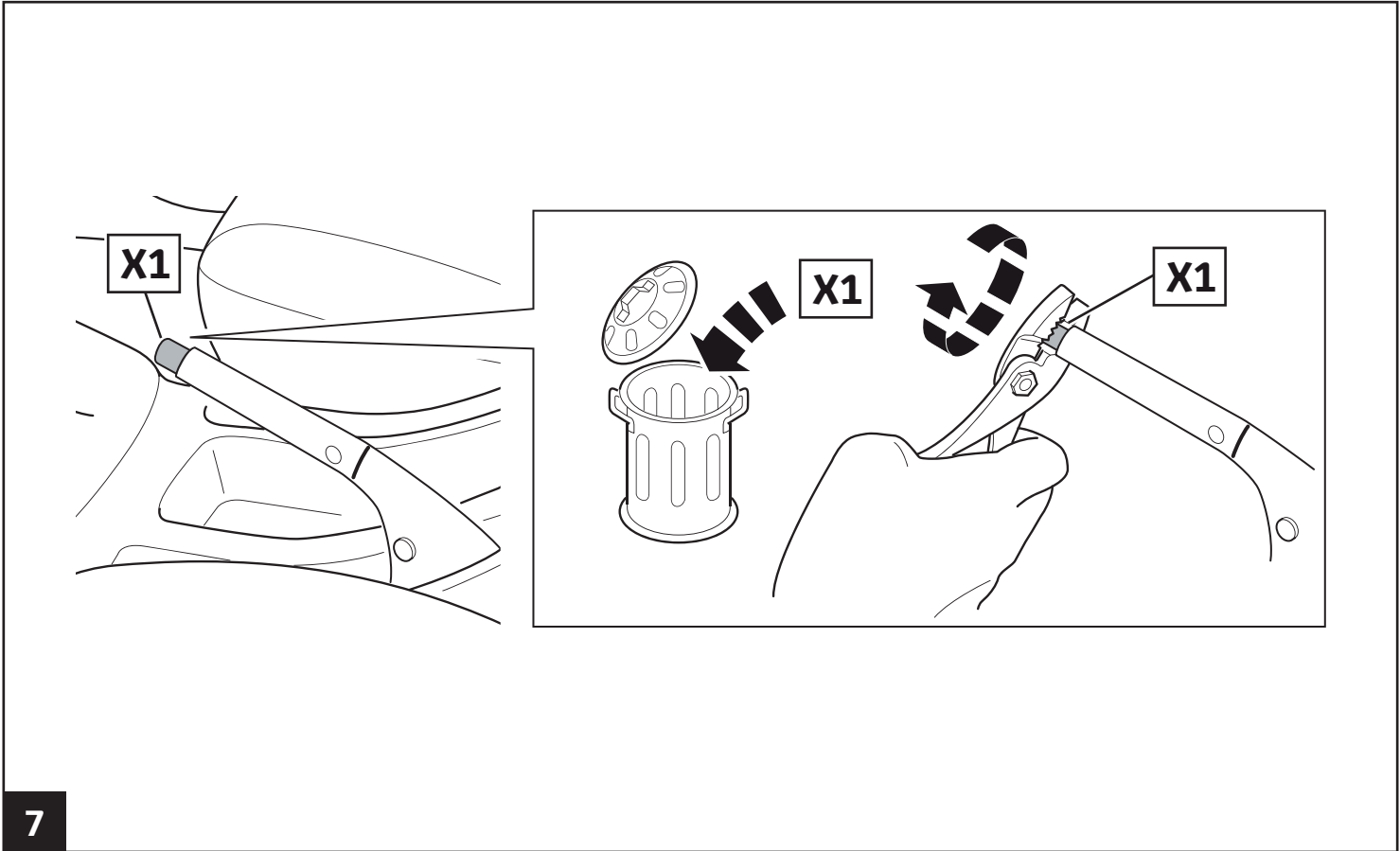
4

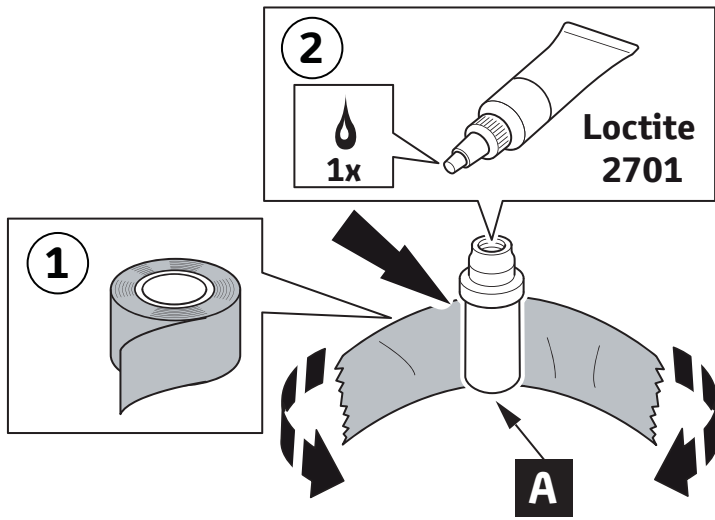


5

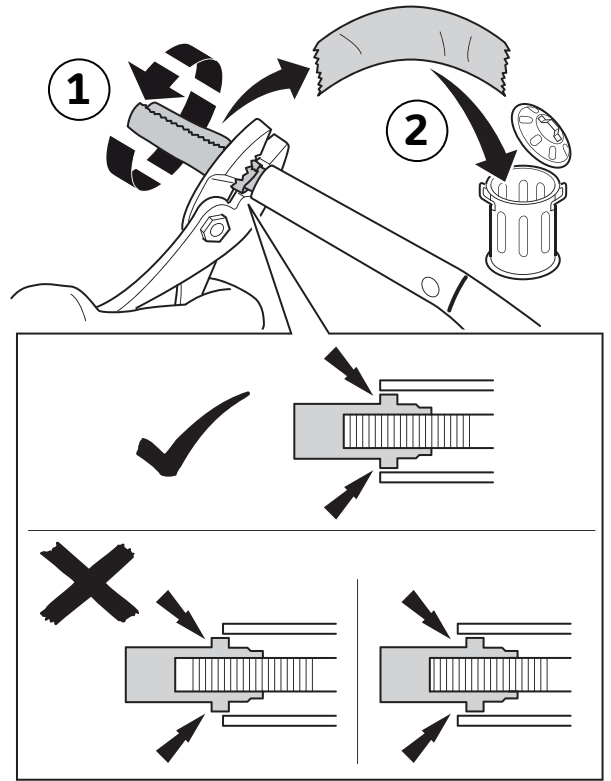


6

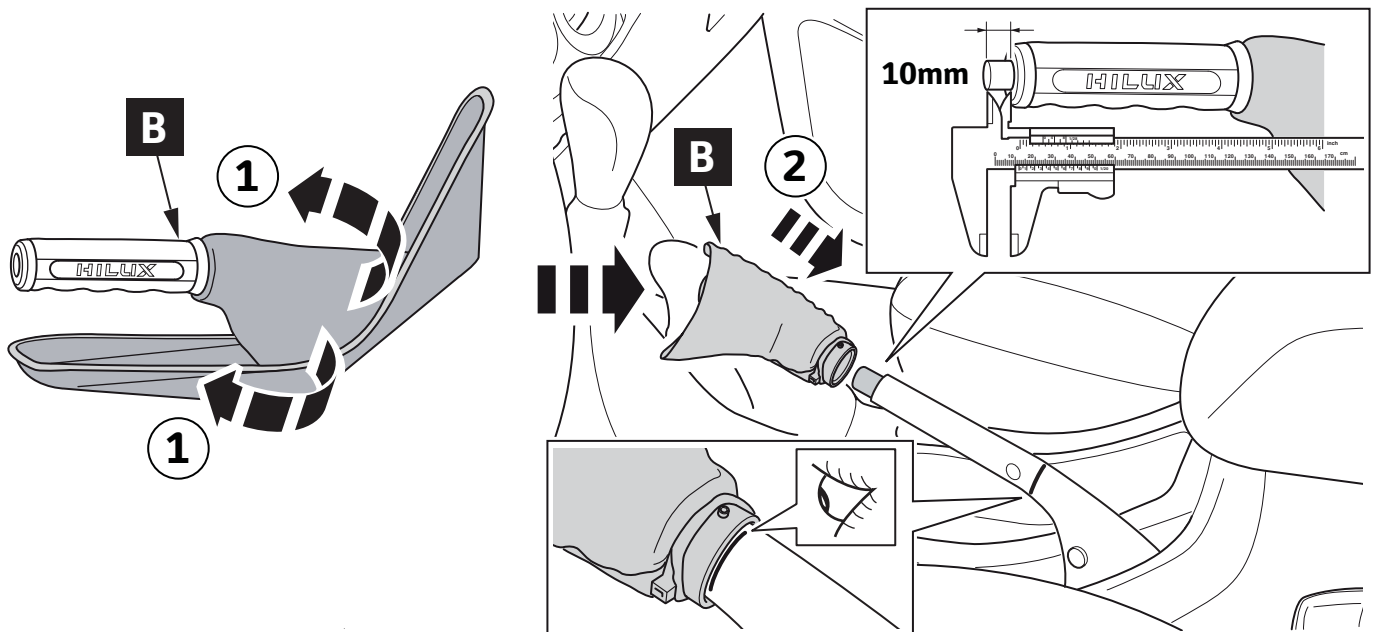




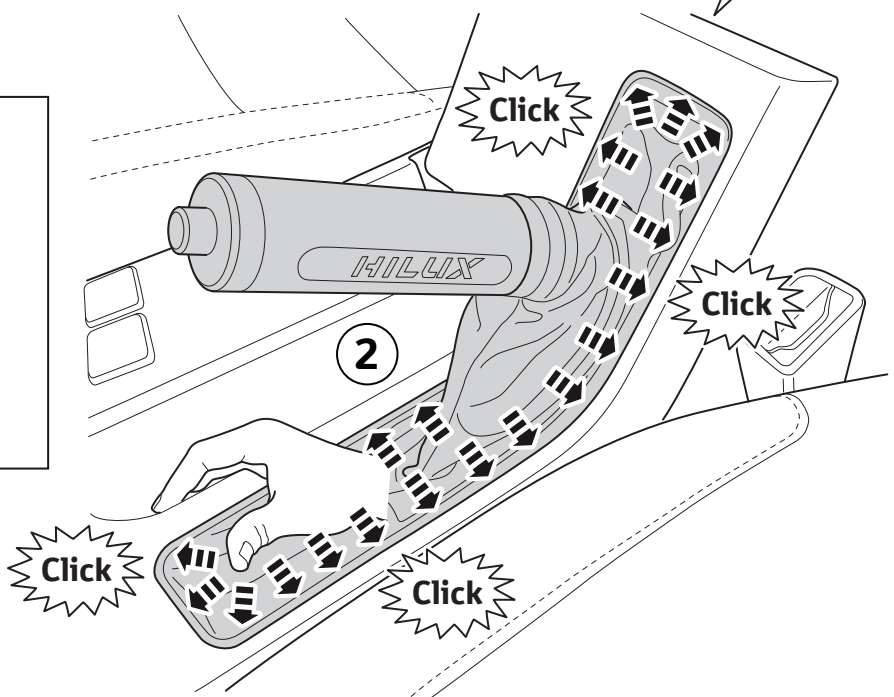
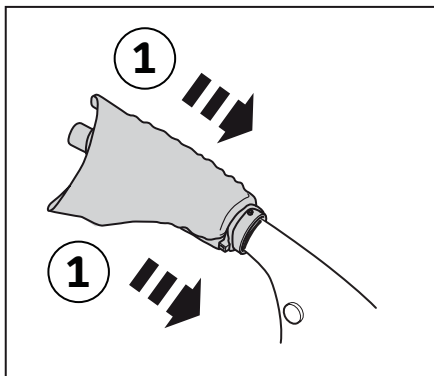
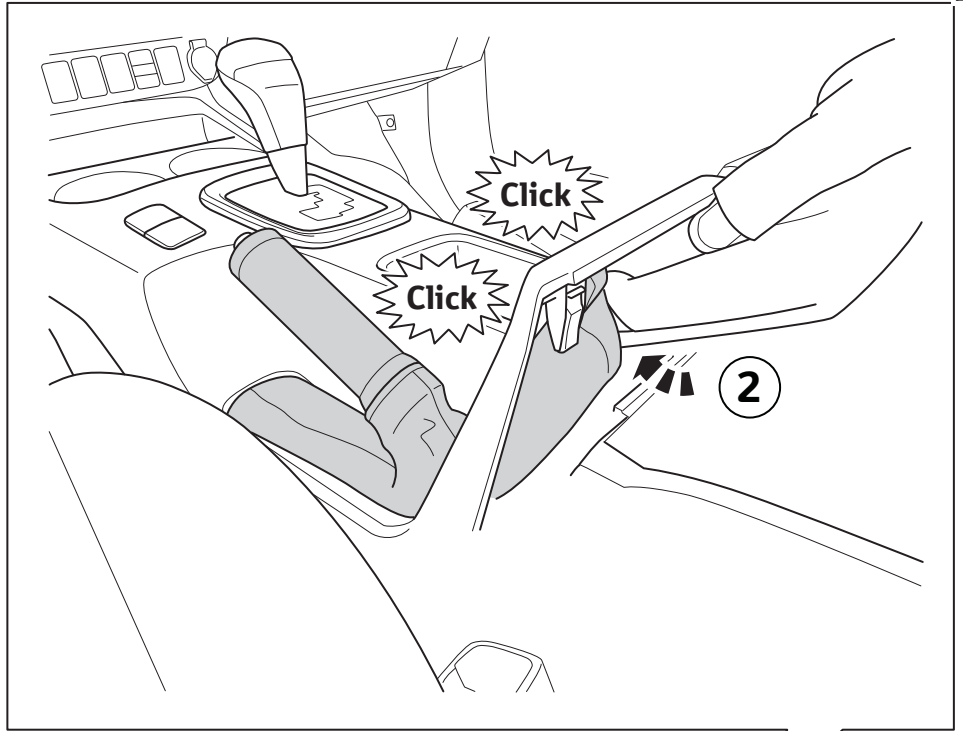
9



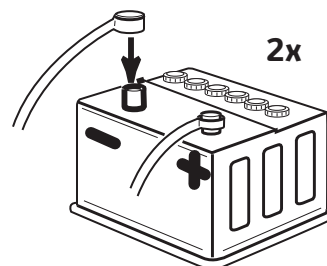
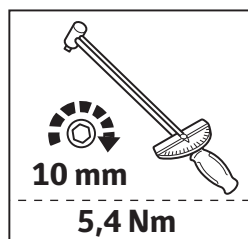
10



11



13



14

CHECK SHEET Page 1 of 2



TOYOTA

Model / Year

Hilux

Hand brake lever

As from 2015/04

ALWAYS A BETTER WAY

VIN n°

DURING INSTALLATION

1

P/N = OK

=A =B

2

= OK

3

1,6 Nm (x3)

Click

Serial Number

AFTER INSTALLATION

1

Click

3x

A B

2

Click

3x

A B

Installation Date:
... / ... /


Technician Name & Signature:

Stamp:



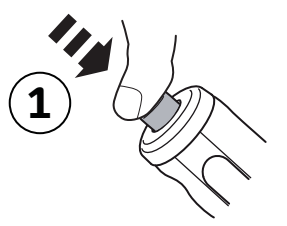
CHECK SHEET Page 2 of 2

AFTER INSTALLATION

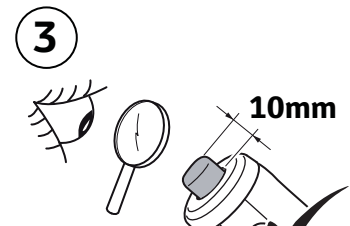


3x

1

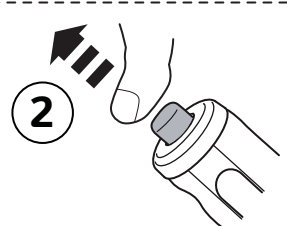


3

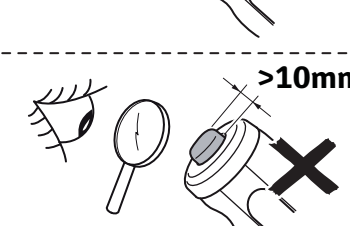


10mm


2



>10mm



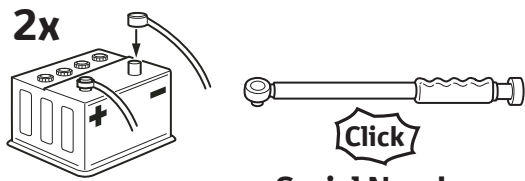
= OK



A
 B

3

2x




Click

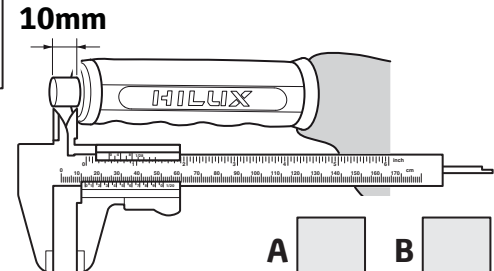
Serial Number

(2x)

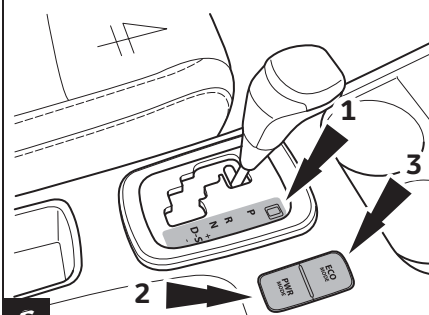
4 5,4 Nm



10mm




5 = OK **A** **B**



1 ECO MODE

2 PWR MODE

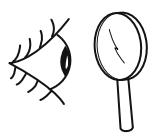
3



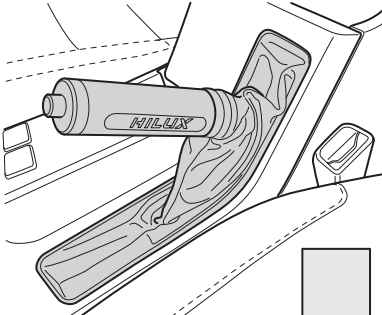
1 ECO MODE

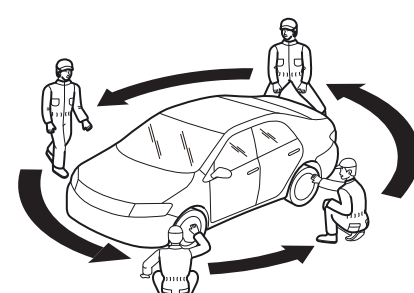
2 PWR MODE


6



= OK







= OK

Installation Date:

... / ... /

Technician Name & Signature:

Stamp: