



TOYOTA

ALWAYS A
BETTER WAY

Yaris

Rear mudflaps

Installation Instructions

Model year: As from 2020/06

Vehicle code: **P*11*-BH***W

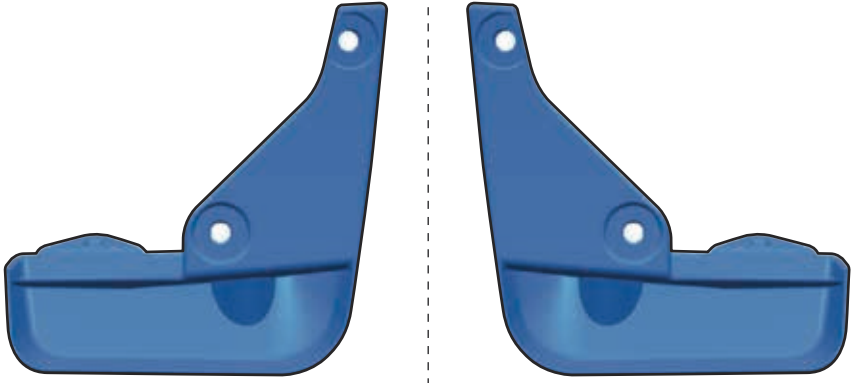
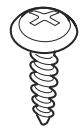

Part number: PW389-0D005

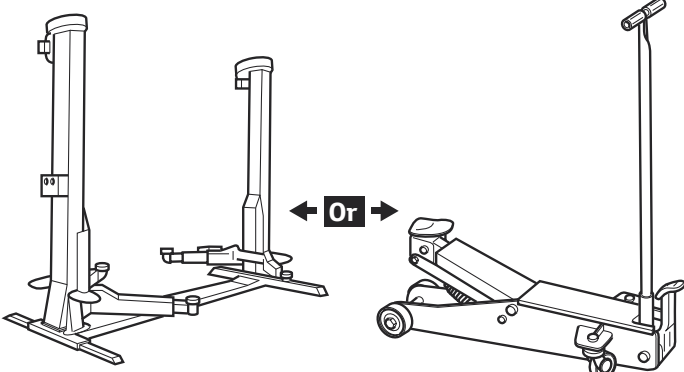

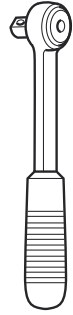


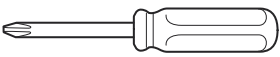
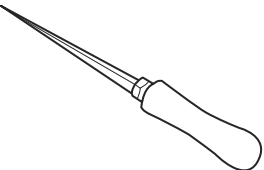
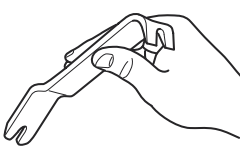

Manual reference number: AIM 006 094-0

Revision record

Rev. No.	Date	Page	Step	Remarks

PW389-0D005

<p>A</p>  <p>LHS 1x RHS x1</p>	<p>B</p>  <p>x6</p> <p>C</p>  <p>x6</p>
--	---

 <p>← Or →</p>	<p>21 mm</p>  	<p>Click</p> 	<p>Torque stick 100Nm</p> 
 <p>ph2</p>			 <p>AIM 003 516-*</p>

INFORMATION

Material Safety Data Sheet

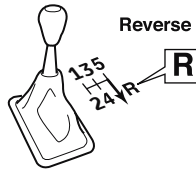


Technical Data Sheet

Parking

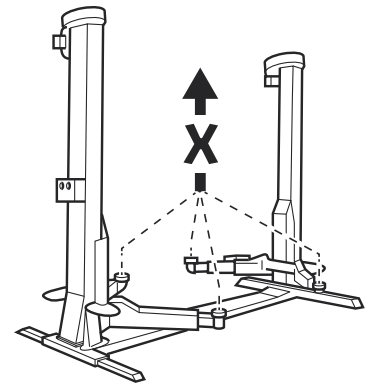
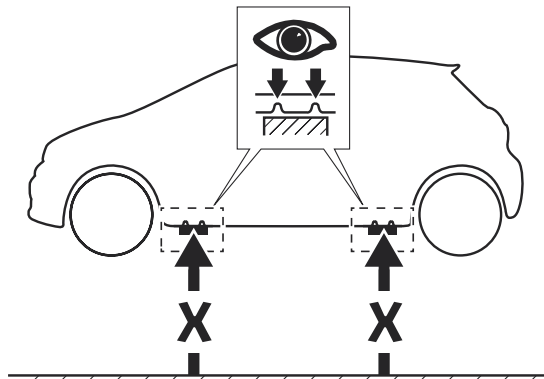
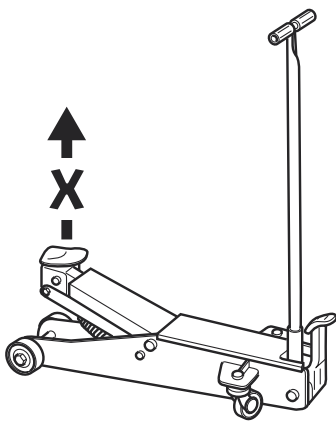
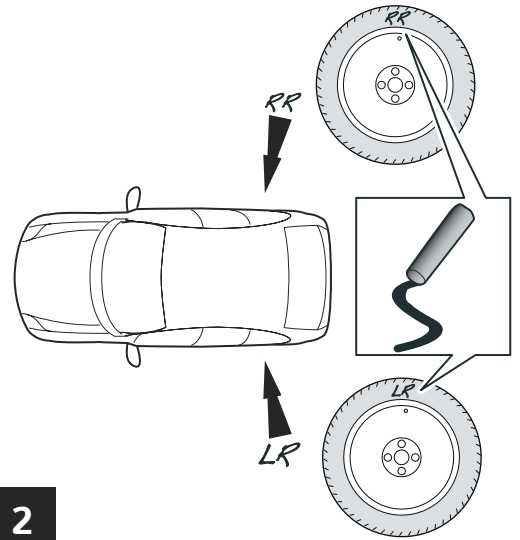


Reverse

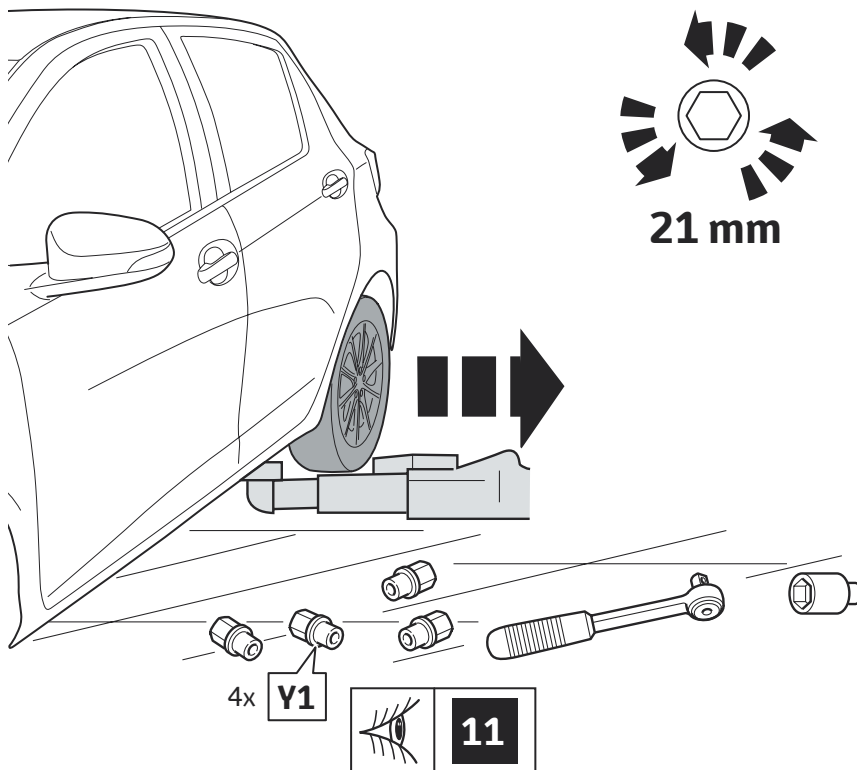


1

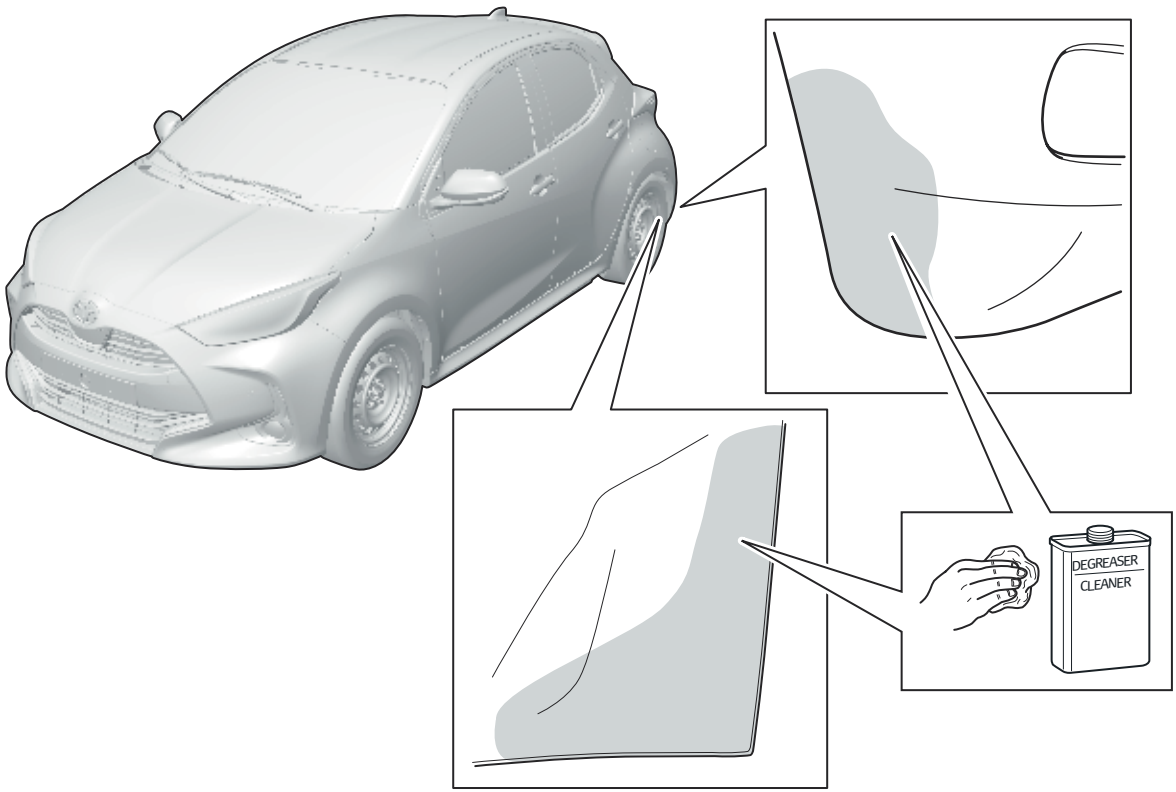
2



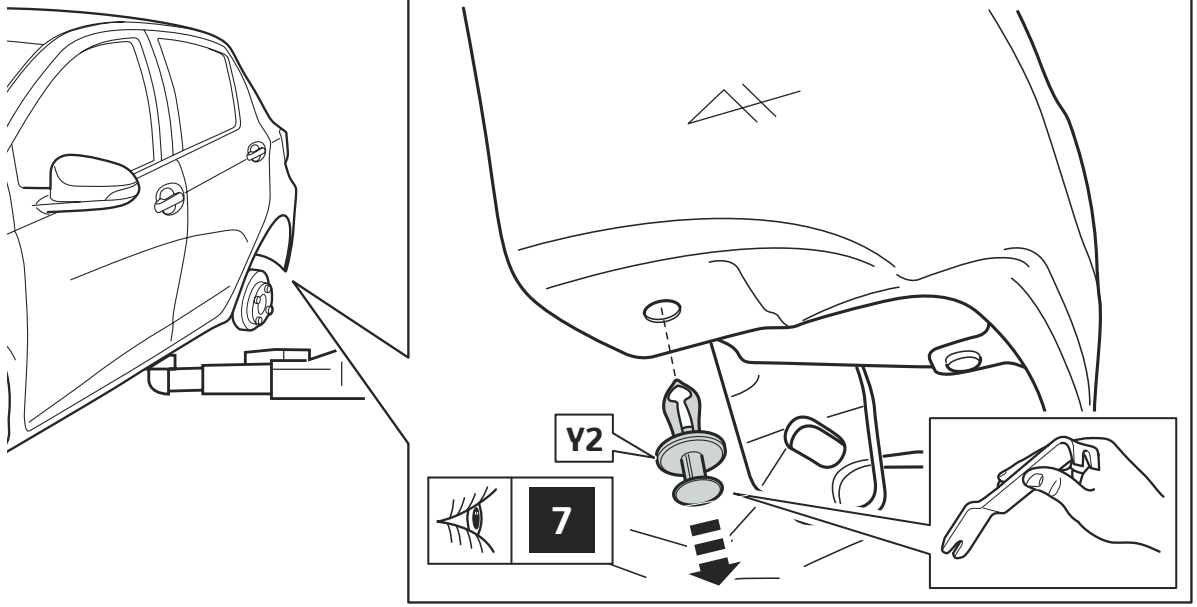
3



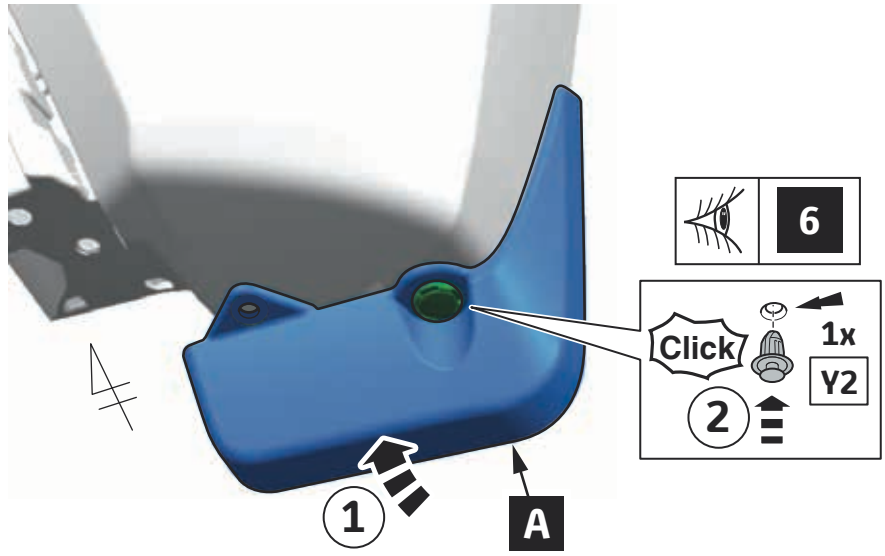
4



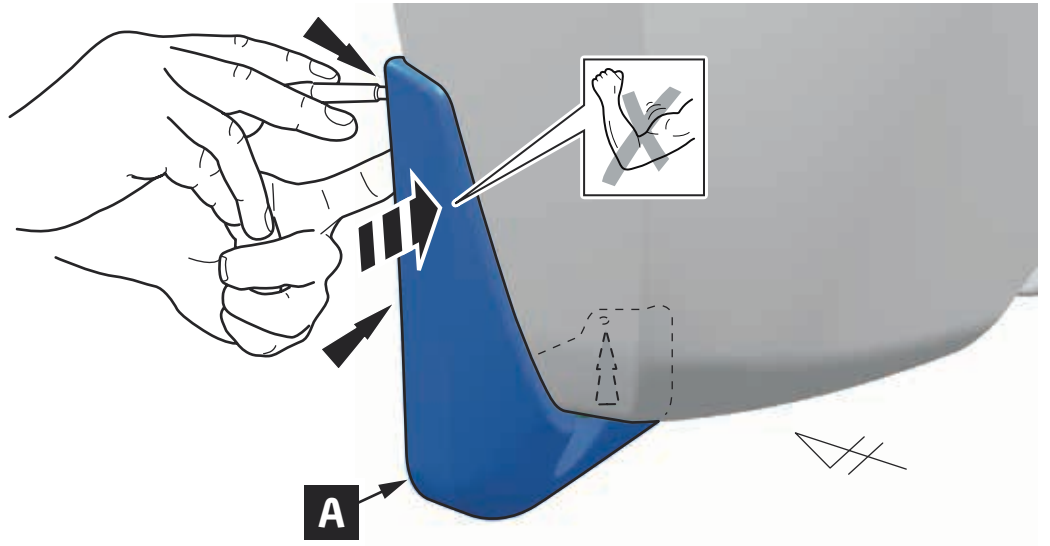
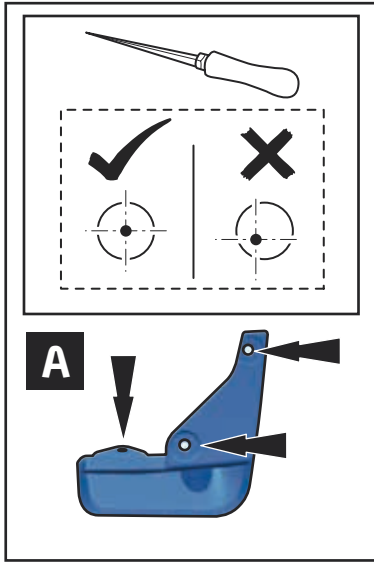
5



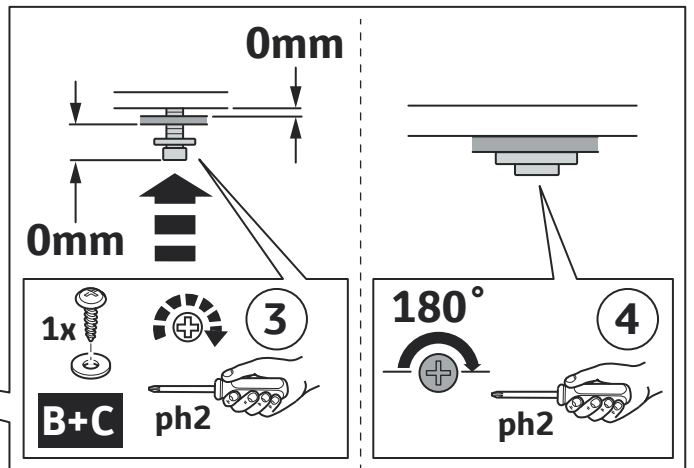
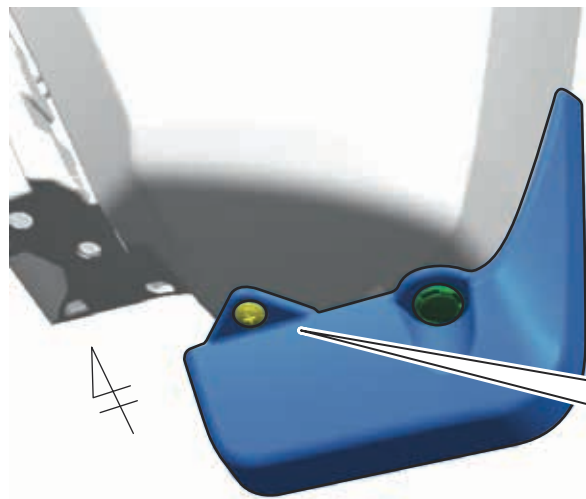
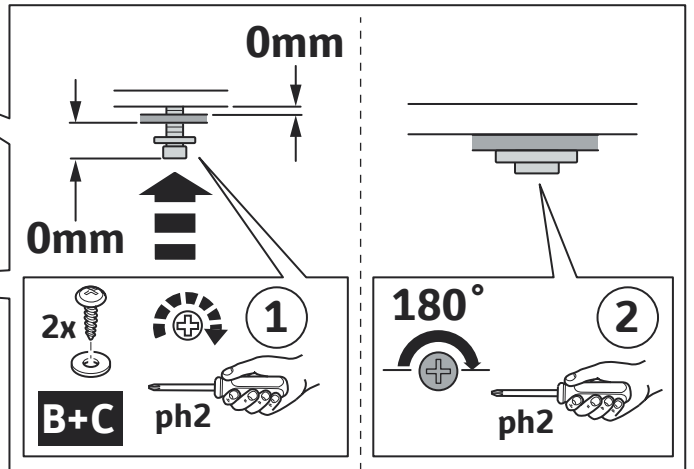
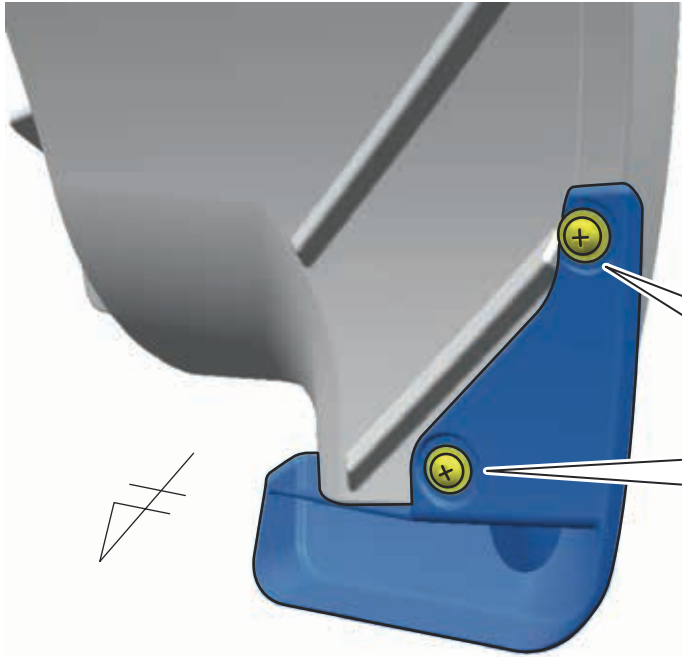
6



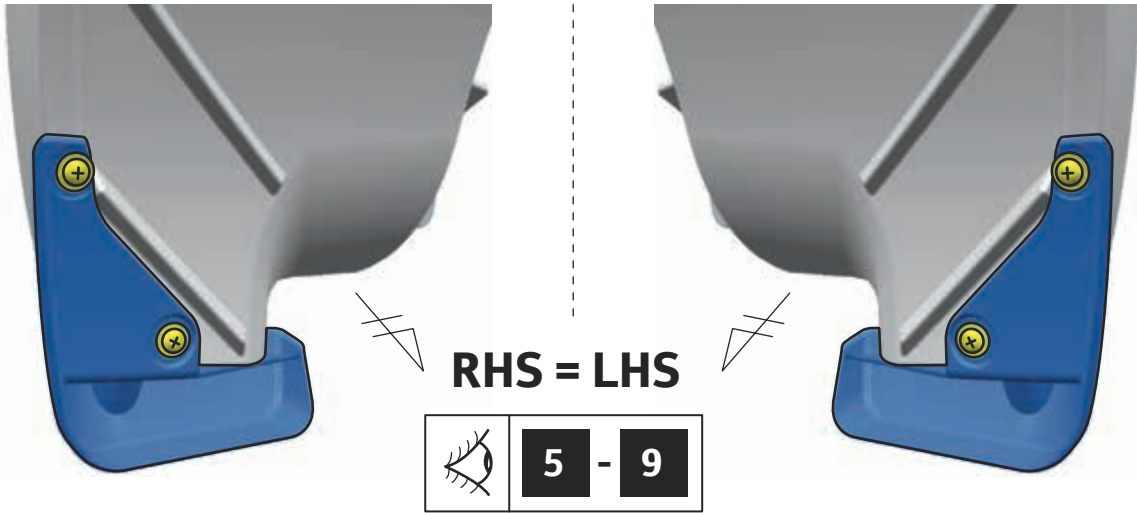
7



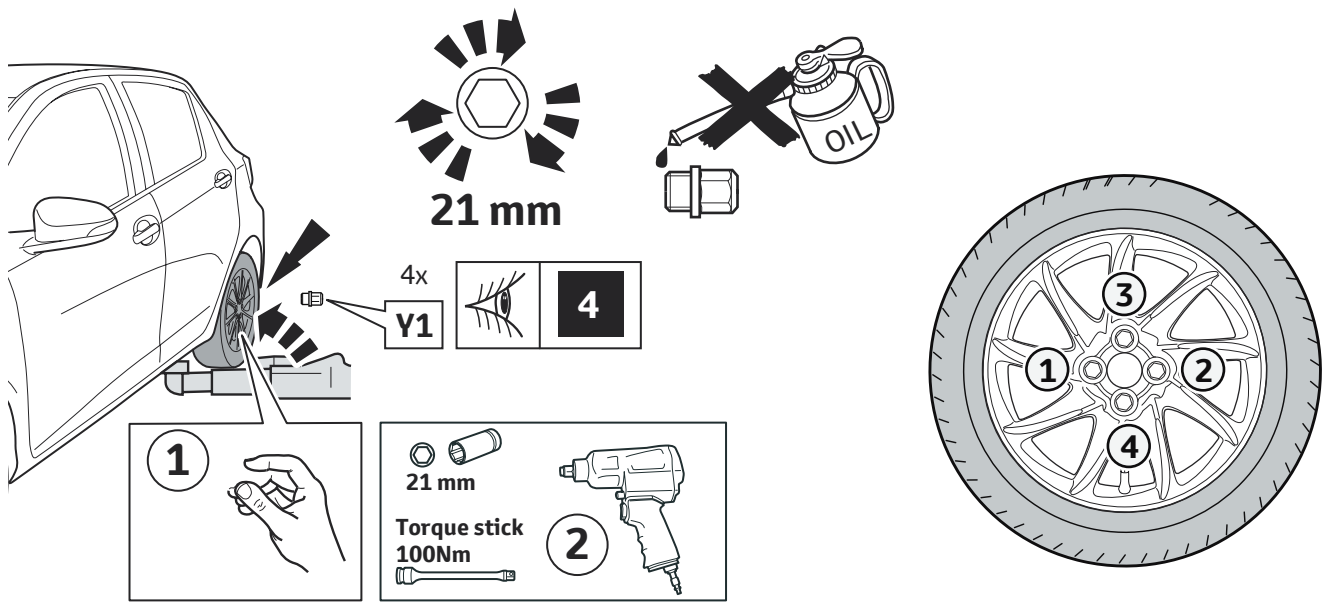
8



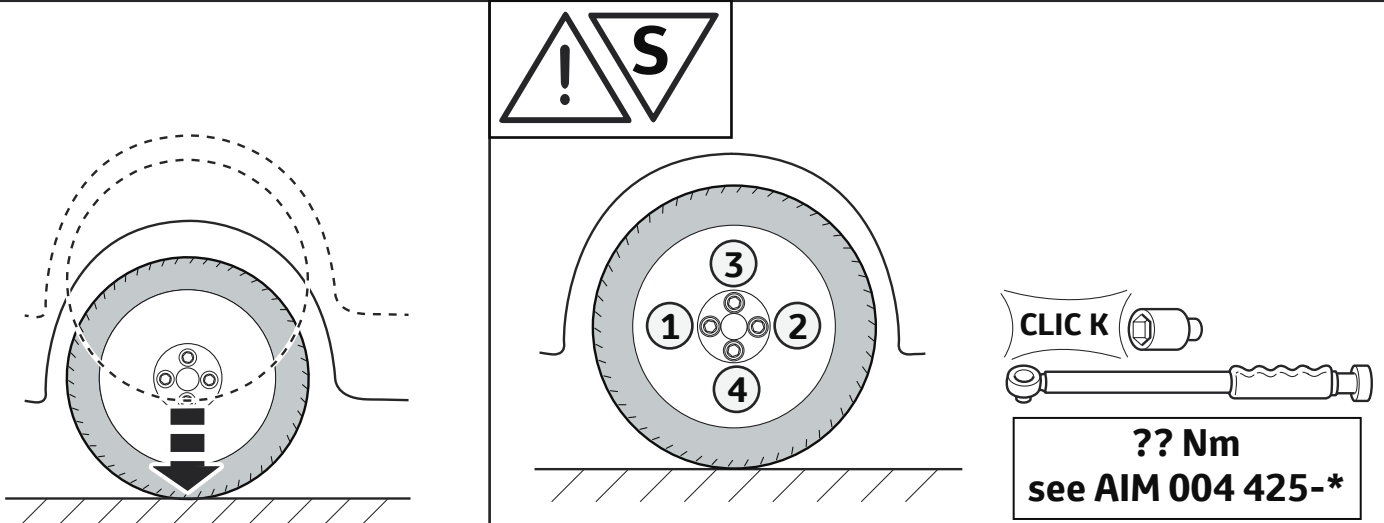
9



10



11



12

13



TOYOTA

CHECK SHEET

Page 1 of 2

Yaris

Model/Year

As from 2020/06

Rear mudflaps

VIN n°

ALWAYS A BETTER WAY

DURING INSTALLATION

1

P/N = OK

=A
 =B

2

?? Nm
see AIM 004 425-*

CLICK

Serial Number

A B

3

RR = LR = OK

A

LR = LR = OK

B



AFTER INSTALLATION


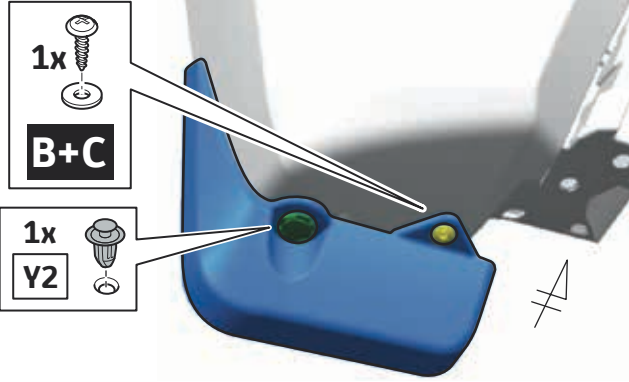
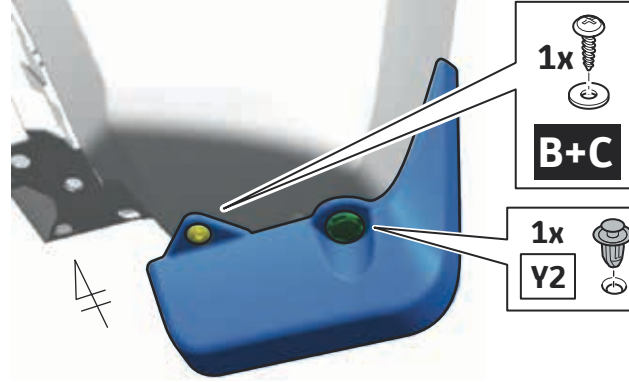
1

2x B+C

LHS RHS

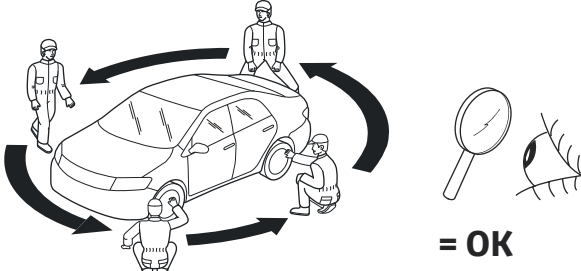


RHS 
LHS 

2

LHS **RHS**



3

= OK

Installation Date:
... / ... / ...

Technician Name & Signature:

Stamp: