



**TOYOTA**

ALWAYS A  
BETTER WAY

# Toyota C-HR

## Side bars

Installation instructions

Model year: 2016/10, 2019/10

Vehicle code: \*\*X\*\*\*-AH\*\*\*W  
\*\*X\*\*\*-AH\*\*\*X

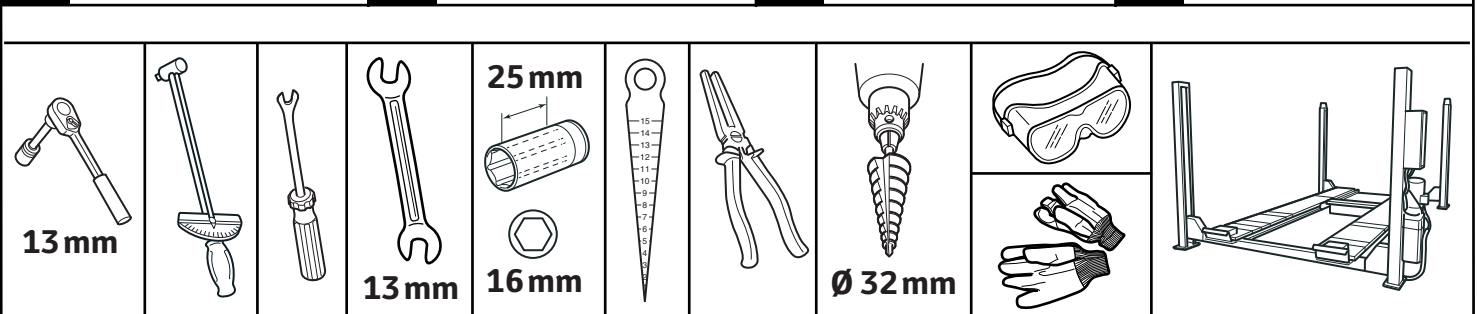
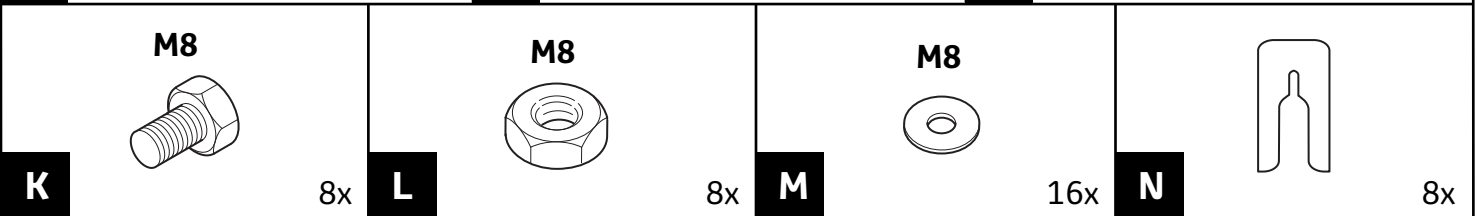
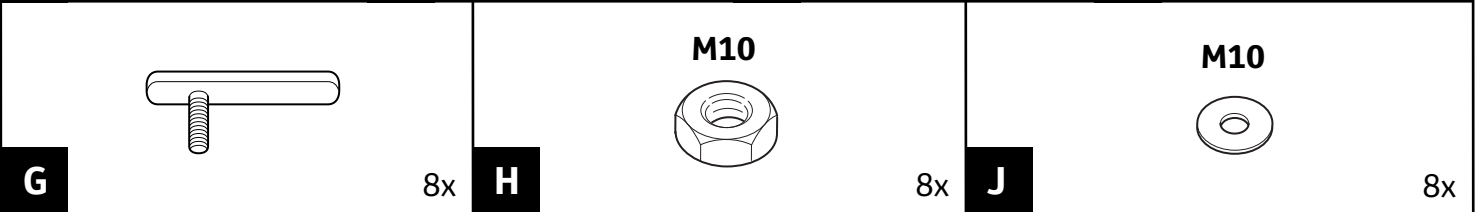
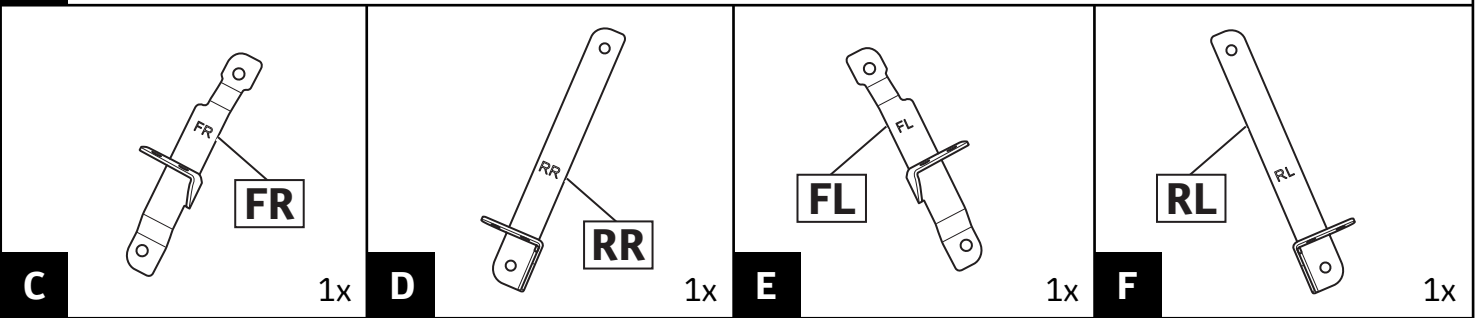
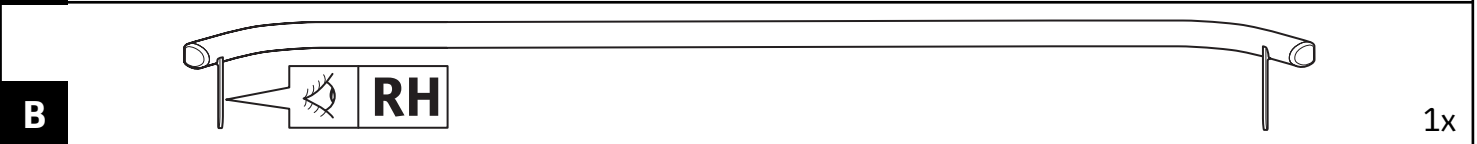
Part number: PW388-10000

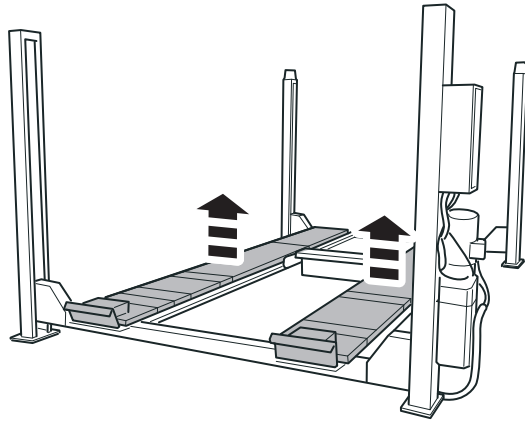
Manual reference number: AIM 003 930-3

# Revision Record

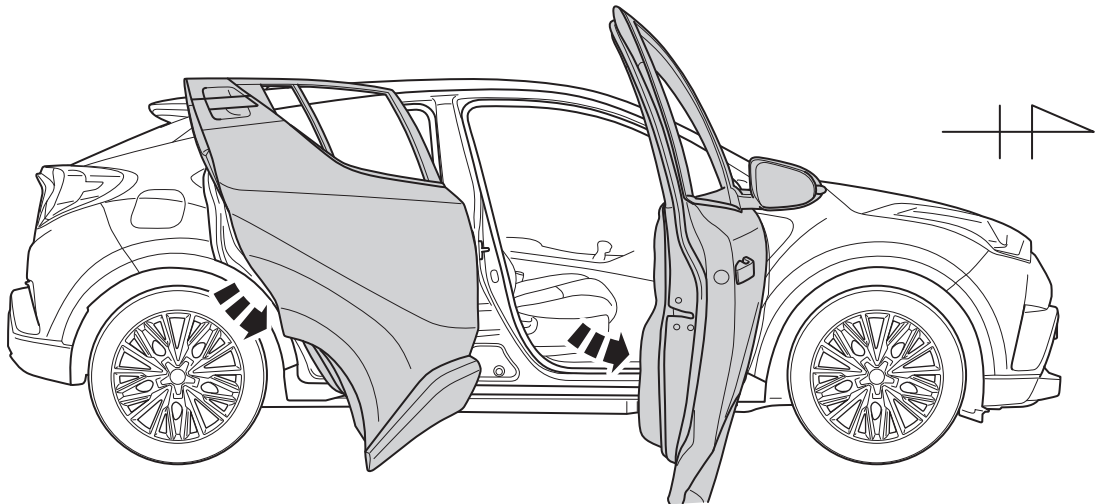
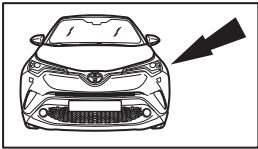
Rev. No.	Date	Page	Picture	Update	New	Deleted steps
1	24.10.16	2, 11		X		
1	24.10.16	3	1, 3	X		
1	24.10.16	6	8, 10	X		
1	24.10.16	8	15, 16	X		
1	24.10.16	4, 9	5, 17		X	
2	02.05.18	1		X		

Rev. No.	Date	Page	Step	Remarks
3	06.06.19	1, 11	C/S	Model year & Vehicle codes added

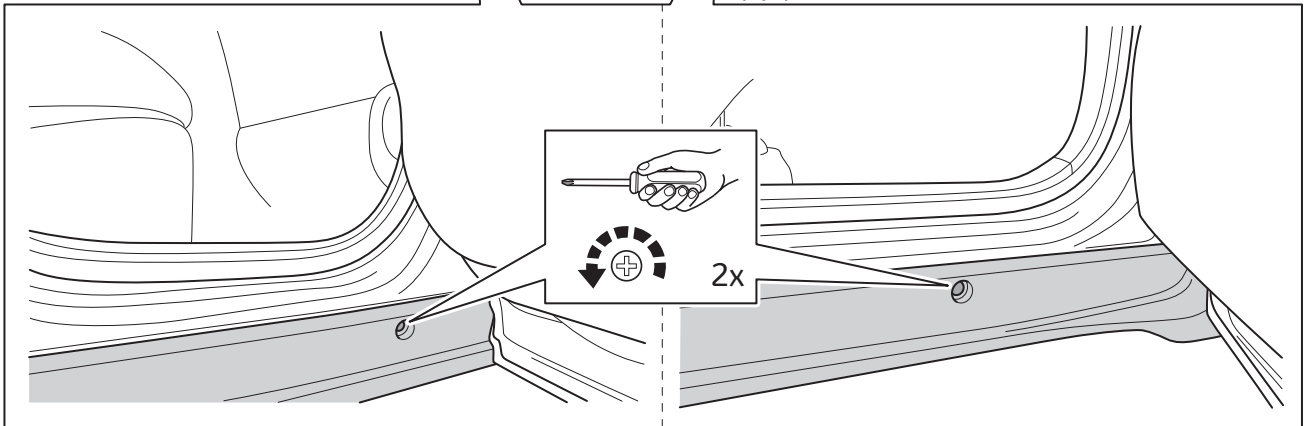
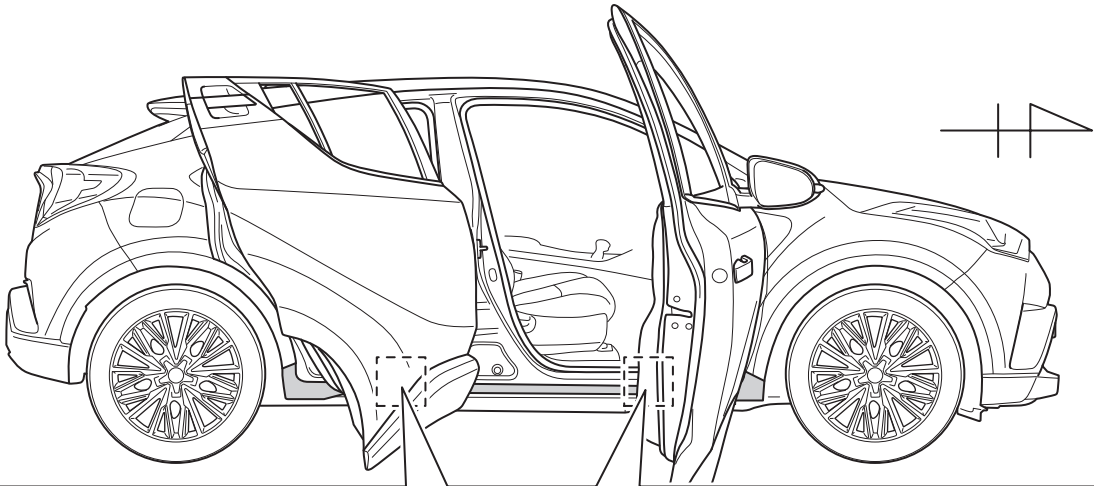




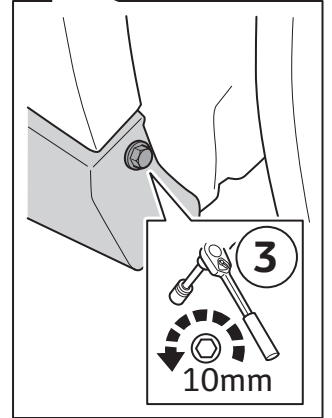
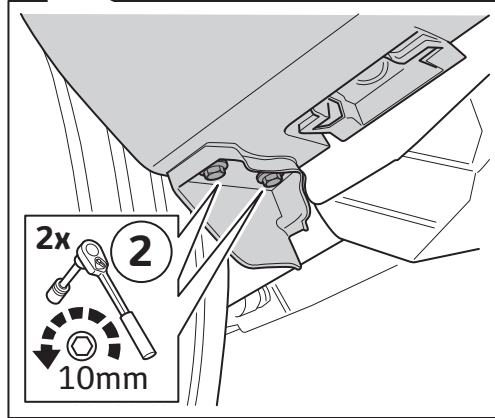
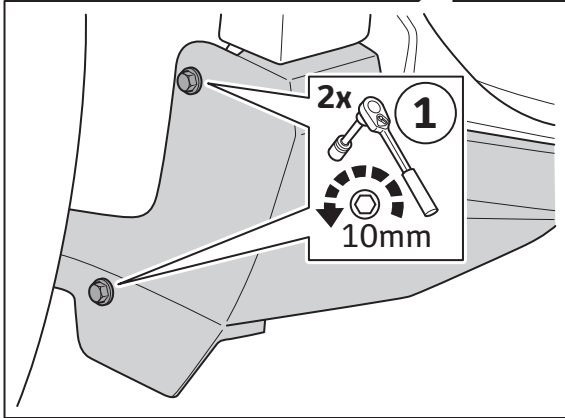
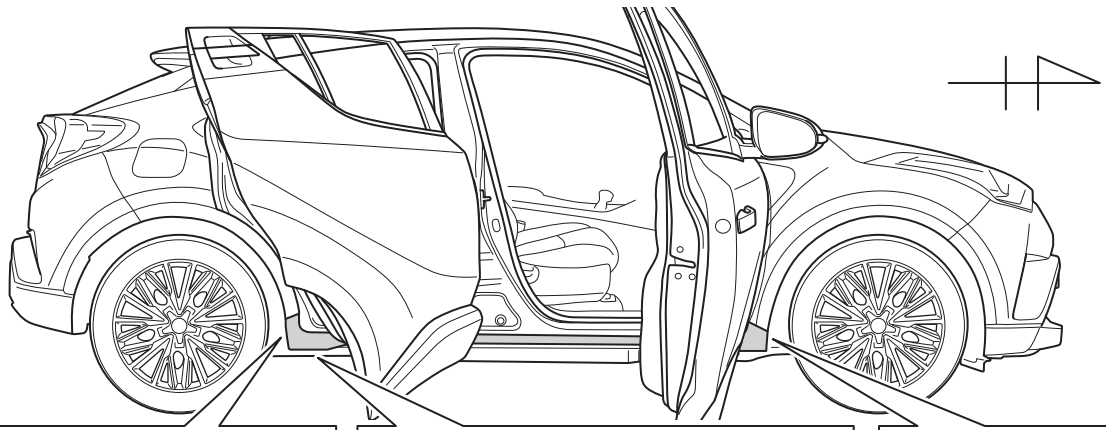
1



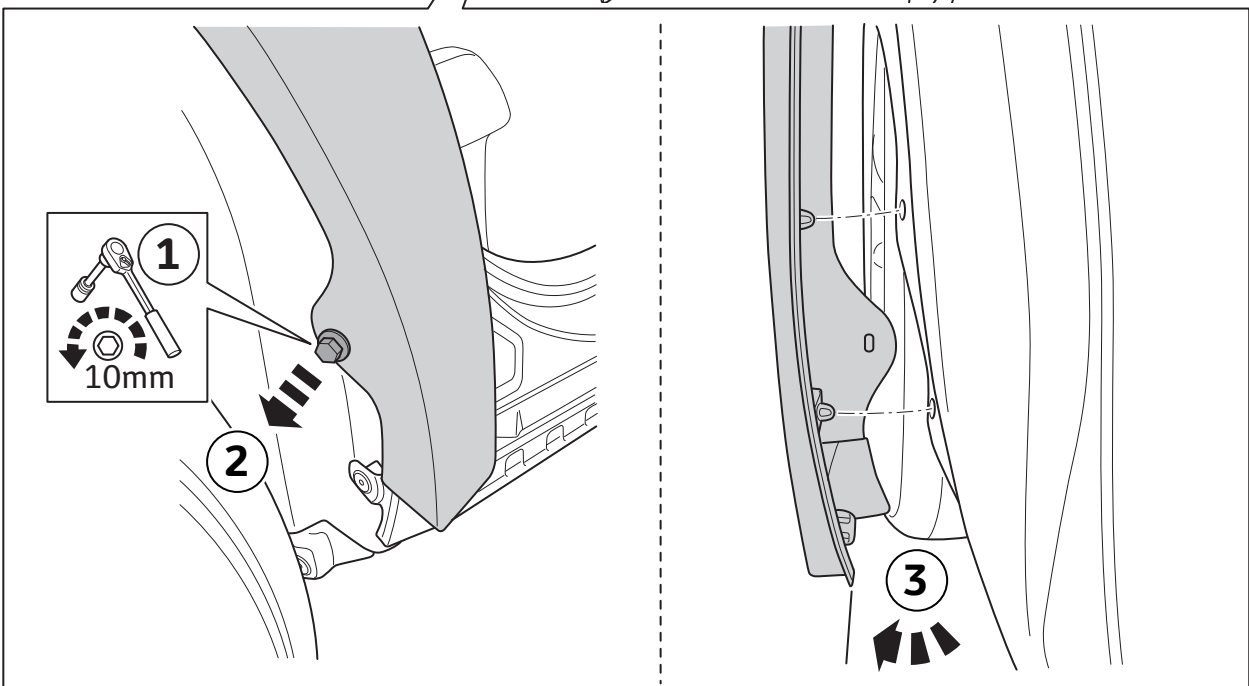
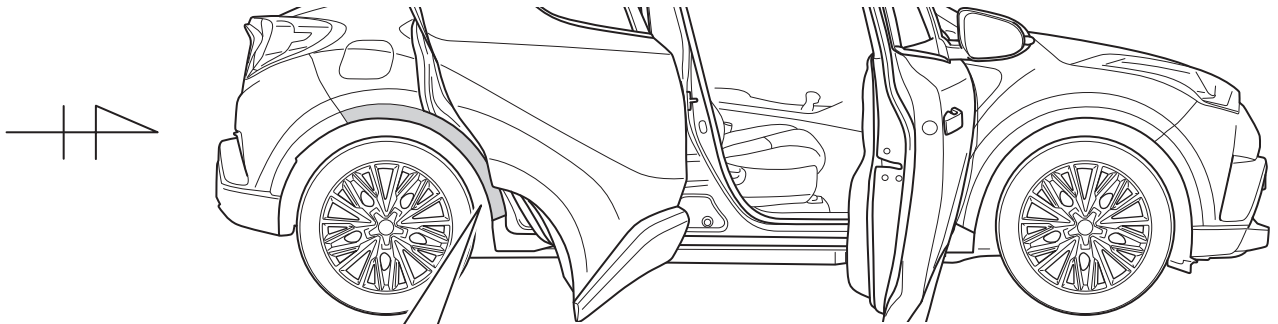
2



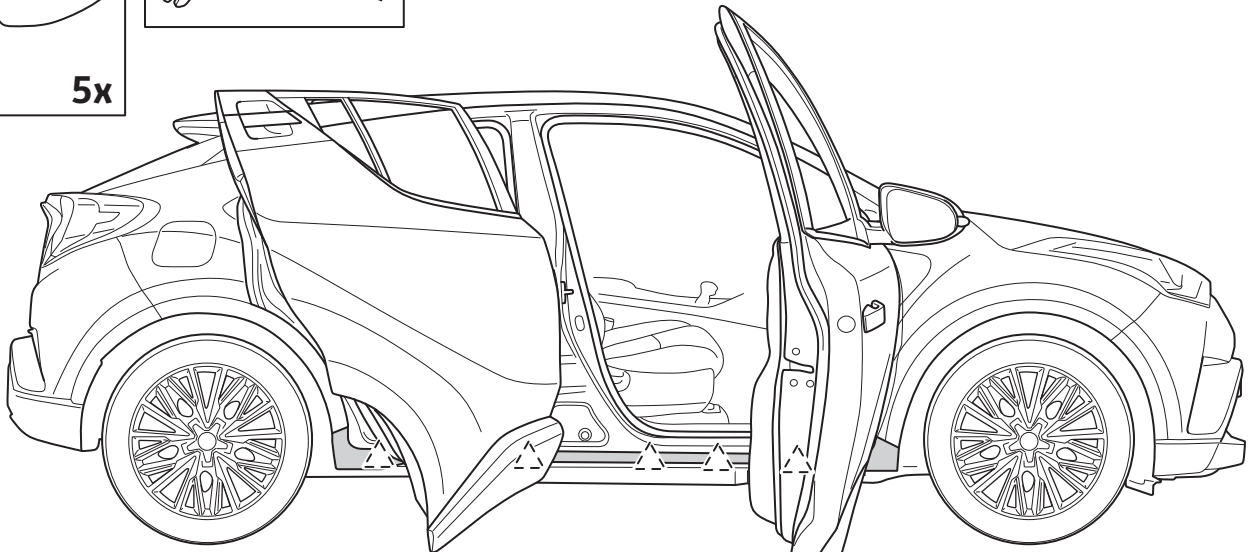
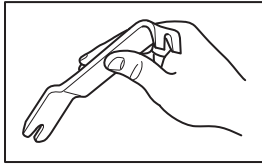
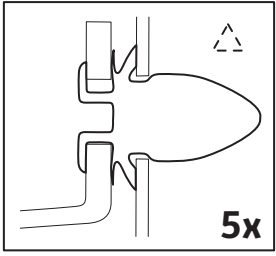
3



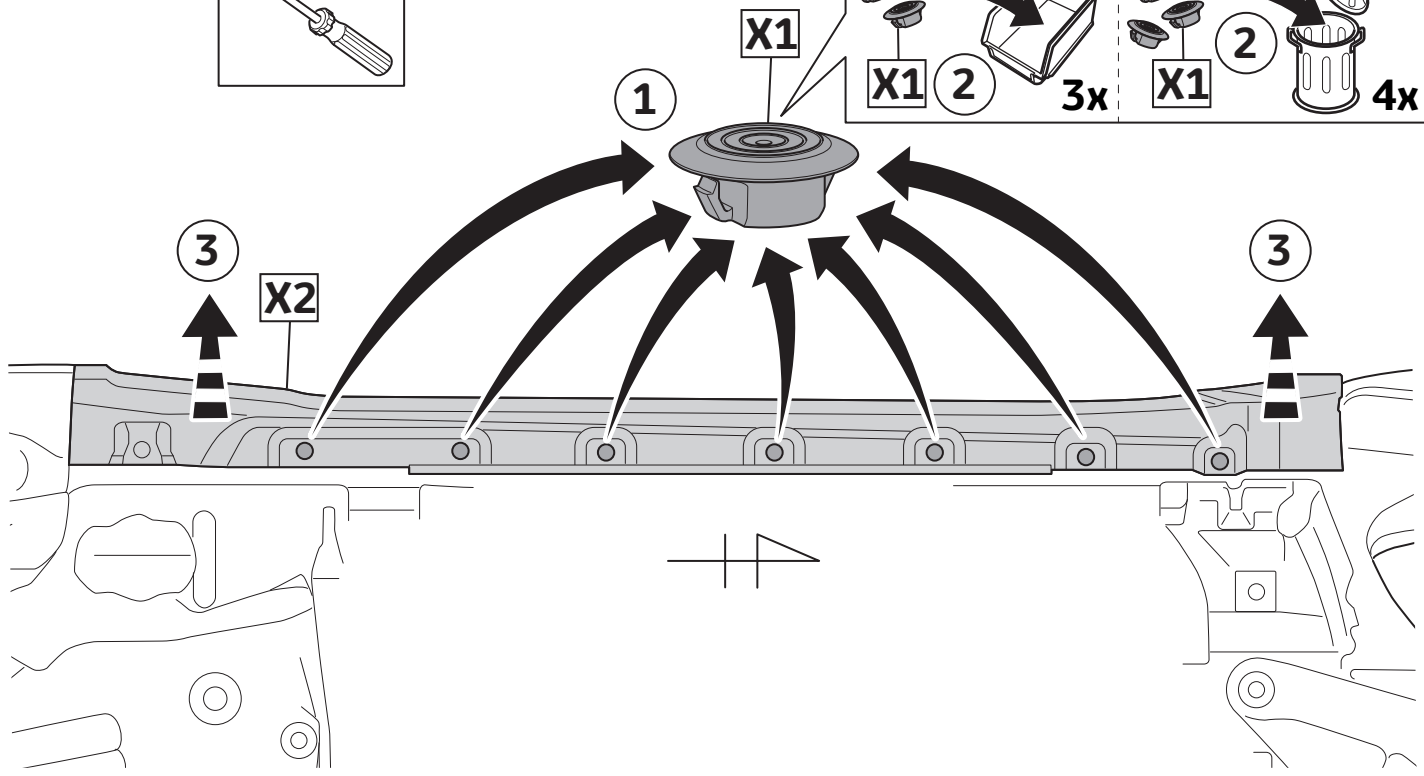
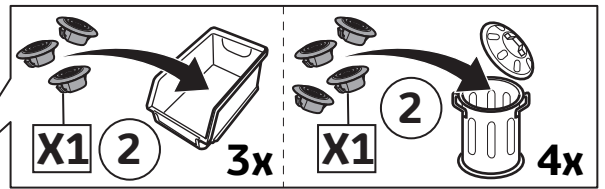
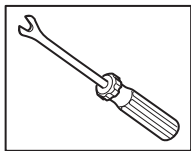
4



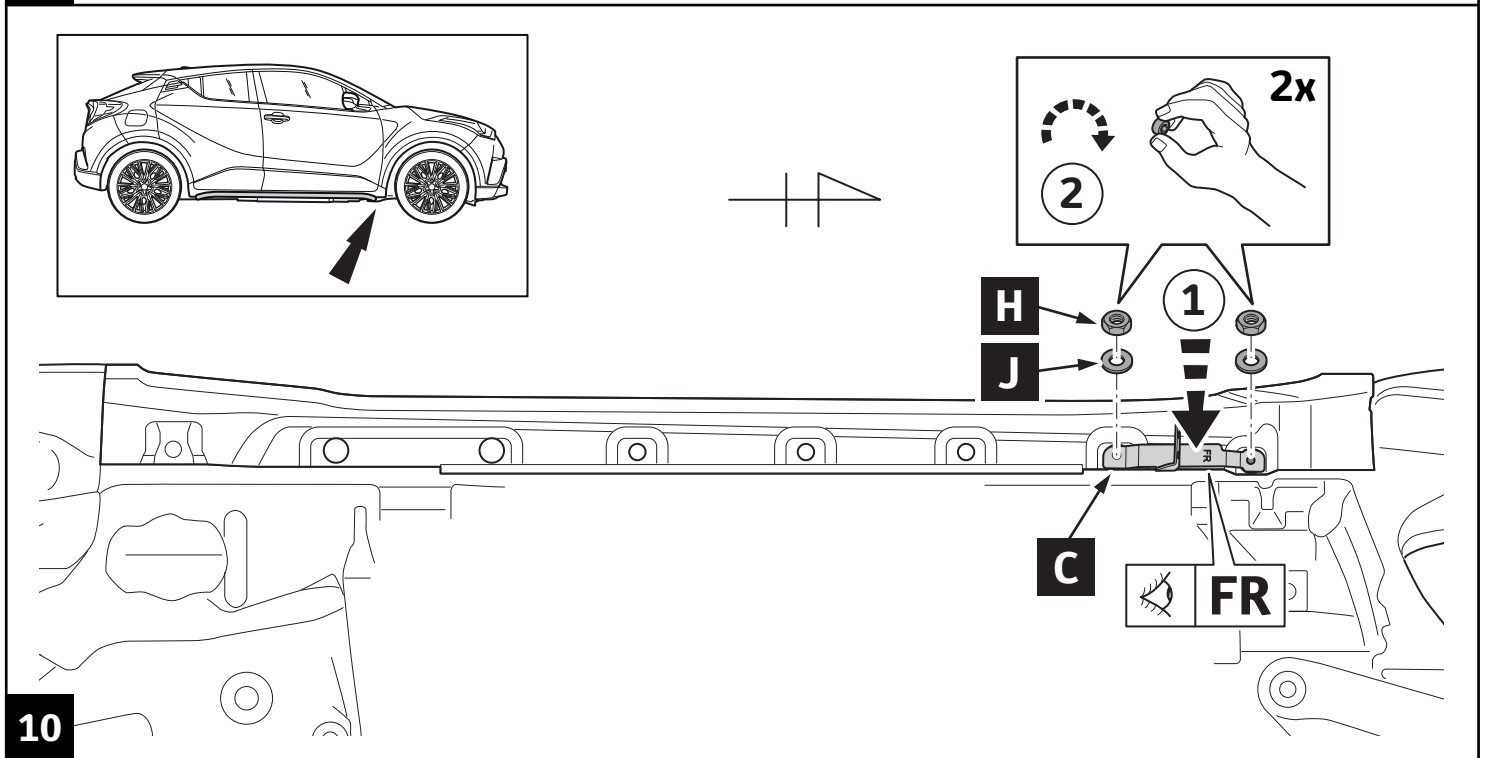
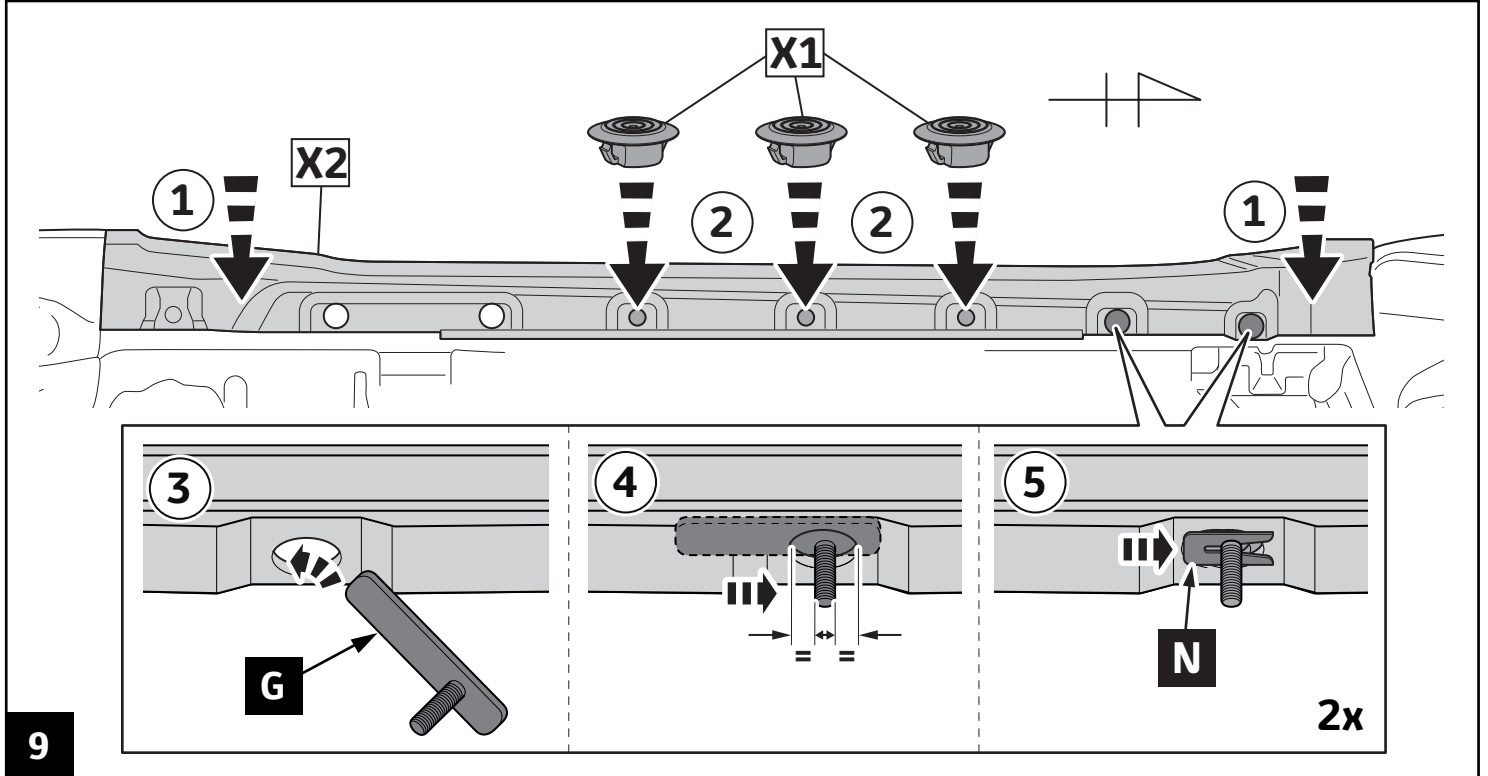
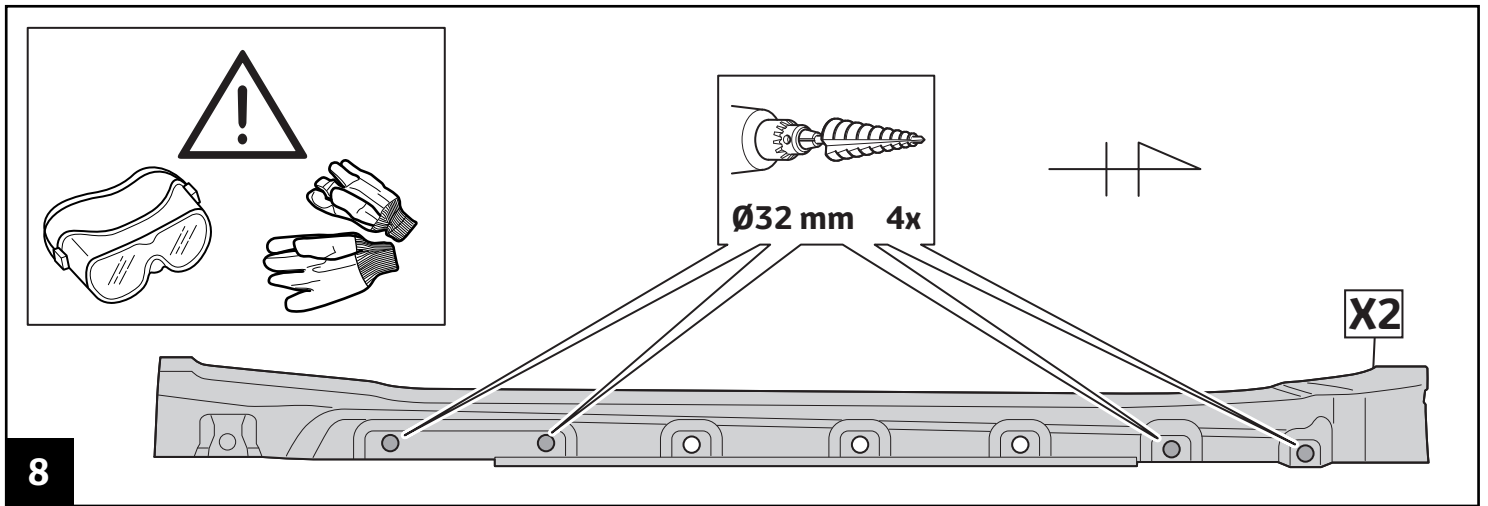
5

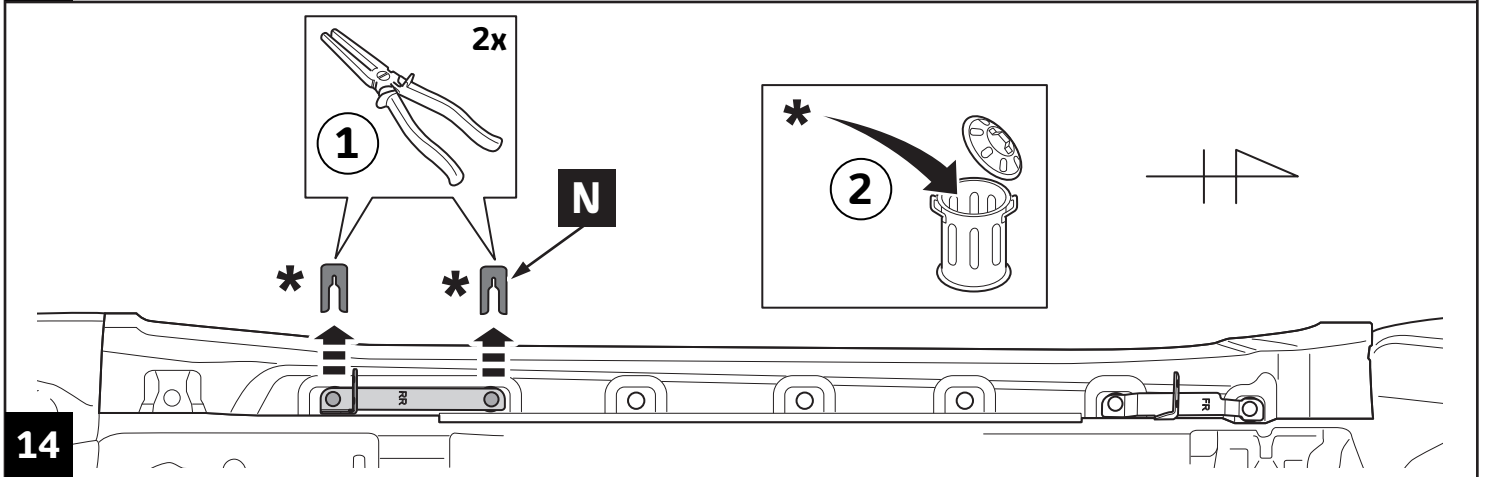
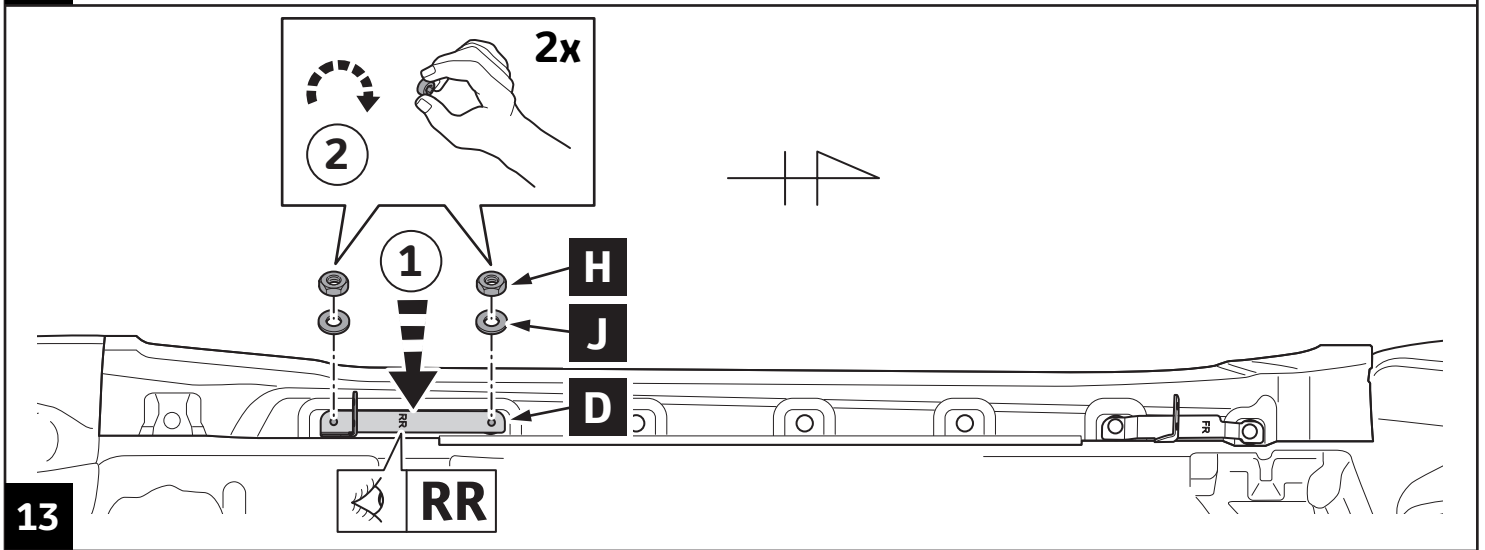
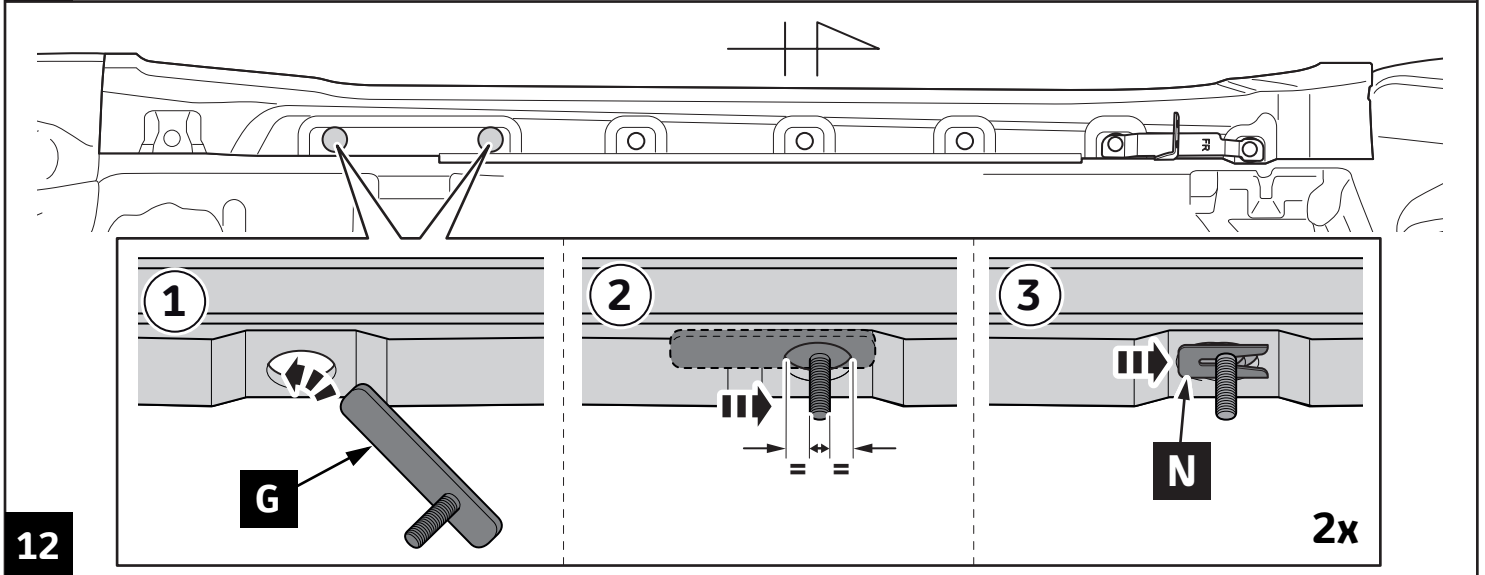
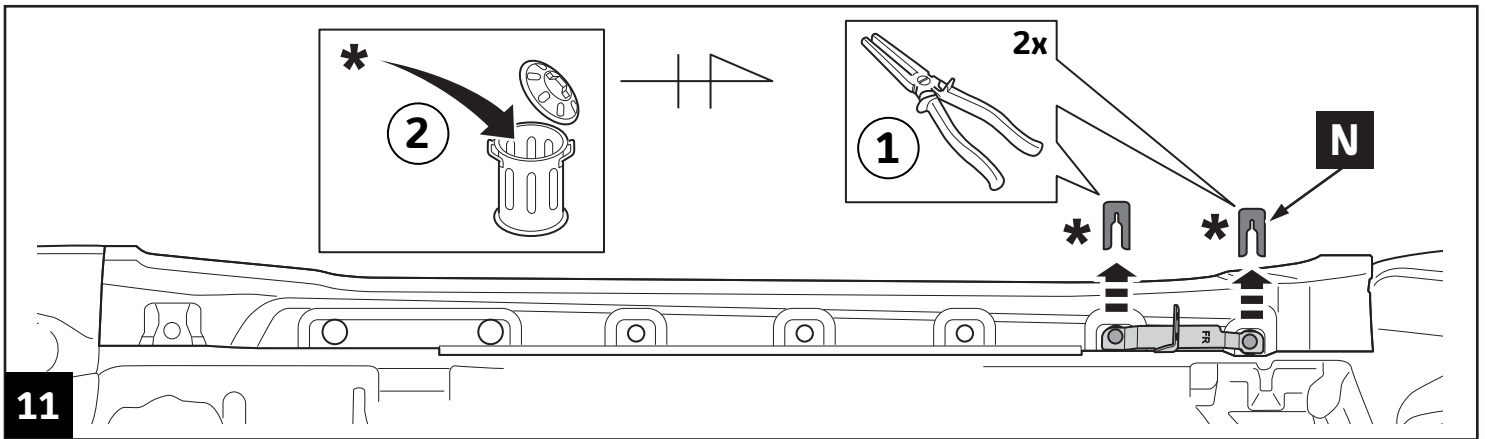


6

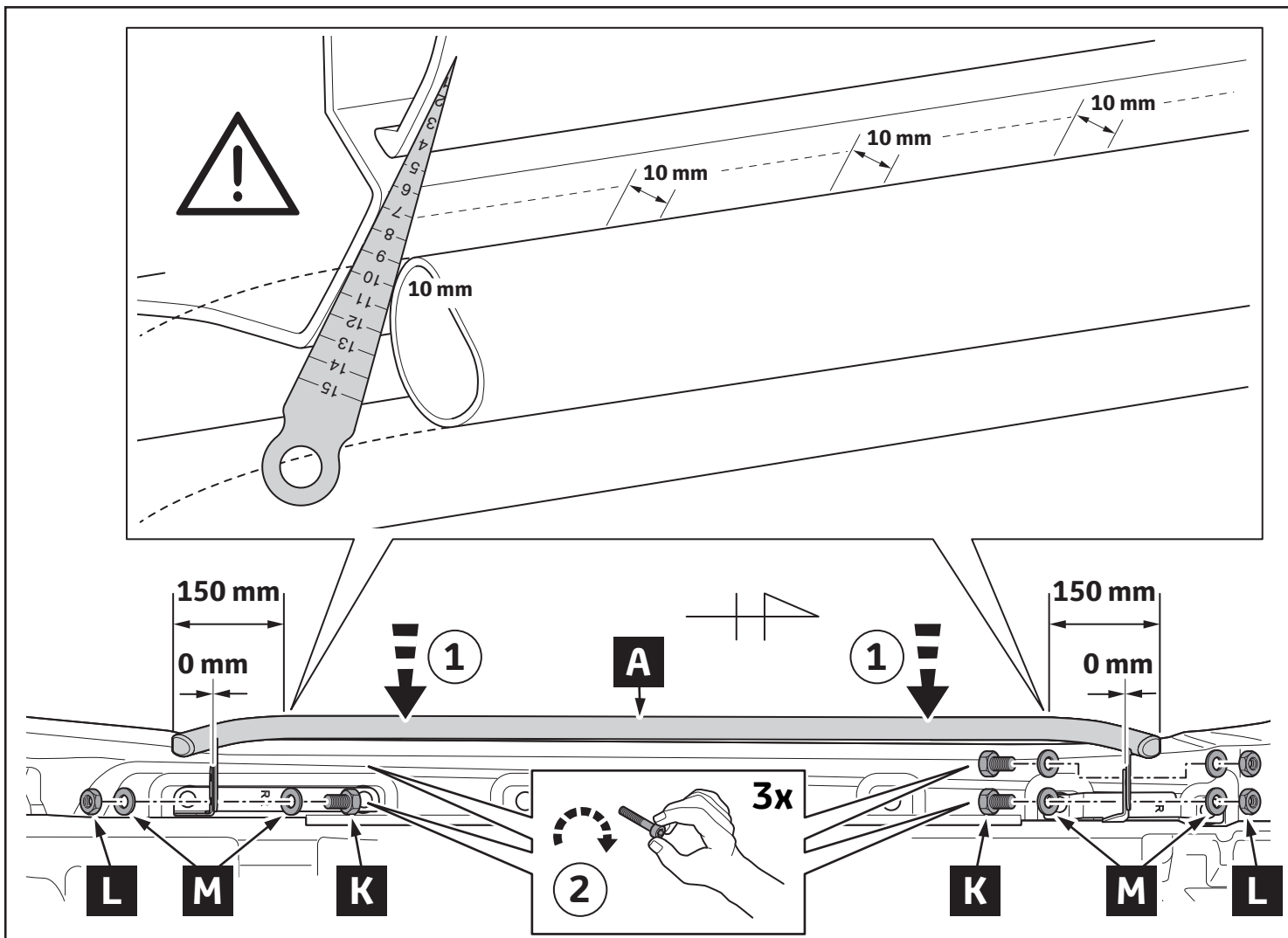


7

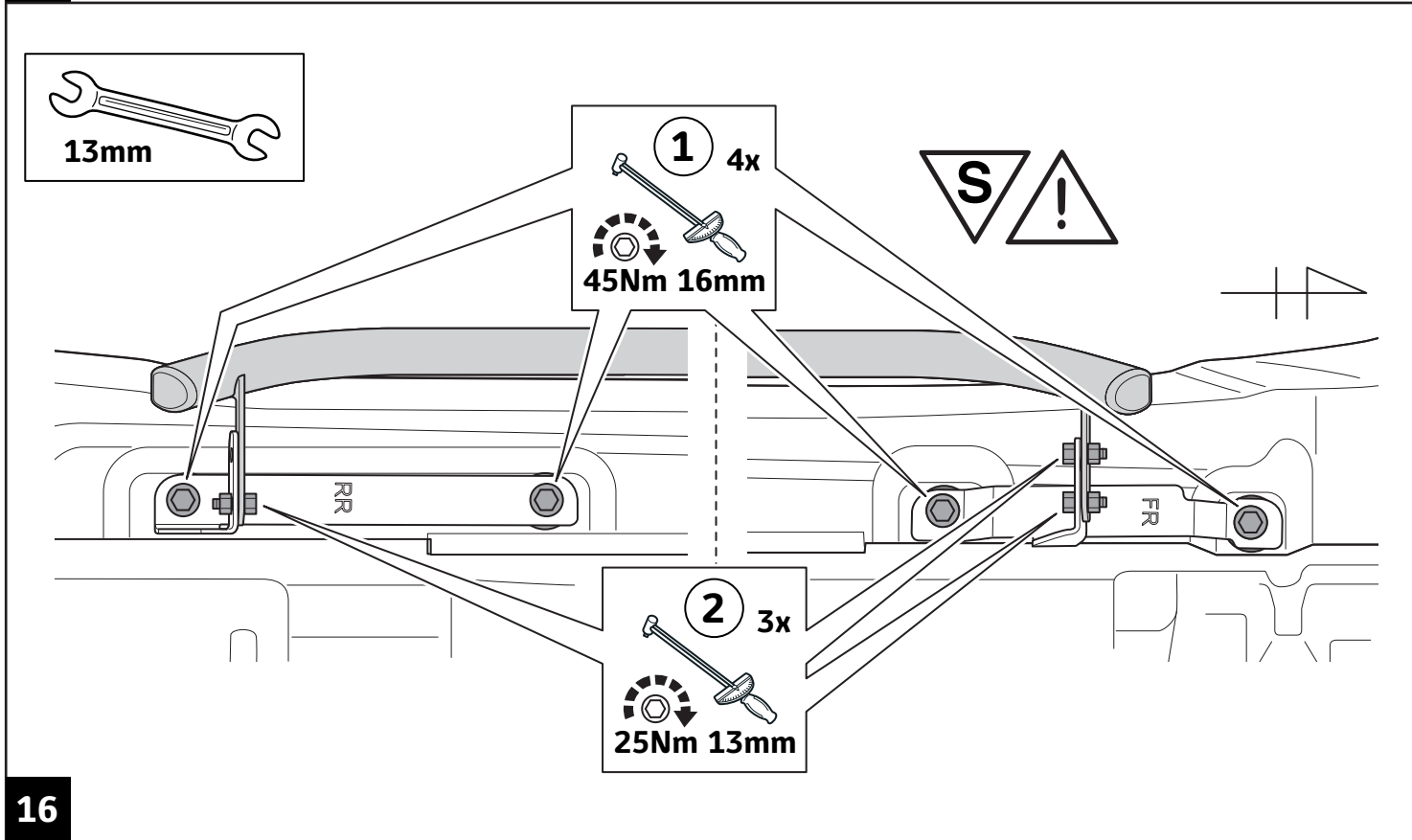






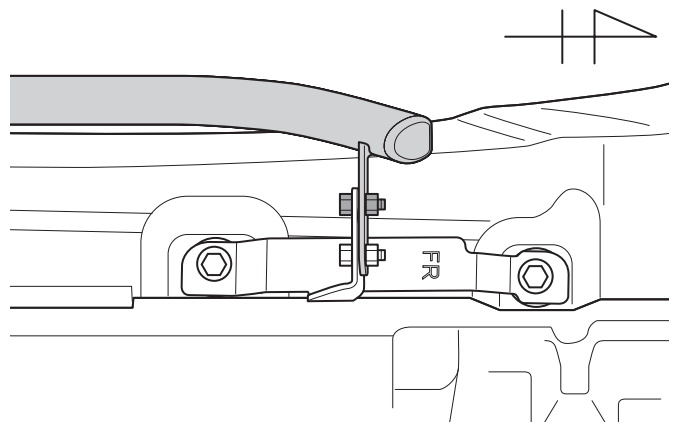
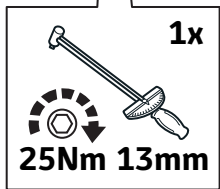
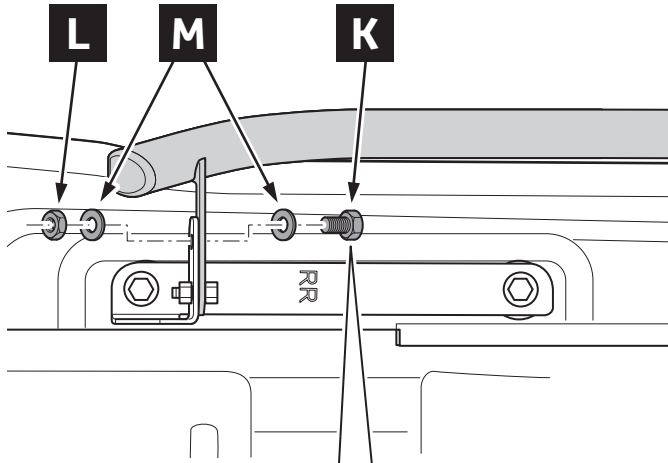
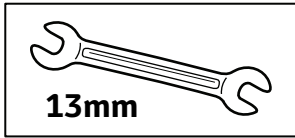


15



16





17

Fig.1 - Fig.17

**RHS**

**=**

Fig.1 - Fig.17

**LHS**

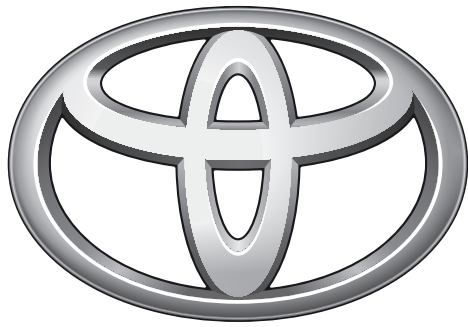
**B**

**A**

**E F**

**C D**

18



**TOYOTA**

# CHECK SHEET Page 1 of 1



**TOYOTA**

**Model / Year** Toyota C-HR  
2016/10, 2019/10

**Side bars**

**VIN n°**

ALWAYS A BETTER WAY

**P/N = OK**

**Serial Number**

**45 Nm** 4x

**Serial Number**

**25 Nm** 4x

**A B**

**LHS RHS**

**10 mm**

**10 mm**

**LHS RHS**

**= OK**

**Installation Date:**  
... / ... / ...

**Technician Name & Signature:**

**Stamp:**