



TOYOTA

ALWAYS A
BETTER WAY

AYGO

Mud flaps rear

Installation Instructions

Model year: 2014/05, 2018/05

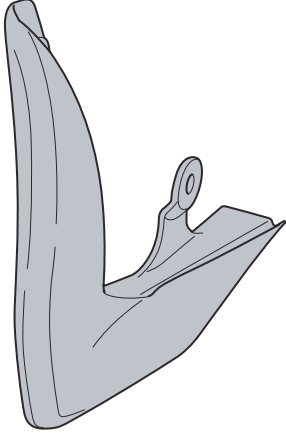
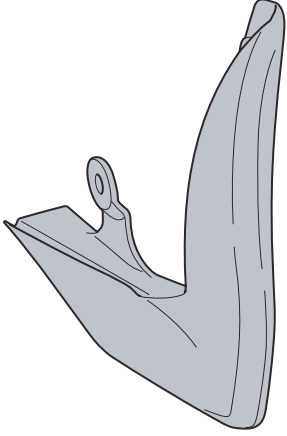

Vehicle code: **B40**-A***KW

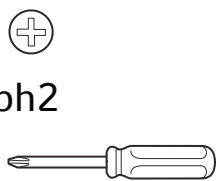
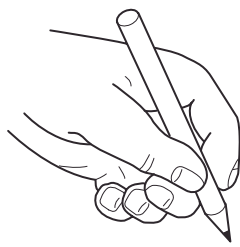
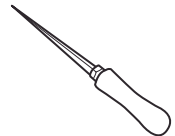

Part number: PZ416-90962-00

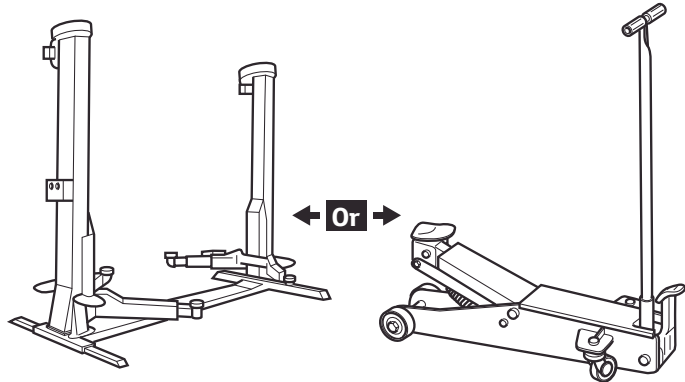





Manual reference number: AIM 003 169-3

Revision record

Rev. No.	Date	Page	Picture	Update	New	Deleted steps
1	25-06-14	1, 2		Part number		
2	04-07-14	6, 7	11, CS	X		
3	02-01-18	1, 2, 4, 7	Tools, 4	Model year		

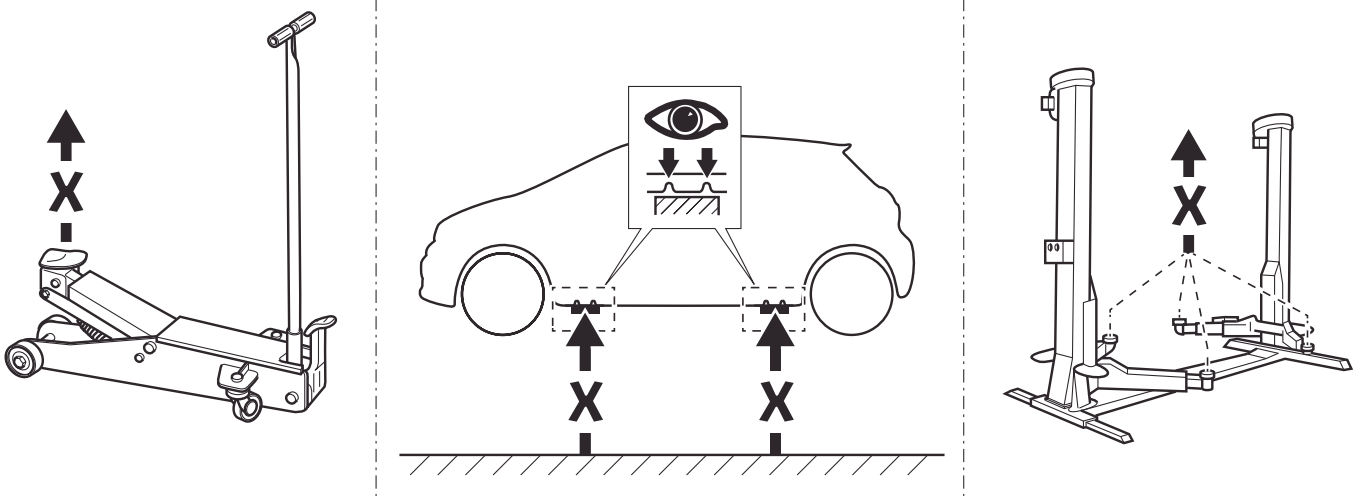
<p>A</p> <p style="text-align: center;">PZ416-90962-00</p> <div style="display: flex; justify-content: space-around; align-items: center;"> <div style="text-align: center;">  <p>LHS</p> <p>1x</p> </div> <div style="text-align: center;">  <p>RHS</p> <p>1x</p> </div> </div>	<p>B</p> <div style="text-align: center;">  <p>4x</p> </div>
---	---

 <p>ph2</p>			 <p>Ø 2mm</p>
--	---	---	--

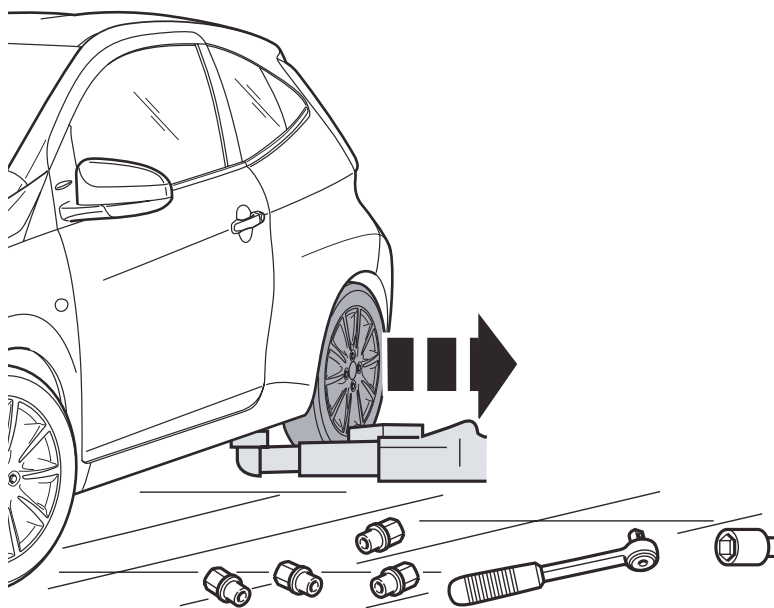
			
			



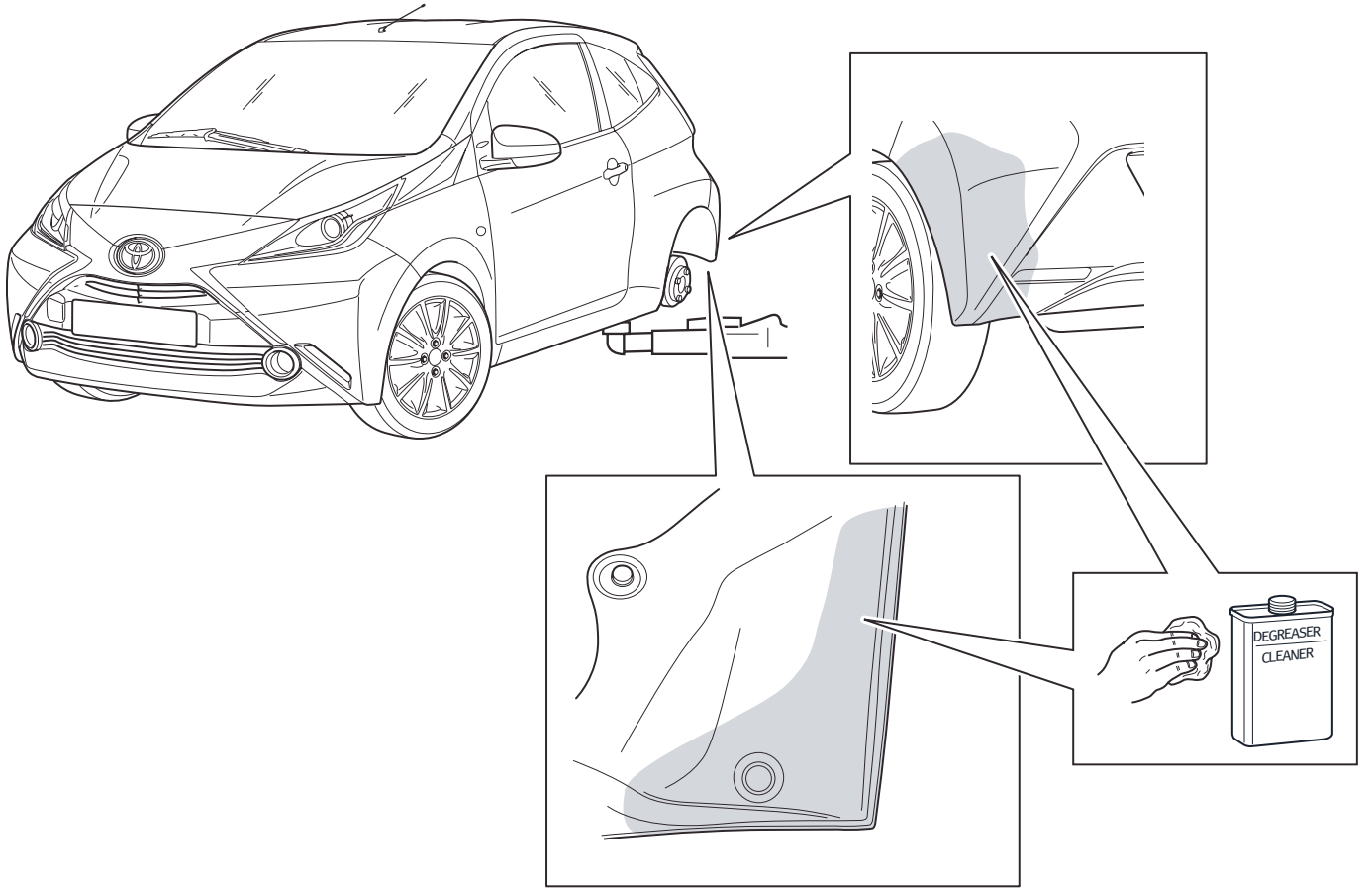
1



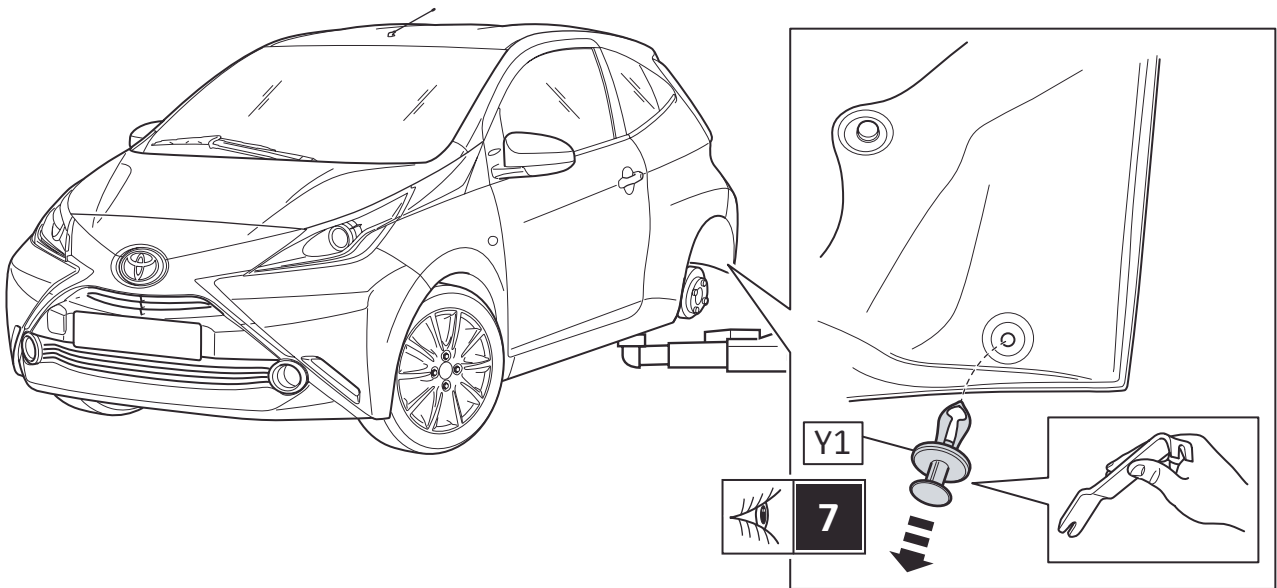
2



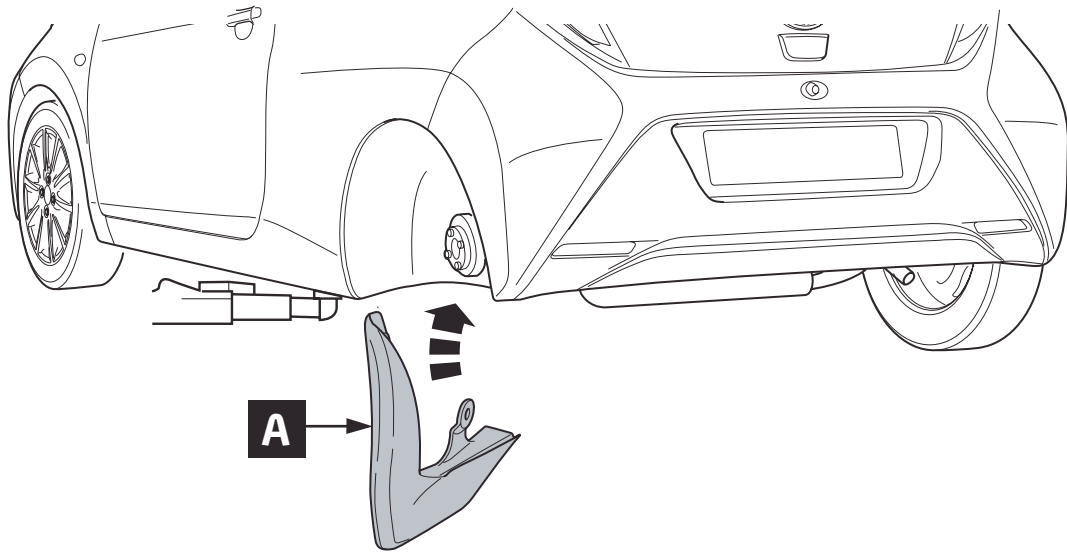
3



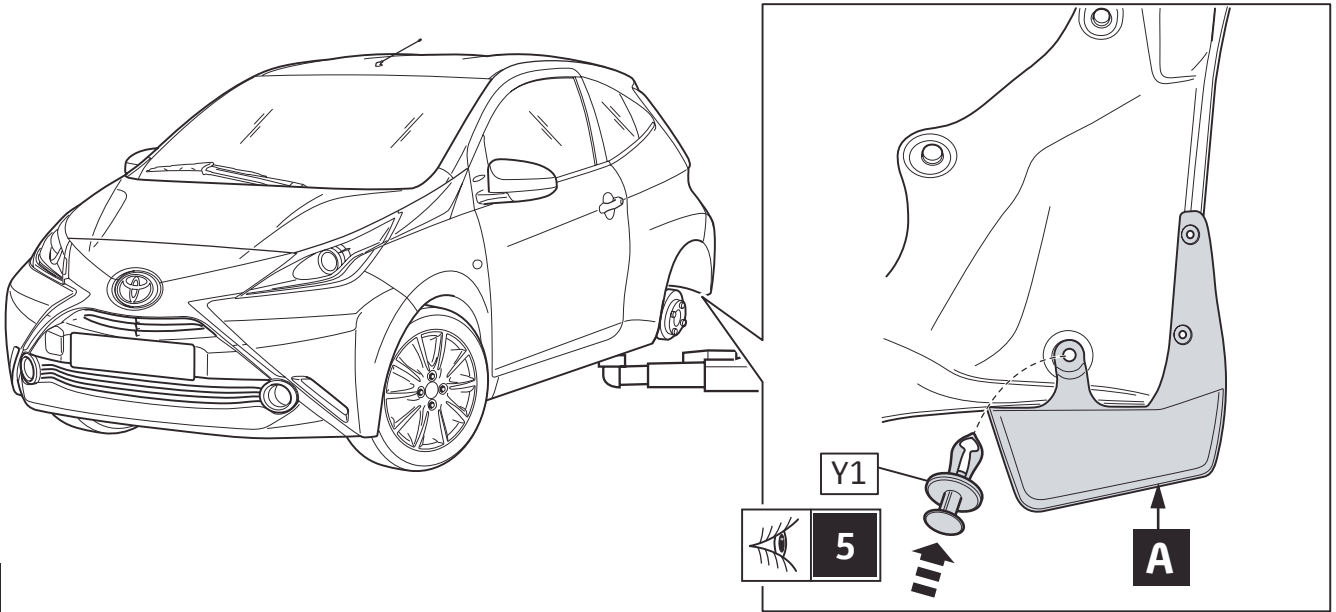
4



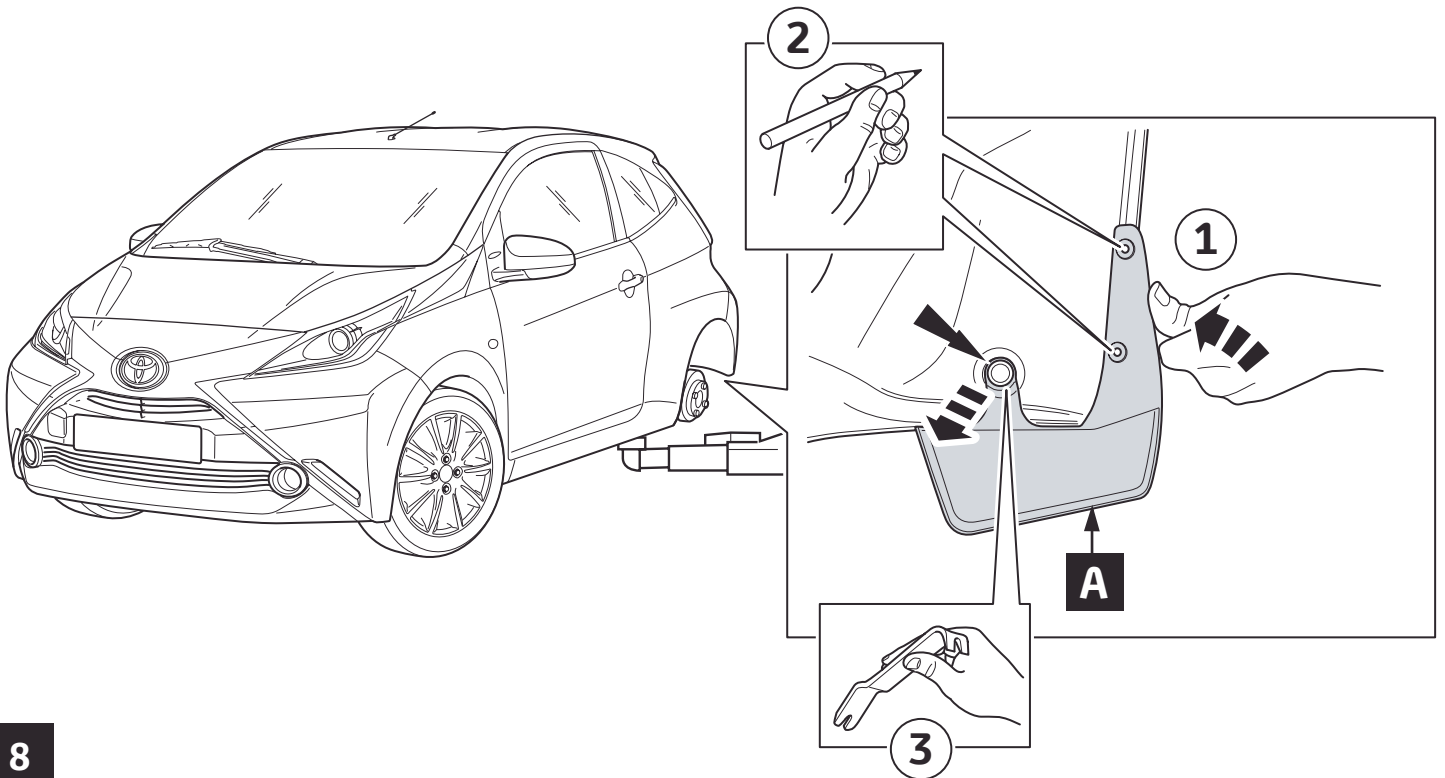
5



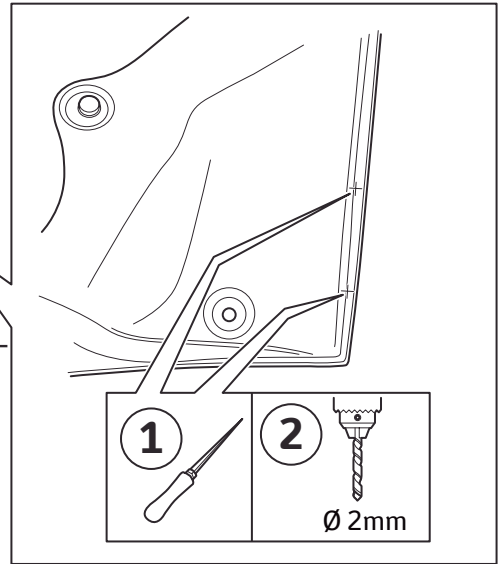
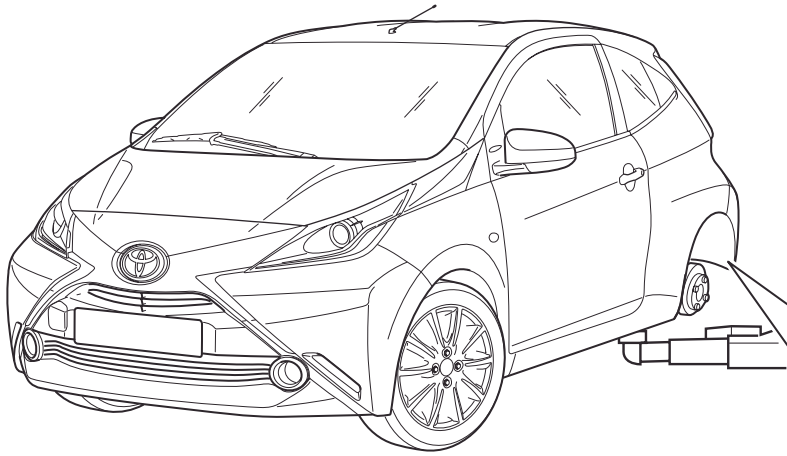
6



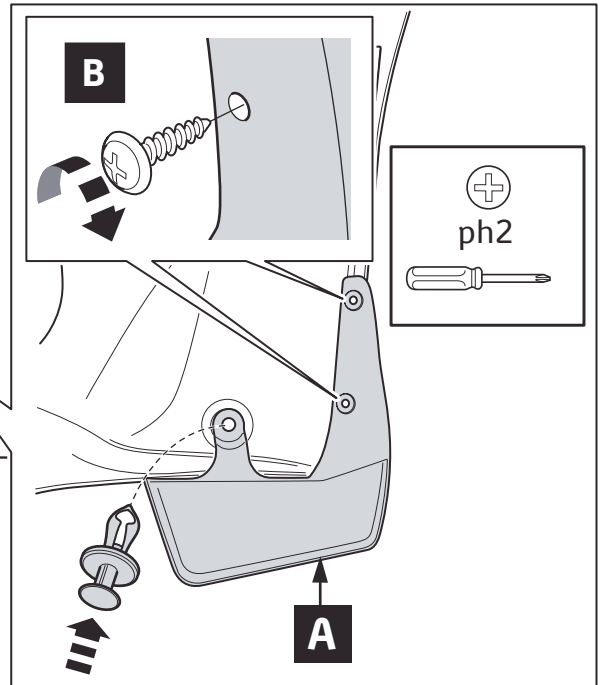
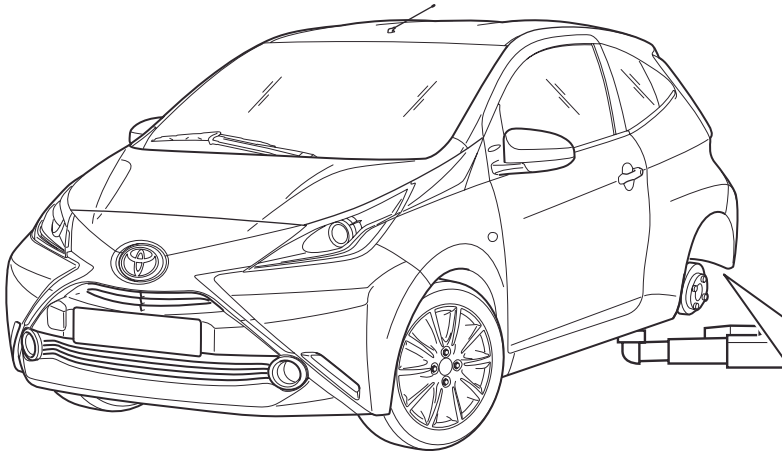
7



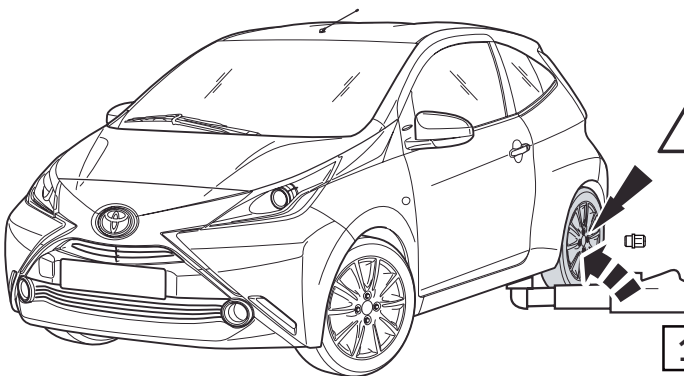
8



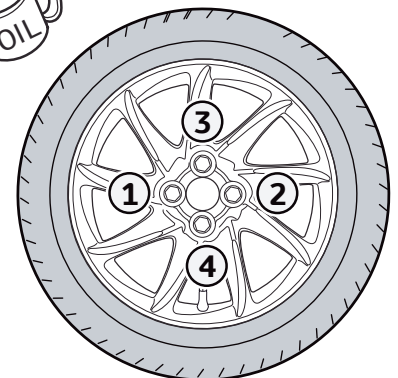
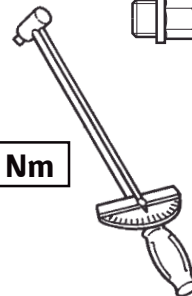
9



10



103 Nm



11

CHECK SHEET



TOYOTA

Model / Year

AYGO

Mud flaps rear

2014/05, 2018/05

ALWAYS A BETTER WAY

VIN n°

P/N = OK

=A
 =B

Serial Number

103 Nm A B

= OK

Installation Date:

... / ... / ...

Technician Name & Signature :

Stamp: