

Yaris Cross

Rear skirt

Installation Instructions

Model year: as from 2021/05

Vehicle code: MX**1**-BH**BW

Part number: PW158-0D100-**

Manual reference number: AIM 005 046-0

Revision Record

Rev. No.	Date	Page	Step	Remarks

PW158-0D100-**

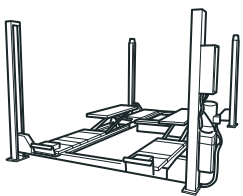


1x

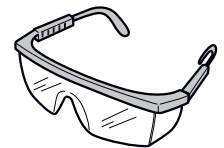
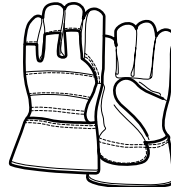
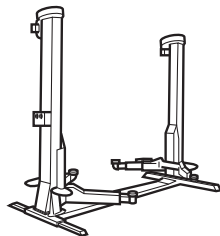


C 90467-05170

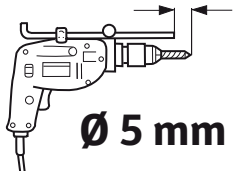
16x



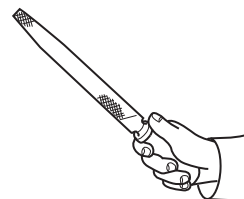
← Or →




**Cobalt Drill bit
MAX. 5 mm**



**Masking
tape**

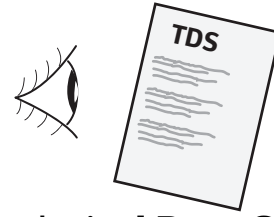


 **AIM 003-516-***

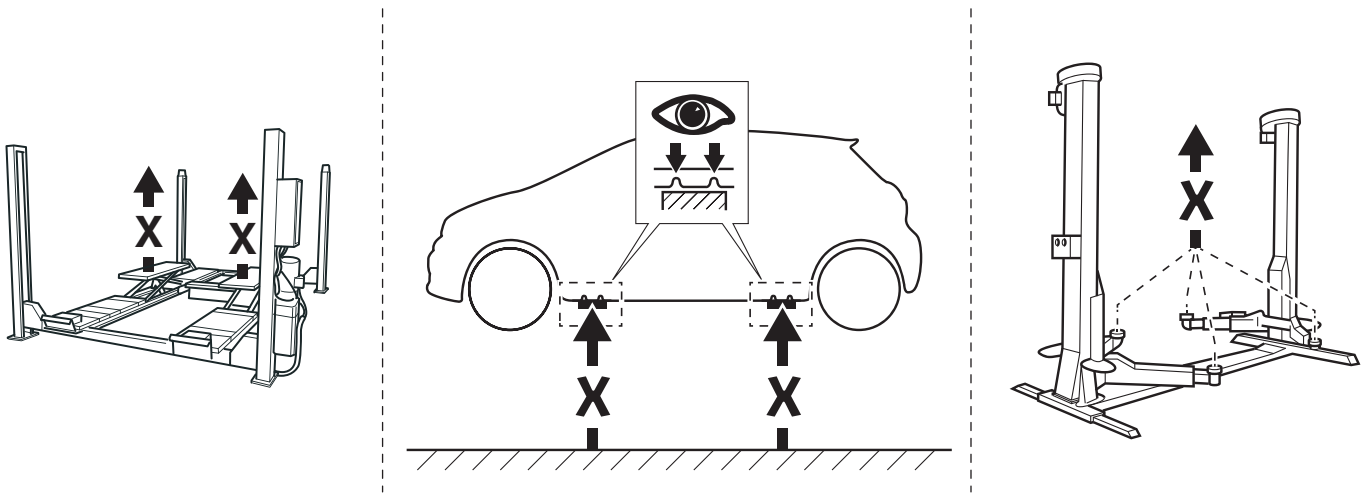
INFO



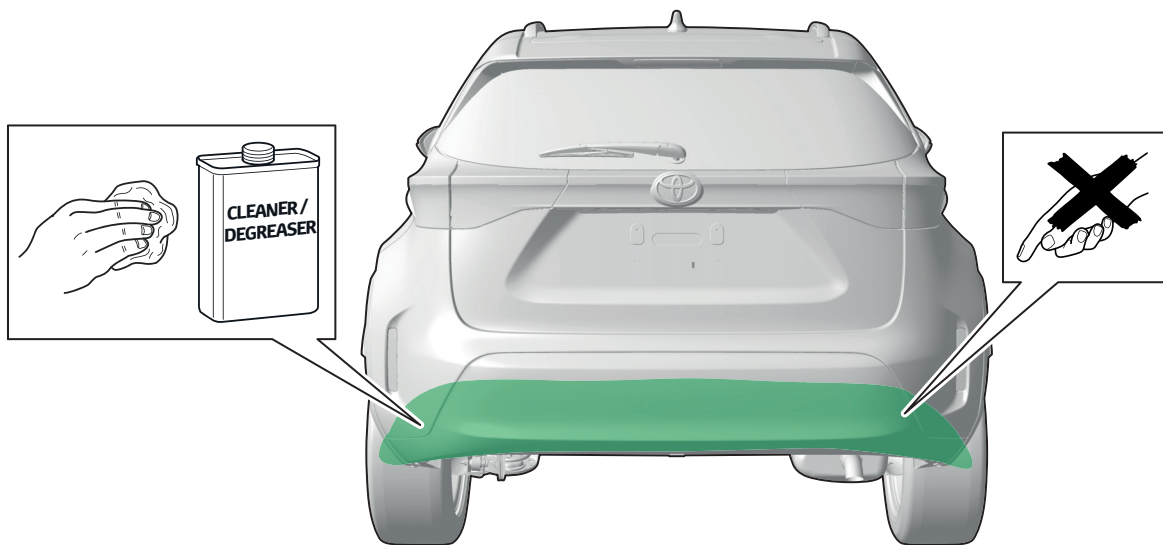
Material Safety Data Sheet



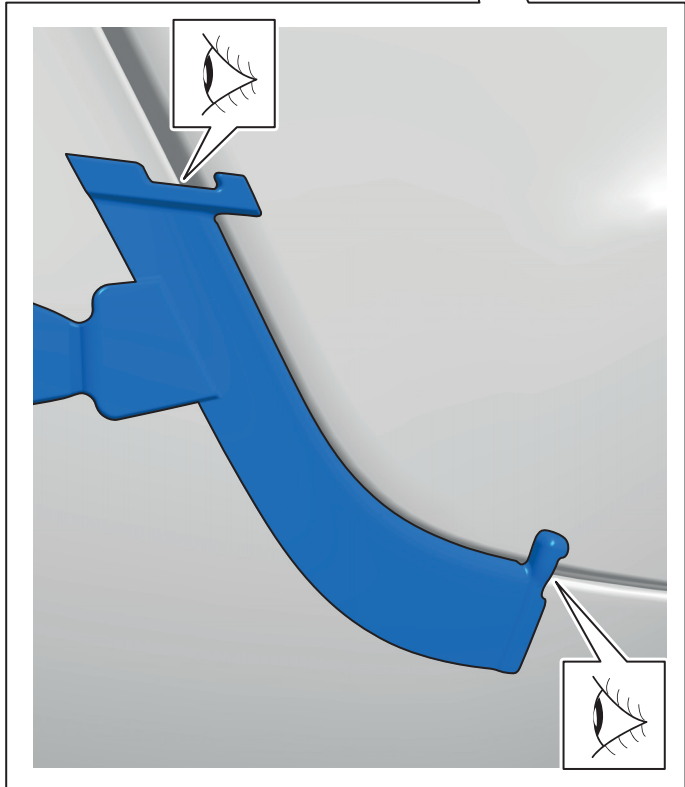
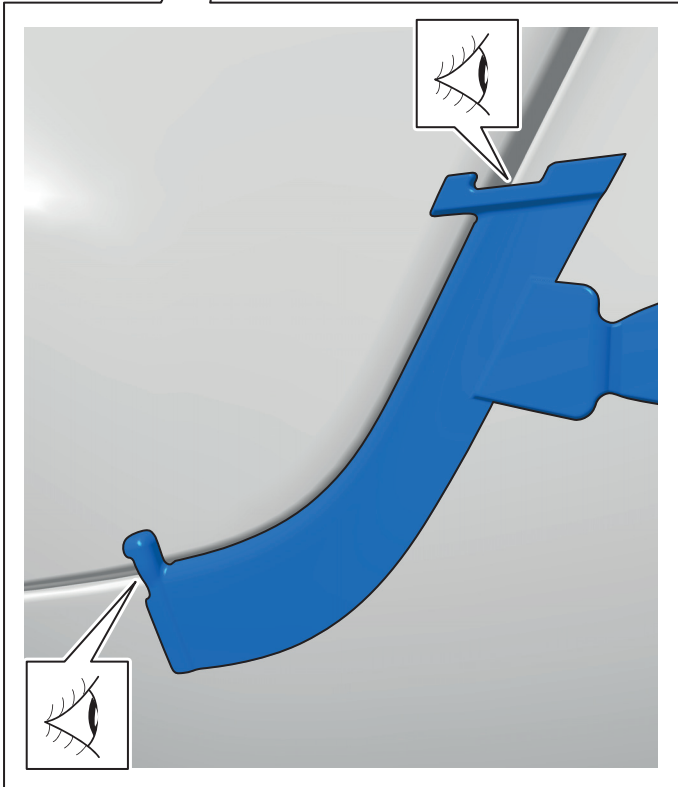
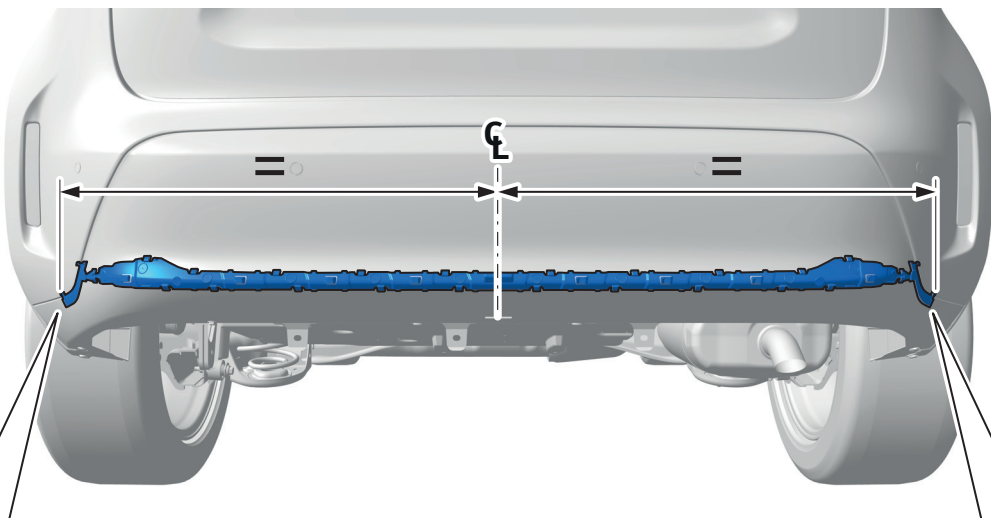
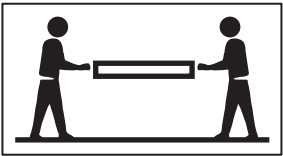
Technical Data Sheet



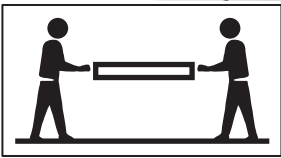
1



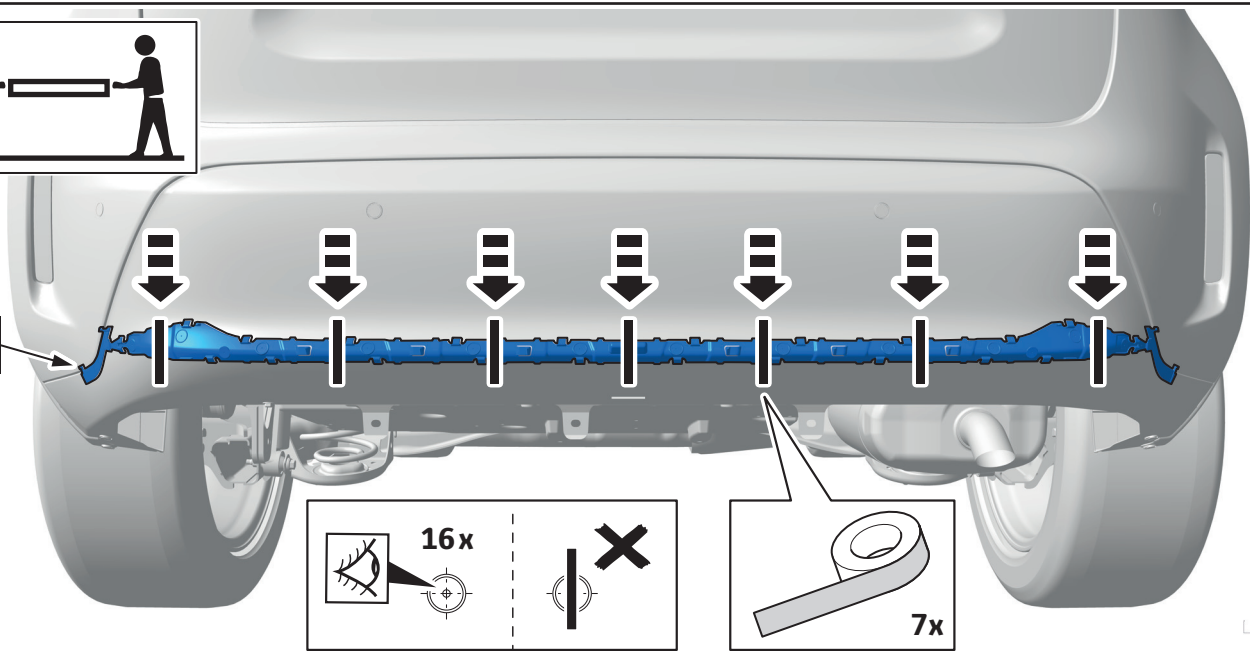
2



3

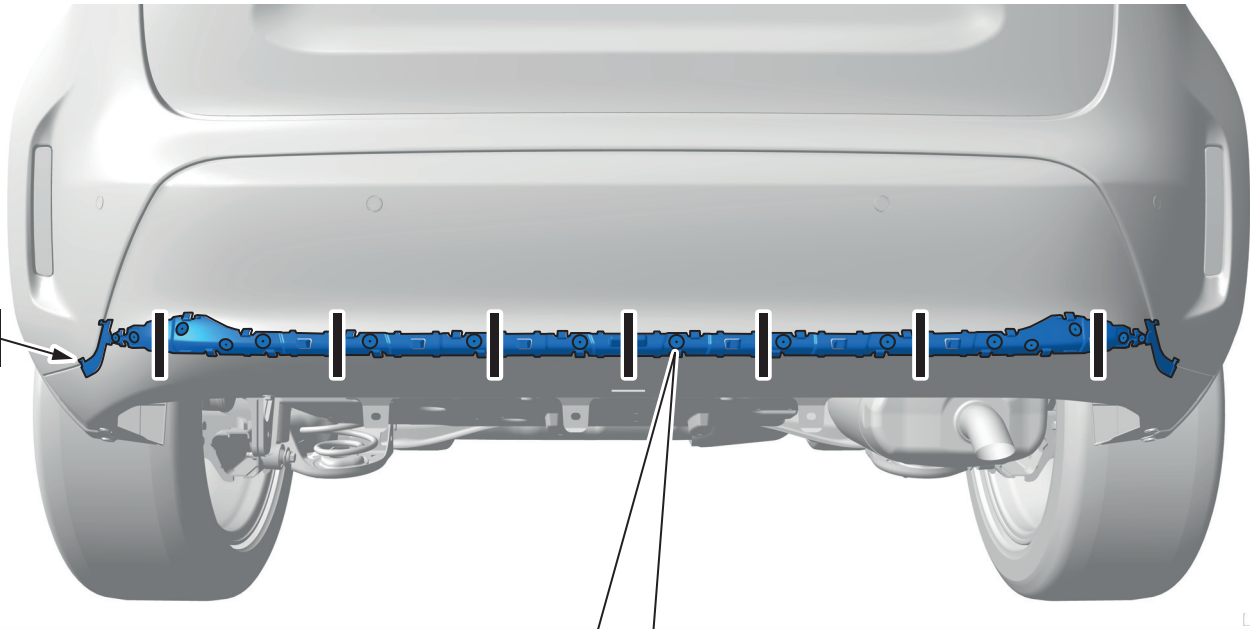


B



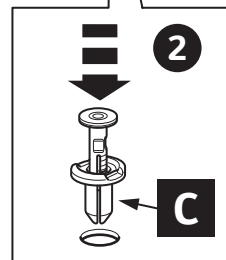
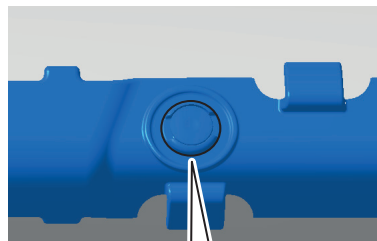
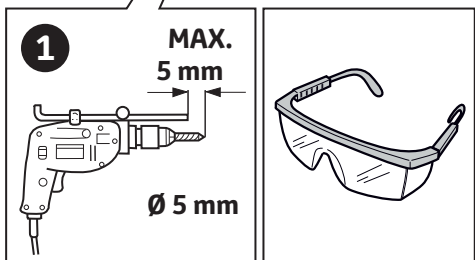
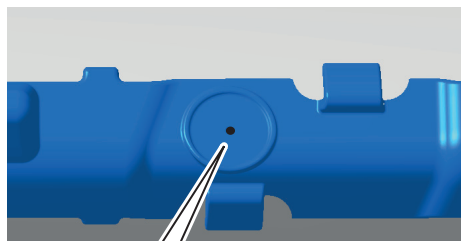
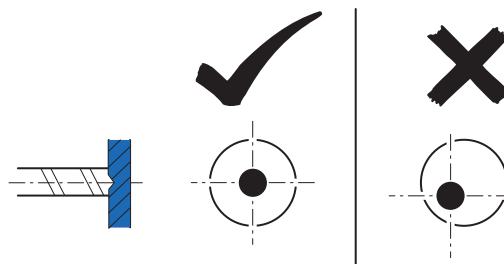
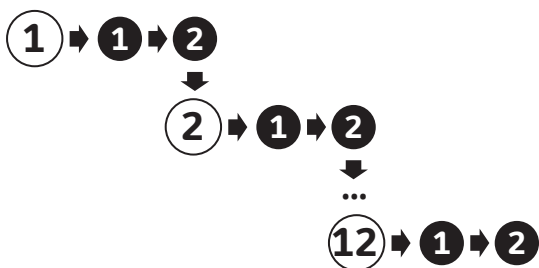
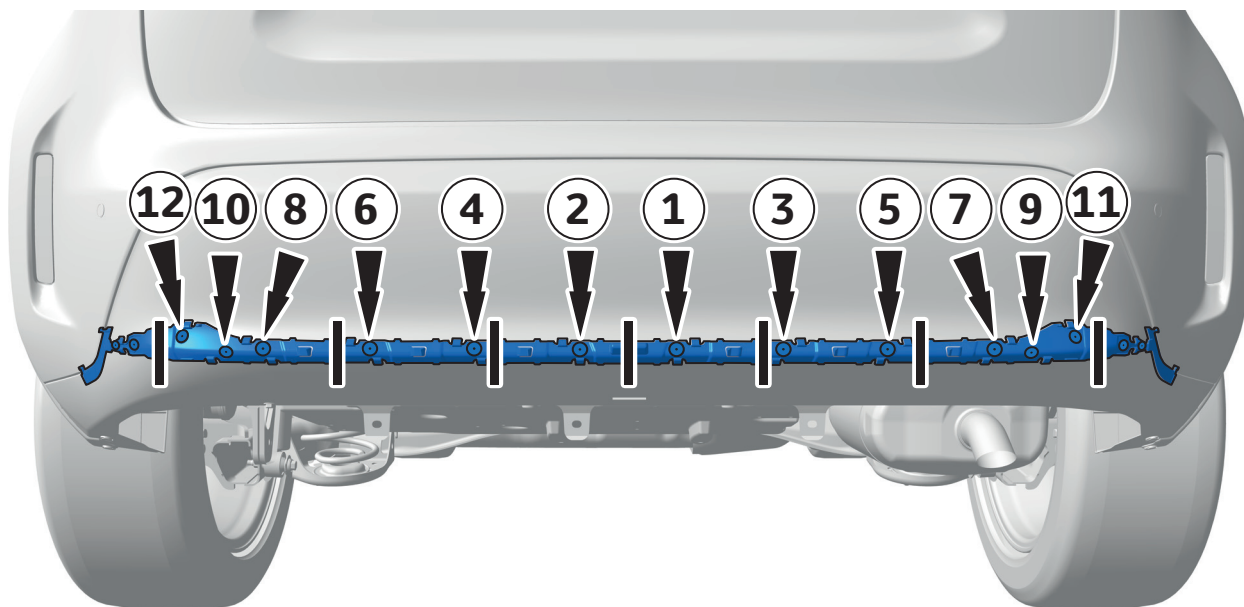
4

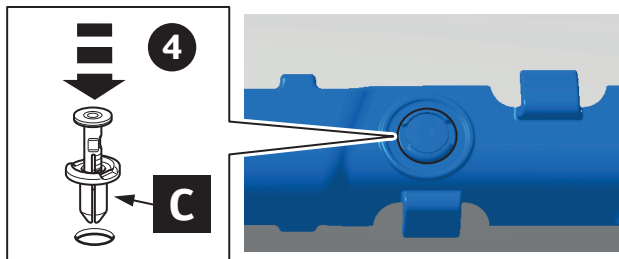
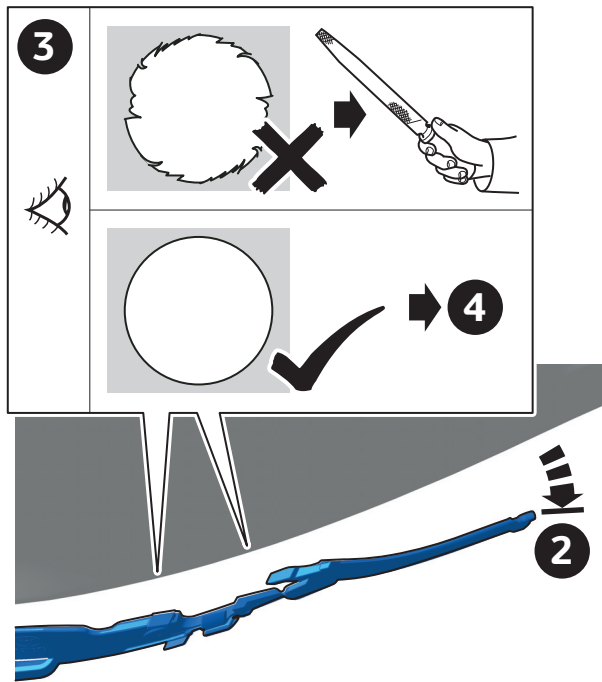
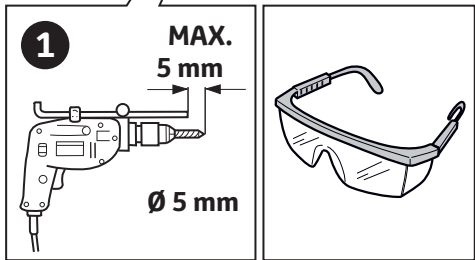
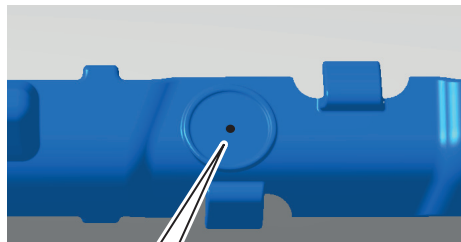
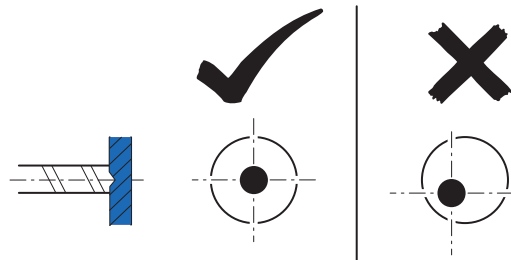
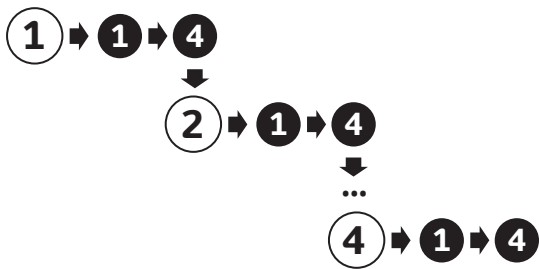
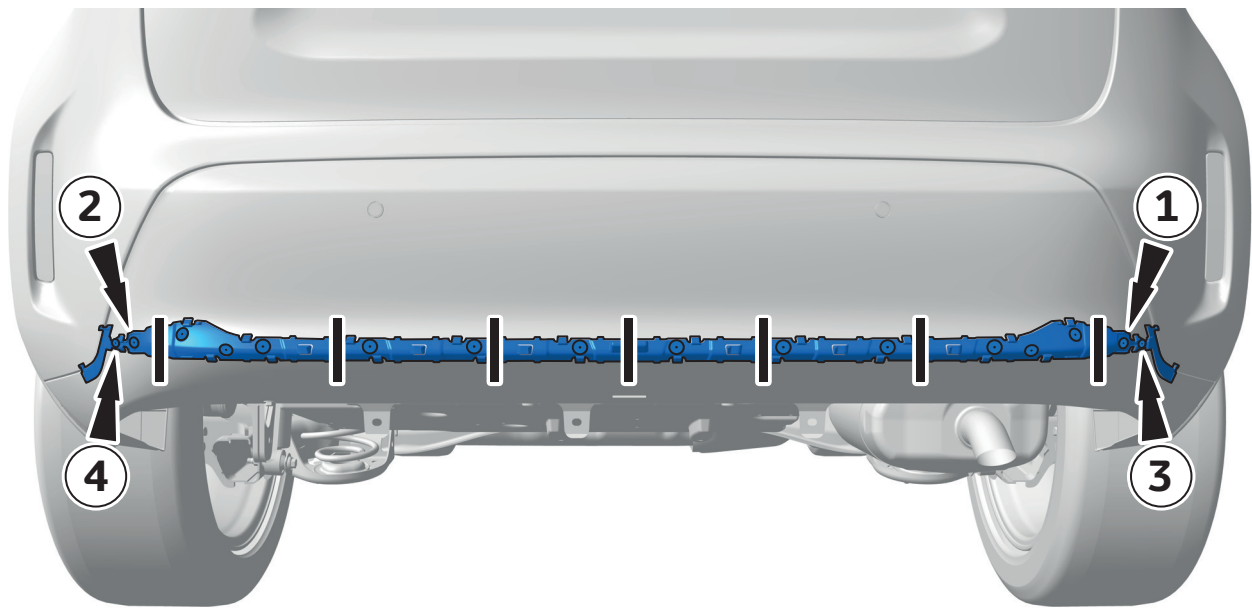
B

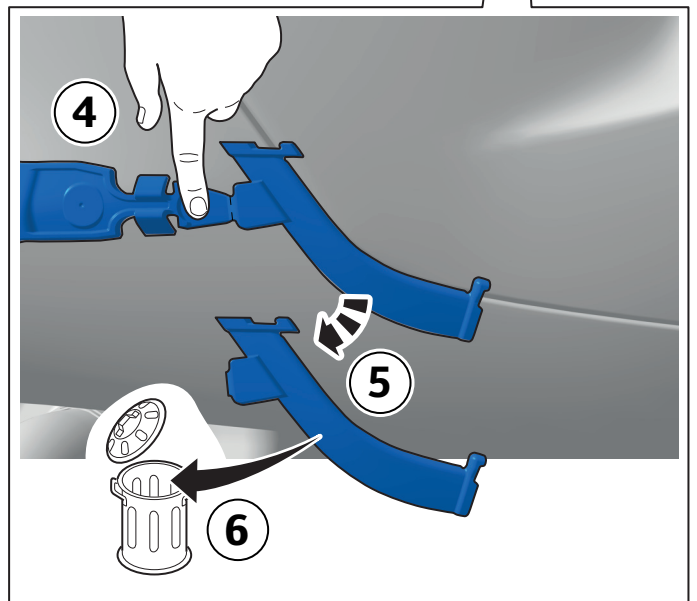
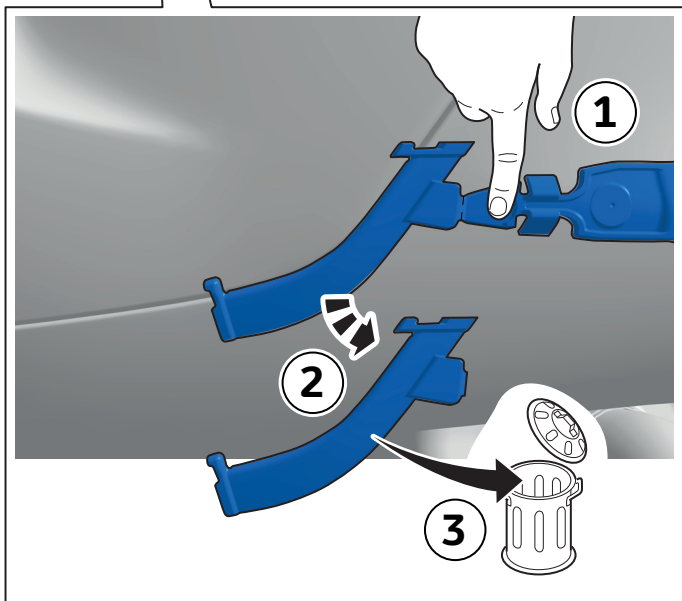
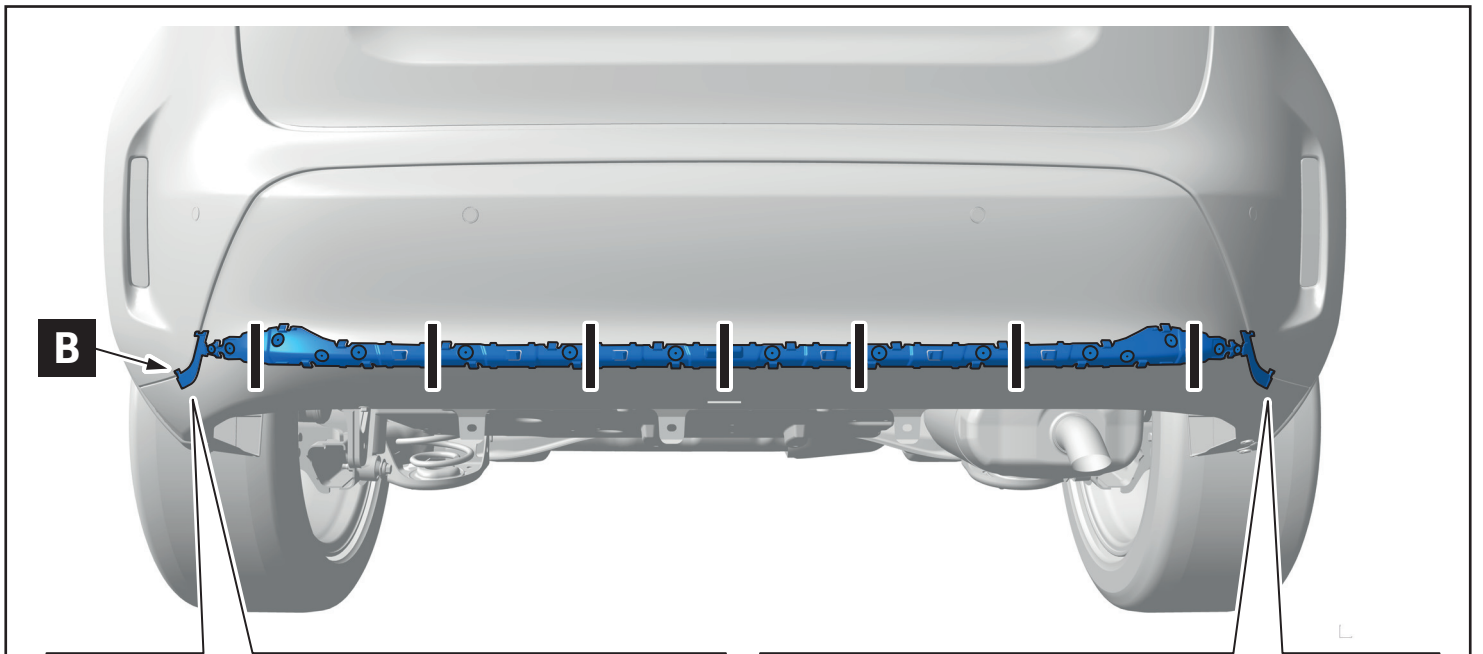


<p>1</p> <p>MAX. 5 mm</p> <p>Ø 5 mm</p>		<p>1</p> <p>C</p>

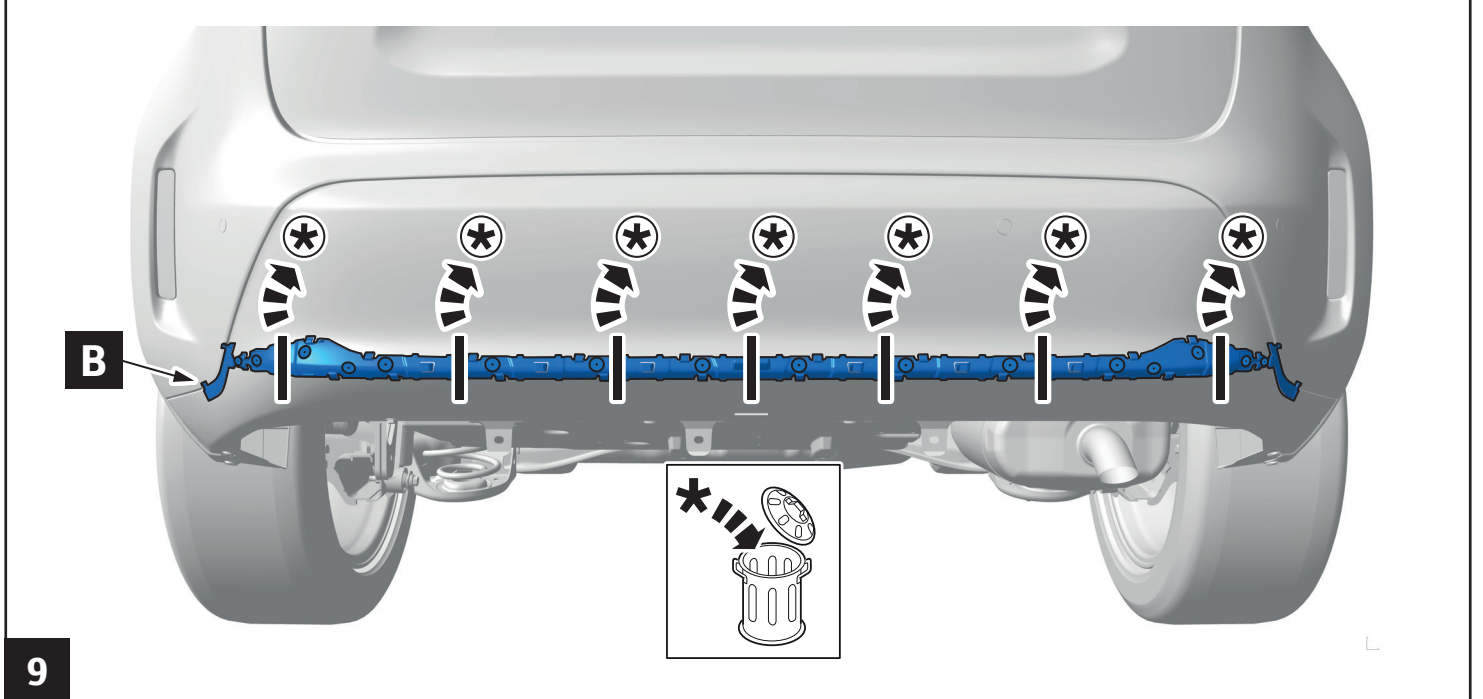
5



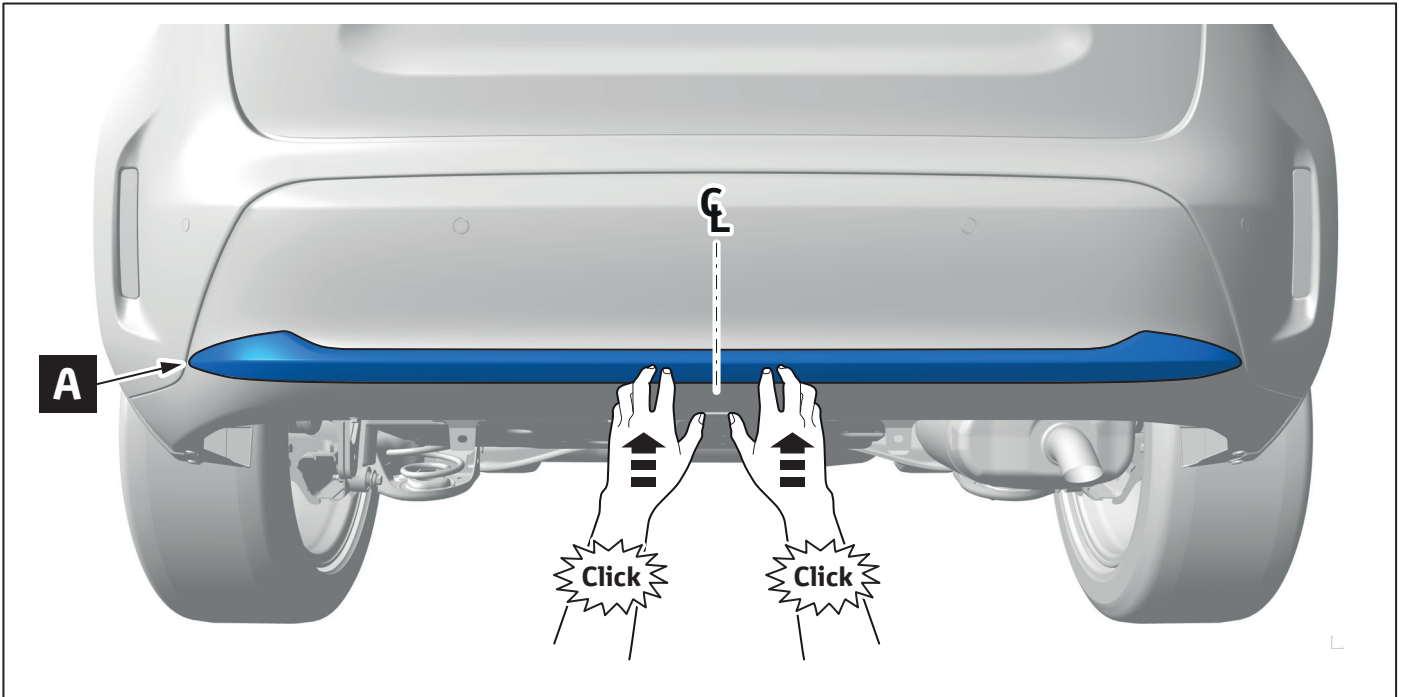




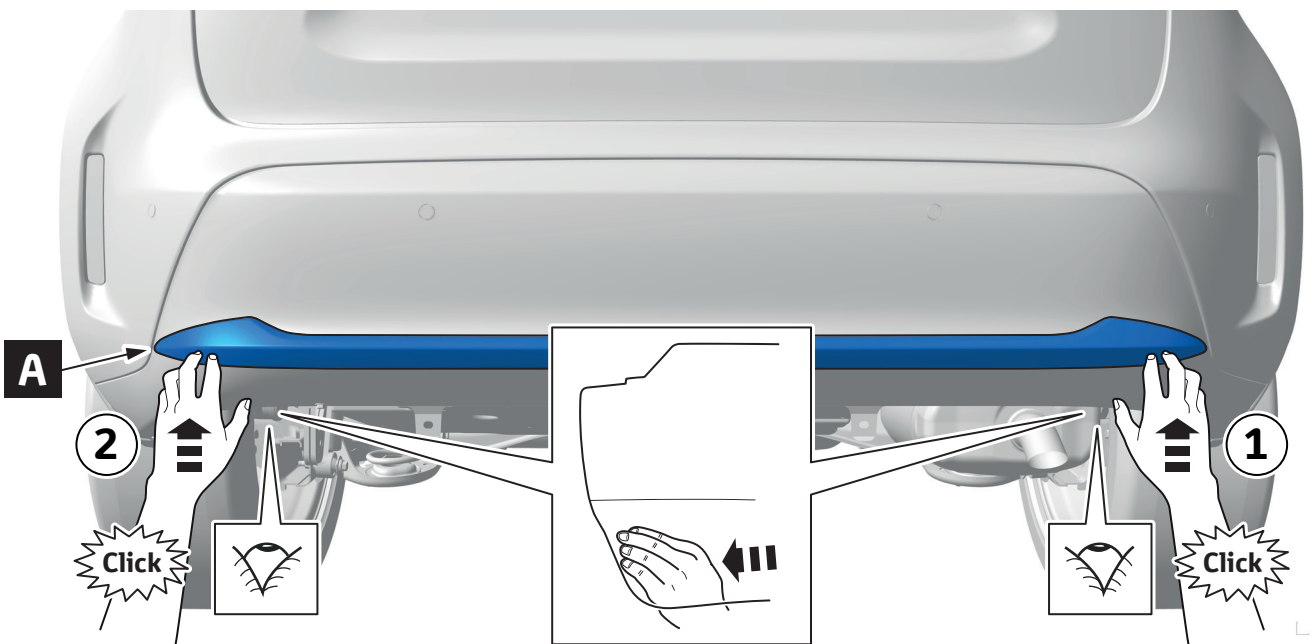
8



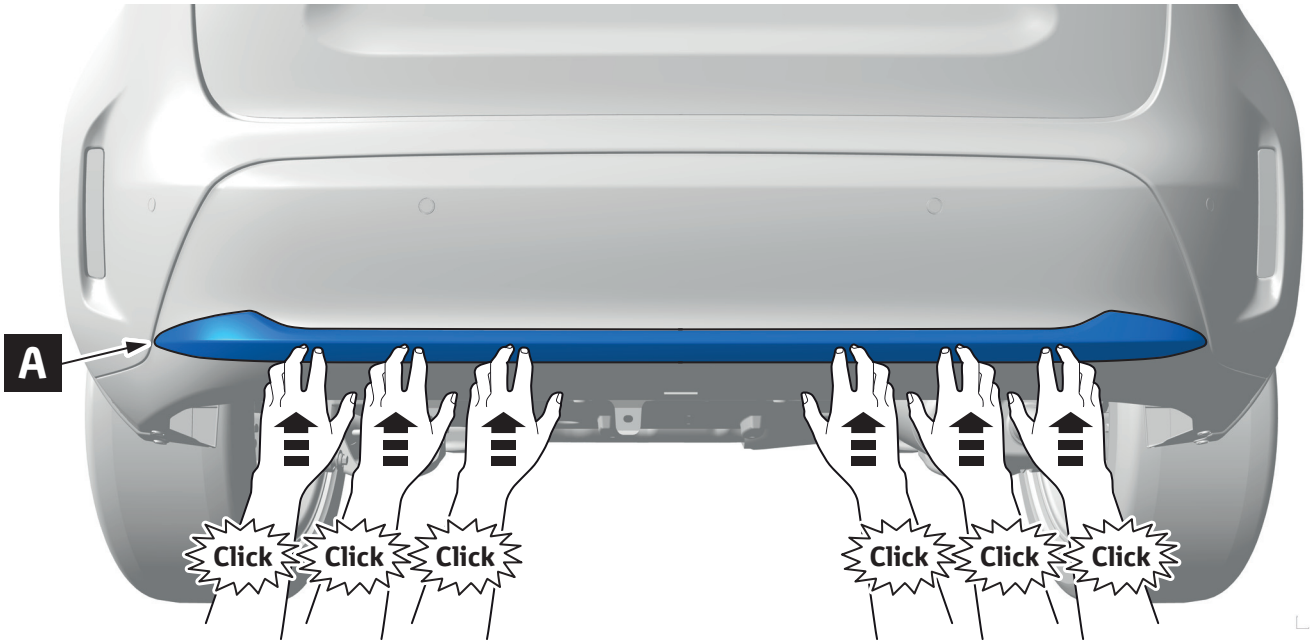
9



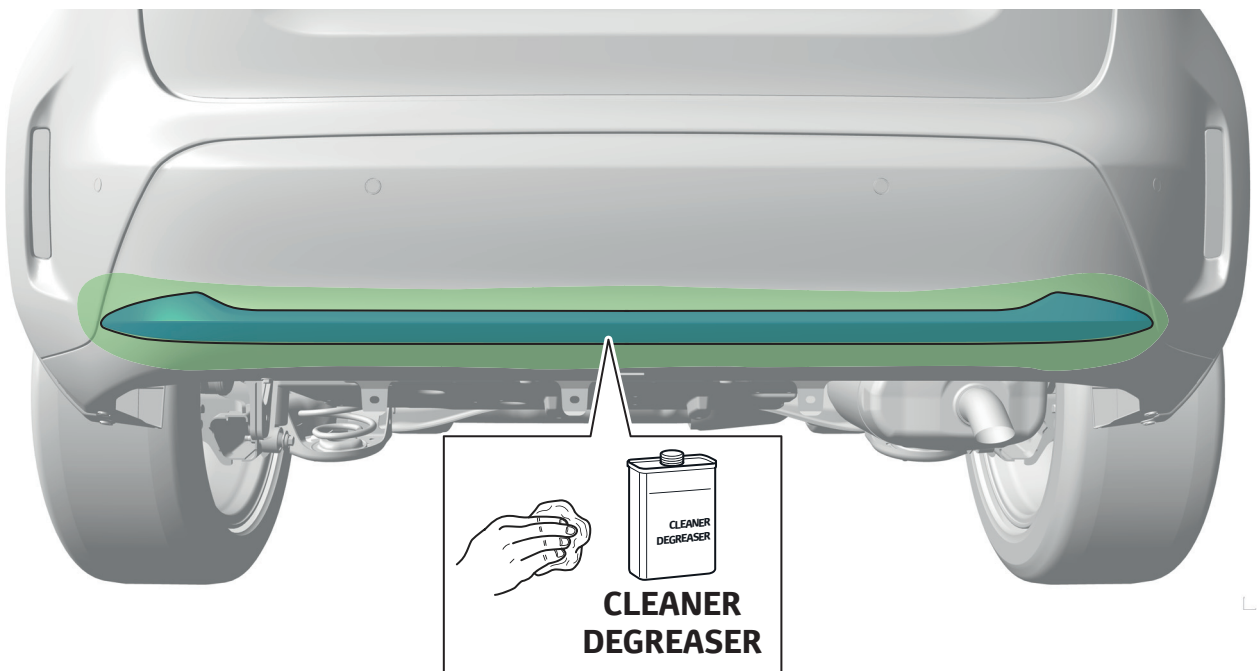
10



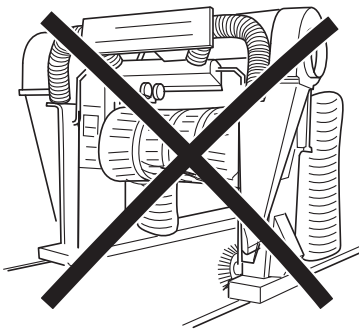
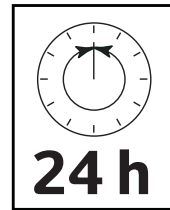
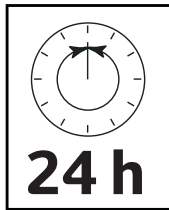
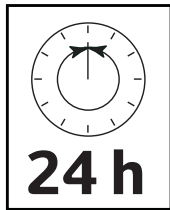
11



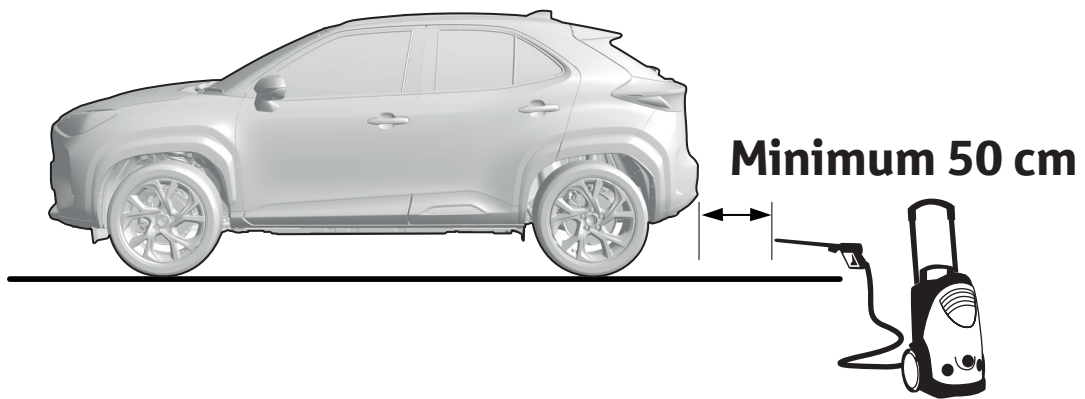
12



13



Max. 90 Km/h






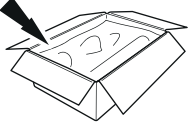
Model/Year Yaris Cross
as from 2021/05

Rear skirt

VINn°

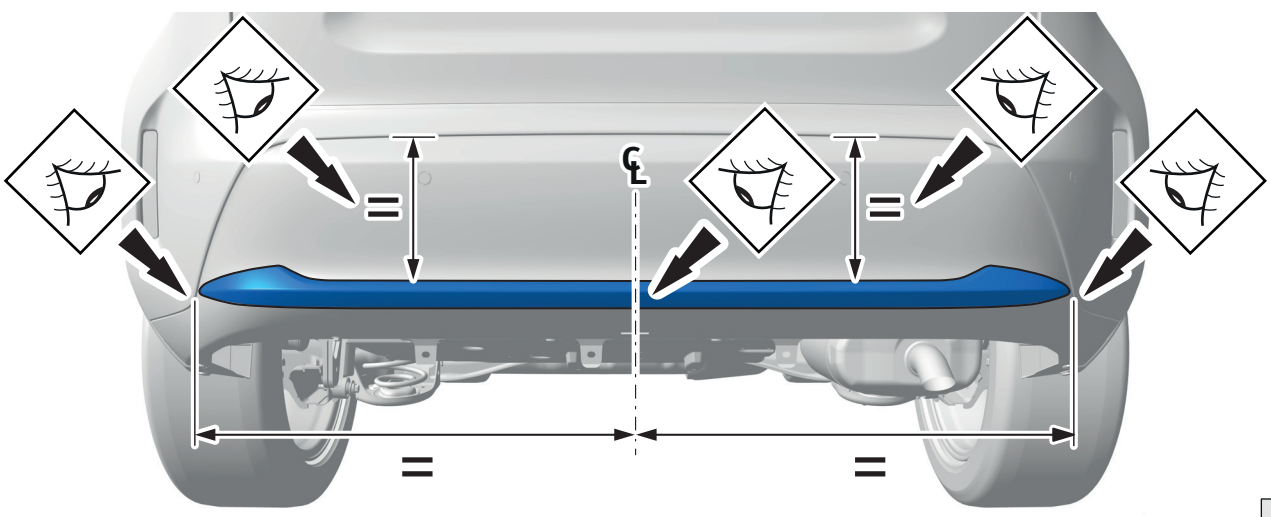
DURING INSTALLATION

 P/N = OK




1

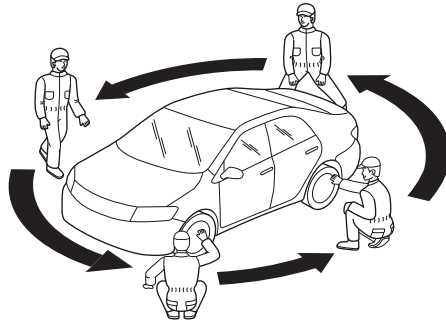
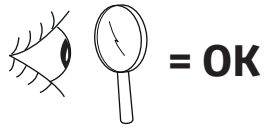
AFTER INSTALLATION



1



2



3

Installation Date:

.. / .. /

Technician Name & Signature:

Stamp: