



**TOYOTA**

ALWAYS A  
BETTER WAY

# Hilux

## Side steps (Double cab)

Installation instructions

Model year: As from 2015/04

Vehicle code: GUN1\*\*\*-D\*\*\*\*W

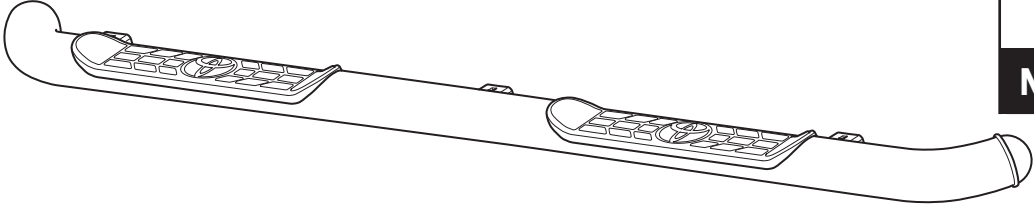

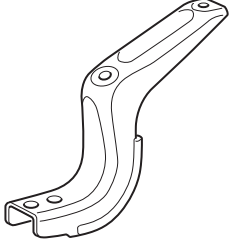
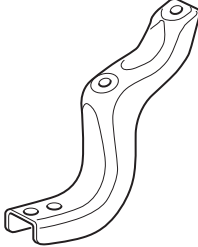
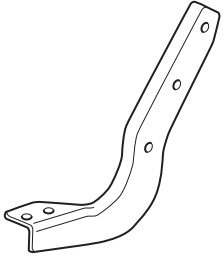
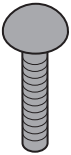

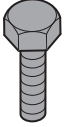

Part number: PW388-0K021 Side steps (stainless steel)

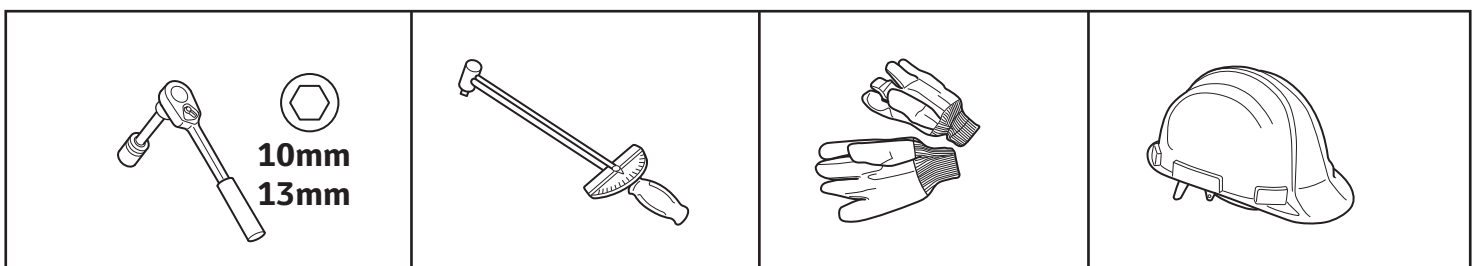
Manual reference number: AIM 005 045 - 0

# Revision Record

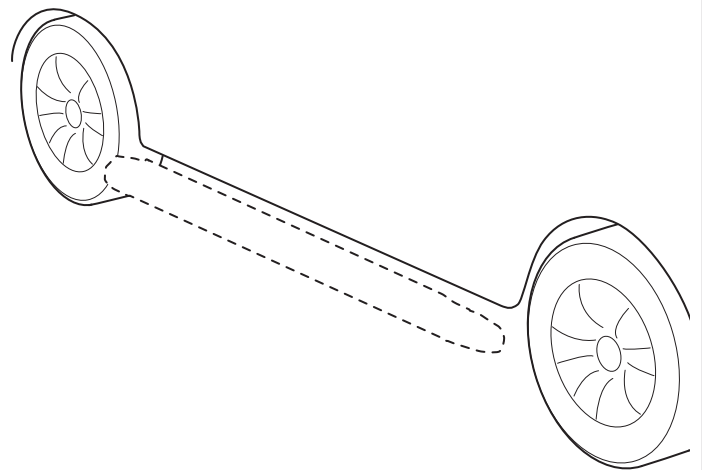
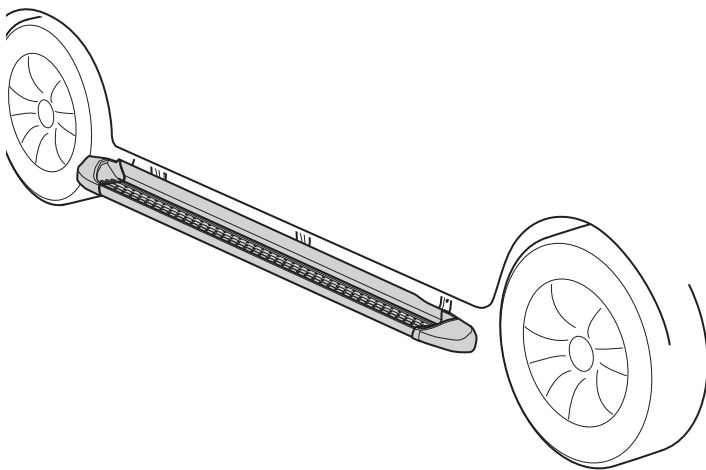
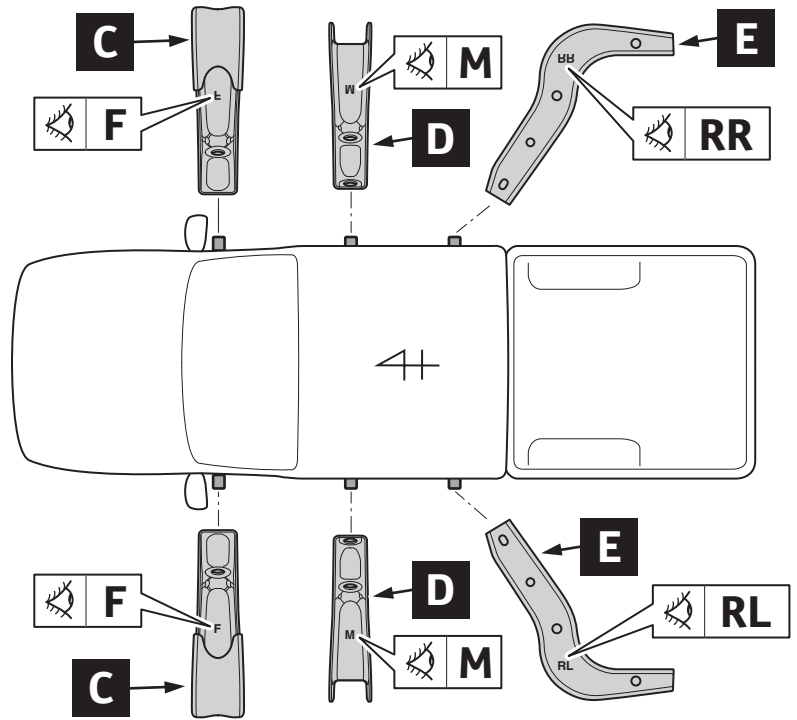
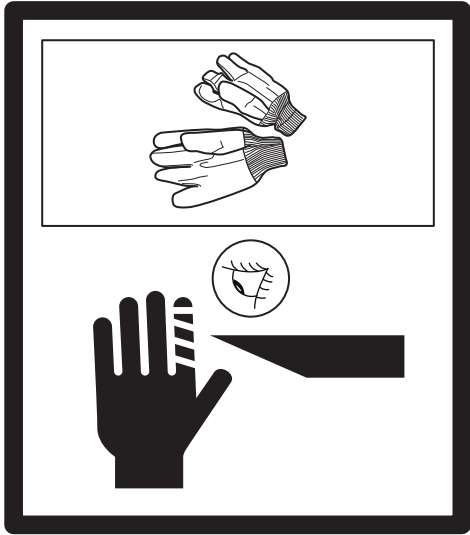
| Rev. No. | Date | Page | Step | Remarks |
|----------|------|------|------|---------|
|          |      |      |      |         |
|          |      |      |      |         |
|          |      |      |      |         |
|          |      |      |      |         |
|          |      |      |      |         |
|          |      |      |      |         |
|          |      |      |      |         |
|          |      |      |      |         |
|          |      |      |      |         |
|          |      |      |      |         |

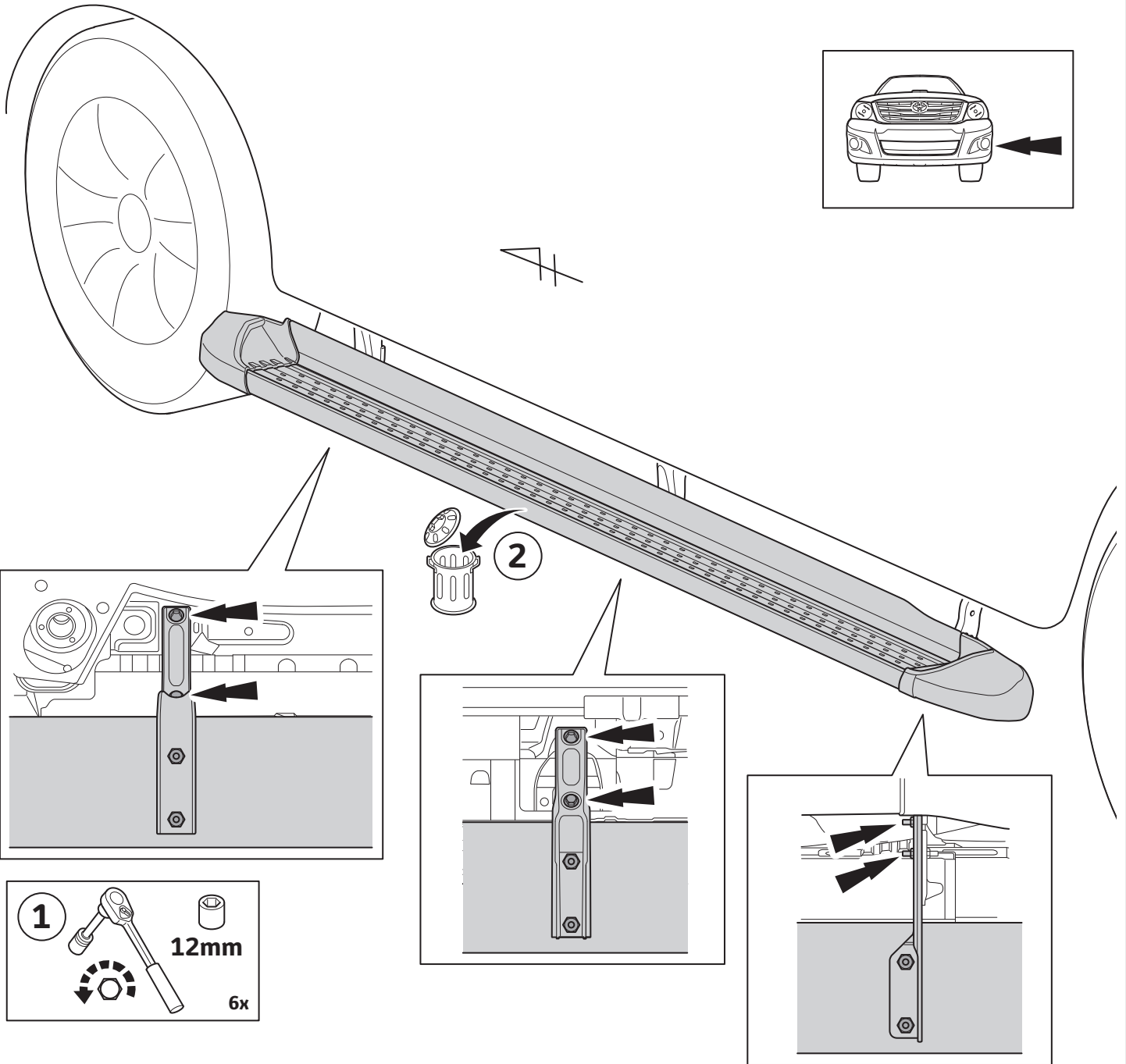
**PW388-0K021 (STAINLESS STEEL)**

|  |  |  |  |
|--|--|--|--|
|    |  <p><b>N</b> 2x</p> |  |  |
|  <p><b>C</b> 2x</p>  <p><b>D</b> 2x</p>  <p><b>E</b> 2x</p> |  |  |  |
|  <p><b>F</b> 12x</p>  |  <p><b>G</b> 12x</p>  |  <p><b>H</b> 10x</p> | <p>Stainless Steel</p>  <p><b>J</b> 24x</p> |

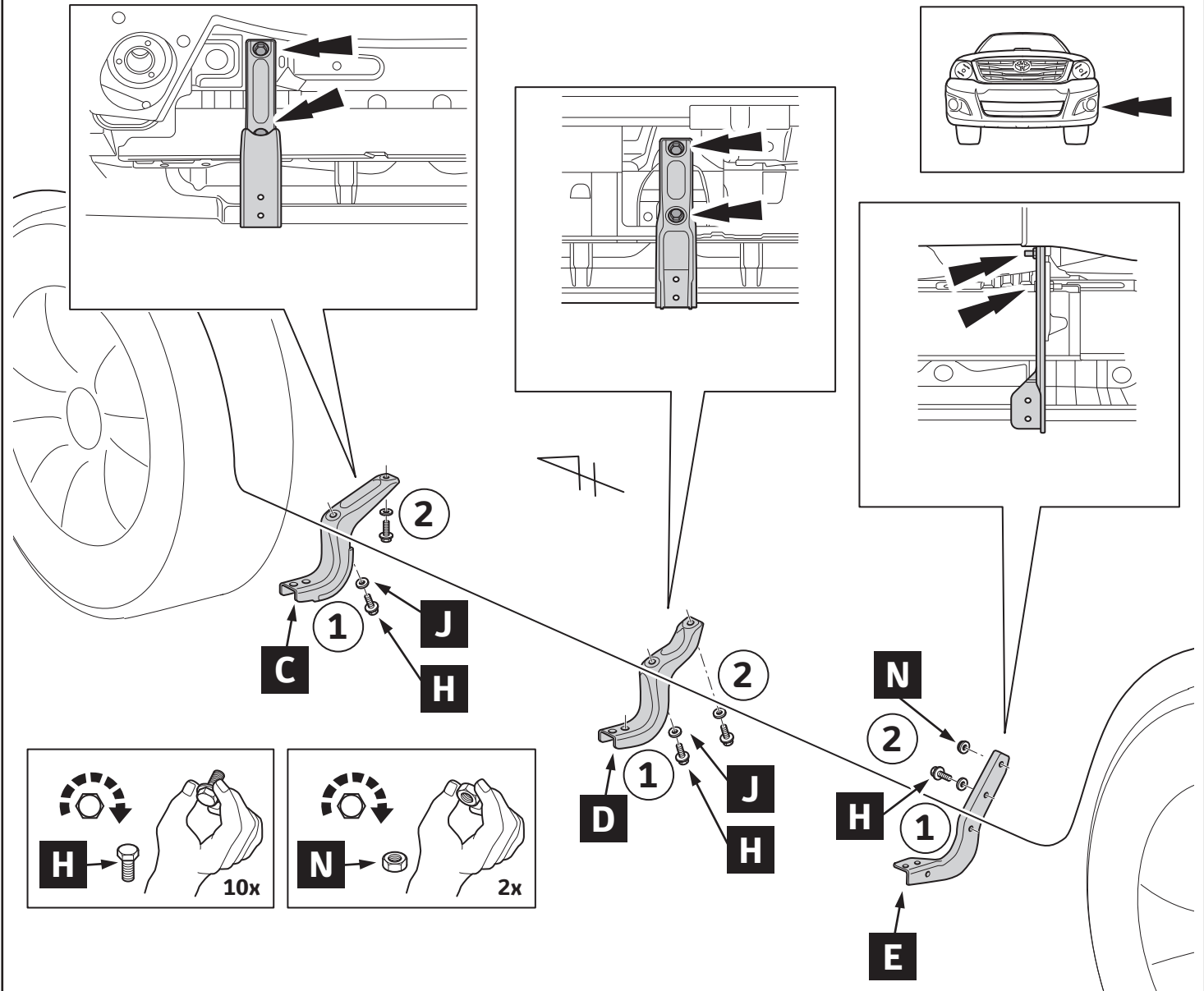


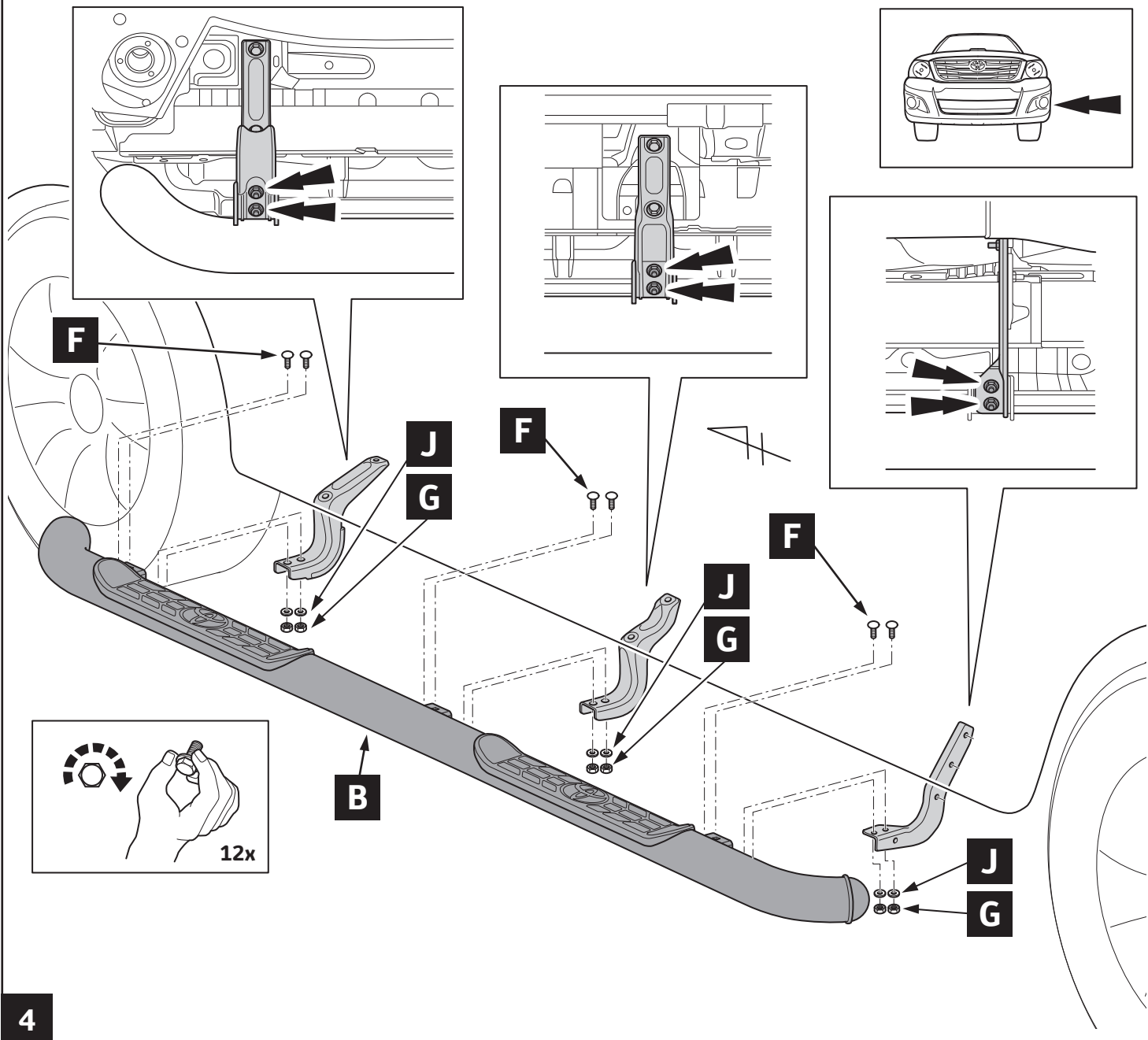
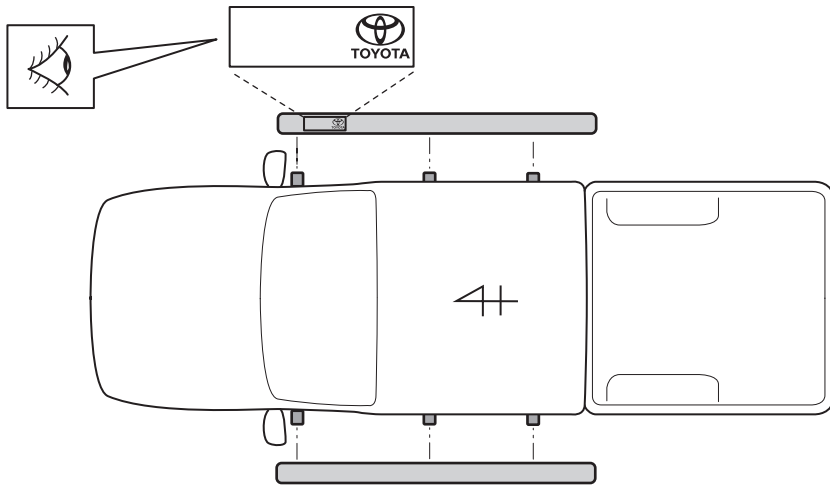
INFO



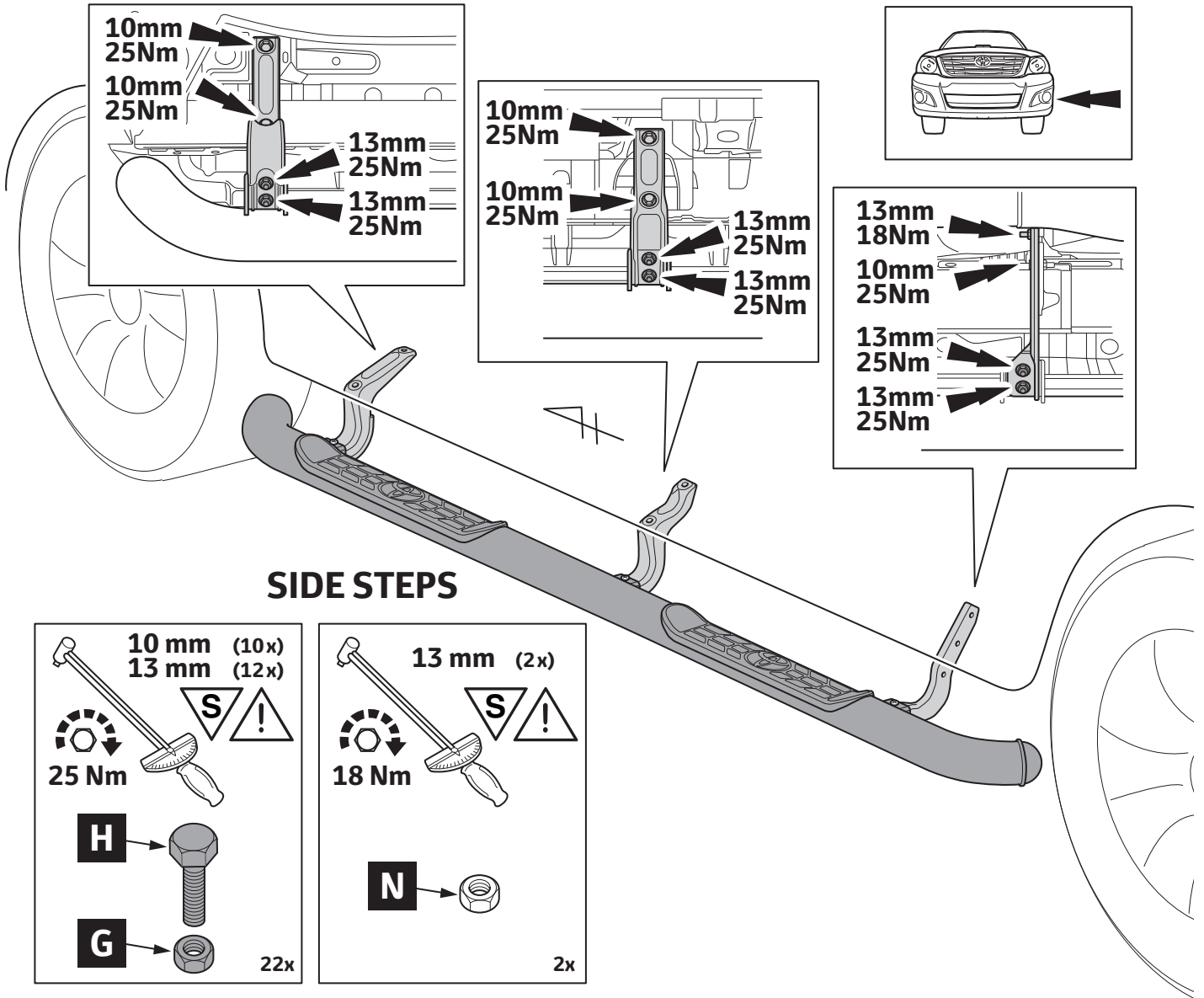


2





4



**SIDE STEPS**

10 mm (10x)  
13 mm (12x)

25 Nm

**S**

**H**

**G**

22x

13 mm (2x)

18 Nm

**S**

**N**

2x

**5**

**INFO**



**LHS = RHS**



# CHECK SHEET Page 1 of 1



**TOYOTA**

ALWAYS A BETTER WAY

**Model / Year** Hilux  
As from 2015/04

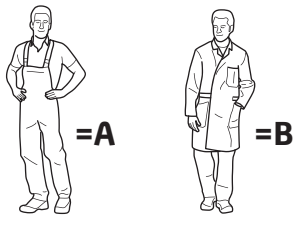
**Side steps**

**VIN n°**

## DURING INSTALLATION

**1**

**P/N = OK**



## AFTER INSTALLATION

**1**

**SIDE STEPS**

**Serial Number**

**7** **18 Nm**

LHS (1x) | RHS (1x)

A  B  | A  B

**Serial Number**

**7** **25 Nm**

LHS (11x) | RHS (11x)

A  B  | A  B

**2**

**= OK**

**Installation Date:**  /  /

**Technician Name & Signature:**

**Stamp:**