



TOYOTA

ALWAYS A  
BETTER WAY

# Toyota Prius

## Towing Hitch Detachable

Quick Reference

Type: 5724

D-Value: 5,32 kN

Vertical coupling load

Towing Hitch: 75 kg

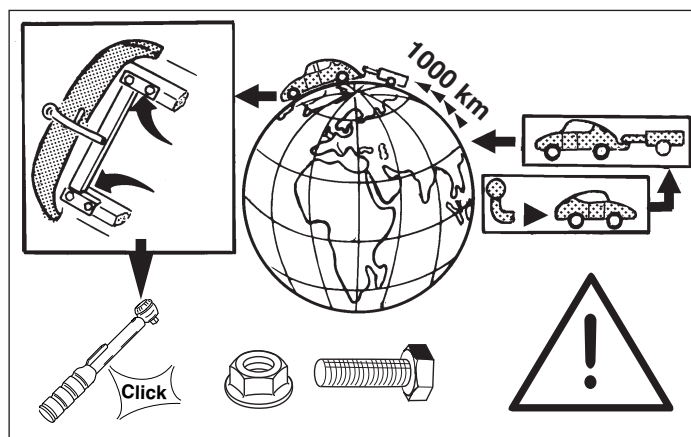
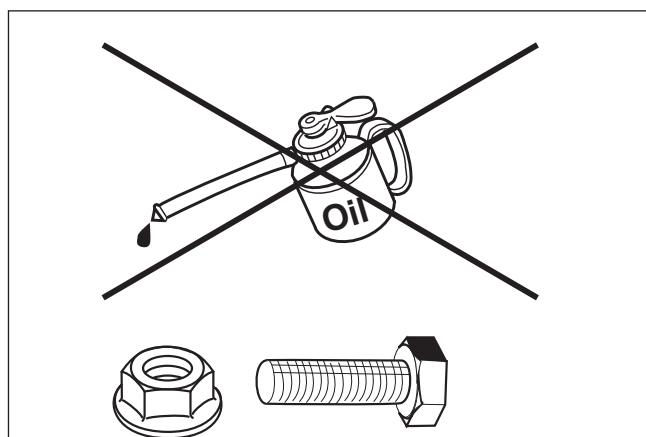
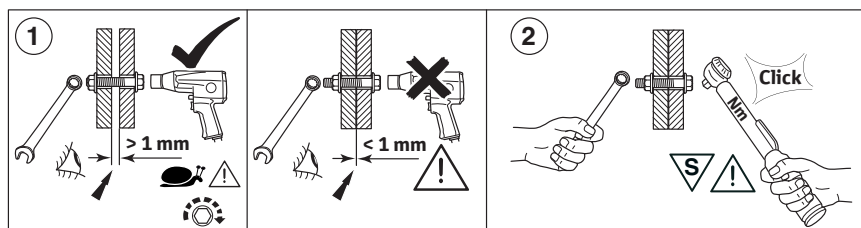
Manufacturer: Brink Towing Systems B. V.  
Postbox 24  
NL 7950 AA Staphorst

Model Application: Toyota Prius

EC-Type Approval No.: E11 55R 0110362

A50-X

### Expert Fitment Required

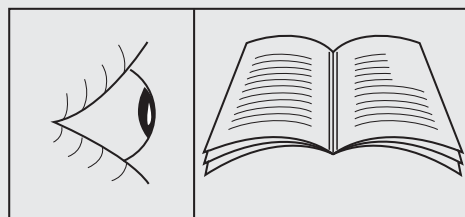


Vehicle code: ZVW50\*- AHXE BW

Model year: 11 / 2015

Part number: PW960-47001

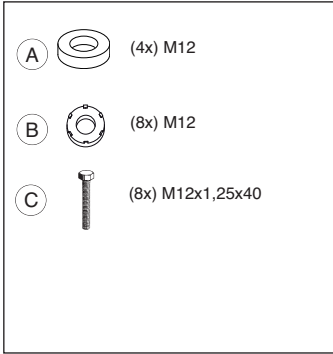
Quick reference number: AIM 003 555-1



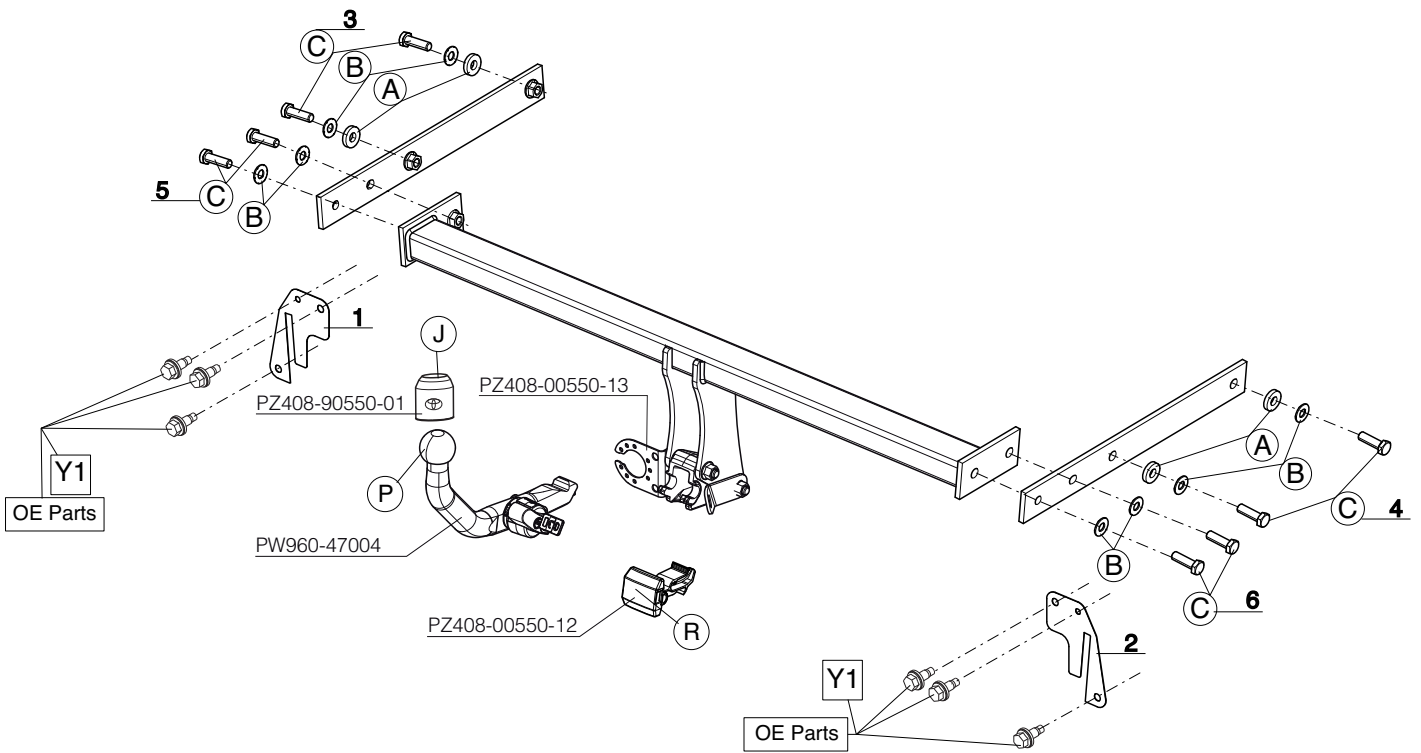
<<Full installation manual location:  
<http://www.toyota-tech.eu>>>  
search for: AIM 003 554-\*

# Revision Record

Rev. No.	Date	Page	Picture	Update	New	Deleted Steps
1	20-11-2015	2	Part.no.fixings			Part.no.fixings



1→2→3→...		QTY	
.			
<b>1</b>	OE Parts V1	33Nm	3x 12
<b>2</b>	OE Parts V1	33Nm	3x 12
<b>3</b>	<b>C</b>	100Nm	2x 19
<b>4</b>	<b>C</b>	100Nm	2x 19
<b>5</b>	<b>C</b>	100Nm	2x 19
<b>6</b>	<b>C</b>	100Nm	2x 19



572475/27-07-2015

Quick Ref.nr.: AIM 003 555-1

