

PROACE PROACE Verso, PROACE Electric PROACE Verso Electric

Side bars - Long Wheel Base

Installation instructions



TOYOTA

ALWAYS A
BETTER WAY

Model year: as from 2016/02 (PROACE / PROACE Cabin frame)
as from 2020/10 (PROACE Electric)
as from 2021/01 (PROACE Verso Electric)

Vehicle code: M***4**-LB***W
M***6**-LB***W

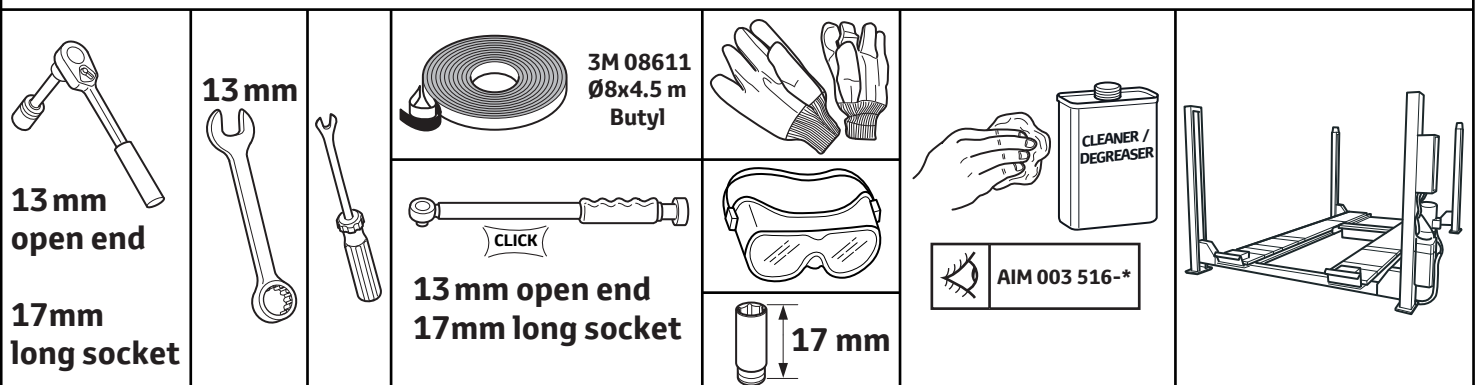
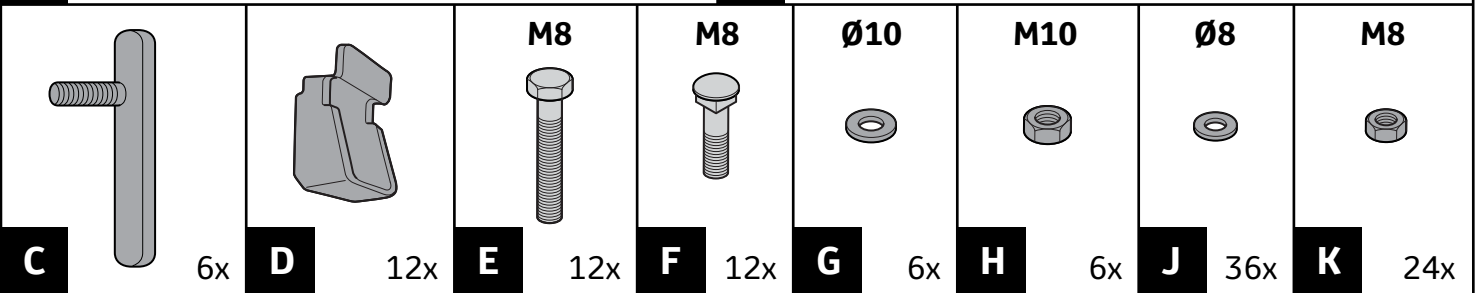
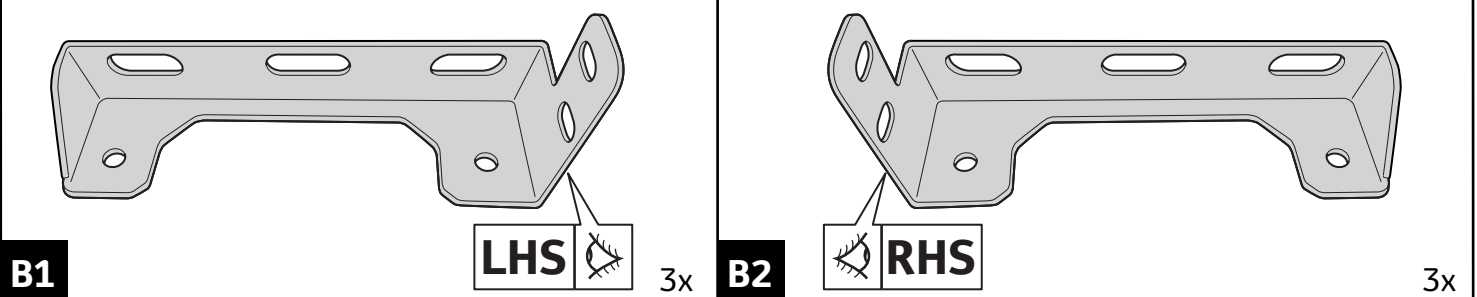
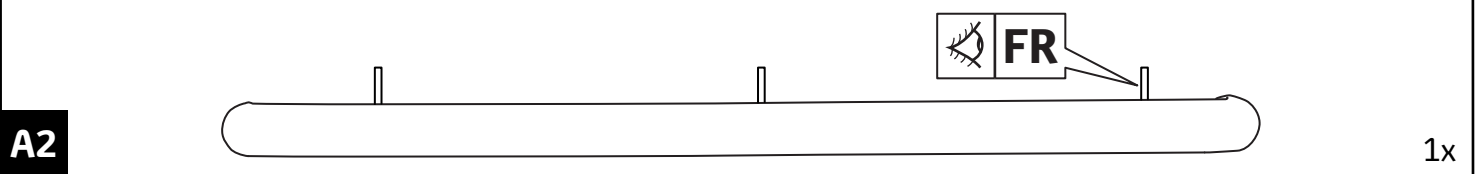
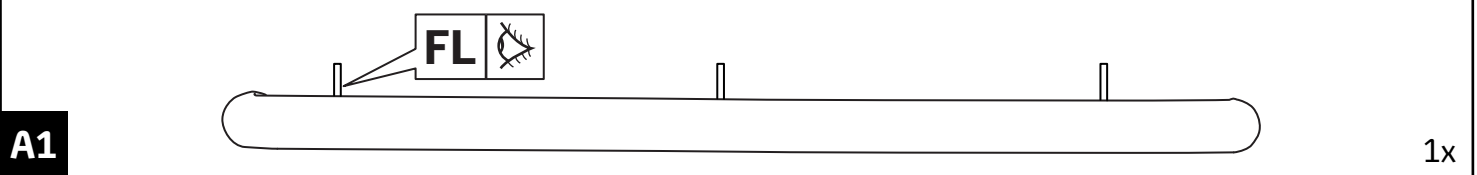
Part number: PZ4L1-H2900-00 (stainless steel)
PZ4L1-H2910 (painted matt black)

Manual reference number: AIM 003 943 - 3

Revision Record

Rev. No.	Date	Page	Picture	Update	New	Deleted steps
1	17.10.18	2-13	1-16	X		
1	17.10.18	12	17		X	
Rev. No.	Date	Page	Step	Remarks		
2	12.08.19	1, 2		P/N added		
3	16.10.20	1		Vehicle names added & model year updated		
3	16.10.20	2		Tools updated		
3	16.10.20	4, 5, 10	4, 5, 6, 12	Step updated		
3	16.10.20	13, 14	C/S	CheckSheet added		

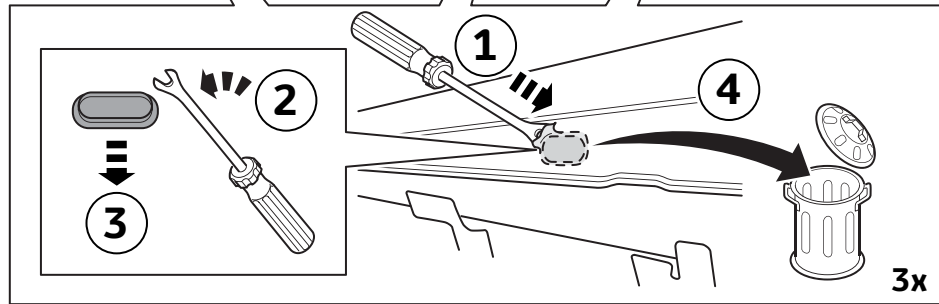
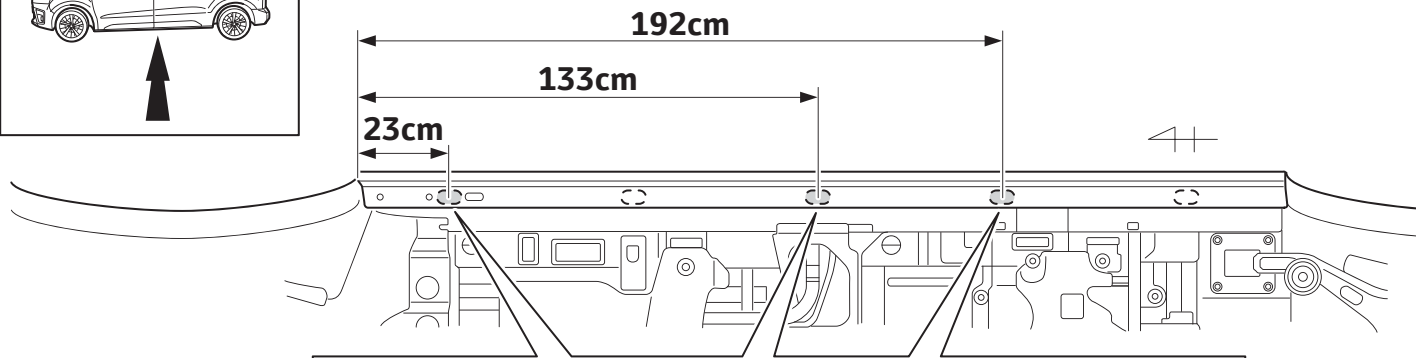
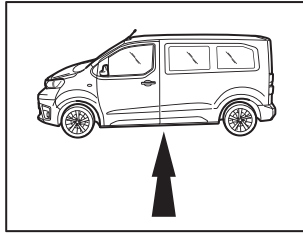
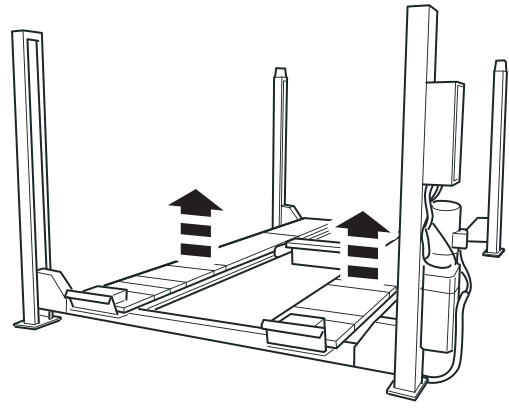
PZ4L1-H2900-00 / PZ4L1-H2910



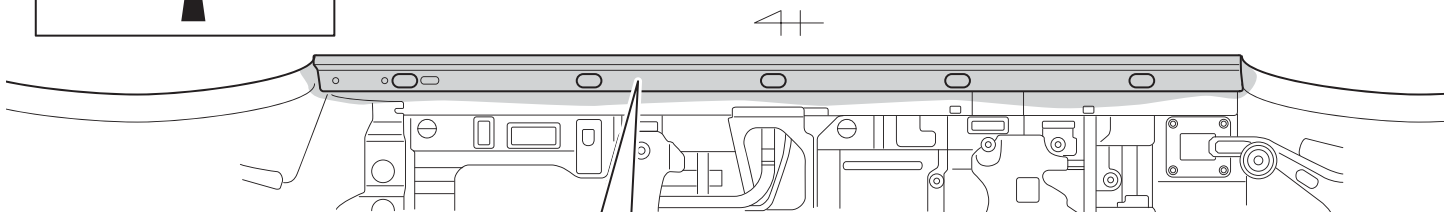
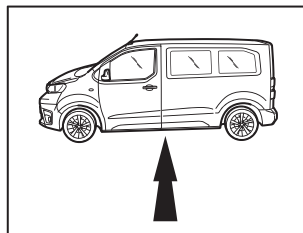
Material Safety Data Sheet



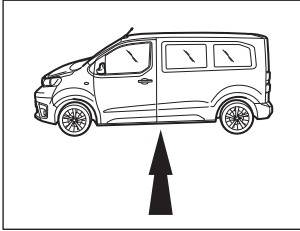
Technical Data Sheet



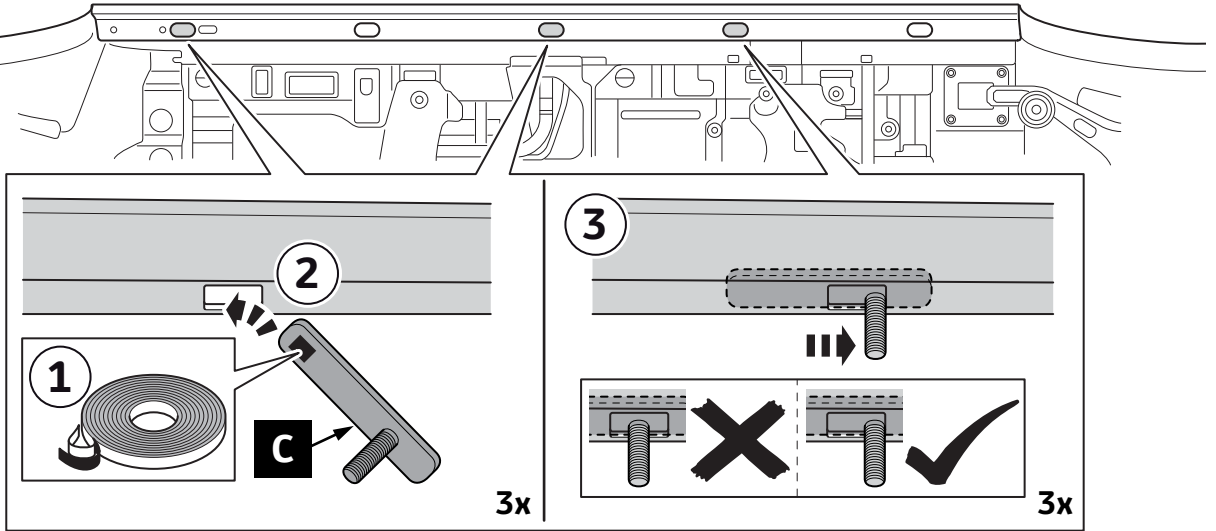
1



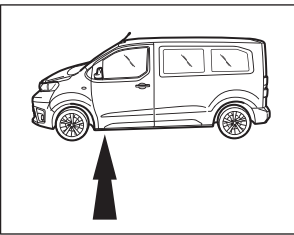
2



4+

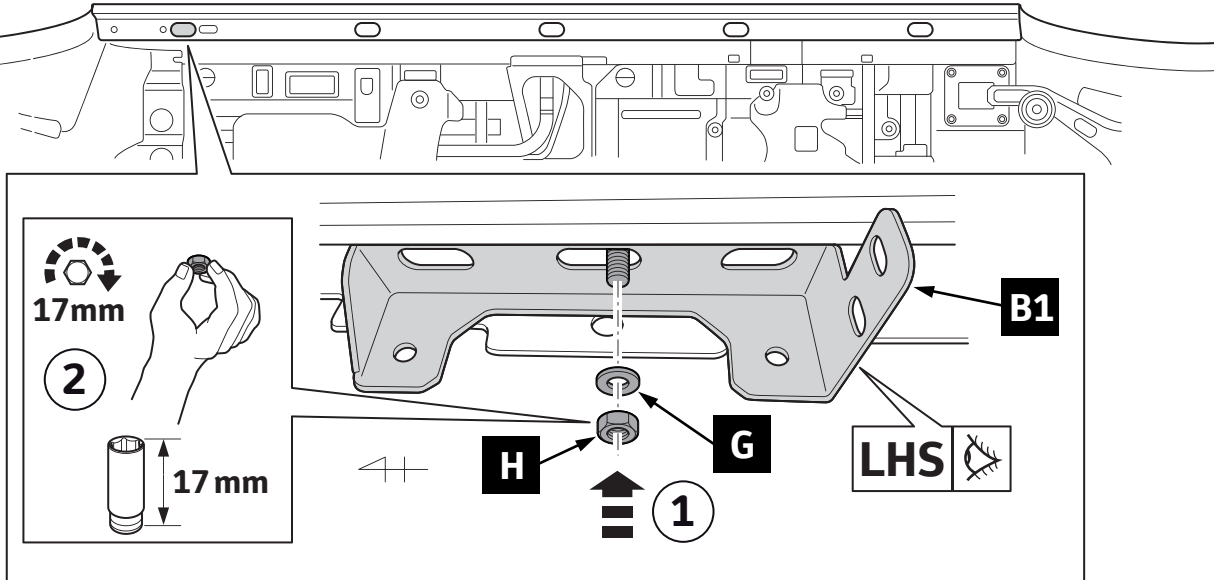


3

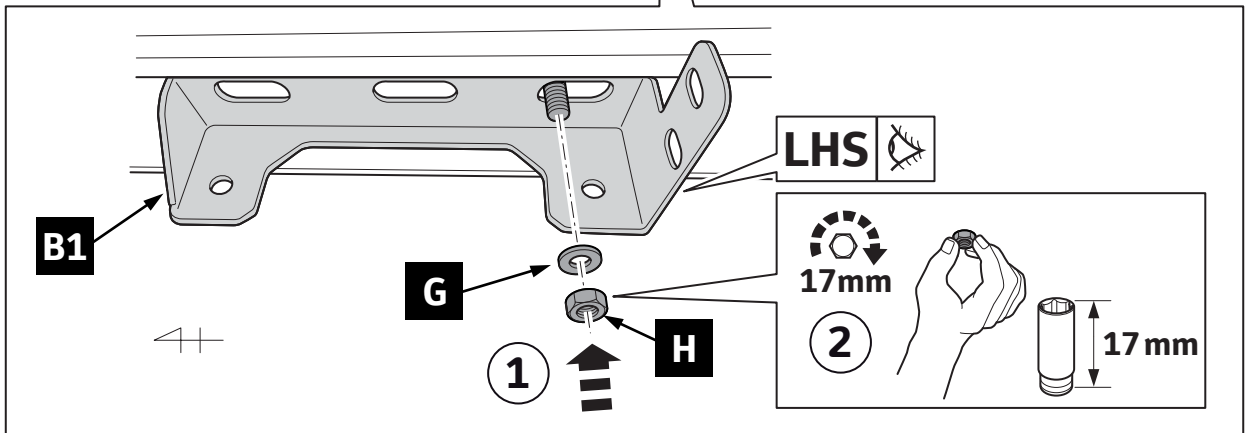
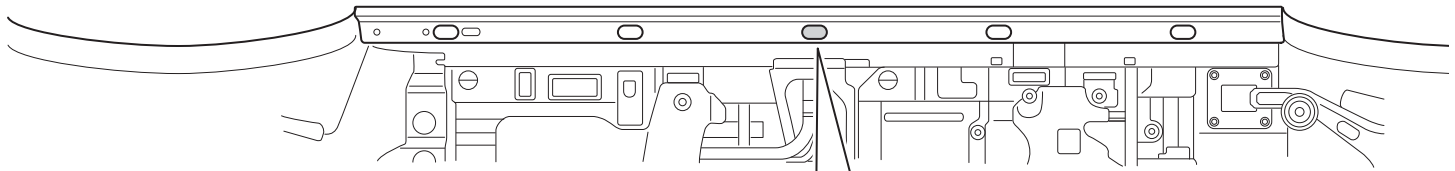
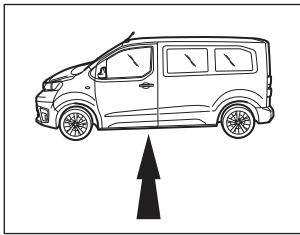


3

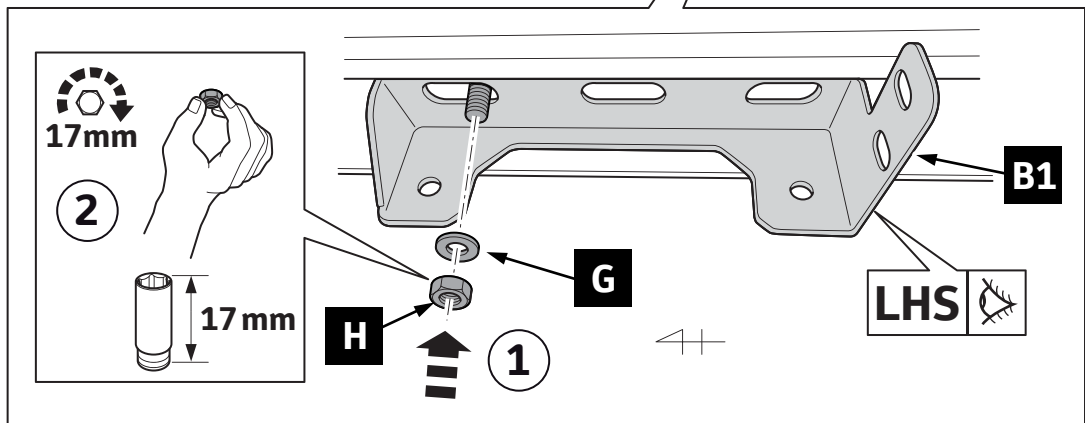
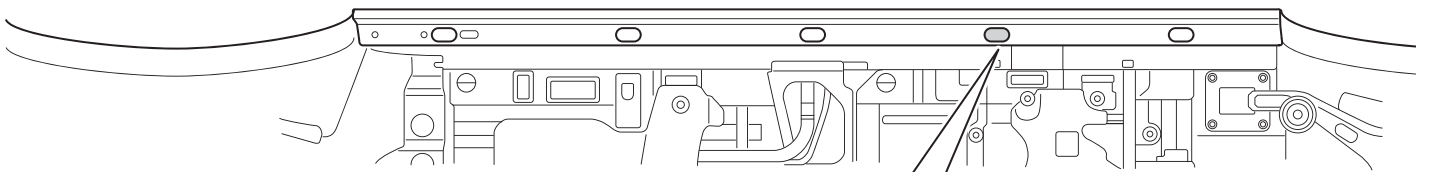
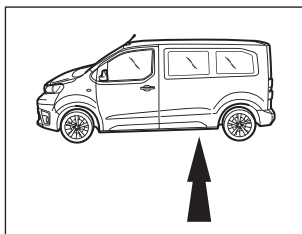
4+



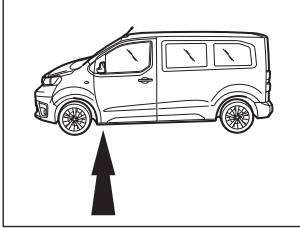
4



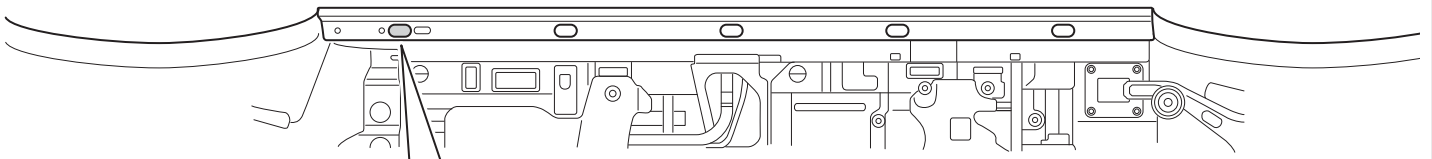
5



6



4+

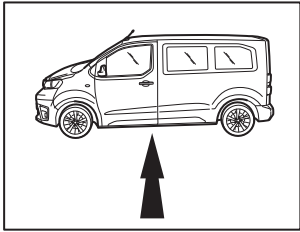


1

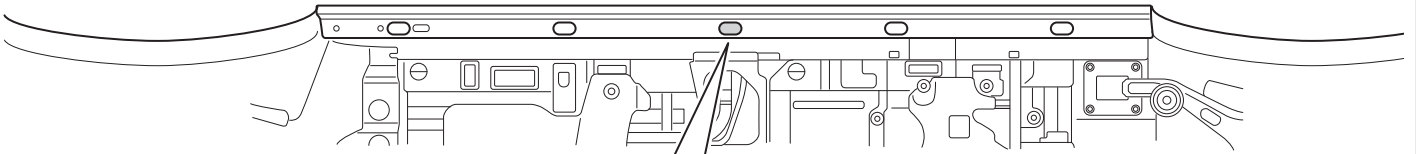
K J D J E 2x

2
13mm

✓ X



4+



1

K **J** **D** **J** **E** 2x

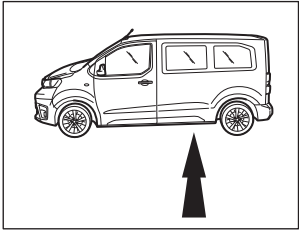
2

13mm

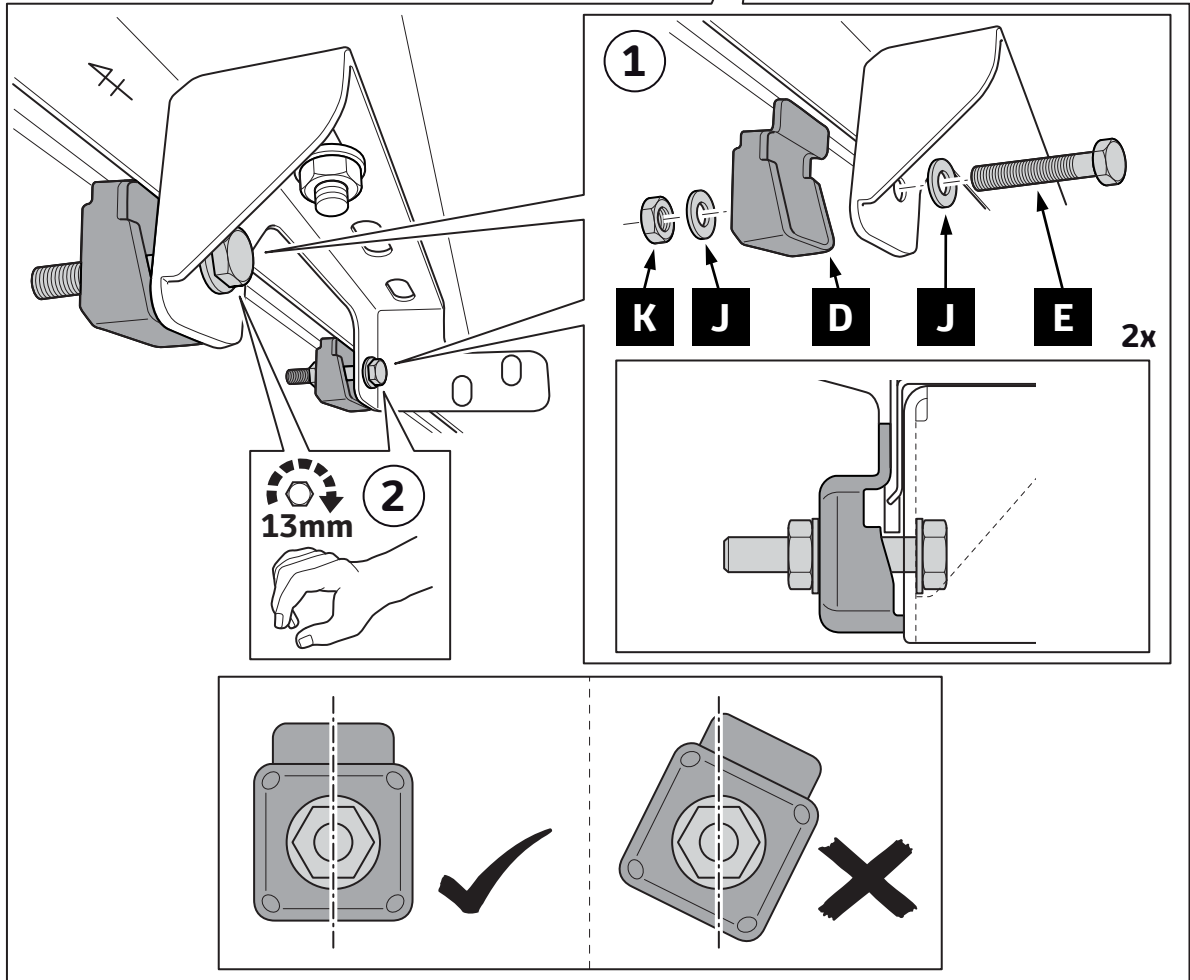
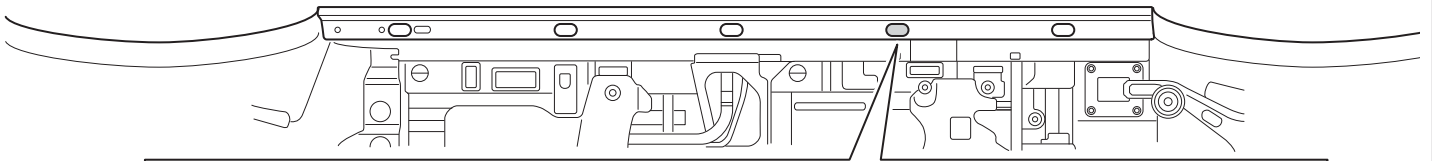
✓

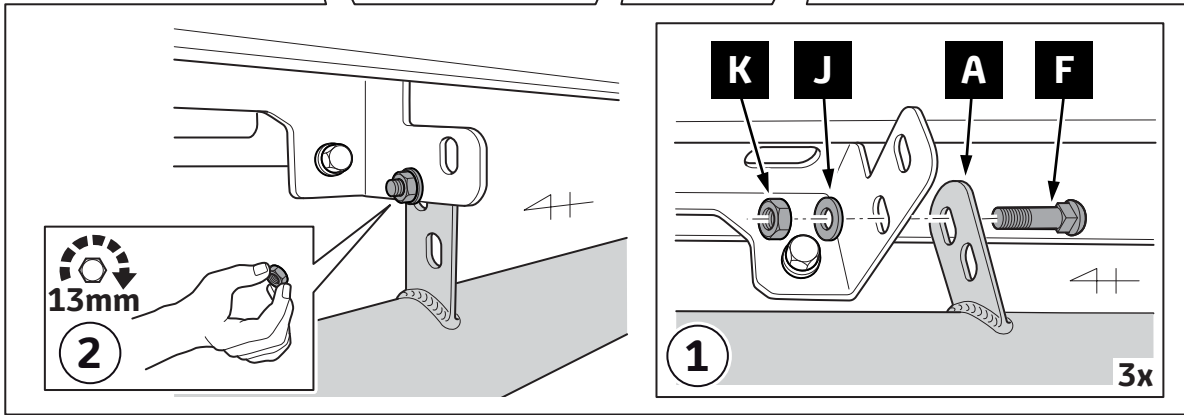
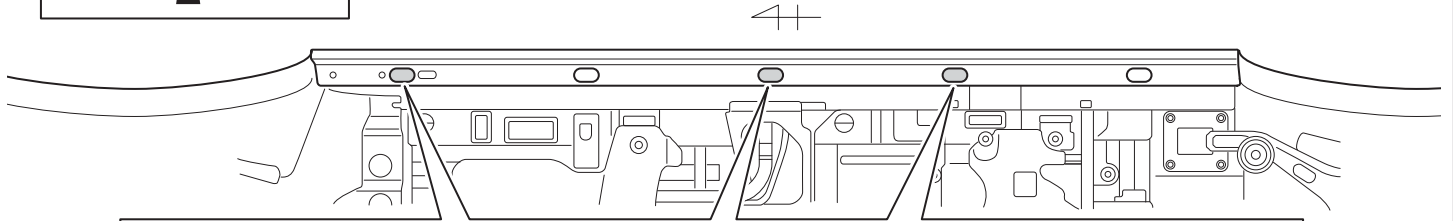
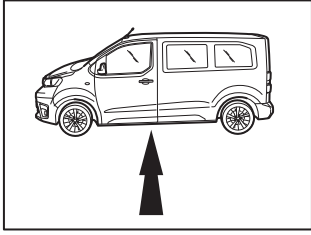
✗

Detailed description: This diagram illustrates the installation of a door hinge. It shows a side view of the door being attached to the chassis. A callout box labeled '1' shows the assembly of the hinge components: a nut (K), a washer (J), a hinge bracket (D), another washer (J), and a bolt (E) which is used in two locations (2x). A second callout box labeled '2' shows a hand turning a nut with a 13mm hex key. Below this, two diagrams show the hinge plate being aligned with the door frame: the left one shows correct alignment with a checkmark, and the right one shows incorrect alignment with a cross.

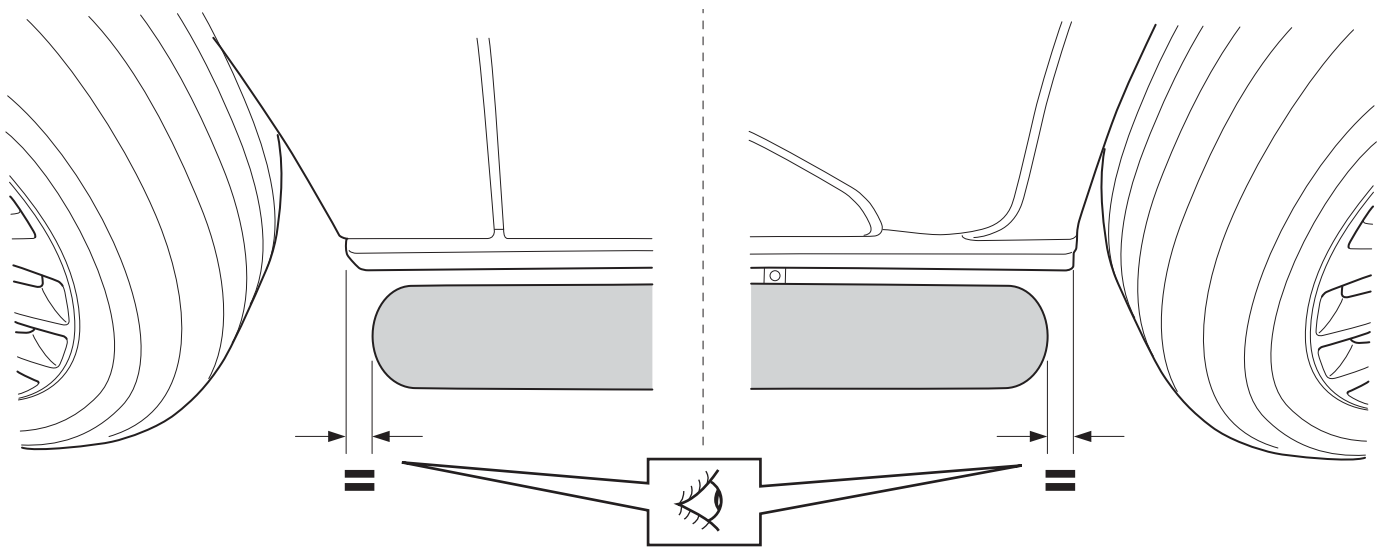


4+

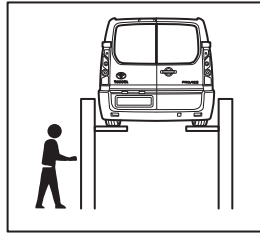
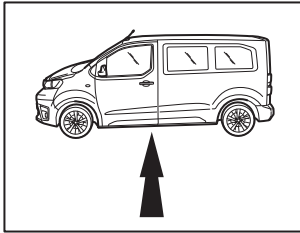




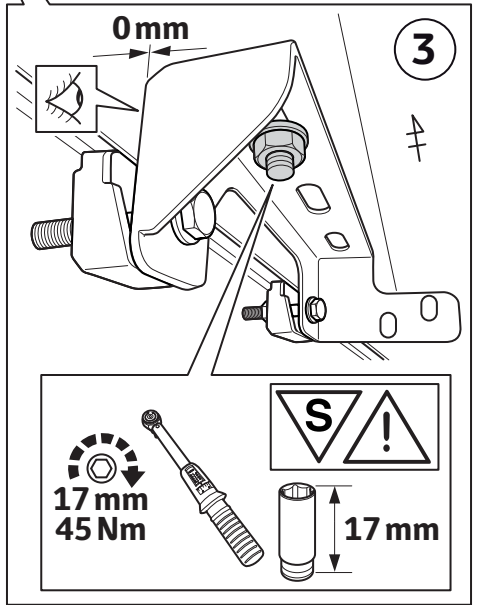
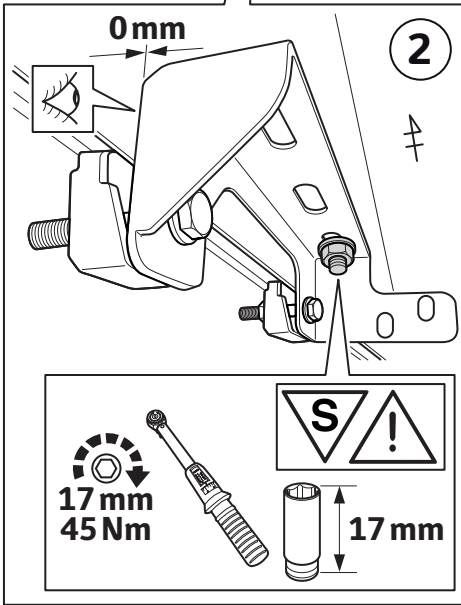
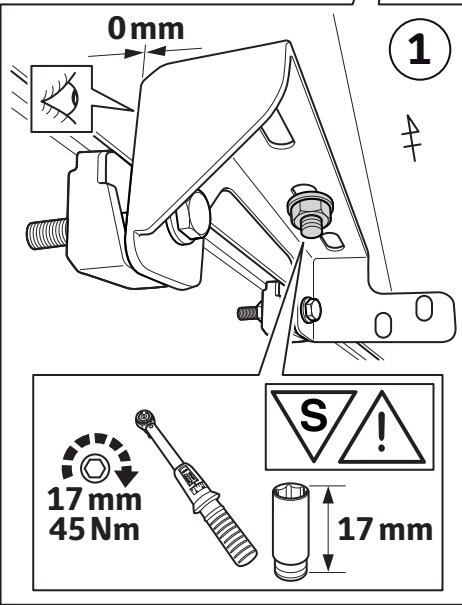
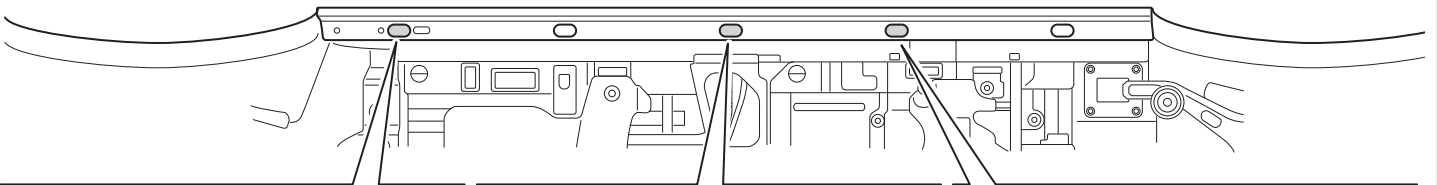
10

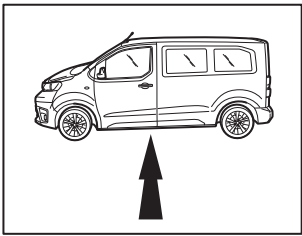


11

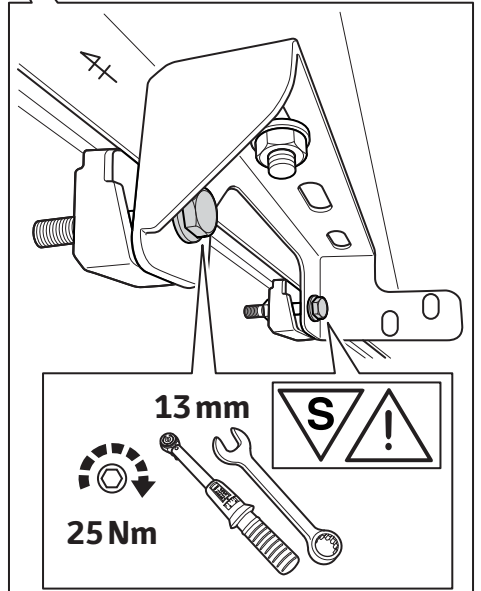
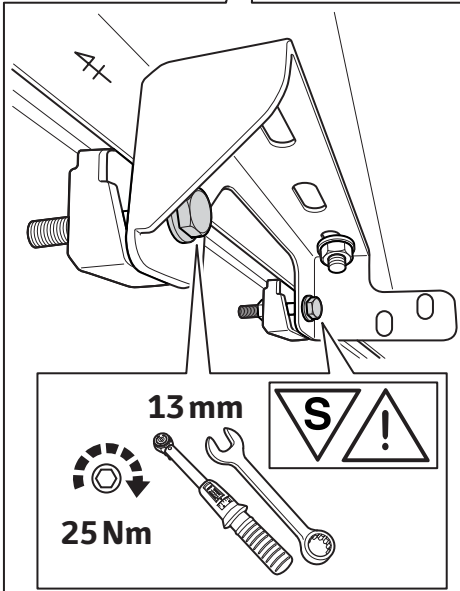
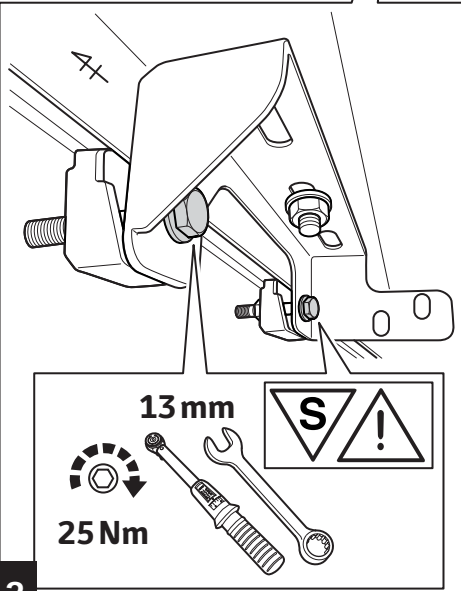
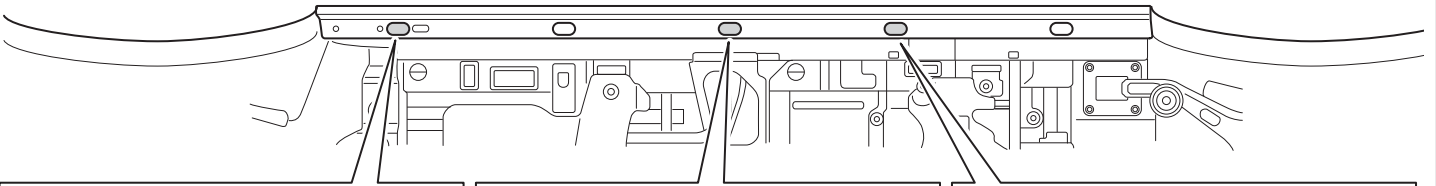


4+

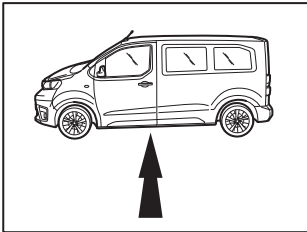




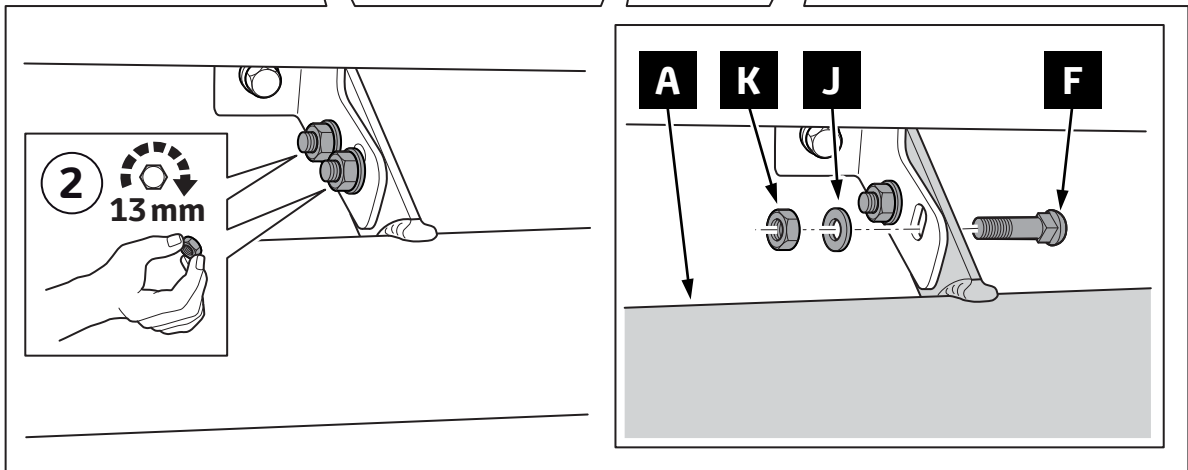
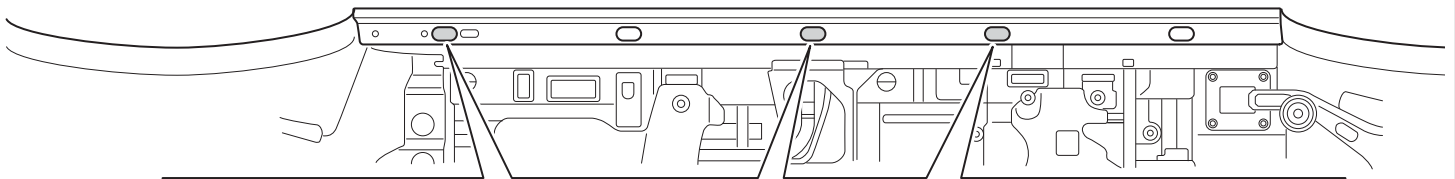
4+



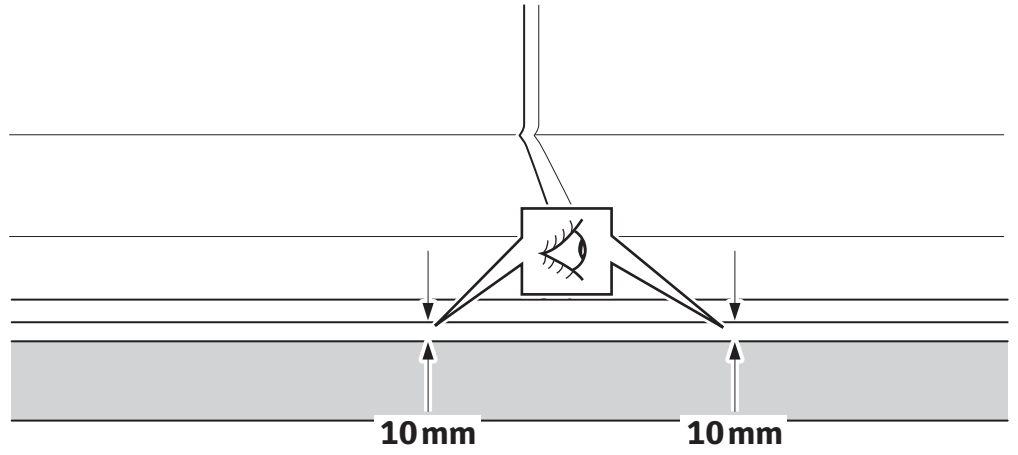
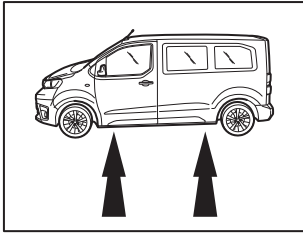
13



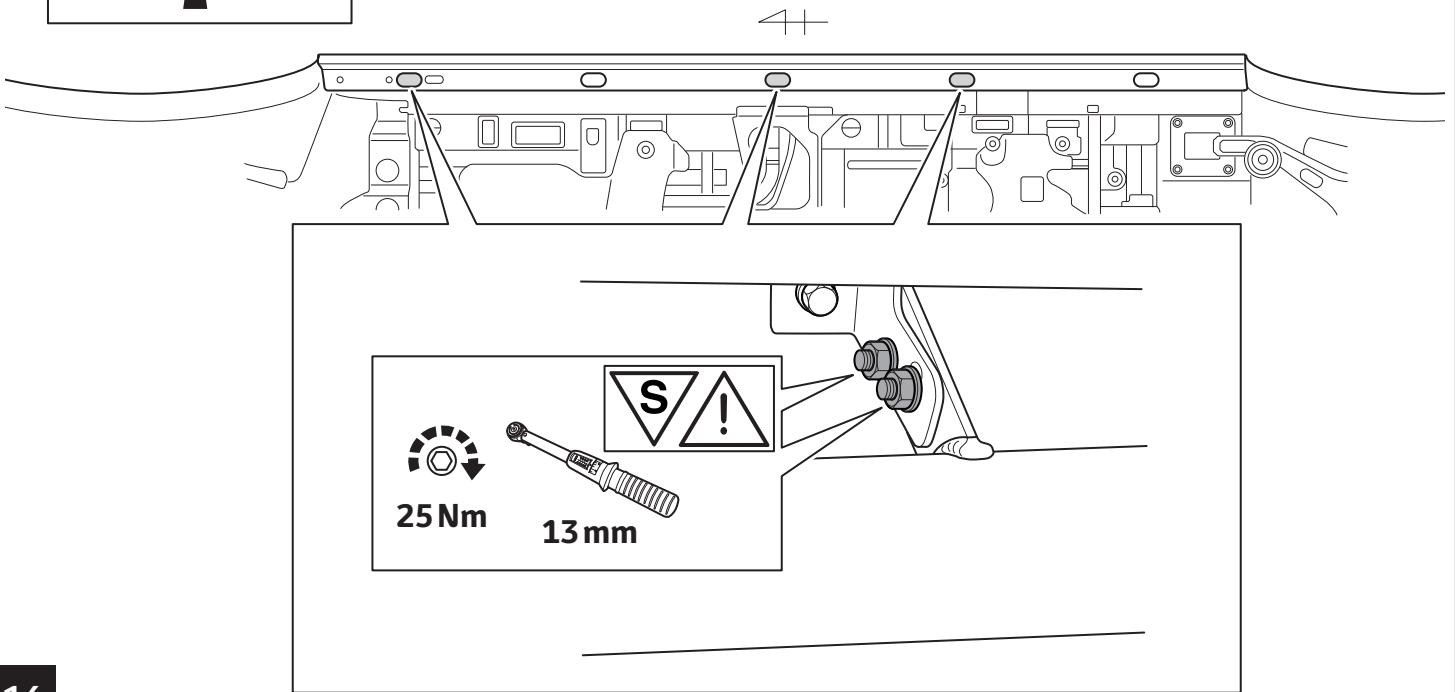
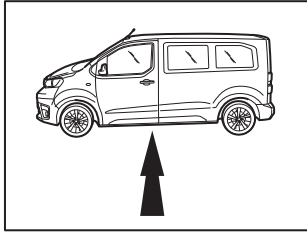
4+



14



15



16

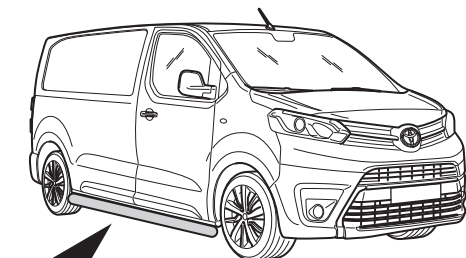


Fig.1 → Fig.16

RHS

A2 B2

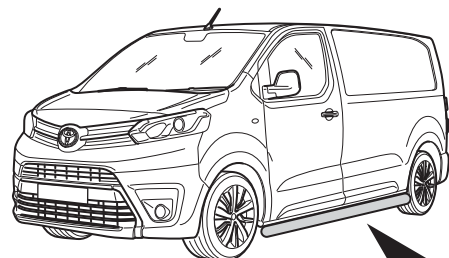


Fig.1 → Fig.16

LHS

A1 B1

=

17

CHECK SHEET Page 1 of 2



TOYOTA

Model / Year

PROACE / PROACE Verso
as from 2016/02,
PROACE Electric as from 2020/10,
PROACE Verso Electric
as from 2021/01

**Side bars,
long wheel base**

ALWAYS A
BETTER WAY

VIN n°

DURING INSTALLATION

1

P/N = OK

=A =B

AFTER INSTALLATION

1

45 Nm **CLICK**
6x Serial Number

LHS RHS
A B A B

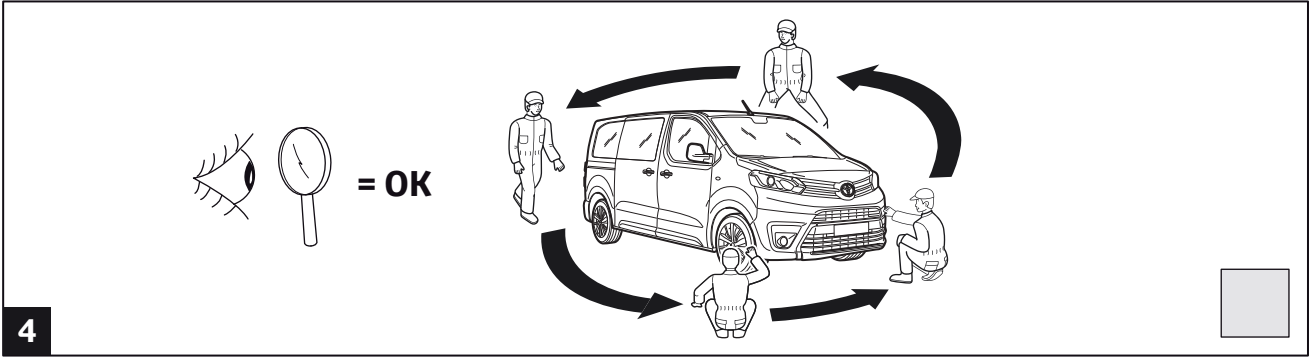
2

25 Nm **CLICK**
24x Serial Number

LHS RHS
A B A B

3

10mm 10mm



Installation Date:
.. / .. / ..

Technician Name & Signature:

Stamp: