



TOYOTA

ALWAYS A
BETTER WAY

Corolla

Hood Protection Film

Installation Instructions

Model year: As from 2019/01

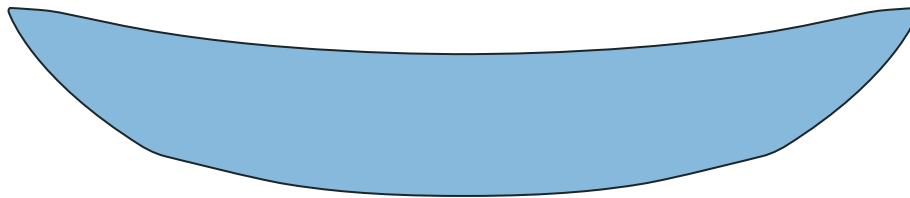
Part number:	PW175-02000	Corolla HB / TS
	PW175-02001	Corolla Sedan

Manual reference number: AIM 006 063-1

Revision record

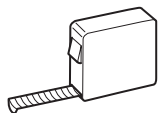
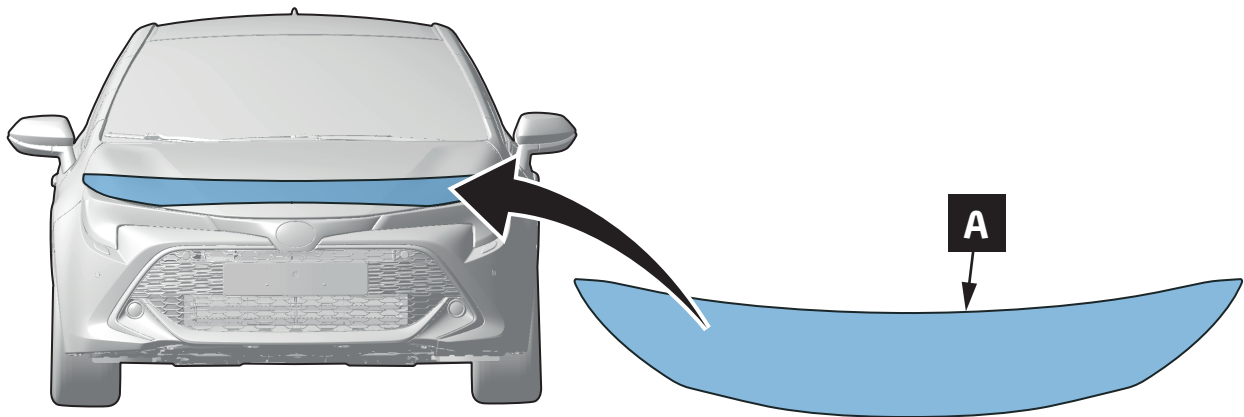
Rev. No.	Date	Page	Step	Remarks
△ ₁	15.12.2020	7	11	Step deleted.
△ ₁	15.12.2020	1		Model updated.

PW175-02000 / PW175-02001

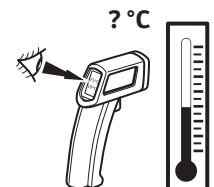
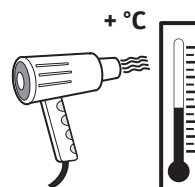


A

1x




**3M Gold squeegee + Low friction sleeve
 NOT INCLUDED**



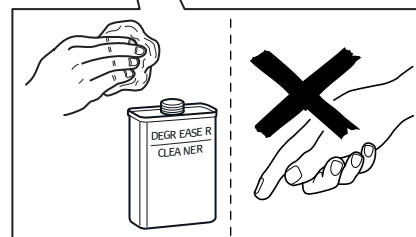
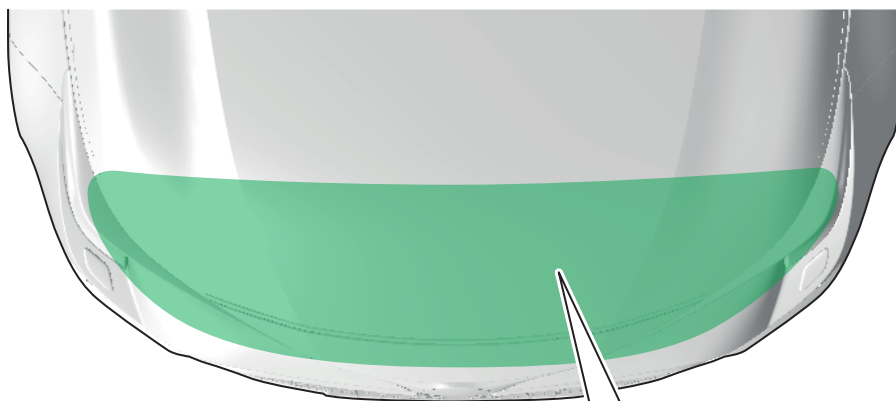
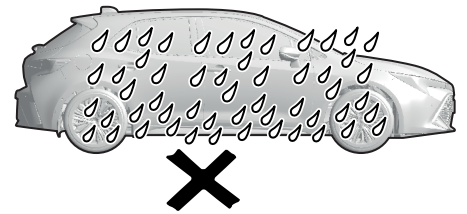
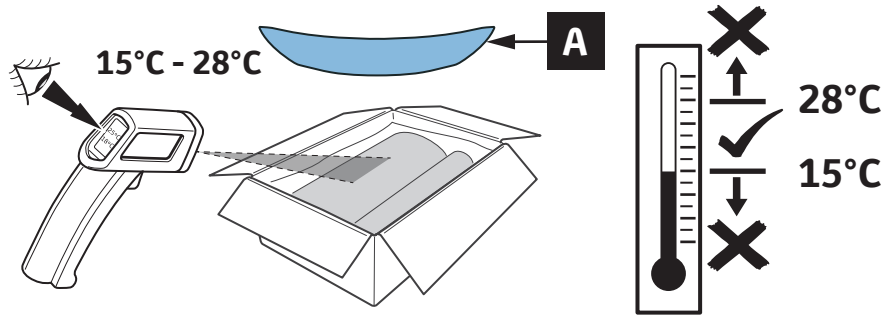
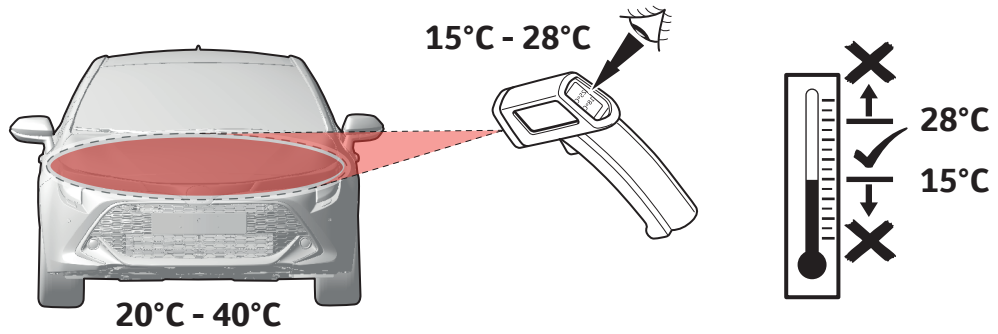
INFO



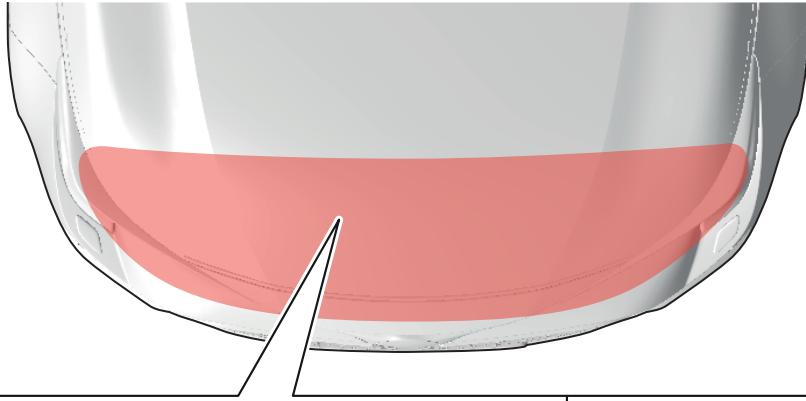
Material Safety Data Sheet



Technical Data Sheet

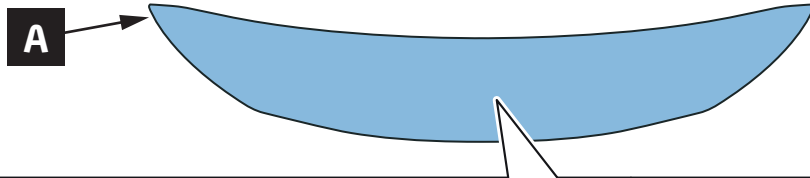


1



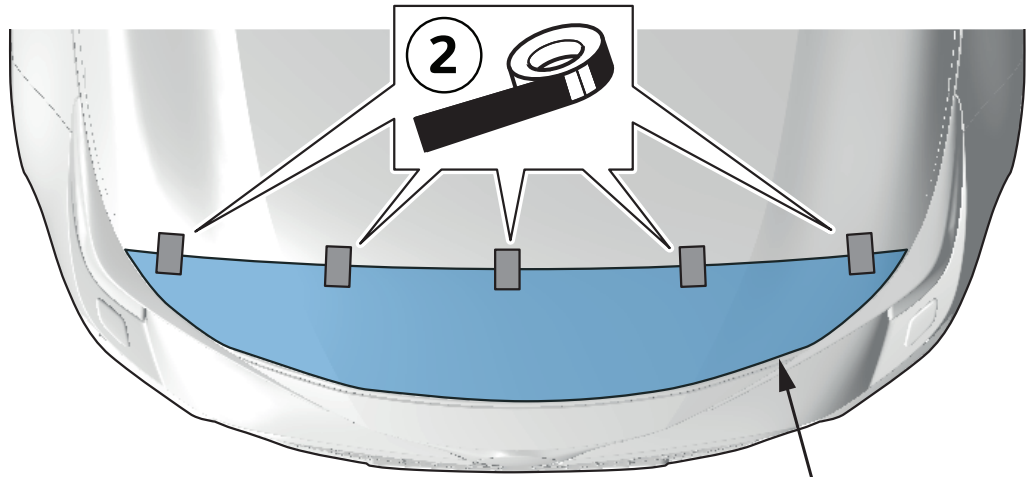
<p>1</p>	<p>$> 15^{\circ}\text{C}$ → 2</p> <p>$15^{\circ}\text{C} - 28^{\circ}\text{C}$ → 3</p>	<p>2</p>
<p>3</p>	<p>$15^{\circ}\text{C} - 28^{\circ}\text{C}$ → 3</p>	<p>INFO</p>

2

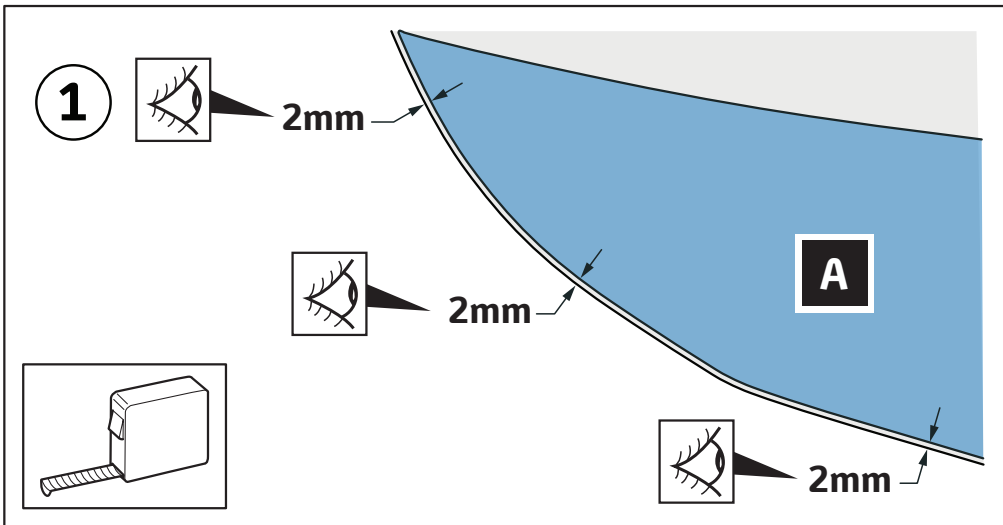


<p>1</p>	<p>$> 15^{\circ}\text{C}$ → 2</p> <p>$15^{\circ}\text{C} - 28^{\circ}\text{C}$ → 4</p>	<p>2</p>
<p>3</p>	<p>$15^{\circ}\text{C} - 28^{\circ}\text{C}$ → 4</p>	<p>INFO</p>

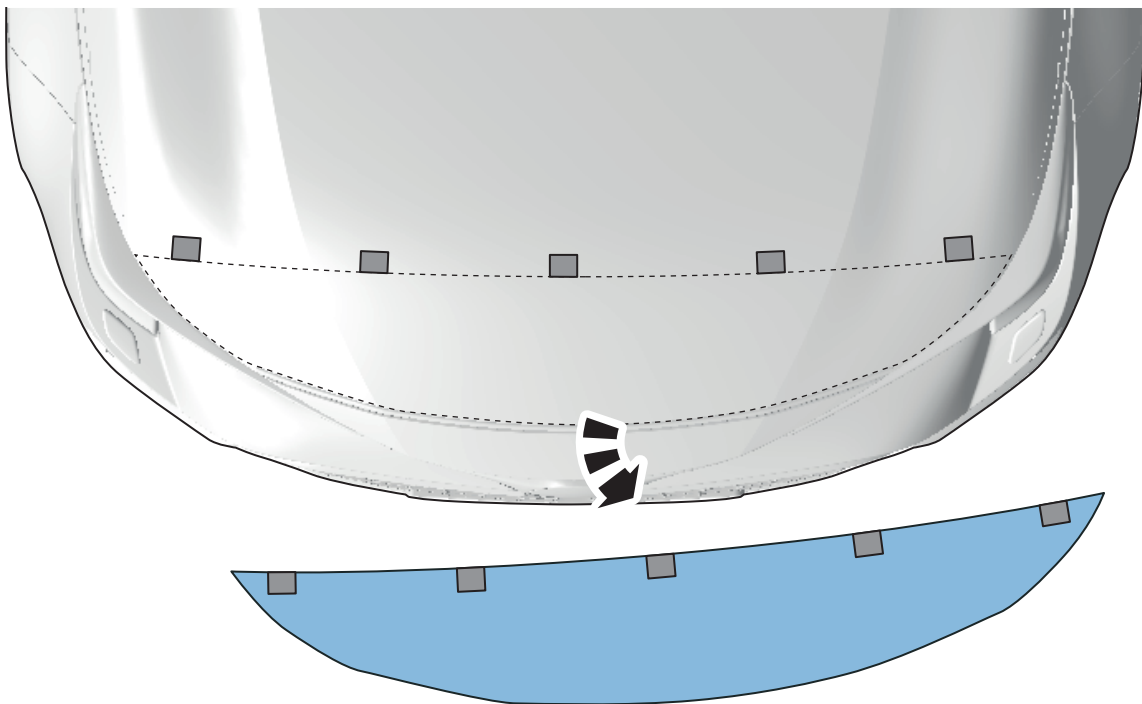
3



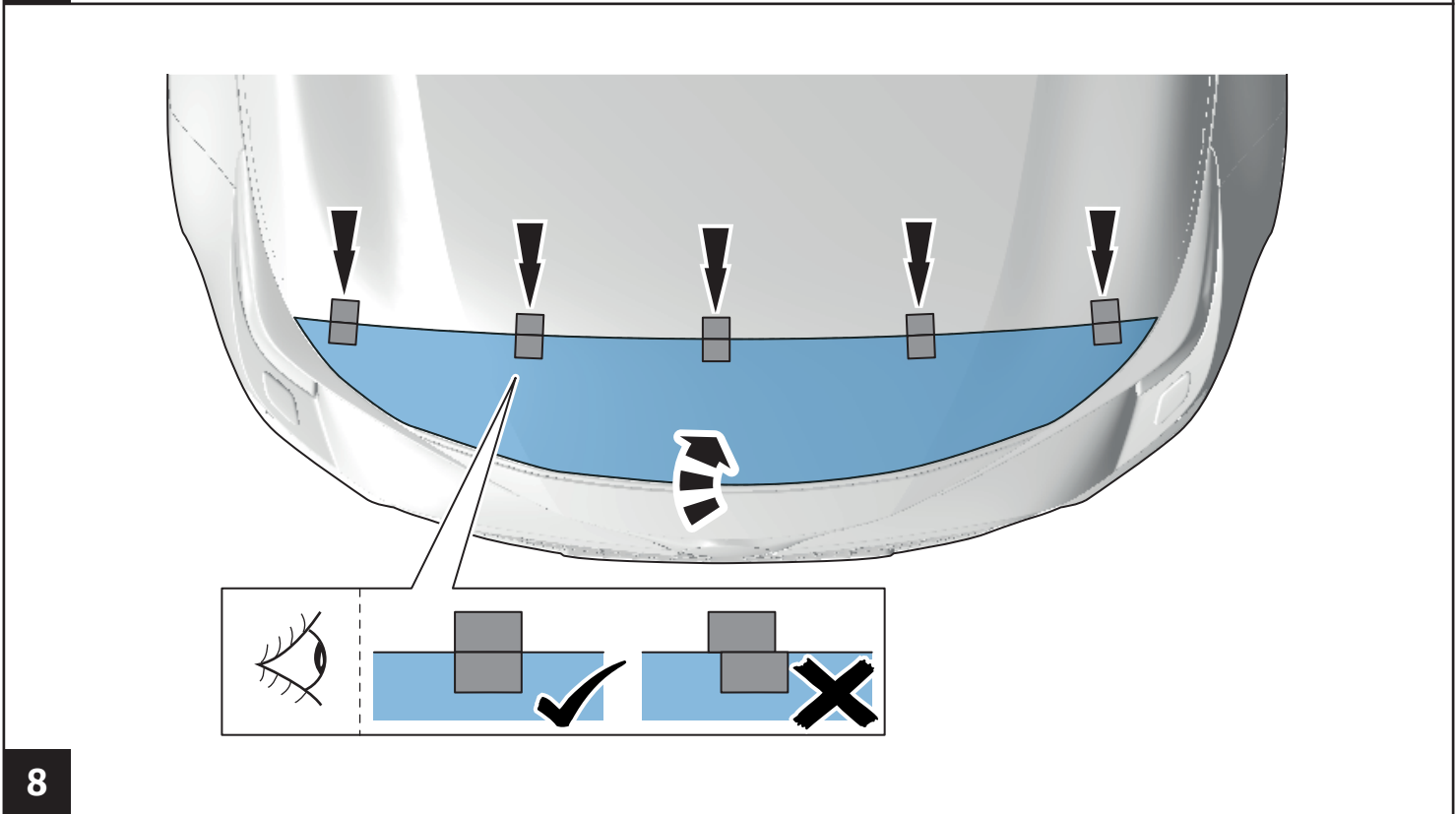
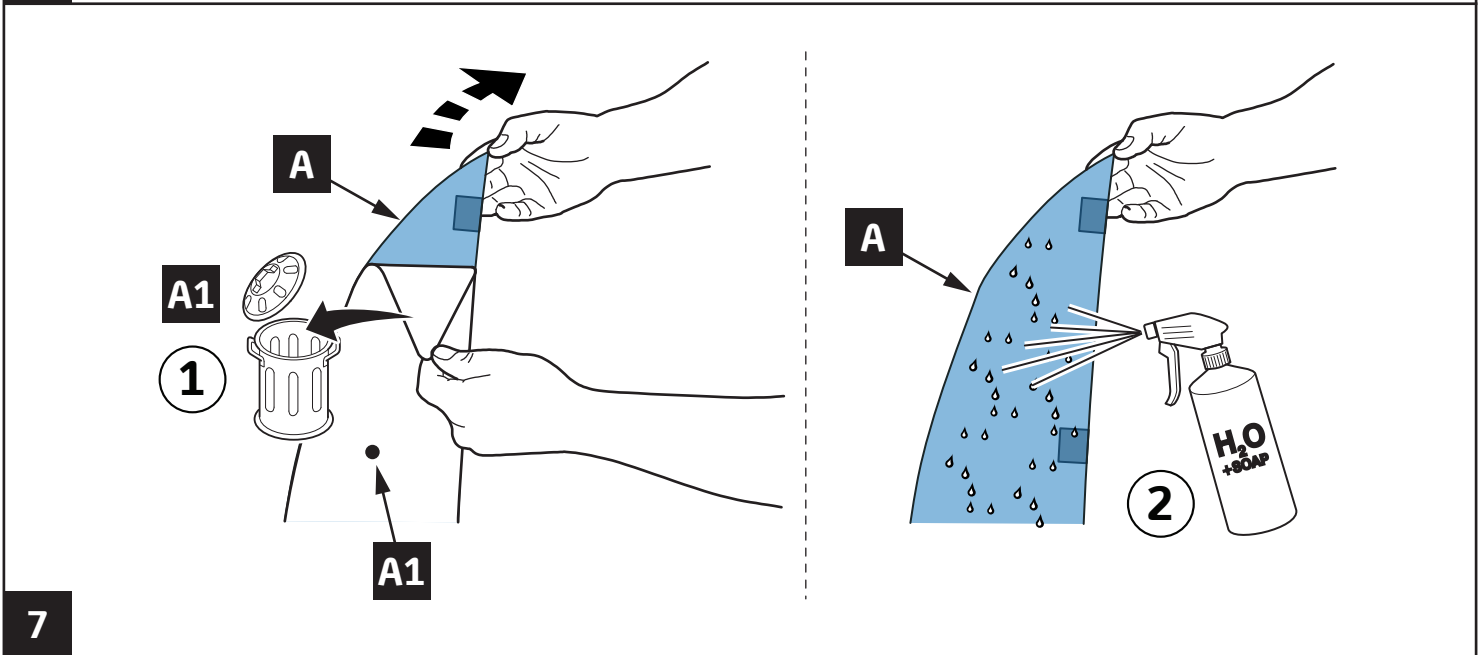
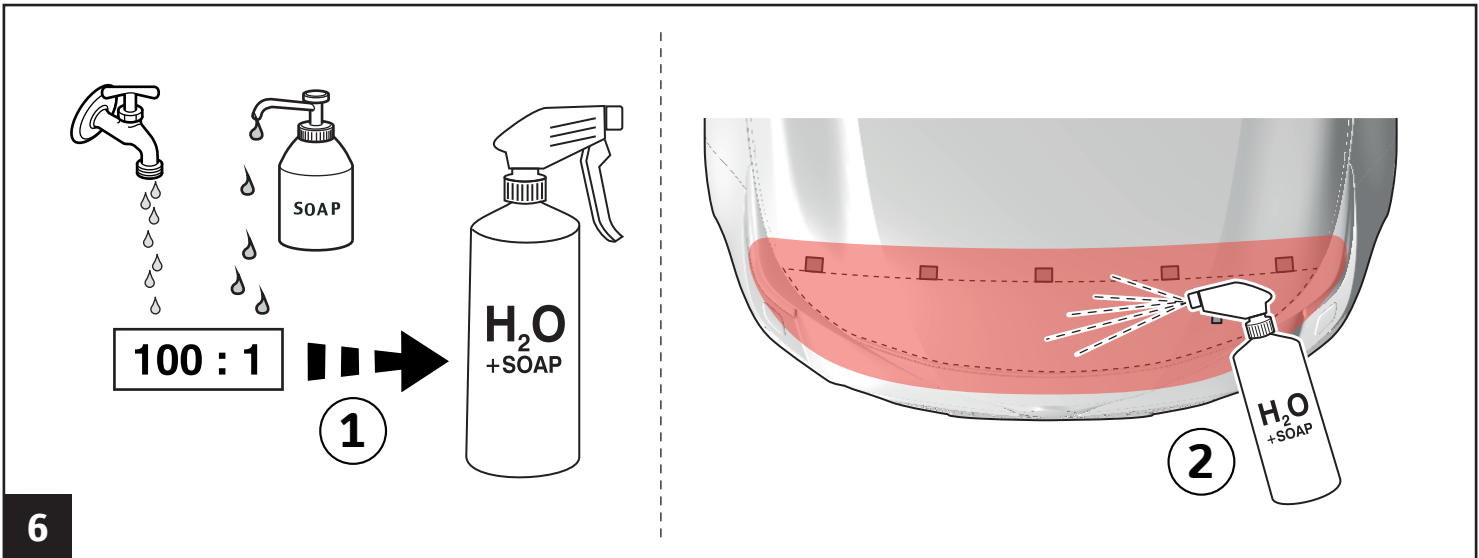
A

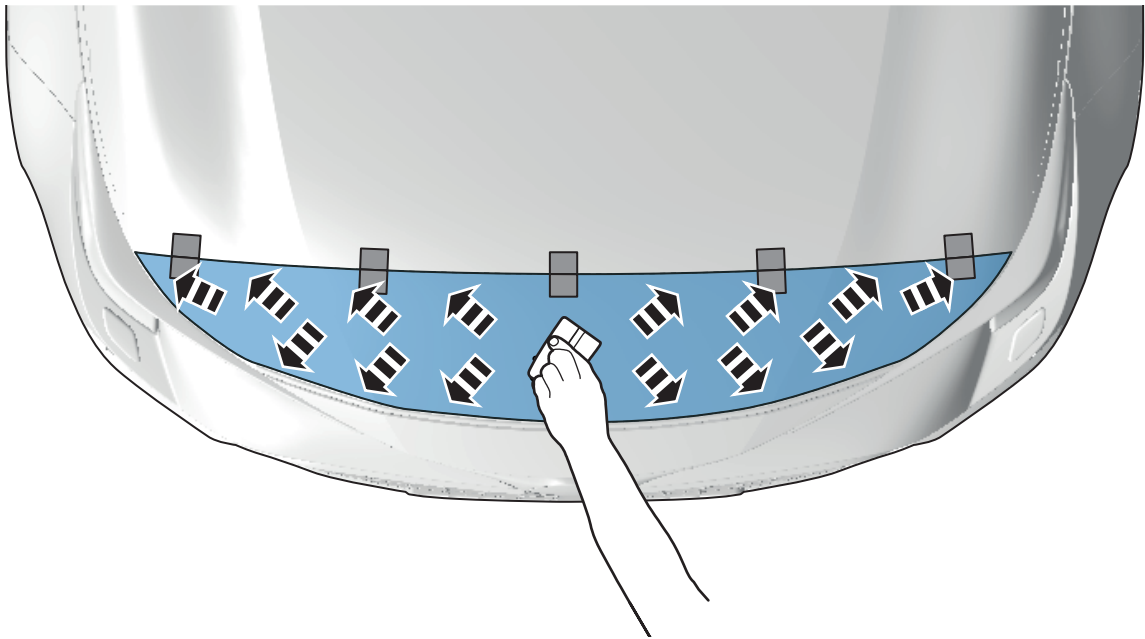


4

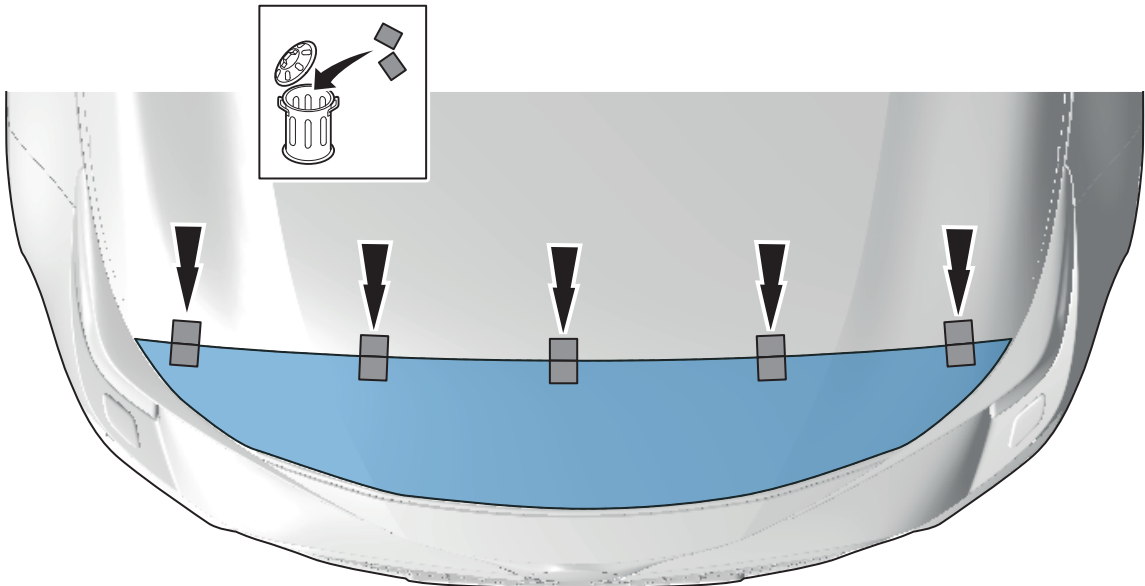


5

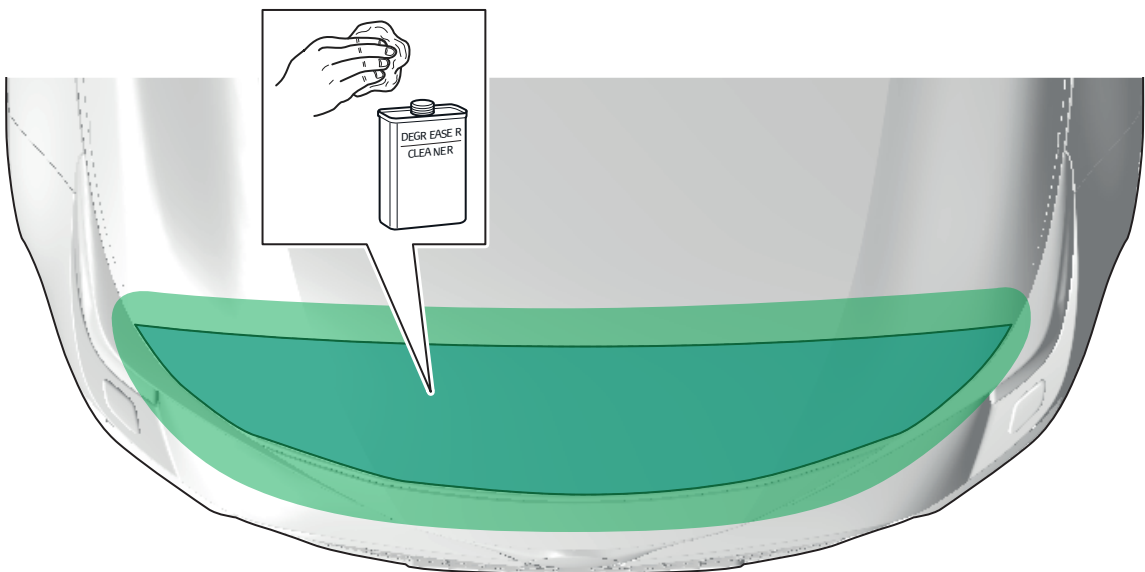




9

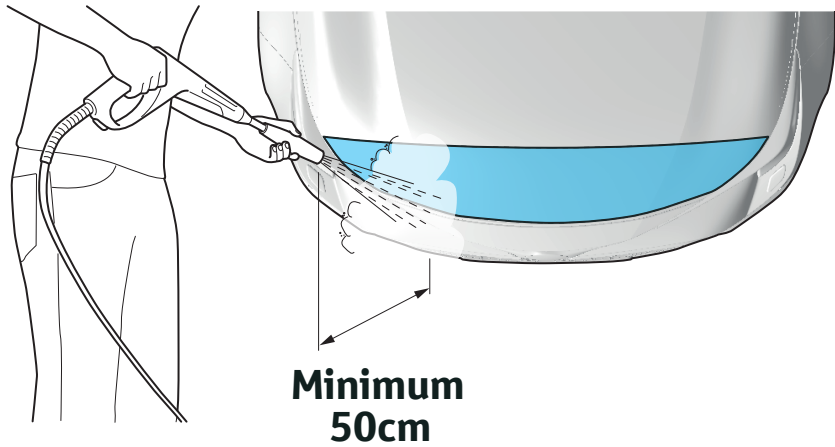
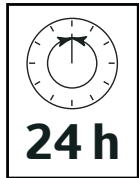
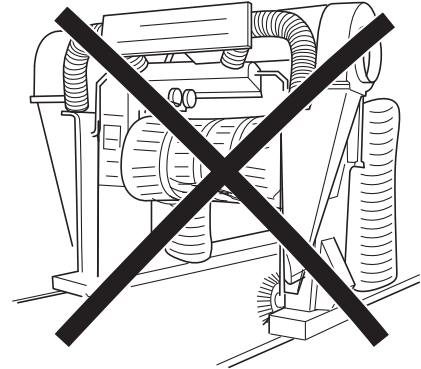
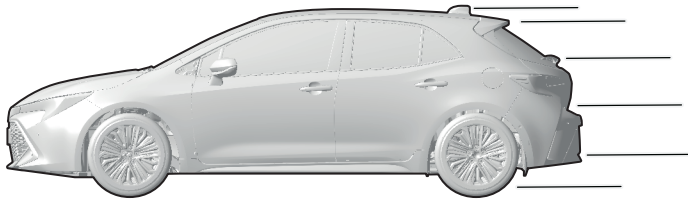
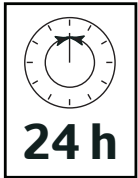


10



11

INFO





TOYOTA

CHECK SHEET

Page 1 of 1

Model/Year **Corolla**
As from 2019/01 Hood Protection Film

VIN n°

ALWAYS A BETTER WAY

DURING INSTALLATION

P/N = OK

1

= OK

2

AFTER INSTALLATION

= OK

1

Installation Date:

.. / .. / ..

Technician Name & Signature:

Stamp:

