



**TOYOTA**

ALWAYS A  
**BETTER WAY**

# GT86

## Leather seats

Check Sheet

Model year: 2012/03

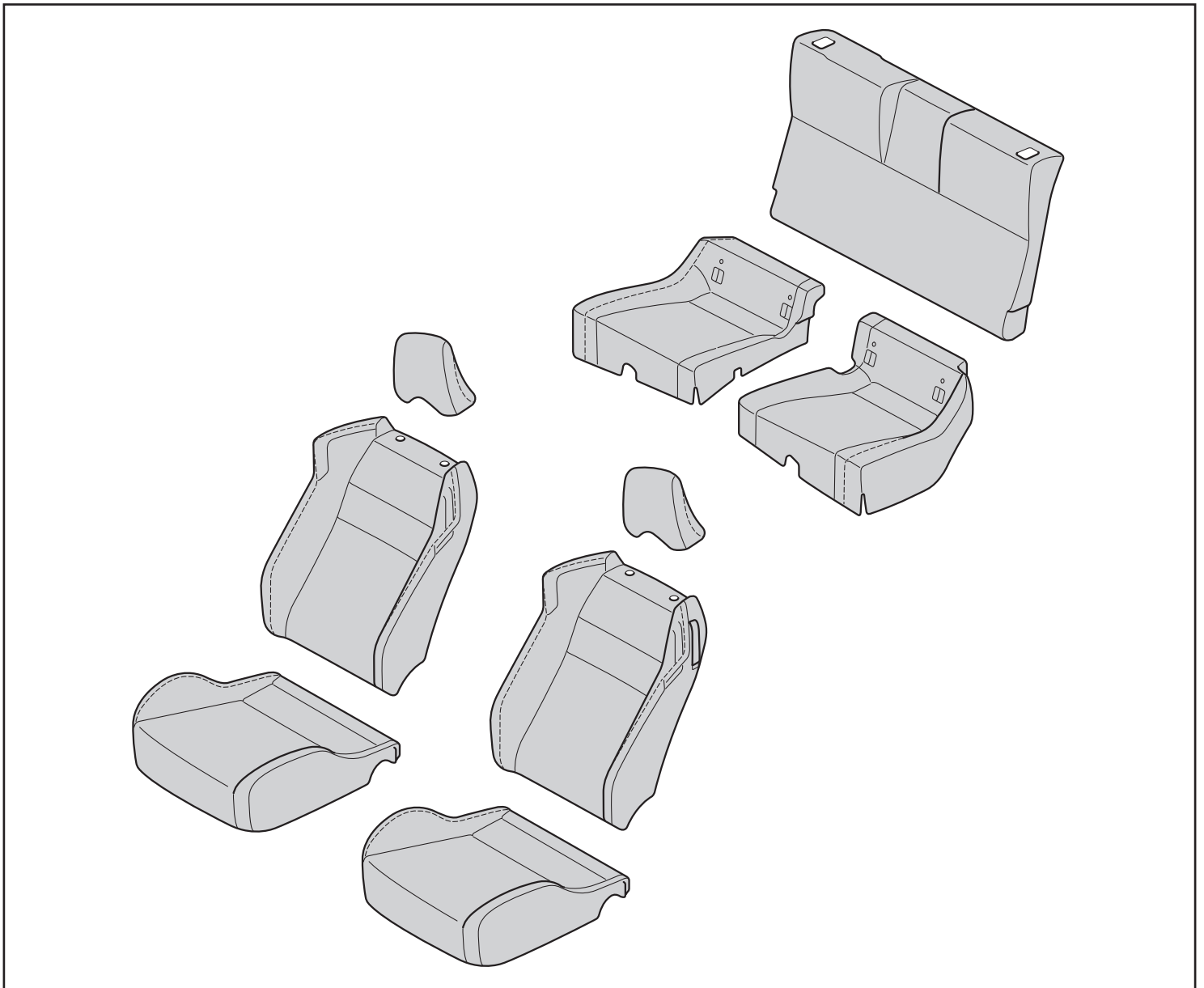
Vehicle code: ZN6-\*\*\*\*

Part number:	PZ49C-10V0A-1G	Black (LHD)
	PZ49C-10X0A-1G	Carbon (LHD)
	PZ49C-10X0B-1G	Carbon (RHD)

Manual reference number: AIM 003 356-0

# Revision record

Rev. No.	Date	Page	Picture	Update	New	Deleted steps



# CHECK SHEET



**TOYOTA**

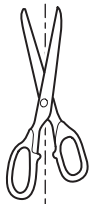
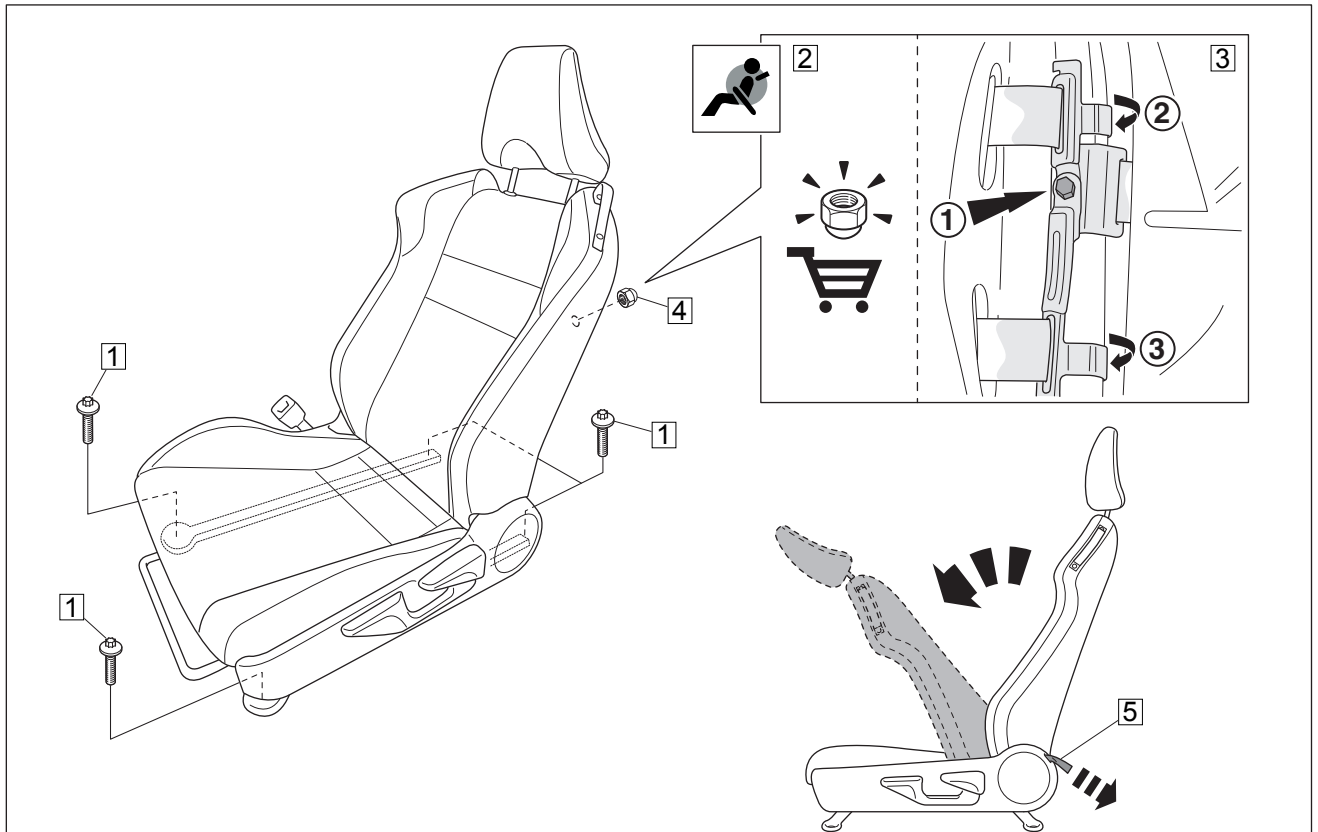
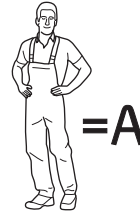
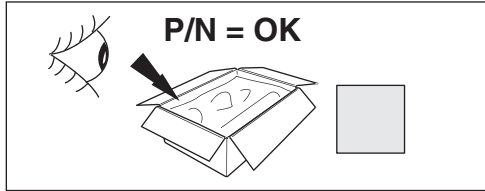
Model / Year

GT86 2012/03

Leather seats

VIN n°

ALWAYS A BETTER WAY



Serial Number



1→2→3→...						Serial Number
		A	B	A	B	
1	4x53Nm	<input type="checkbox"/>	<input type="checkbox"/>	<input type="checkbox"/>	<input type="checkbox"/>	<input type="text"/>
2		<input type="checkbox"/>	<input type="checkbox"/>	<input type="checkbox"/>	<input type="checkbox"/>	<input type="text"/>
3	①→②→③	<input type="checkbox"/>	<input type="checkbox"/>	<input type="checkbox"/>	<input type="checkbox"/>	<input type="text"/>
4	1x5.5Nm	<input type="checkbox"/>	<input type="checkbox"/>	<input type="checkbox"/>	<input type="checkbox"/>	<input type="text"/>
5	OK	<input type="checkbox"/>	<input type="checkbox"/>	<input type="checkbox"/>	<input type="checkbox"/>	<input type="text"/>



**Serial Number**

1→2→3→...		A	B
1	2x13Nm	<input type="checkbox"/>	<input type="checkbox"/>
2	2x33Nm	<input type="checkbox"/>	<input type="checkbox"/>

1→2→3→...			
1	OK	<input type="checkbox"/>	<input type="checkbox"/>
2	-	<input type="checkbox"/>	<input type="checkbox"/>
3	-	<input type="checkbox"/>	<input checked="" type="checkbox"/>
4	Min.+2°C	<input type="checkbox"/>	<input type="checkbox"/>
5	OK	<input type="checkbox"/>	<input type="checkbox"/>

**ACC**

**6 Sec.**

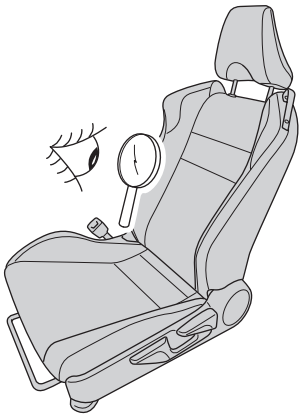
**ON** → **OFF**

A  B

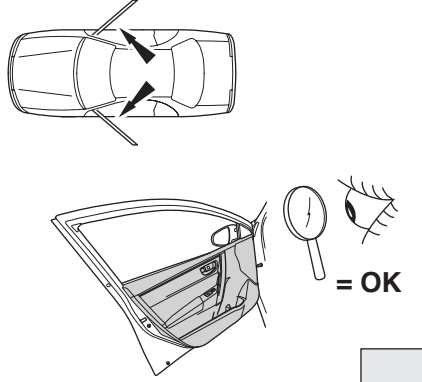
**Click**

**= OK**

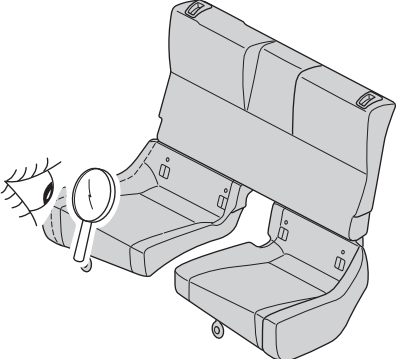
**= NOK**



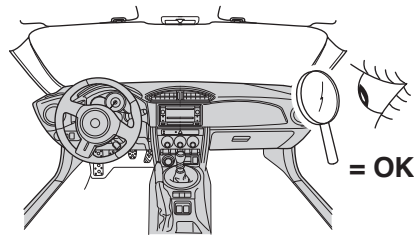
= OK  
 = NOK




= OK



= OK  
 = NOK





= OK



**5,4 Nm**

**Serial Number**


**For full Installation instructions/Repair manuals**



<http://www.toyota-tech.eu>

**Installation Date:**

**Technician Name & Signature:**

**Stamp:**