



TOYOTA

ALWAYS A
BETTER WAY

Prius+

Scuff Plates

Installation Instruction

Model year: 2012/04, 2014/11

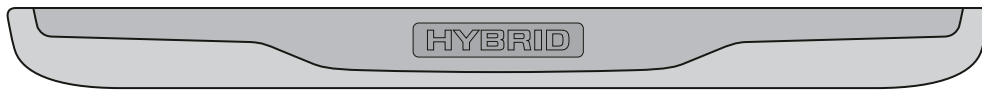
Vehicle code: ZVW40*-AWXEBW

Part number: PZ438-G5180-00

Manual reference number: AIM 002 613 - 2

Revision Record

Rev. No.	Date	Page	Picture	Update	New	Deleted steps
2	25.05.2018	2-6		Tools	4, 5, 6, 11	



PZ438-G5180-00 LHS=RHS

A

2x

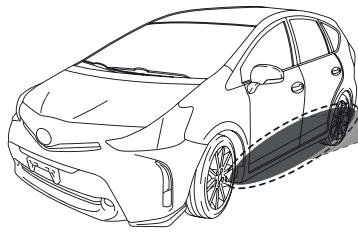
<p style="text-align: center;">? °C</p>	<p style="text-align: center;">+ °C</p>	<p style="text-align: center;">3M</p> <p style="text-align: center;">Adhesion Promoter PZ415-00000-00</p> <p style="text-align: right;">1x</p>	
	<p style="text-align: center;"> AIM 003-516-*</p>		

INFO

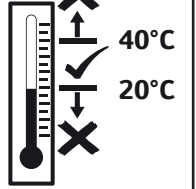
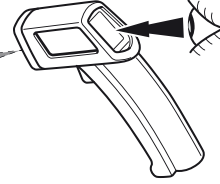
Material Safety Data Sheet



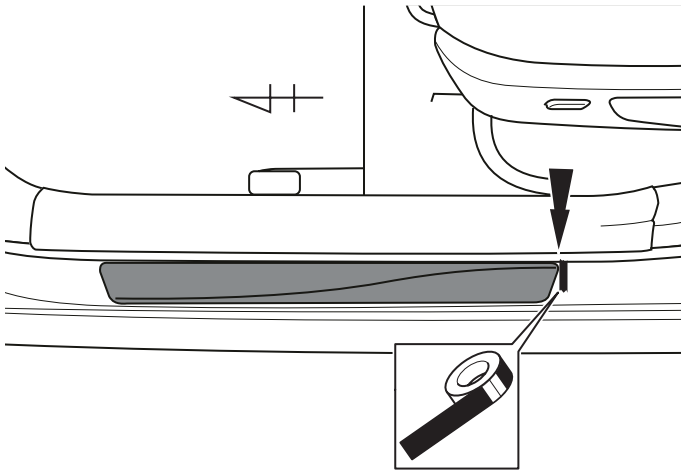
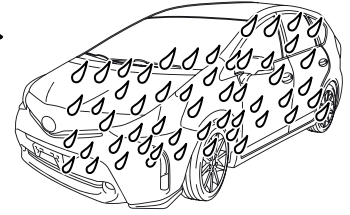
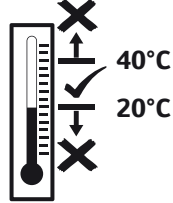
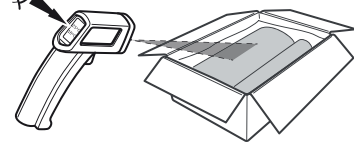
Technical Data Sheet



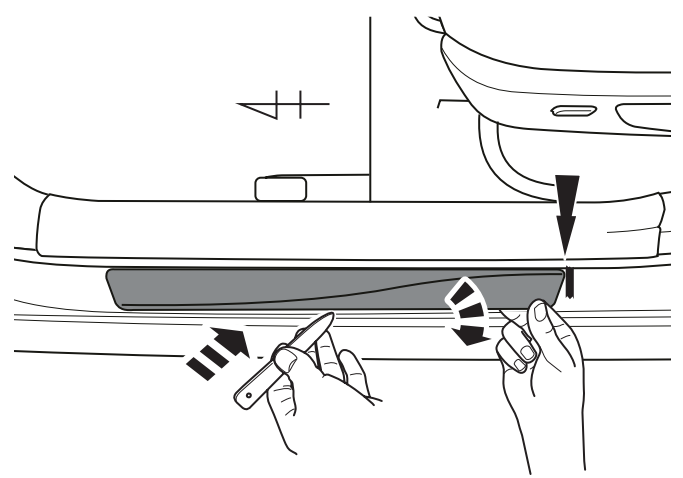
20°C - 40°C



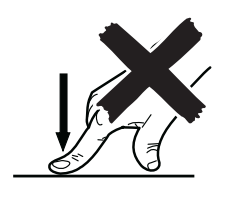
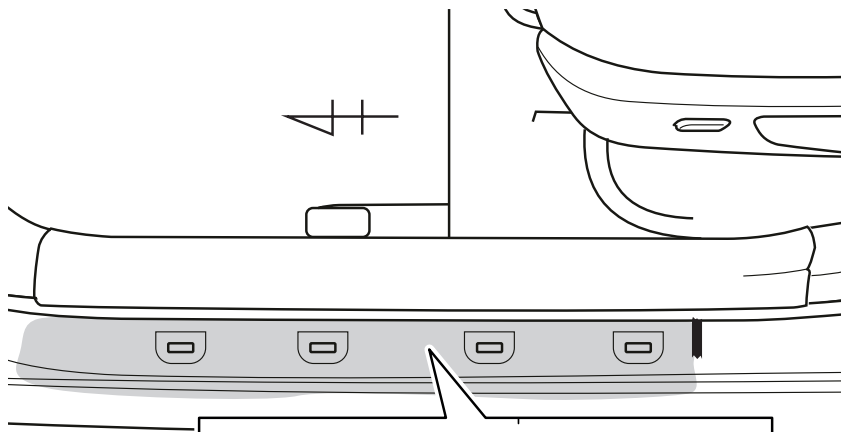
20°C - 40°C



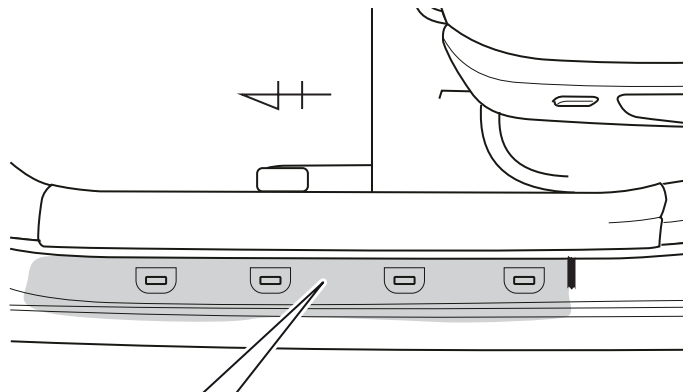
1



2



3



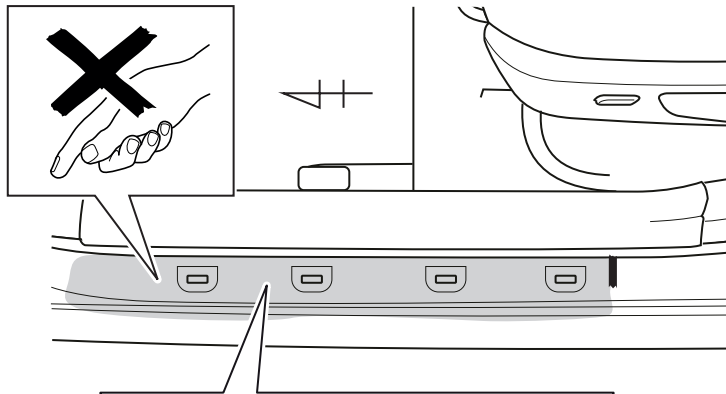
<p>1</p>	<p>< 20°C → 2</p> <p>20°C - 40°C → 5</p>	<p>2</p>
<p>3</p>	<p>20°C - 40°C → 5</p>	<p>INFO</p>

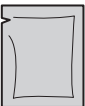

4



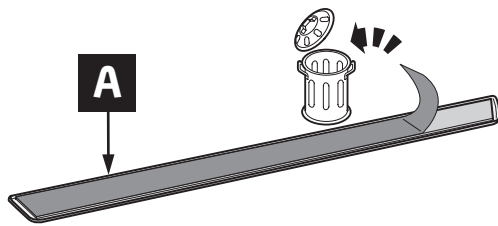
<p>1</p>	<p>< 20°C → 2</p> <p>20°C - 40°C → 6</p>	<p>2</p>
<p>3</p>	<p>20°C - 40°C → 6</p>	<p>INFO</p>

5

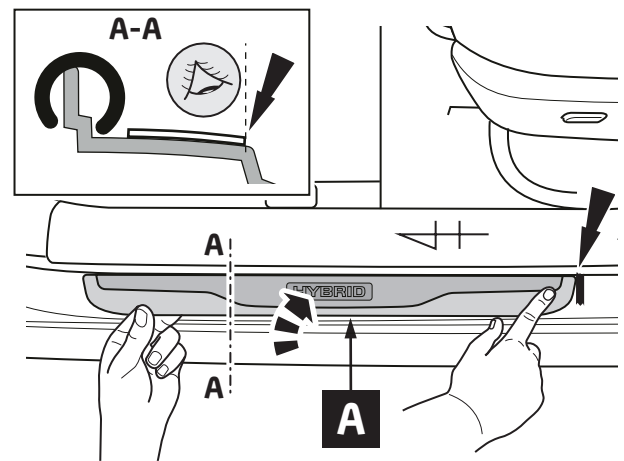


1  Adhesion Promoter	2  → 8 ≥ 45 sec. < 1 hour
---	--

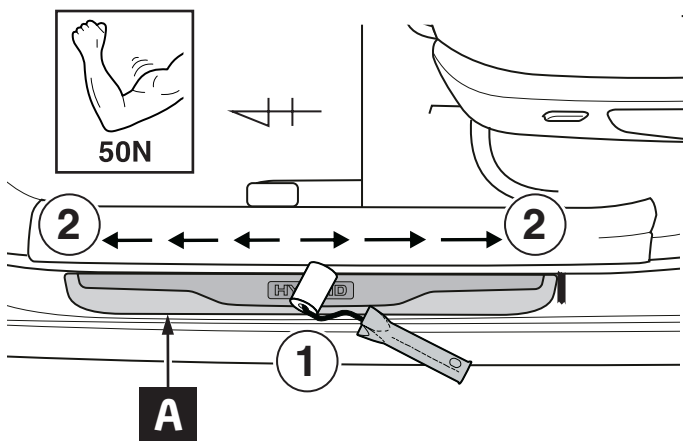
6



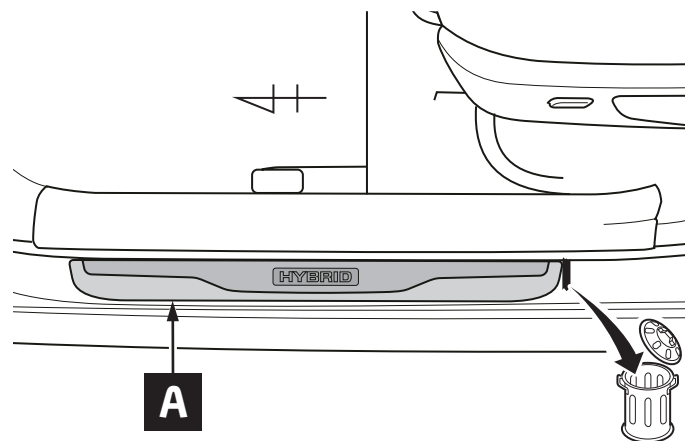
7



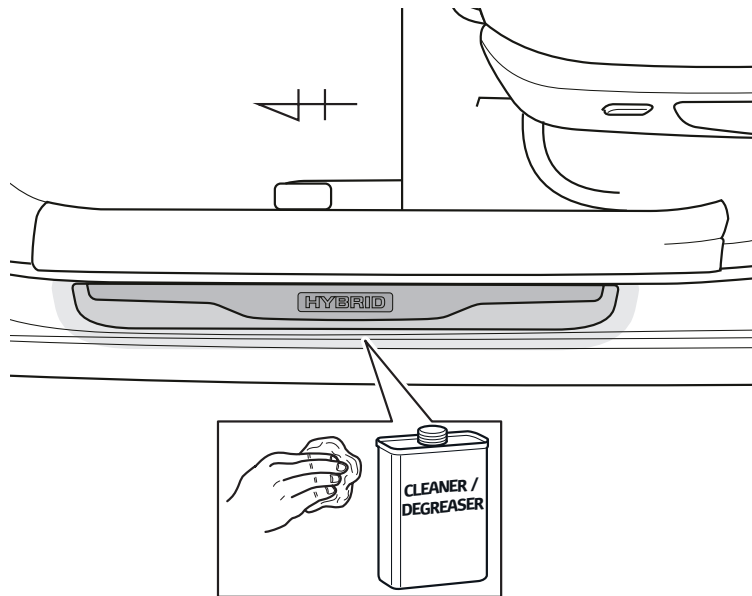
8



9

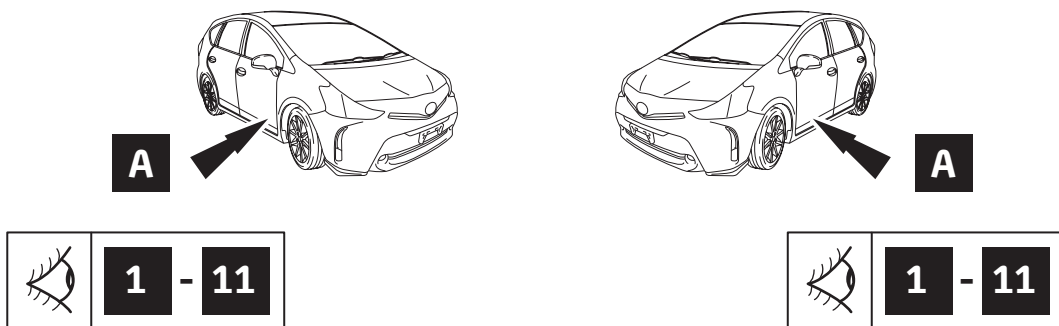


10



11

RHS = LHS



12



CHECK SHEET

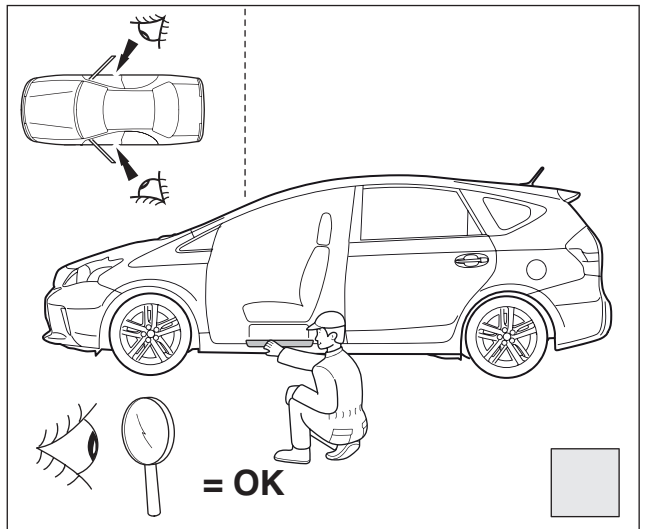
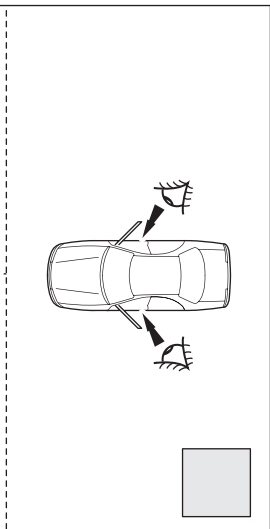
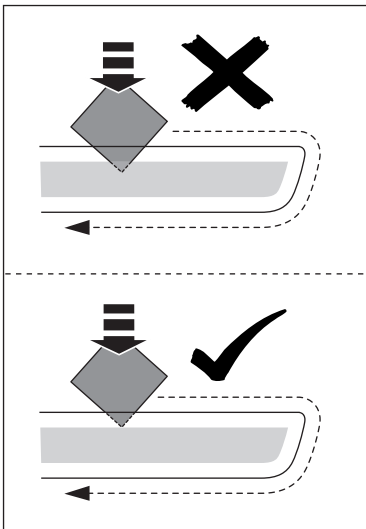
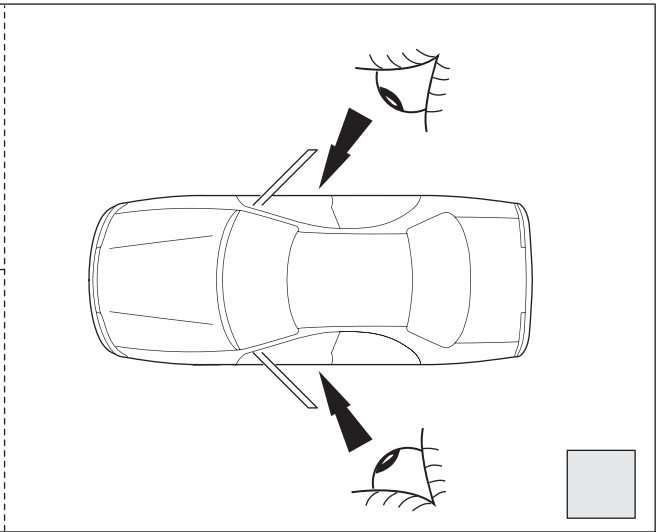
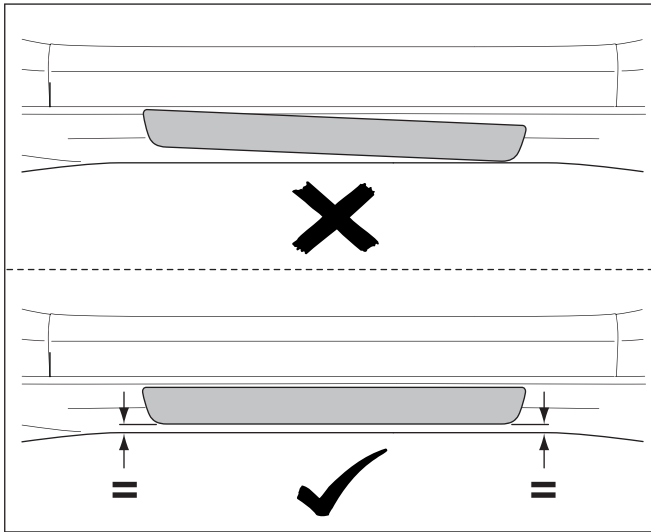
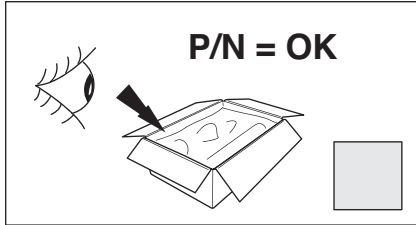


TOYOTA

Model / Year **Prius+**
2012/04, 2014/11 Scuff Plates

VIN n°

ALWAYS A
 BETTER WAY



Installation Date:
 . . / . . /

Technician Name & Signature:

Stamp:

