



TOYOTA

ALWAYS A
BETTER WAY

RAV4 RAV4 Plug-In Hybrid

Scuff plates

Installation Instructions

Model year: as from 2018/11, 2020/06 (Plug-In Hybrid)

Vehicle code: *XA*5**-AN**B*

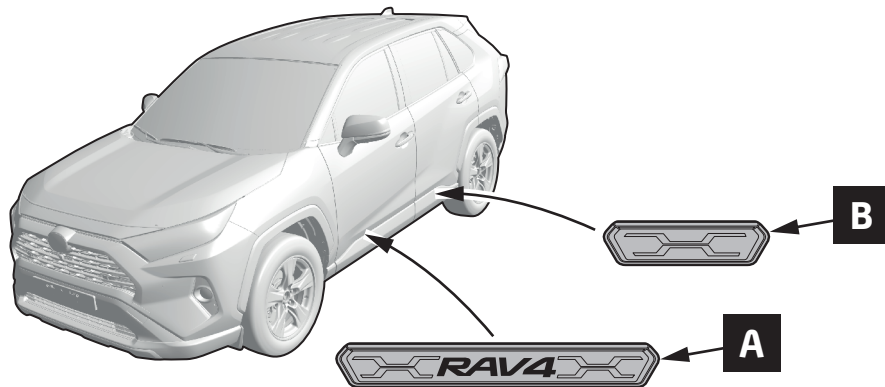
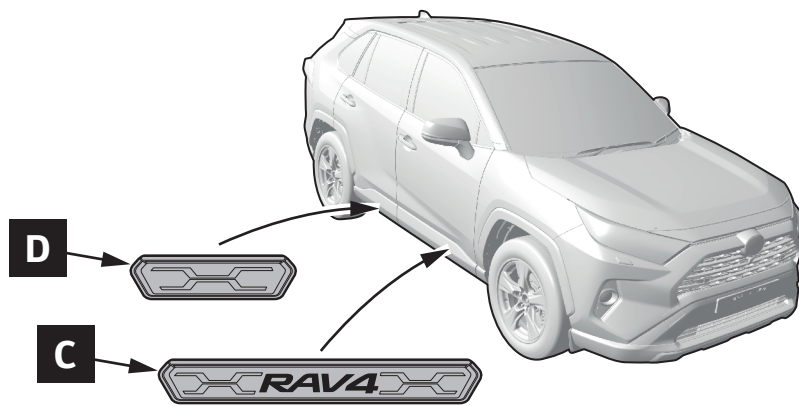
Part number: PK382-42K01-E1

Manual reference number: AIM 004 325-2

Revision record

Rev. No.	Date	Page	Step	Remarks
△ ₁	22.01.2020	1, 11		Model year added.
△ ₂	11.02.2020	1, 11		Model year updated.

PK382-42K01-E1



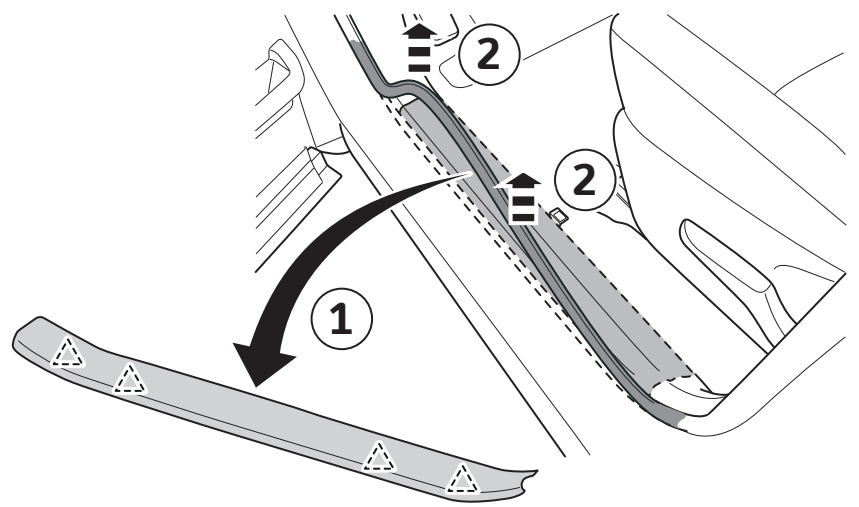
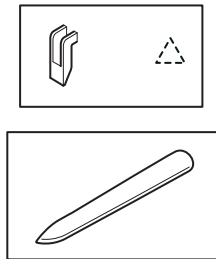
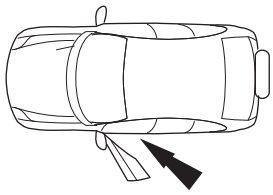
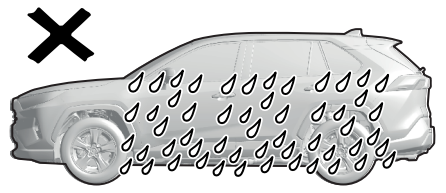
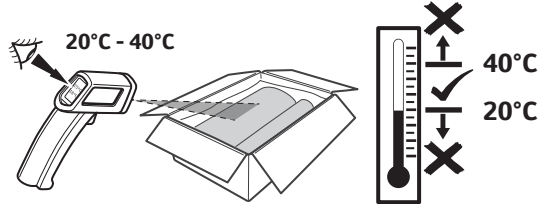
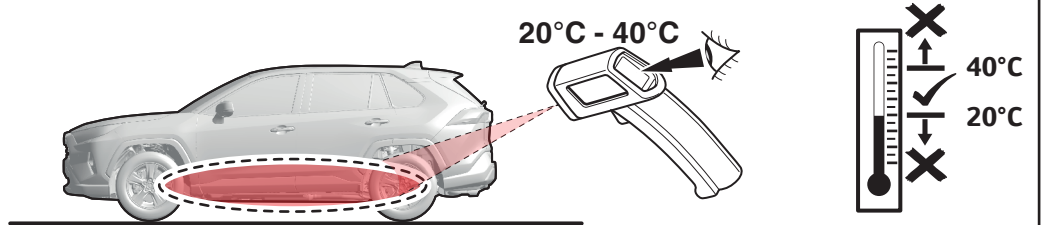
1x

INFO

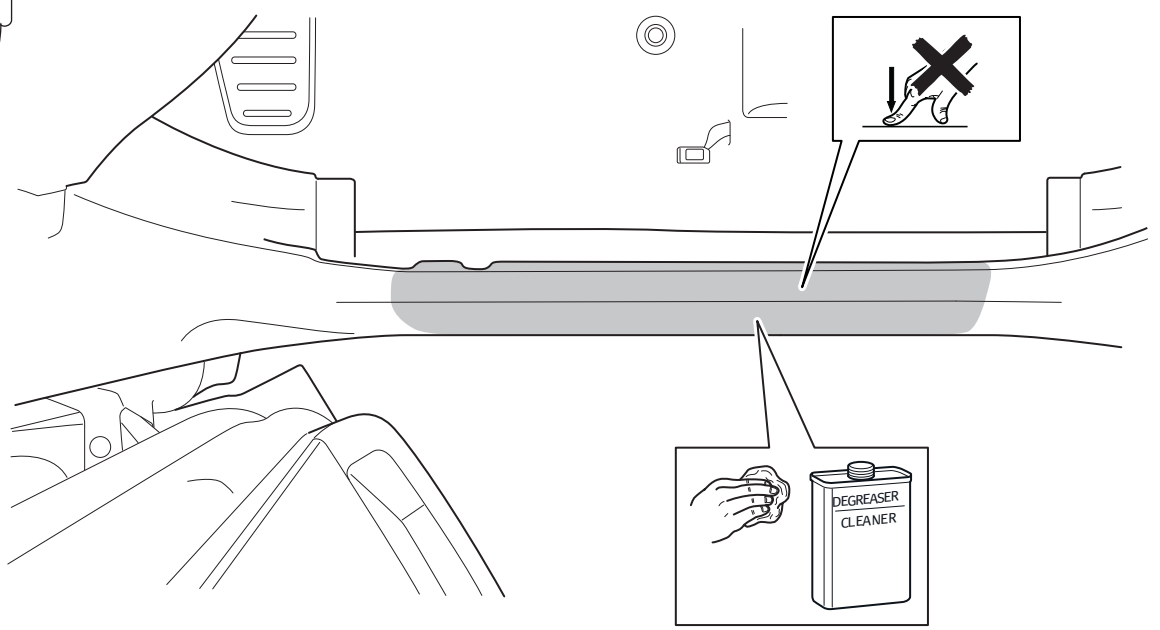
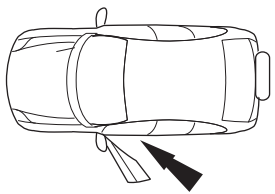
Material Safety Data Sheet



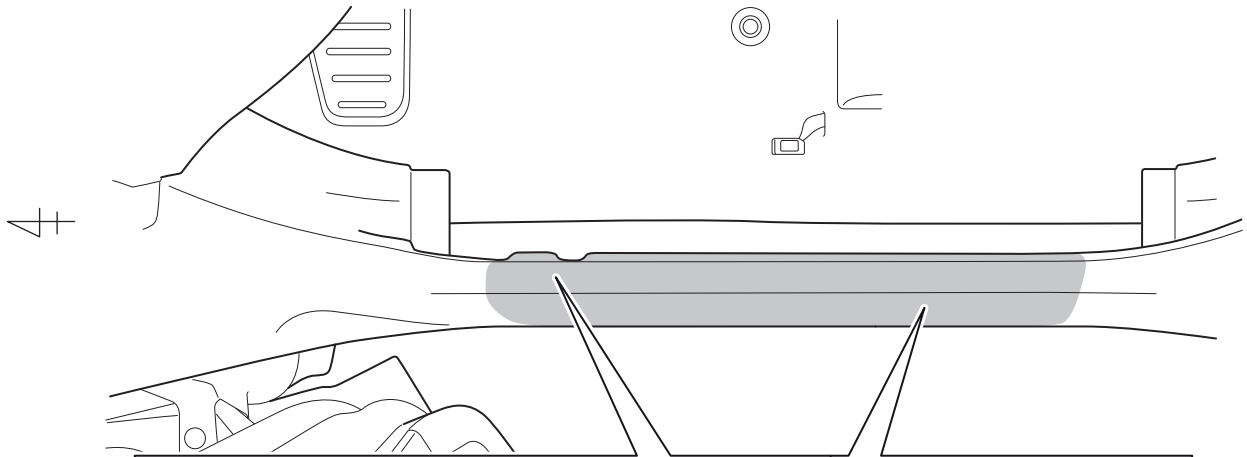
Technical Data Sheet



1



2



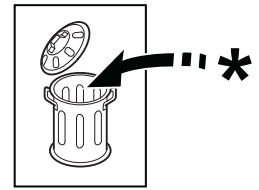
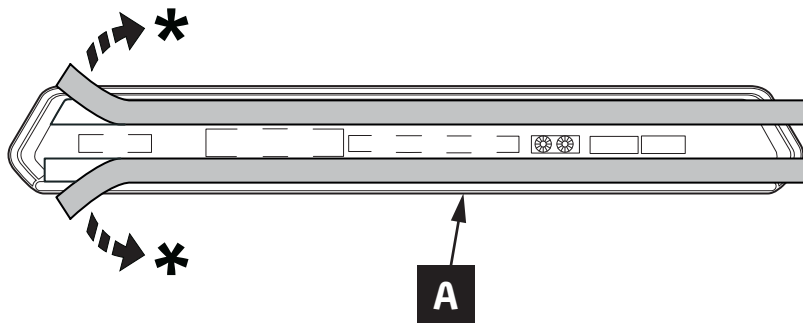
<p>1</p> <p>?°C</p>	<p>< 20°C → 2</p> <p>20°C - 40°C → 4</p>	<p>2</p> <p>+°C</p>
<p>3</p> <p>?°C</p>	<p>20°C - 40°C → 4</p>	<p>INFO</p>

3

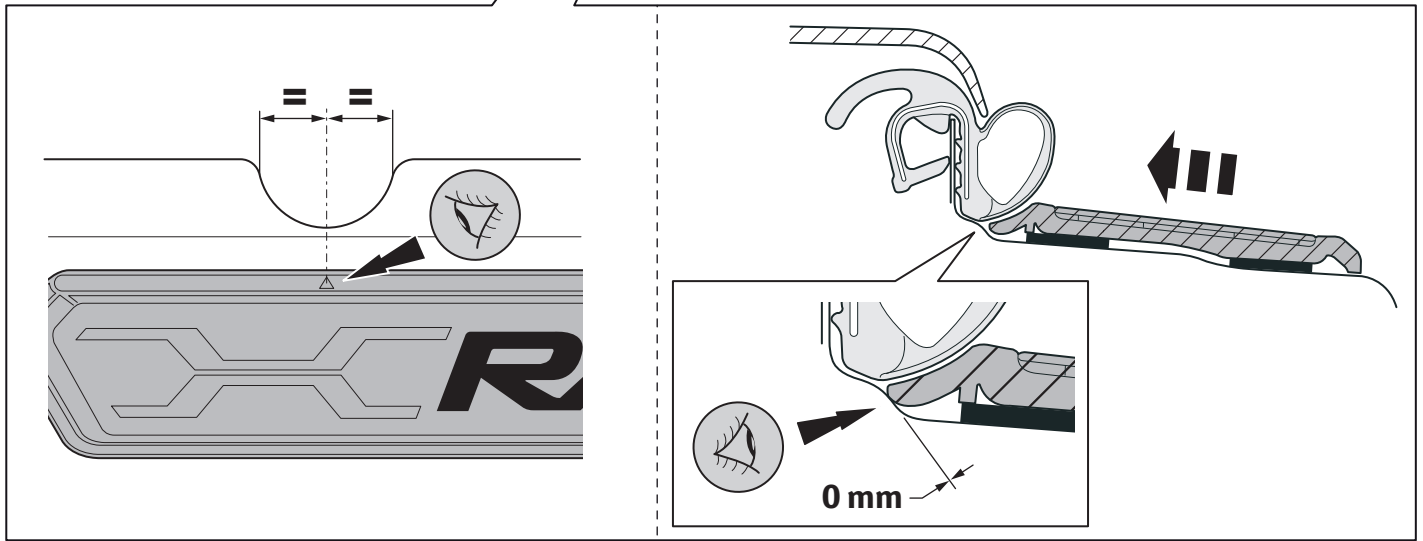
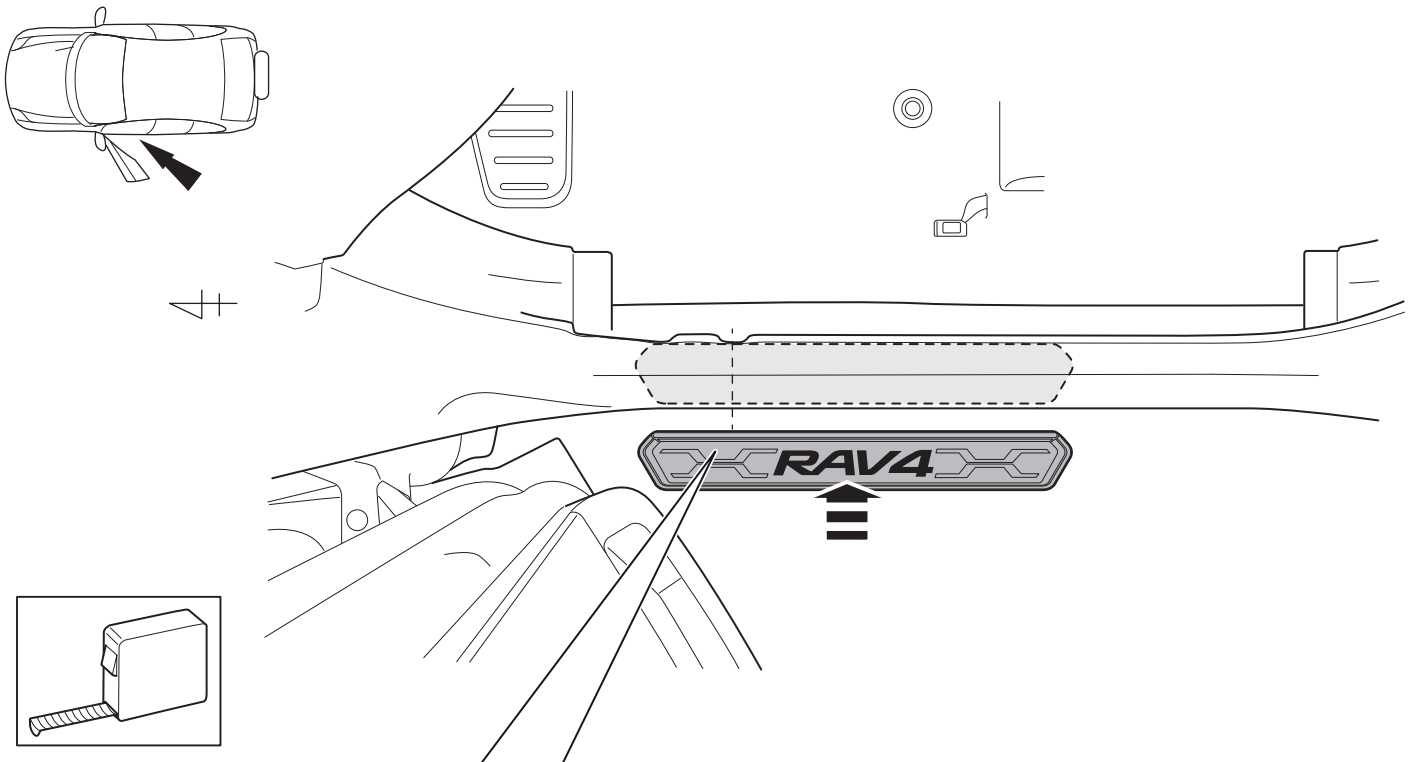


<p>1</p> <p>?°C</p>	<p>< 20°C → 2</p> <p>20°C - 40°C → 5</p>	<p>2</p> <p>+°C</p>
<p>3</p> <p>?°C</p>	<p>20°C - 40°C → 5</p>	<p>INFO</p>

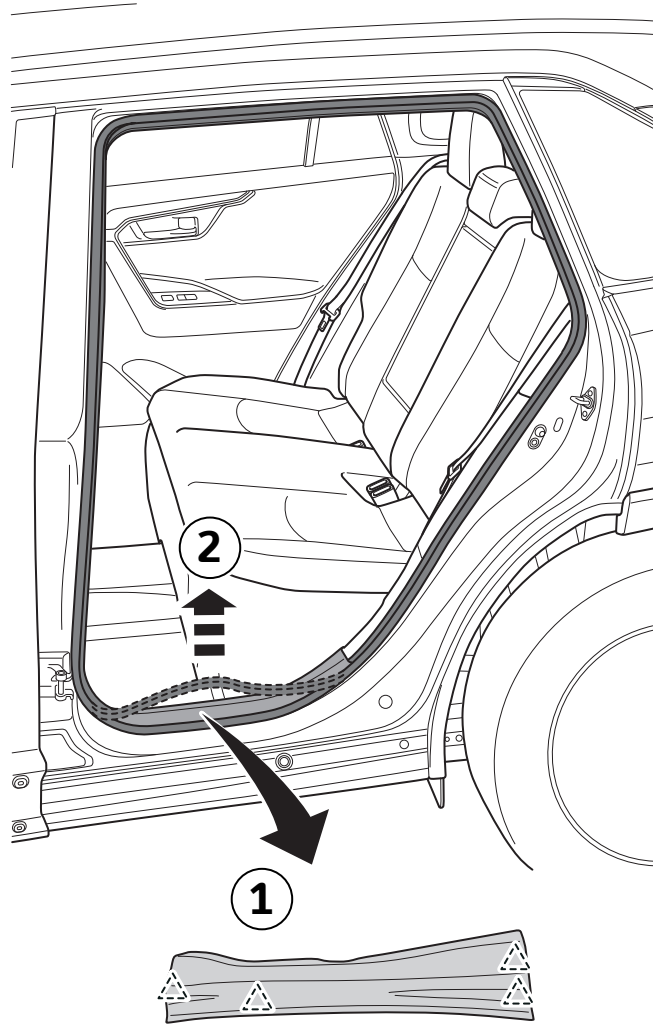
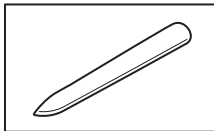
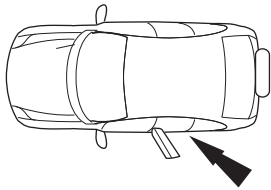
4



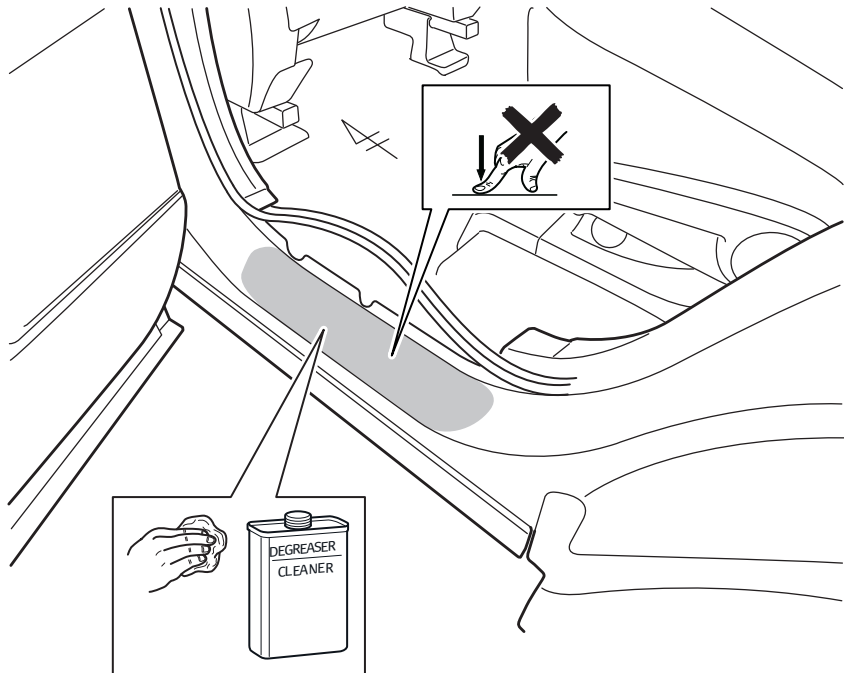
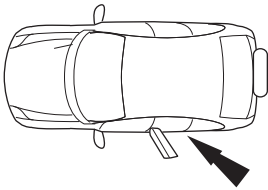
5



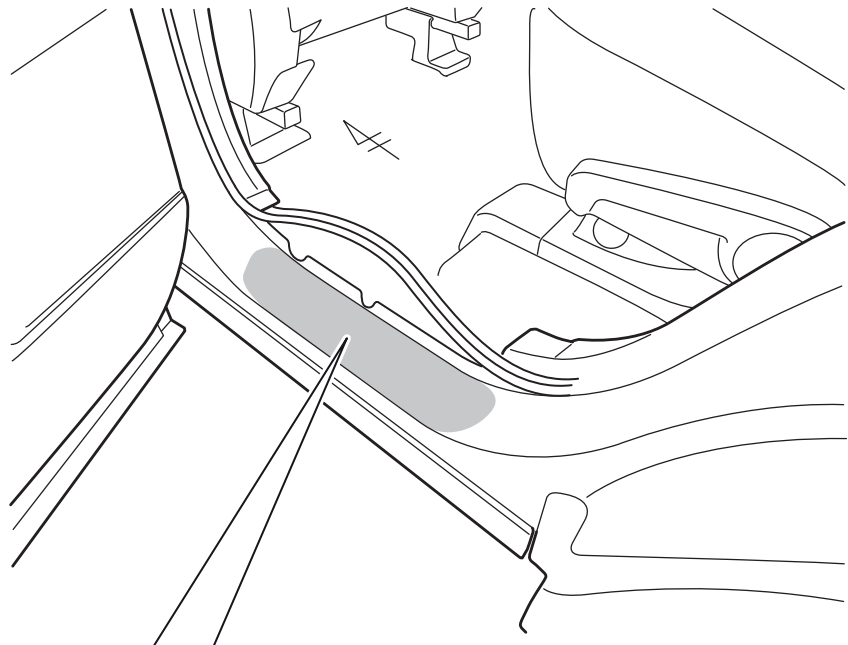
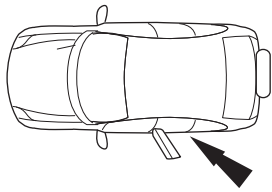
6



9

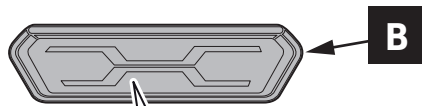


10



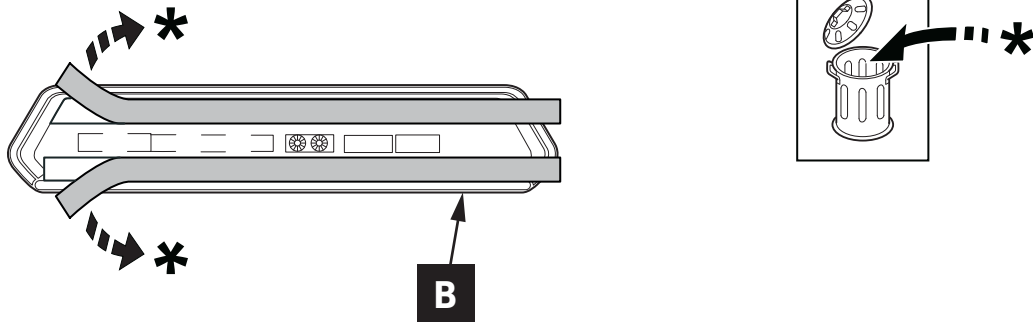
<p>1</p>	<p>< 20°C → 2</p> <p>20°C - 40°C → 12</p>	<p>2</p>
<p>3</p>	<p>20°C - 40°C → 12</p>	<p>INFO</p>

11

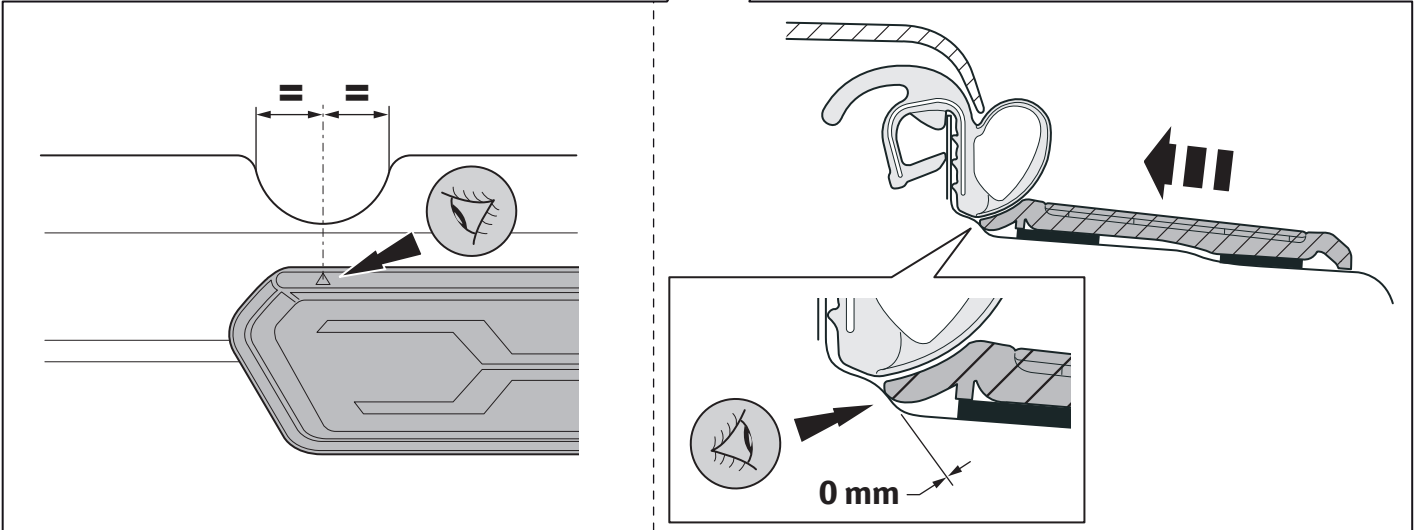
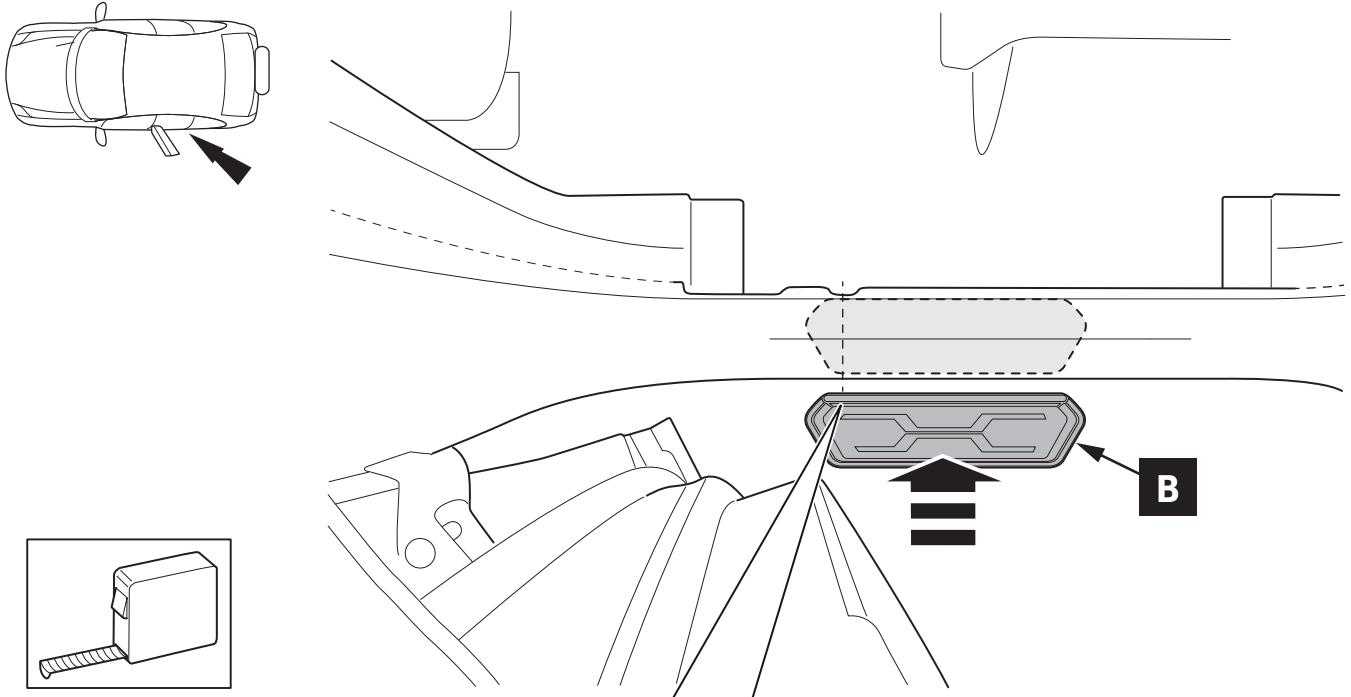


<p>1</p>	<p>< 20°C → 2</p> <p>20°C - 40°C → 13</p>	<p>2</p>
<p>3</p>	<p>20°C - 40°C → 13</p>	<p>INFO</p>

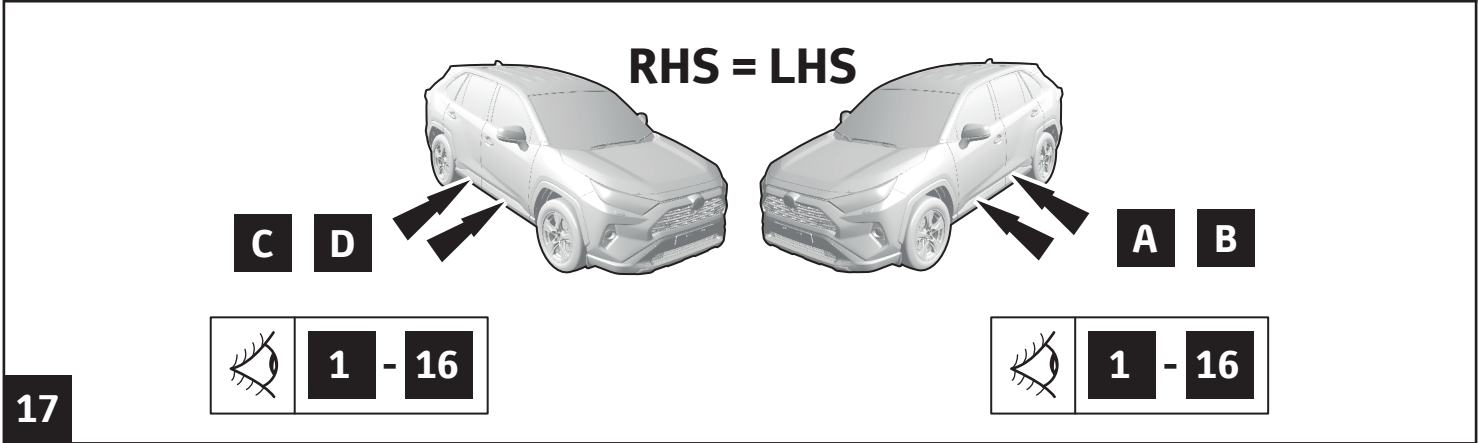
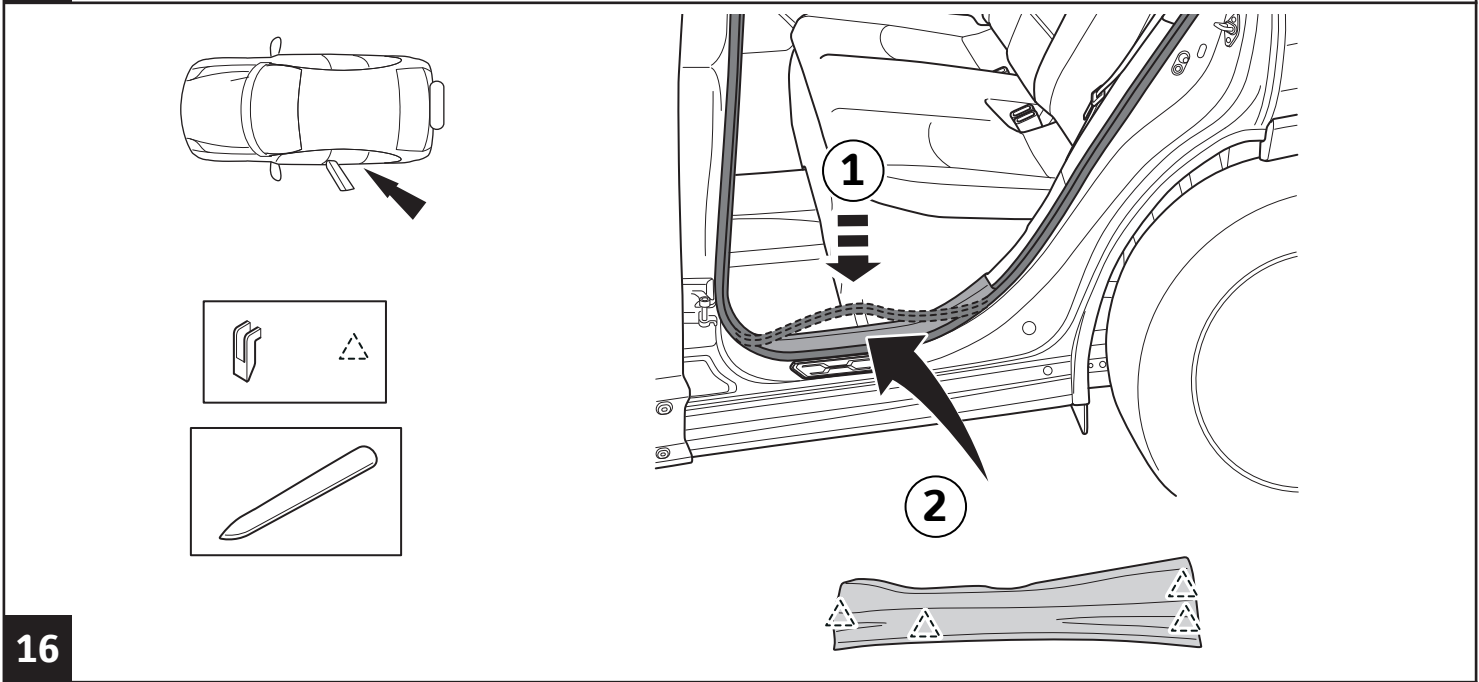
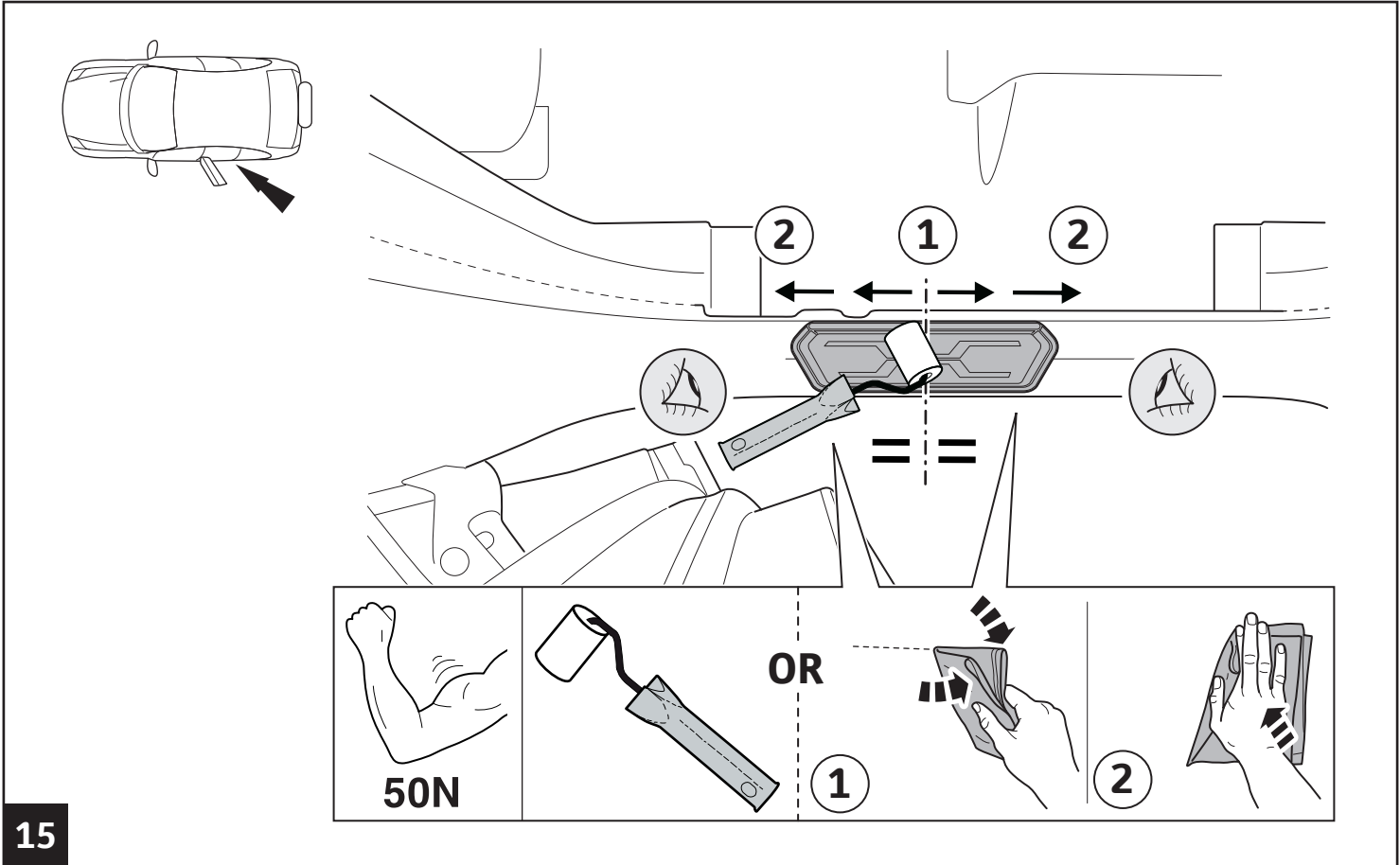
12



13



14





TOYOTA

ALWAYS A
BETTER WAY

CHECK SHEET

Page 1 of 1

RAV4

Model/Year as from 2018/11,
2020/06 (Plug-In Hybrid)

Scuff plates

VIN n°

DURING INSTALLATION

1

P/N = OK

AFTER INSTALLATION

1

4x

2

4x

3

= OK

Installation Date:

... / ... / ...

Technician Name & Signature:

Stamp:

