

PROACE PROACE Verso PROACE Electric PROACE Verso Electric

Rear bumper protection plate, plastic

Installation Instructions



TOYOTA

ALWAYS A
BETTER WAY

Model year: As from 2016/02 (PROACE)
As from 2016/03 (PROACE Verso)
As from 2020/10 (PROACE Electric)
As from 2021/01 (PROACE Verso Electric)

Vehicle code: M*****-L****W

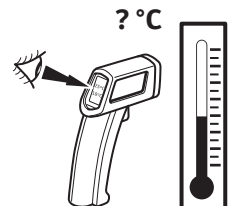
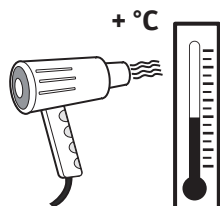
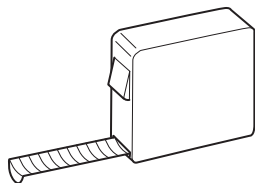
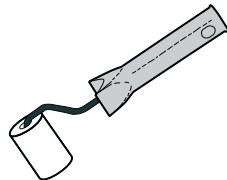
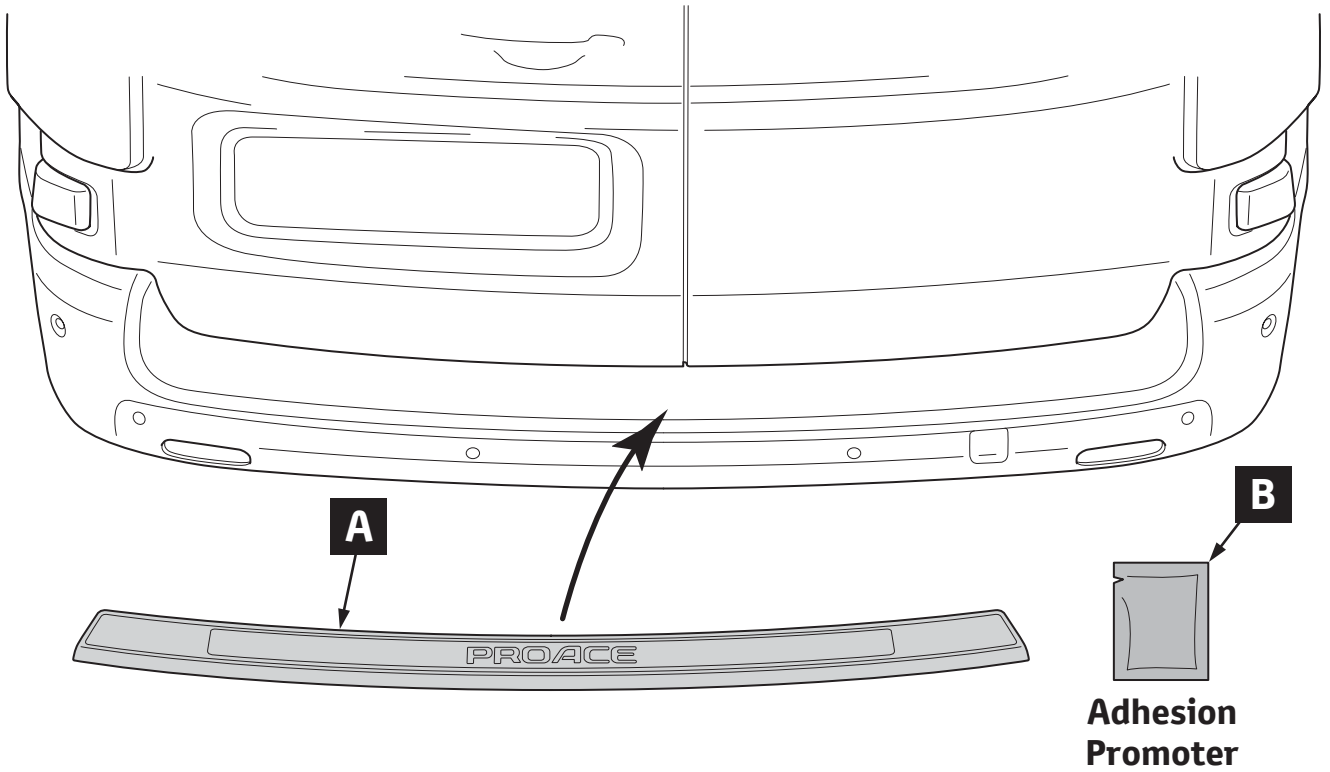
Part number: PZ4L1-H0540-00

Manual reference number: AIM 003 770-2

Revision record

Rev. No.	Date	Page	Step	Remarks
△ ₂	06.07.2020	1, 13		Model, Model year & Veh.code added.
△ ₂	06.07.2020	5, 6	5A, 5B	90° added.
△ ₂	06.07.2020	9-10	11, 13	Tape updated.
△ ₂	06.07.2020	12	Information	Updated.

PZ4L1-H0540-00



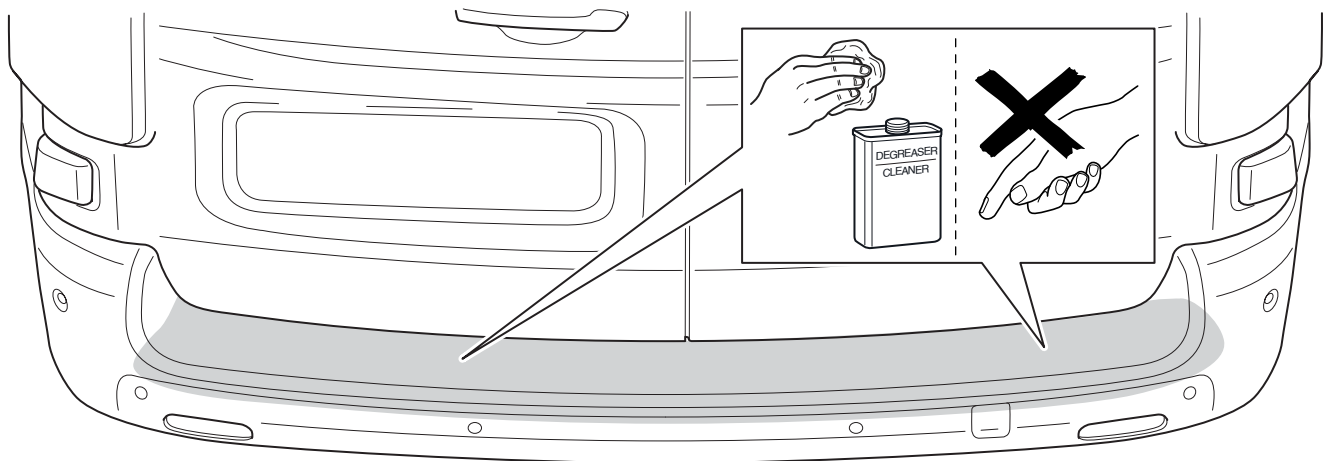
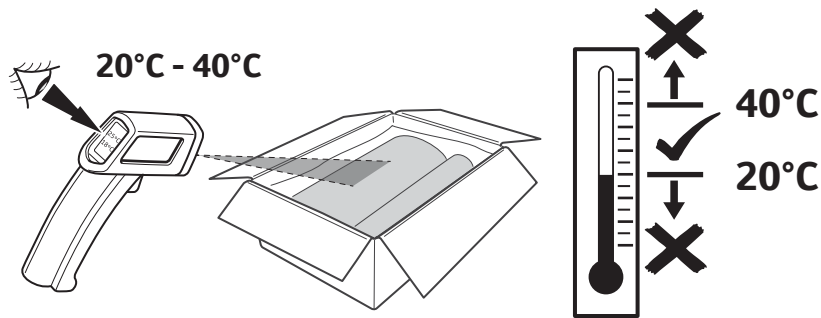
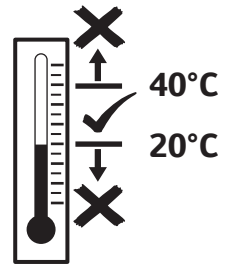
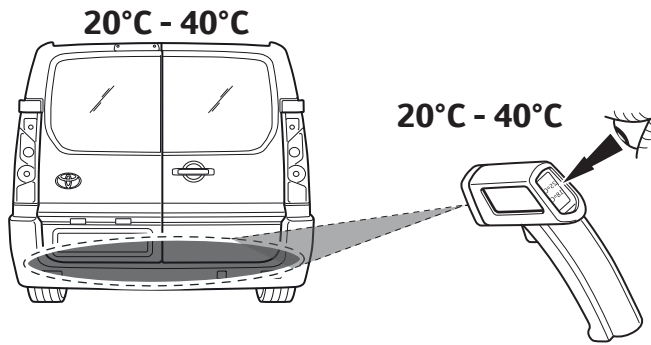
INFO

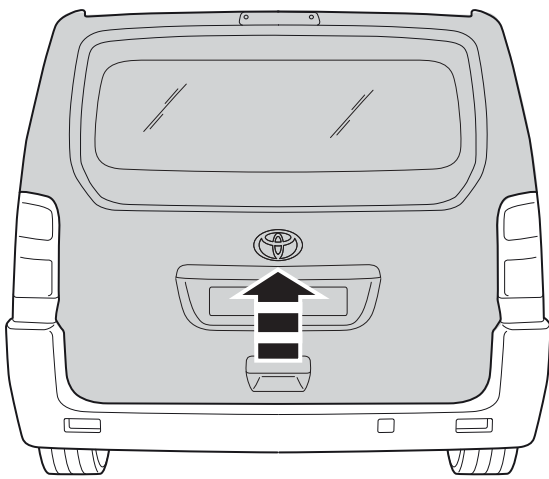


Material Safety Data Sheet

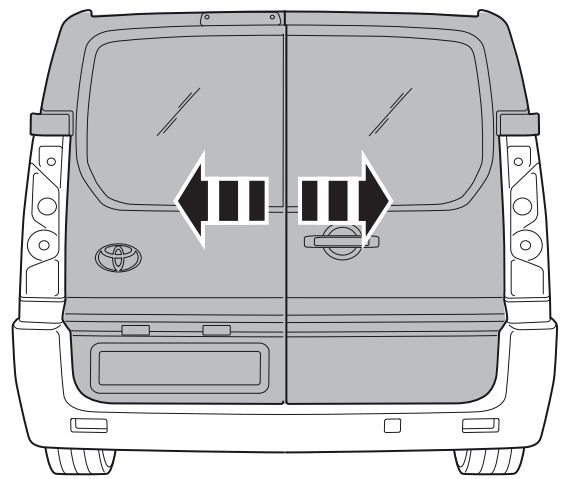


Technical Data Sheet

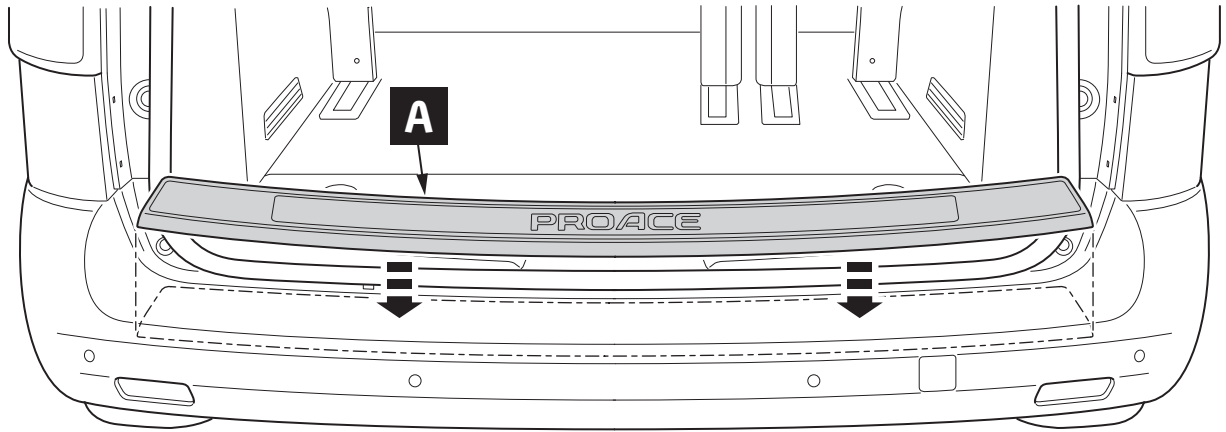




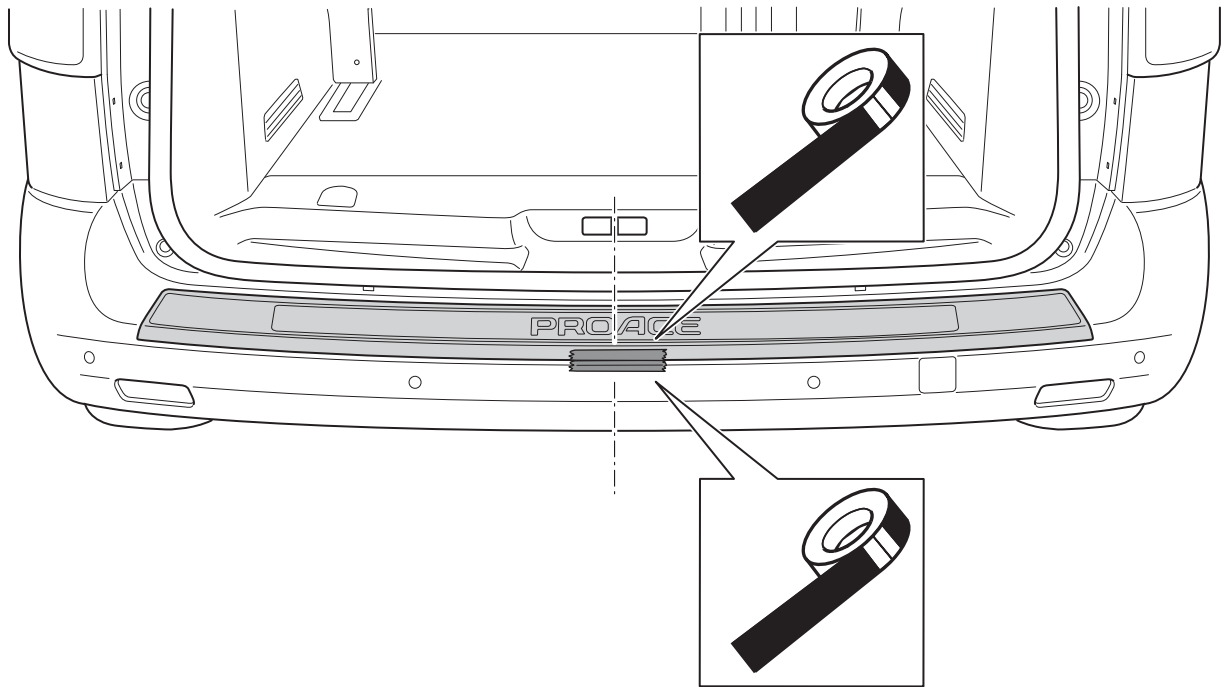
or



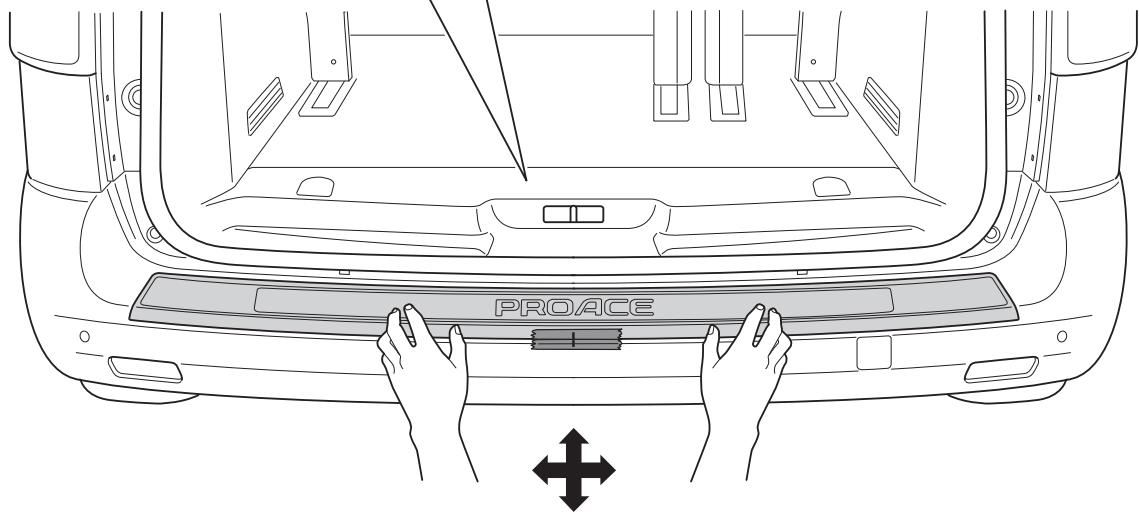
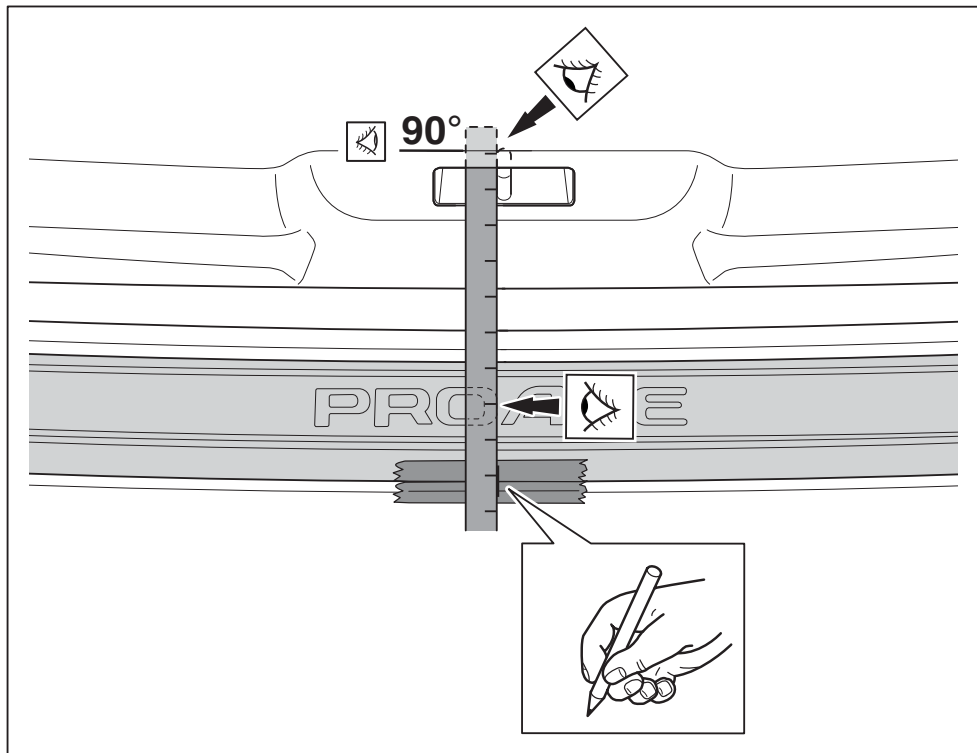
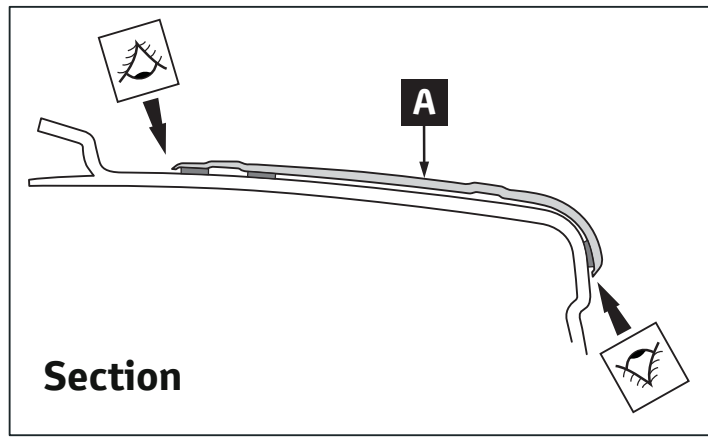
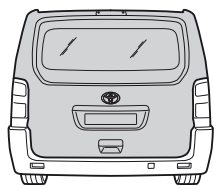
2



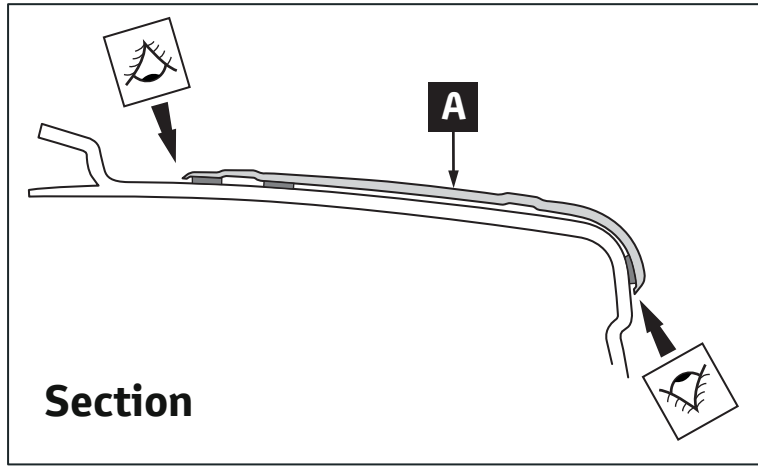
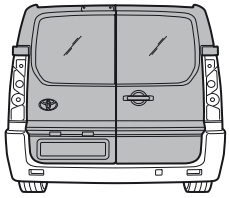
3



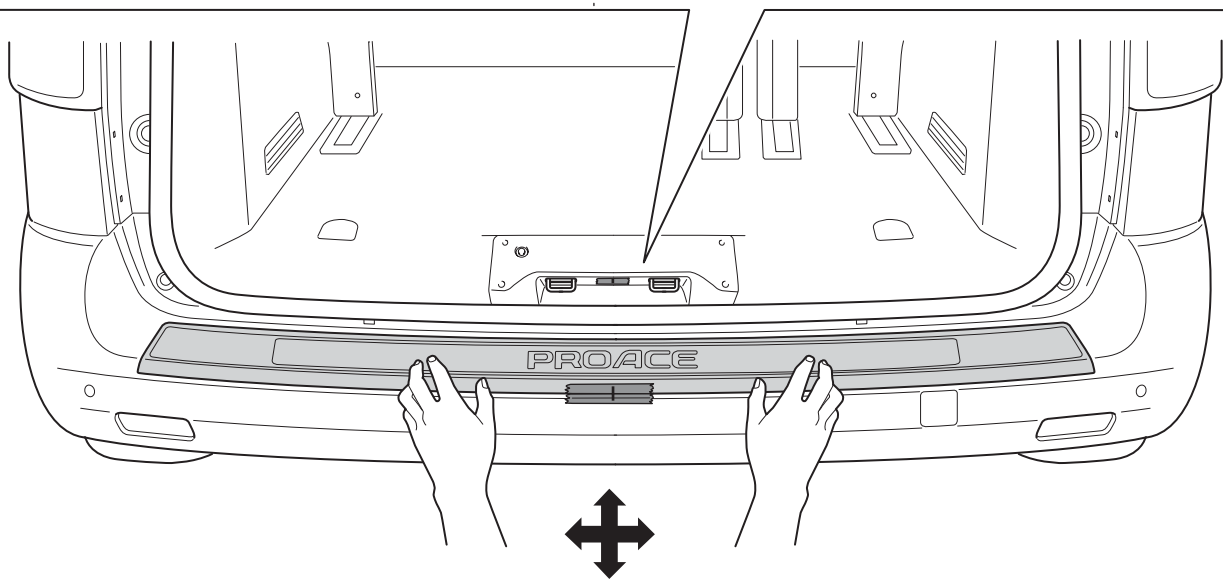
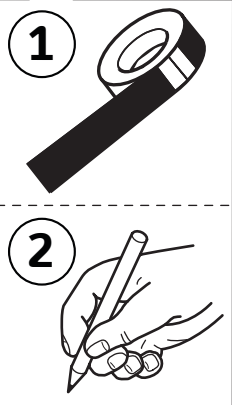
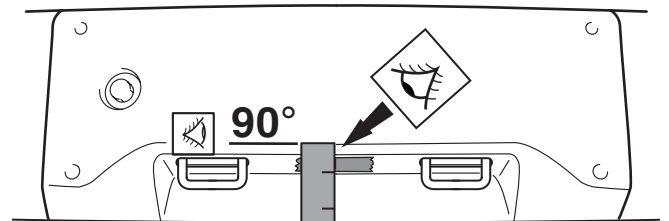
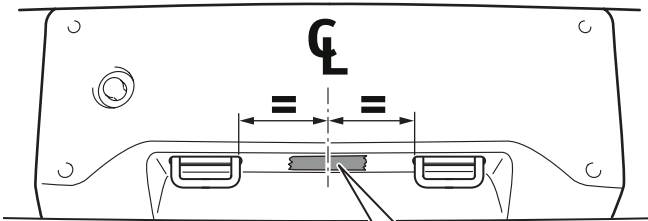
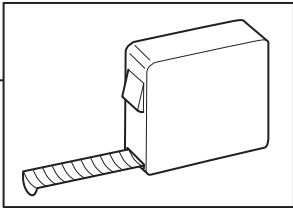
4



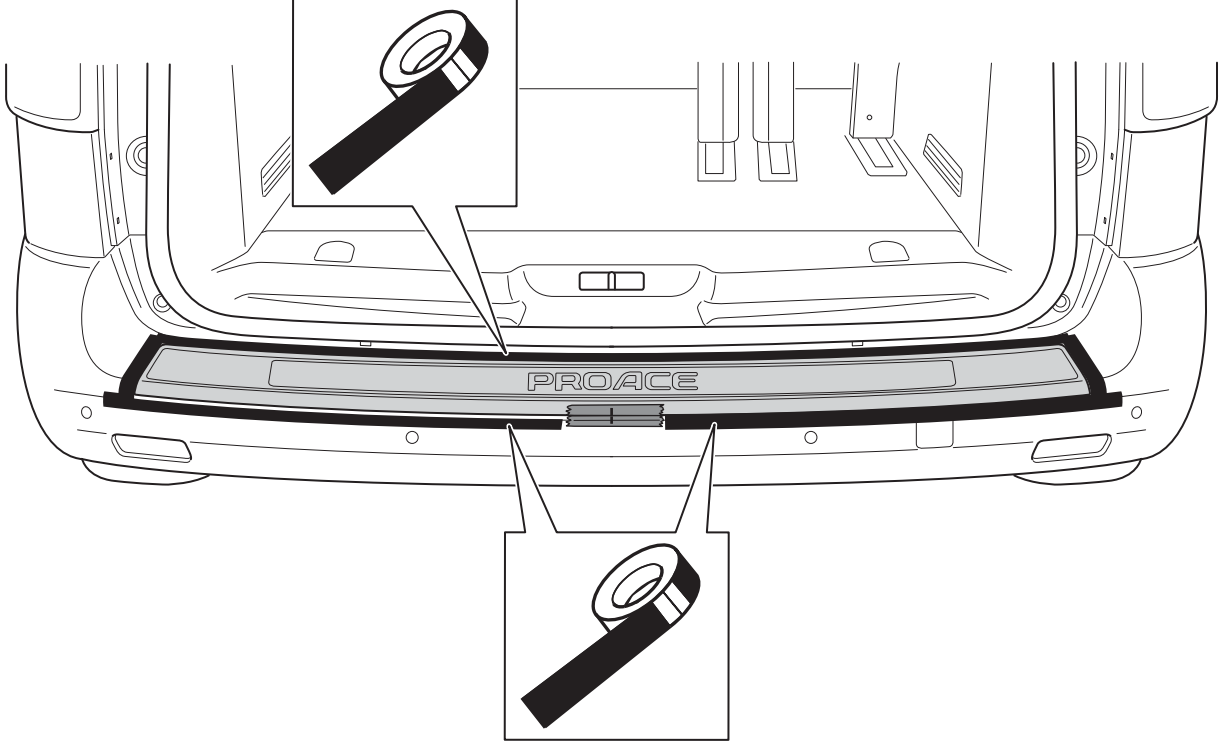
5A



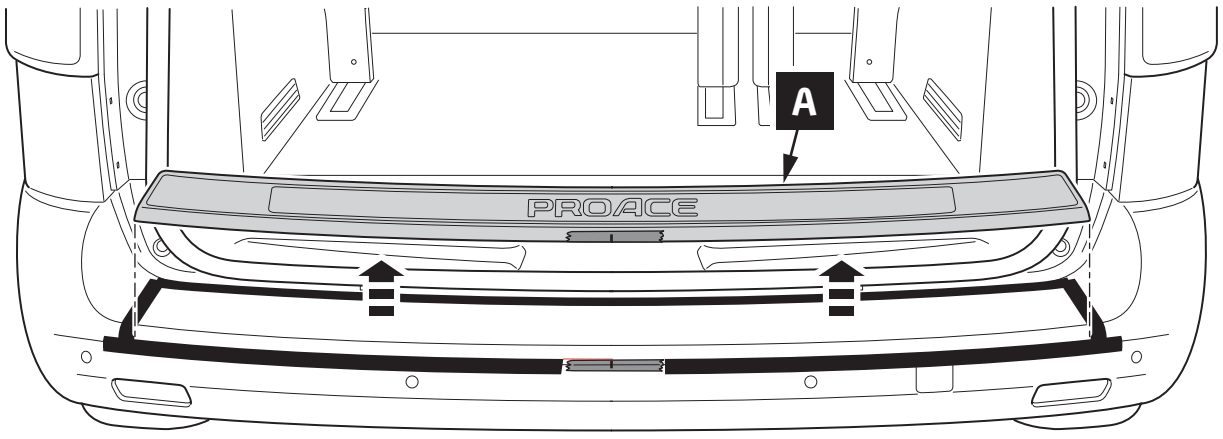
Section



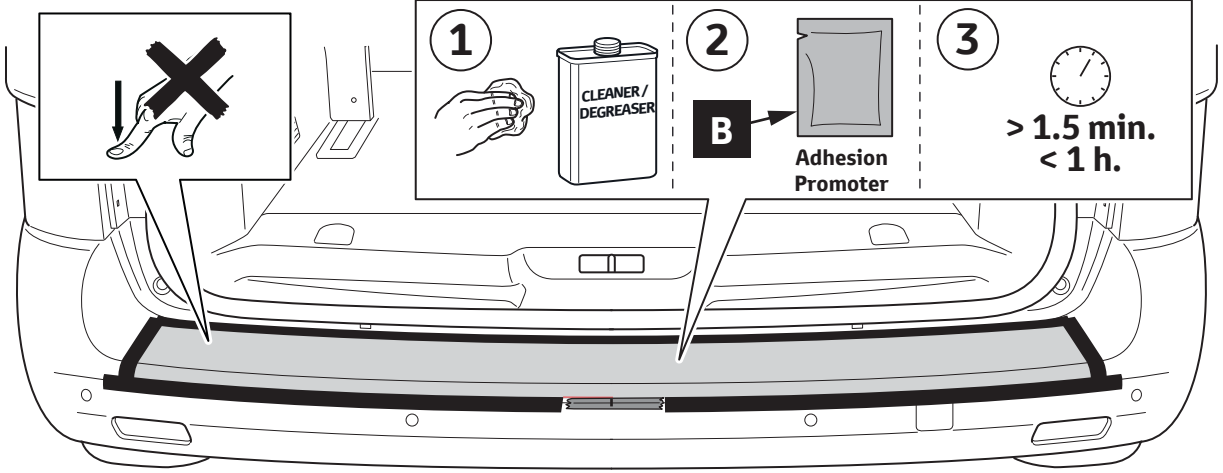
5B



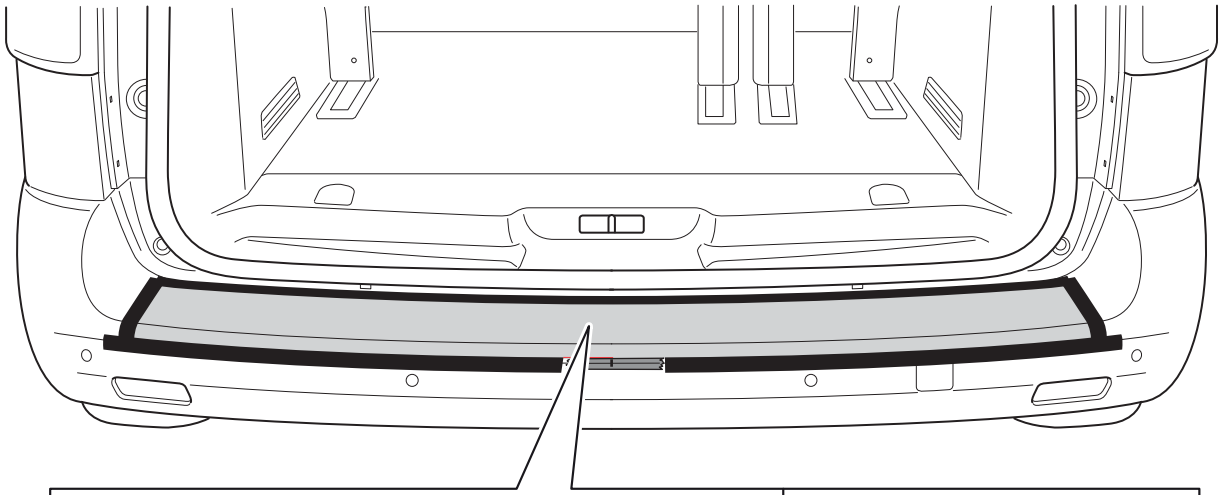
6



7

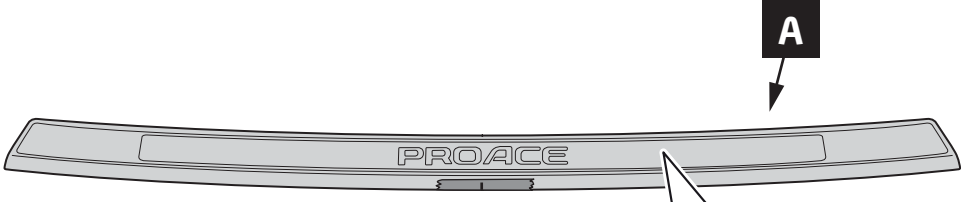


8



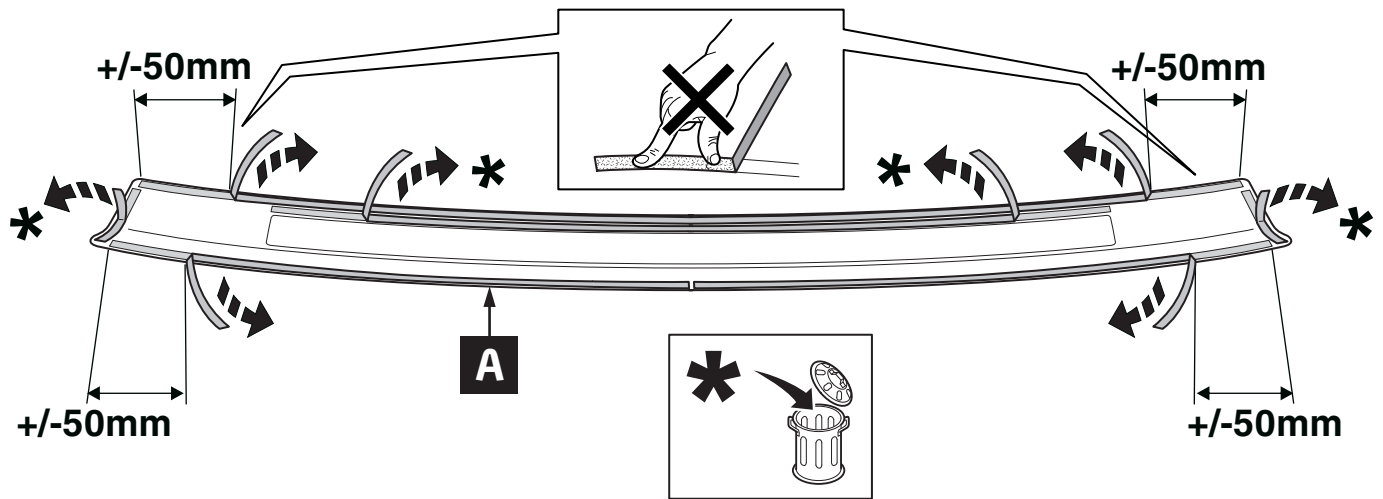
<p>1</p> <p>? °C</p>	<p>< 20°C → 2</p> <p>20°C - 40°C → 10</p>	<p>2</p> <p>+ °C</p>
<p>3</p> <p>? °C</p>	<p>20°C - 40°C → 10</p>	<p>INFO</p>

9

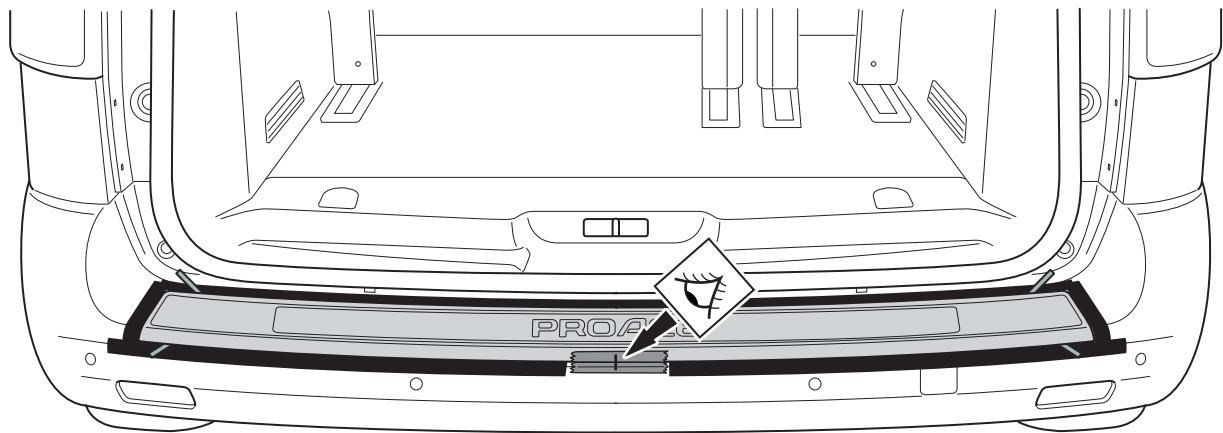
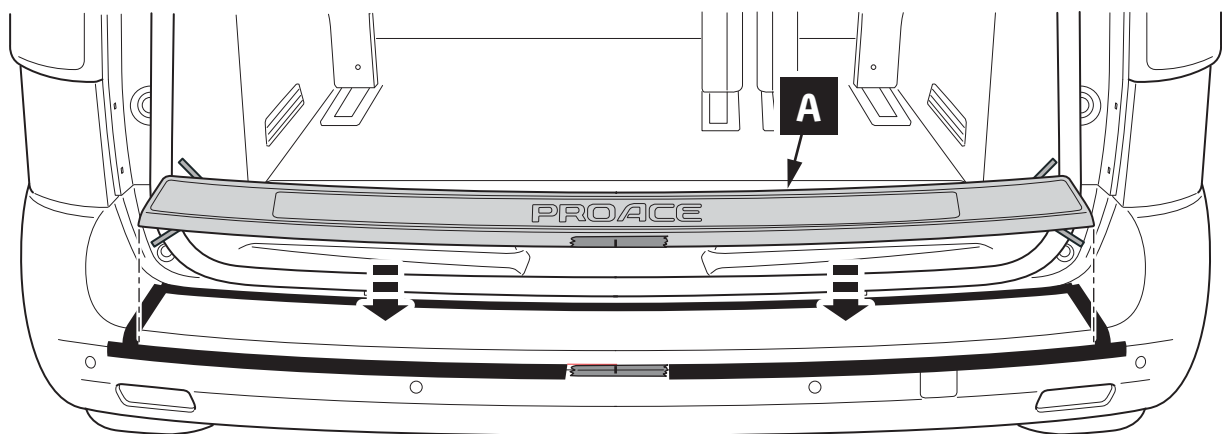


<p>1</p> <p>? °C</p>	<p>< 20°C → 2</p> <p>20°C - 40°C → 11</p>	<p>2</p> <p>+ °C</p>
<p>3</p> <p>? °C</p>	<p>20°C - 40°C → 11</p>	<p>INFO</p>

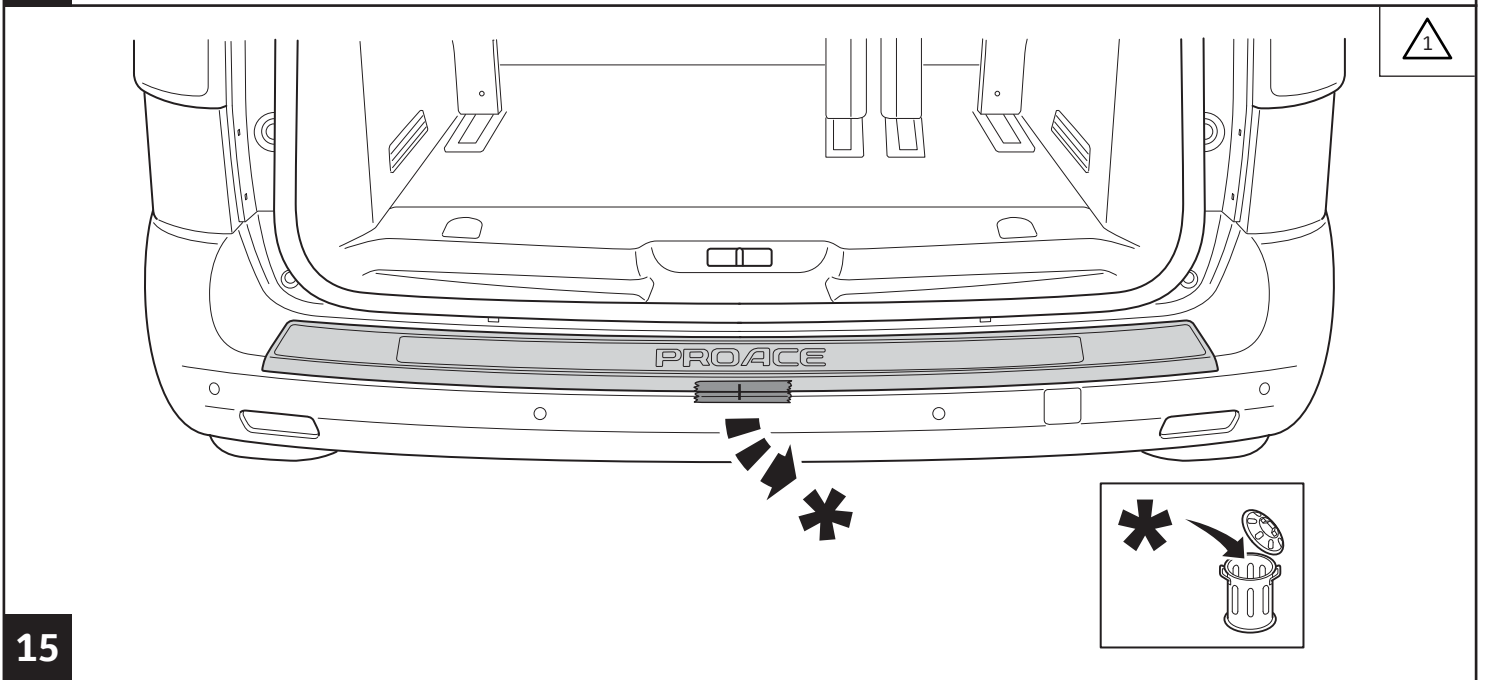
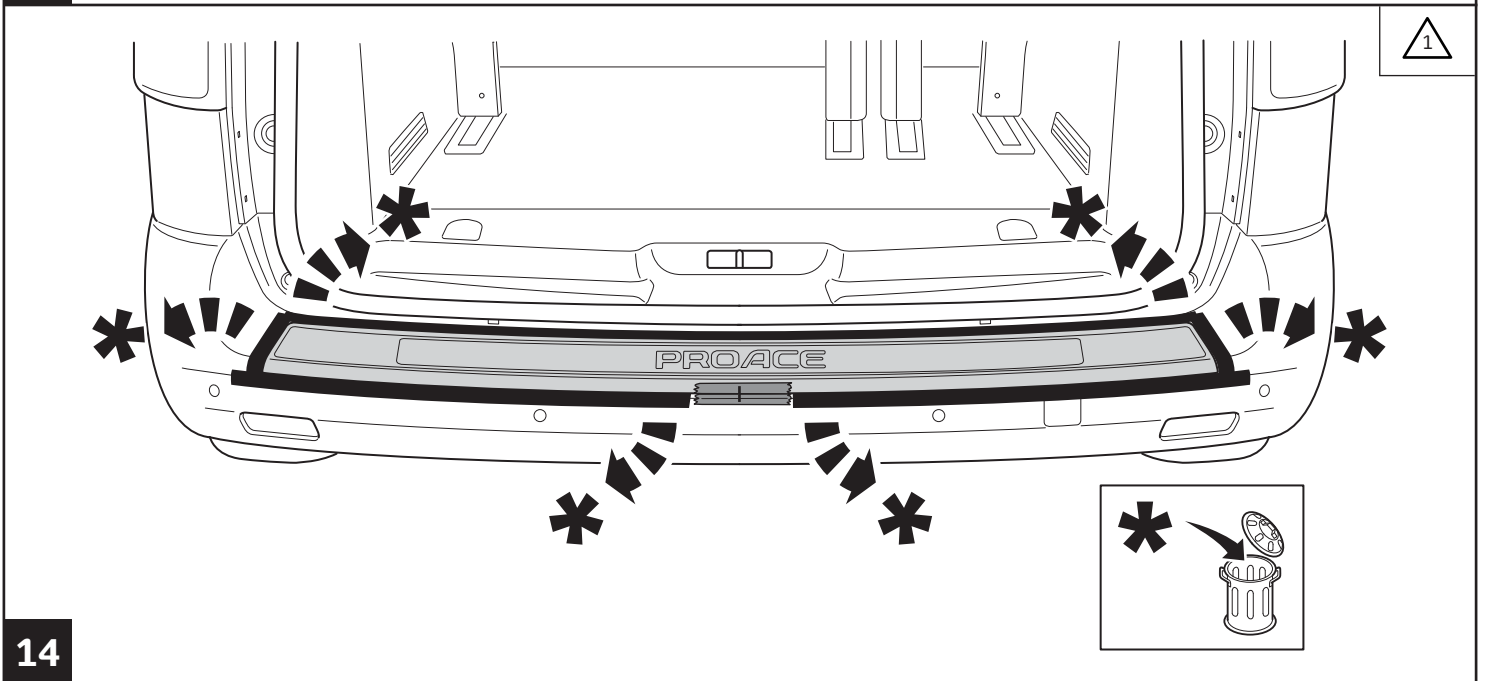
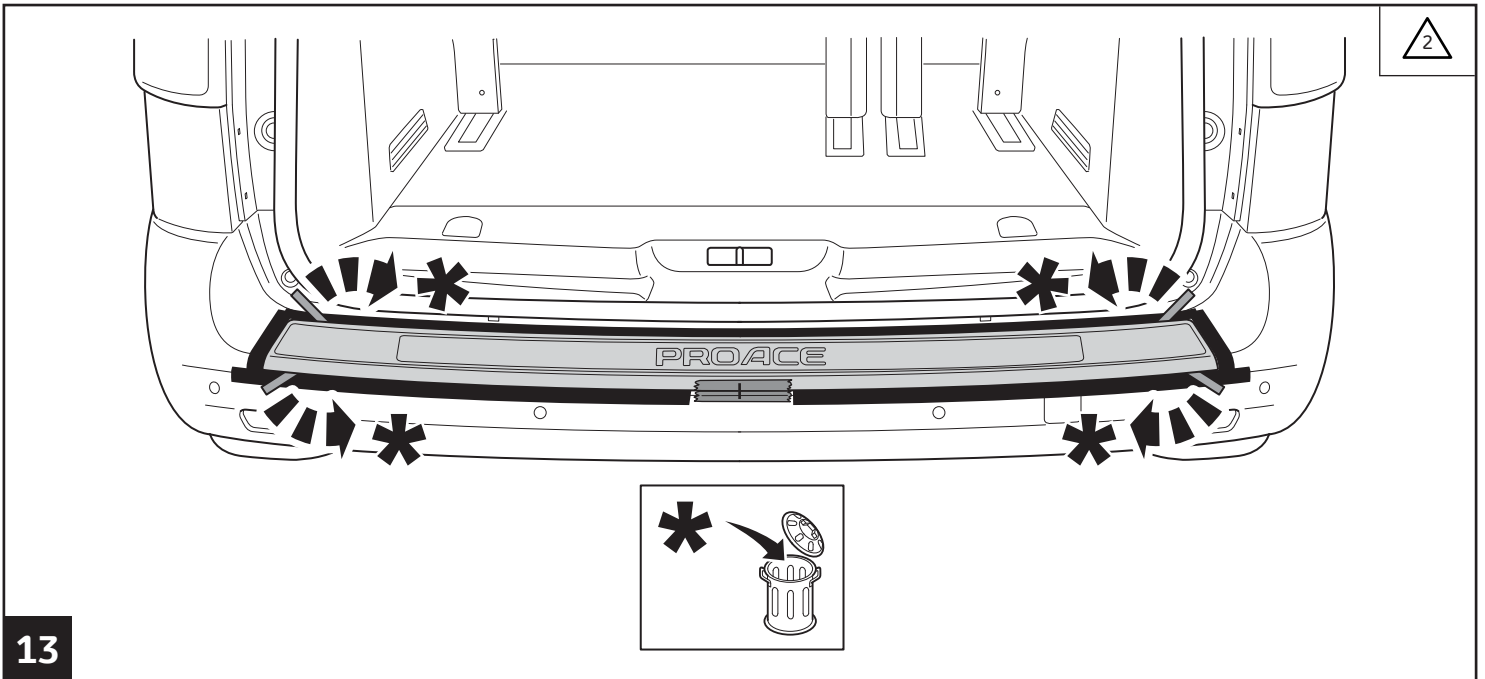
10

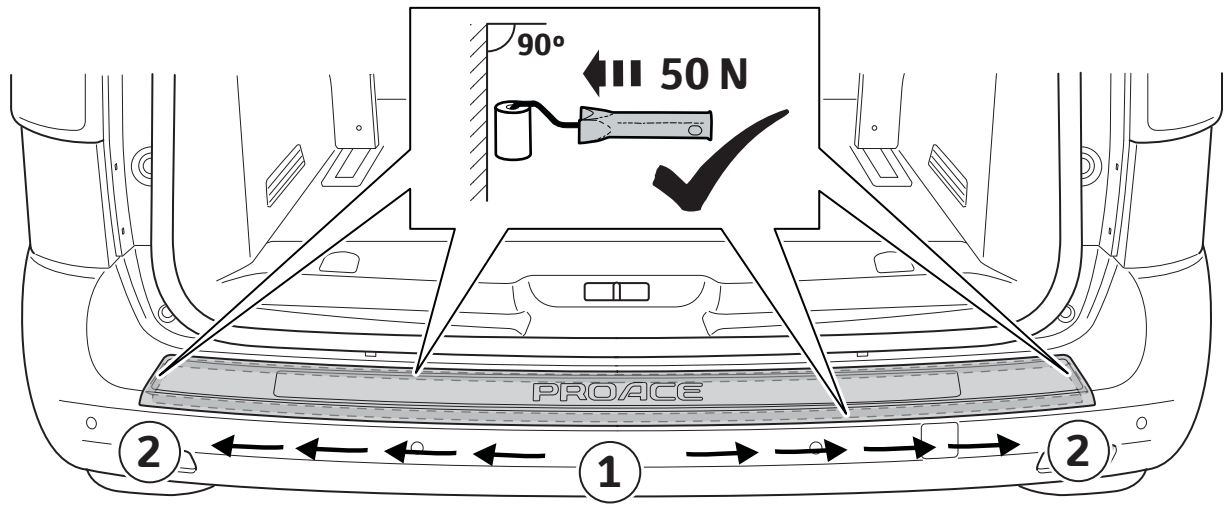


11

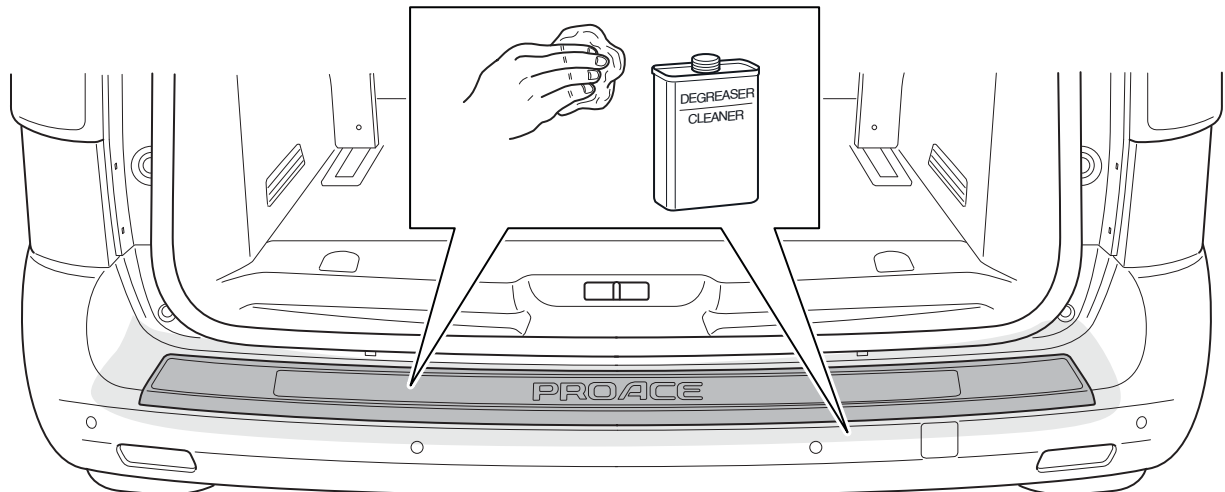


12



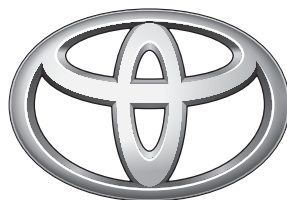
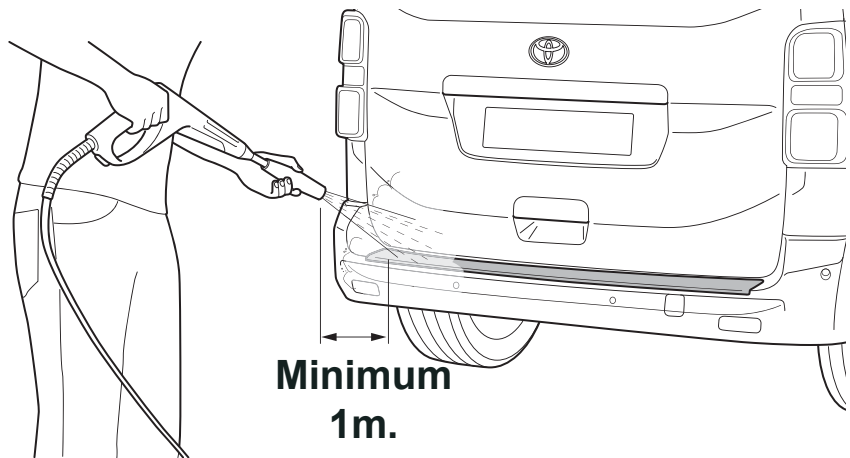
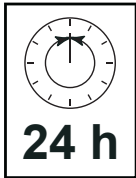
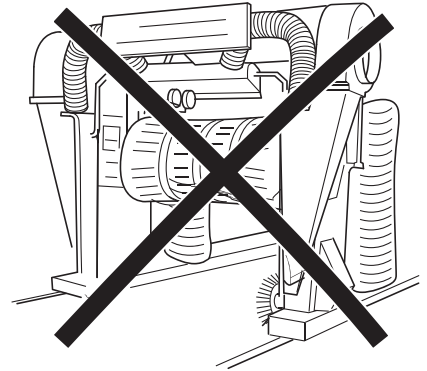
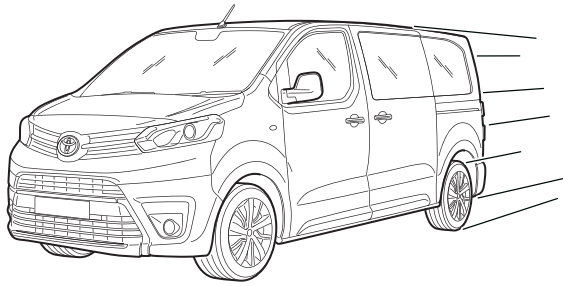
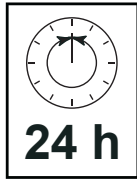


16



17

INFORMATION



TOYOTA

CHECK SHEET



TOYOTA

Model/Year PROACE As from 2016/02
PROACE Verso As from 2016/03
PROACE Electric As from 2020/10
PROACE Verso Electric As from 2021/01

Rear bumper protection plate, plastic

VIN n°

ALWAYS A BETTER WAY

DURING INSTALLATION

1 P/N = OK

AFTER INSTALLATION

1

2

3

4

Installation Date:
... / ... /

Technician Name & Signature:

Stamp:

