

Yaris Cross

Side Sills

Installation Instructions

Model year: As from 2021/05
Vehicle code: MXP*1**-BH**BW
Part number: PW156-0D110-**

Manual reference number: AIM 005 055-1

Latest Version
SCAN HERE



THINK BEFORE YOU PRINT



**ONLINE = LATEST VERSION
GO DIGITAL!**

Revision Record

| Rev. No. | Date | Page | Step | Remarks |
|----------|----------|------|------|--|
| △ | 16.11.21 | 2 | | Adhesion Promoter & Masking tape added |
| △ | 16.11.21 | 6, 7 | 7, 9 | Steps added |
| | | | | |
| | | | | |
| | | | | |
| | | | | |
| | | | | |

KIT CONTENT

PW156-0D110-**



PW156-0D111-**

FL **RL**

A **B**

E 12x

CHECK SHEET

PW156-0D112-**

RR **FR**

D **C**

E 12x

CHECK SHEET

TOOLS

| | | | | |
|--|--|--|--|-------------------------|
| | | | | |
| | | | | COBALT DRILL BIT |
| | | | | Ø 3mm Ø 9mm |

CONSUMABLES

| CLEANER / DEGREASER | MASKING TAPE | MICROFIBRE CLOTH | ADHESION PROMOTER | |
|------------------------|--------------|------------------|---------------------------|--|
| | | | PZ415-00000-00 | |

PERSONAL PROTECTION EQUIPMENT

| | | | | |
|--|--|--|--|--|
| | | | | |
|--|--|--|--|--|

USEFUL GENERAL MANUALS

| | | |
|--|--|--|
| <p>SYMBOLS </p> <p>Latest Version SCAN HERE</p> | | <p>CLEANER / DEGREASER </p> <p>Latest Version SCAN HERE</p> |
| <p>CONSUMABLES / CHEMICALS </p> <p>Latest Version SCAN HERE</p> | | <p>INSTALLATION CONDITIONS </p> <p>Latest Version SCAN HERE</p> |

GENERAL

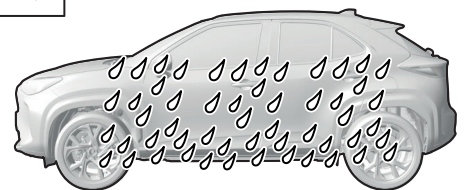
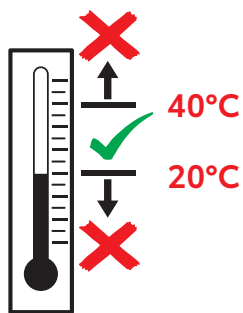
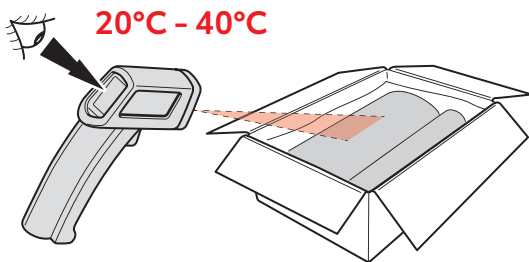
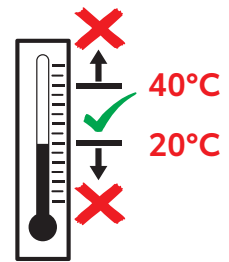
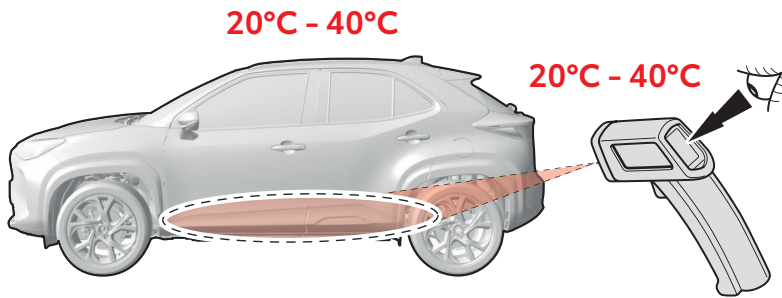


Material Safety Data Sheet

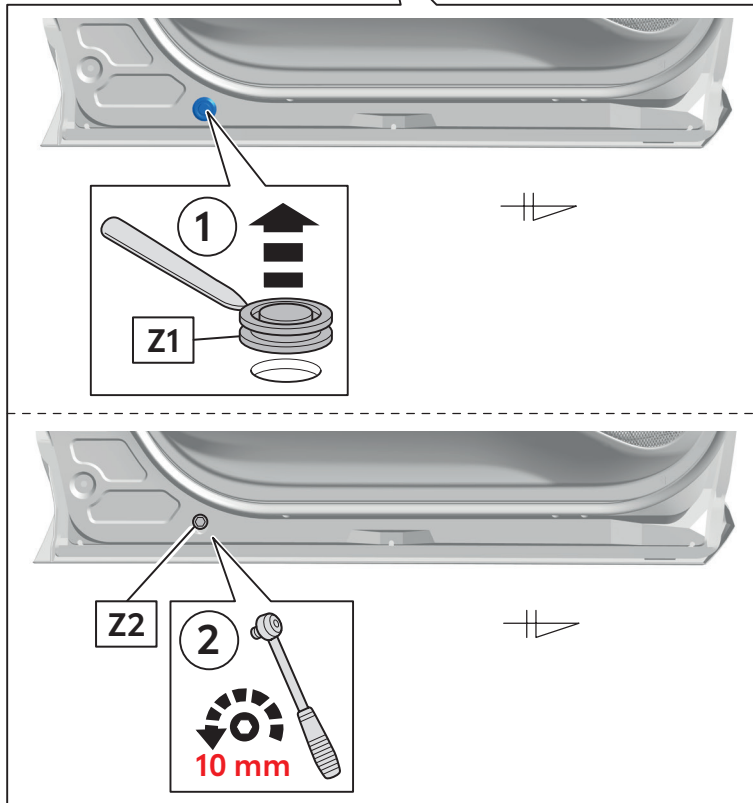
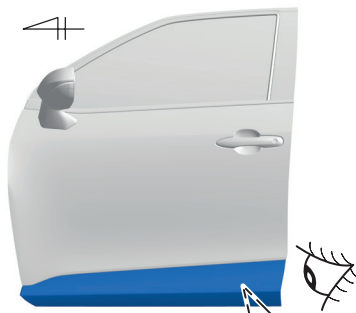
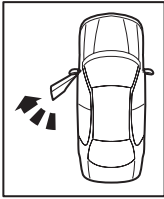
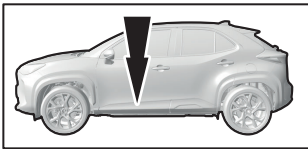


Technical Data Sheet

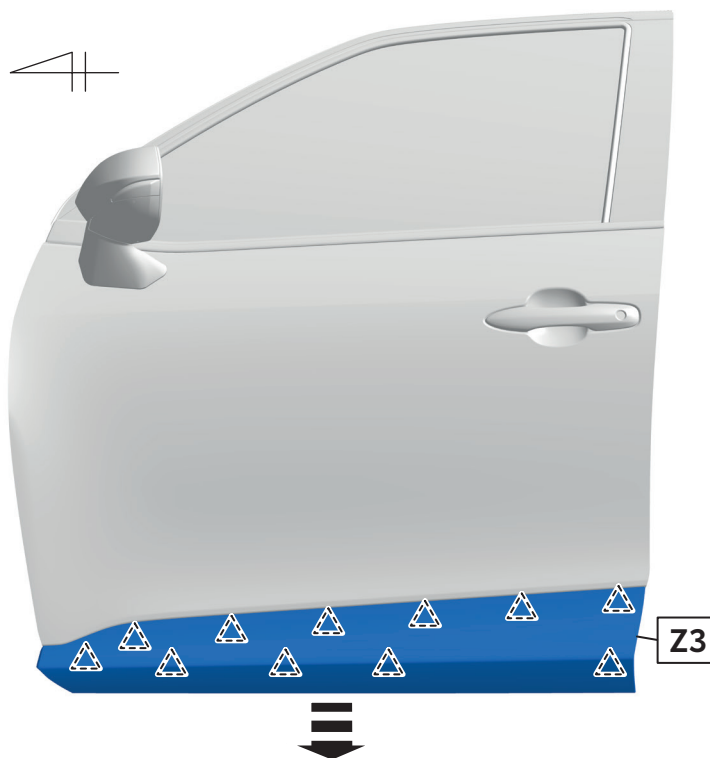
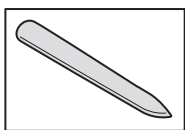
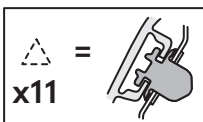
GENERAL



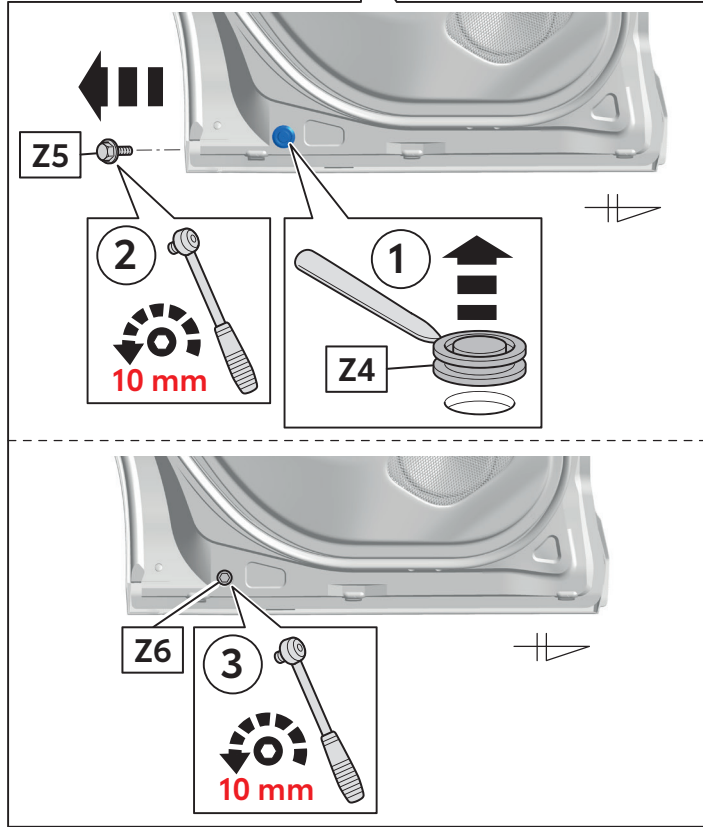
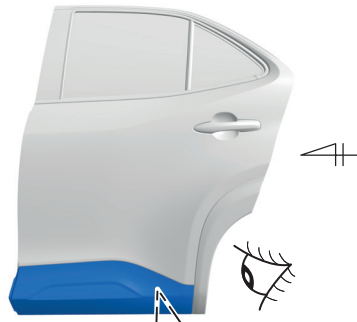
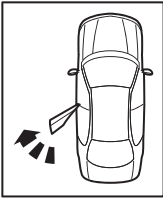
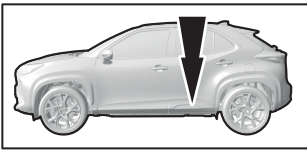
INSTALLATION INSTRUCTIONS



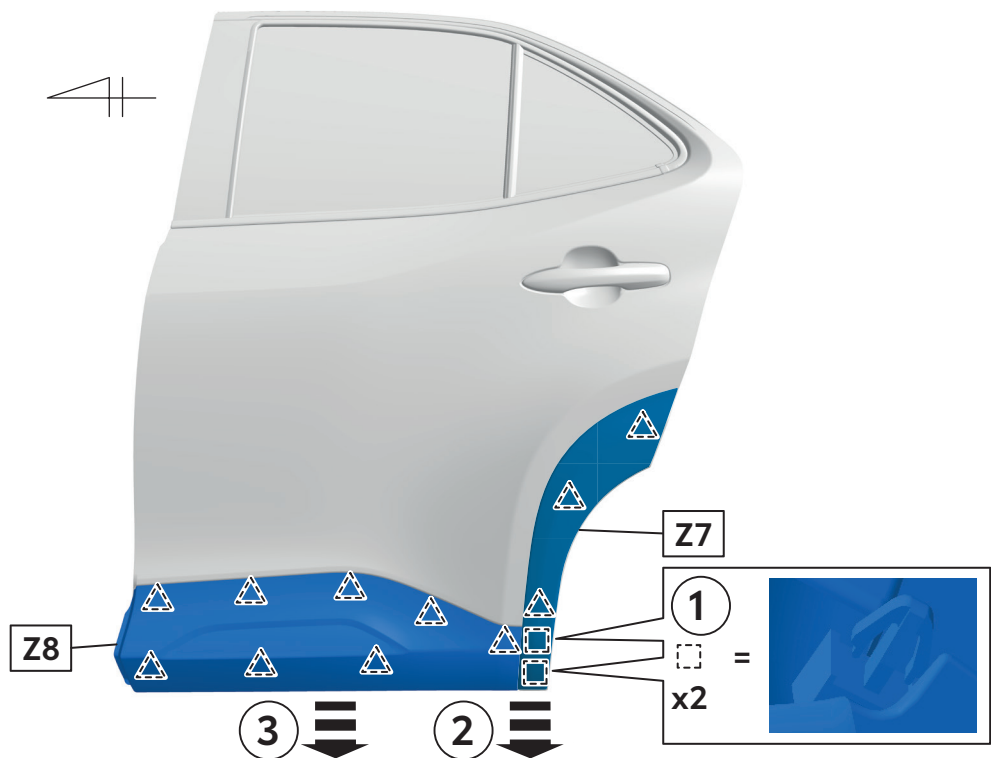
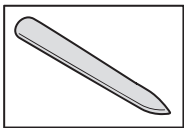
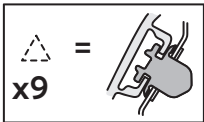
1



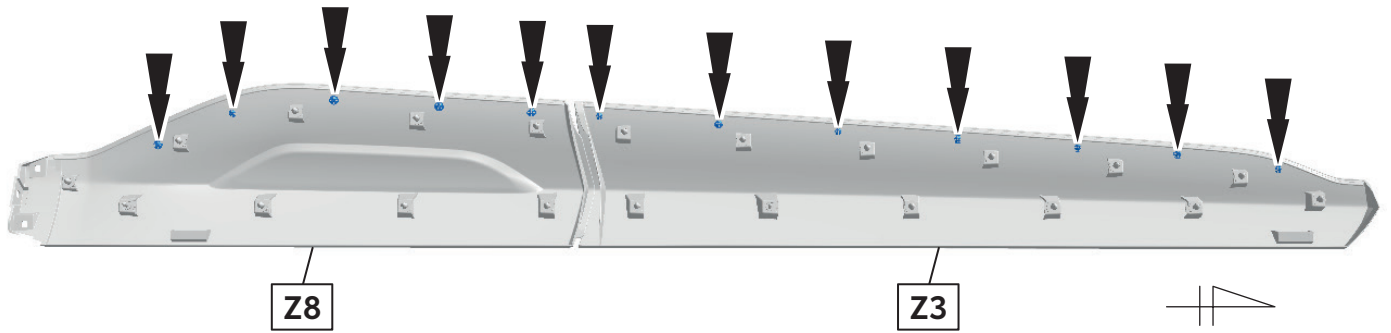
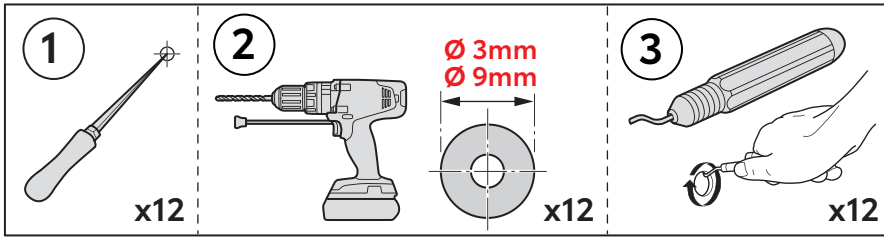
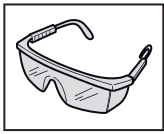
2



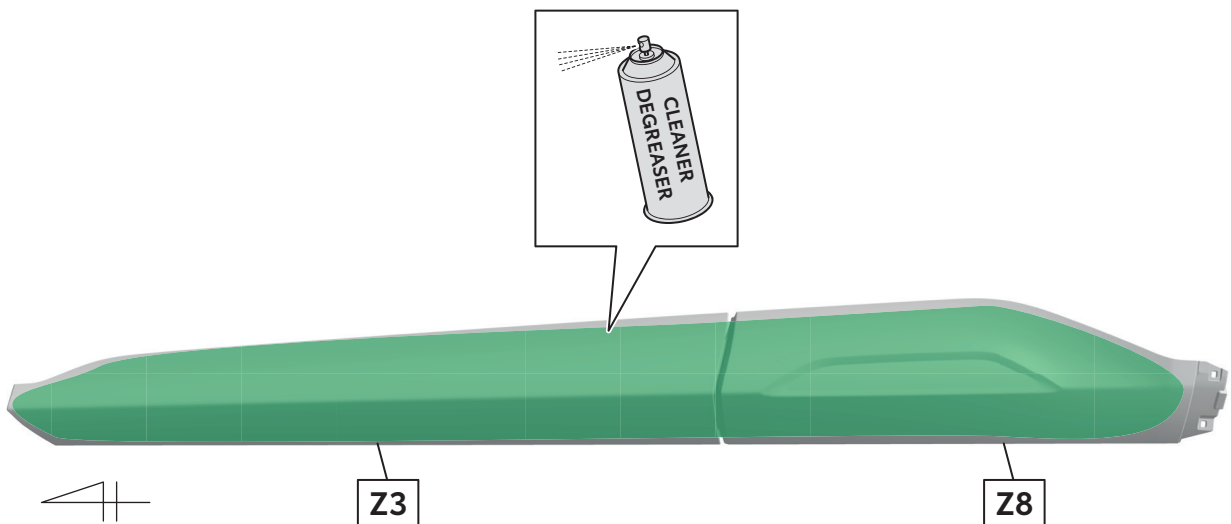
3



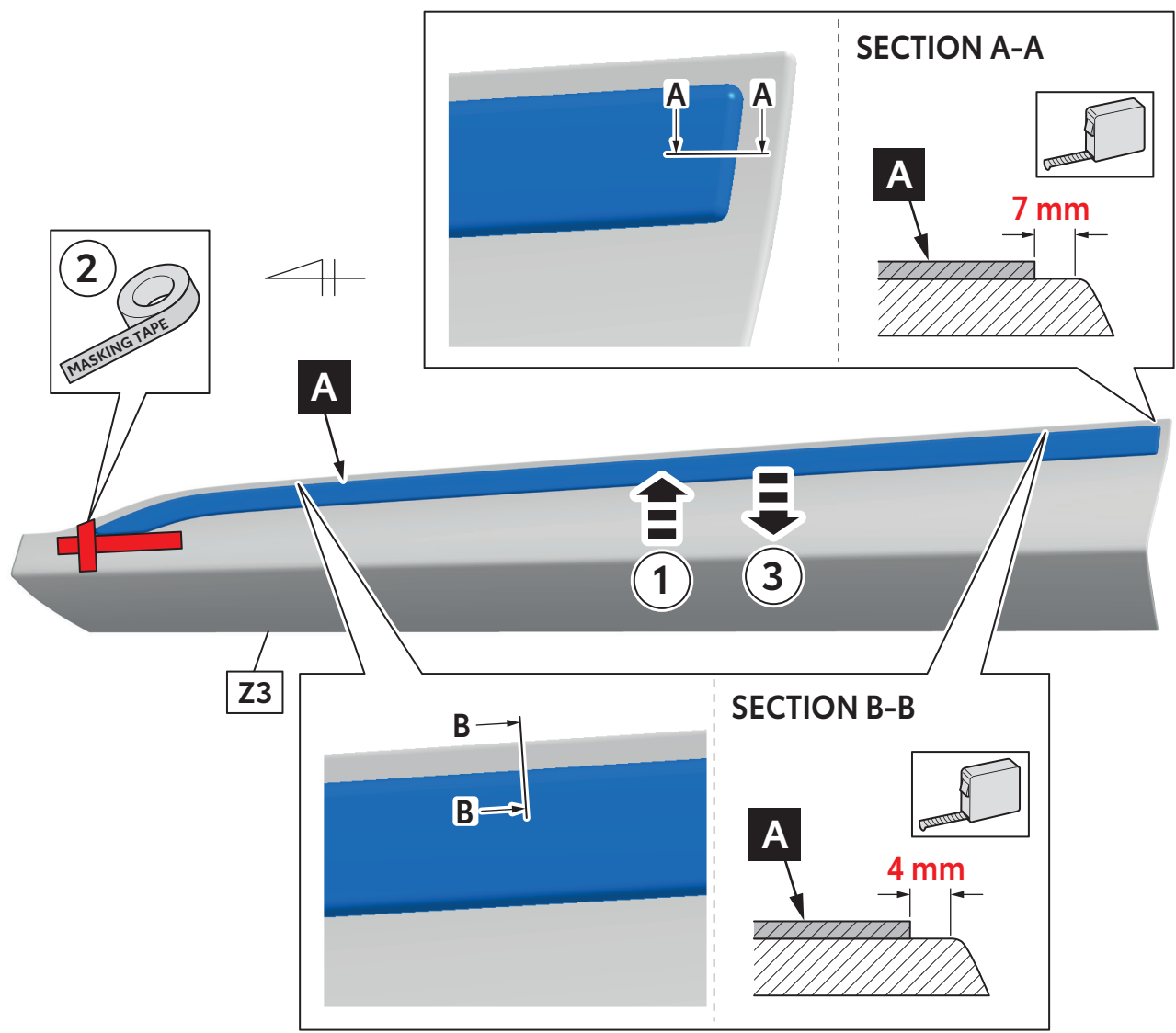
4



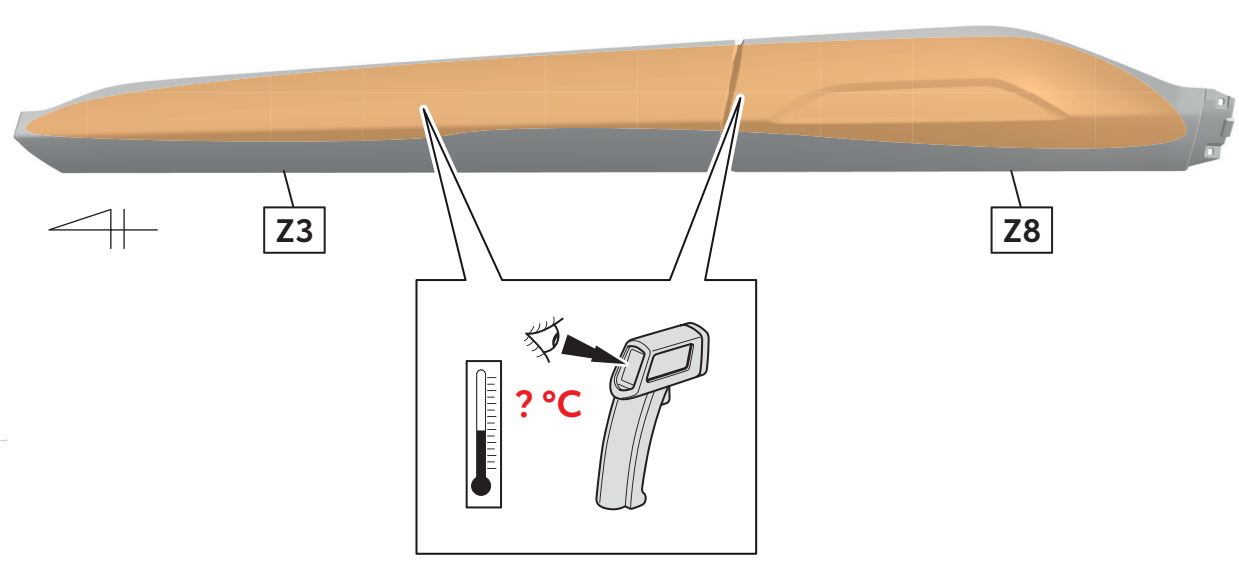
5



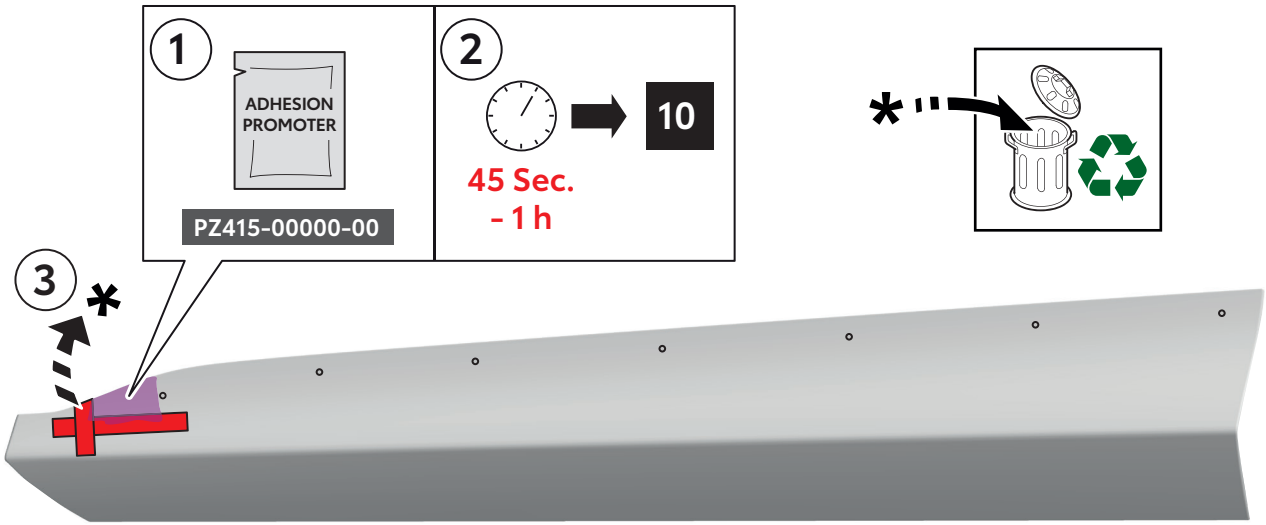
6



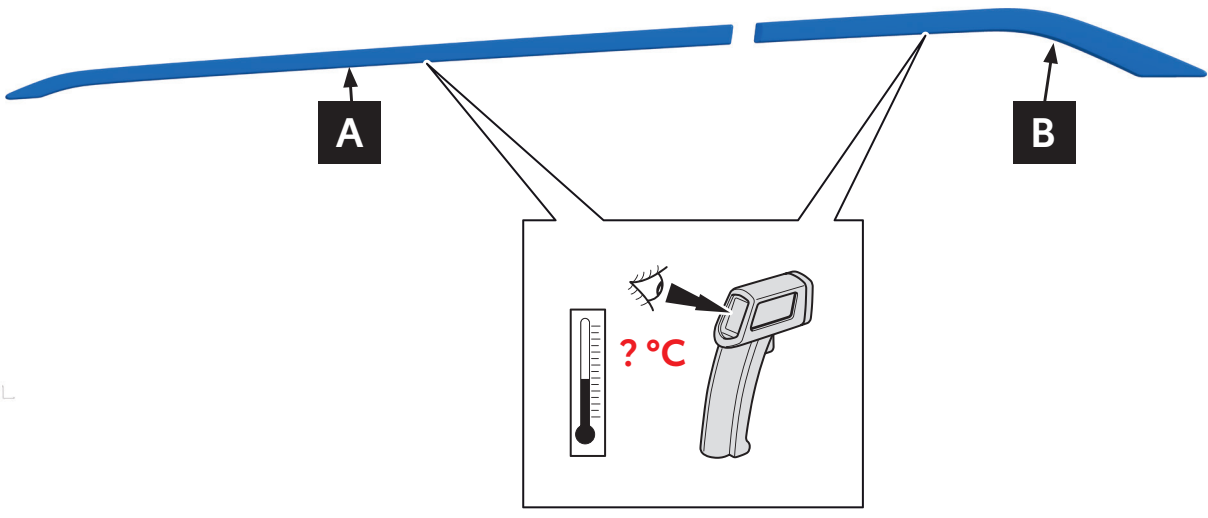
7



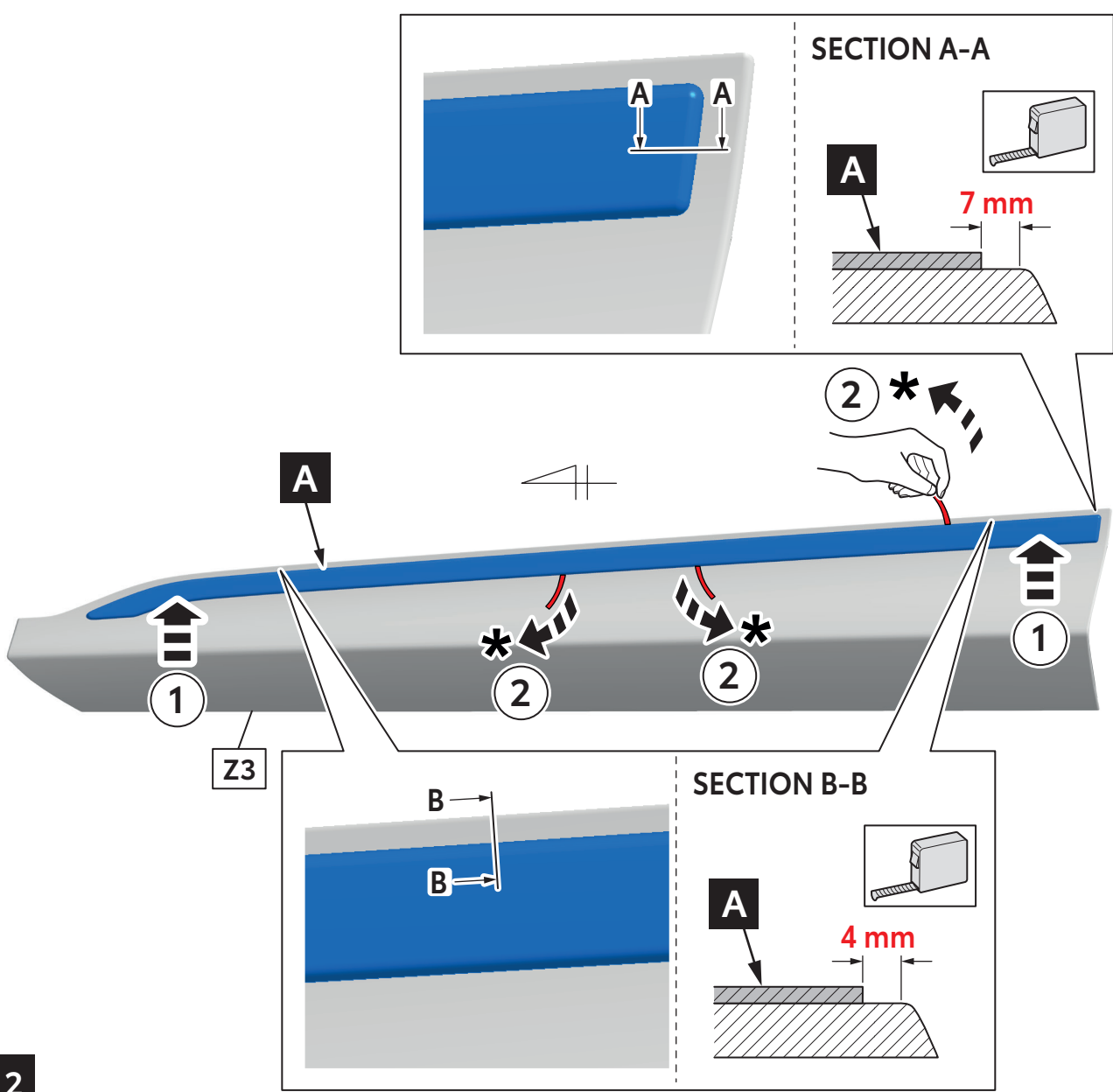
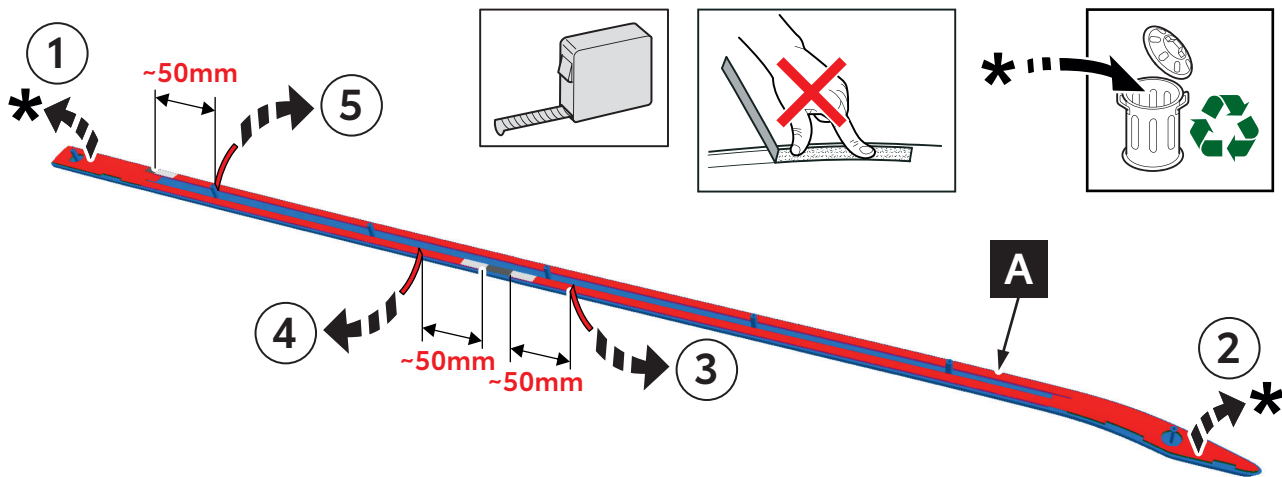
8

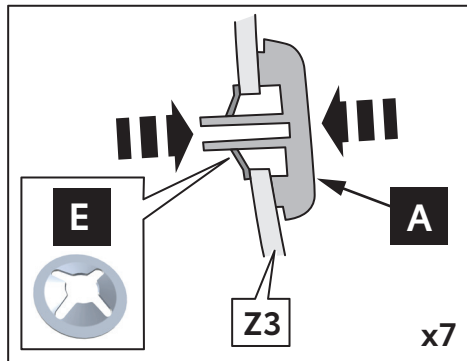
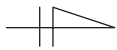
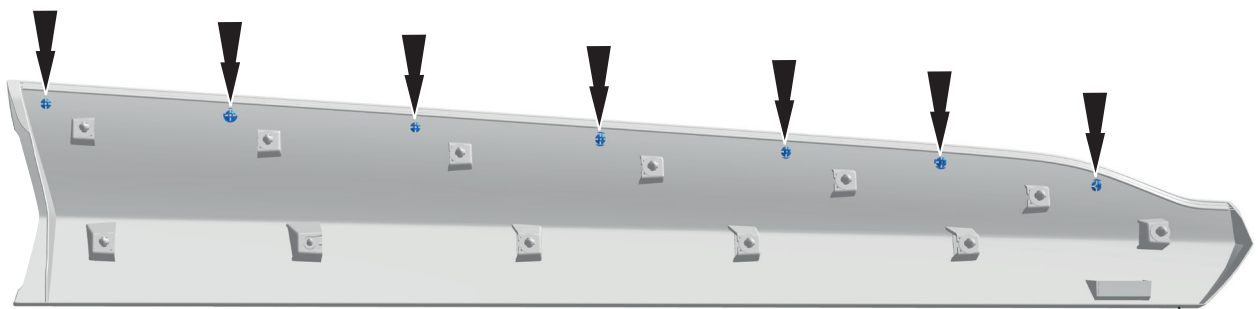


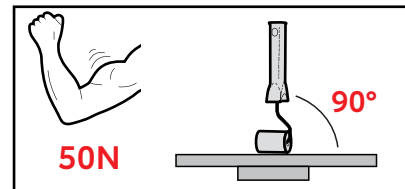
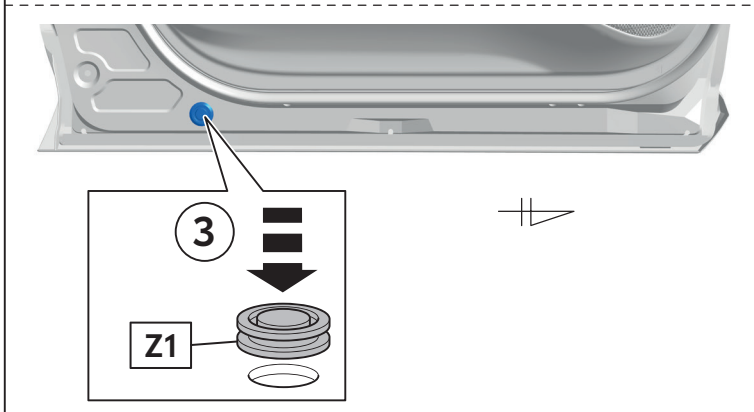
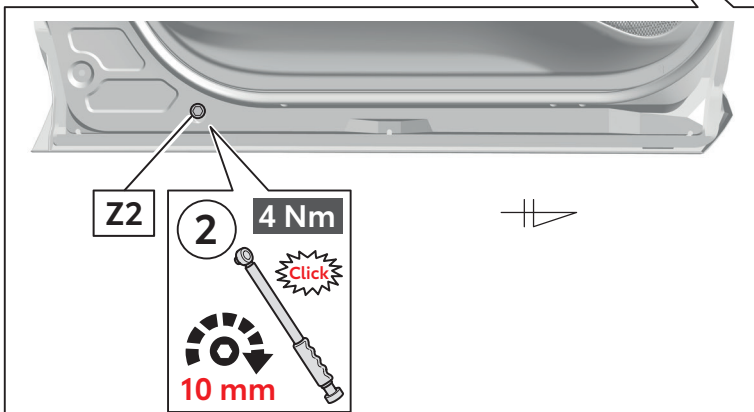
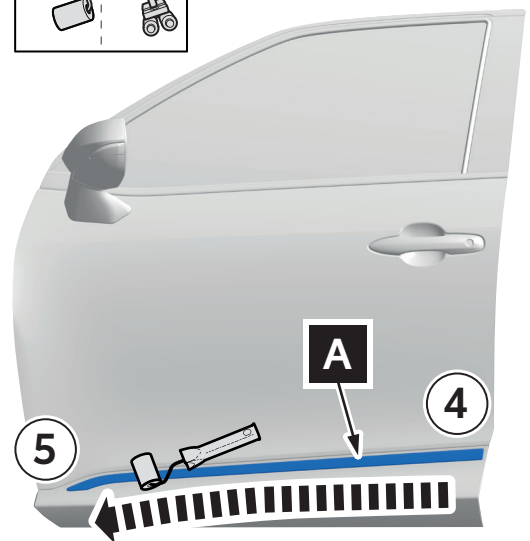
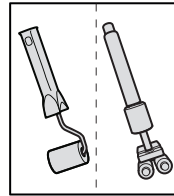
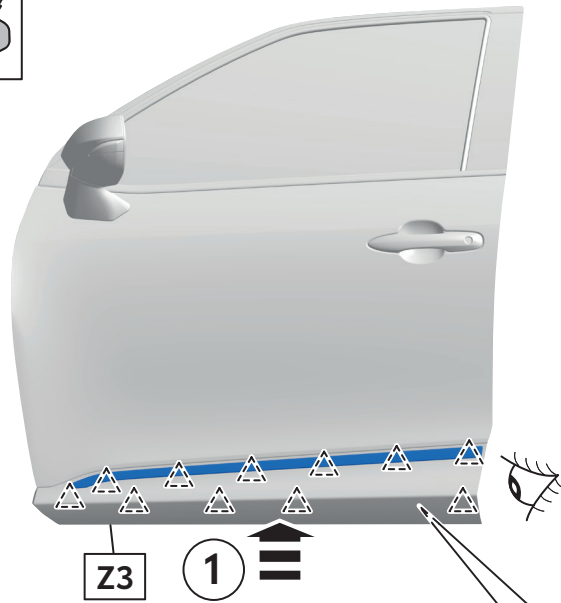
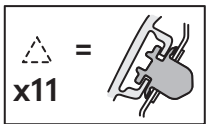
9

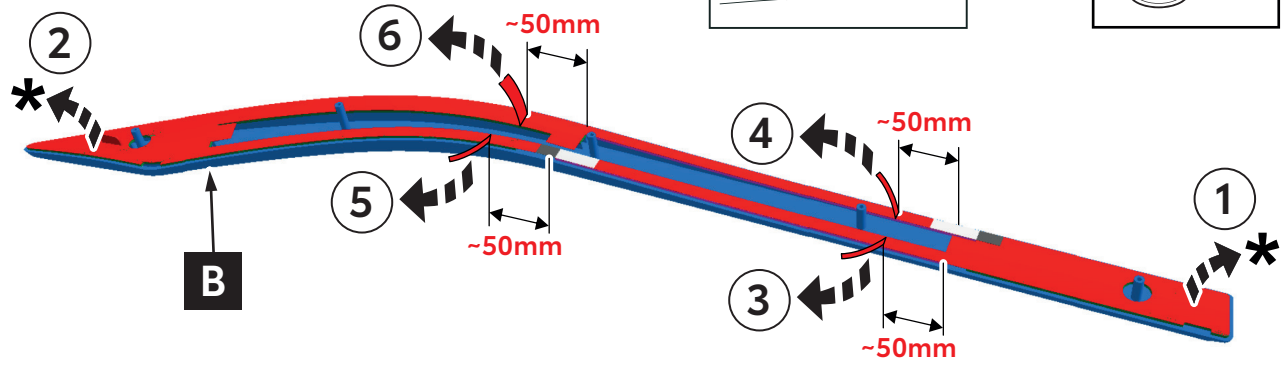
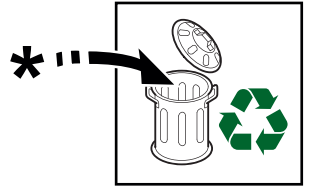
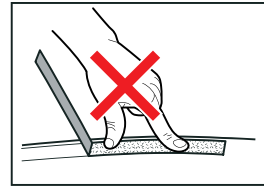
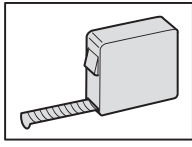


10

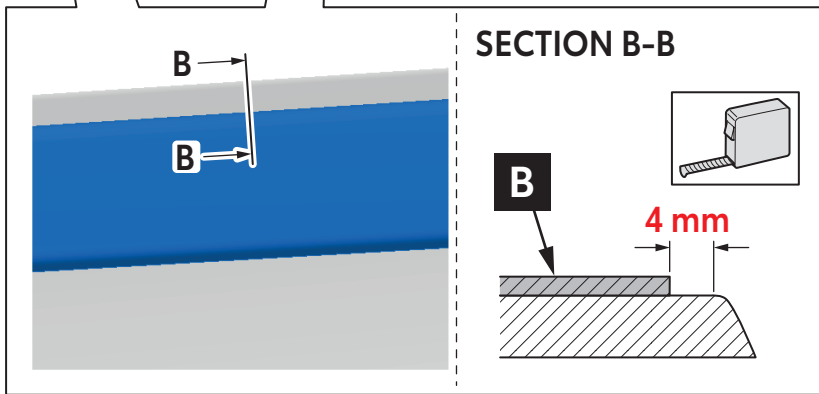
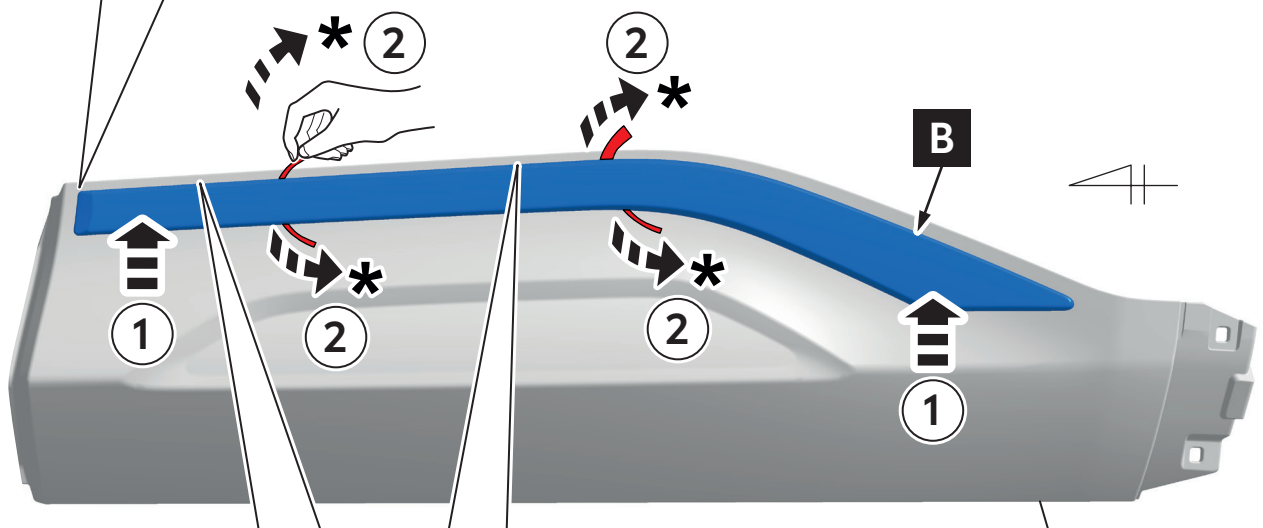
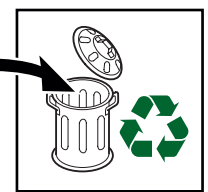
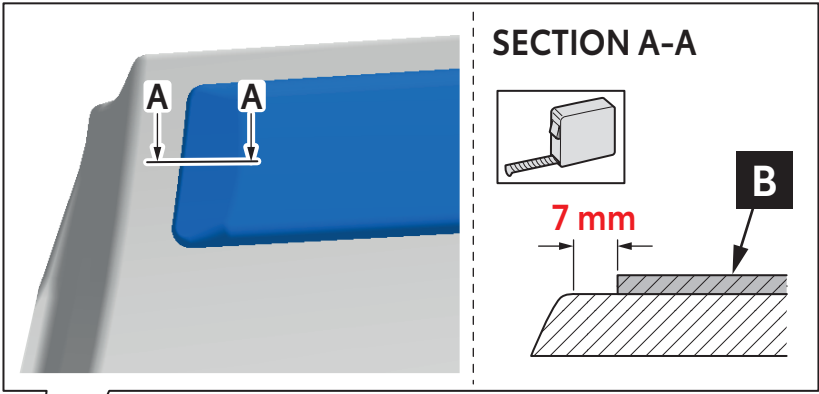






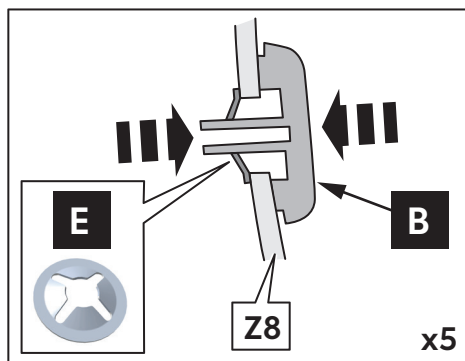
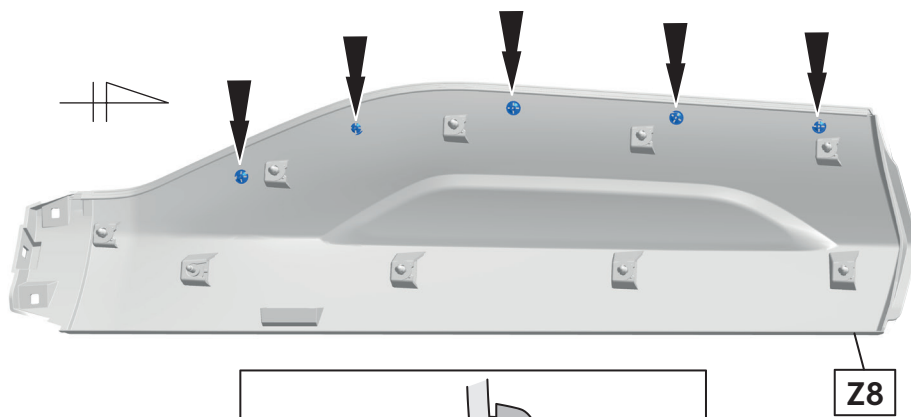


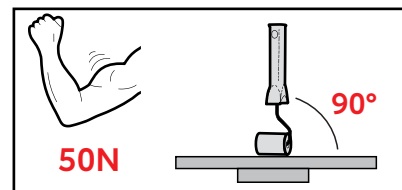
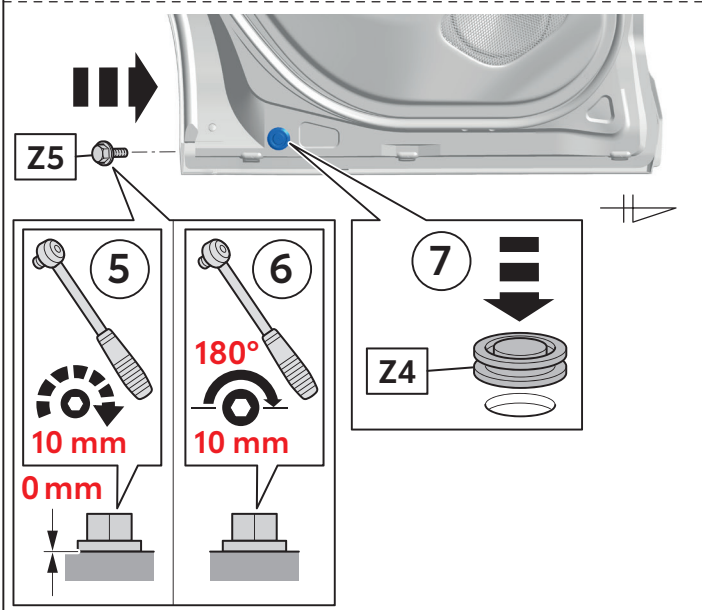
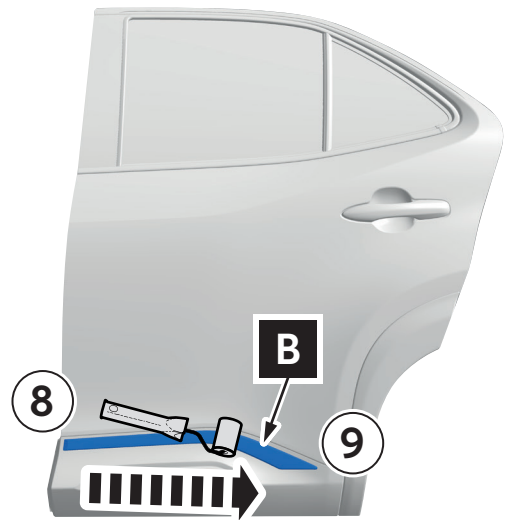
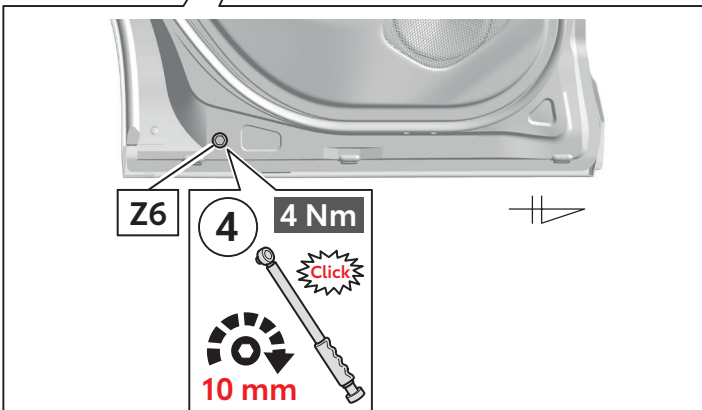
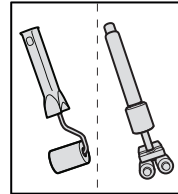
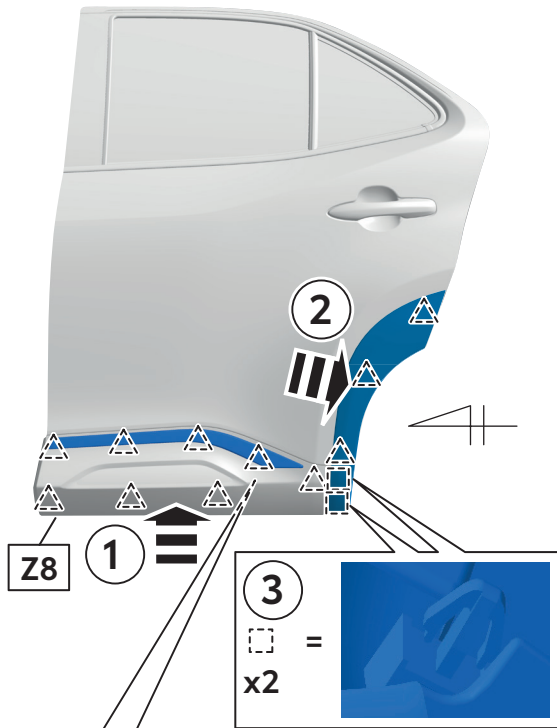
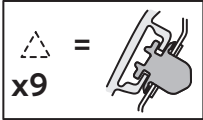
15



Z8

16





19

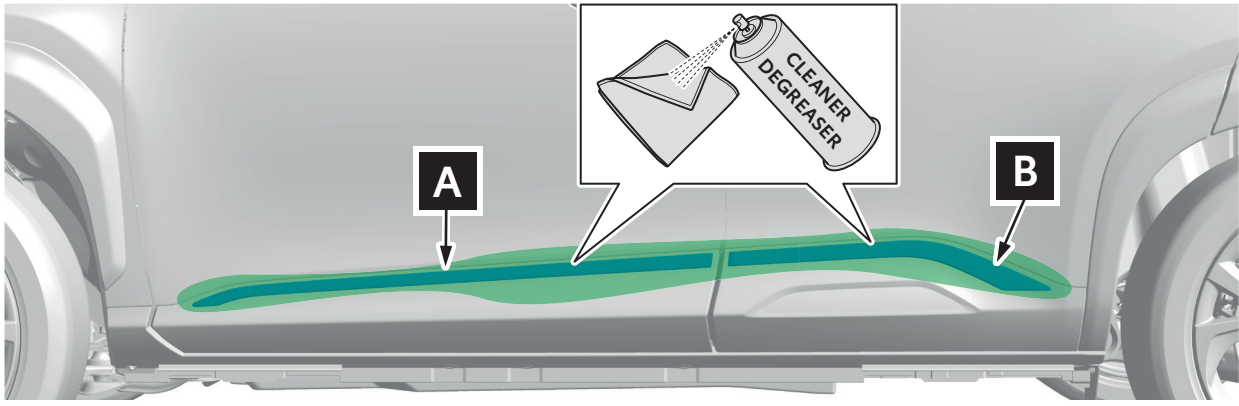


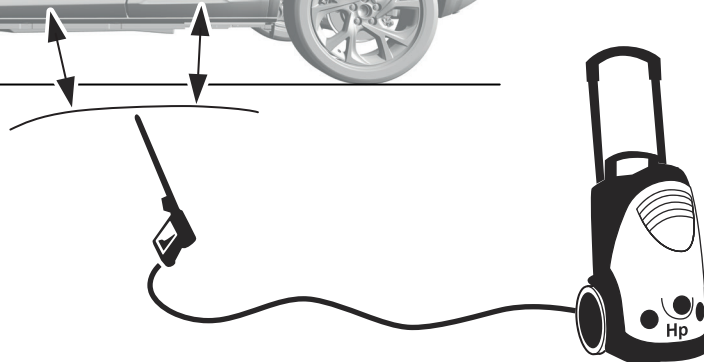
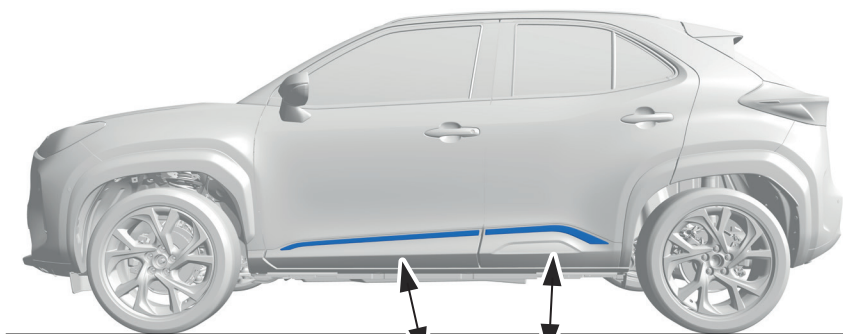
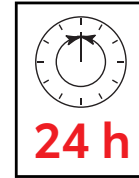
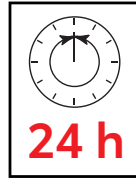
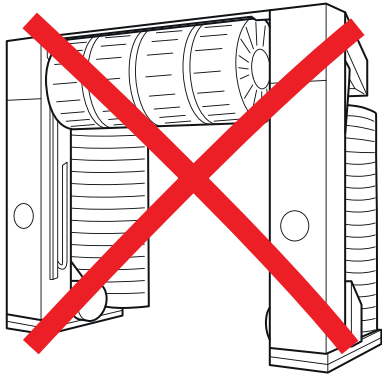
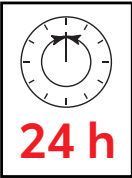
Fig.1 → Fig.19

Fig.1 → Fig.19

RHS = LHS
C D A B

20

GENERAL





CHECK SHEET

Page 1 of 2

Model/Year **Yaris Cross**
As from 2021/05

Side Sills

VINn°

DURING INSTALLATION

1

= OK
P/N = OK

2

Click
Serial Number

N° 1

AFTER INSTALLATION

1

Click
LHS RHS
4x 4 Nm

2

1 2 3 4
LHS RHS

| | | | | |
|--|--|--|--|--------------------------|
| | | | | <input type="checkbox"/> |
|--|--|--|--|--------------------------|

| | |
|--|--|
| | |
| | |
| | |
| | |

| | | | |
|----------|--|--|--------------------------|
| 5 | | | <input type="checkbox"/> |
|----------|--|--|--------------------------|

Installation Date:
.. / .. /

Technician Name & Signature:

Stamp: