



TOYOTA

ALWAYS A
BETTER WAY

Toyota C-HR (all except AWD)

Lower trunk garnish

Installation instructions

Model year: 2016/10, 2019/10
Vehicle code: **X10*-AH**PW/X
Part number: PW405-10000-**

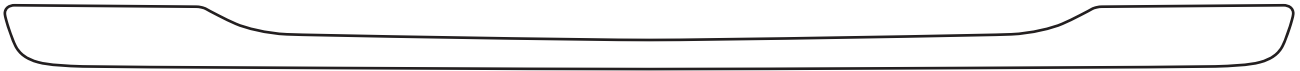
Manual reference number: AIM 003 999 - 2

Revision Record

Rev. No.	Date	Page	Picture	Update	New	Deleted steps
1	02.08.17	2, 4, 5, 6	5, 8, 9	X		
1	02.08.17	3, 4	2, 3		X	


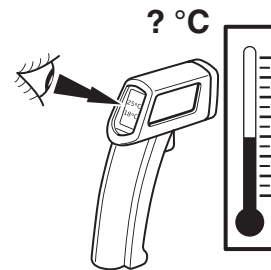
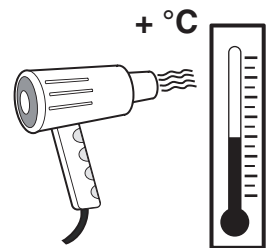
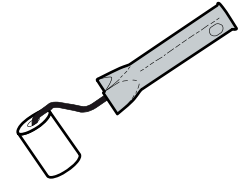



Rev. No.	Date	Page	Step	Remarks
2	26.09.19	1, 7		Model year added

PW405-10000-**



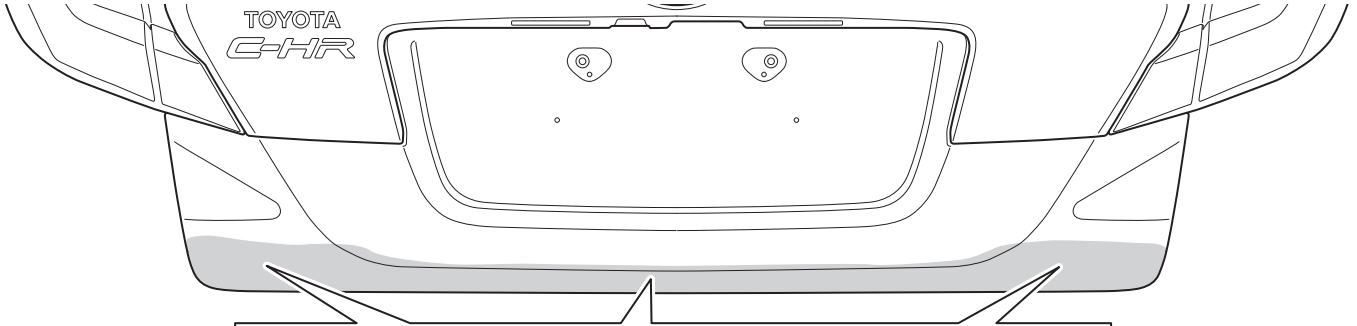
A

1x

 <p>CLEANER DEGREASER</p>	 <p>? °C</p>	 <p>+ °C</p>	
			



40°C
18°C



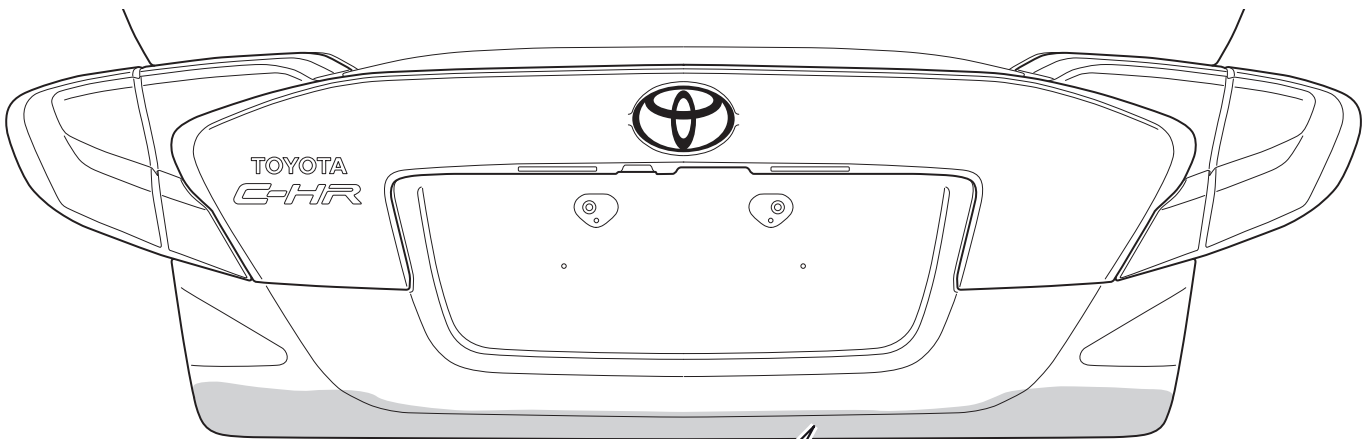
1

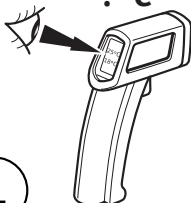

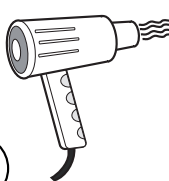

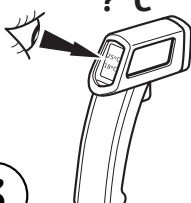







**CLEANER
DEGREASER**

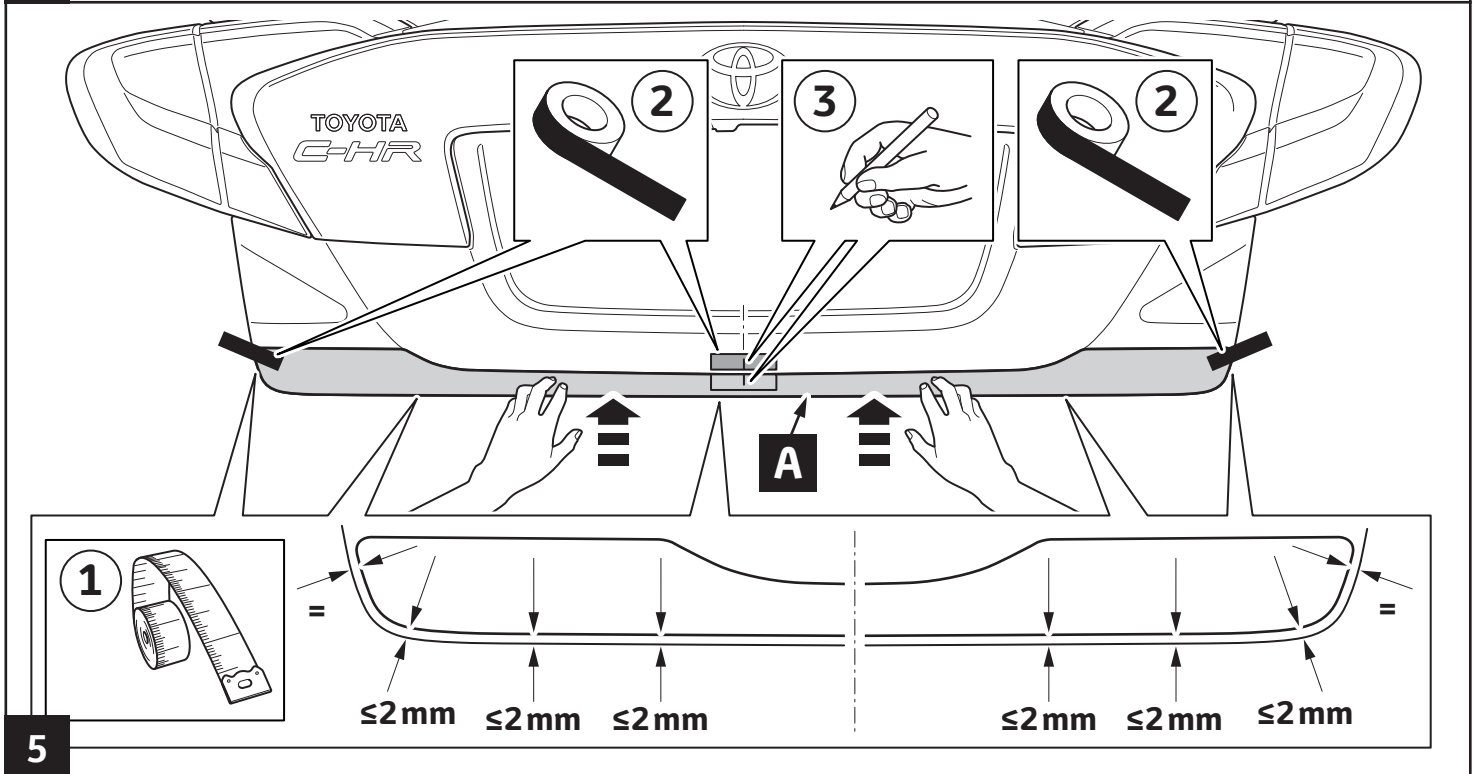
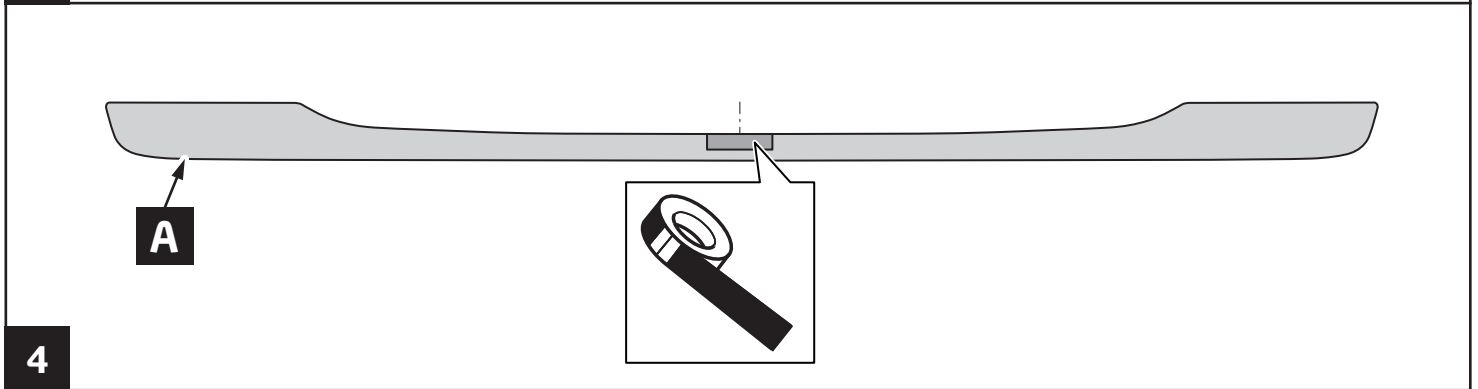
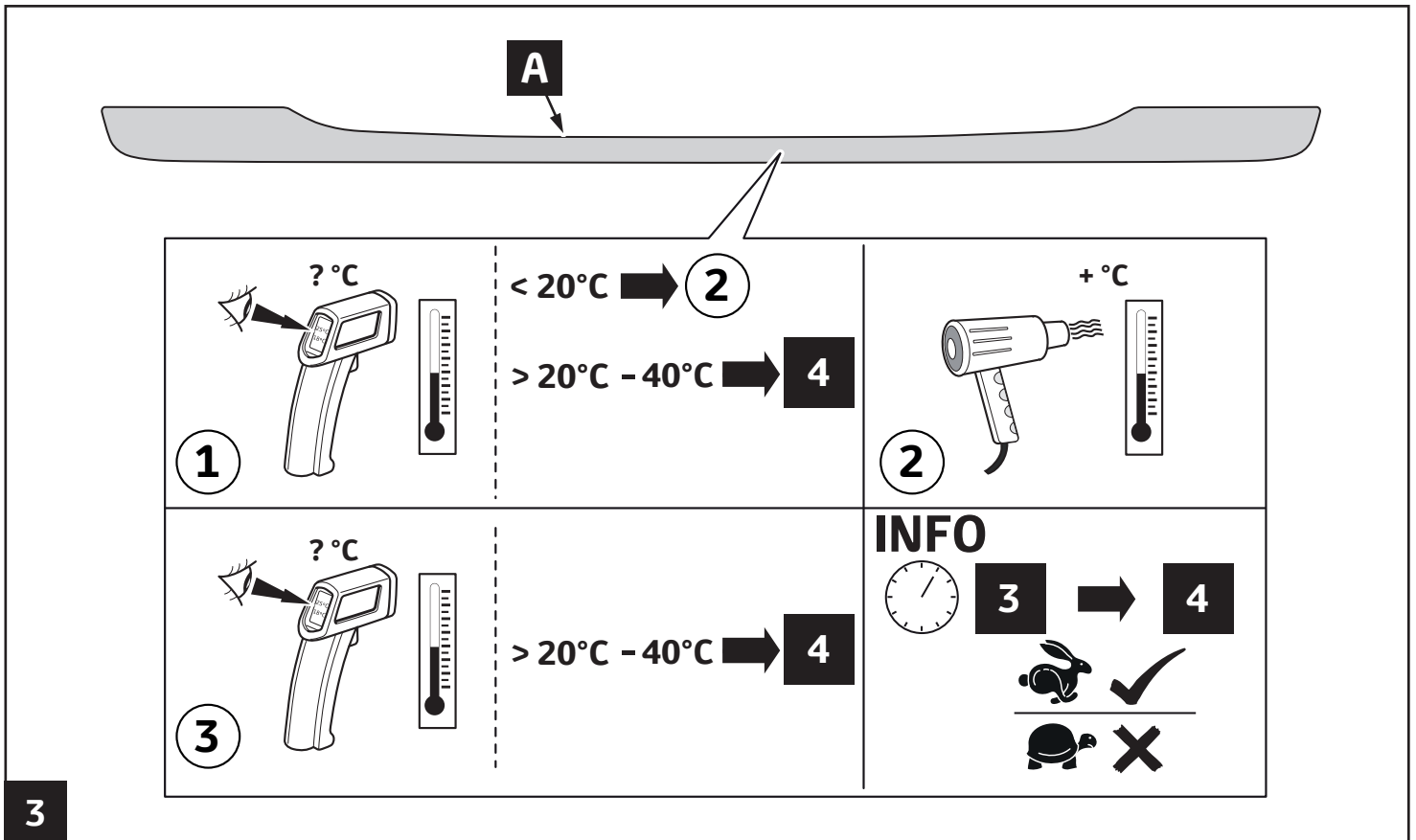


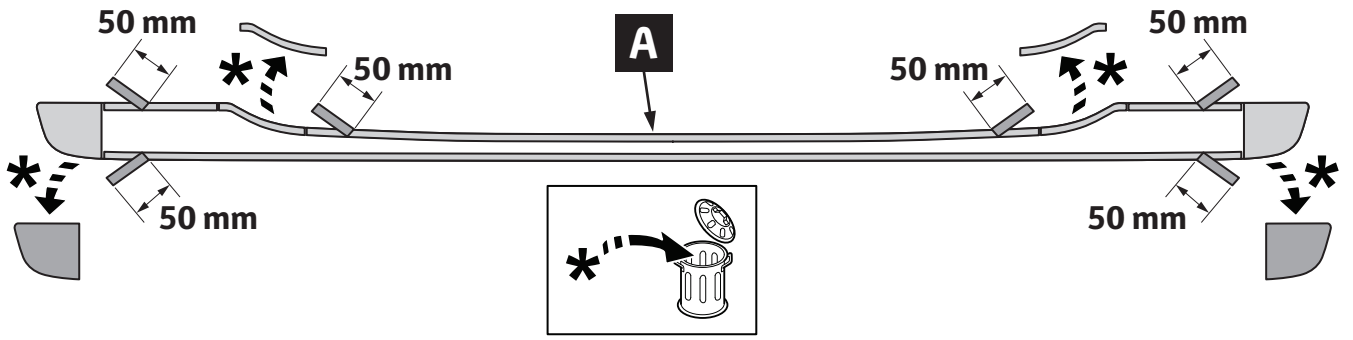
1



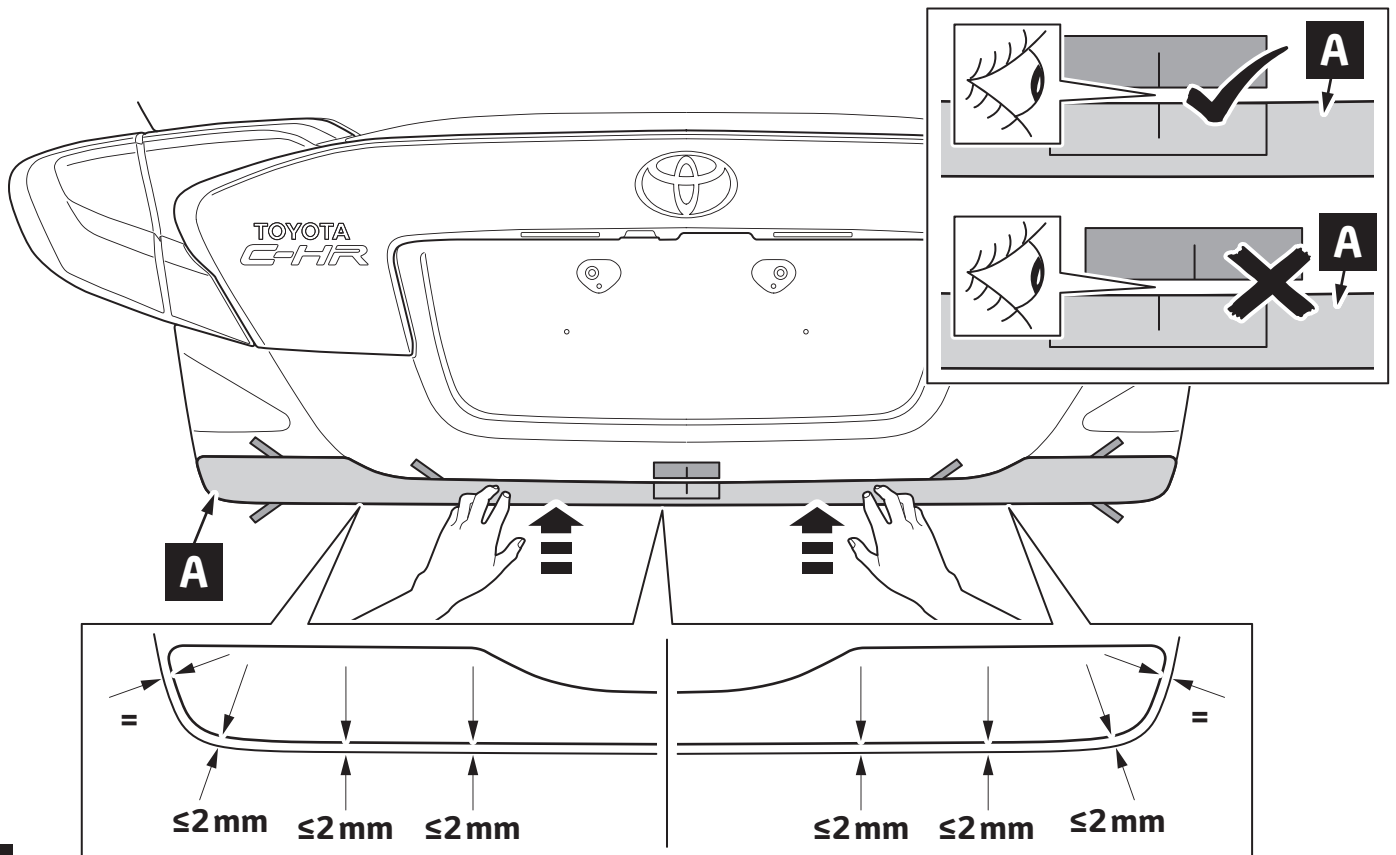
<p>1</p>  <p>? °C</p> 	<p>< 20°C → 2</p> <p>> 20°C - 40°C → 3</p>	<p>2</p>  <p>+ °C</p> 
<p>3</p>  <p>? °C</p> 	<p>> 20°C - 40°C → 3</p>	<p>INFO</p>  <p>2 → 4</p>  

2

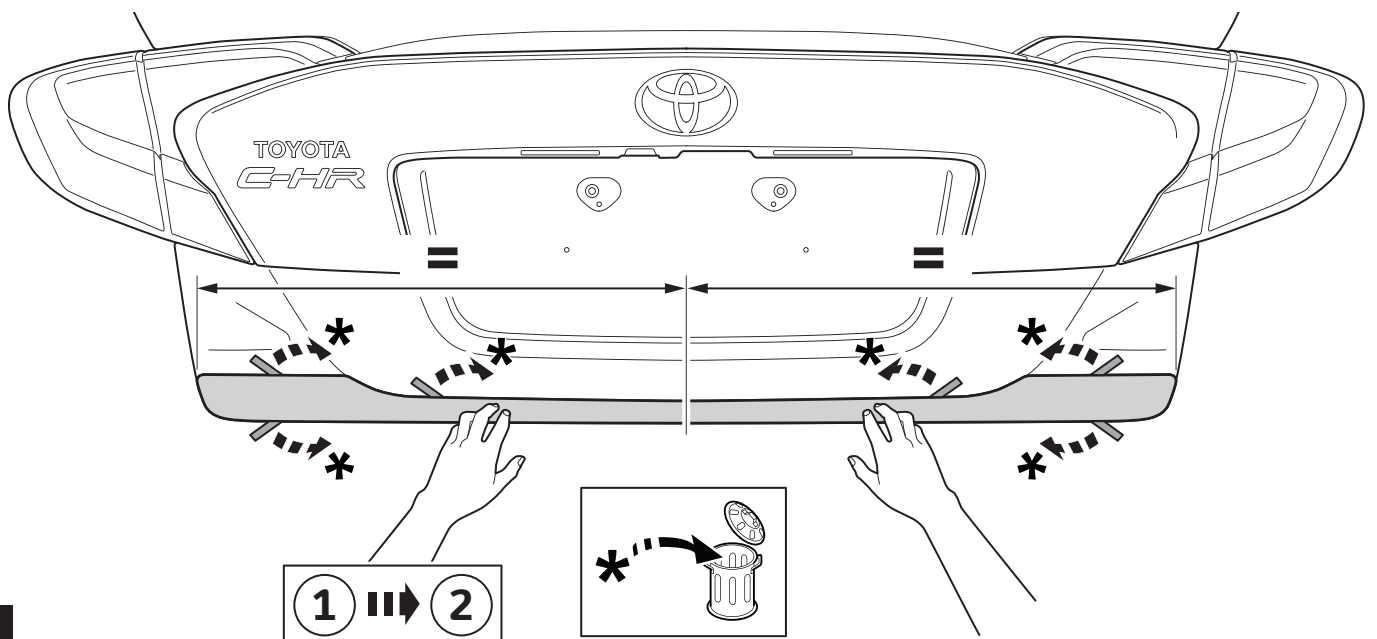




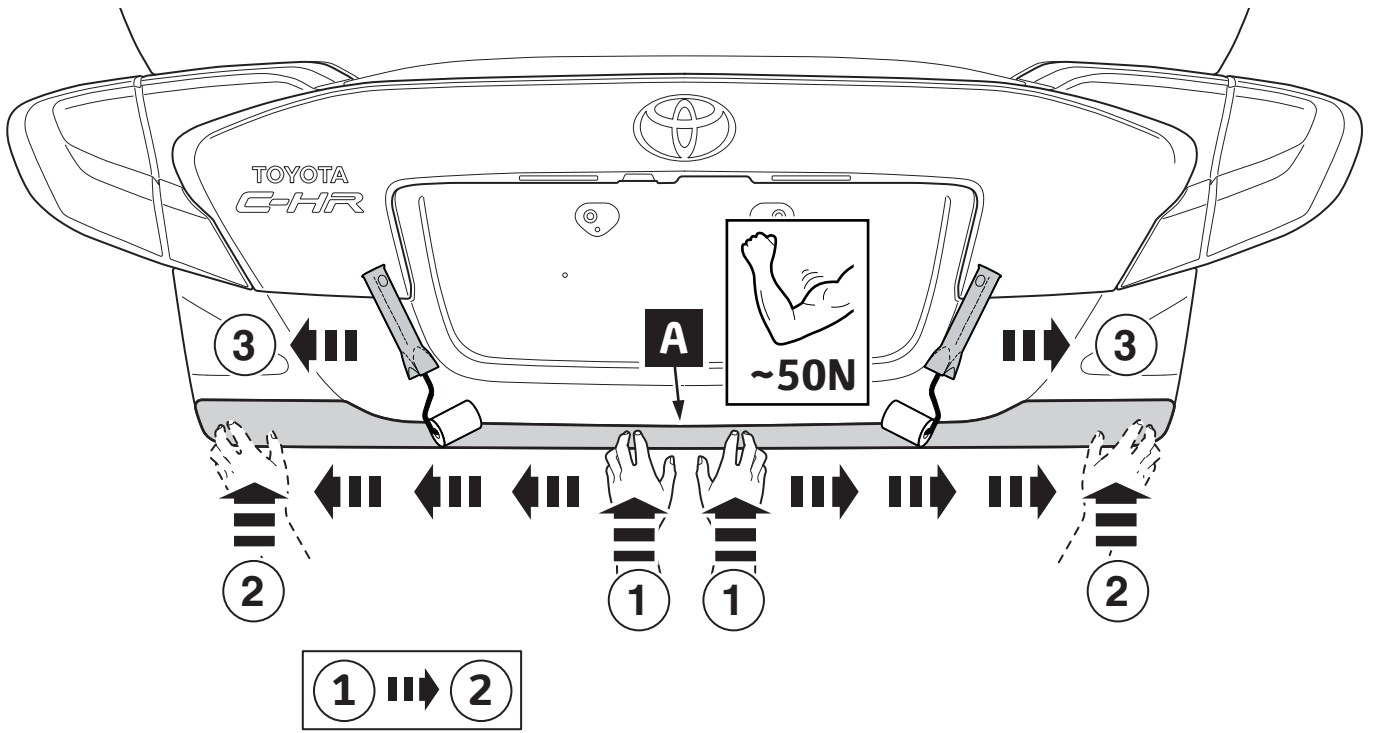
6



7



8



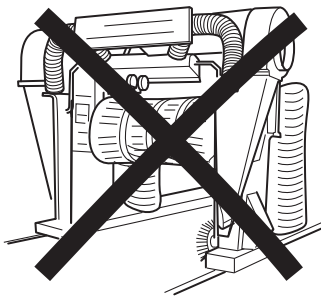
9

INFO

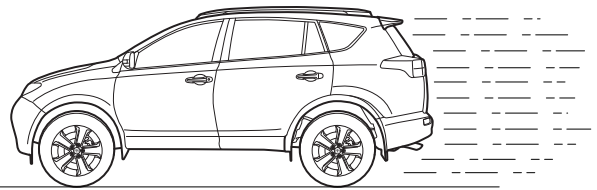
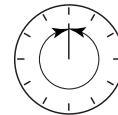
5 min.



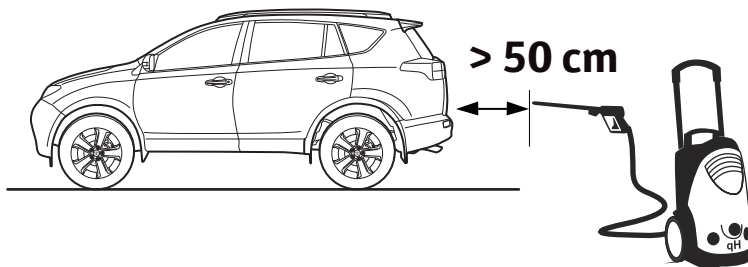
24 h



24 h



Max. 90 Km/h



CHECK SHEET



TOYOTA

Model / Year Toyota C-HR **Lower trunk garnish**
(All except AWD) 2016/10, 2019/10

VIN n°

ALWAYS A
BETTER WAY

P/N = OK

X

✓

X

✓

= OK

Installation Date:

.. / .. / ..

Technician Name & Signature:

Stamp: