



TOYOTA

ALWAYS A
BETTER WAY

GT86

Badge, GT86

Installation instructions

Model year: 2012/05, 2016/08

Vehicle code: ZN6-AKE7

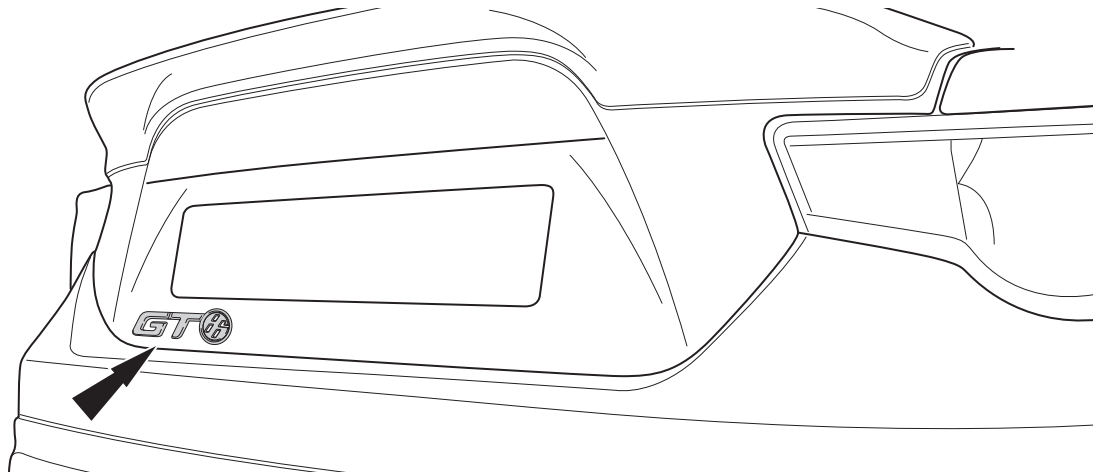
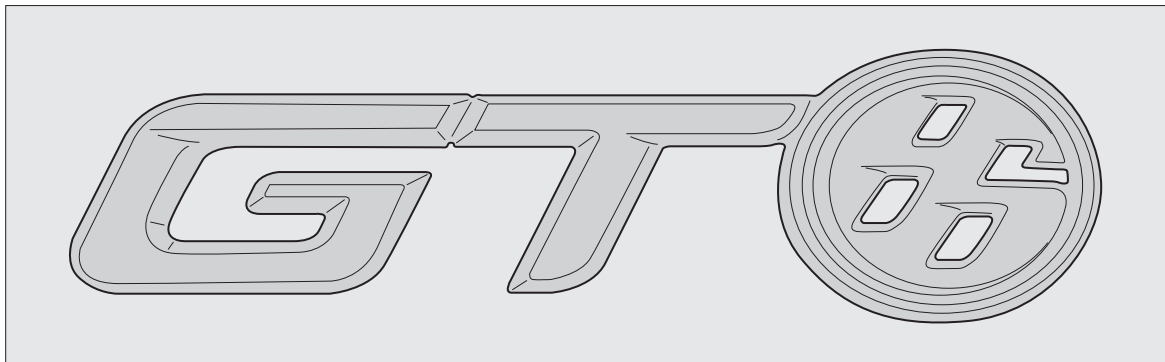
Part number: PZ443-10010-00

Manual reference number: AIM 002 627 - 1

Revision Record

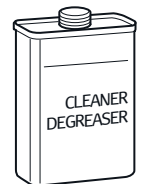
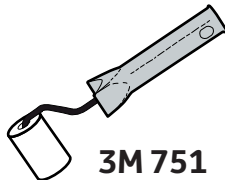
Rev. No.	Date	Page	Picture	Update	New	Deleted steps
1	07.06.16	1, 2, 10		X		
1	07.06.16	3	1 - 2	X		
1	07.06.16	4	3 - 4	X		
1	07.06.16	6-9			X	

PZ443-10010-00



A

1x

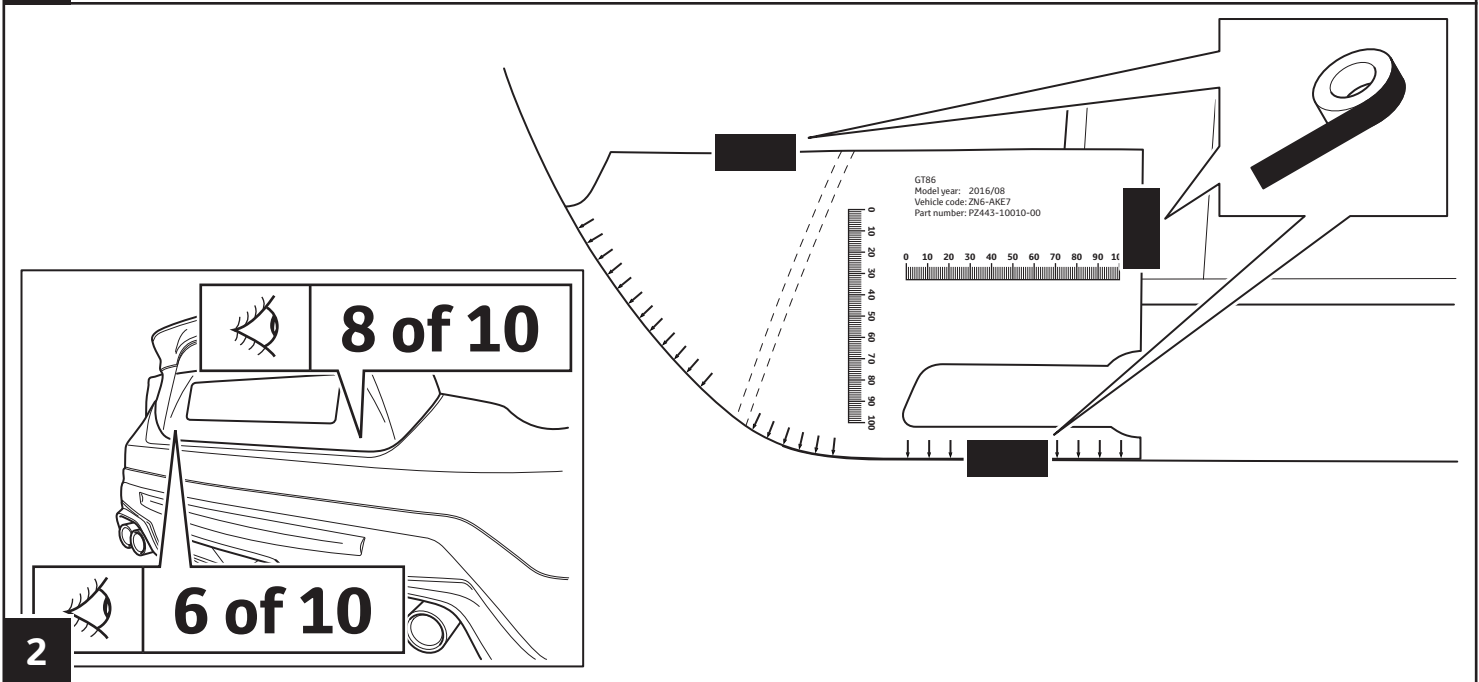
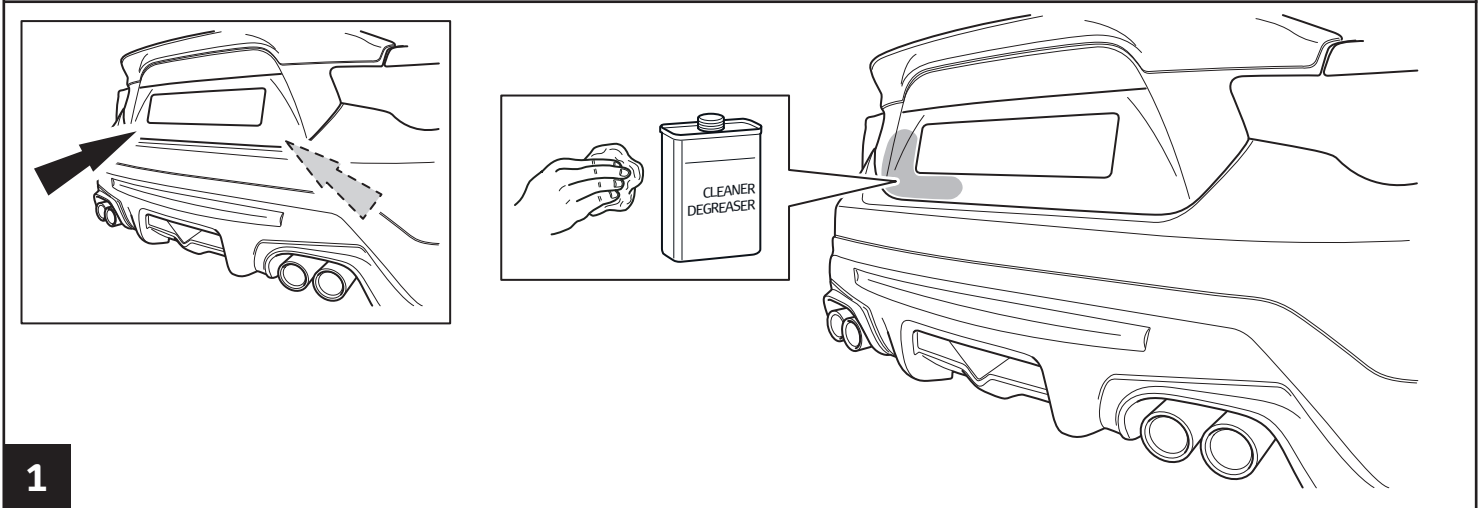
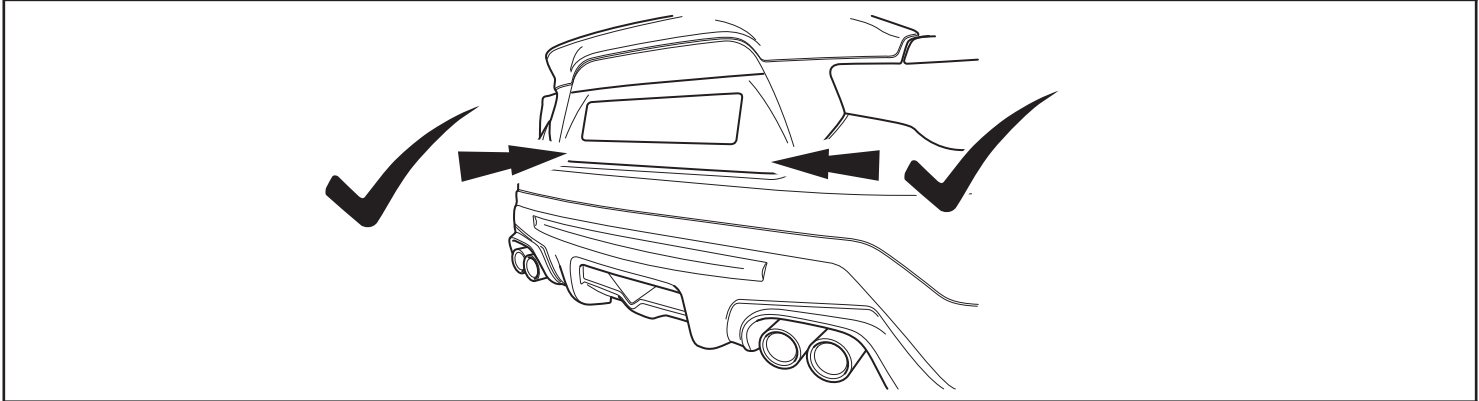


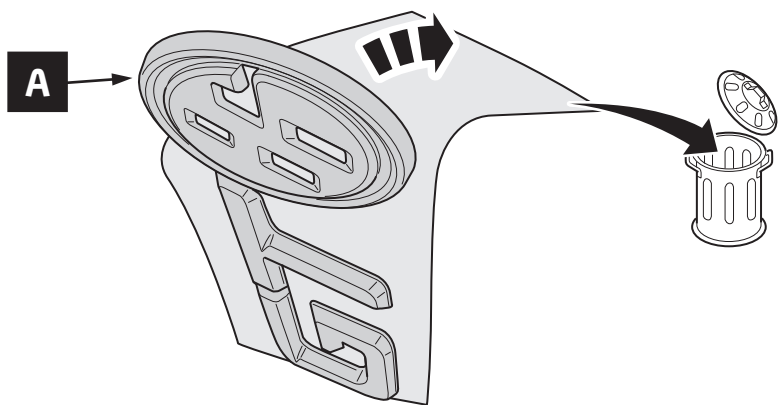
Warning symbols: exclamation mark in a triangle, eye, and MSDS (Material Safety Data Sheet) sheet.

Temperature requirements: 40°C and 18°C. A thermometer shows a level between 18°C and 40°C.

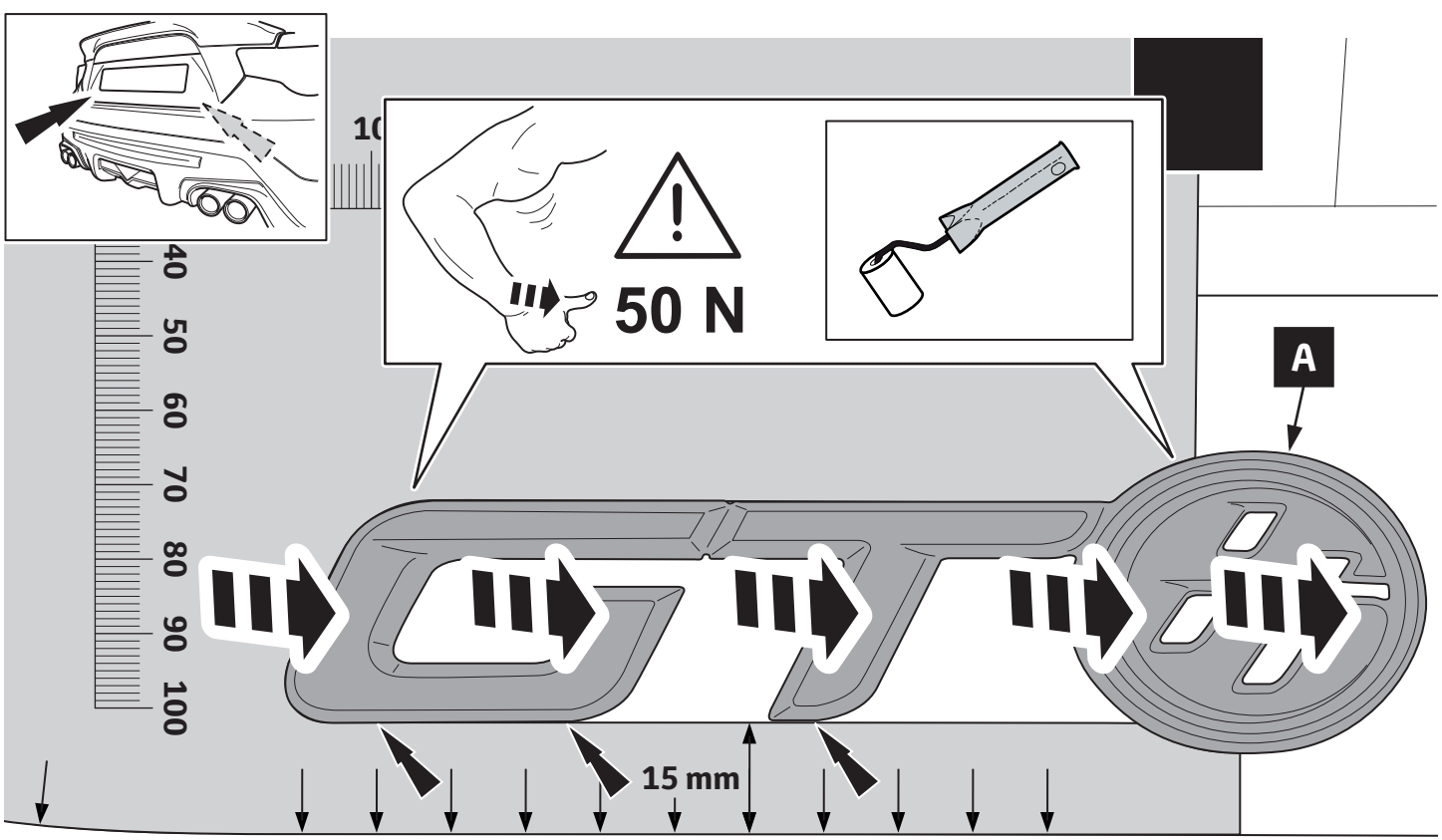
Environmental conditions: Sun (check mark), Rain (cross mark).

Directional indicators: Up arrow (cross mark), Down arrow (cross mark), and a central check mark.



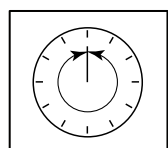


3

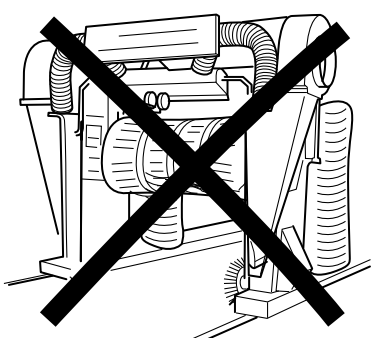


4

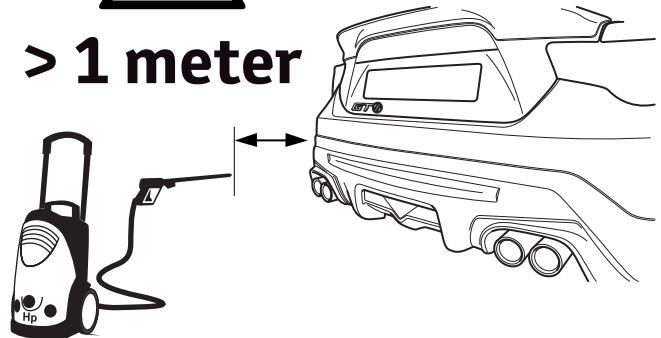
5 min.

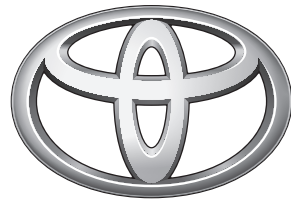


24 h

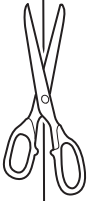


> 1 meter

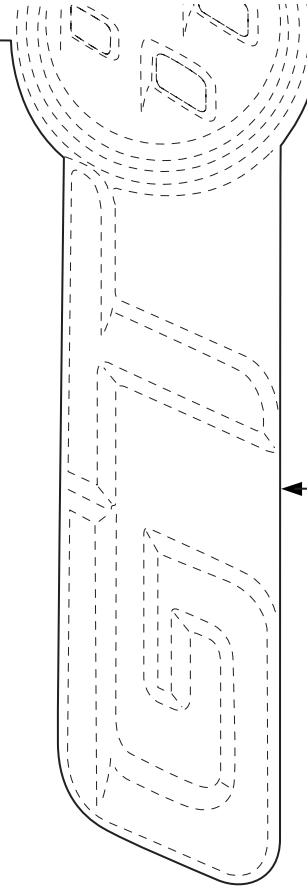
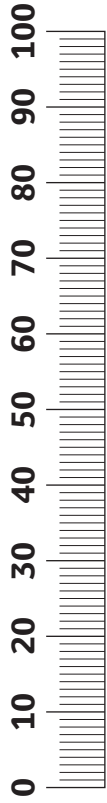
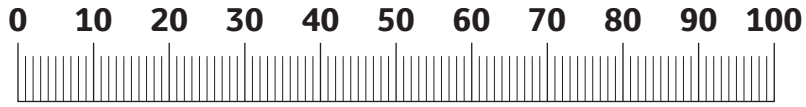




TOYOTA



GT86
 Model year: 2016/08
 Vehicle code: ZN6-AKE7
 Part number: PZ443-10010-00

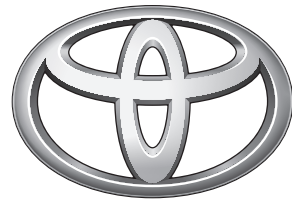


15 mm



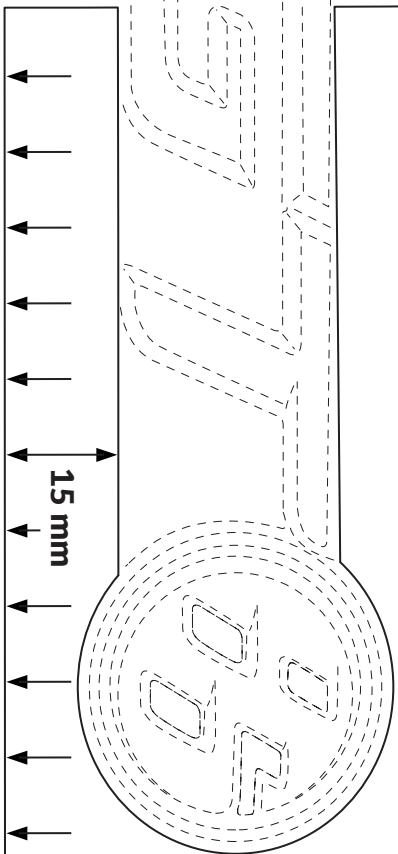
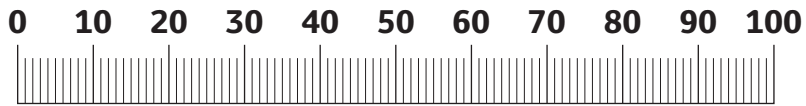
CHECK SIZE

Print 100%
 Check with rulers
 before use.



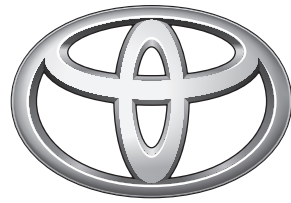
TOYOTA

GT86
Model year: 2012/05
Vehicle code: ZN6-AKE7
Part number: PZ443-10010-00



CHECK SIZE

Print 100%
Check with rulers
before use.



TOYOTA

CHECK SHEET




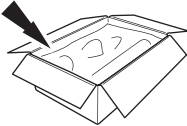
TOYOTA


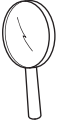
Model / Year **GT86 2012/05, 2016/08** **Badge, GT86**

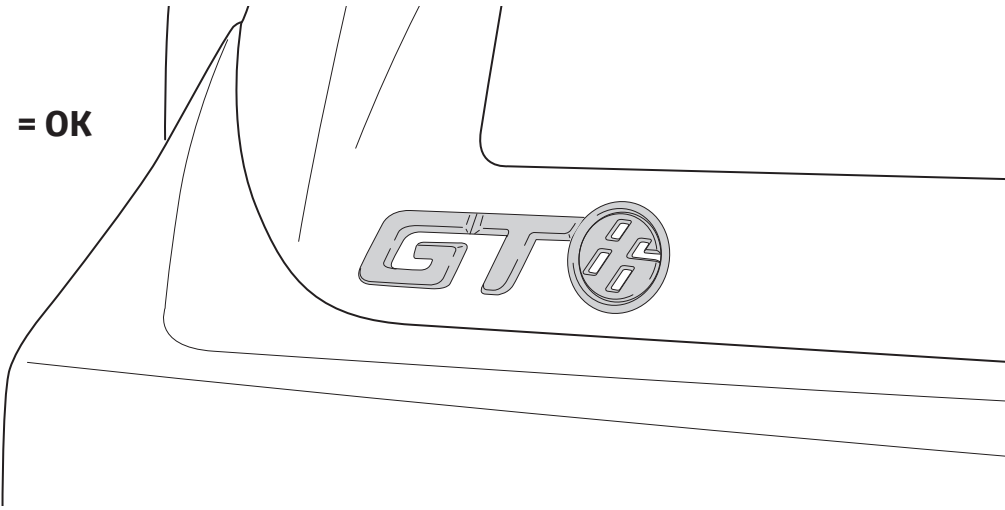
VIN n°


ALWAYS A
BETTER WAY


 **P/N = OK**




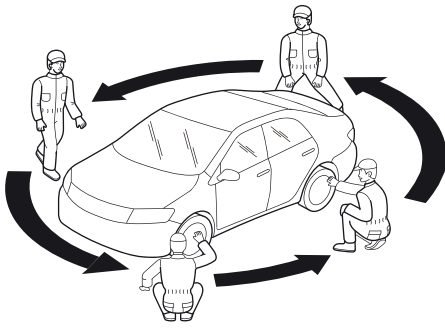

  **= OK**





 **X**



 **✓**



  **= OK**

Installation Date:

.. / .. / ..

Technician Name & Signature:

Stamp:



TOYOTA