



**TOYOTA**

ALWAYS A  
BETTER WAY

# Prius +

## Rear bumper protection plate, plastic

Installation instructions

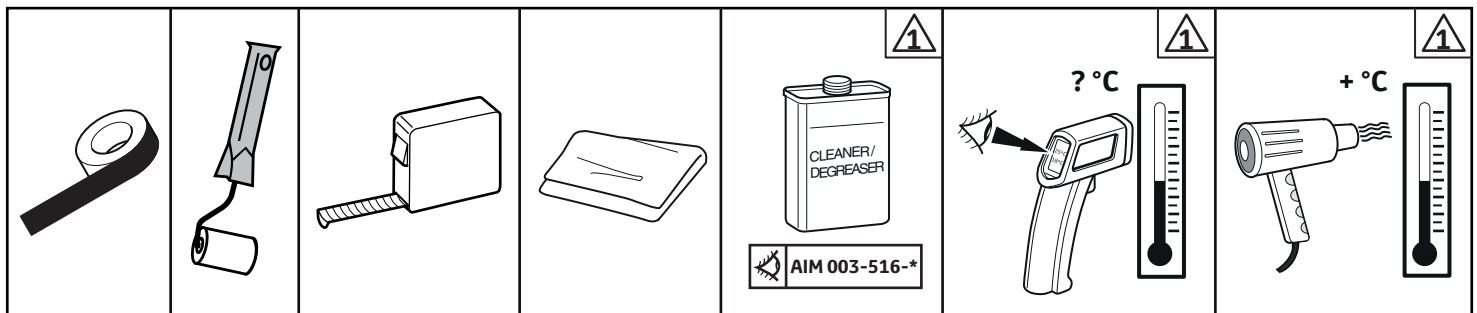
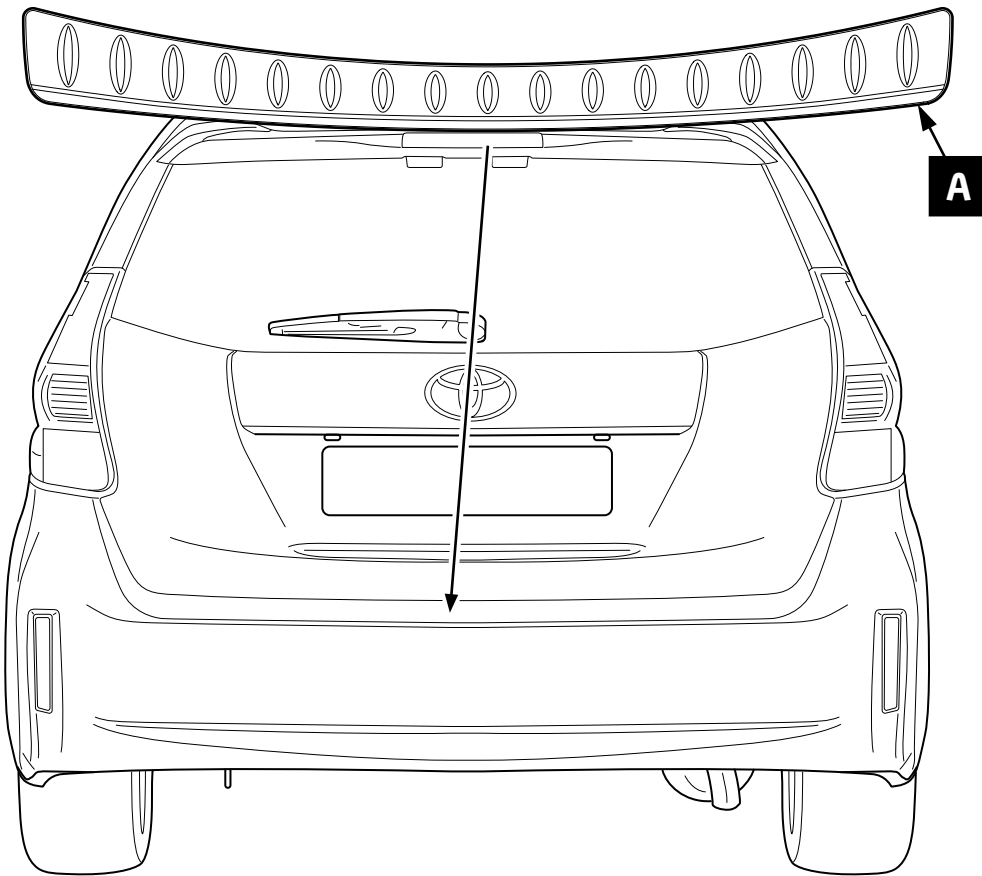
Model year:	2014/11
Vehicle code:	**W40*-AWXEB*
Part number:	PW178-47002

Manual reference number: AIM 003 330- 1

# Revision Record

Rev. No.	Date	Page	Step	Remarks
1	05.12.19	2		Tools added
1	05.12.19	3	1	Info and Cleaner updated
1	05.12.19	5	6, 7	Temperature check added
1	05.12.19	6	8, 9	Temperature check added
1	05.12.19	10		Tape check added

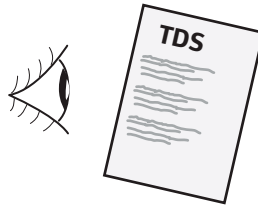
**PW178-47002**



INFO



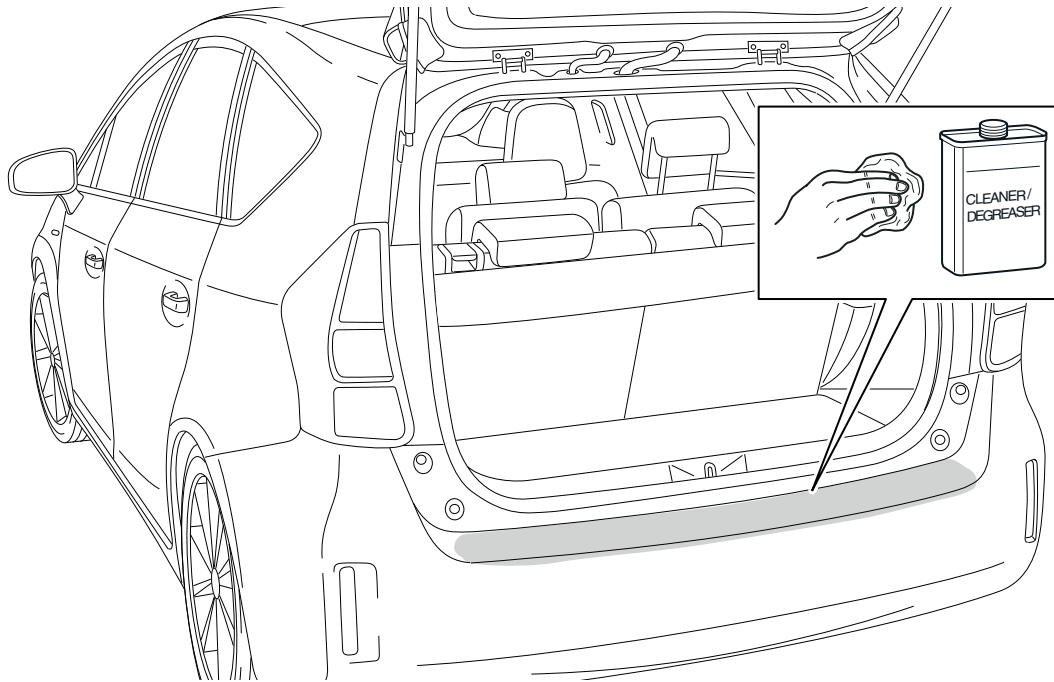
Material Safety Data Sheet



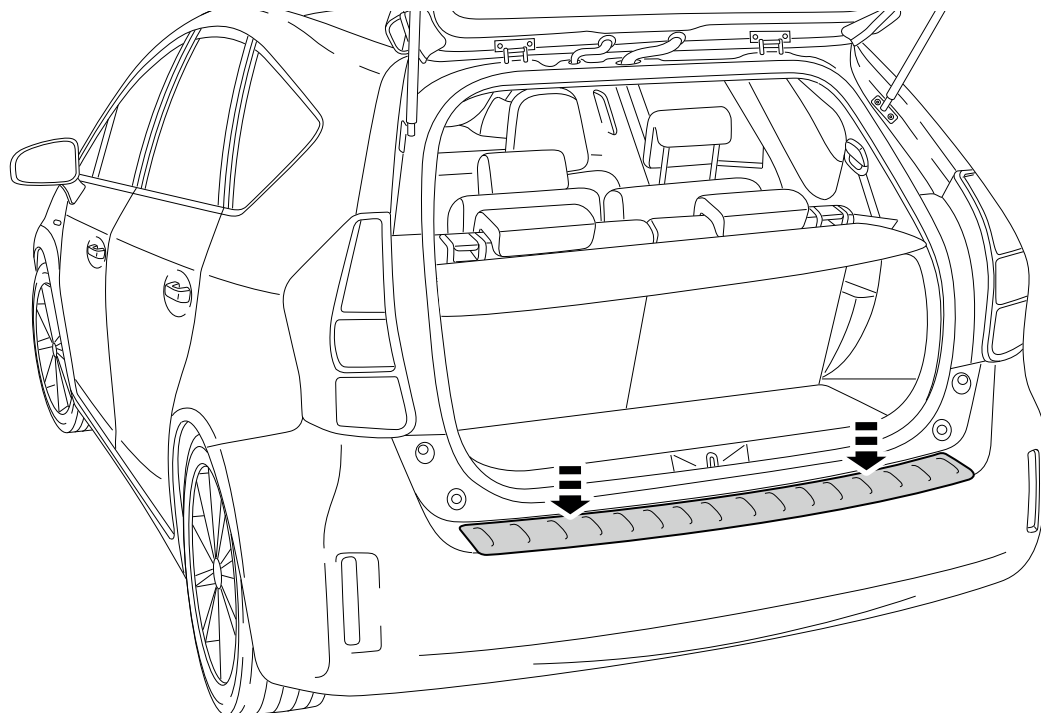
Technical Data Sheet

40°C

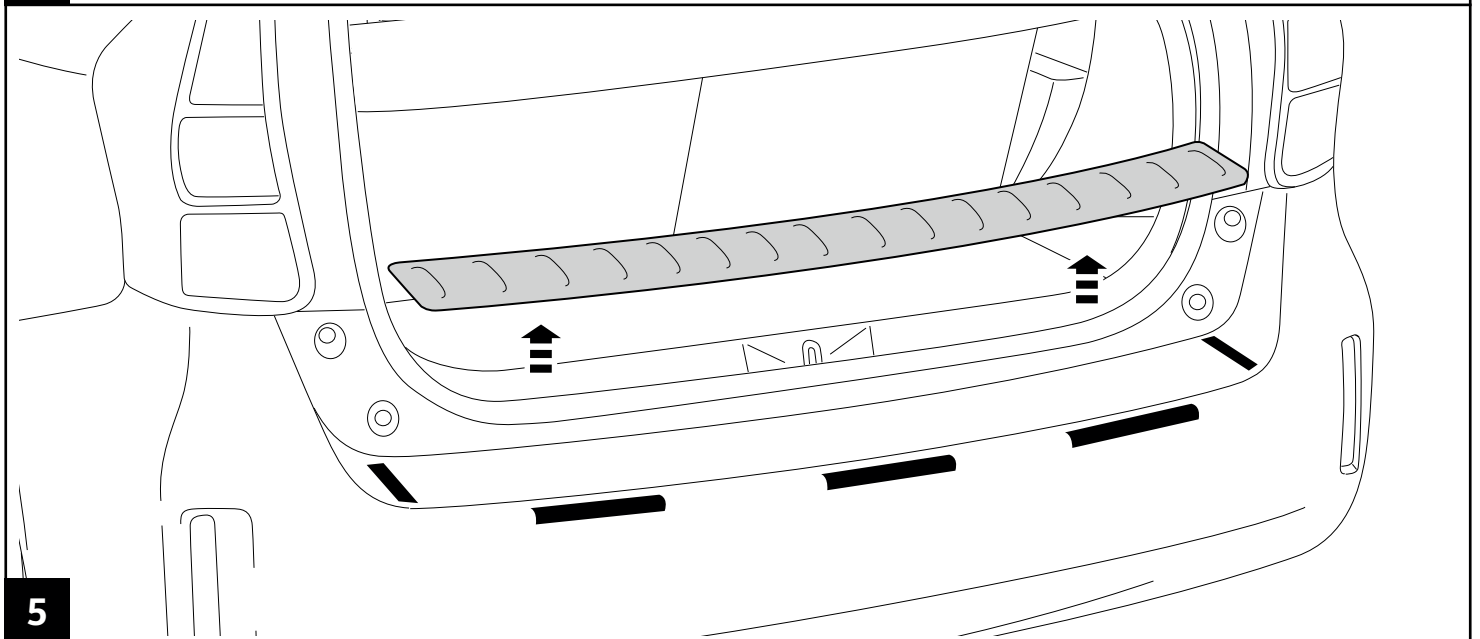
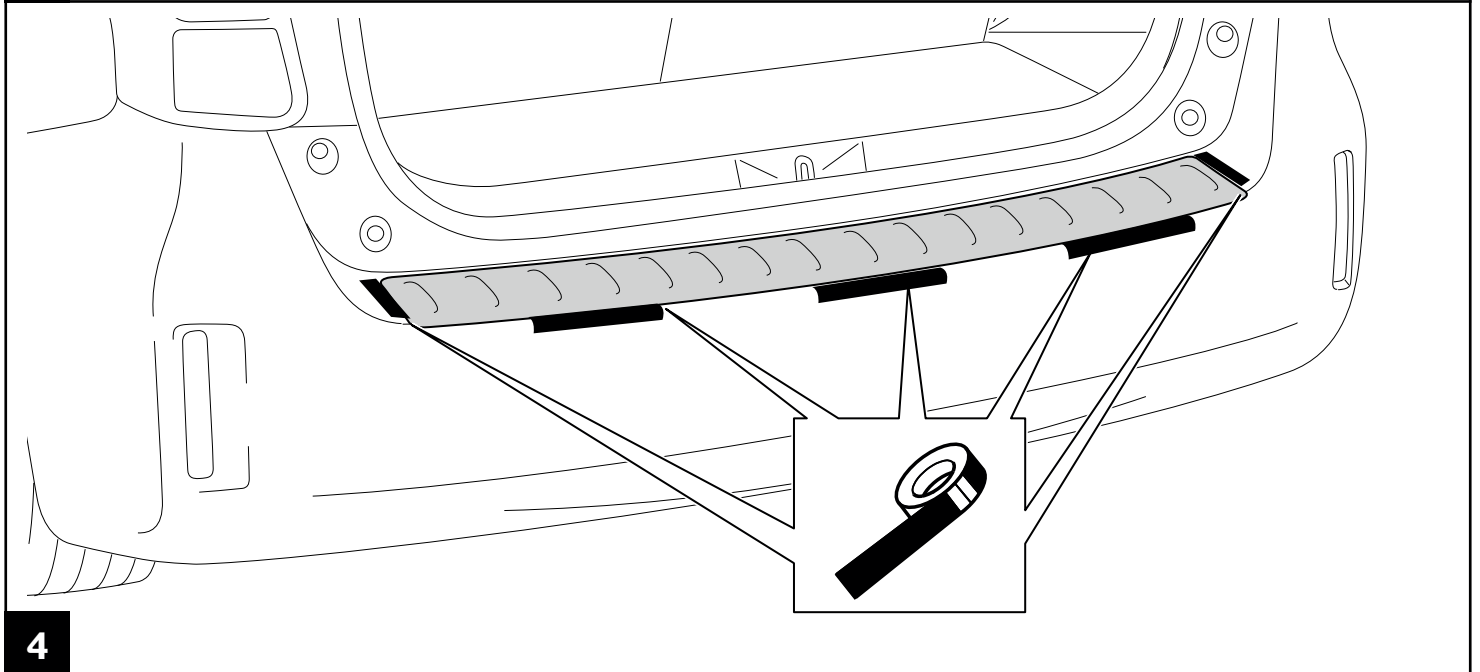
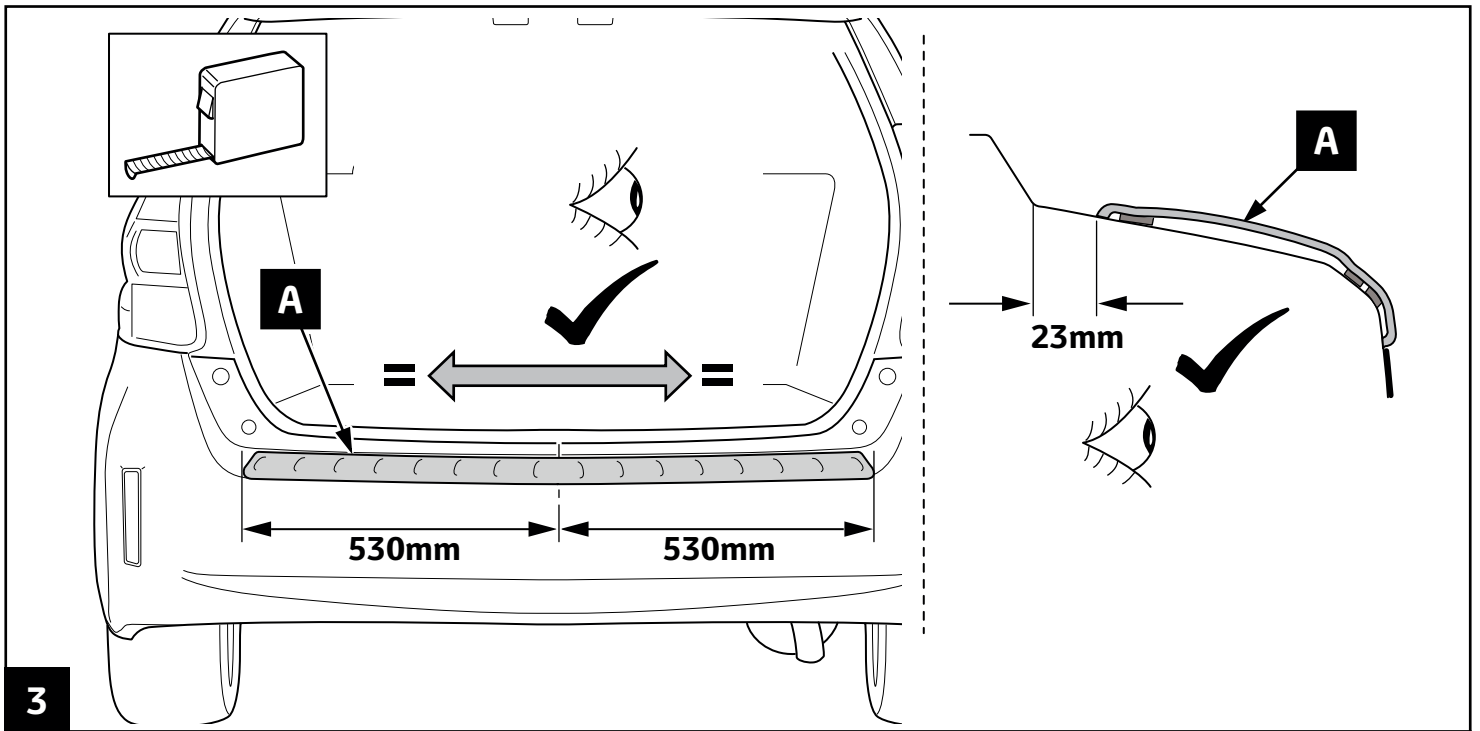
18°C

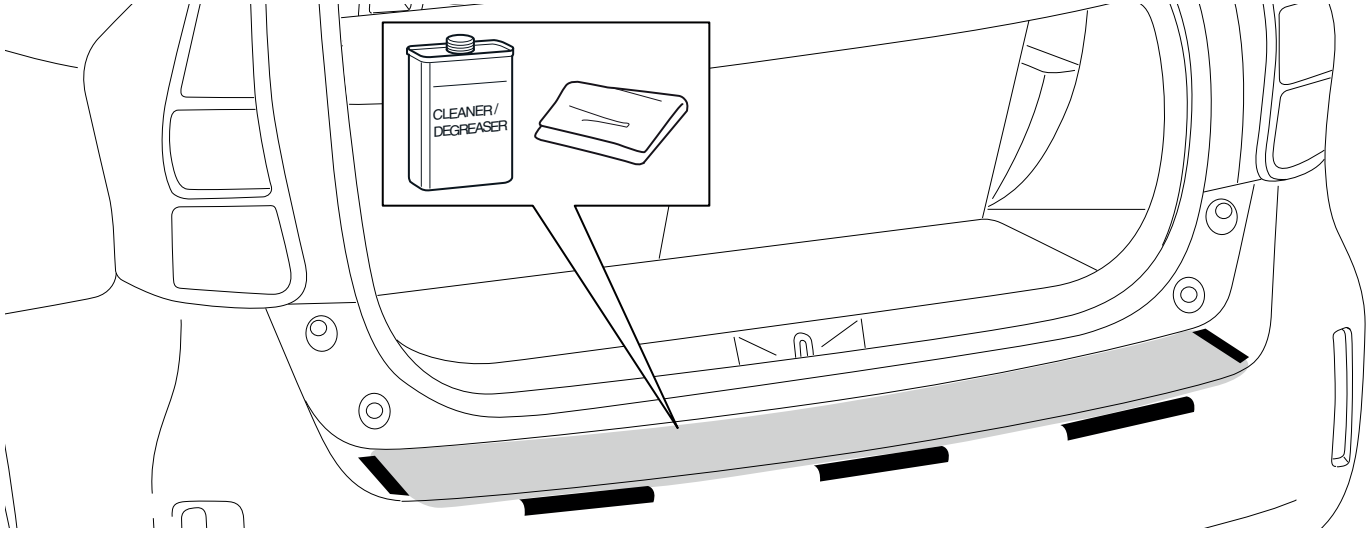


1

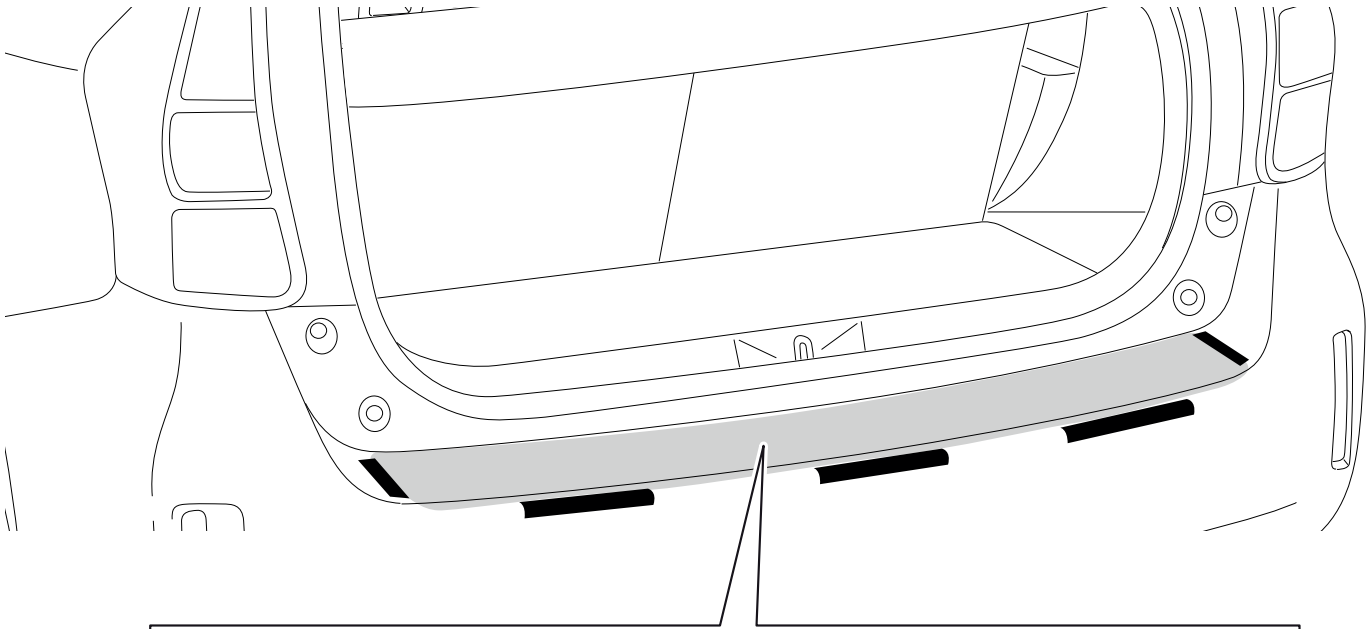


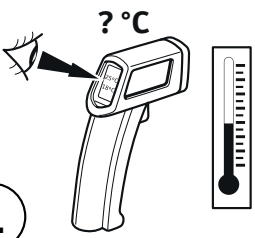
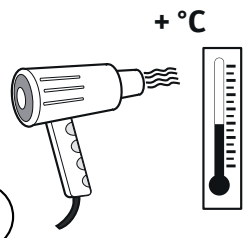
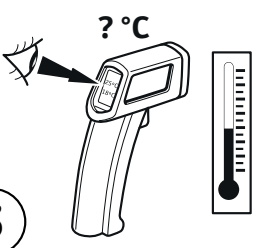



2



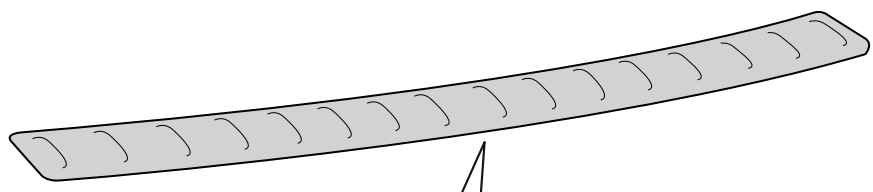


6



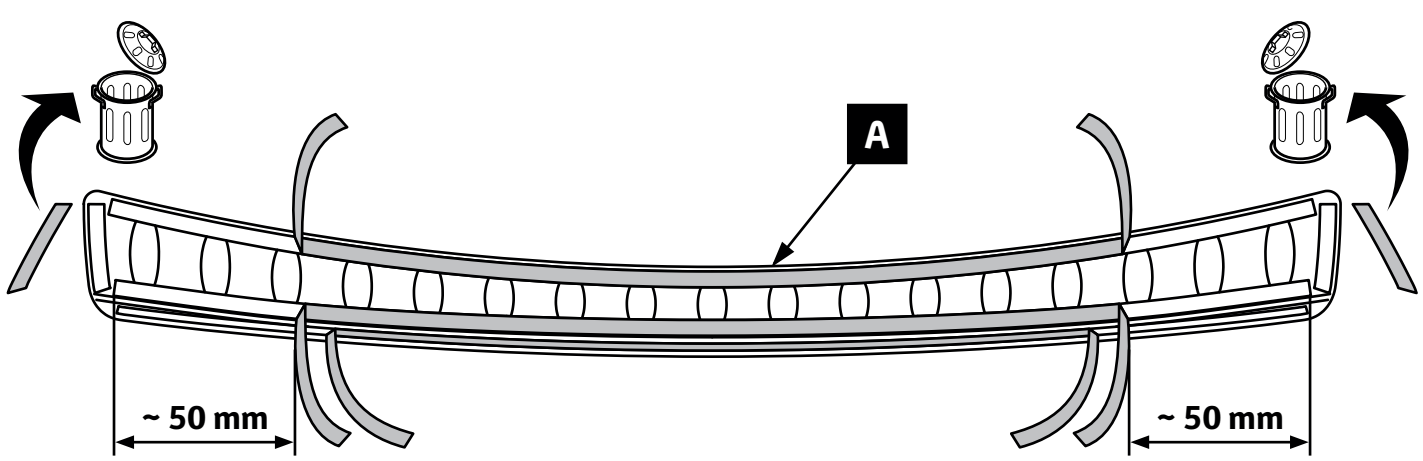
 <p>1</p>	<p>&lt; 20°C → 2</p> <p>&gt; 20°C - 40°C → 8</p>	 <p>2</p>
 <p>3</p>	<p>&gt; 20°C - 40°C → 8</p>	<p><b>INFO</b></p>  <p>7 → 13</p>  

7

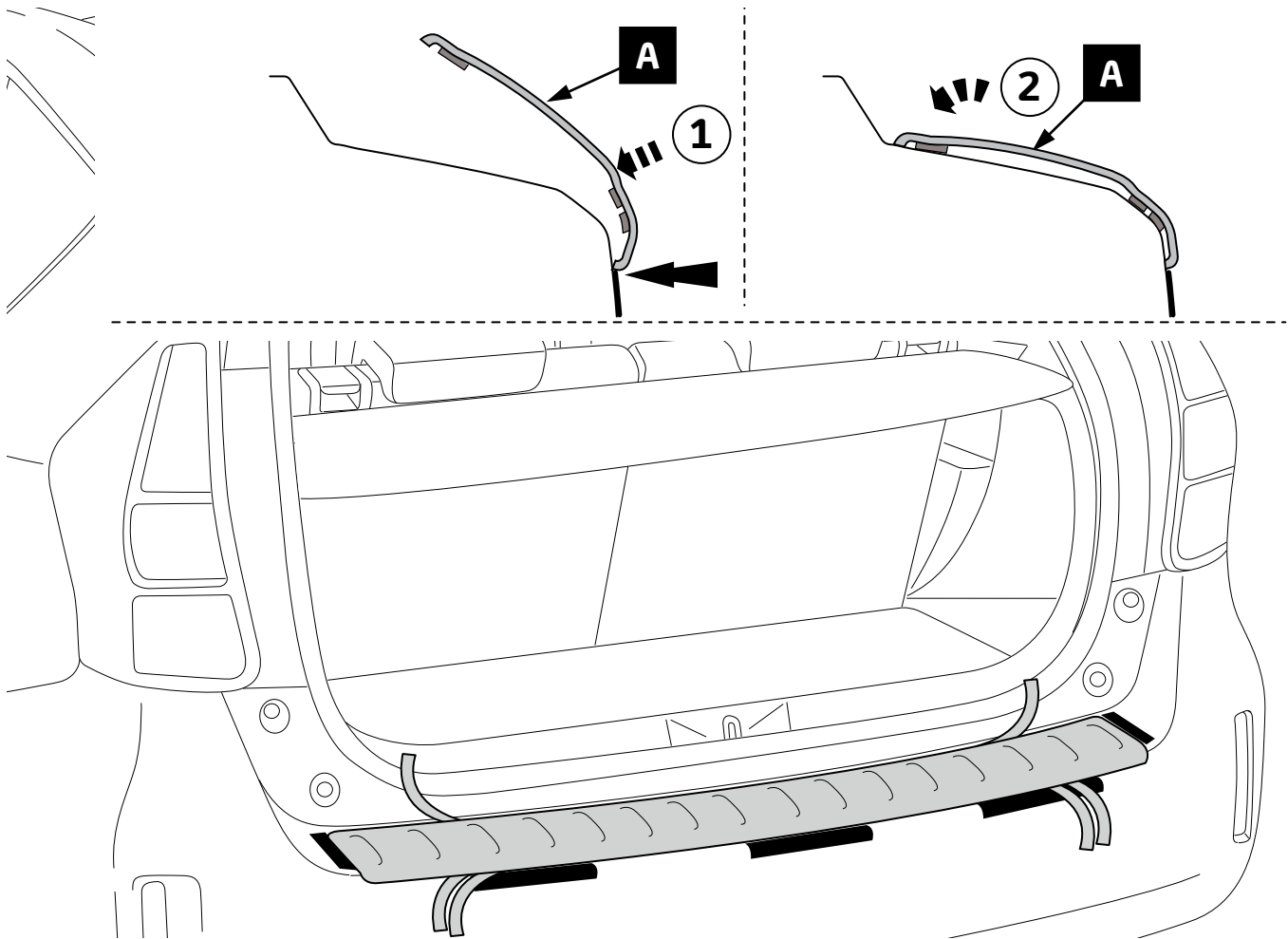


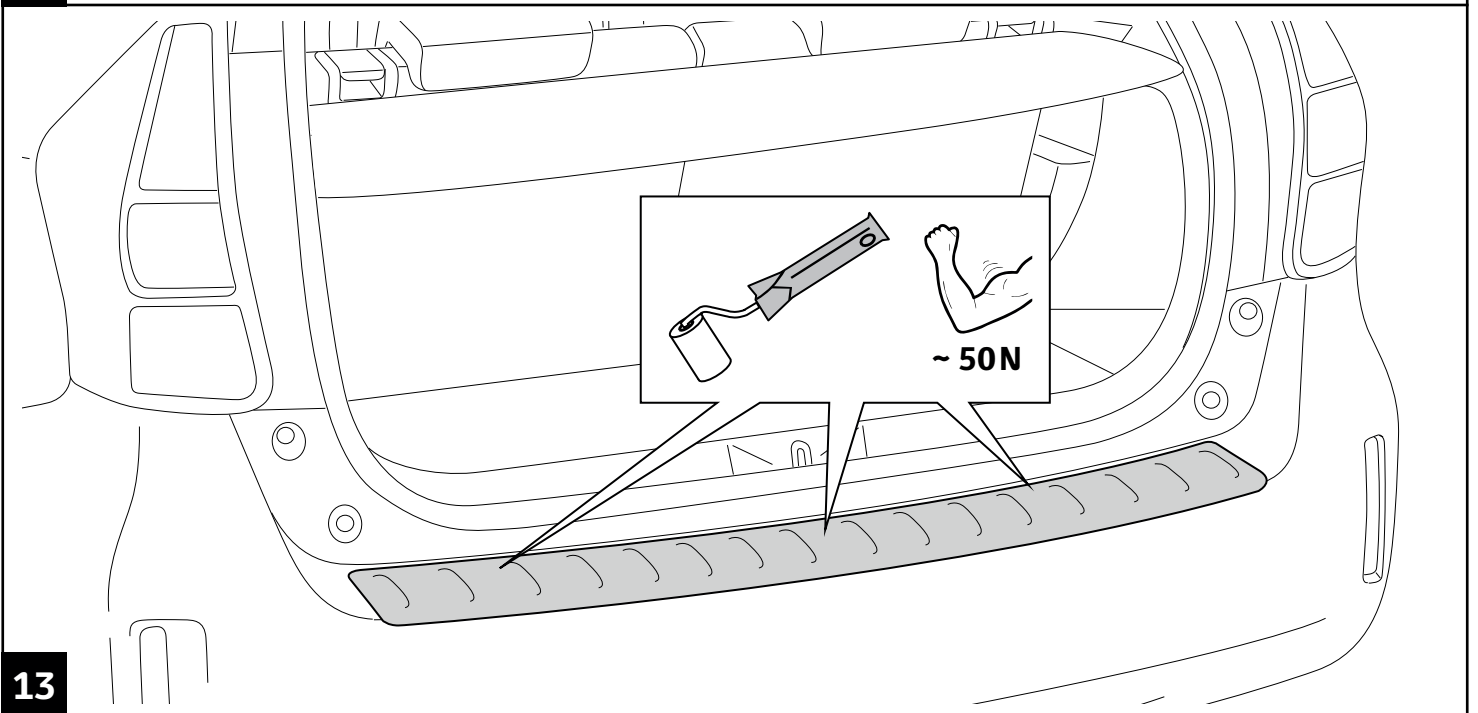
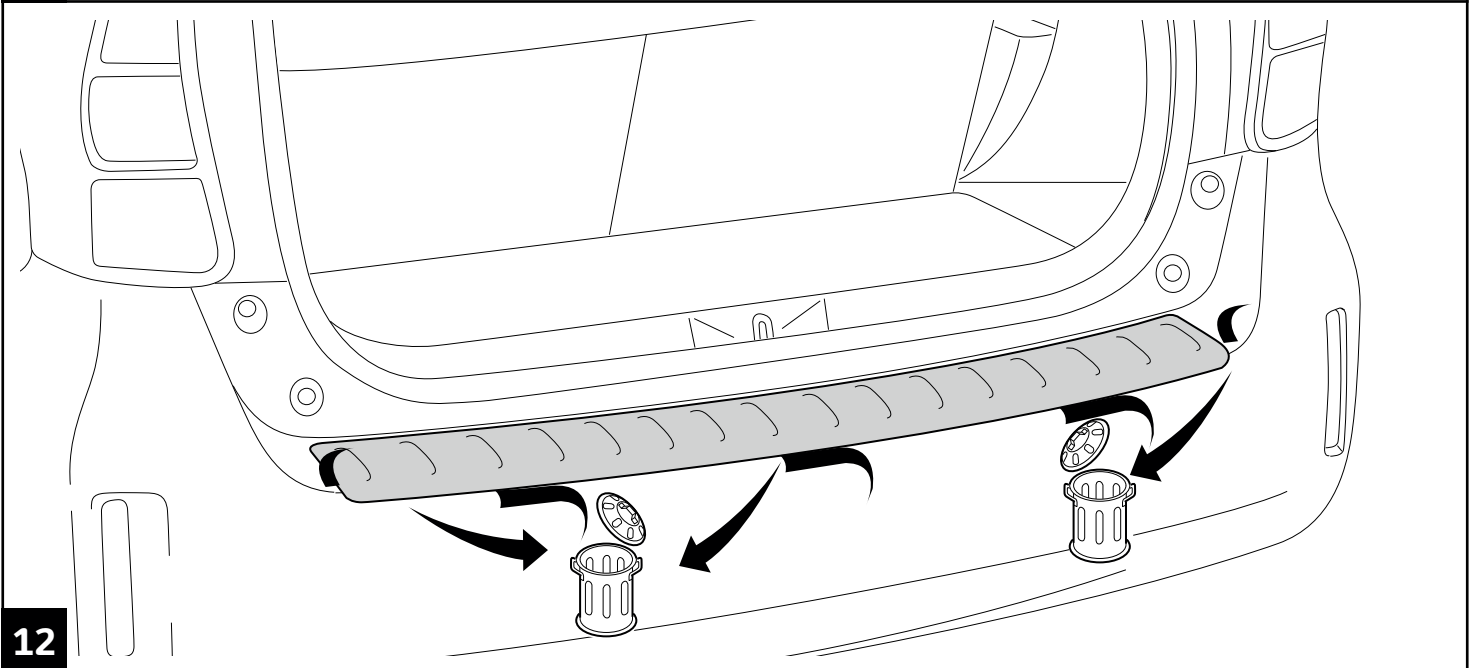
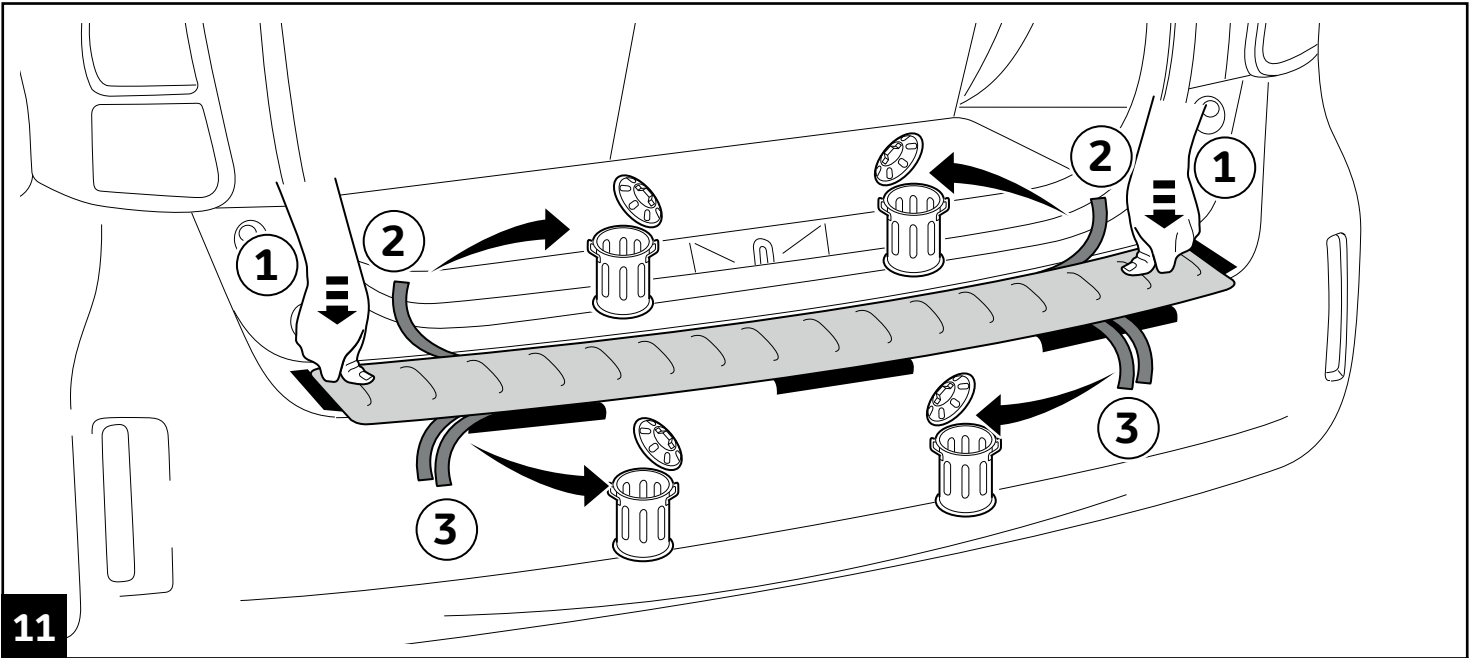
<p>1</p>	<p>&lt; 20°C → 2</p> <p>&gt; 20°C - 40°C → 9</p>	<p>2</p>
<p>3</p>	<p>&gt; 20°C - 40°C → 9</p>	<p><b>INFO</b></p> <p>8 → 13</p>

8



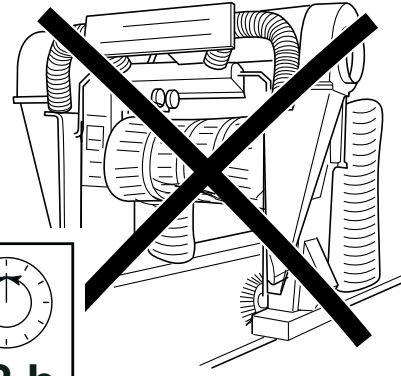
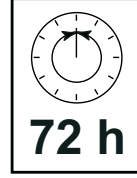
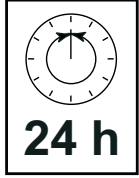
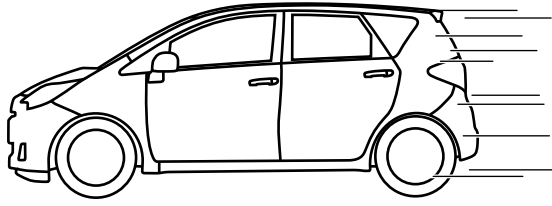
9







INFO



# CHECK SHEET



**TOYOTA**

**Model / Year**

**Prius +  
2014/11**

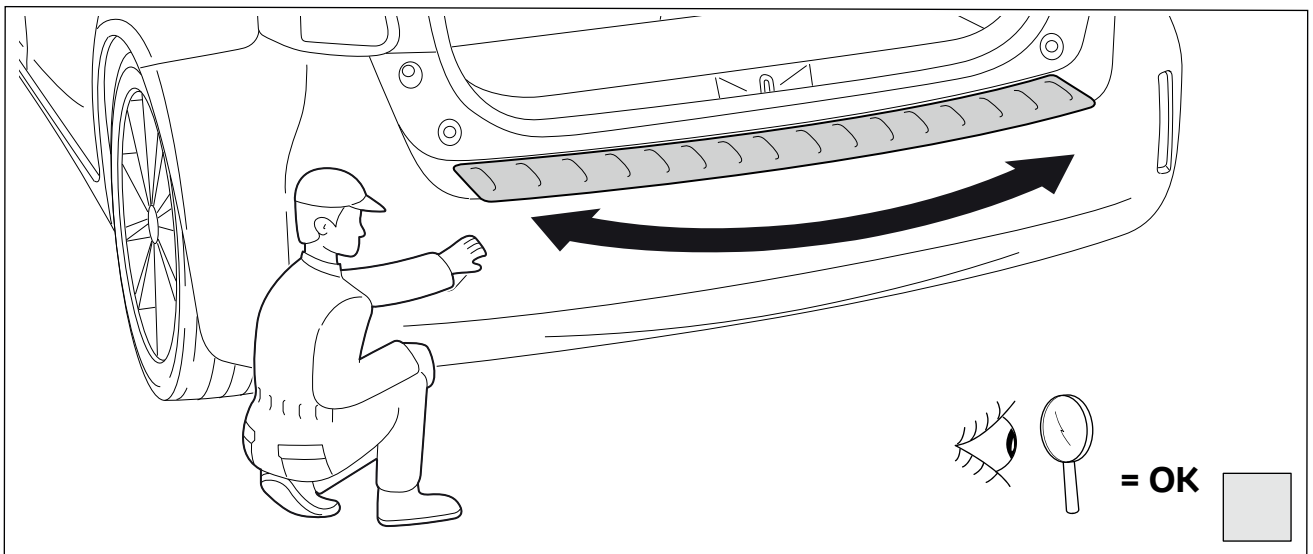
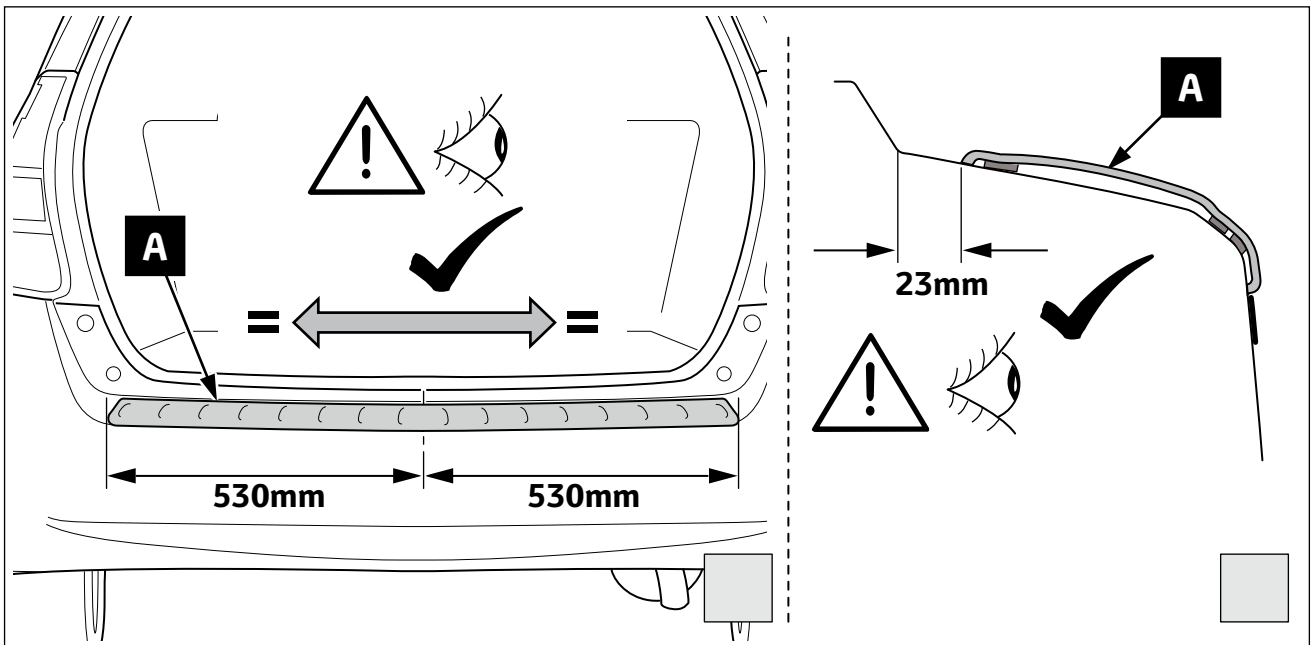
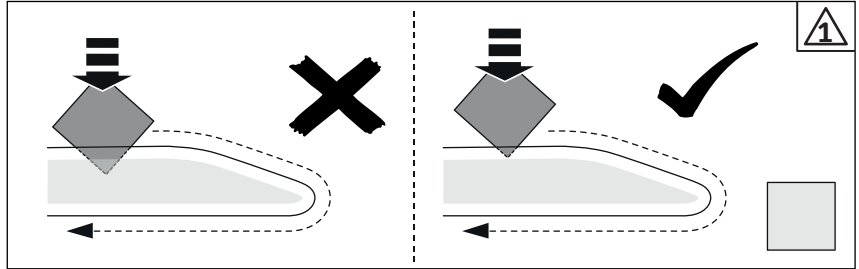
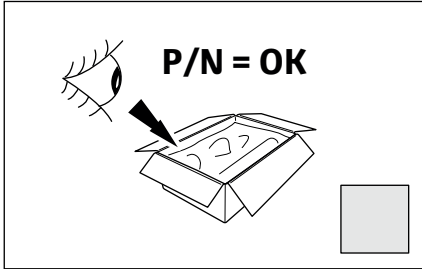
**Rear Bumper**

**Protection Plate, plastic**

**VIN n°**

□ □ □ □ □ □ □ □ □ □ □ □ □ □ □ □

ALWAYS A  
BETTER WAY



**Installation Date:**  
... / ... / ...

**Technician Name & Signature:**

**Stamp:**