

# Corolla (HB)

## Rear Bumper Protection Film

### Installation Instructions

Model year: As from 2019/01

Vehicle code: \*\*E\*1\*\*-DH\*\*\*W

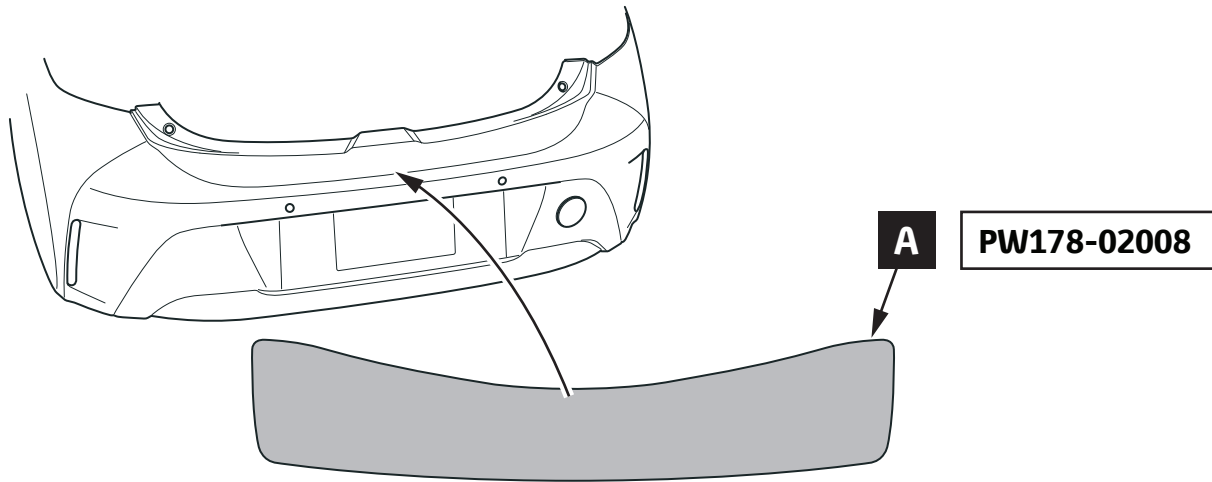
Part number: PW178-02008

Manual reference number: AIM 004 236-2

# Revision record

Rev. No.	Date	Page	Step	Remarks
△ <sub>1</sub>	01.03.2019	6	8	Detail view added
△ <sub>2</sub>	03.03.2021	3-5	Info, 3-4	Temperature range updated

## PW178-02008



1x

			<p><b>PZ438-00030-90</b></p>
<p><b>AIM 003-516-*</b></p>	<p><b>SPRAYER</b></p>		<p><b>3M Gold squeegee NOT INCLUDED</b></p>

1x

**INFO**

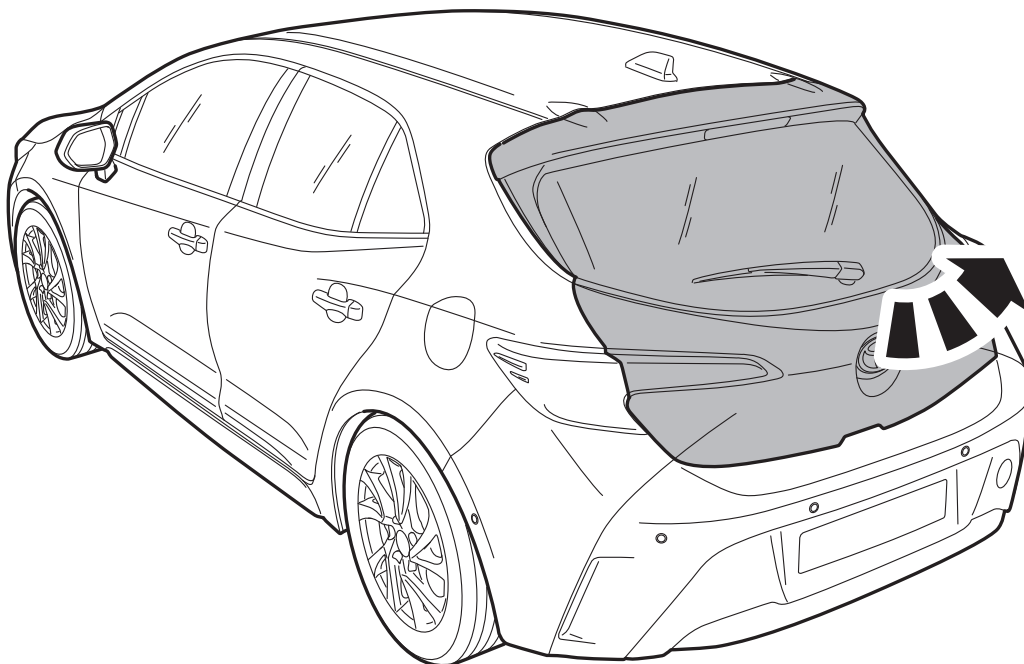
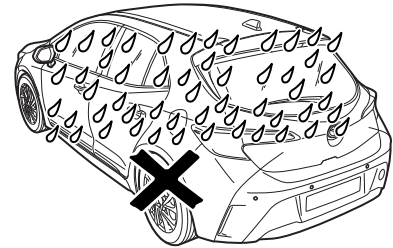
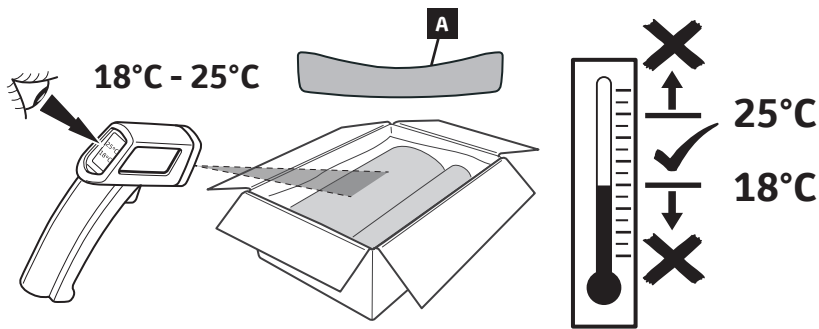
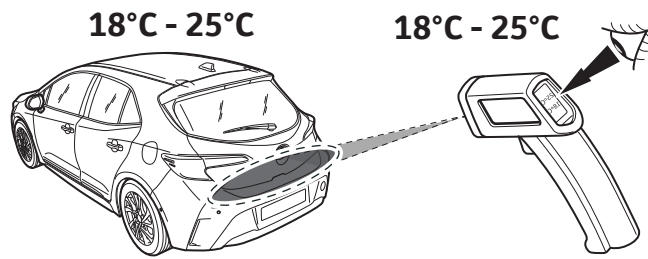


**Material Safety Data Sheet**

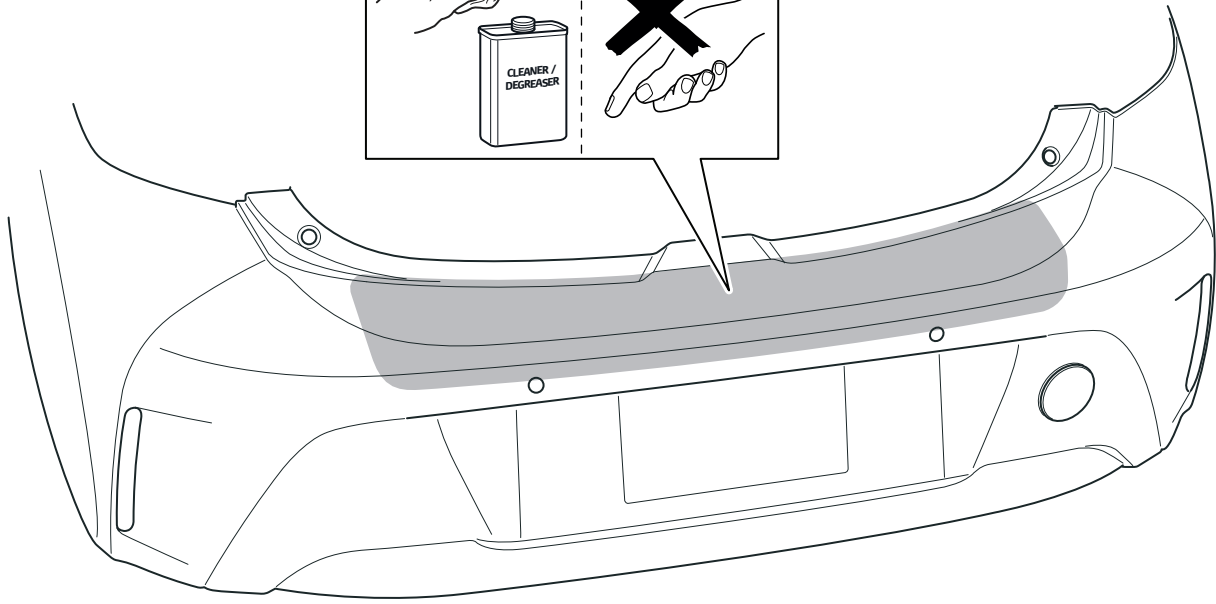
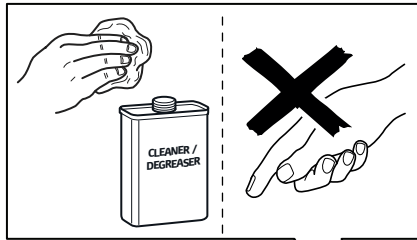


**Technical Data Sheet**

2

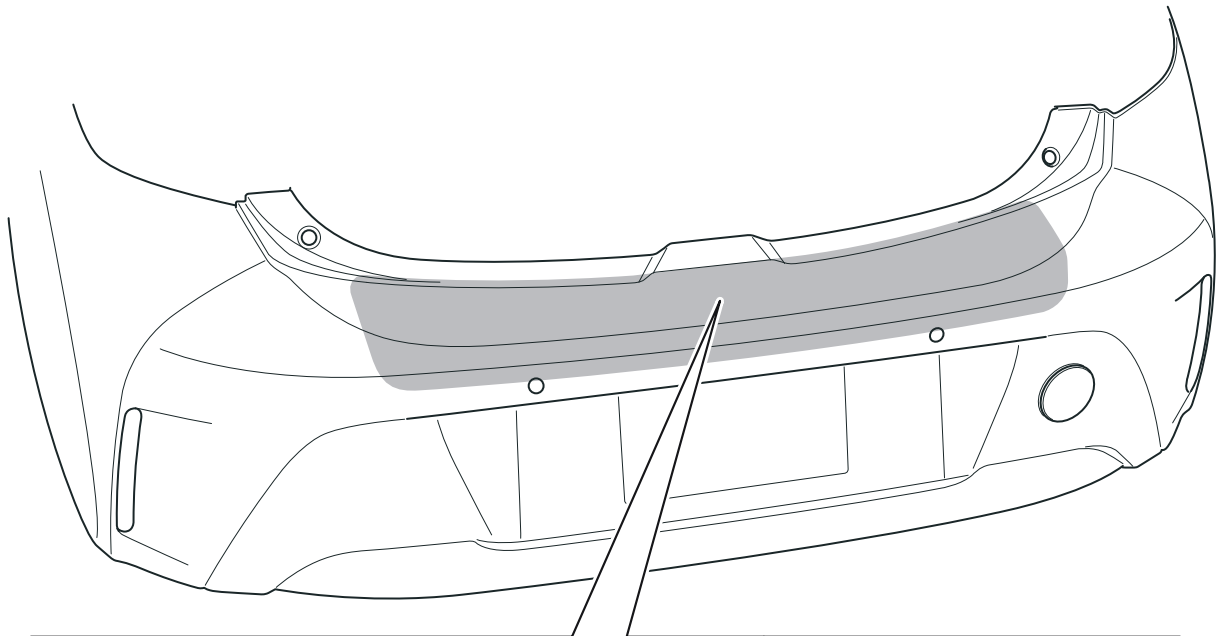




1



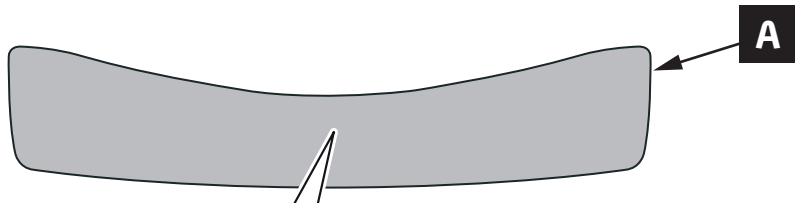
2

2



<p>①</p> <p>? °C</p>	<p>&lt; 18°C → ②</p> <p>18°C - 25°C → 4</p>	<p>②</p> <p>+ °C</p>
<p>③</p> <p>? °C</p>	<p>18°C - 25°C → 4</p>	<p><b>INFO</b></p> <p>⌚ ③ → ⑦</p> <p> ✓</p> <p> ✗</p>

3



<p>1</p>	<p>&lt; 18°C → 2</p> <p>18°C - 25°C → 5</p>	<p>2</p>
<p>3</p>	<p>18°C - 25°C → 5</p>	<p><b>INFO</b></p> <p>4 → 7</p>

4

1

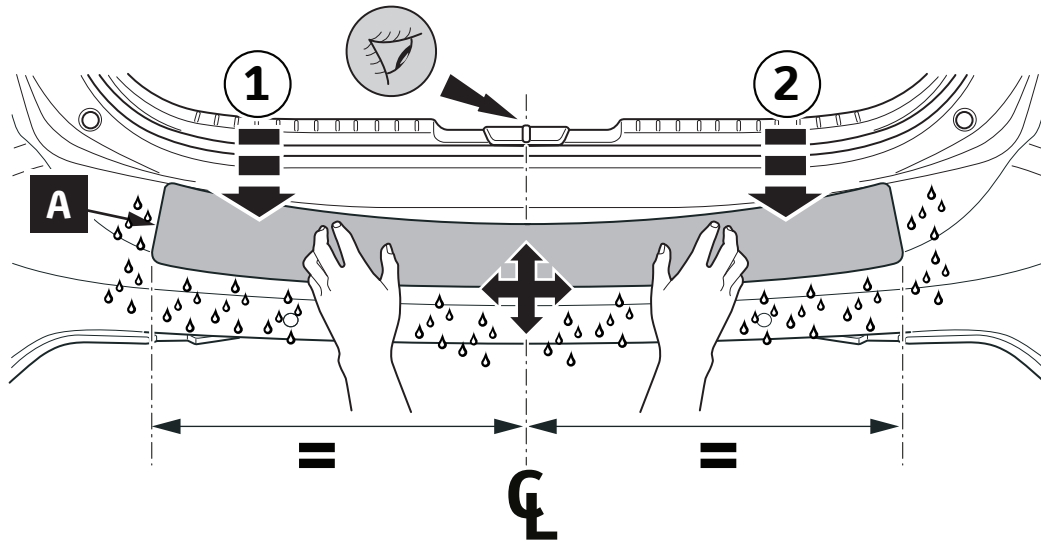
2

5

1

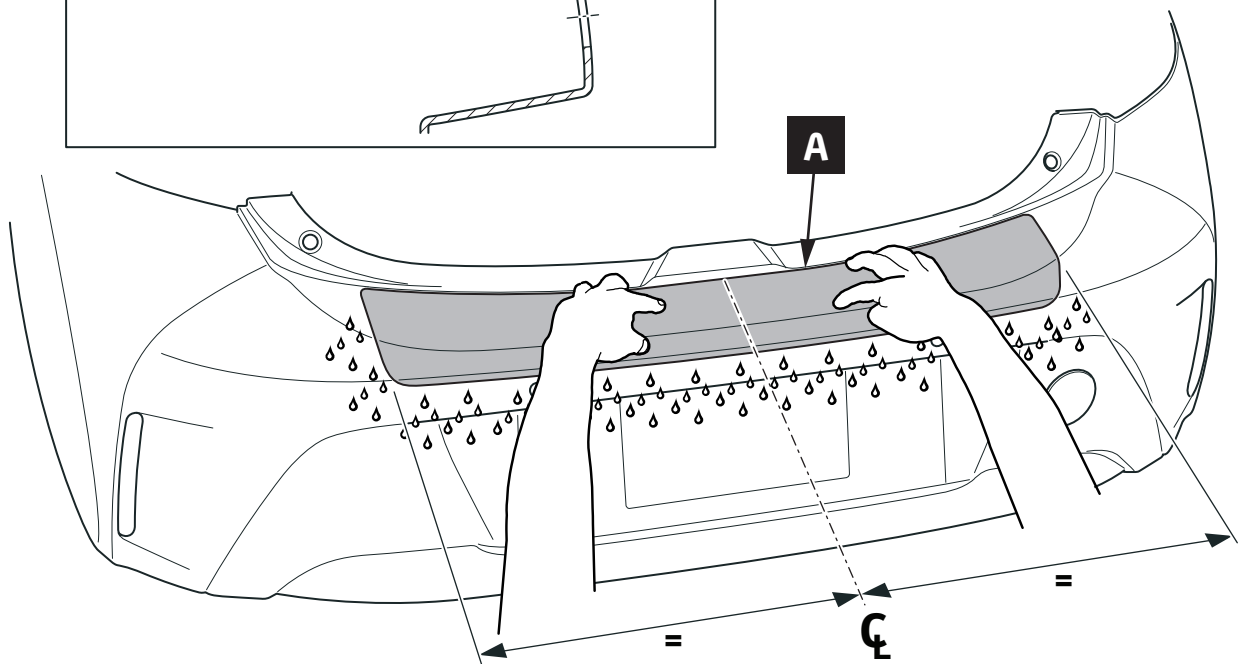
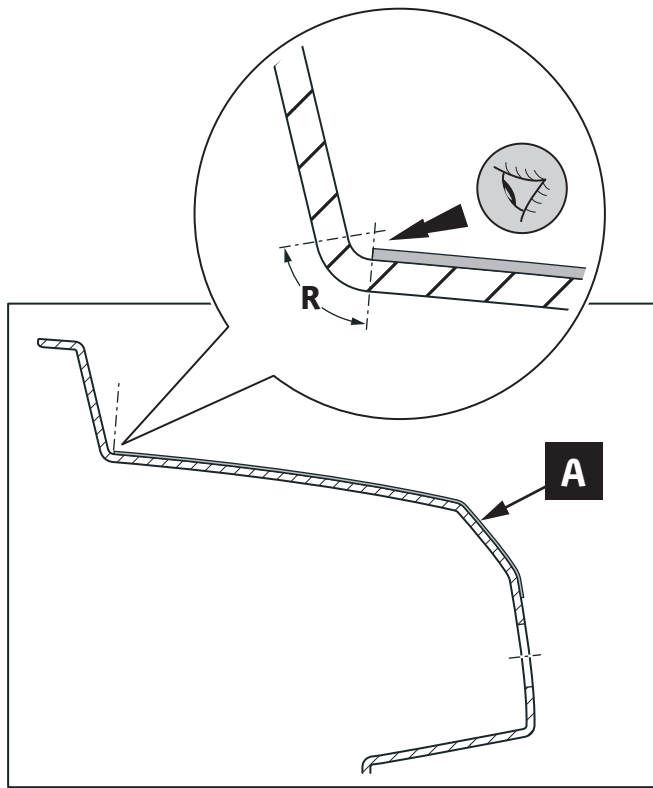
2

6

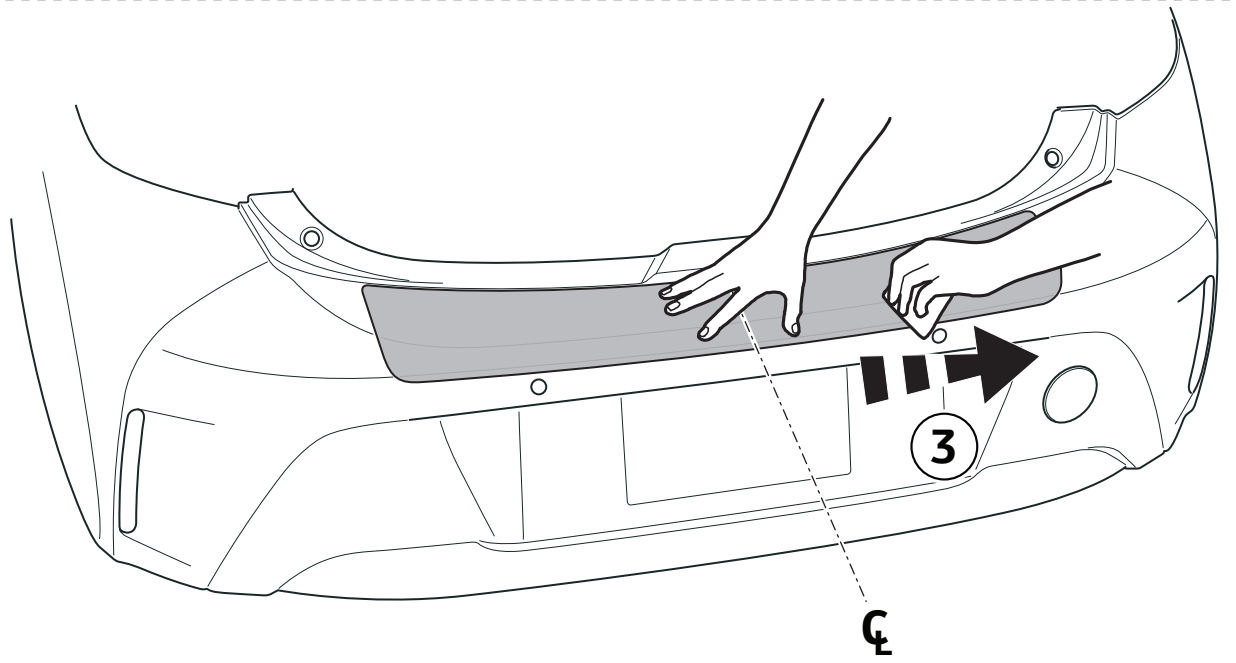
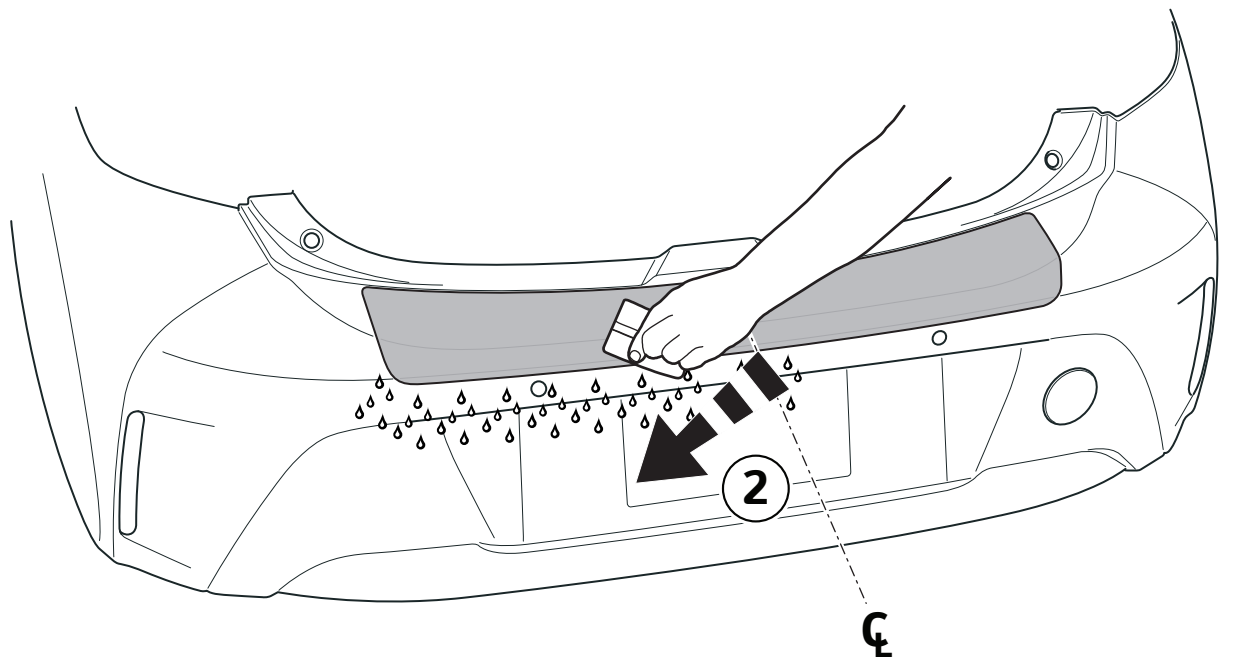
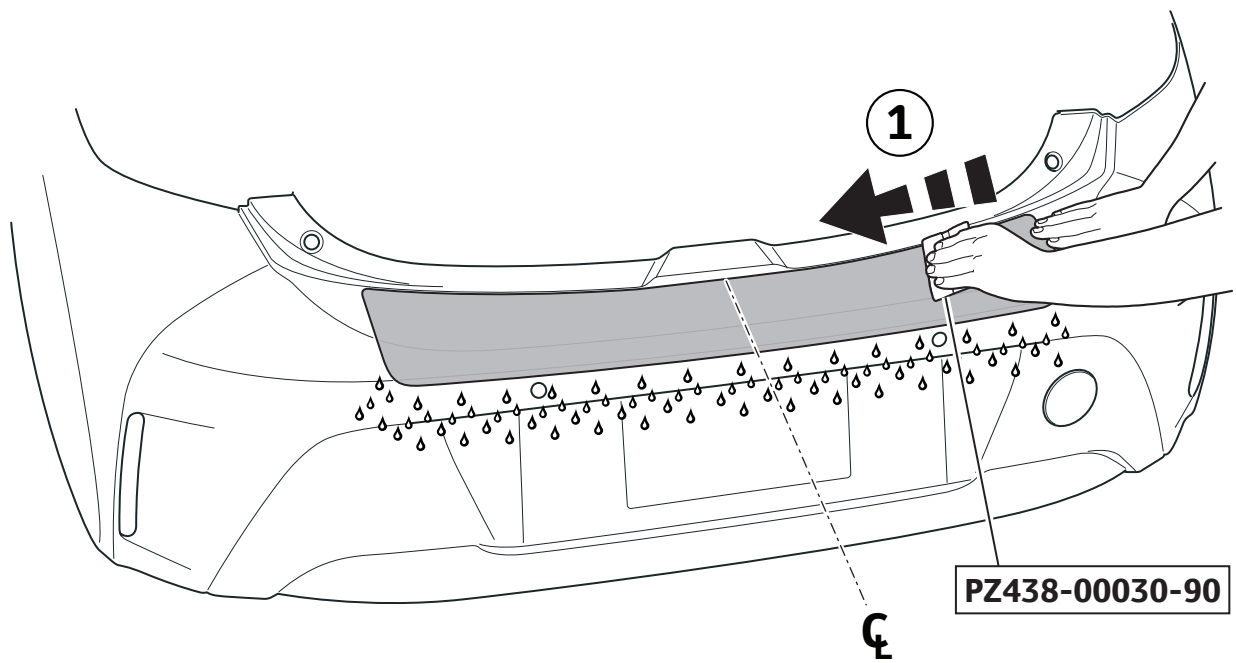


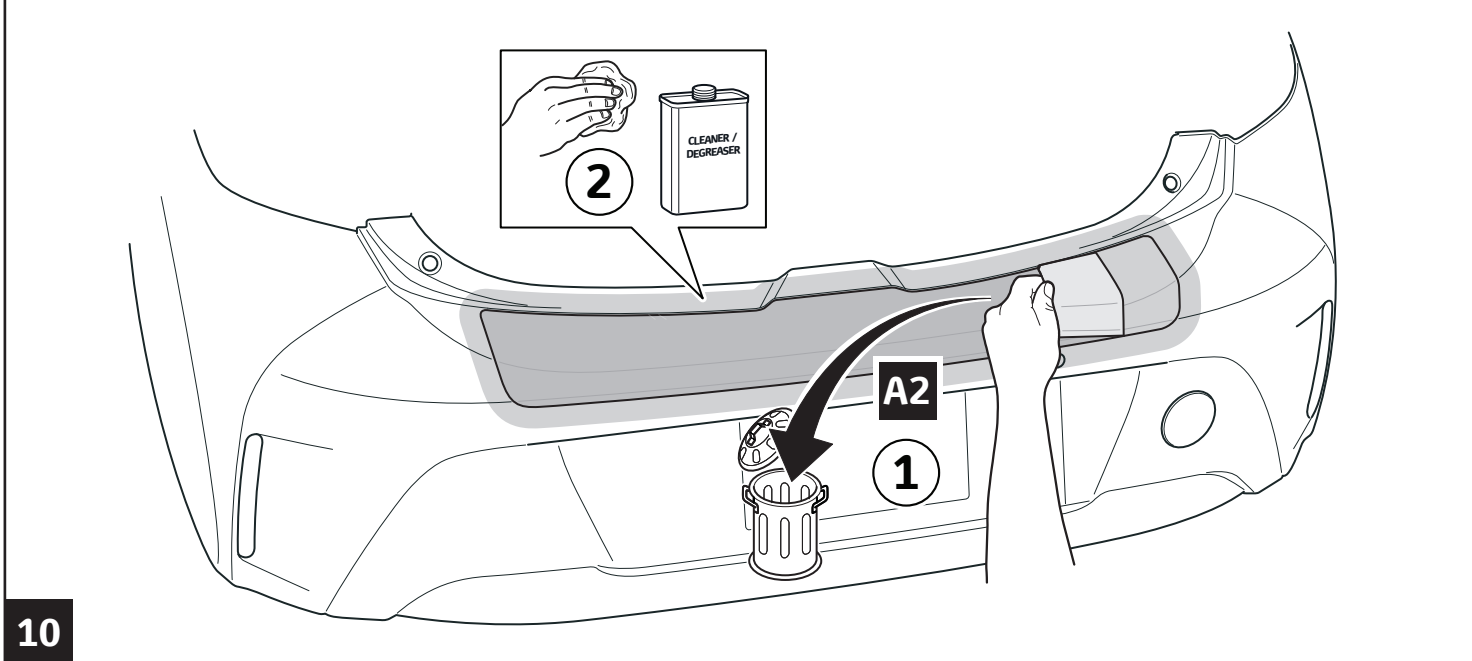
7

1



8



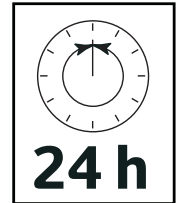
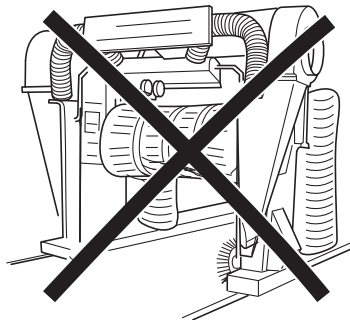
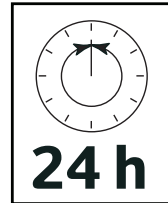
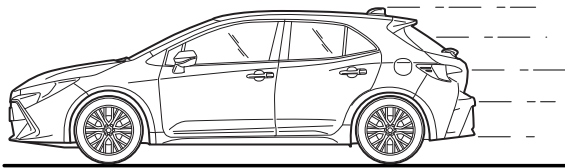
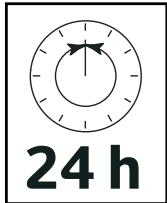


10

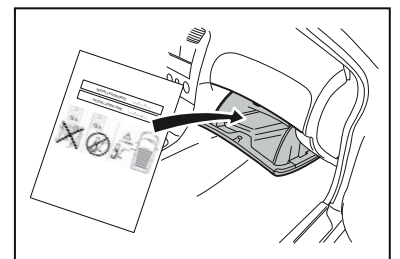
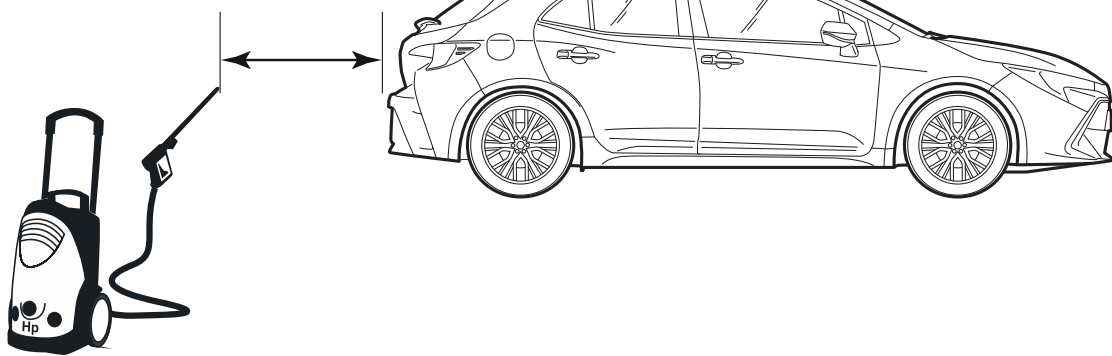


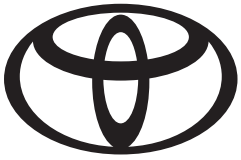
INSTALLATION DATE: ...../...../.....

INSTALLATION TIME: ...../...../.....



**> 1 meter**






# CHECK SHEET

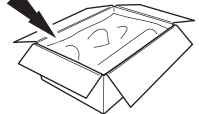
Page 1 of 1

Model/Year **Corolls (HB)**  
**As from 2019/01** Rear Bumper Protection Film

VINn°



## DURING INSTALLATION

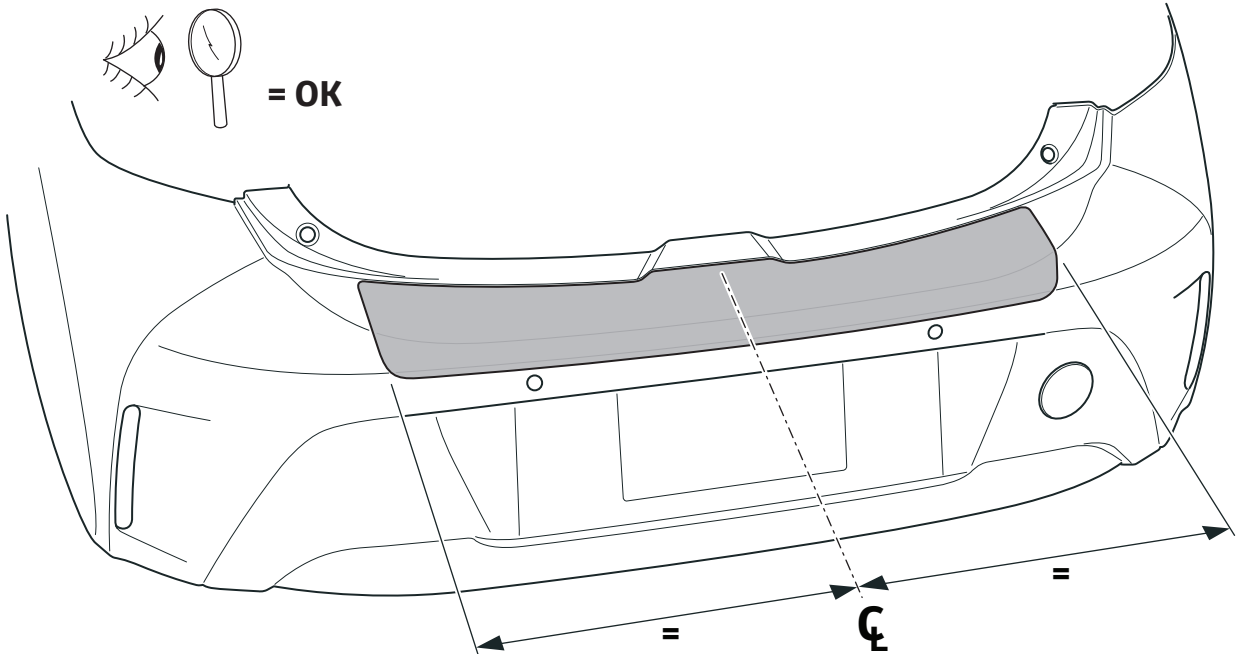
 **P/N = OK**




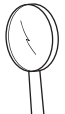

**1**

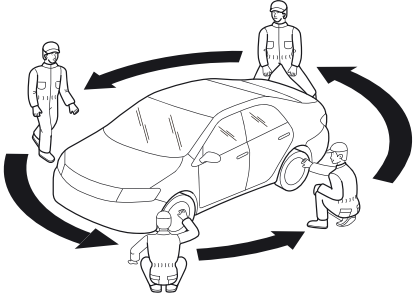
## AFTER INSTALLATION

  **= OK**




**1**

  **= OK**




**2**

Installation Date:

.. / .. / .....

Technician Name & Signature:

Stamp: